



US00D811394S

(12) **United States Design Patent**
Tabata et al.

(10) **Patent No.:** **US D811,394 S**

(45) **Date of Patent:** **** Feb. 27, 2018**

(54) **HEAD MOUNTED DISPLAY**

(71) Applicant: **Panasonic Intellectual Property Management Co., Ltd., Osaka (JP)**

(72) Inventors: **Taichi Tabata, Kanagawa (JP); Kazuhiro Konishi, Tokyo (JP); Yasutoki Manda, Kanagawa (JP); Katsuhiko Kitade, Tokyo (JP)**

(73) Assignee: **Panasonic Intellectual Property Management Co., Ltd., Osaka (JP)**

(**) Term: **15 Years**

(21) Appl. No.: **29/593,278**

(22) Filed: **Feb. 8, 2017**

(30) **Foreign Application Priority Data**

Dec. 16, 2016 (JP) 2016-027253

(51) **LOC (11) Cl.** **14-02**

(52) **U.S. Cl.**
USPC **D14/372**

(58) **Field of Classification Search**
USPC D14/372, 496, 432, 371, 125, 126, 129, D14/299; D16/300-342; 351/158, 153, 351/144; 345/7-9, 905; 455/344; 348/115, 53, 121, 739
CPC G02B 27/017; G02B 27/0158; G02B 27/0161; G02B 27/0181; G02B 27/0185; G02B 27/0189
See application file for complete search history.

(56) **References Cited**

U.S. PATENT DOCUMENTS

D727,896 S * 4/2015 Lалуque D14/372
D781,289 S * 3/2017 Patel D14/372
D783,019 S * 4/2017 Letbetter D14/372
D785,619 S * 5/2017 Su D14/372
D791,126 S * 7/2017 Sullivan D14/372

D791,127 S * 7/2017 Sullivan D14/372
D791,129 S * 7/2017 Sullivan D14/372
D795,867 S * 8/2017 Huang D14/372
D798,862 S * 10/2017 Wang D14/372
D801,970 S * 11/2017 Sullivan D14/372

* cited by examiner

Primary Examiner — Austin Murphy

(74) *Attorney, Agent, or Firm* — Panasonic IP Management; Kerry S. Culpepper

(57) **CLAIM**

We claim the ornamental design for a head mounted display, as shown and described.

DESCRIPTION

FIG. 1 is a front perspective view of a head mounted display of the present invention;
FIG. 2 is a rear perspective view thereof;
FIG. 3 is a front view thereof;
FIG. 4 is a rear view thereof;
FIG. 5 is a first side view thereof;
FIG. 6 is a second side view thereof;
FIG. 7 is a top view thereof; and,
FIG. 8 is a bottom view thereof.

The broken line showing of head mounted display is included for the purpose of illustrating environment and forms no part of the claimed design.

1 Claim, 8 Drawing Sheets

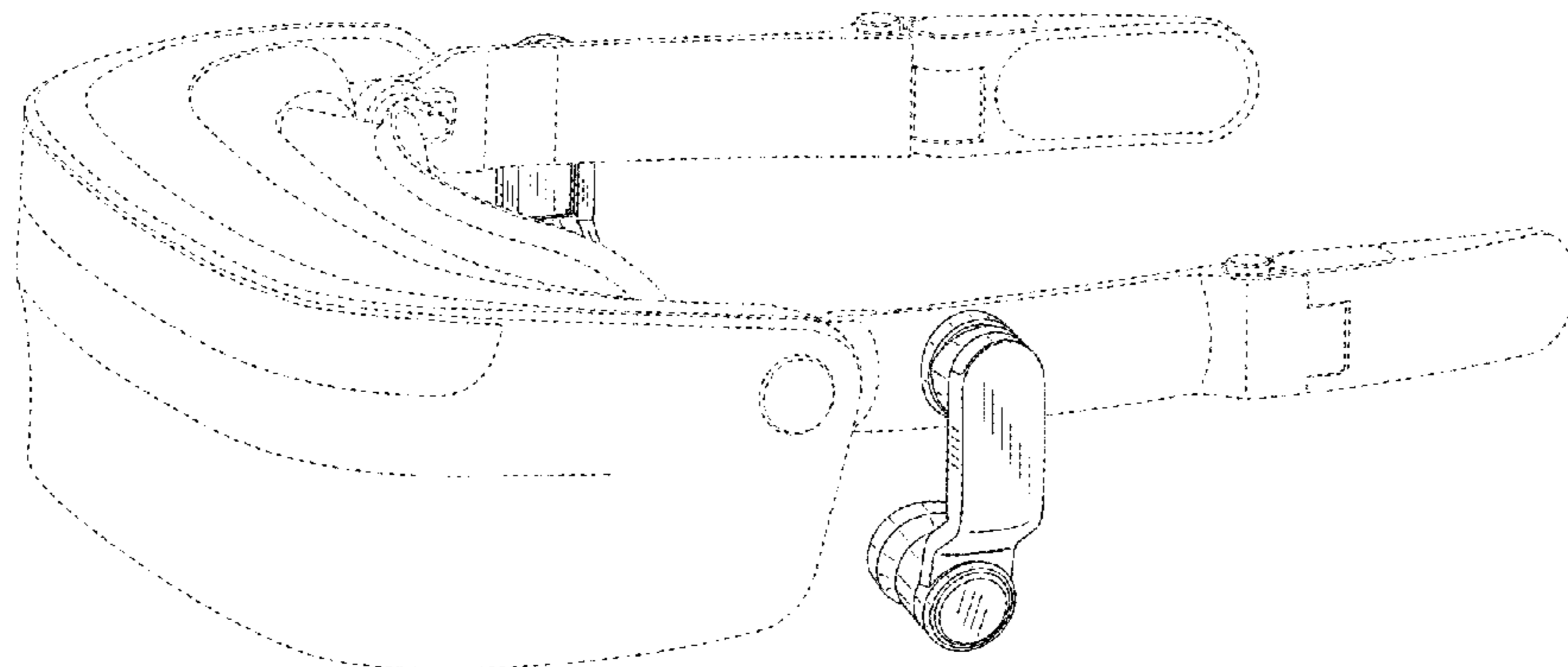


FIG. 1

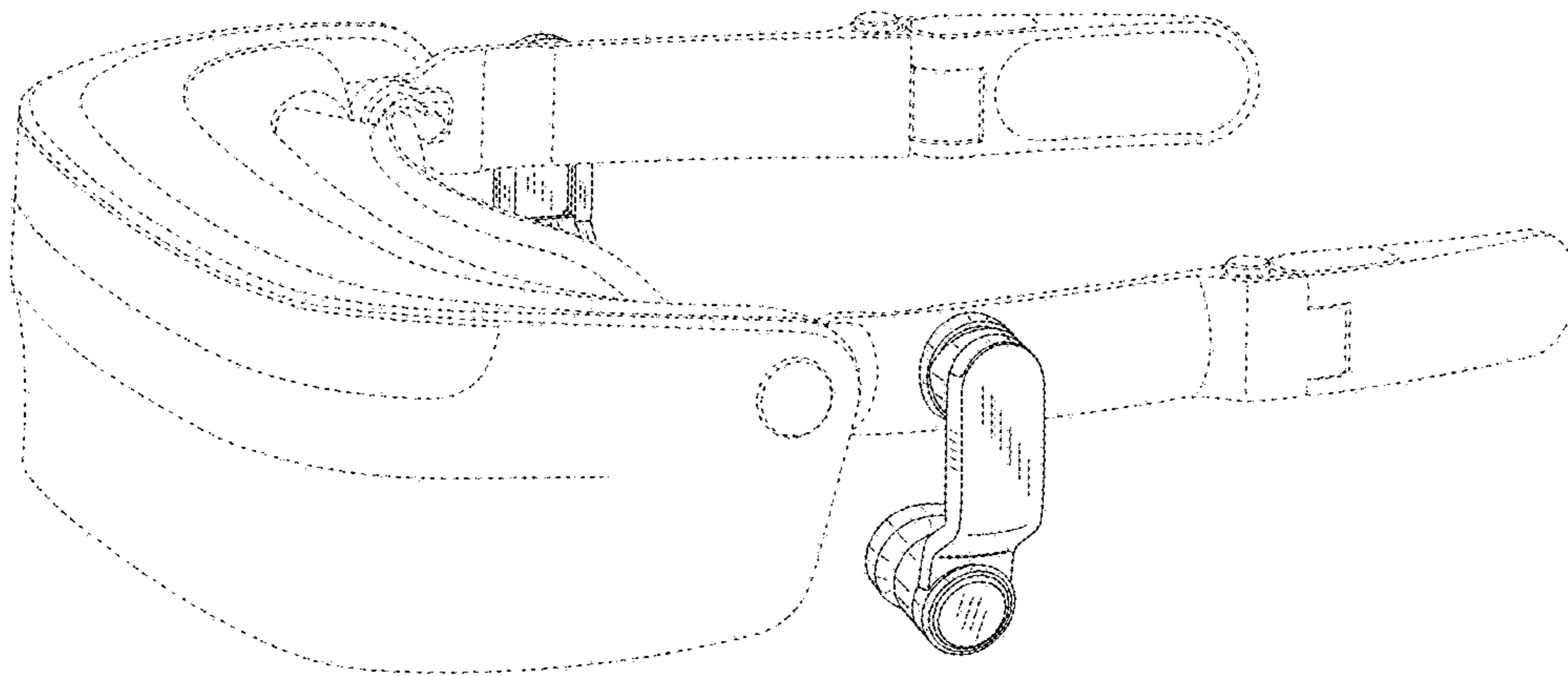


FIG. 2

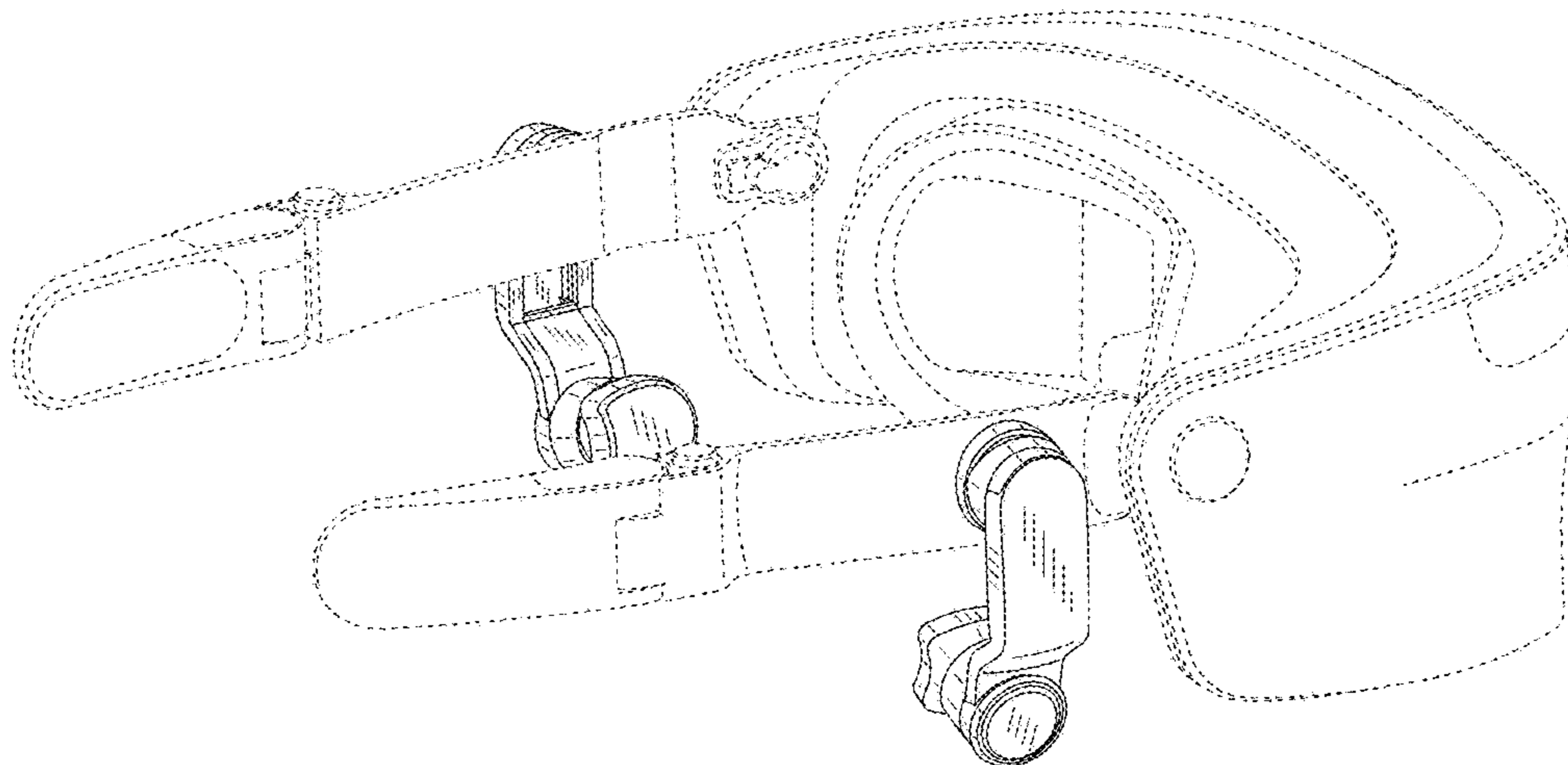


FIG. 3

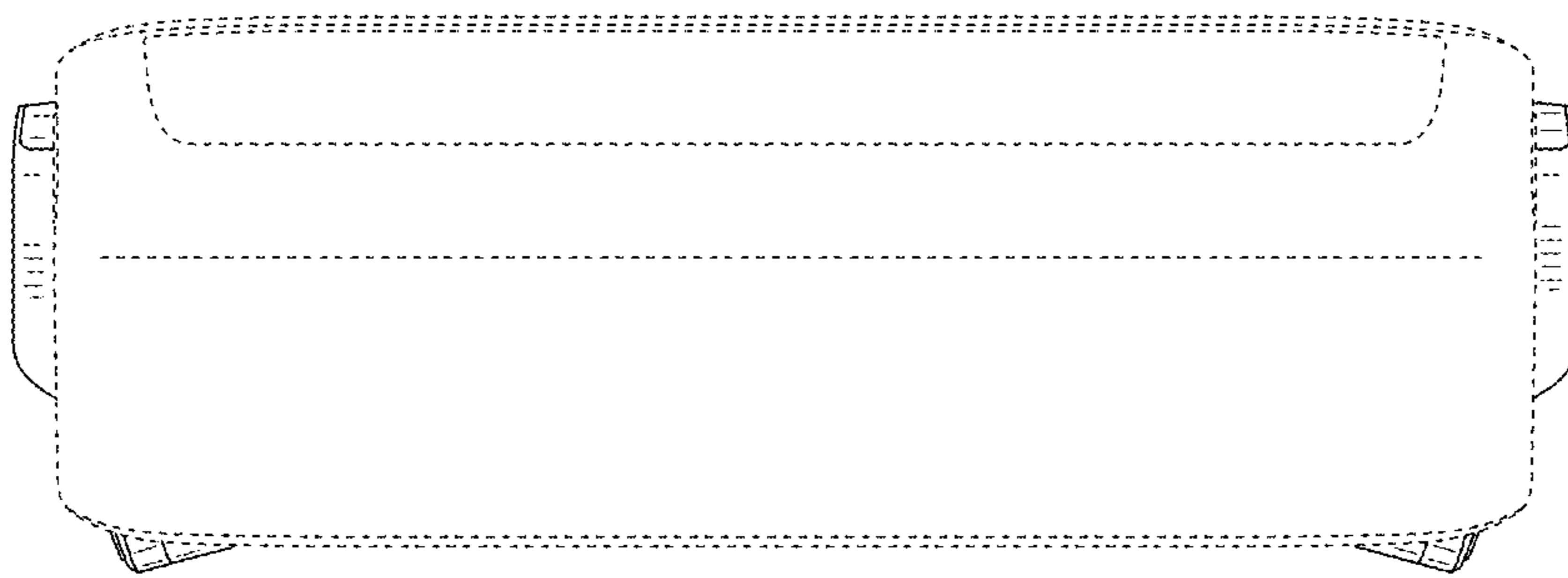


FIG. 4

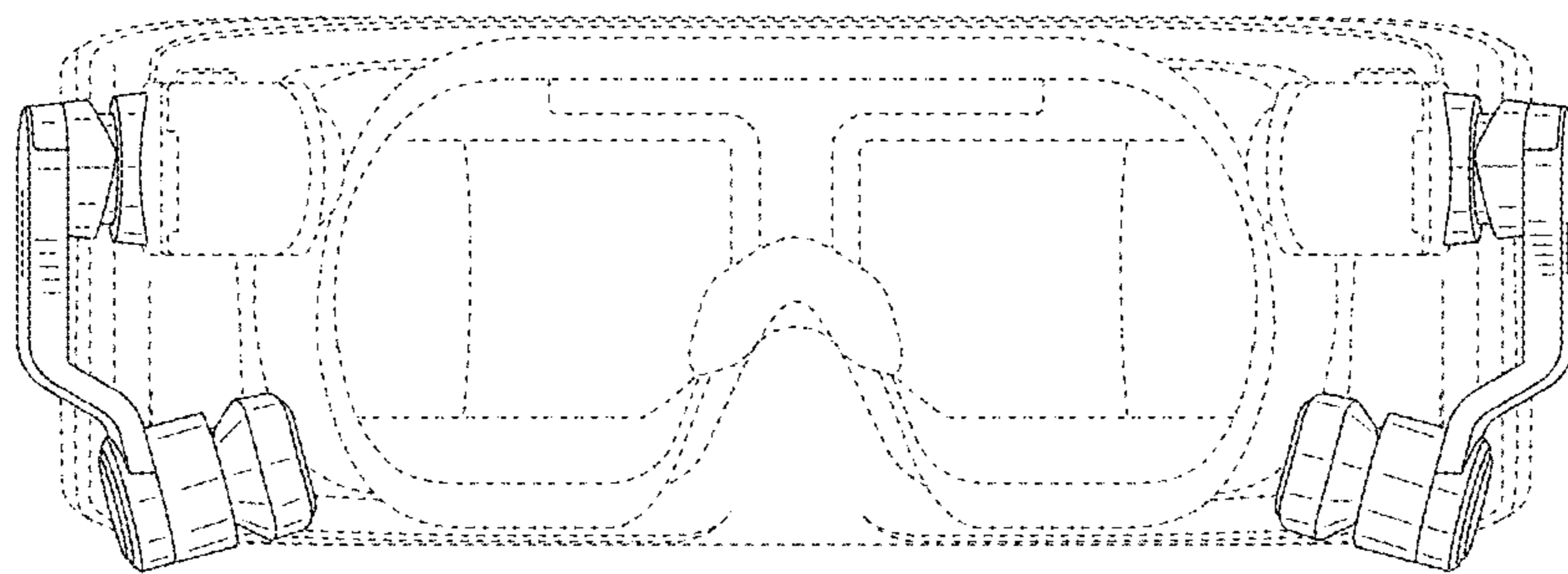


FIG. 5

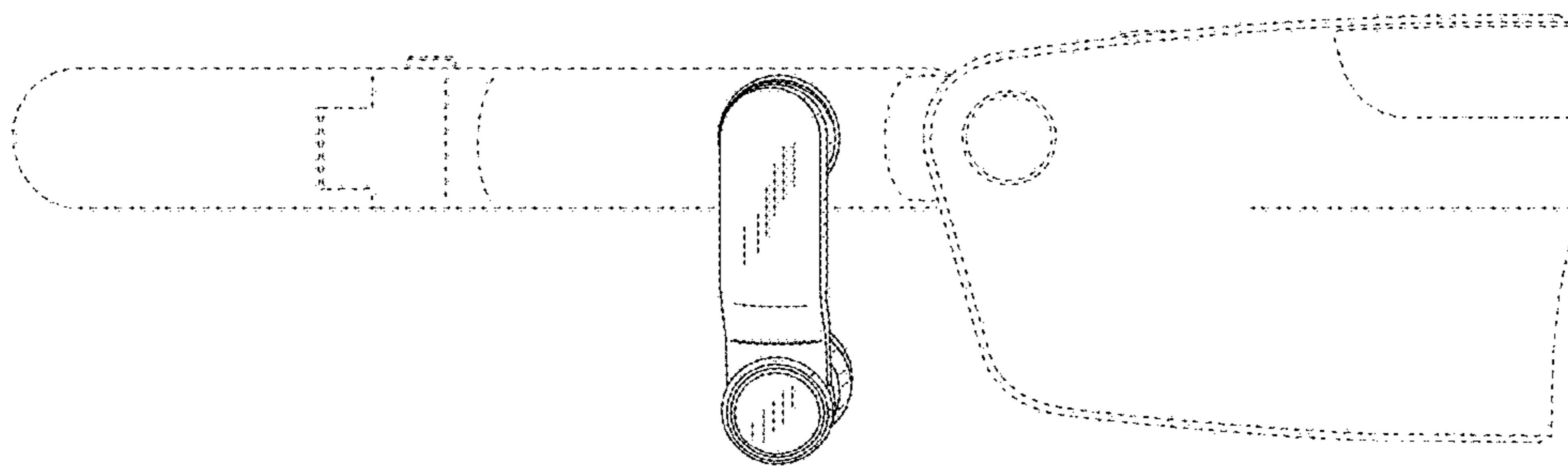


FIG. 6

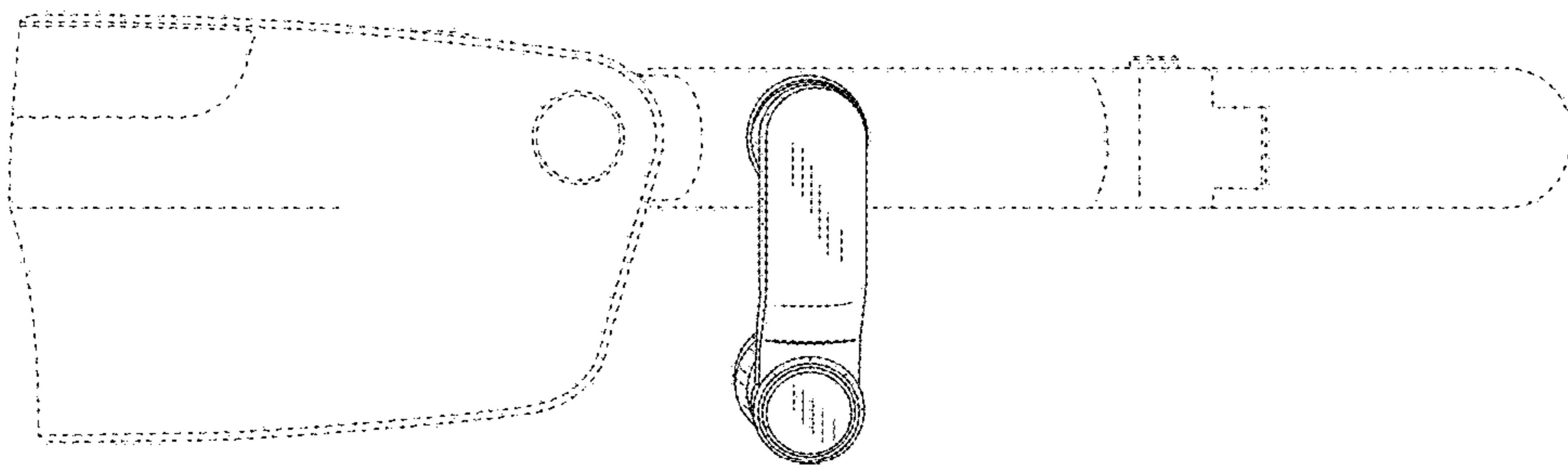


FIG. 7

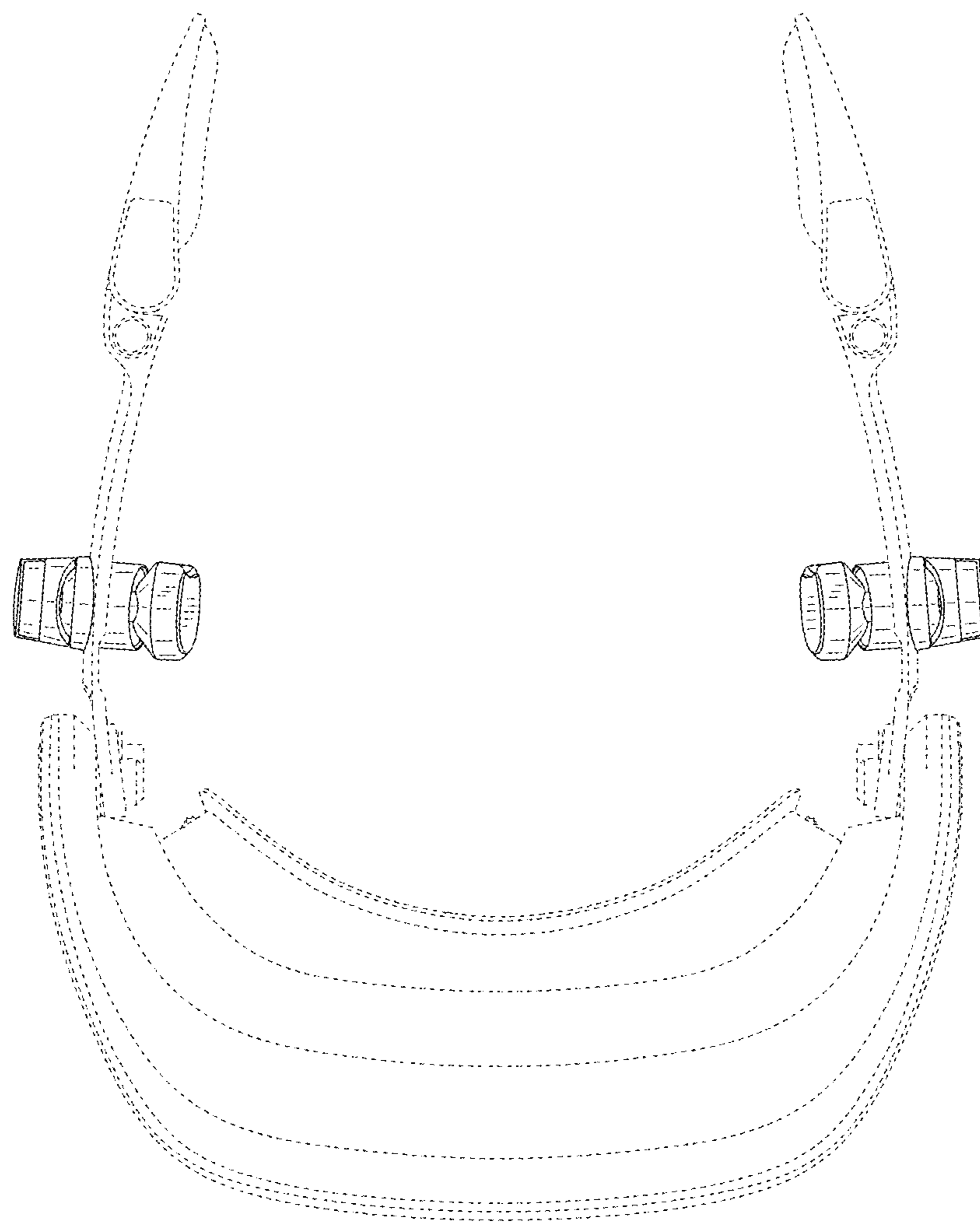


FIG. 8

