



US00D811393S

(12) **United States Design Patent**
Ahn et al.

(10) **Patent No.:** **US D811,393 S**
(45) **Date of Patent:** **** Feb. 27, 2018**

(54) **DISPLAY DEVICE**

(71) Applicants: **SAMSUNG DISPLAY CO., LTD.**,
Yongin-si (KR); **AURACOM**
DISPLAY CO., LTD., Seoul (KR)

(72) Inventors: **Sung Sang Ahn**, Hwaseong-si (KR);
Hyun-min Park, Seoul (KR)

(73) Assignees: **Samsung Display Co., Ltd.**, Yongin-si
(KR); **Auracom Display Co., Ltd.**,
Seoul (KR)

(**) Term: **15 Years**

(21) Appl. No.: **29/589,140**

(22) Filed: **Dec. 28, 2016**

(51) **LOC (11) Cl.** **14-02**

(52) **U.S. Cl.**
USPC **D14/371**; D14/345

(58) **Field of Classification Search**
USPC D14/371–375, 125–129, 336, 337,
D14/341–345; D6/300, 308; D19/113,
D19/114; D20/10

(Continued)

(56) **References Cited**

U.S. PATENT DOCUMENTS

D584,726 S * 1/2009 Morita D14/341
7,522,944 B2 * 4/2009 Hyun G06F 1/1616
455/575.1

(Continued)

FOREIGN PATENT DOCUMENTS

KR 10-2014-0091274 7/2004
KR 10-2011-0100936 9/2011

(Continued)

Primary Examiner — Freda S Nunn

(74) *Attorney, Agent, or Firm* — Lewis Roca Rothgerber
Christie LLP

(57) **CLAIM**

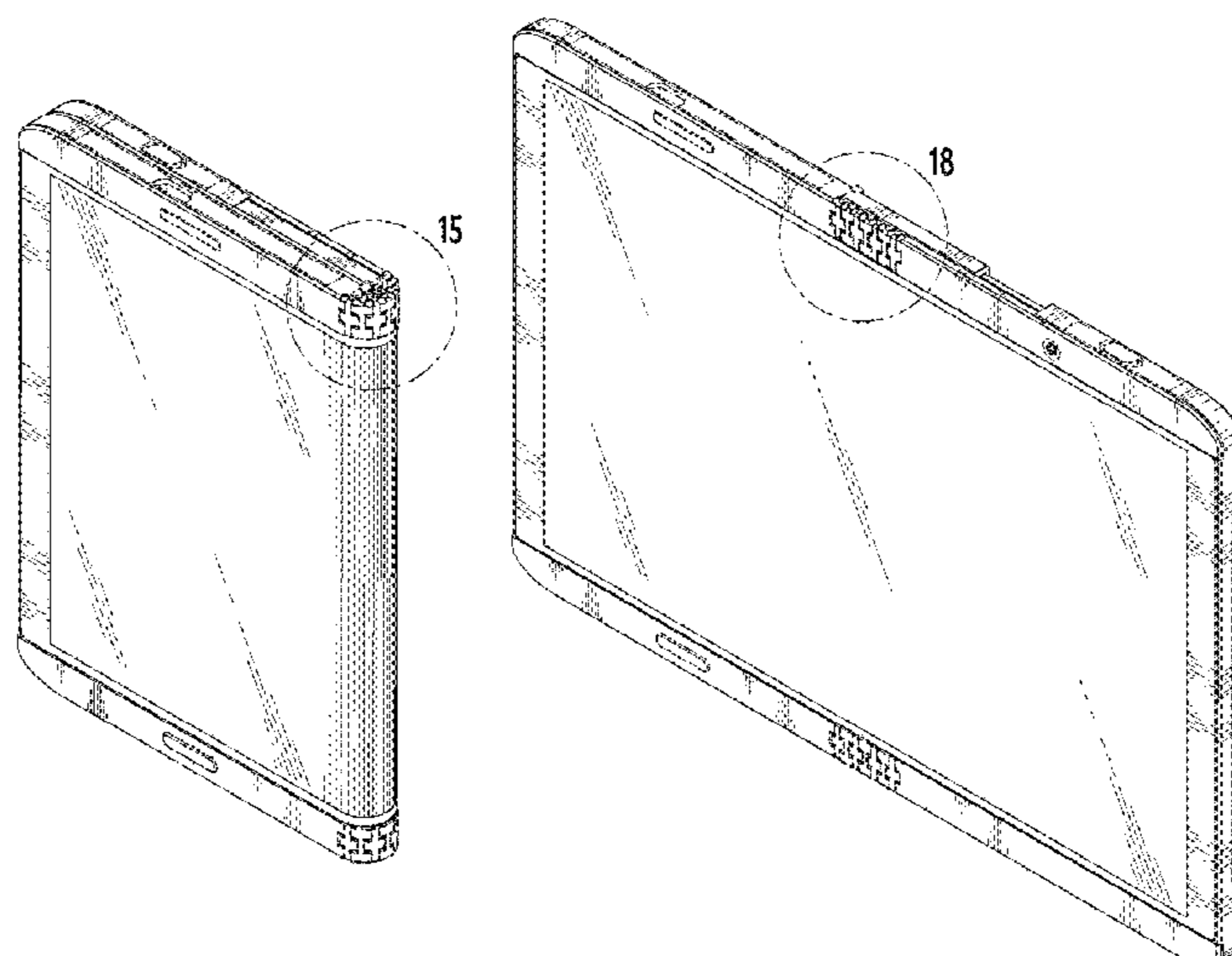
The ornamental design for display device, as shown and
described.

DESCRIPTION

FIG. 1 is a perspective view of the display device in a folded
state;
FIG. 2 is a front view thereof;
FIG. 3 is a rear view thereof;
FIG. 4 is a left side view thereof;
FIG. 5 is a right side view thereof;
FIG. 6 is a top view thereof;
FIG. 7 is a bottom view thereof;
FIG. 8 is a perspective view of the display device in an
unfolded state;
FIG. 9 is a front view thereof;
FIG. 10 is a rear view thereof;
FIG. 11 is a left side view thereof;
FIG. 12 is a right side view thereof;
FIG. 13 is a top view thereof;
FIG. 14 is a bottom view thereof;
FIG. 15 is an enlarged view of the circled portion of the
perspective view of FIG. 1, enlarged for magnification
purposes;
FIG. 16 is an enlarged view of the circled portion of the top
view of FIG. 6, enlarged for magnification purposes;
FIG. 17 is an enlarged view of the circled portion of the
bottom view of FIG. 7, enlarged for magnification purposes;
FIG. 18 is an enlarged view of the circled portion of the
perspective view of FIG. 8, enlarged for magnification
purposes;
FIG. 19 is an enlarged view of the circled portion of the top
view of FIG. 13, enlarged for magnification purposes; and,
FIG. 20 is an enlarged view of the circled portion of the
bottom view of FIG. 14, enlarged for magnification
purposes.

The broken lines shown in the drawings illustrate portions
the display device that form no part of the claimed design.

1 Claim, 20 Drawing Sheets



(58) **Field of Classification Search**

CPC G09F 15/0025; G09F 15/0062; G09F 15/0068; G06F 1/16; G06F 1/1613; G06F 1/133308; G06F 1/1601; G06F 3/037; G06F 1/162; F16M 11/02; F16M 11/10; F16M 11/00; F16M 11/06; F16M 11/18; F16M 11/045; F16M 11/105; F16M 11/041; F16M 11/126; F16M 11/04; F16M 11/24; F16M 13/02; A47F 5/00

See application file for complete search history.

2007/0242421	A1*	10/2007	Goschin	G06F 1/1616 361/679.27
2010/0182265	A1*	7/2010	Kim	G06F 1/1616 345/173
2012/0002360	A1*	1/2012	Seo	G06F 1/1616 361/679.01
2012/0206896	A1*	8/2012	Suzuki	G06F 1/1616 361/807
2013/0342090	A1	12/2013	Ahn et al.	
2014/0029212	A1	1/2014	Hwang et al.	
2015/0029683	A1*	1/2015	Kim	H01L 27/326 361/749

(56)

References Cited

U.S. PATENT DOCUMENTS

D631,458 S * 1/2011 Liao D14/138 G
 D710,354 S * 8/2014 Ahn D14/345
 D750,063 S * 2/2016 Chung D14/341

FOREIGN PATENT DOCUMENTS

KR	10-2012-0081502	7/2012
KR	10-2013-0073331	7/2013
KR	10-2014-0001376	1/2014
KR	10-2014-0015881	2/2014

* cited by examiner

FIG. 1

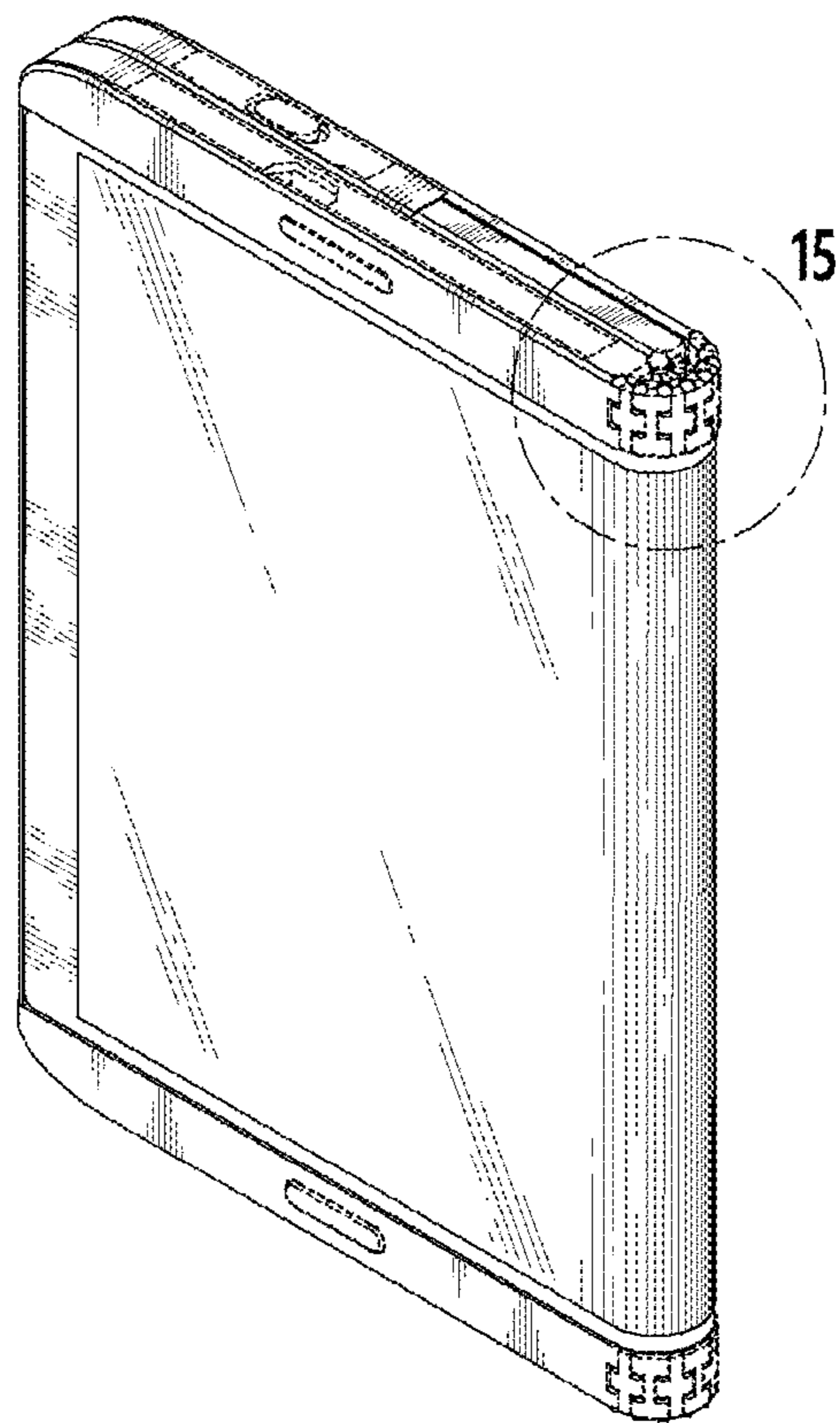


FIG. 2

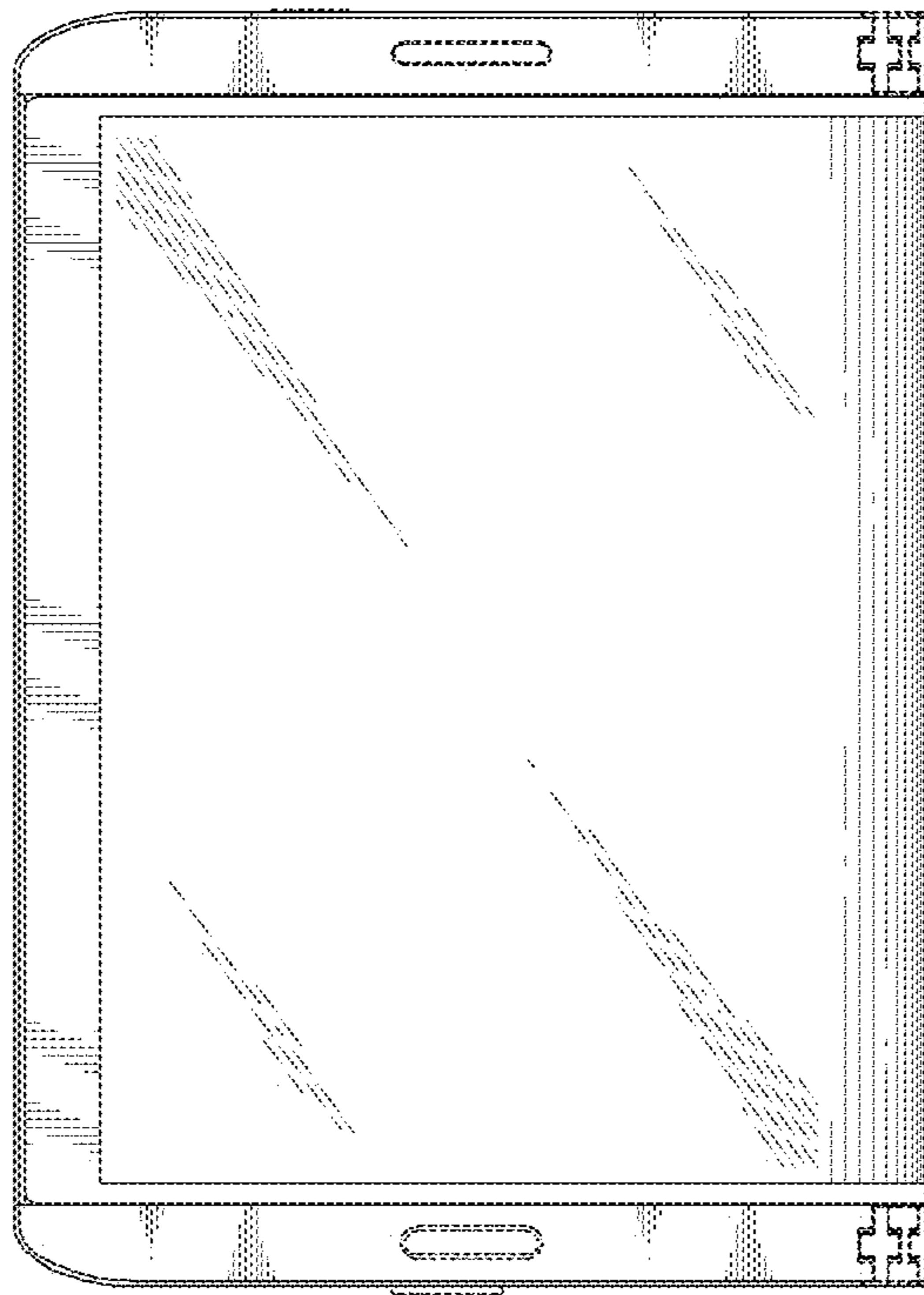


FIG. 3

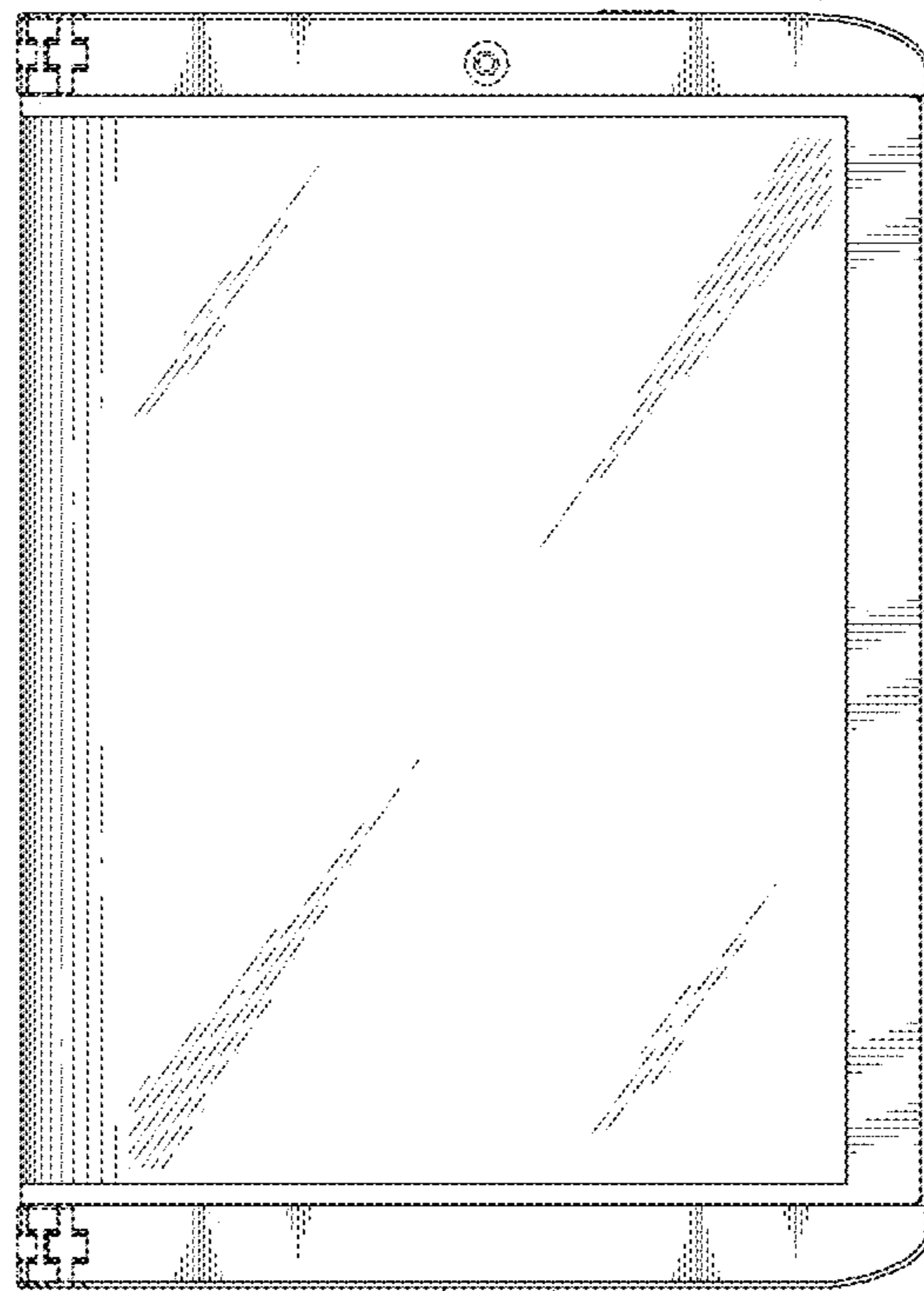


FIG. 4

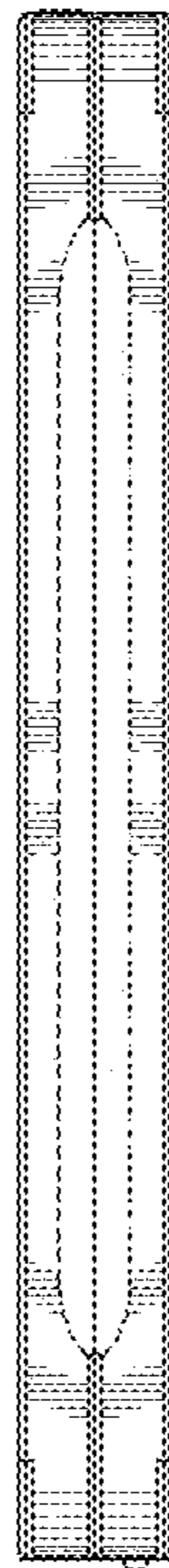


FIG. 5

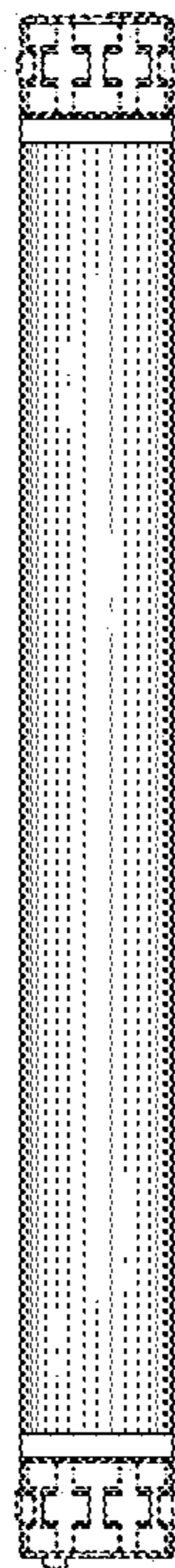


FIG. 6

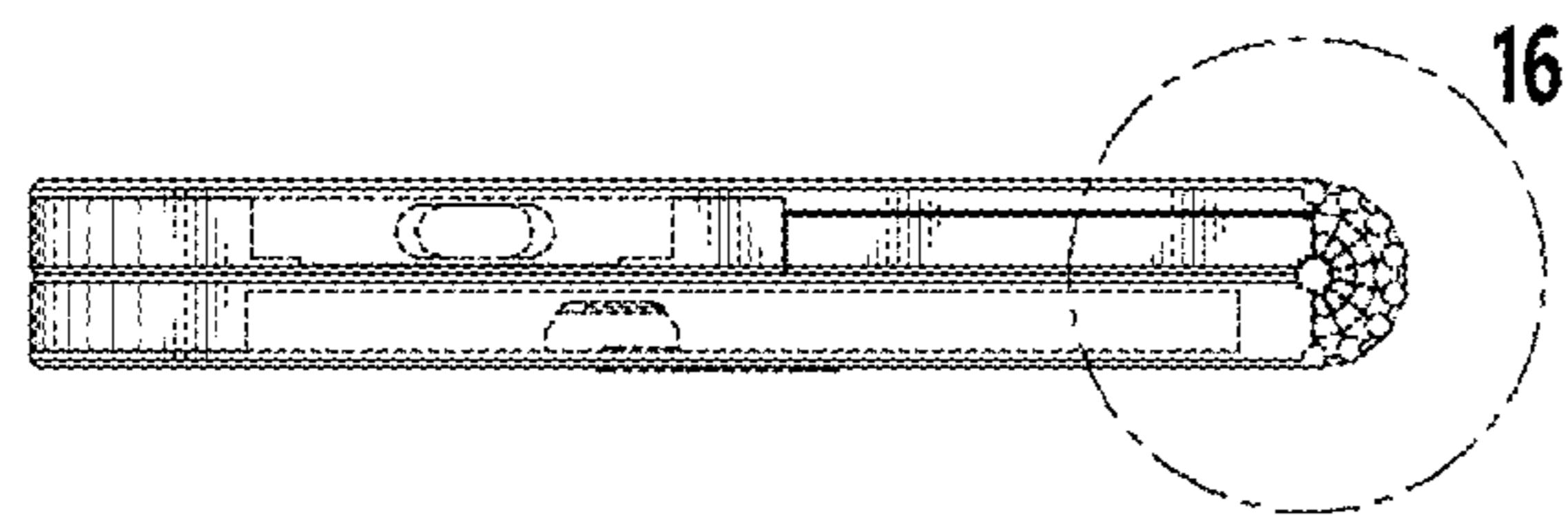


FIG. 7

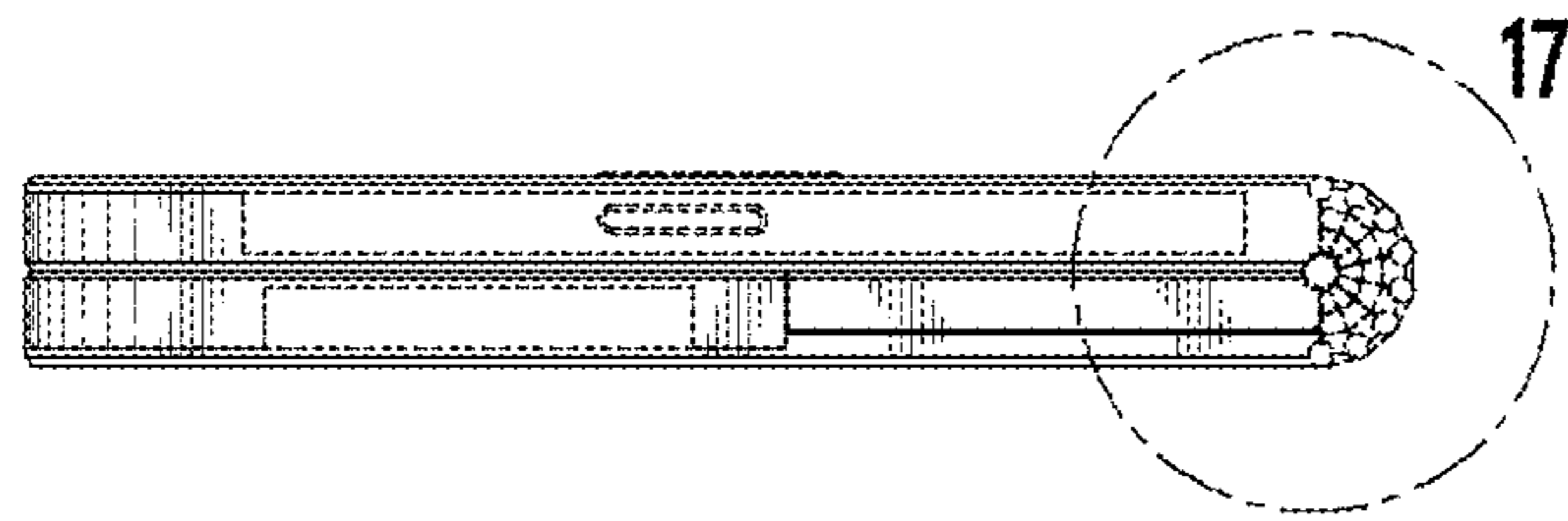


FIG. 8

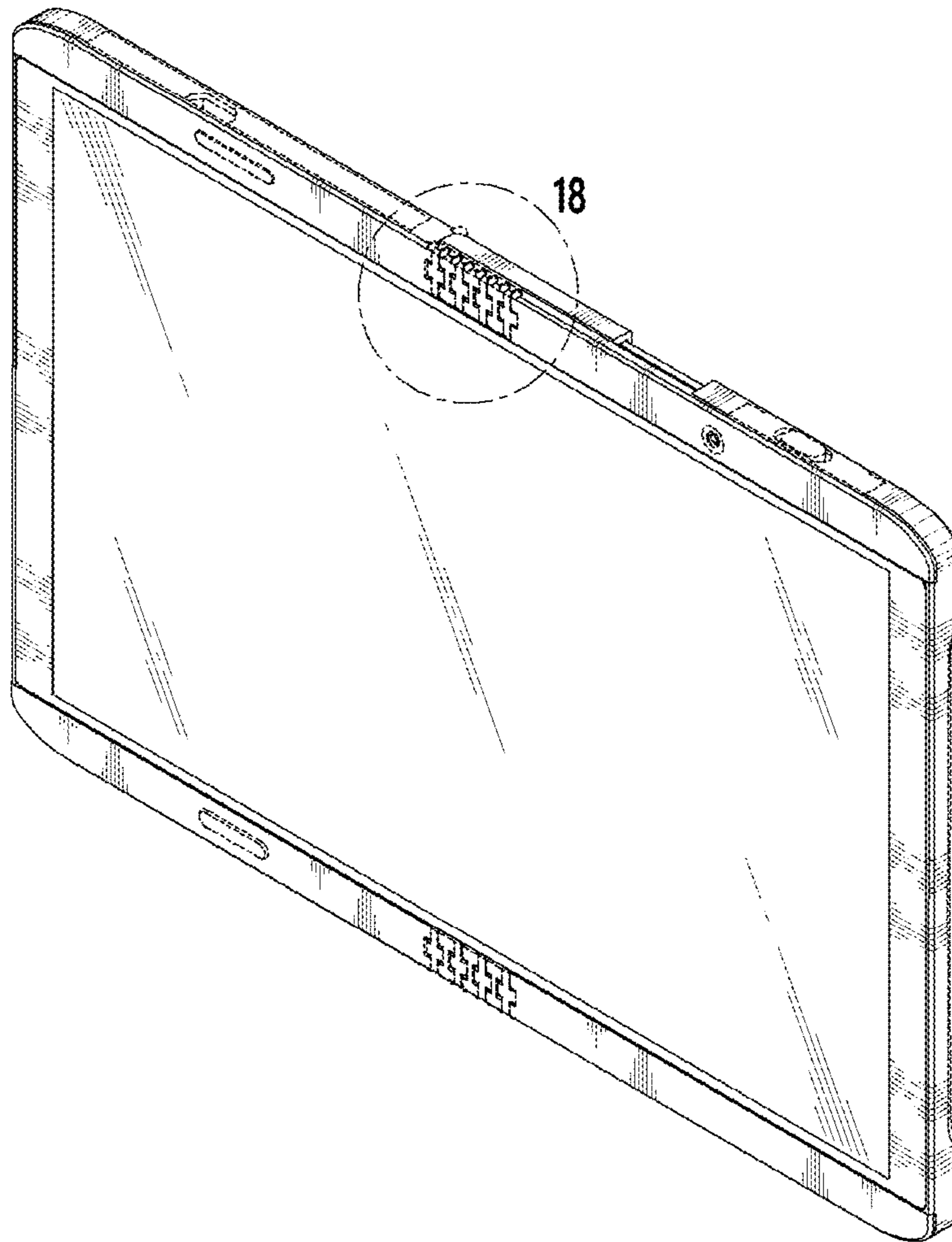


FIG. 9

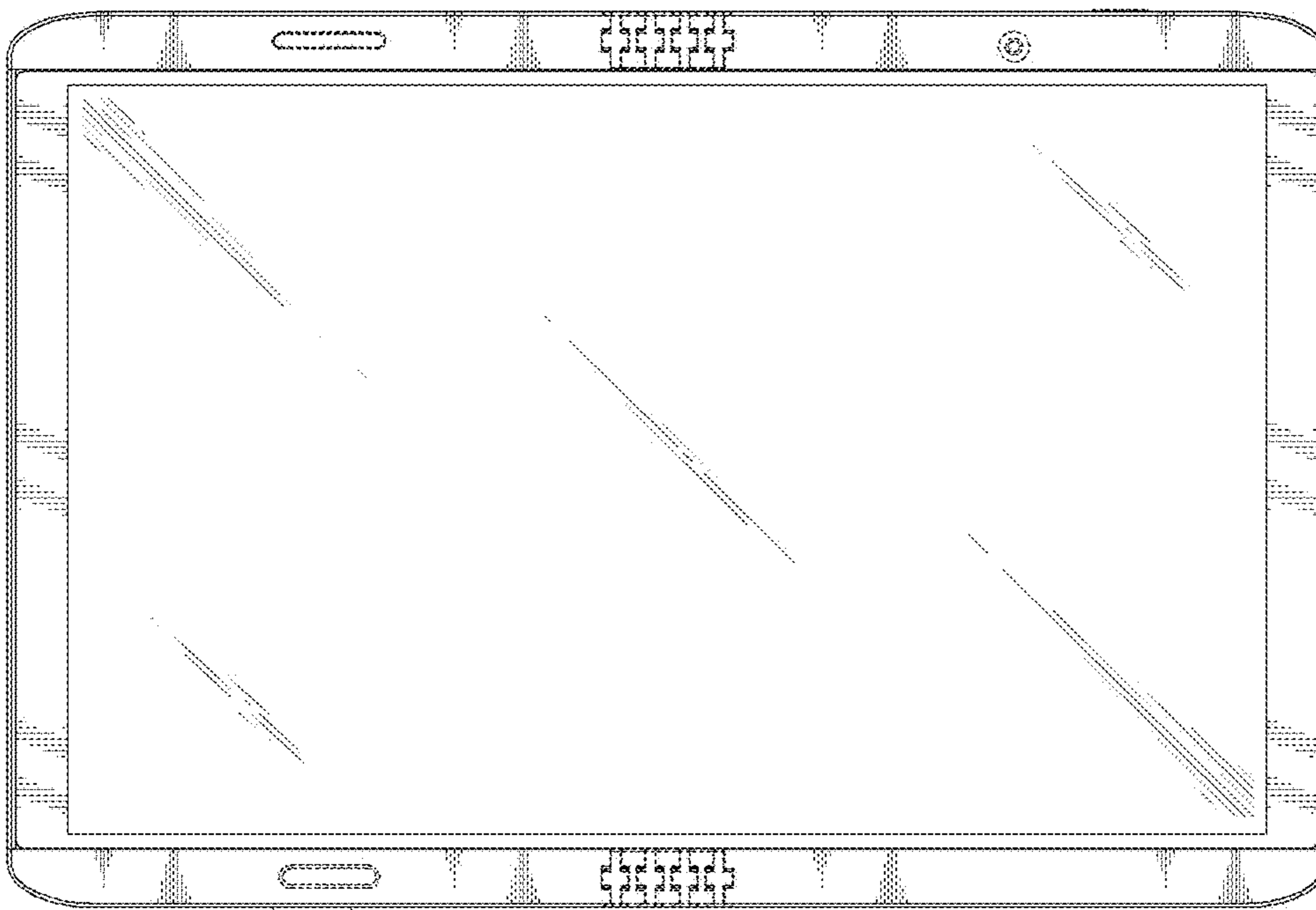


FIG. 10

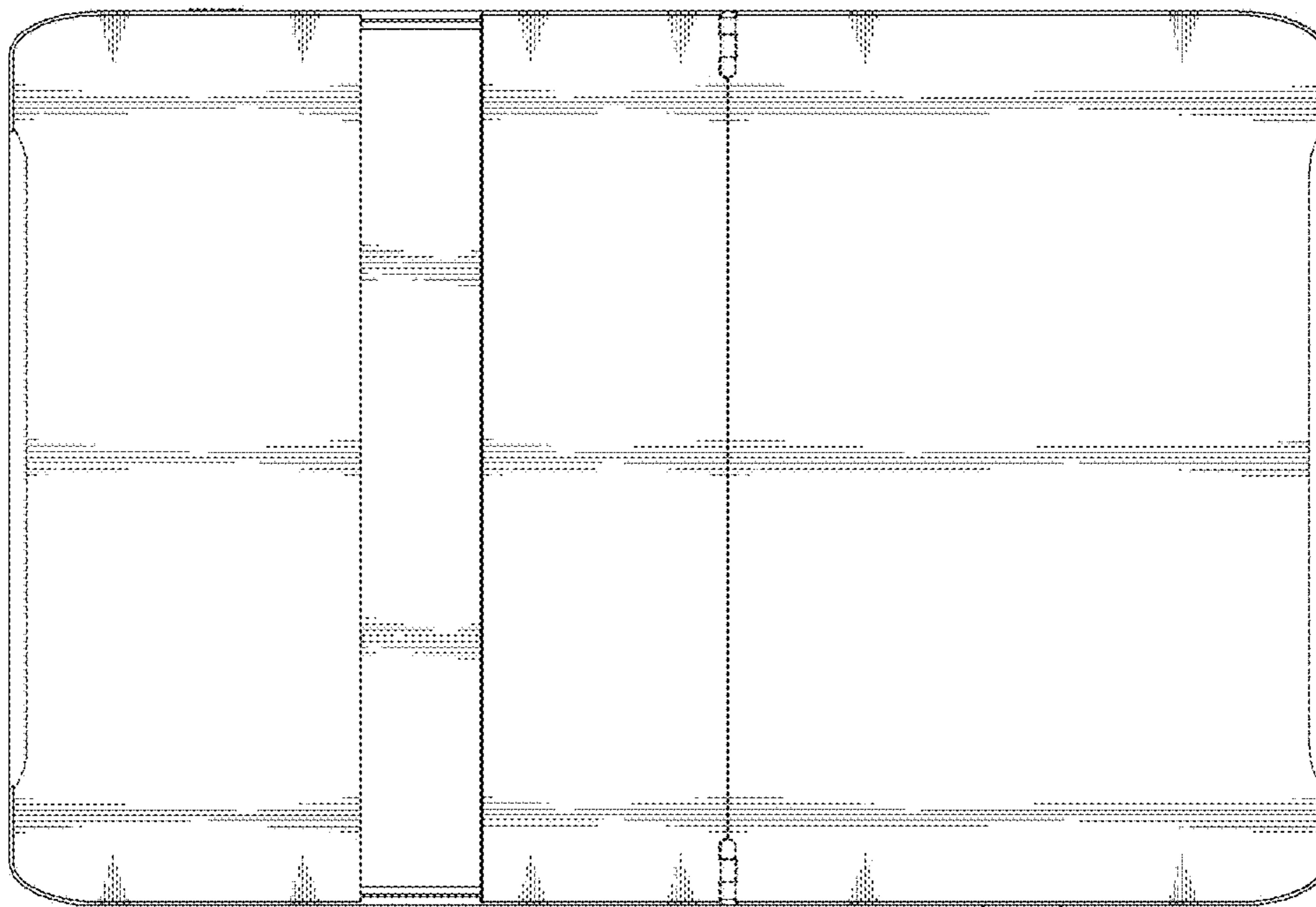


FIG. 11

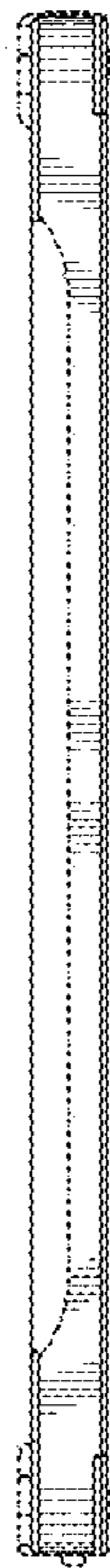


FIG. 12

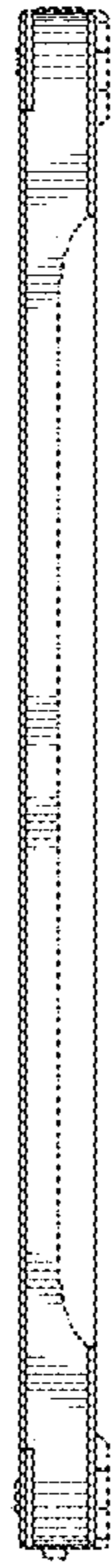


FIG. 13

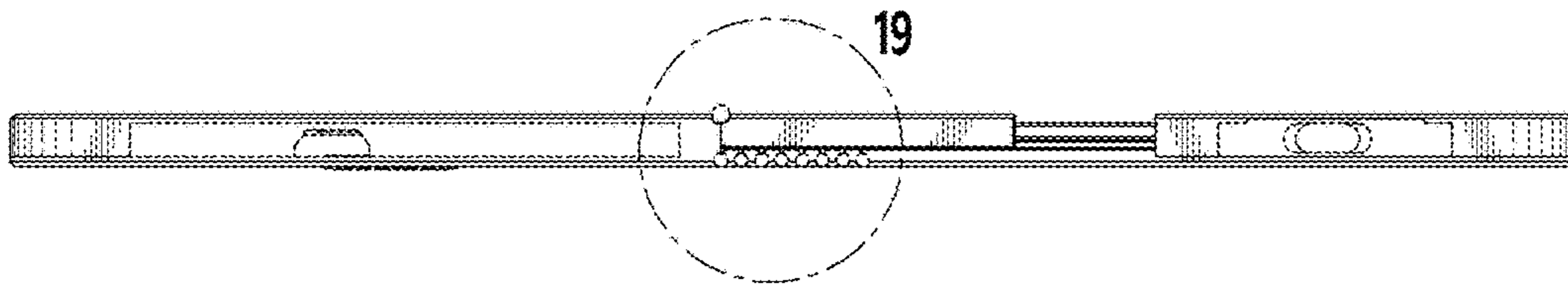


FIG. 14

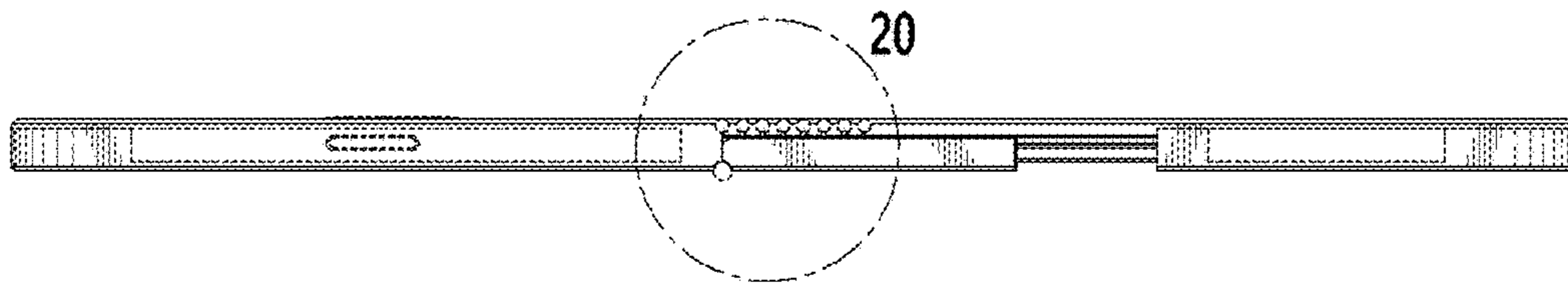


FIG. 15

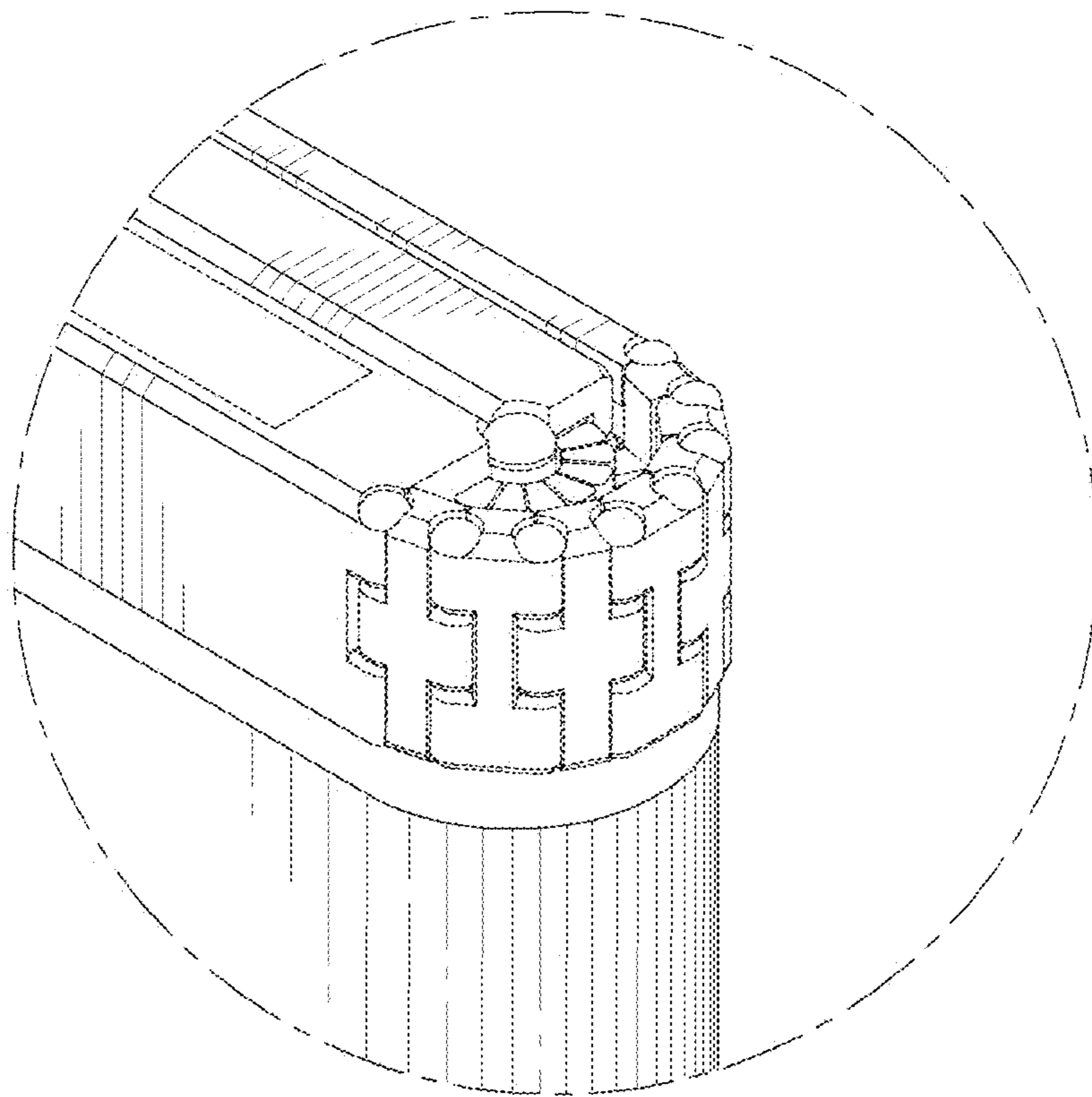


FIG. 16

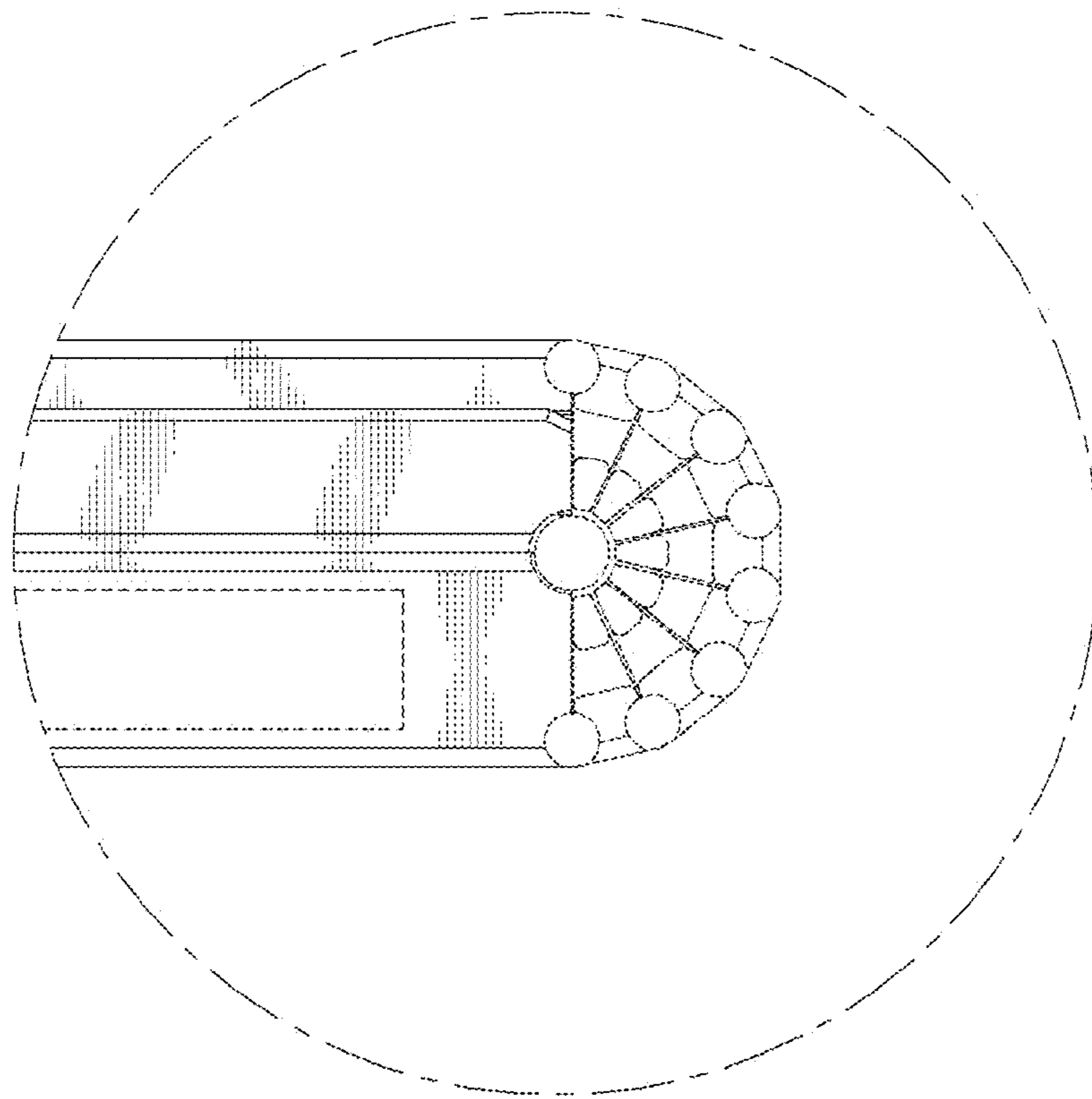


FIG. 17

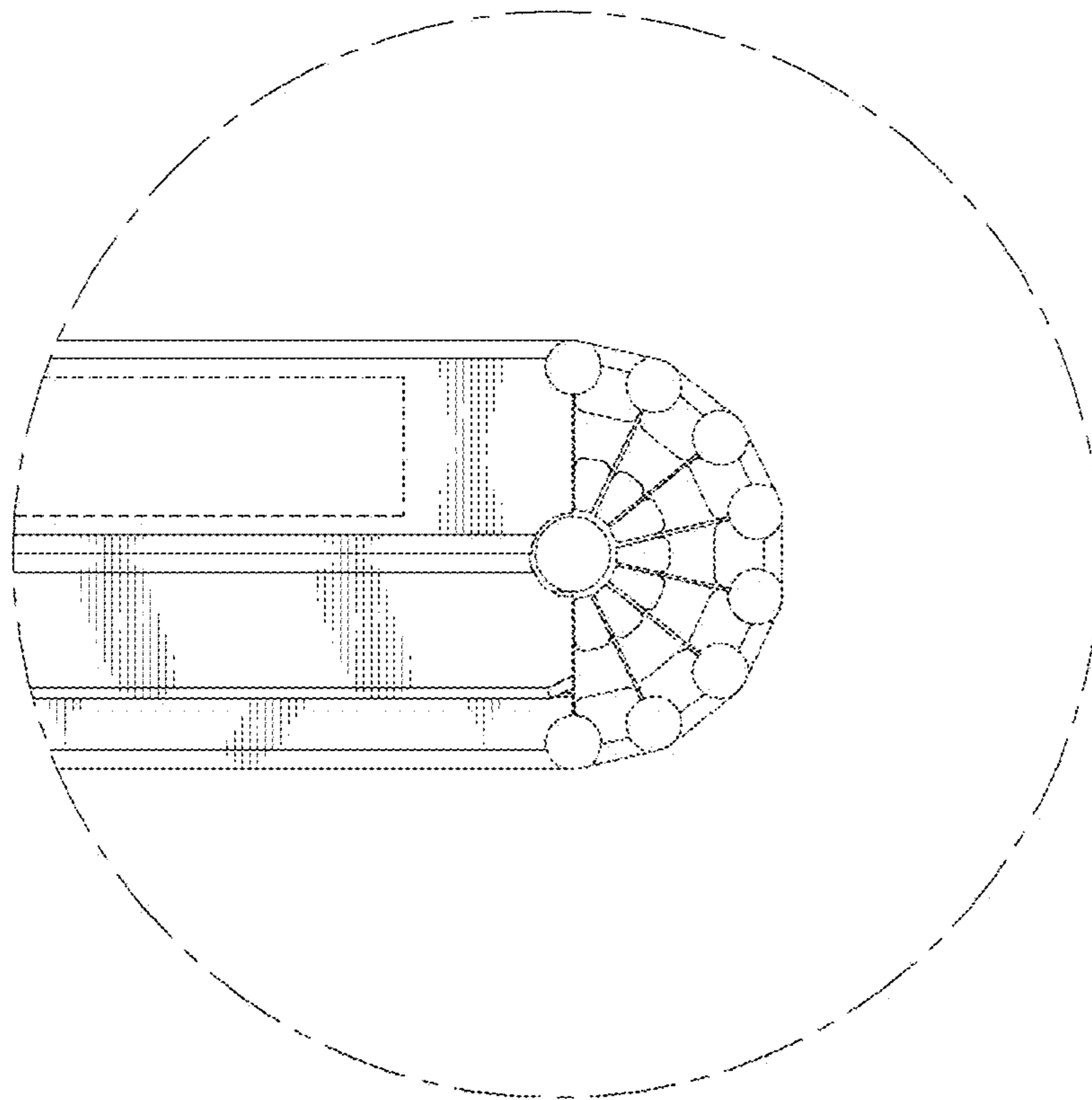


FIG. 18

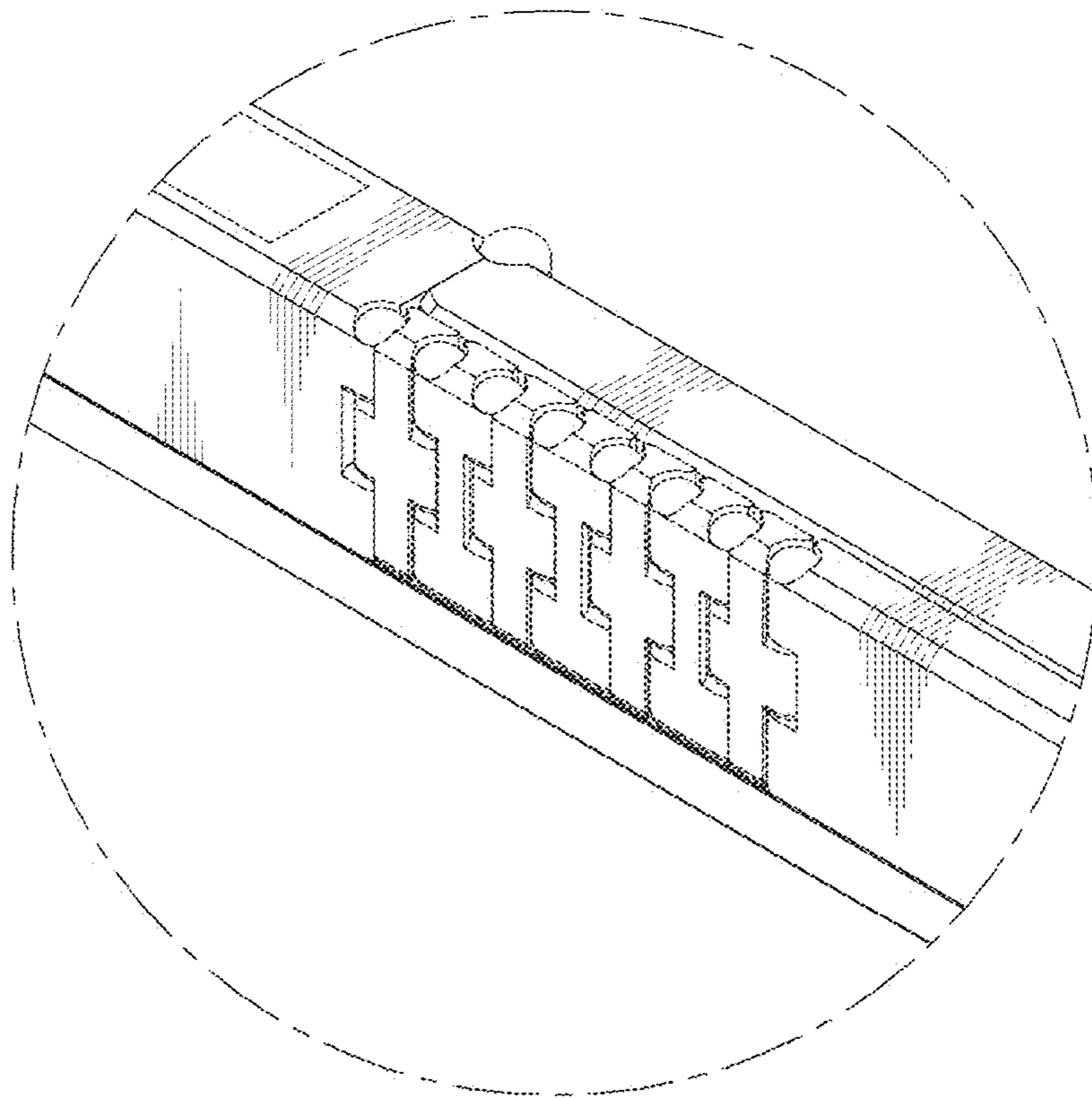


FIG. 19

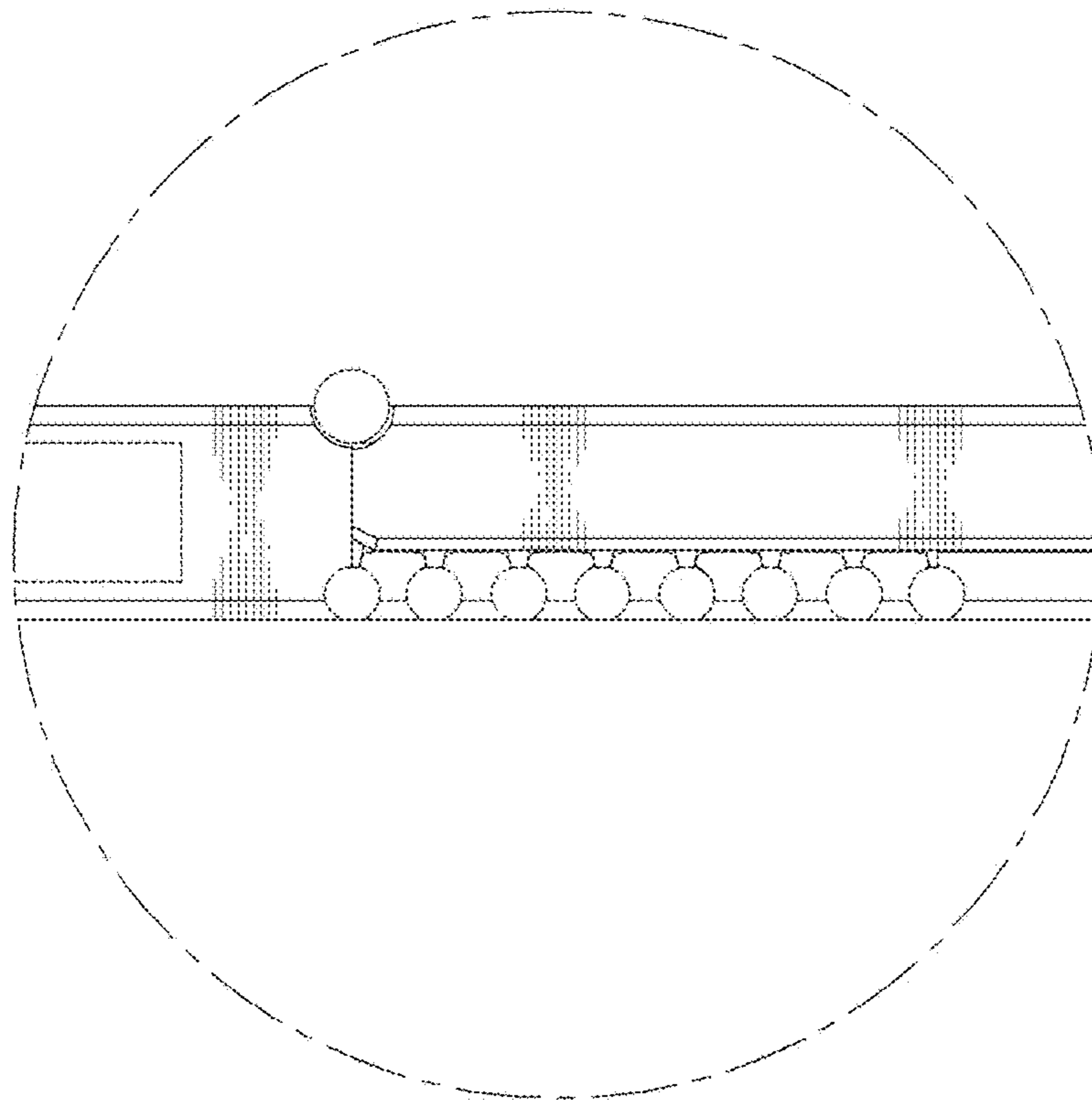


FIG. 20

