



US00D811392S

(12) **United States Design Patent**
Lu et al.

(10) **Patent No.:** **US D811,392 S**

(45) **Date of Patent:** **** Feb. 27, 2018**

(54) **SMART HOME CONTROL DEVICE**

(71) Applicants: **NANNING FUGUI PRECISION INDUSTRIAL CO., LTD.**, Nanning (CN); **HON HAI PRECISION INDUSTRY CO., LTD.**, New Taipei (TW)

(72) Inventors: **Yi-Wen Lu**, New Taipei (TW); **Chih-Ling Lin**, New Taipei (TW); **Yu-Ying Chou**, New Taipei (TW)

(73) Assignees: **NANNING FUGUI PRECISION INDUSTRIAL CO., LTD.**, Nanning (CN); **HON HAI PRECISION INDUSTRY CO., LTD.**, New Taipei (TW)

(**) Term: **15 Years**

(21) Appl. No.: **29/587,719**

(22) Filed: **Dec. 15, 2016**

(51) **LOC (11) Cl.** **14-02**

(52) **U.S. Cl.**
USPC **D14/358**; D14/240; D13/168

(58) **Field of Classification Search**
USPC D13/162, 168, 184; D14/216, 218, 240, D14/358; D10/49, 50, 52
CPC H03J 1/0025; H03J 9/00; H03J 9/02; H03J 9/04; H03J 9/06; H04B 1/202; G06F 1/181; G05B 11/01; G08C 17/00; G08C 17/02; H05K 7/1424; H05K 7/1427; H05K 7/16; H01Q 1/007; H04W 52/0206; H04W 88/08; H04W 88/085; H04W 88/10; H04W 88/12; H04W 88/16; H04L 67/306

See application file for complete search history.

(56) **References Cited**

U.S. PATENT DOCUMENTS

D96,018 S * 6/1935 Cannon D14/251
D224,233 S * 7/1972 Fujita D14/371

D514,548 S * 2/2006 Chan D14/216
D540,291 S * 4/2007 Heath D14/137
D541,228 S * 4/2007 Thursfield D13/168
D600,216 S * 9/2009 Glassman D13/168
D600,569 S * 9/2009 Sadler D10/15
D626,939 S * 11/2010 Chen D14/216
D639,273 S * 6/2011 Chow D14/209.1
D659,680 S * 5/2012 Kim D14/216
D691,965 S * 10/2013 Bedolla D13/162
D693,814 S * 11/2013 Park D14/434
D695,701 S * 12/2013 Lee D14/126
D701,831 S * 4/2014 Park D13/108
D714,787 S * 10/2014 Matsuoka D14/426
D725,285 S * 3/2015 Wohlstadter D14/336
D727,877 S * 4/2015 Seoc D14/209.1
D756,811 S * 5/2016 Xiao D10/52

(Continued)

Primary Examiner — Selina Sikder

(74) Attorney, Agent, or Firm — ScienBiziP, P.C.

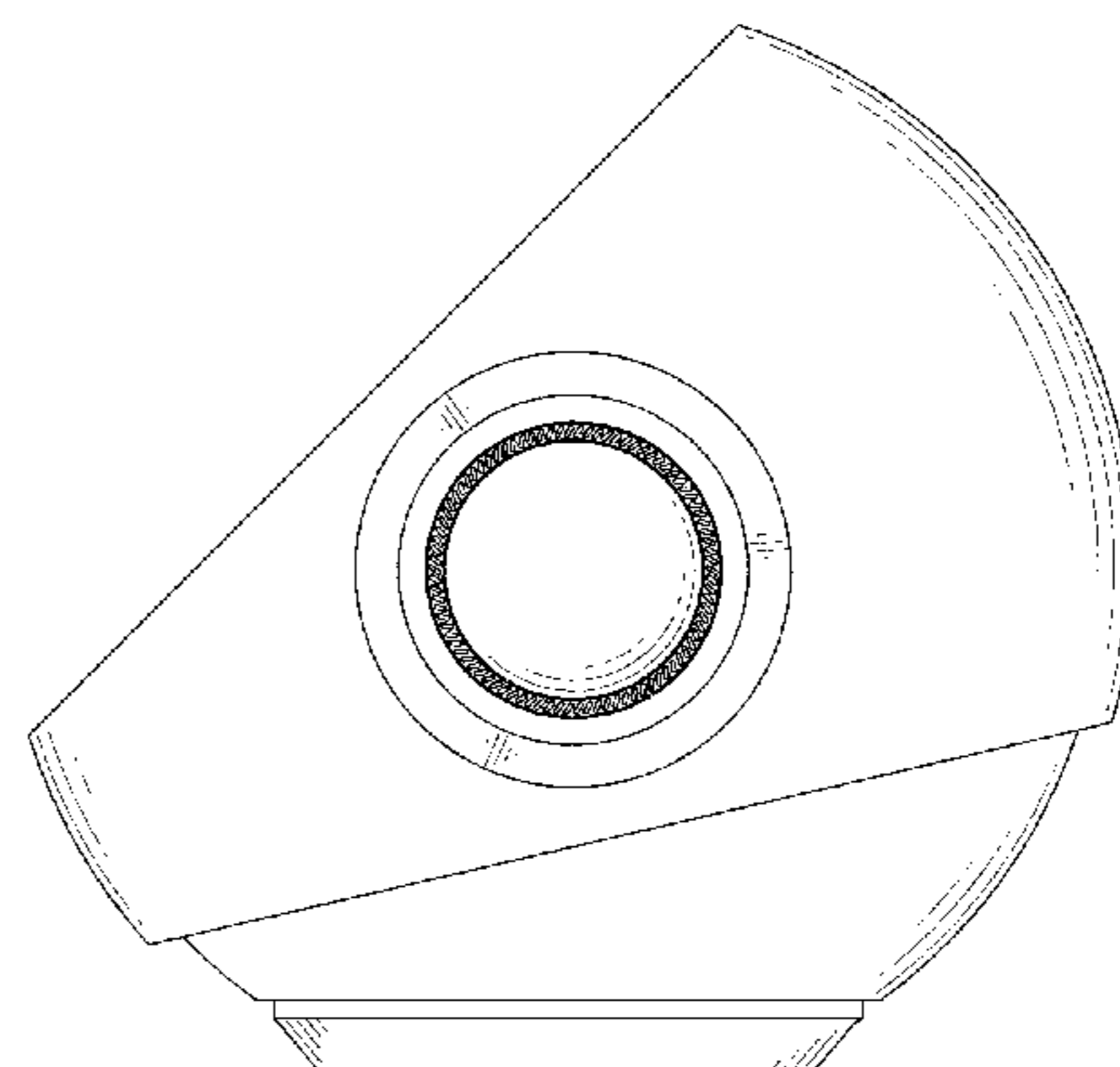
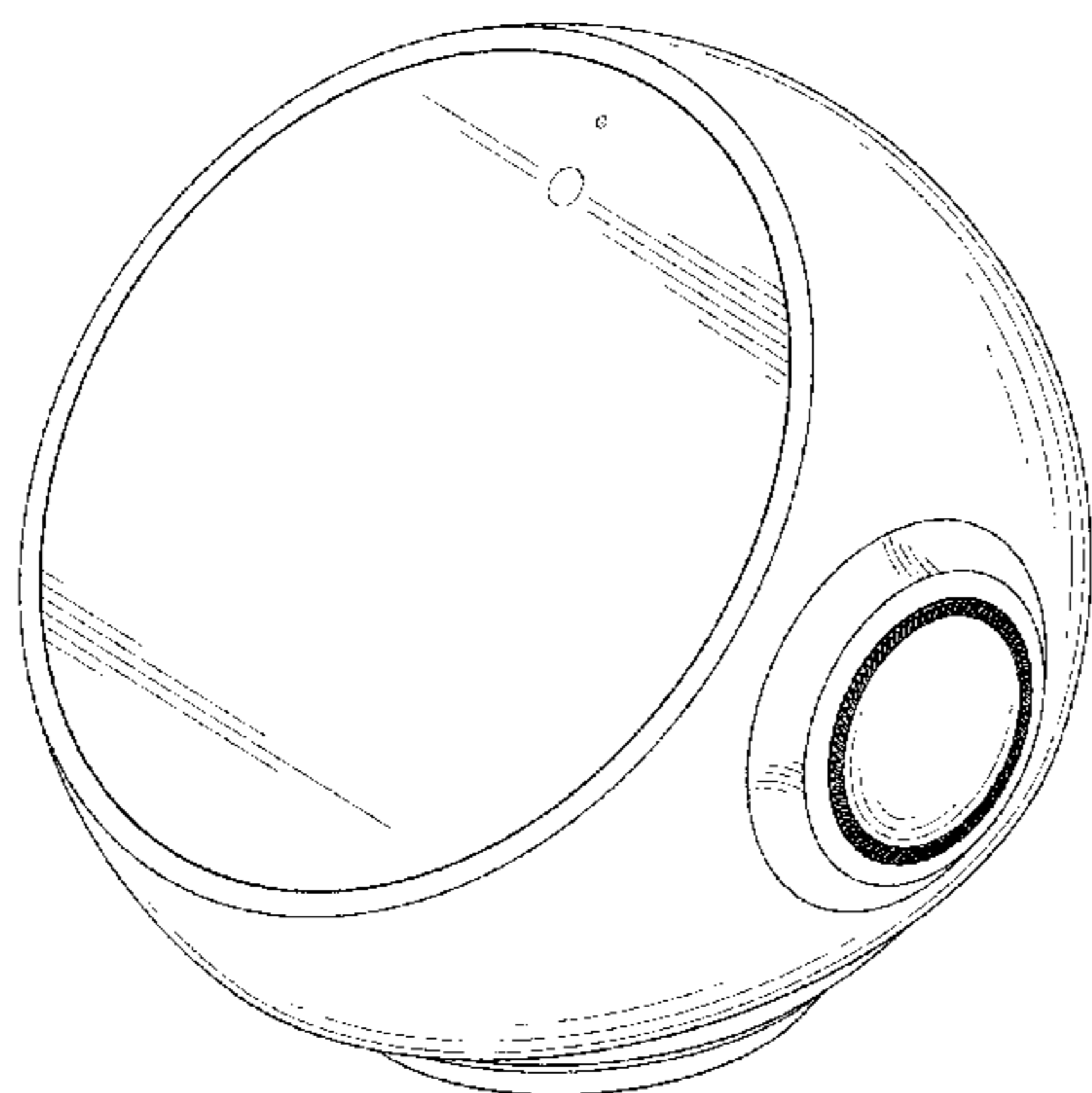
(57) **CLAIM**

The ornamental design for a smart home control device, as shown and described.

DESCRIPTION

FIG. 1 is a perspective view of a smart home control device showing our design;
FIG. 2 is a front view of the smart home control device of FIG. 1;
FIG. 3 is a rear view of the smart home control device of FIG. 1;
FIG. 4 is a left-side view of the smart home control device of FIG. 1;
FIG. 5 is a right-side view of the smart home control device of FIG. 1;
FIG. 6 is a top plan view of the smart home control device of FIG. 1; and,
FIG. 7 is a bottom plan view of the smart home control device of FIG. 1.

1 Claim, 7 Drawing Sheets



(56)

References Cited

U.S. PATENT DOCUMENTS

D776,657	S *	1/2017	Lagerstedt	D14/240
9,581,342	B2 *	2/2017	Daniels	F24D 19/10
D781,274	S *	3/2017	Kim	D14/242
D783,002	S *	4/2017	Pool	D14/218
9,791,839	B2 *	10/2017	Matsuoka	G05B 15/02
2014/0286641	A1 *	9/2014	Yee	G08C 23/04
					398/107
2014/0341585	A1 *	11/2014	Lee	G08C 17/02
					398/106
2017/0251314	A1 *	8/2017	Pye, Jr.	H04R 27/00

* cited by examiner

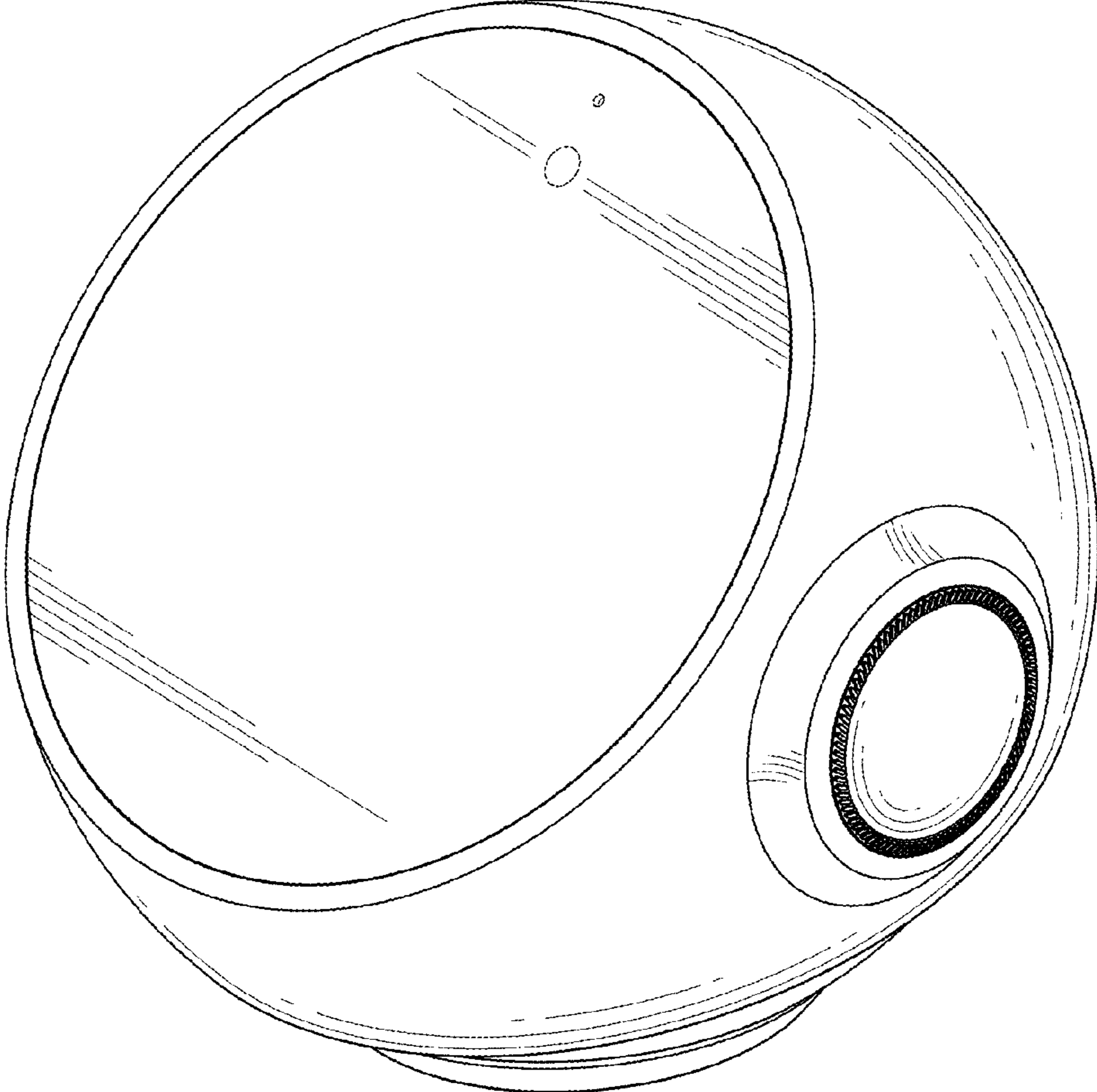


FIG. 1

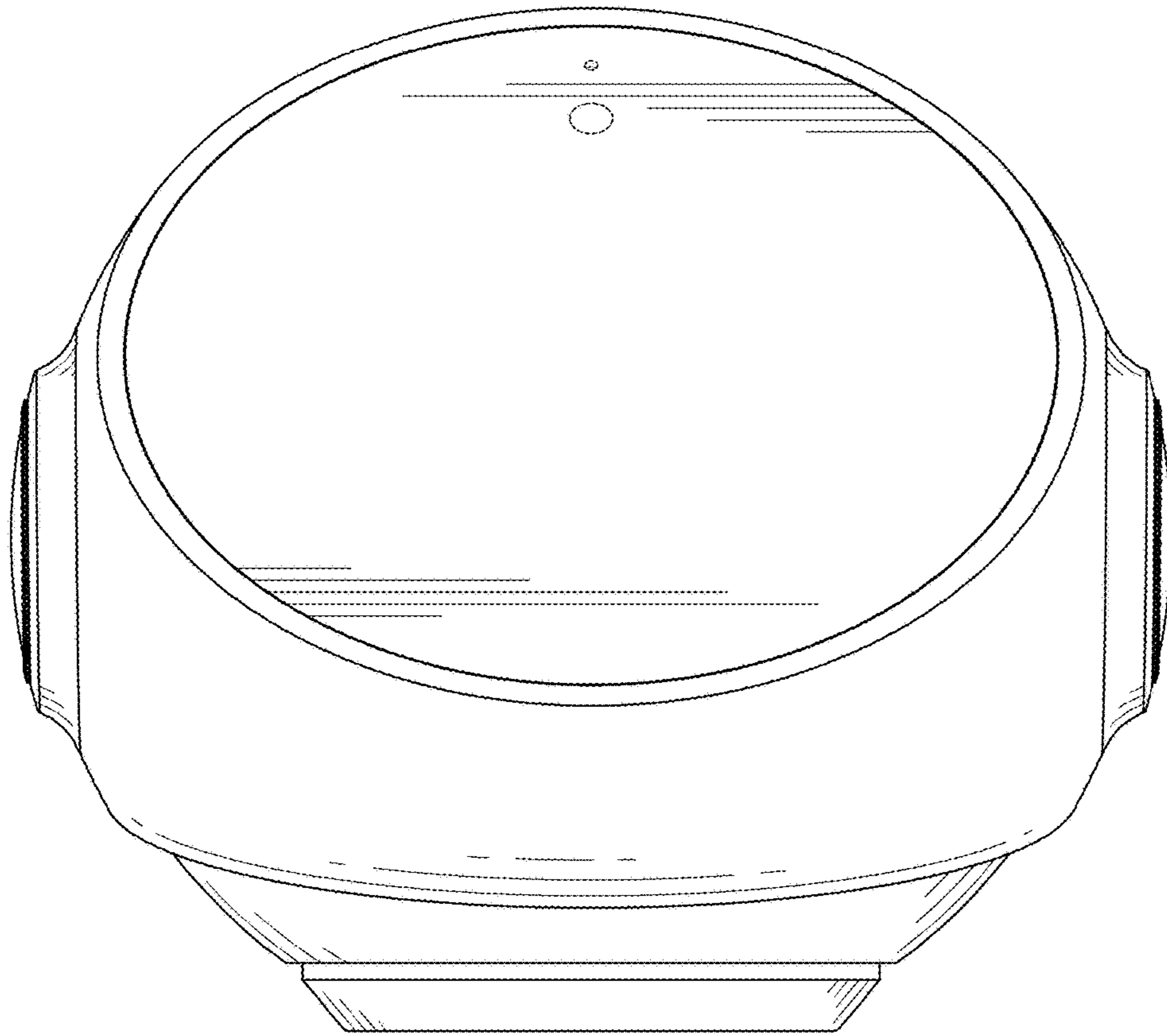


FIG. 2

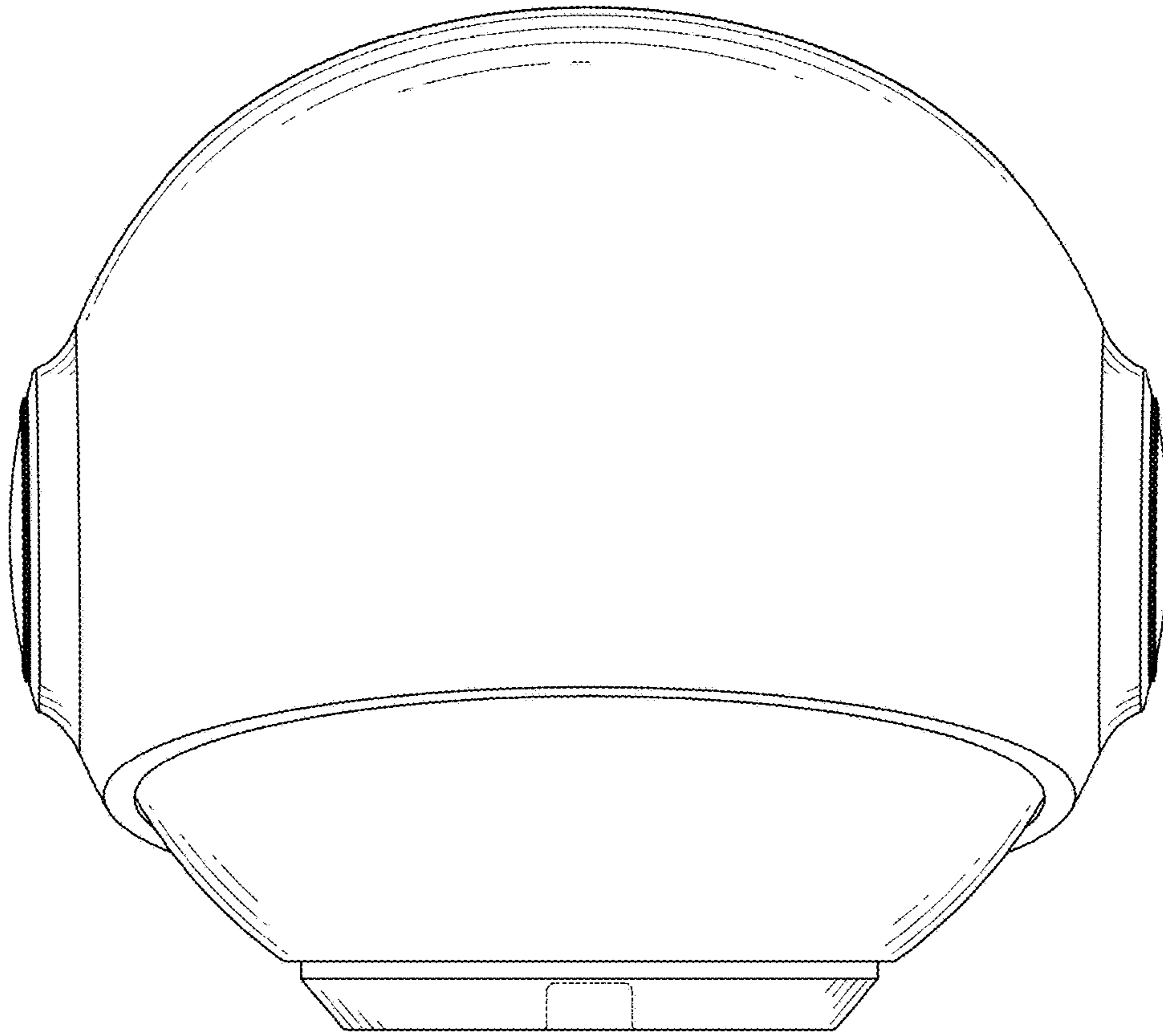


FIG. 3

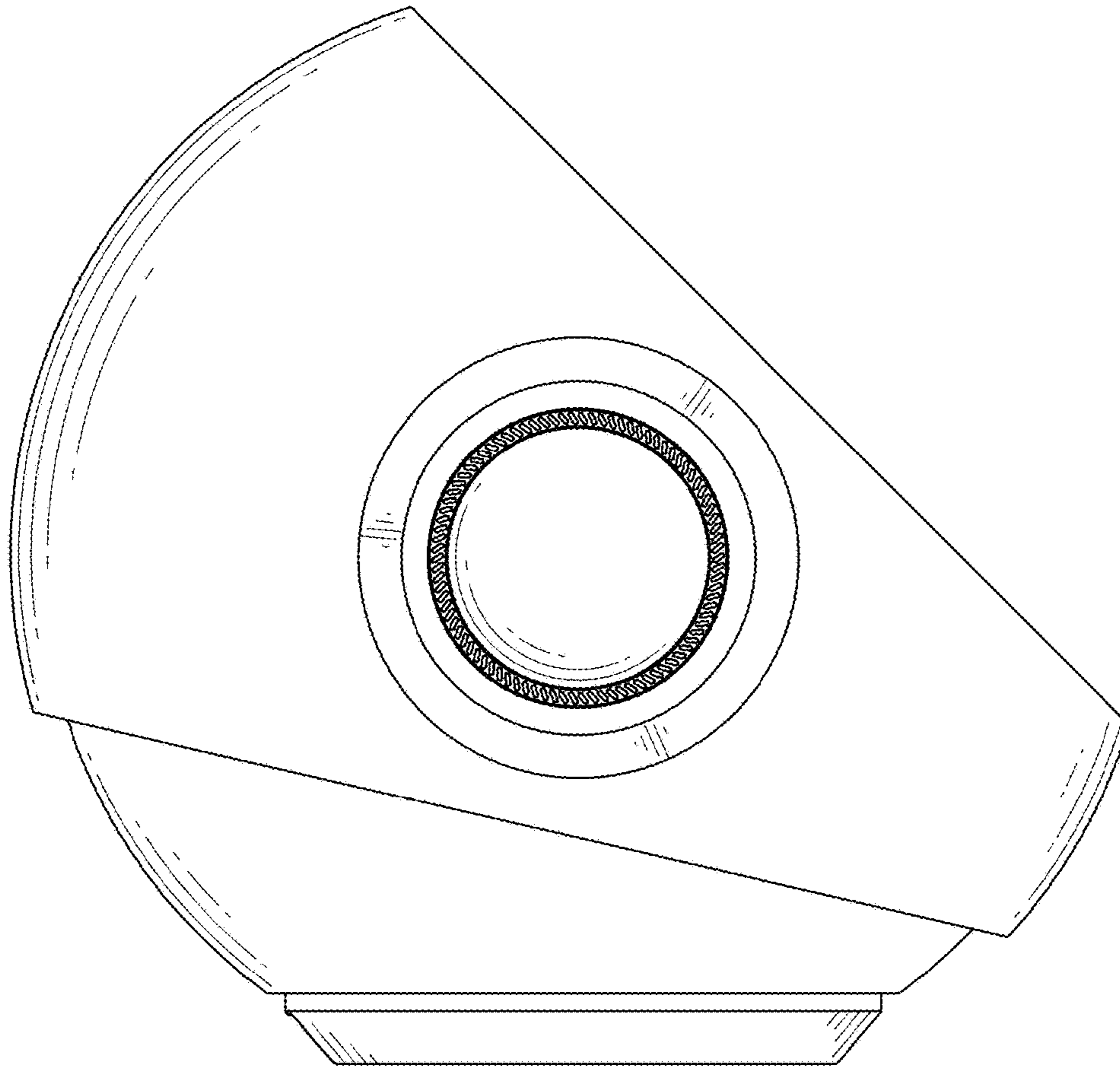


FIG. 4

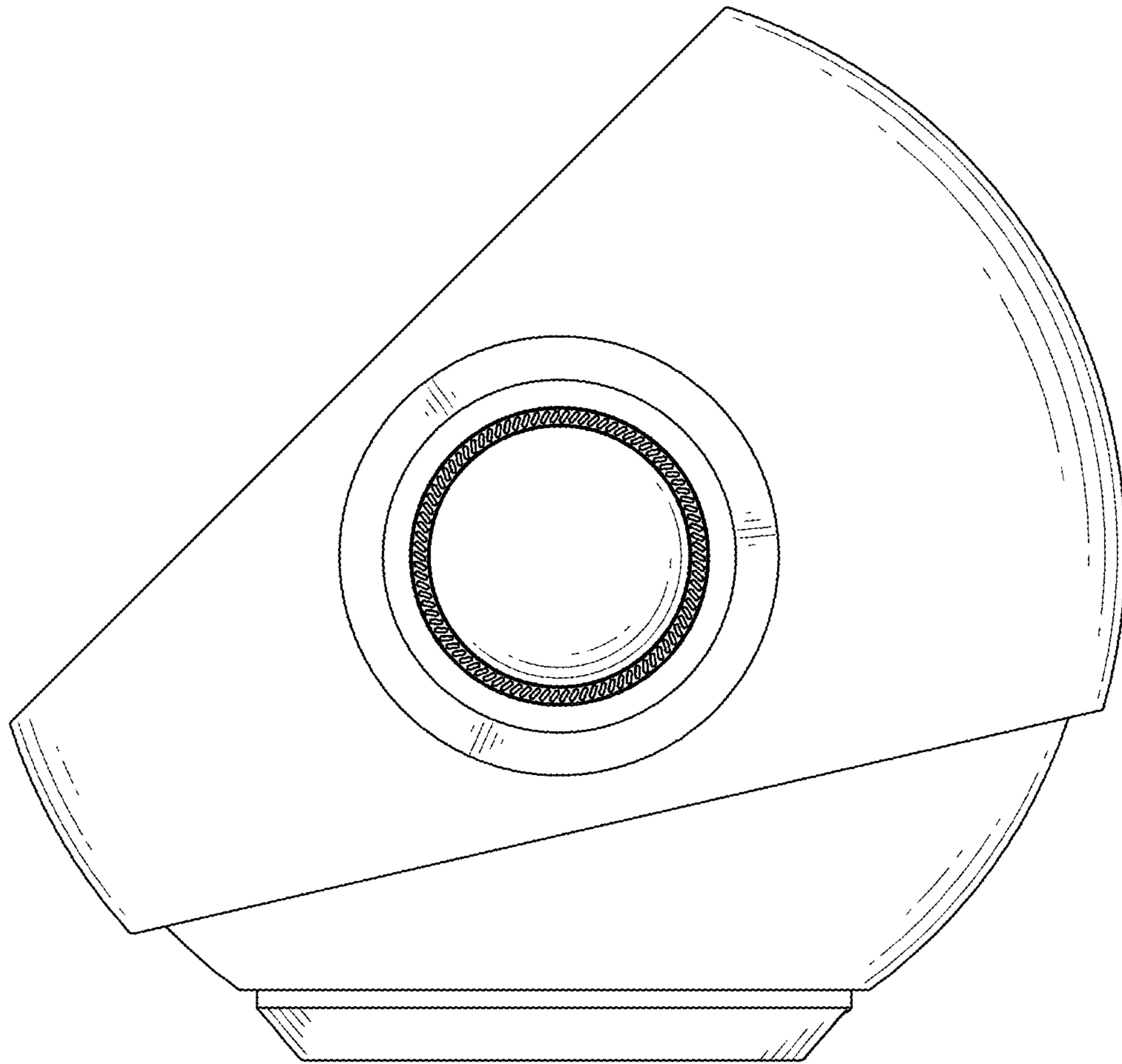


FIG. 5

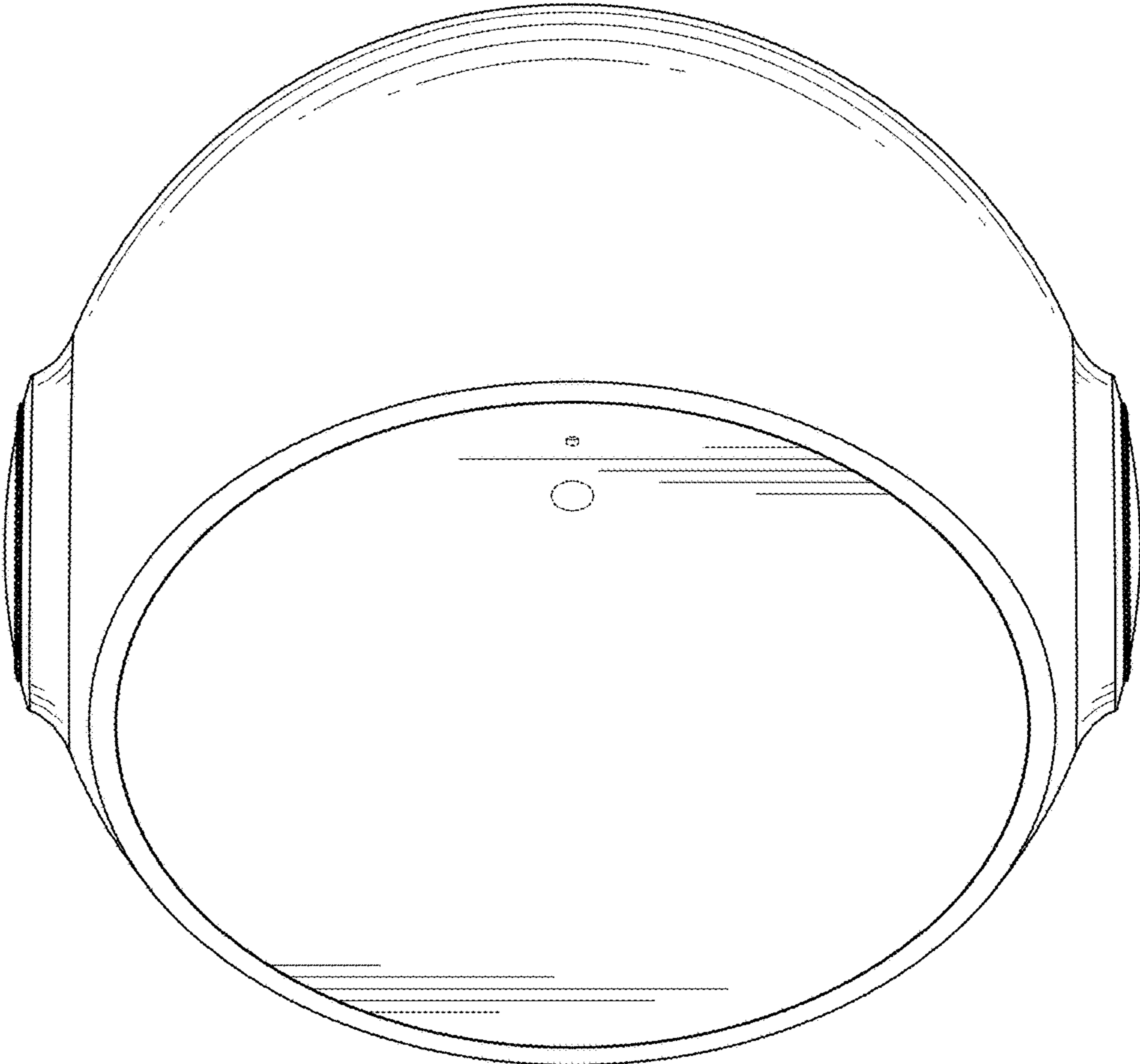


FIG. 6

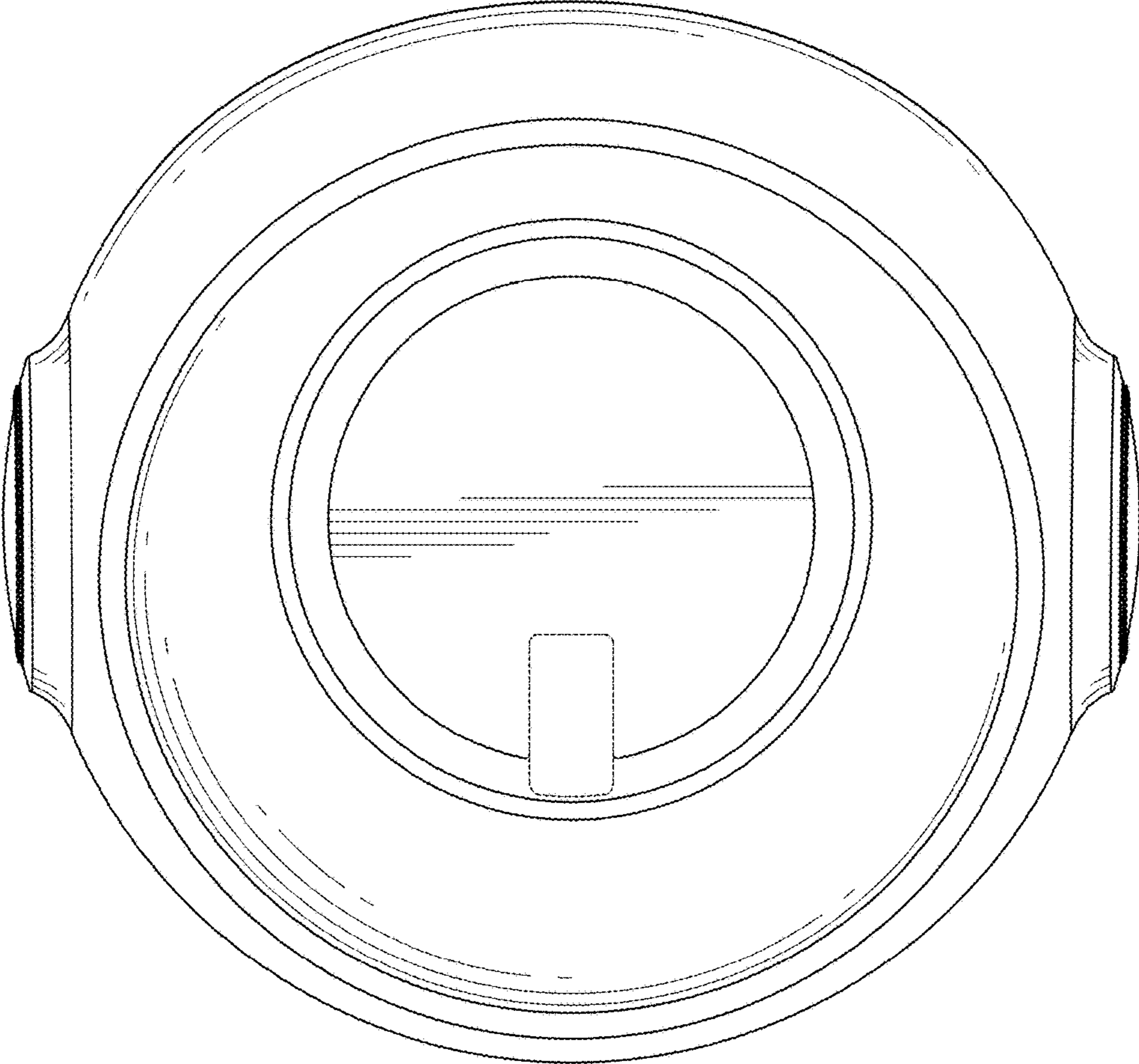


FIG. 7