



US00D811387S

(12) **United States Design Patent**  
**Kim**

(10) **Patent No.:** **US D811,387 S**

(45) **Date of Patent:** **\*\* Feb. 27, 2018**

(54) **WRIST-WORN COMMUNICATION DEVICE**

(71) Applicant: **Sony Mobile Communications Inc.**,  
Tokyo (JP)

(72) Inventor: **Dongkyu Kim**, Lund (SE)

(73) Assignee: **Sony Mobile Communications Inc.**,  
Tokyo (JP)

(\*\*) Term: **14 Years**

(21) Appl. No.: **29/522,460**

(22) Filed: **Mar. 31, 2015**

(30) **Foreign Application Priority Data**

Dec. 17, 2014 (EM) ..... 002599969-0001

(51) **LOC (11) Cl.** ..... **14-02**

(52) **U.S. Cl.**  
USPC ..... **D14/344**

(58) **Field of Classification Search**

USPC ..... D2/623, 626, 639, 878; D8/88, 356;  
D10/30-39, 70, 98; D11/3, 87, 93-94,  
D11/200, 201, 210, 216, 218, 221,  
D11/230-231; D14/344, 138 R, 144,  
D14/358; D24/167, 169, 186-187  
CPC ..... G06F 1/163; G06F 1/1628; G06F 1/1626;  
G06F 1/1635; G06F 1/08; G06F 1/10;  
G06F 1/04; G06F 1/14; G06F 1/3203;  
A41D 1/002; H04M 1/02; H04M 1/03;  
H04M 1/04; H04M 1/05; H04M 1/667;  
H04M 1/6058; Y02B 60/1217; H04B  
1/385; H04B 1/3888; H04B 1/3833;  
A44C 5/00

See application file for complete search history.

(56) **References Cited**

**U.S. PATENT DOCUMENTS**

D410,200 S \* 5/1999 Bulgari ..... D10/30  
D462,281 S \* 9/2002 Wunderman ..... D10/39

D528,440 S \* 9/2006 Lovegrove ..... D10/38  
D568,768 S \* 5/2008 Tang ..... D10/30  
D672,255 S \* 12/2012 Zanella ..... D10/32  
D681,483 S \* 5/2013 Biegert ..... D10/38  
D726,052 S \* 4/2015 Henning ..... D10/70  
D729,237 S \* 5/2015 Fagnot ..... D14/344  
D736,652 S \* 8/2015 Isaacs ..... D10/32  
D759,011 S \* 6/2016 Akana ..... D14/344  
D759,622 S \* 6/2016 Dahlberg ..... D10/32

(Continued)

**OTHER PUBLICATIONS**

Smartwatch 3 stainless steel rolling out right about now, posted Feb. 12, 2015, [retrieved Oct. 1, 2016]. Retrieved from Internet, <URL: <http://blogs.sonymobile.com/2015/02/12/smartwatch-3-stainless-steel-rolling-out-right-about-now/>>.\*

*Primary Examiner* — Barbara Fox

*Assistant Examiner* — Kristin E Reed

(74) *Attorney, Agent, or Firm* — Renner, Otto, Boisselle & Sklar, LLP

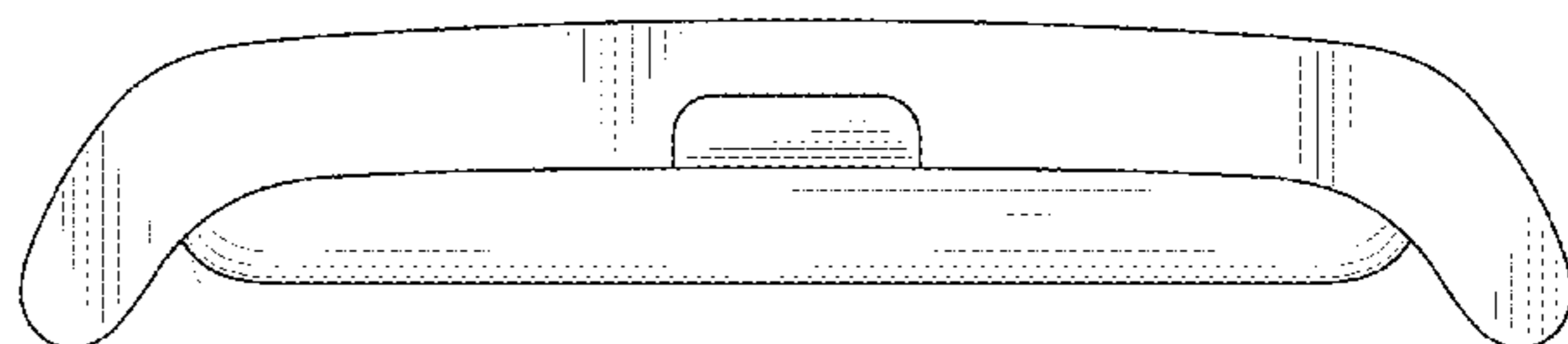
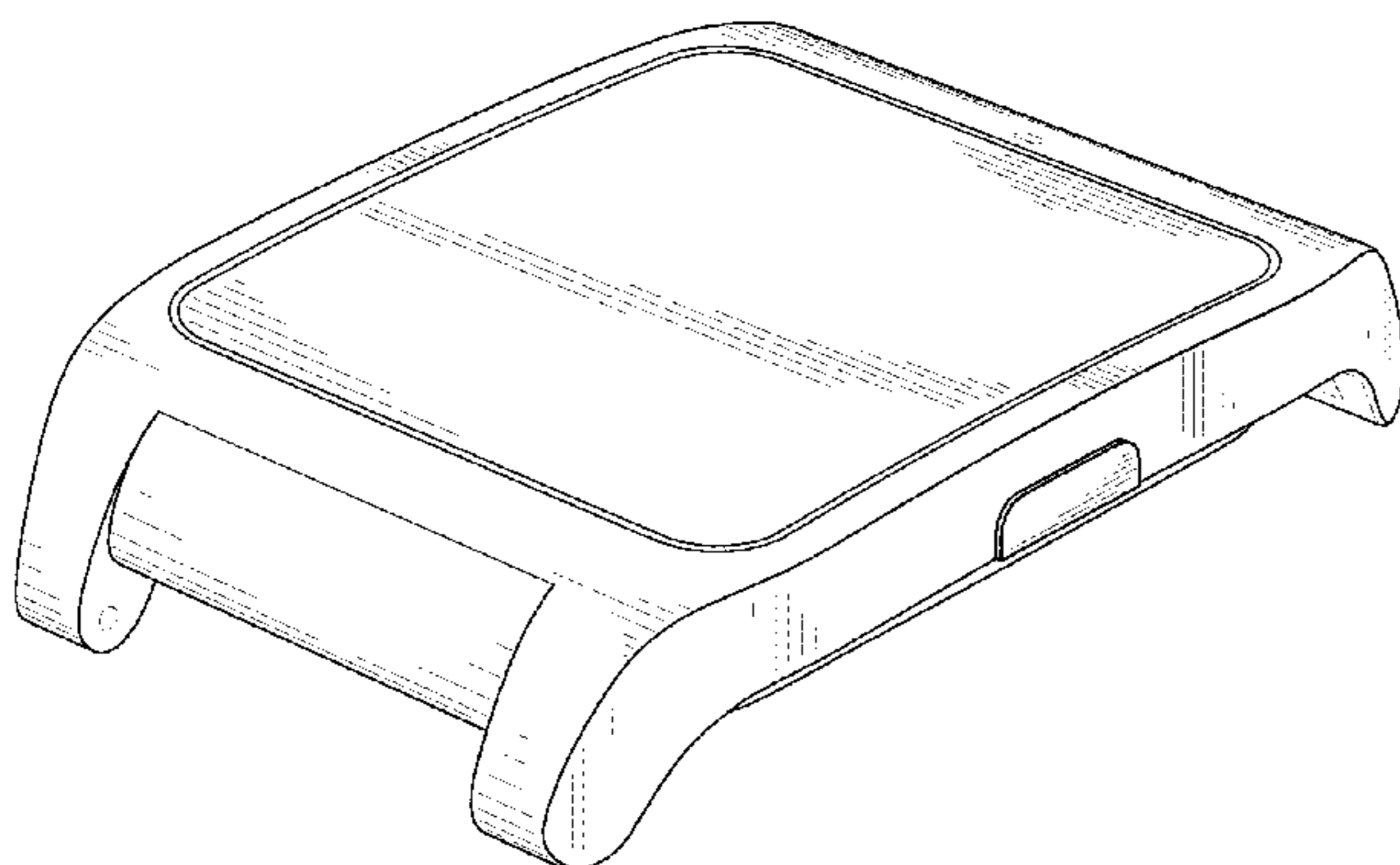
(57) **CLAIM**

The ornamental design for a wrist-worn communication device, as shown and described.

**DESCRIPTION**

FIG. 1 is a perspective view of a wrist-worn communication device showing my new design;  
FIG. 2 is a top view thereof;  
FIG. 3 is a bottom view thereof;  
FIG. 4 is a front view thereof;  
FIG. 5 is a rear view thereof;  
FIG. 6 is a right side view thereof; and,  
FIG. 7 is a left side view thereof.  
The broken lines shown herein are for the purpose of illustrating portions of the wrist-worn communication device and form no part of the claimed design.

**1 Claim, 5 Drawing Sheets**



(56)

**References Cited**

U.S. PATENT DOCUMENTS

2015/0331446 A1\* 11/2015 Oh ..... G06F 1/163  
361/679.03  
2016/0170608 A1\* 6/2016 Zambetti ..... G06F 3/04817  
715/810

\* cited by examiner

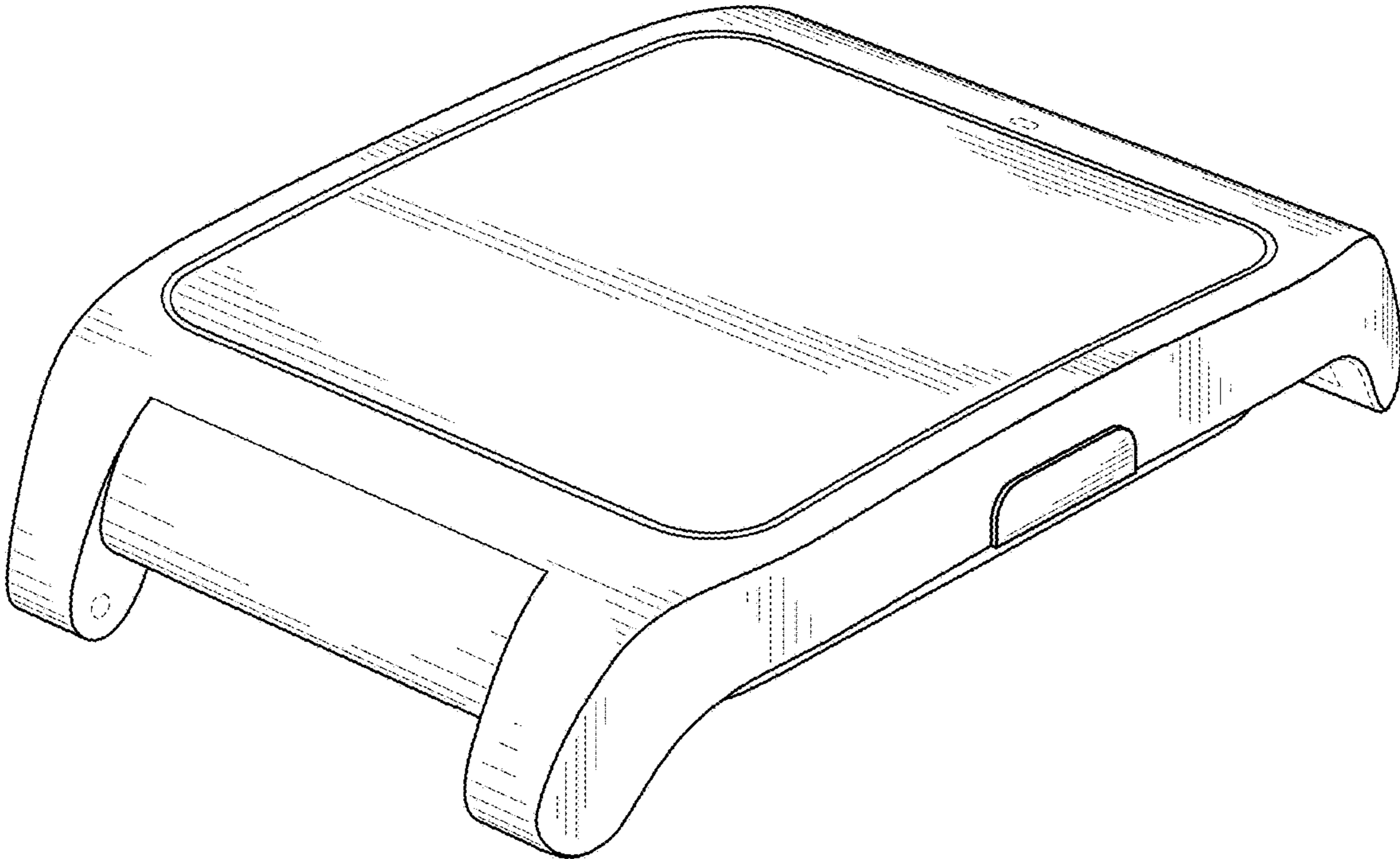


Fig. 1

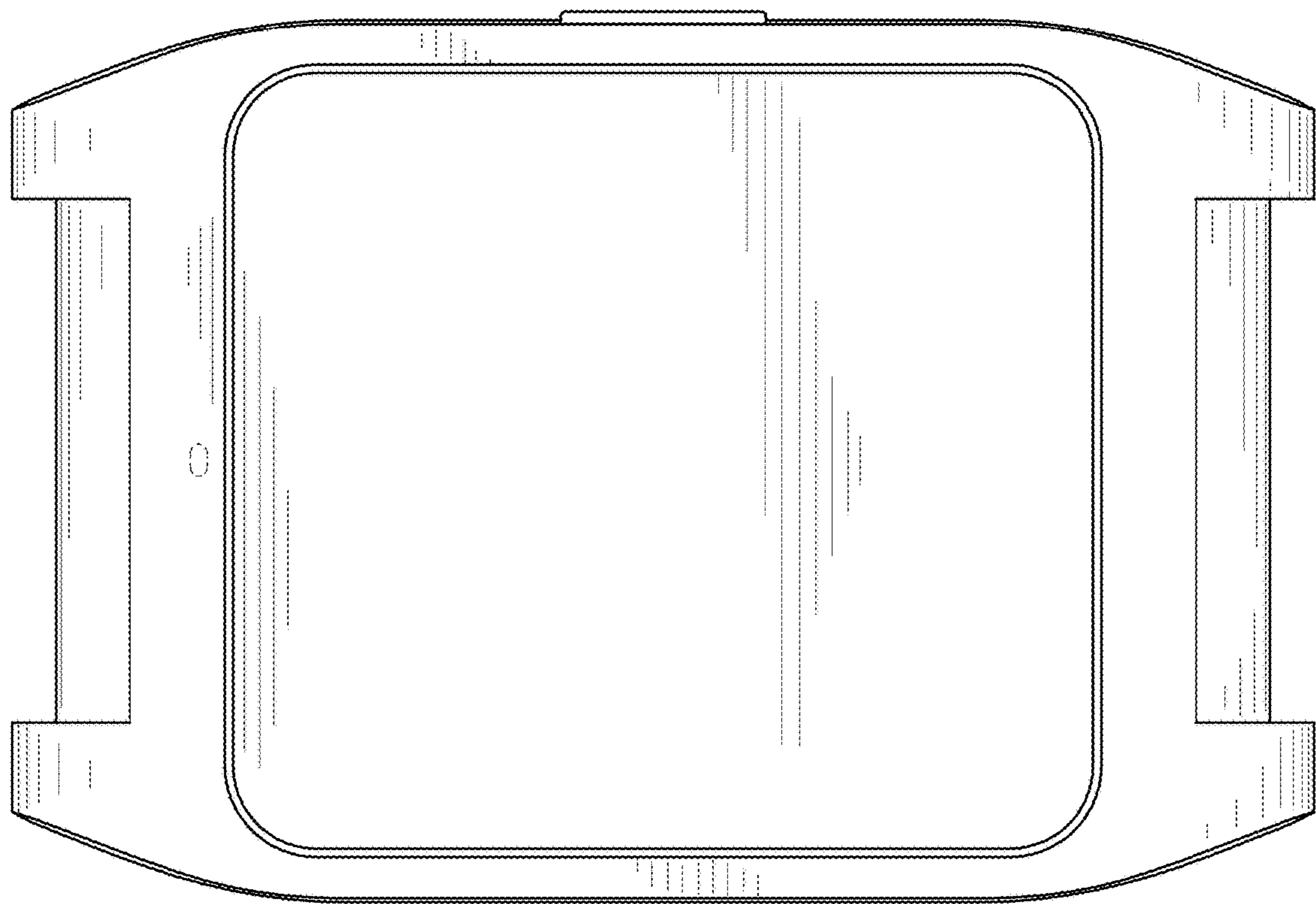


Fig. 2

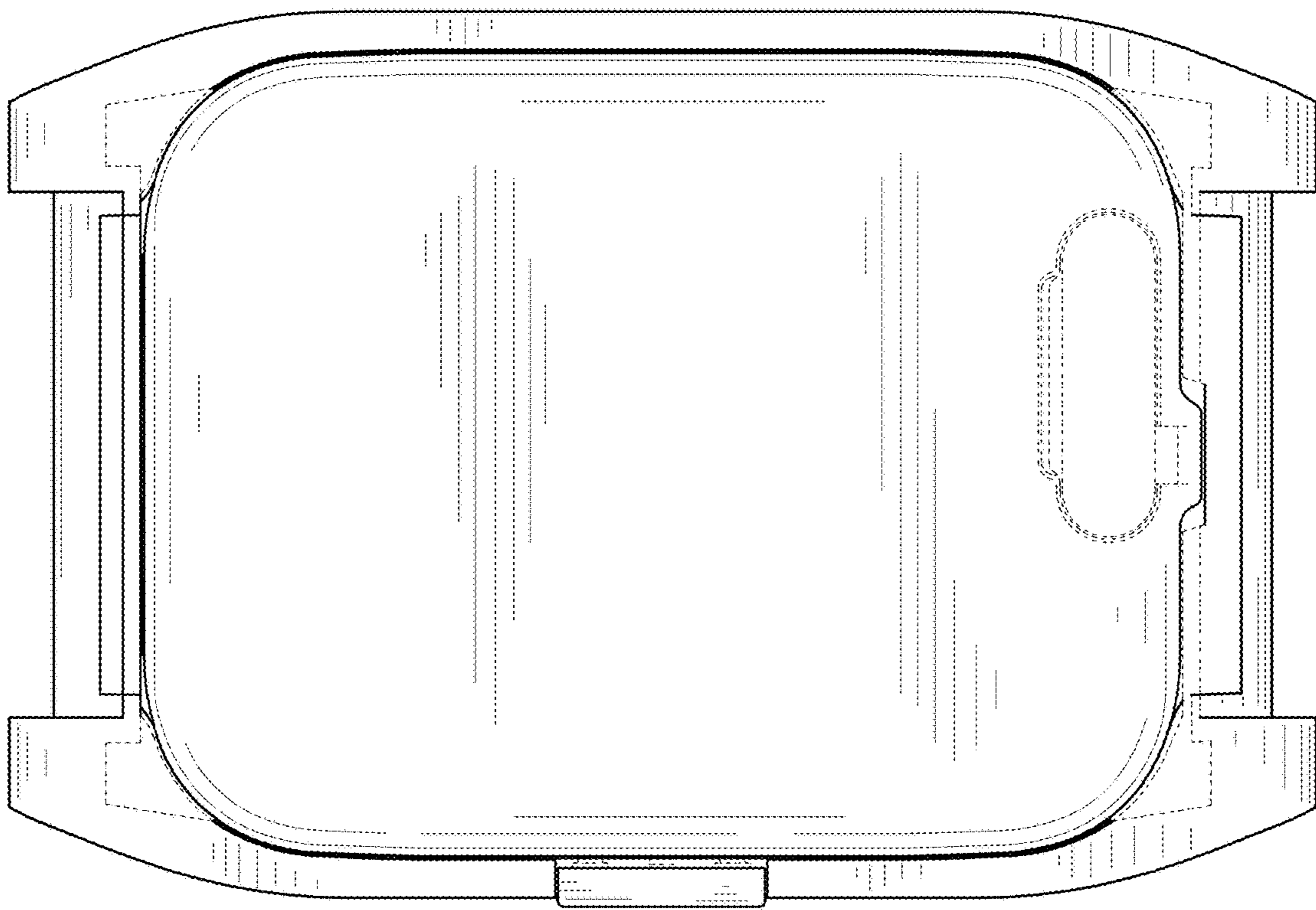
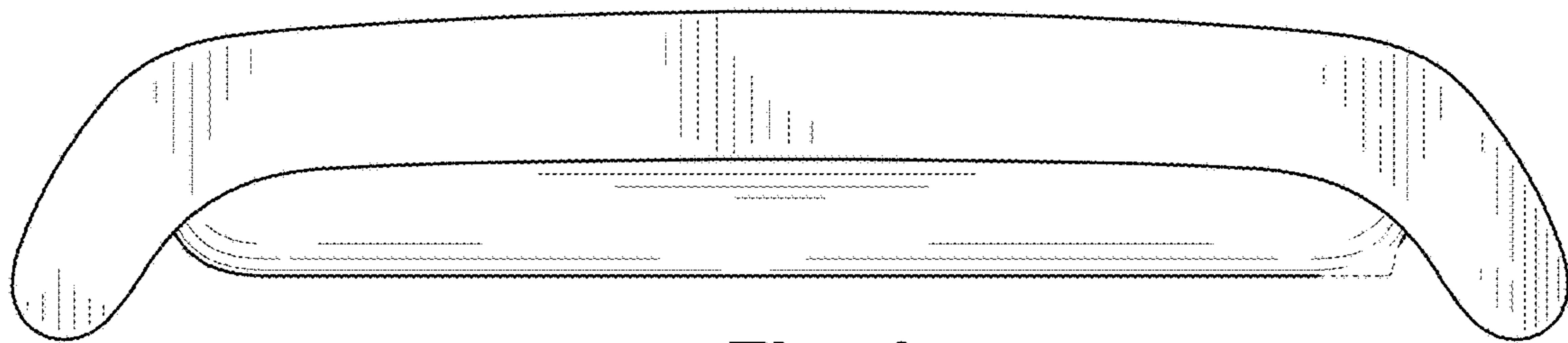
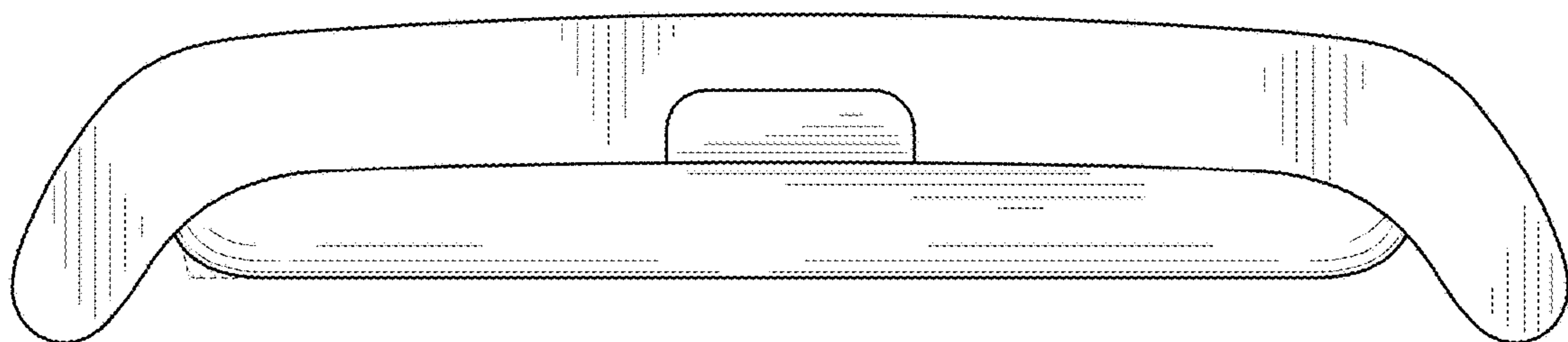


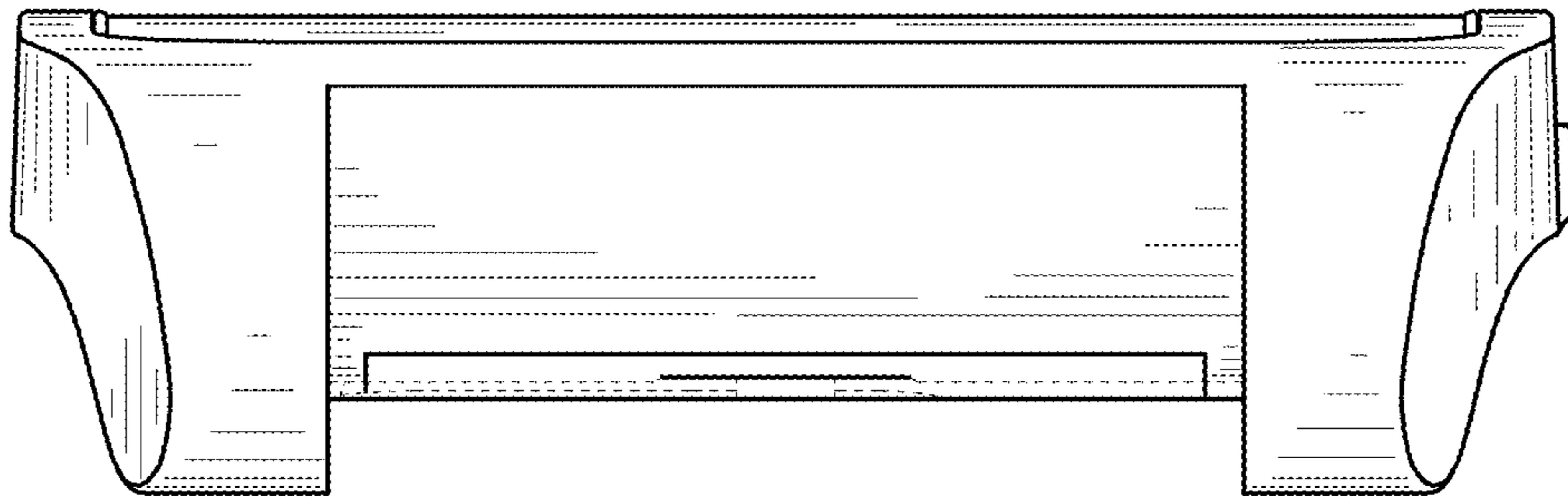
Fig. 3



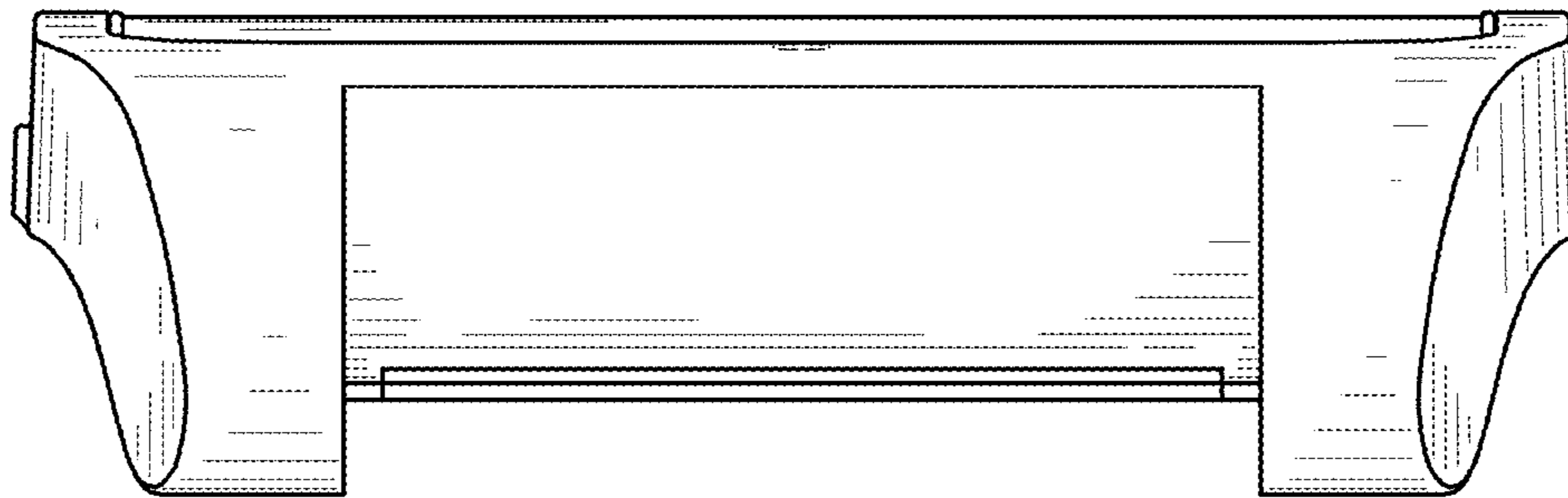
**Fig. 4**



**Fig. 5**



**Fig. 6**



**Fig. 7**