



US00D811382S

(12) **United States Design Patent**  
**Cai et al.**

(10) **Patent No.:** **US D811,382 S**  
(45) **Date of Patent:** **\*\* Feb. 27, 2018**

(54) **MULTI-MODE ELECTRONIC DEVICE WITH DISPLAY SCREEN**

(71) Applicant: **LENOVO (BEIJING) CO., LTD.**,  
Beijing (CN)

(72) Inventors: **Xiao Cai**, Beijing (CN); **Xuesong Fan**,  
Beijing (CN)

(73) Assignee: **LENOVO (BEIJING) CO., LTD.**,  
Beijing (CN)

(\*\*) Term: **15 Years**

(21) Appl. No.: **29/569,603**

(22) Filed: **Jun. 29, 2016**

(30) **Foreign Application Priority Data**

Dec. 29, 2015 (CN) ..... 2015 3 0564795  
Jun. 14, 2016 (CN) ..... 2016 3 0237807

(51) **LOC (11) Cl.** ..... **14-02**

(52) **U.S. Cl.**  
USPC ..... **D14/316**

(58) **Field of Classification Search**

USPC ..... D14/315-327; D18/1, 2, 7, 11;  
235/145 A, 145 R; 341/22, 23; 345/104,  
345/156, 168, 169, 173; 361/679.08,  
361/679.09, 679.11, 679.26, 679.27  
CPC ..... G06F 1/16; G06F 1/1616; G06F 1/1626;  
G06F 1/1632; G06F 1/1613; G06F  
1/1601; G06F 1/1618; G06F 1/162; G06F  
1/1679; G06F 1/1681; G06F 1/1683;  
H01R 35/02; H03M 11/00; G09B 13/04;  
H03K 17/94; G09G 5/00; F16M 11/10;  
E05D 11/0081;

(Continued)

(56) **References Cited**

**U.S. PATENT DOCUMENTS**

6,771,494 B2 \* 8/2004 Shimano ..... G06F 1/1616  
345/173  
D617,789 S \* 6/2010 Akana ..... D14/318

(Continued)

*Primary Examiner* — Freda S Nunn

(74) *Attorney, Agent, or Firm* — Oppedahl Patent Law  
Firm LLC

(57) **CLAIM**

The ornamental design for a multi-mode electronic device with display screen, as shown and described.

**DESCRIPTION**

FIG. 1 is a front view of a multi-mode electronic device with display screen showing our new design;  
FIG. 2 is a back view thereof;  
FIG. 3 is a left side view thereof;  
FIG. 4 is a partially enlarged view thereof as indicated in FIG. 3;  
FIG. 5 is a right side view thereof;  
FIG. 6 is a top view thereof;  
FIG. 7 is a bottom view thereof;  
FIG. 8 is a perspective view thereof;  
FIG. 9 is a perspective view thereof shown in first open position;  
FIG. 10 is a perspective view thereof shown in second open position;  
FIG. 11 is a perspective view thereof shown in third open position;  
FIG. 12 is a partially enlarged view thereof as indicated in FIG. 11;  
FIG. 13 is a perspective view thereof shown in fourth open position; and,  
FIG. 14 is a perspective view thereof shown in an open position, the unclaimed views are identical to those shown in FIGS. 1-13, the only difference being the number of gears. The features shown in broken lines in the drawings depict environmental subject matter and form no part of the claimed design.

**1 Claim, 9 Drawing Sheets**

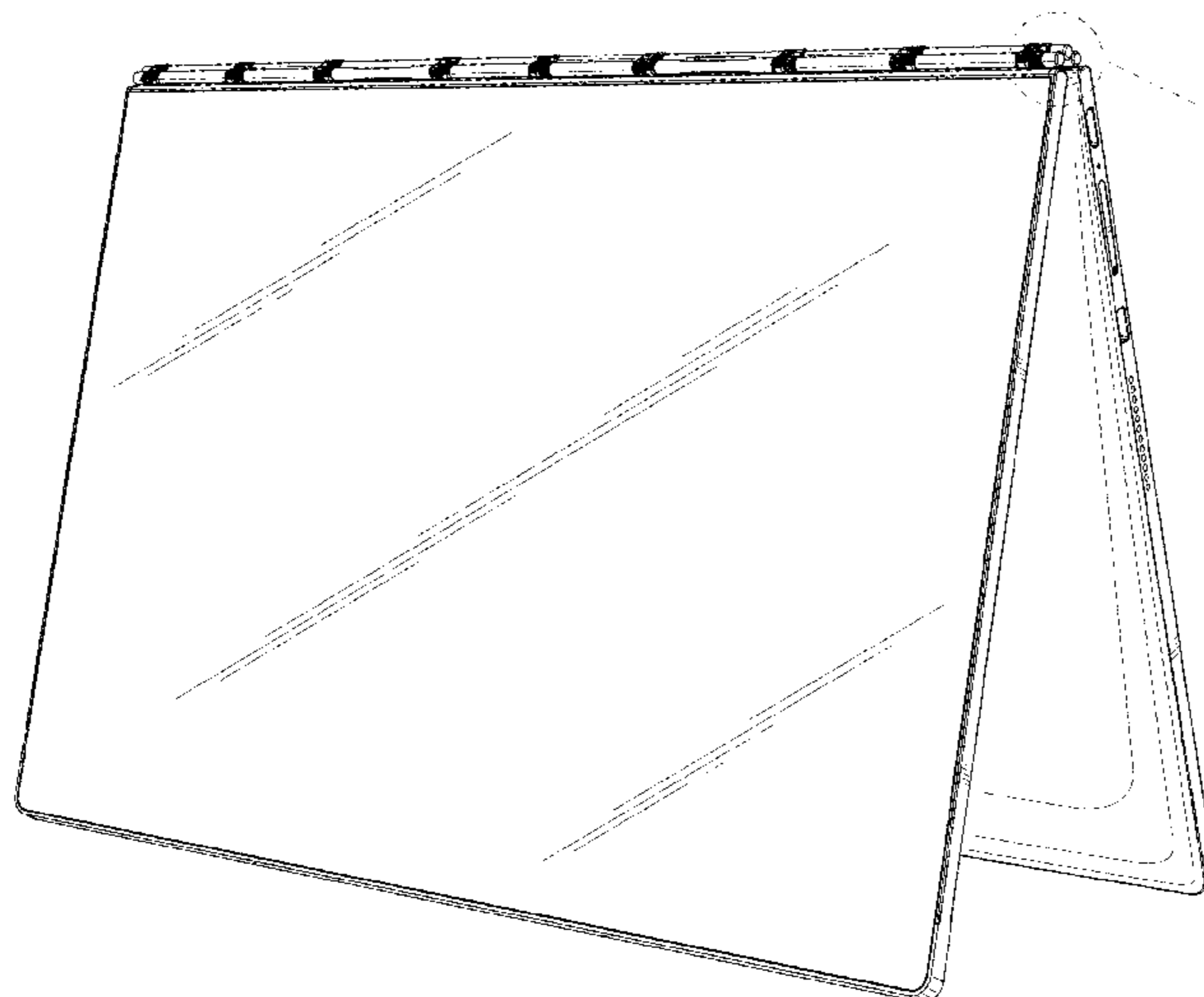
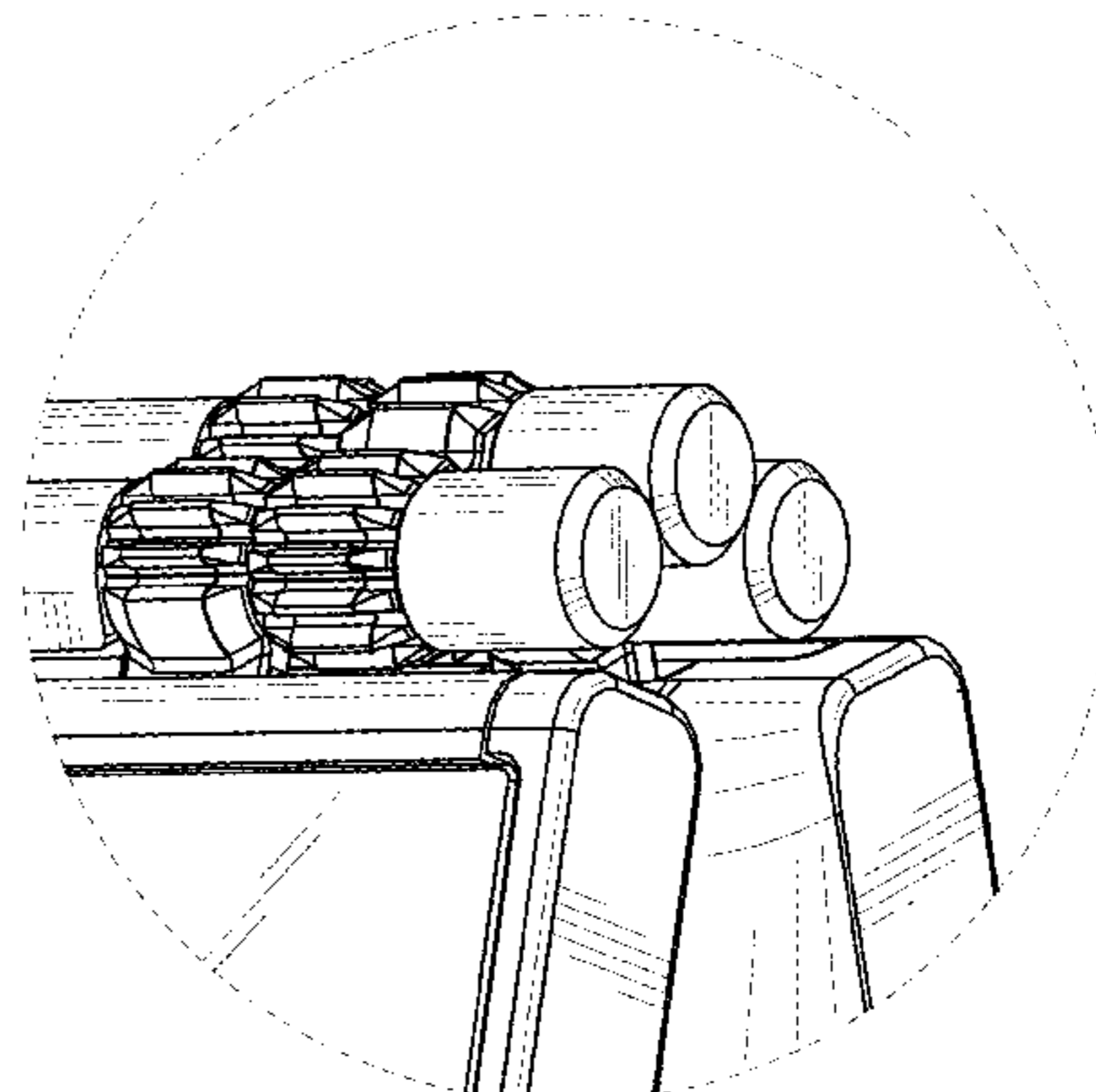


Fig. 12



(58) **Field of Classification Search**

CPC ..... E05D 3/10; E05D 11/082; E05D 5/00;  
E05Y 2900/606; H05K 5/0226; Y10T  
16/52; Y10T 16/533; Y10T 16/547; Y10T  
16/5385; Y10T 16/5472; Y10T 16/5476;  
Y10T 16/54038

See application file for complete search history.

(56) **References Cited**

U.S. PATENT DOCUMENTS

D664,532 S *	7/2012	Lee	.....	D14/315
D697,063 S *	1/2014	Lee	.....	D14/315
D708,605 S *	7/2014	Yang	.....	D14/315
D716,793 S *	11/2014	Lee	.....	D14/315
D717,296 S *	11/2014	Oh	.....	D14/316
D723,541 S *	3/2015	Sohn	.....	D14/315
D723,542 S *	3/2015	Sohn	.....	D14/315
D729,232 S *	5/2015	Wu	.....	D14/341

\* cited by examiner

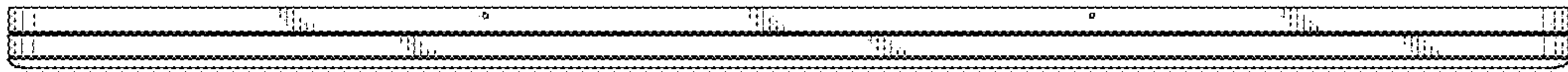


Fig. 1

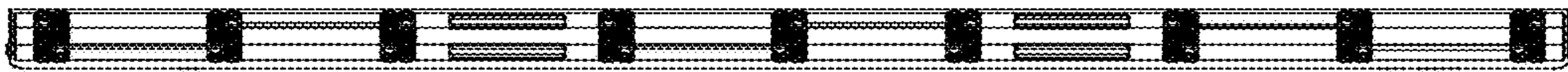


Fig. 2

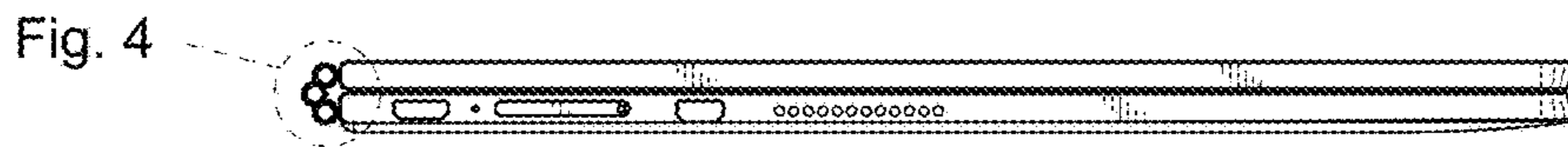


Fig. 3

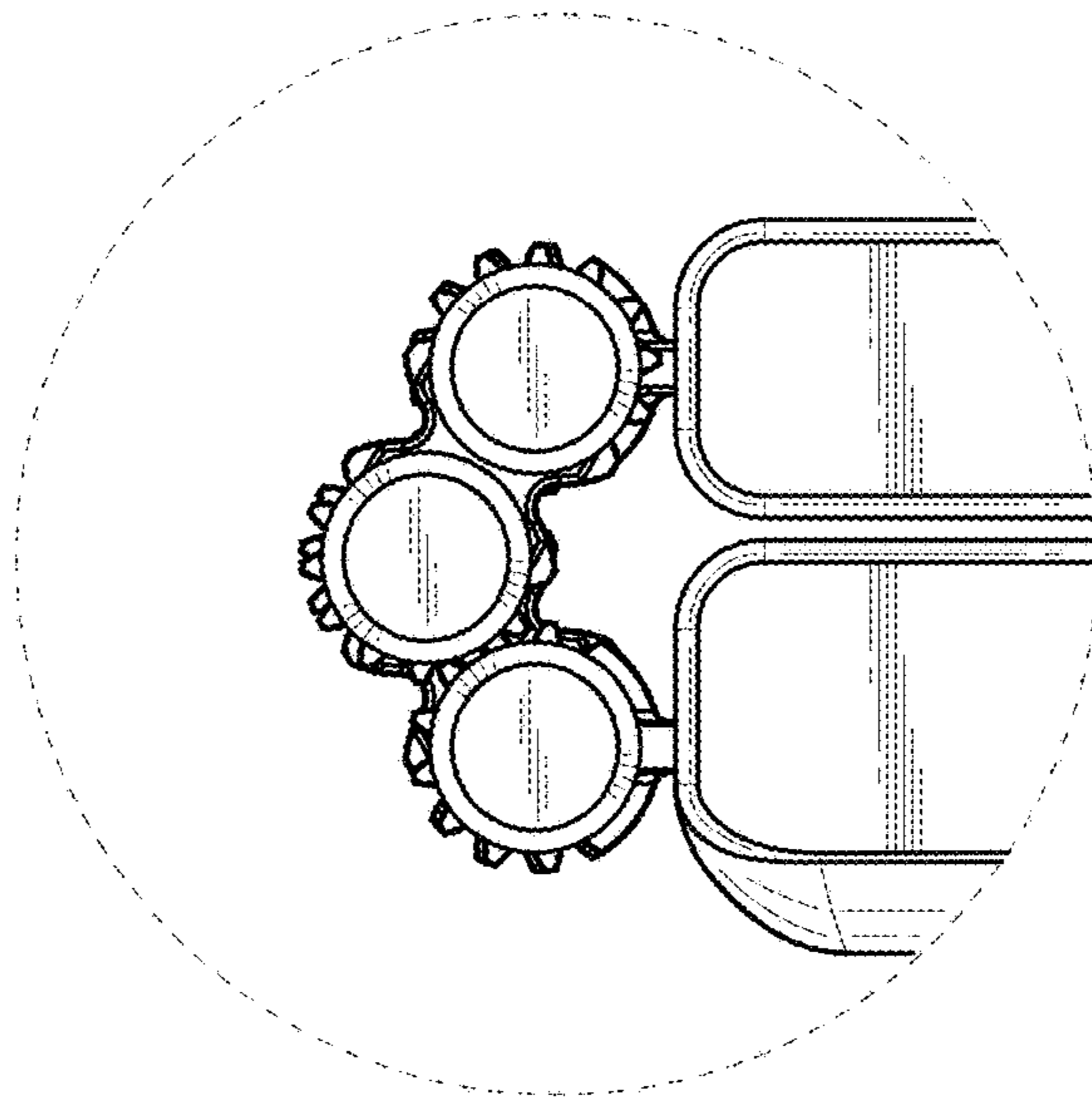


Fig. 4



Fig. 5

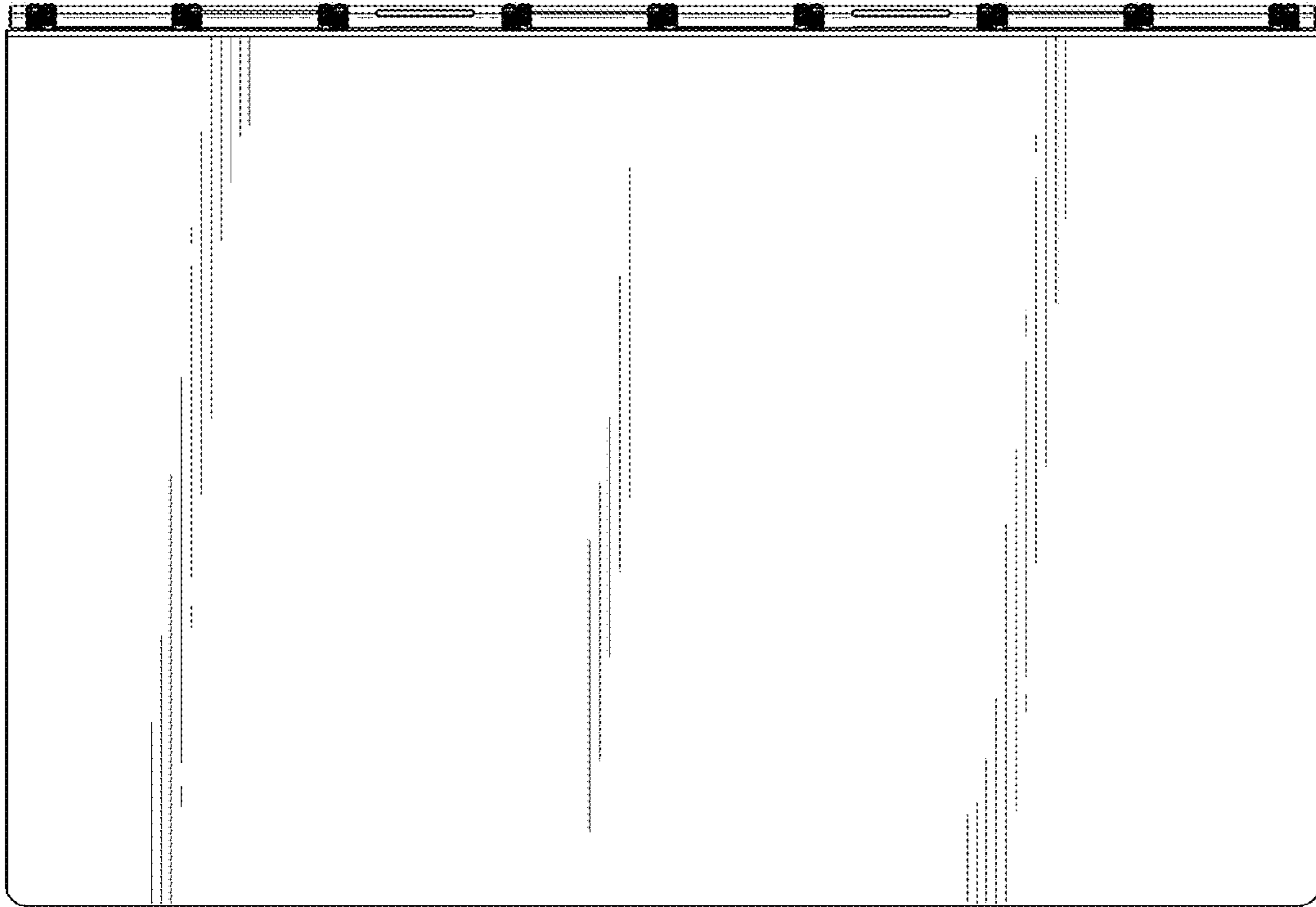


Fig. 6

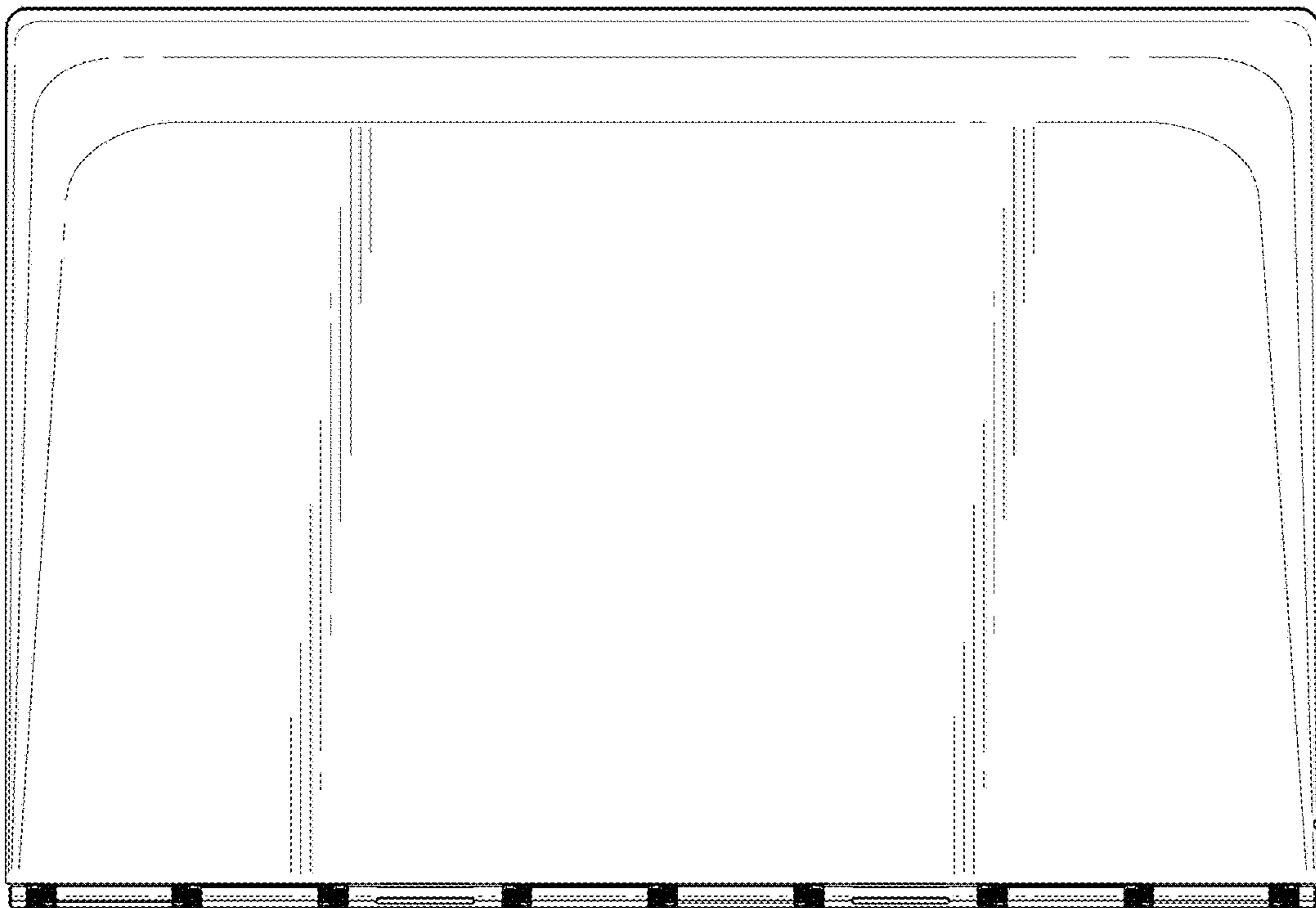


Fig. 7

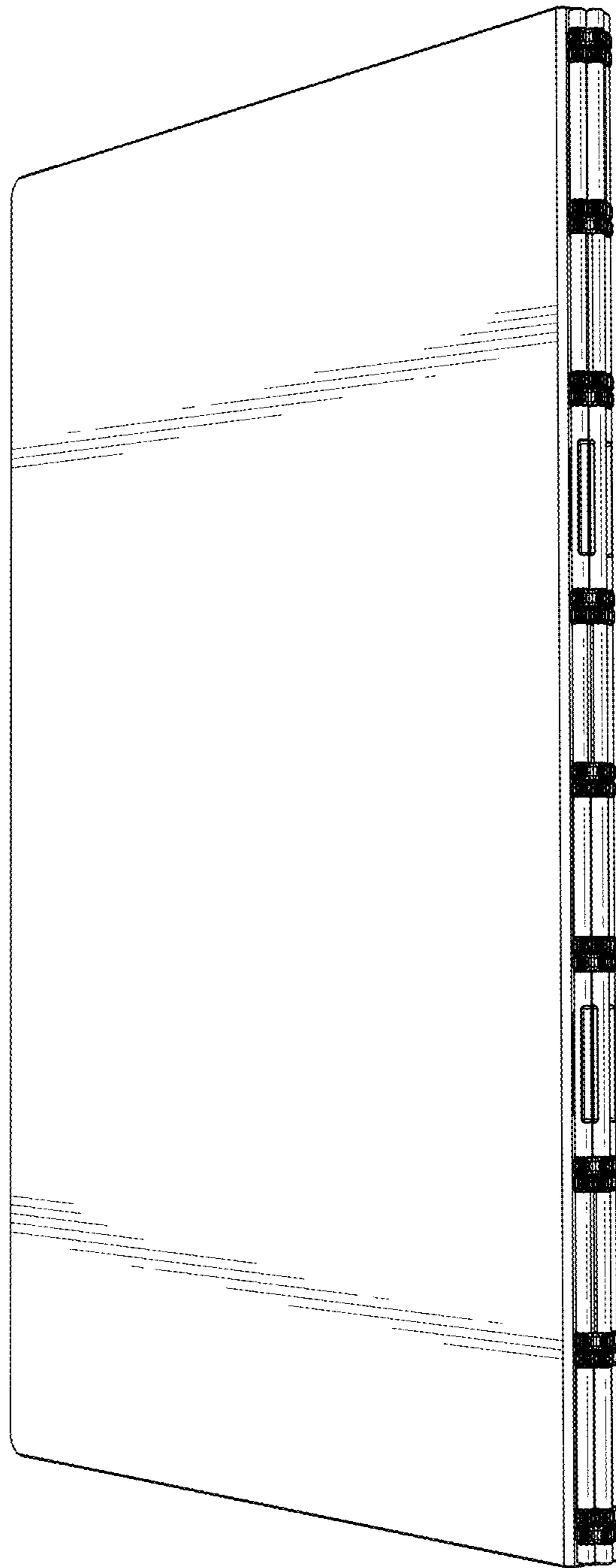


Fig. 8

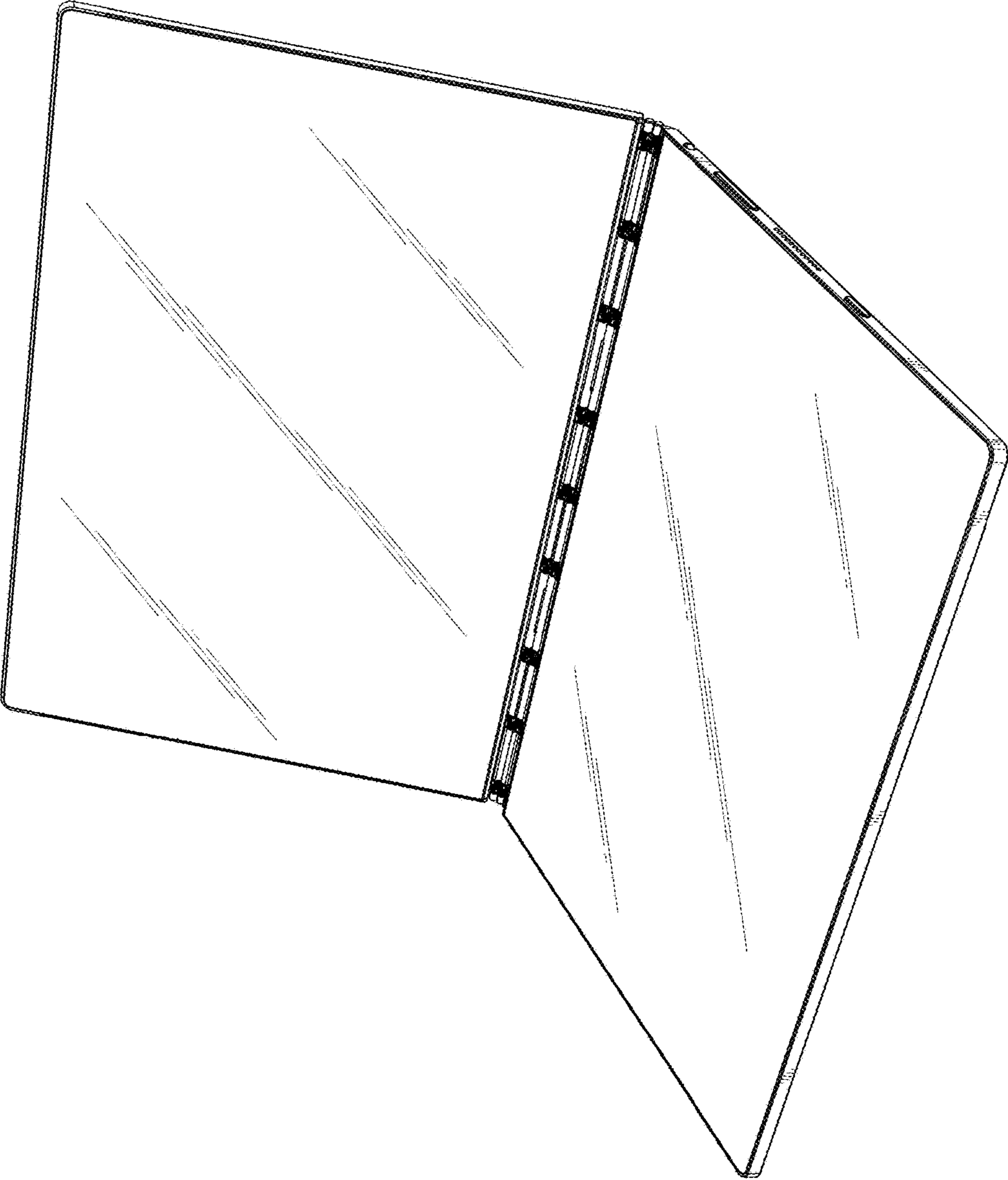


Fig. 9

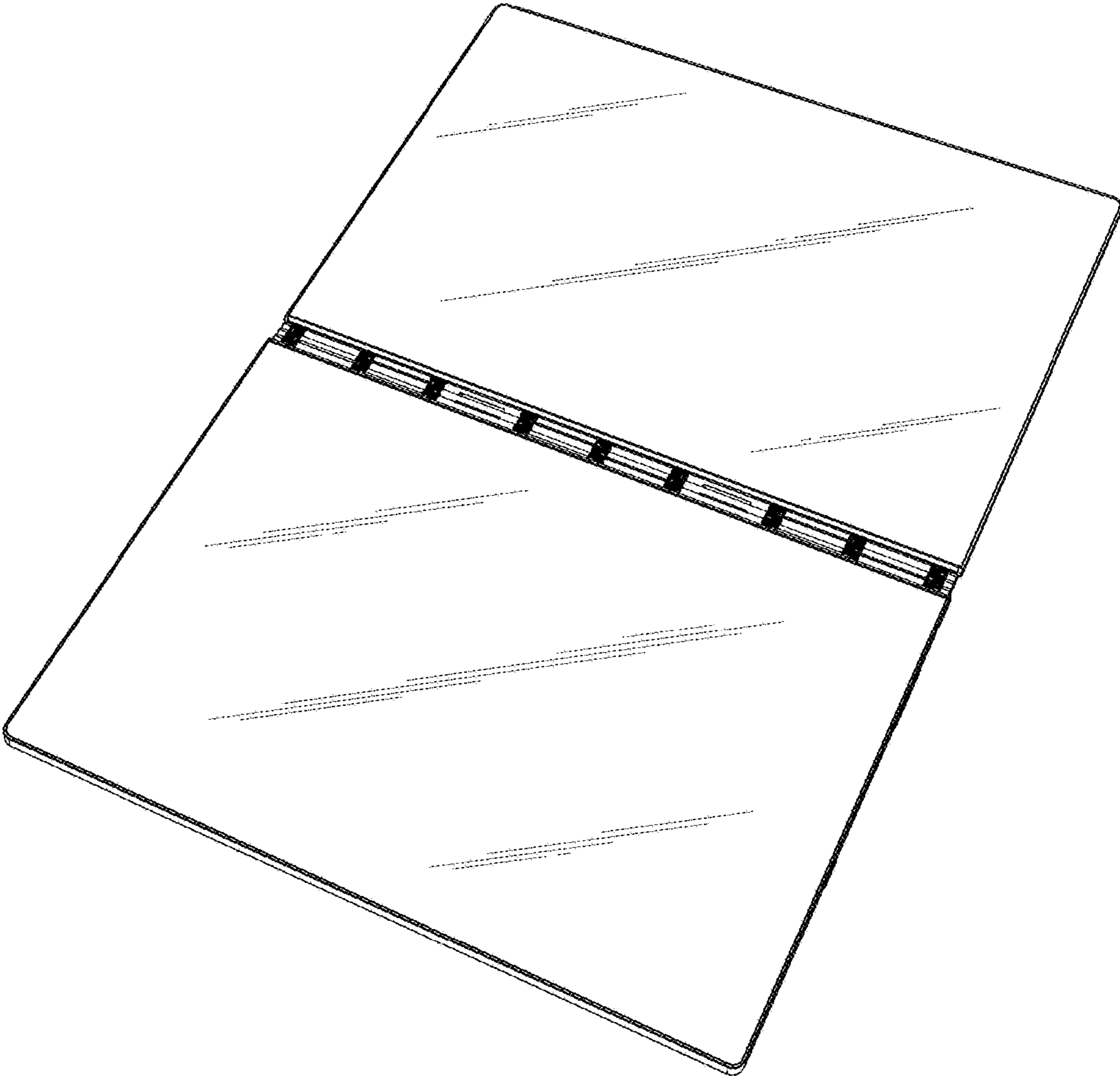


Fig. 10

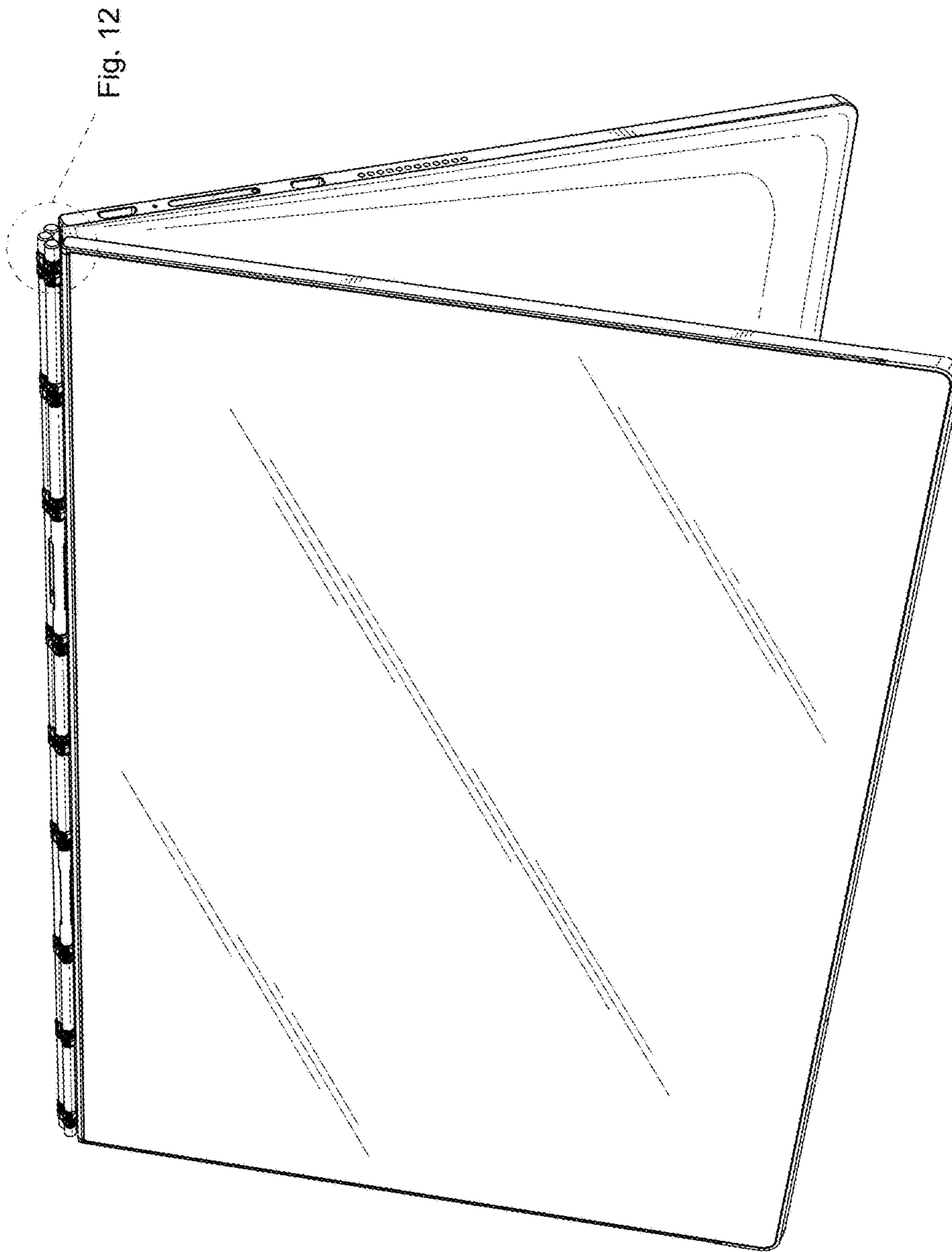


Fig. 11

Fig. 12



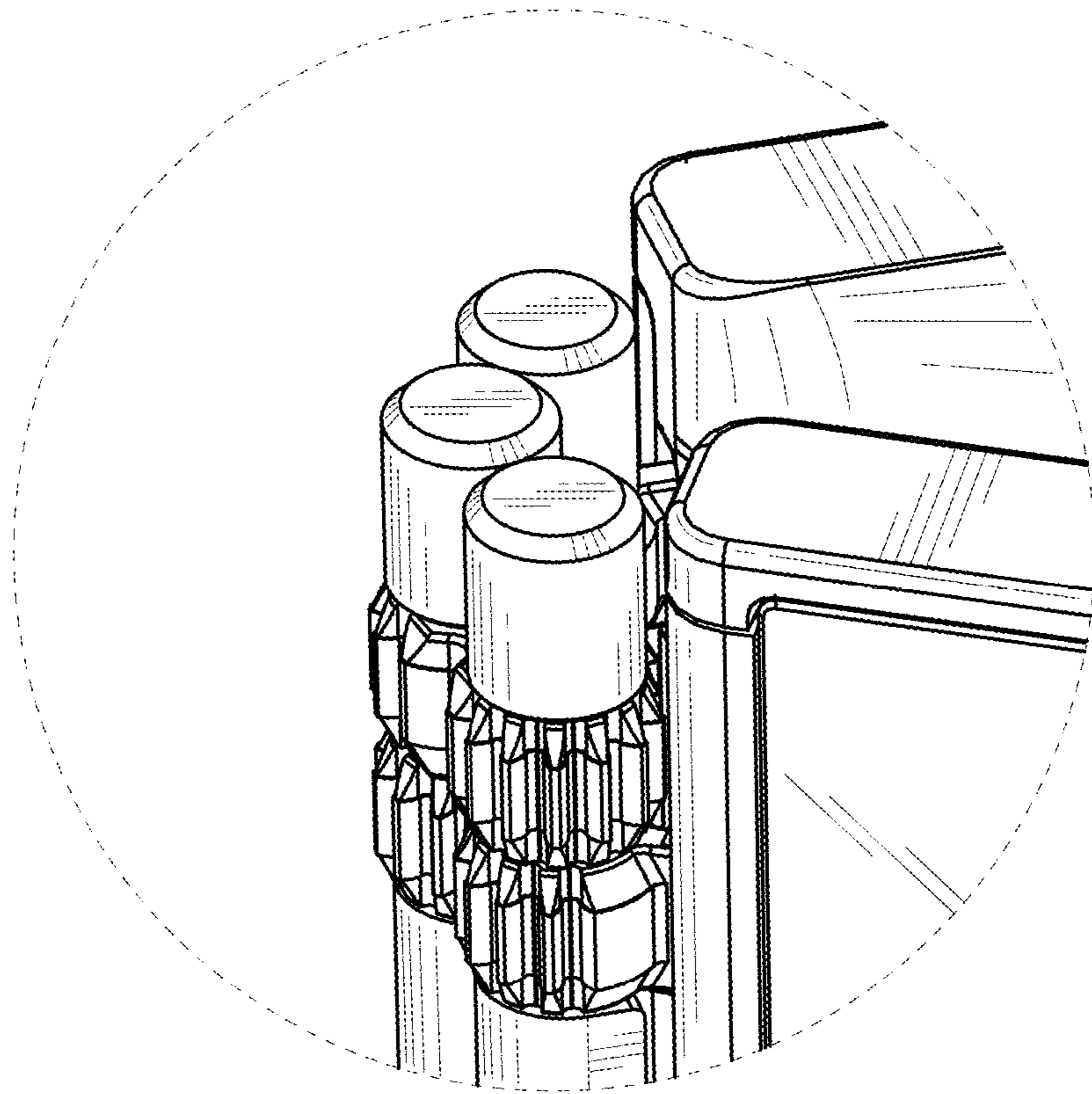


Fig. 12

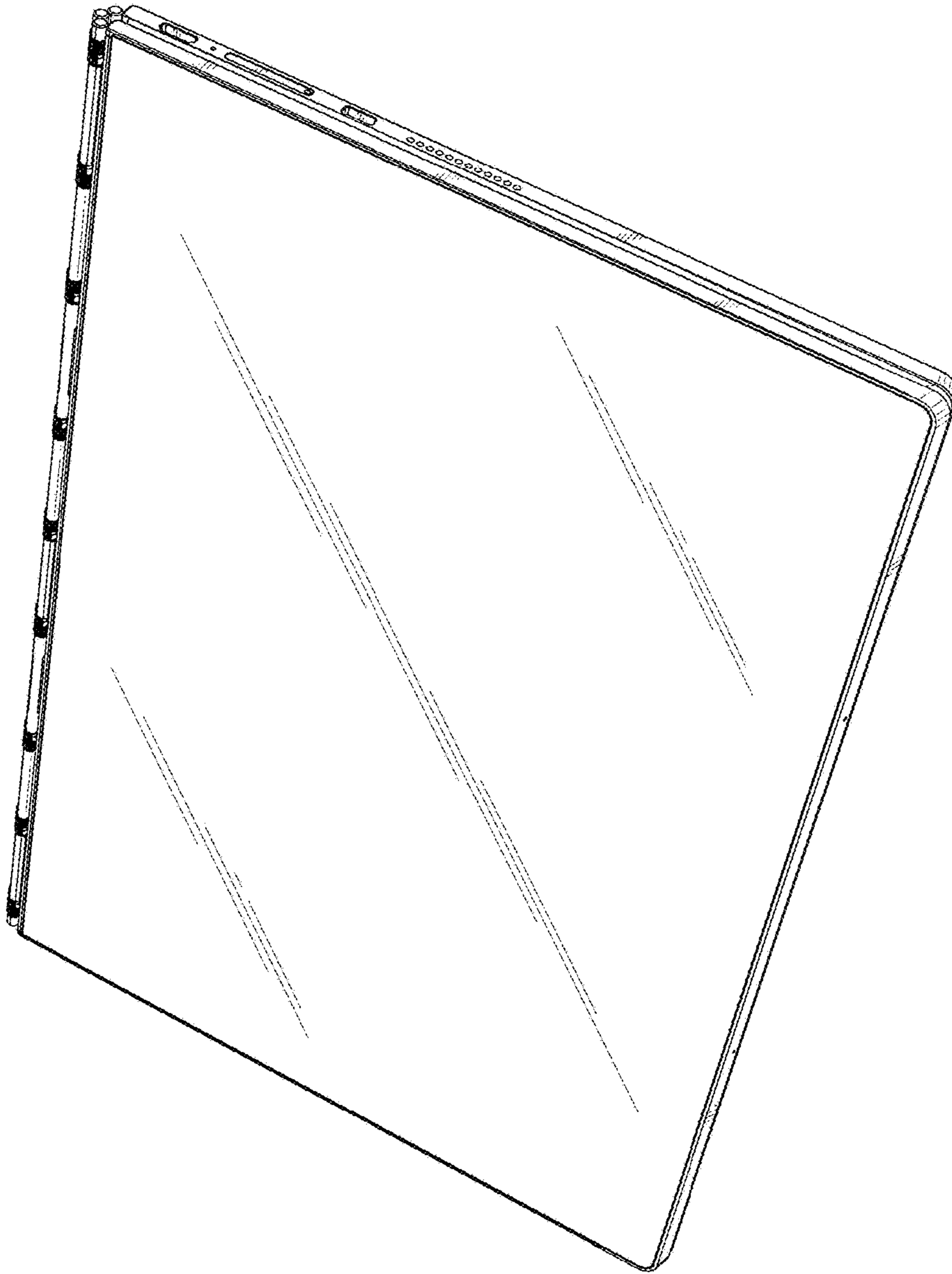


Fig. 13

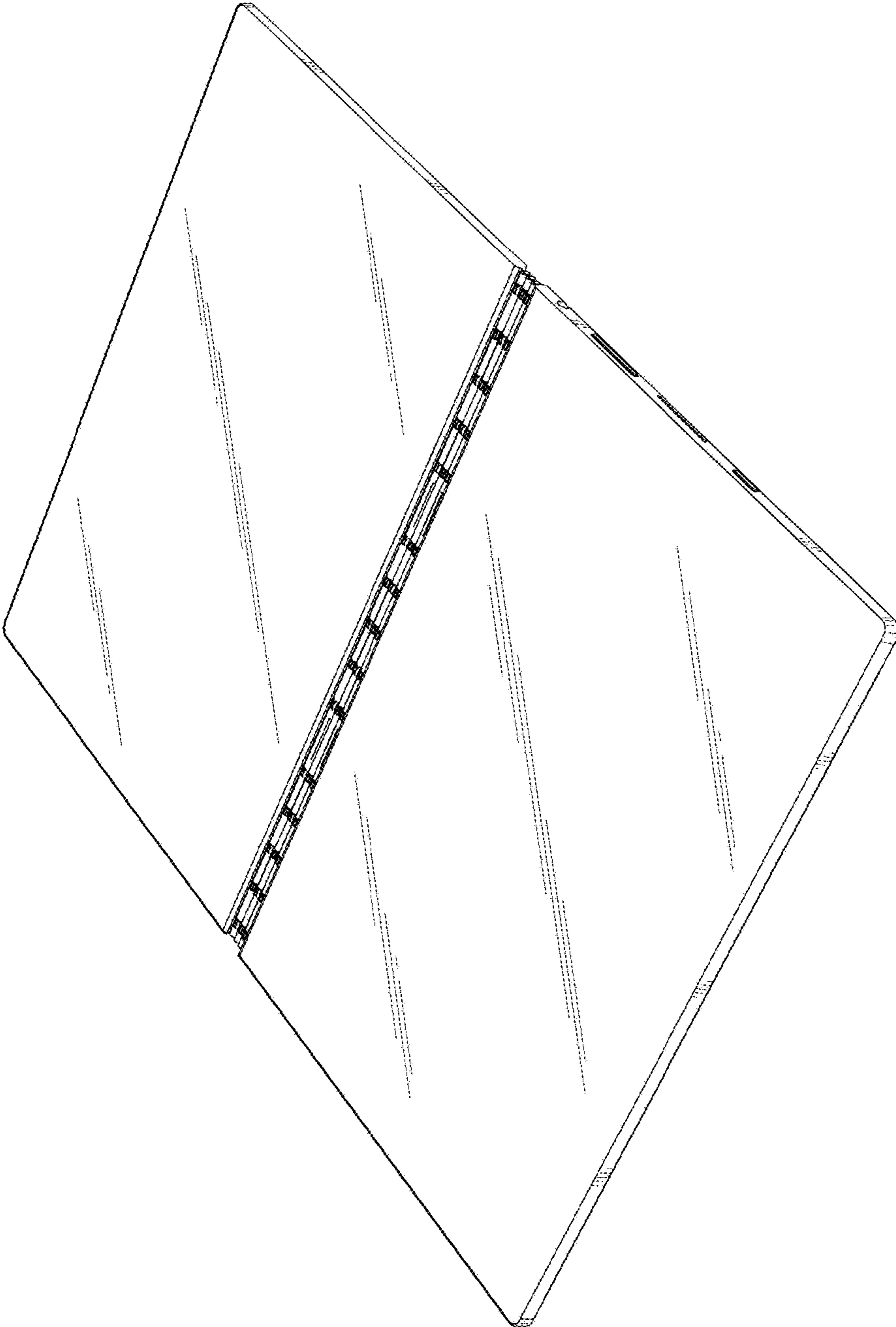


Fig. 14