

US00D811381S

(12) **United States Design Patent** (10) **Patent No.:** **US D811,381 S**
Morohoshi et al. (45) **Date of Patent:** **** Feb. 27, 2018**

(54) **TERMINAL**

(71) Applicants: **Hiroshi Morohoshi**, San Jose, CA
 (US); **Richard Meider**, Sunnyvale, CA
 (US); **Russell Brian Schumacher**, San
 Jose, CA (US)

(72) Inventors: **Hiroshi Morohoshi**, San Jose, CA
 (US); **Richard Meider**, Sunnyvale, CA
 (US); **Russell Brian Schumacher**, San
 Jose, CA (US)

(73) Assignee: **Ricoh Company, Ltd.**, Tokyo (JP)

(**) Term: **15 Years**

(21) Appl. No.: **29/557,547**

(22) Filed: **Mar. 9, 2016**

(51) **LOC (11) Cl.** **14-02**

(52) **U.S. Cl.**
USPC **D14/307**

(58) **Field of Classification Search**
 USPC D14/300, 302–308, 314, 349, 496;
 D13/163, 184, 199; D12/319; D6/641,
 D6/642, 664; D24/185, 186
 CPC A47B 21/00; A47B 21/06; A47B 13/08;
 A47B 35/00; A47B 21/0314; A47B
 17/003; A47B 83/001; G06Q 20/10;
 G06Q 20/18; G06Q 20/20; G06Q 20/123;
 A47F 9/047; A47G 5/00; E04B 2/7433;
 E04H 3/24

See application file for complete search history.

(56) **References Cited**

U.S. PATENT DOCUMENTS

D349,693 S * 8/1994 Brossardt D14/302
 D533,176 S * 12/2006 Becker D14/307

D732,520 S * 6/2015 Themann D14/307
 D751,061 S * 3/2016 Berini D14/307
 2009/0289104 A1* 11/2009 Yoneda G06F 1/16
 235/375
 2013/0215275 A1* 8/2013 Berini G06F 21/32
 348/150

* cited by examiner

Primary Examiner — Freda S Nunn

(74) *Attorney, Agent, or Firm* — Patent Law Works LLP

(57) **CLAIM**

The ornamental design for a terminal, as shown and described.

DESCRIPTION

FIG. 1 is a top, front, and left side perspective view of a terminal showing the new design.

FIG. 2 is a top, rear, and right side perspective view of the terminal showing the new design.

FIG. 3 is a bottom, rear, and left side perspective view of the terminal showing the new design.

FIG. 4 is a front view of the terminal showing the new design.

FIG. 5 is a rear view of the terminal showing the new design.

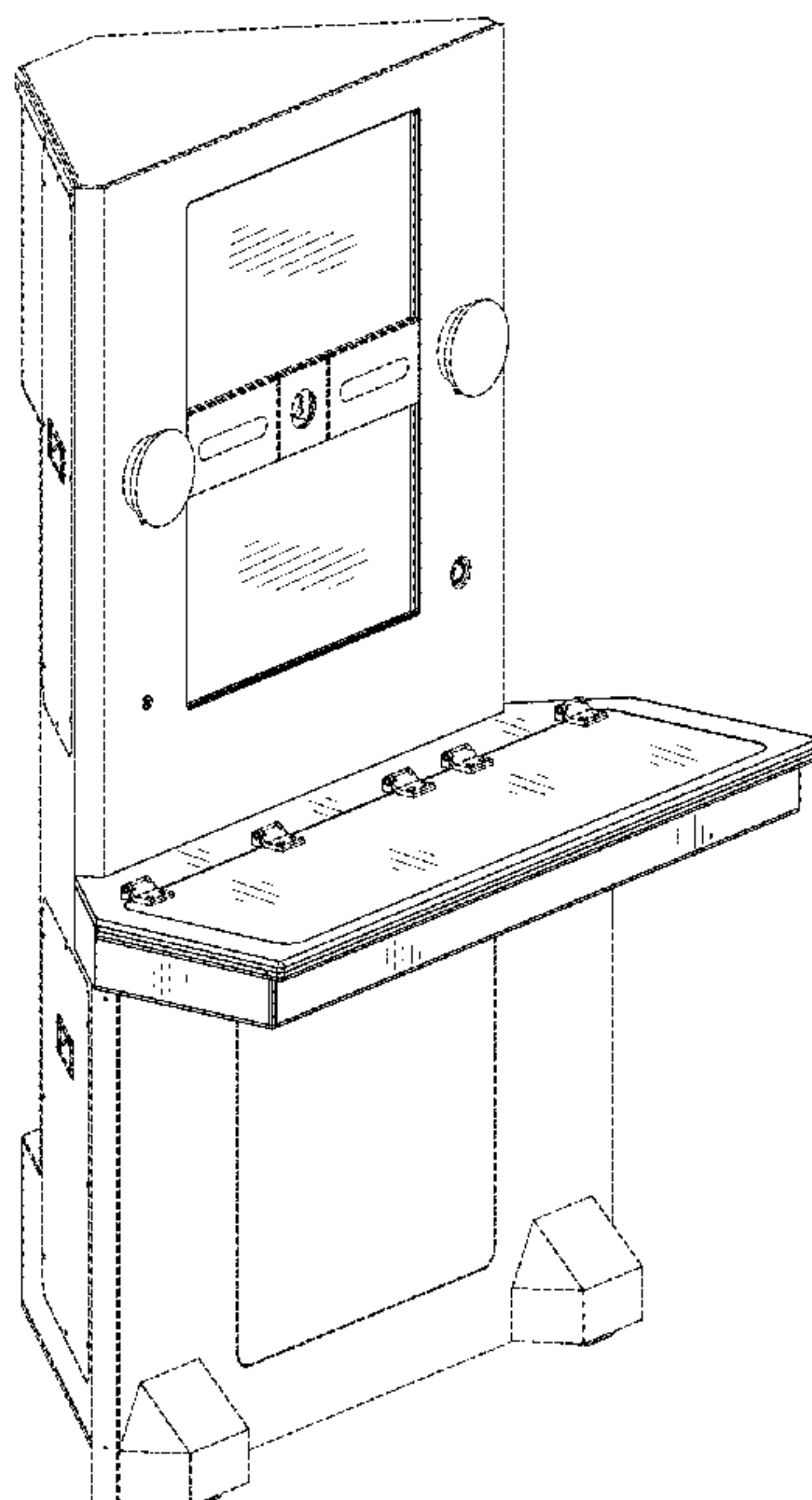
FIG. 6 is a left side view of the terminal showing the new design, (the right side view being a mirror image thereof).

FIG. 7 is a top view of the terminal showing the new design; and,

FIG. 8 is a bottom view of the terminal showing the new design.

The broken lines show unclaimed portions of the terminal and form no part of the claimed design, and the surface shading lines indicate contour or curvature of the surfaces.

1 Claim, 7 Drawing Sheets



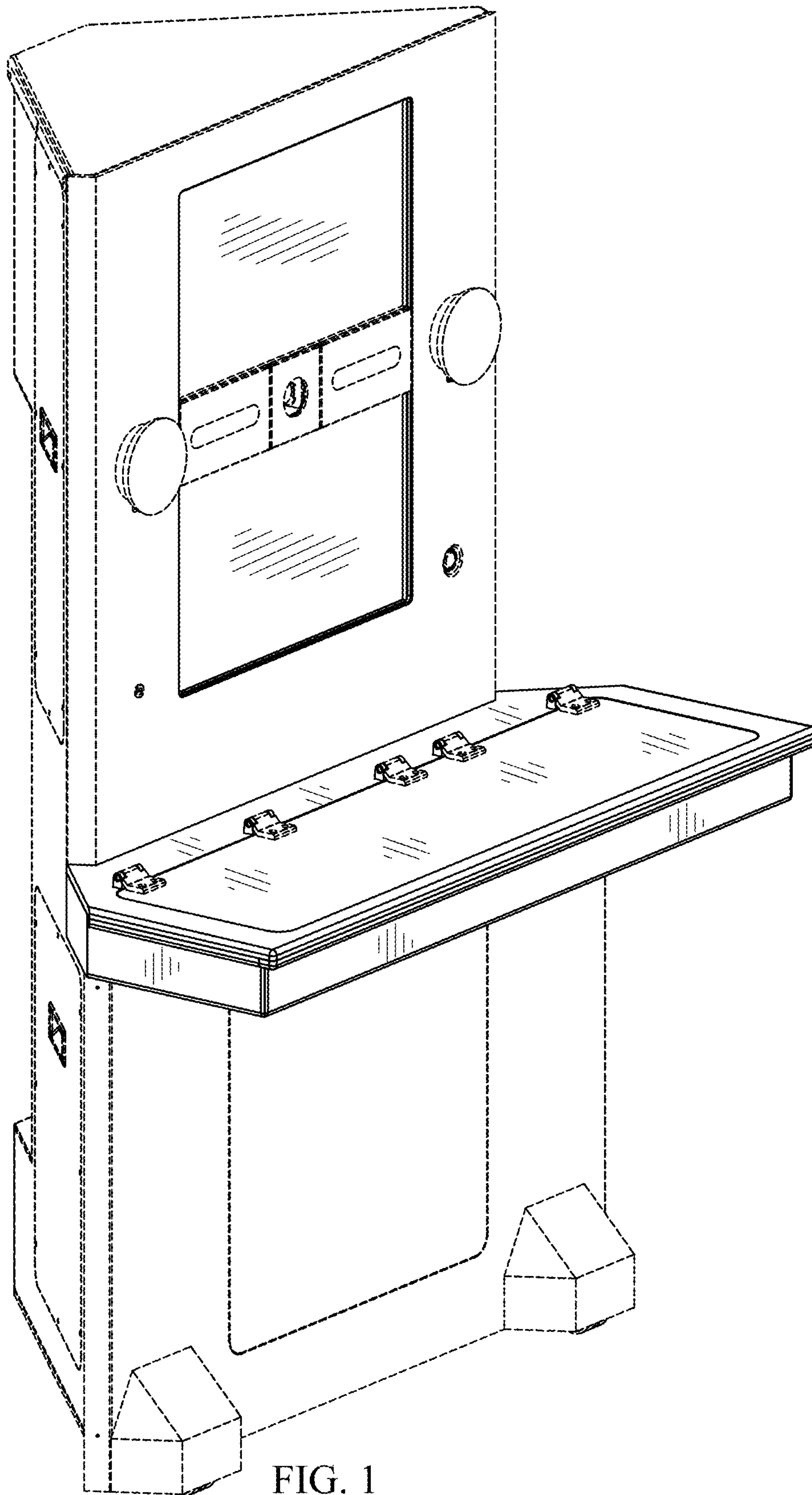


FIG. 1

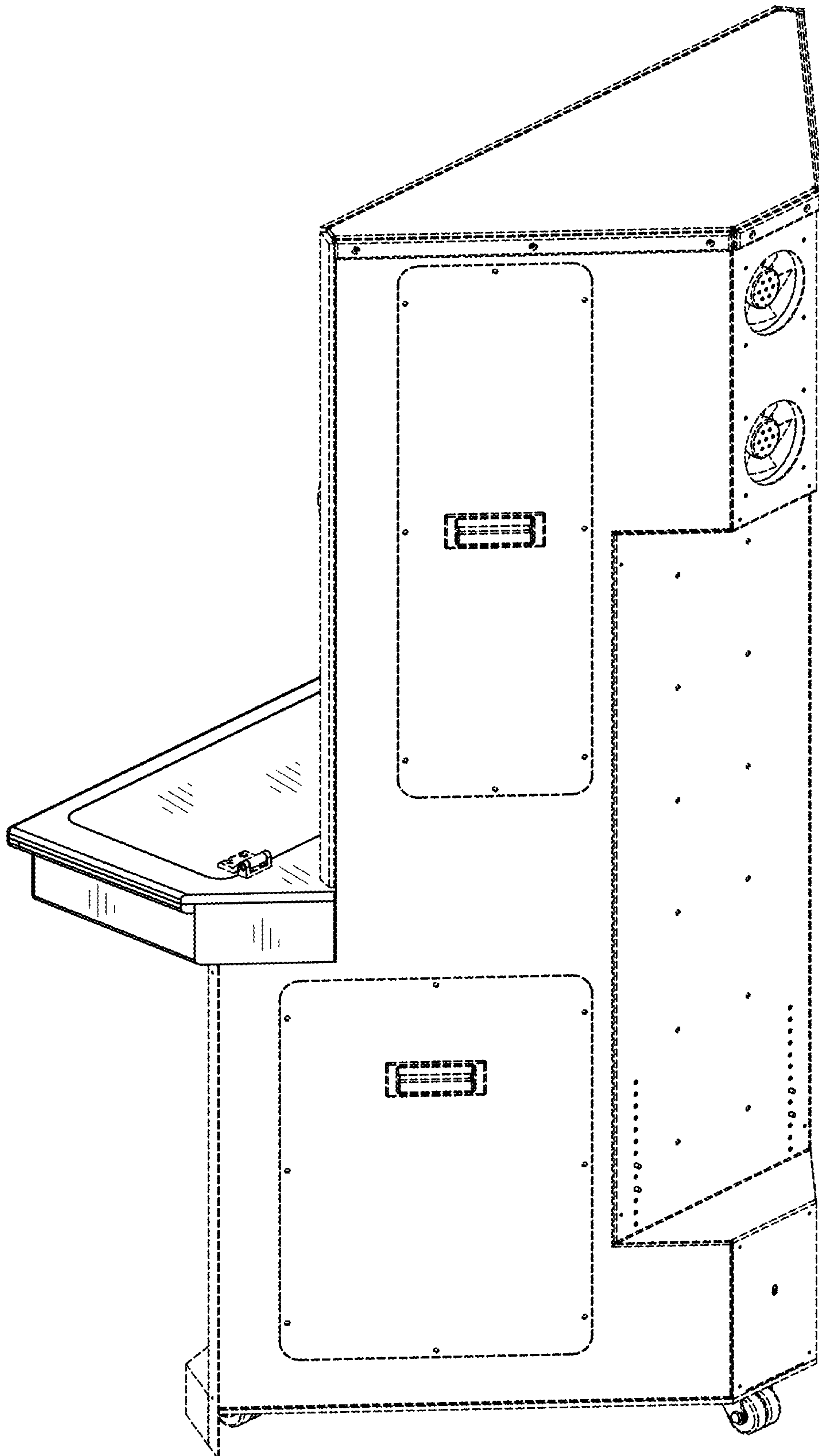


FIG. 2

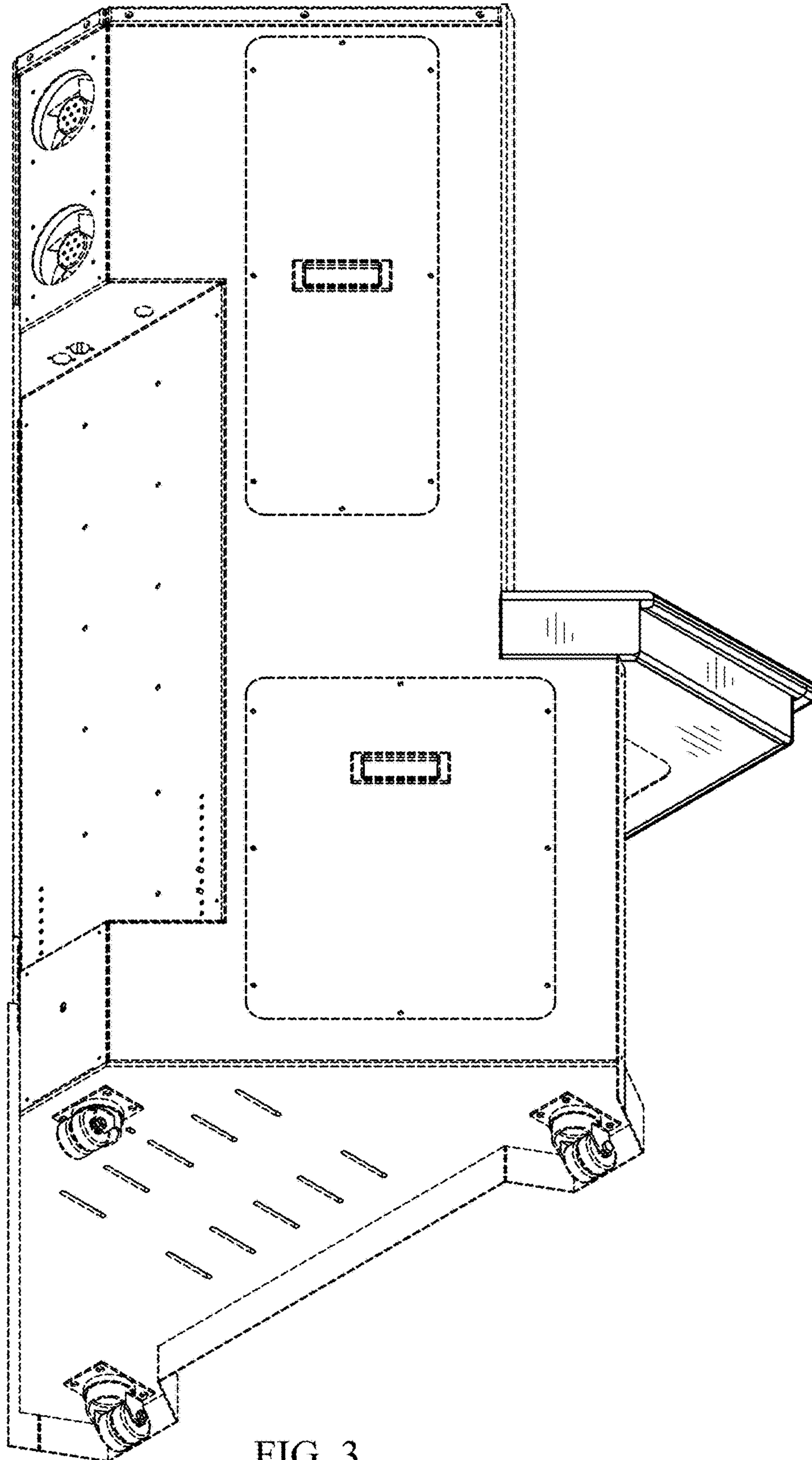


FIG. 3

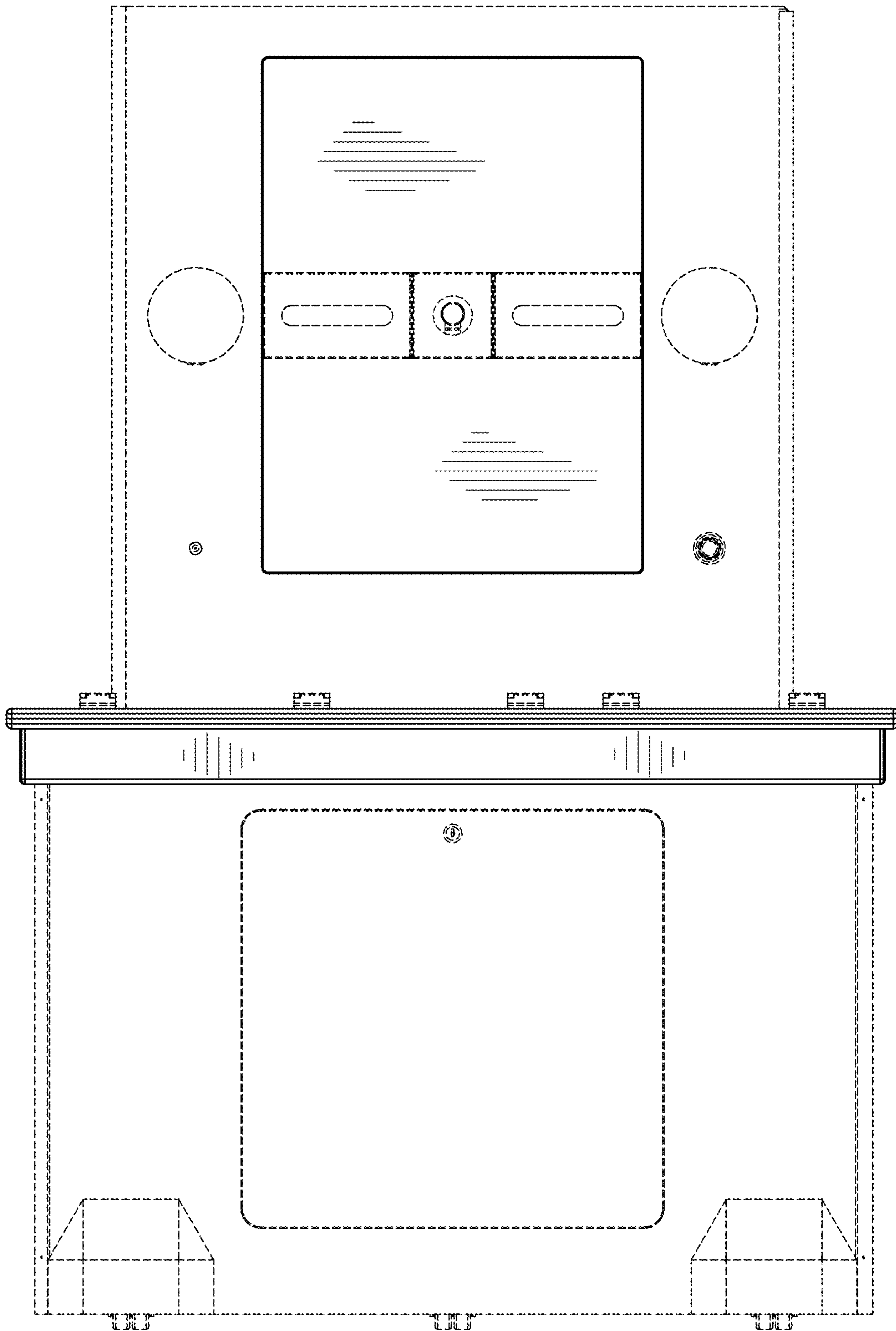


FIG. 4

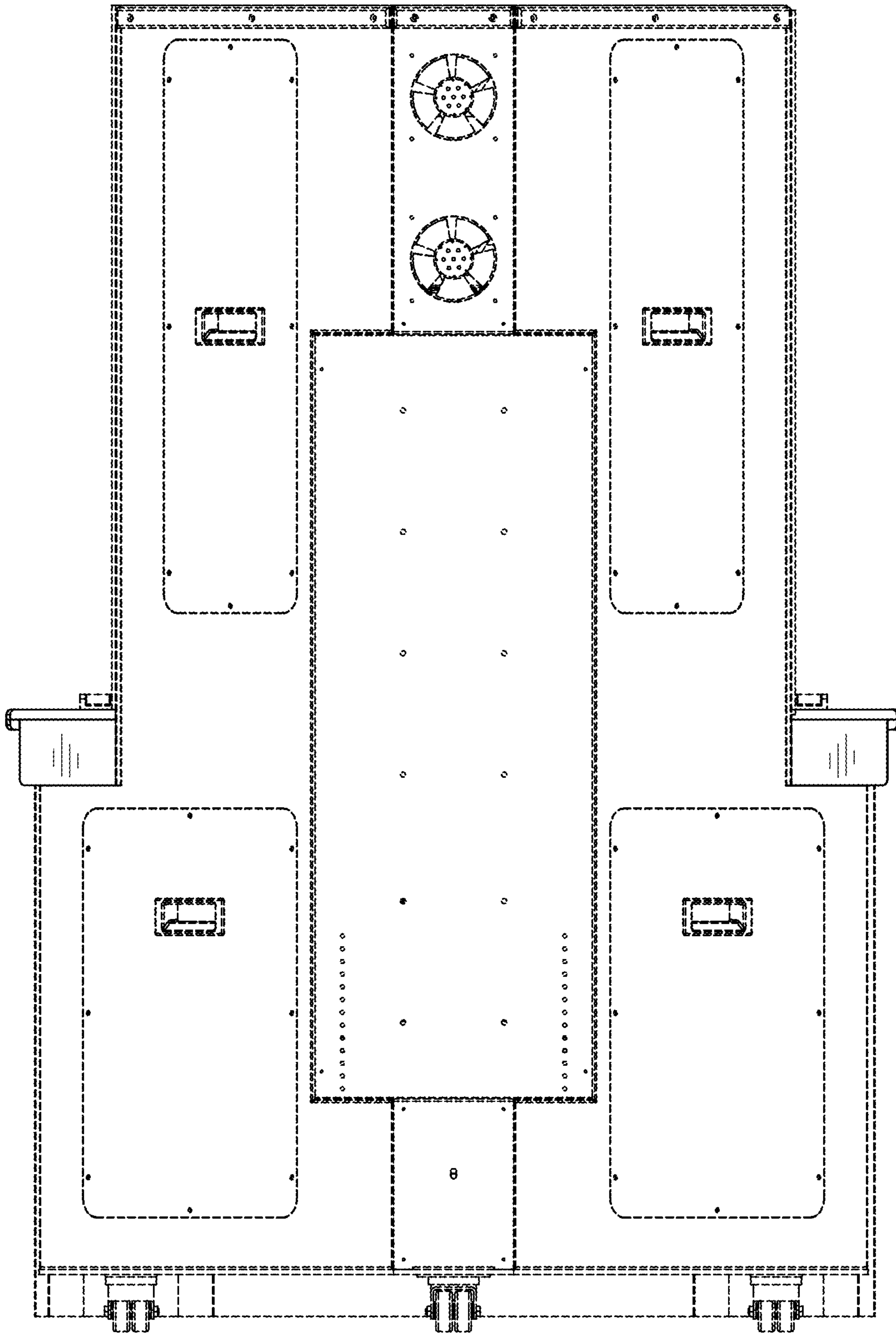


FIG. 5

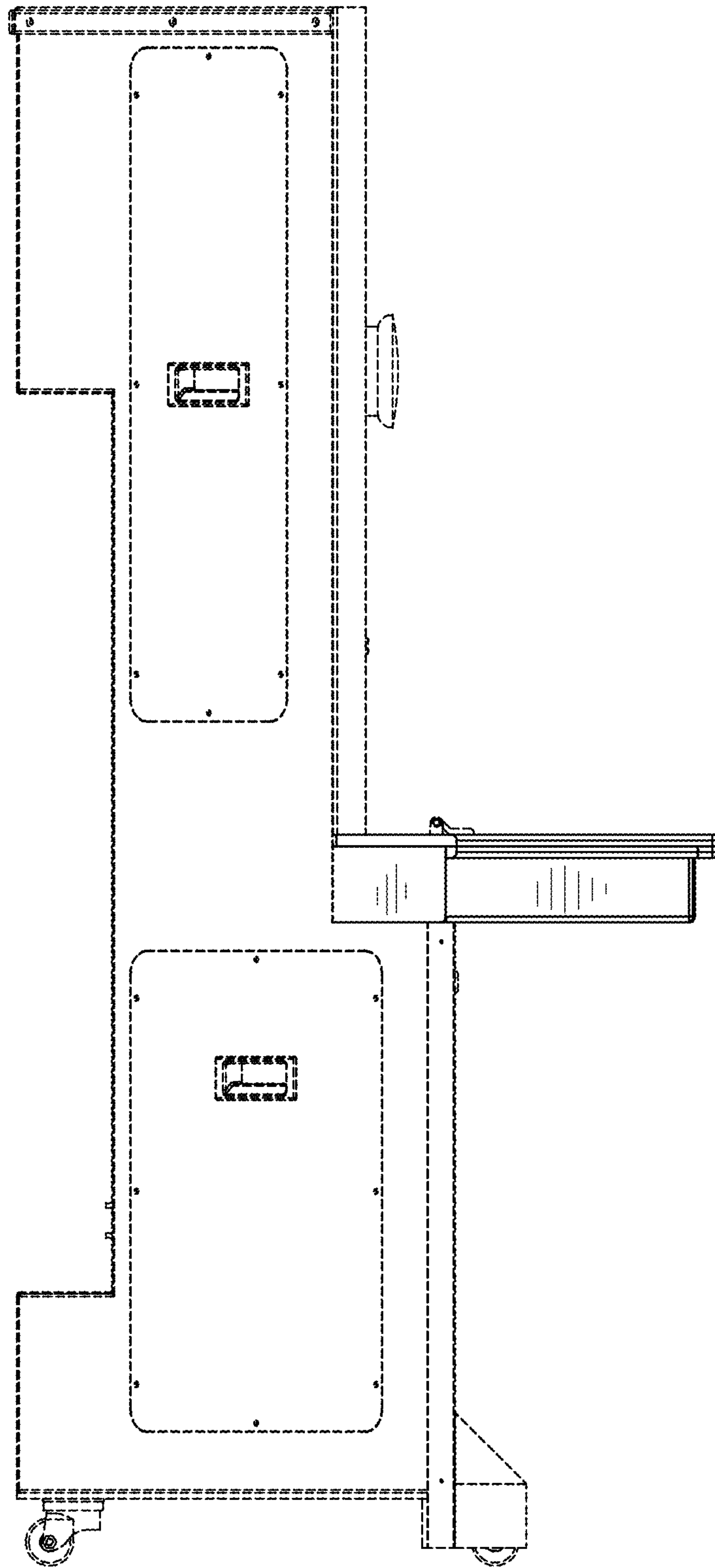


FIG. 6

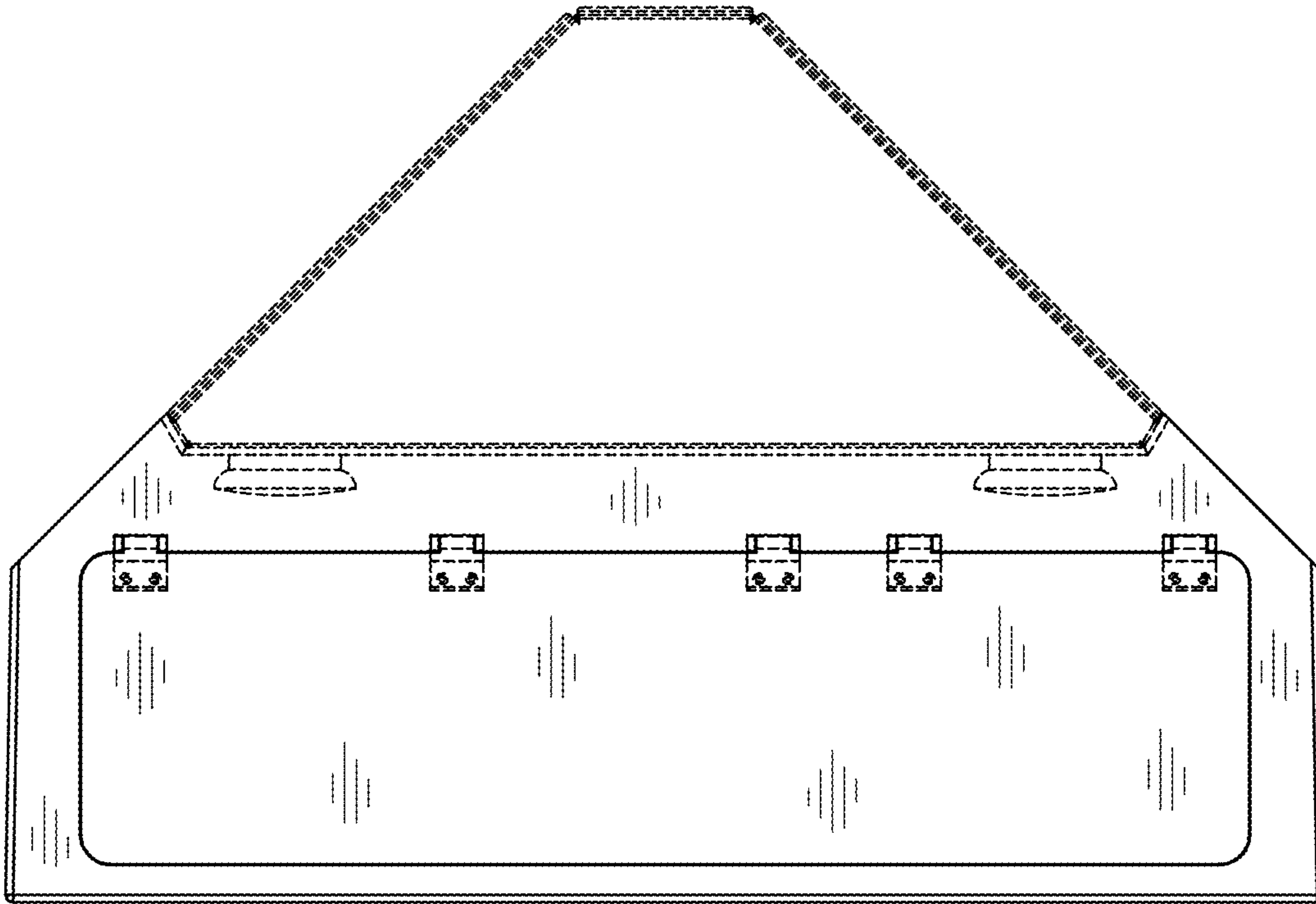


FIG. 7

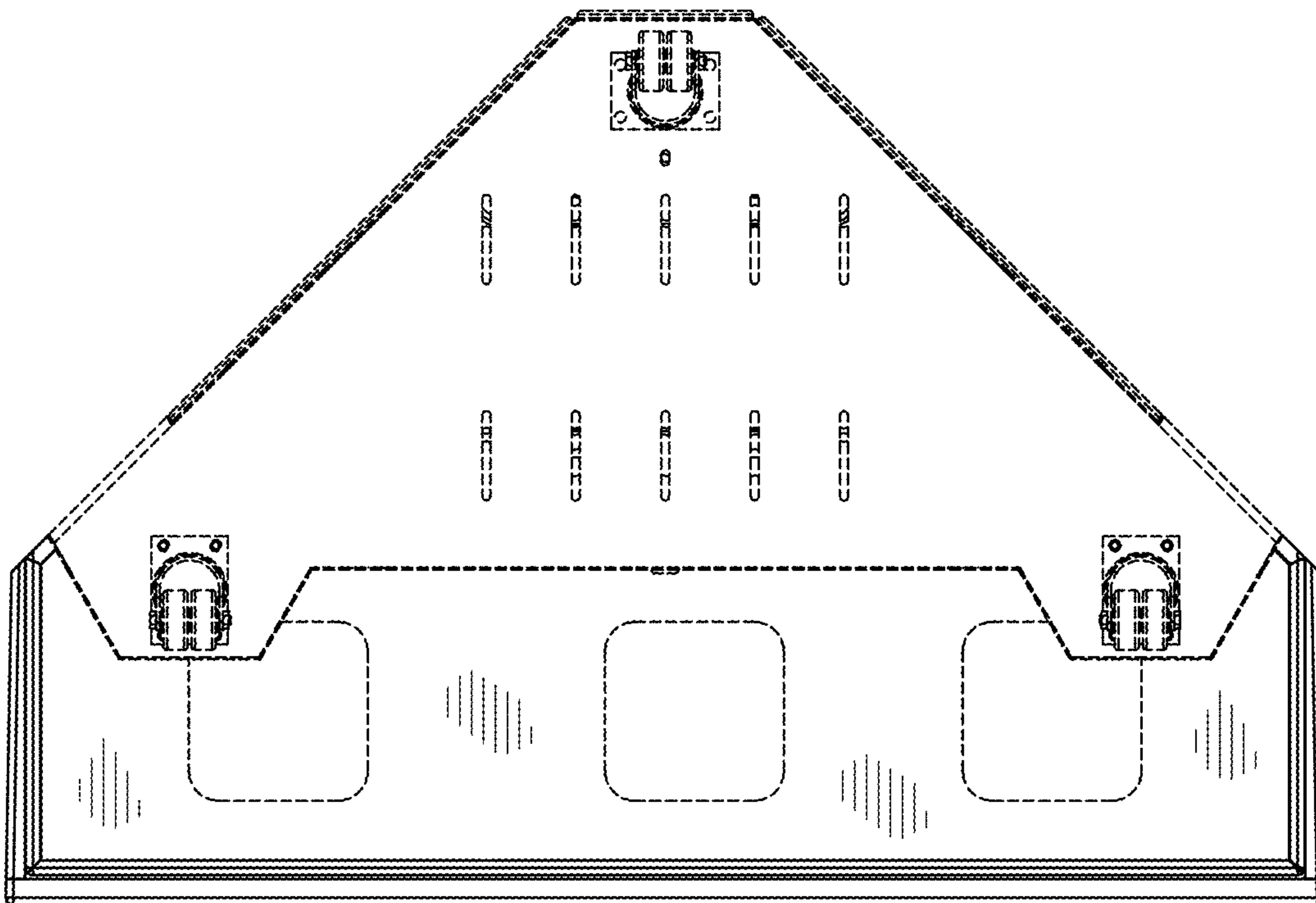


FIG. 8