



US00D811380S

(12) **United States Design Patent** (10) **Patent No.:** **US D811,380 S**
Choi et al. (45) **Date of Patent:** **** Feb. 27, 2018**

(54) **CRADLE FOR ELECTRONIC DEVICE**

(56) **References Cited**

(71) Applicant: **Samsung Electronics Co., Ltd.**,
Suwon-si (KR)

U.S. PATENT DOCUMENTS

(72) Inventors: **Sangwook Choi**, Yongin-si (KR);
Haneol Park, Seoul (KR)

D397,996 S * 9/1998 Smith D13/108
5,952,814 A * 9/1999 Van Lerberghe H02J 7/025
320/108
D422,556 S * 4/2000 Okura D13/107
D477,823 S * 7/2003 Lavello, Sr. D14/149

(73) Assignee: **SAMSUNG ELECTRONICS CO., LTD.**,
Suwon-si (KR)

(Continued)

(**) Term: **15 Years**

FOREIGN PATENT DOCUMENTS

(21) Appl. No.: **29/535,569**

CN 300790806 6/2007
KR 30-0417642 6/2006
KR 30-0519401 2/2009

(22) Filed: **Aug. 7, 2015**

OTHER PUBLICATIONS

(30) **Foreign Application Priority Data**

<http://comreview.tistory.com/3435> (Last accessed Oct. 7, 2015).

Feb. 10, 2015 (KR) 30-2015-0007167

(51) **LOC (11) Cl.** **14-03**

Primary Examiner — Janice Hallmark

(52) **U.S. Cl.**

(74) *Attorney, Agent, or Firm* — McAndrews Held & Malloy, Ltd.

USPC **D14/253**; D13/107

(58) **Field of Classification Search**

(57) **CLAIM**

The ornamental design for a cradle for electronic device, as shown and described.

USPC D14/253, 251, 252, 447, 451, 452, 440,
D14/434, 458, 432, 439, 457, 460, 238.1,
D14/140, 142, 149, 217, 148, 140.8,
D14/140.11, 209.1, 151, 140.9, 250, 238,
D14/218; D13/107, 108; D12/415, 223,
D12/114, 420, 417, 407, 177; D3/218;
D16/242–245, 250, 237, 203, 214, 219;
D8/349; D6/675, 672, 673, 675.4, 553,
D6/676, 310, 406.3, 406.4, 406.5, 406.6,
D6/407, 567, 300, 682.3; 248/459, 460

DESCRIPTION

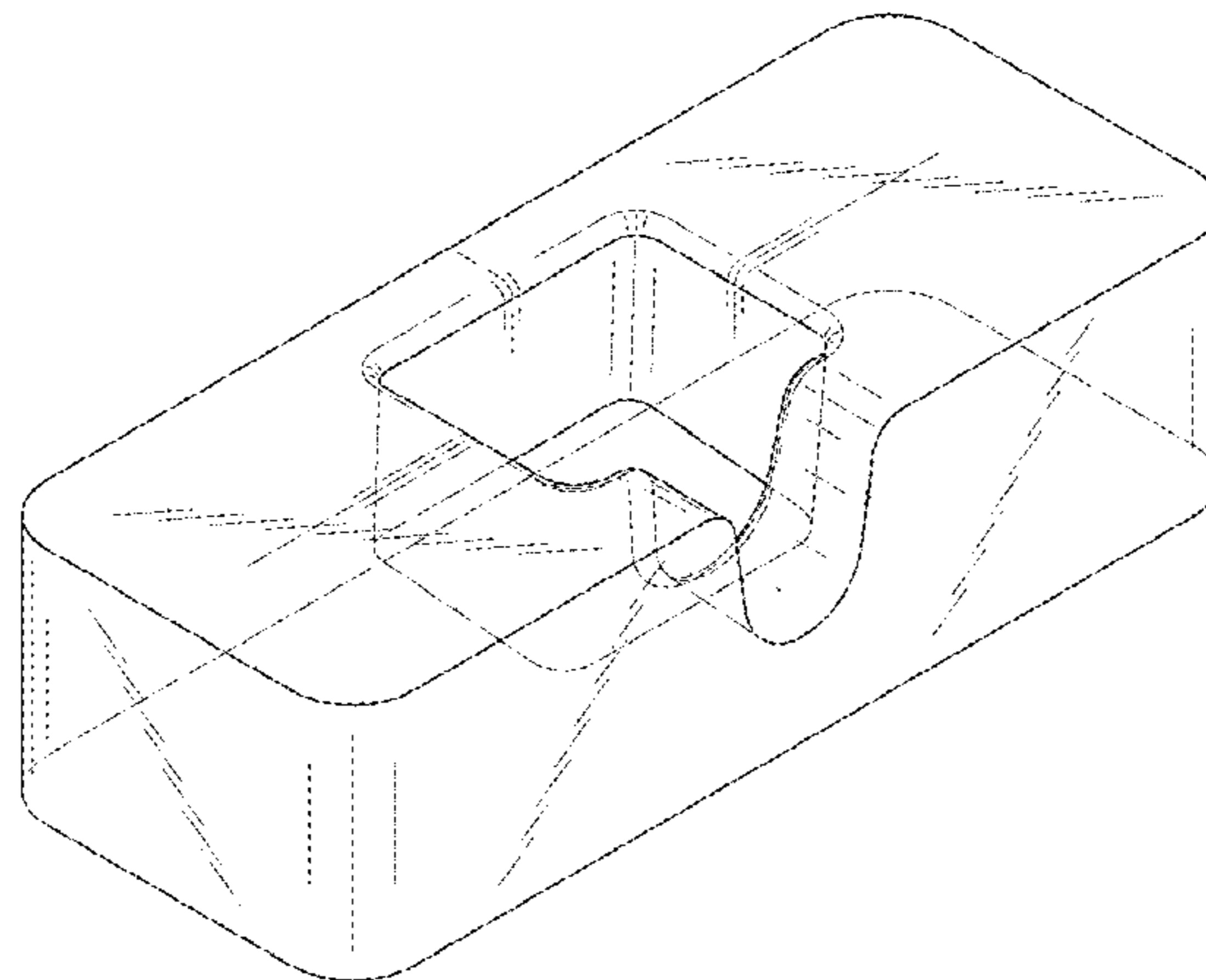
CPC B60R 2011/0008; B60R 11/02; B60R
11/0241; B60R 11/0258; B60R 11/0252;
B60R 2011/0294; F16M 11/00; F16M
11/04; F16M 11/041; F16M 11/02; F16M
11/06; F16M 13/00; H04M 1/02; H04M
1/04; H04M 1/11; H04M 1/12; A47F
7/022; B62J 11/00; H05K 7/00; G03B
17/56

FIG. 1 is a front perspective view of a cradle for electronic device showing our new design;
FIG. 2 is a front view thereof;
FIG. 3 is a rear view thereof;
FIG. 4 is a left side view thereof;
FIG. 5 is a right side view thereof;
FIG. 6 is a top view thereof;
FIG. 7 is a bottom view thereof; and,
FIG. 8 is a left side cross-sectional view taken along the line 8-8 of FIG. 6.

The numbers, arrows, and associated broken lines in FIG. 6 represent a plane along which a cross-sectional view is taken and form no part of the claimed design.

See application file for complete search history.

1 Claim, 5 Drawing Sheets



(56)

References Cited

U.S. PATENT DOCUMENTS

D495,336	S	*	8/2004	Andre	D14/434
D532,005	S	*	11/2006	Leith	D14/253
D558,193	S	*	12/2007	Ju	D14/253
D558,739	S		1/2008	Andre et al.		
D567,800	S	*	4/2008	Andre	D14/217
D570,830	S	*	6/2008	Sukeguchi	D14/155
D571,360	S		6/2008	Andre et al.		
D576,547	S	*	9/2008	Kling	D13/108
D580,855	S	*	11/2008	Haspil	D13/108
D580,856	S	*	11/2008	Haspil	D13/108
D596,160	S	*	7/2009	Andre	D14/217
D599,784	S	*	9/2009	Hansen	D14/217
D609,211	S	*	2/2010	Quiros	D14/148
D615,958	S	*	5/2010	Tkachuk	D14/148
D623,591	S	*	9/2010	Wisniewski	D13/108
D623,641	S	*	9/2010	Harden	D14/253
D625,729	S	*	10/2010	McNames	D10/65
D626,940	S	*	11/2010	Andre	D14/217
D633,476	S	*	3/2011	Andre	D14/217
D643,398	S	*	8/2011	Zakarias	D14/148
D652,040	S	*	1/2012	Morgan	D14/434
D654,078	S	*	2/2012	Zhou	D14/434
D662,491	S	*	6/2012	Andre	D13/108
D669,461	S	*	10/2012	Wikel	D14/253
D670,283	S	*	11/2012	Wikel	D14/253
D676,017	S	*	2/2013	Chou	D14/149
D726,690	S	*	4/2015	Andre	D14/217
D732,501	S	*	6/2015	Isaacs	D14/142
D733,099	S	*	6/2015	Pupecki	D14/217
D734,384	S	*	7/2015	Han	D14/253
D751,079	S	*	3/2016	Skjoldborg	D14/434
D760,721	S	*	7/2016	Akana	D14/434

* cited by examiner

FIG. 1

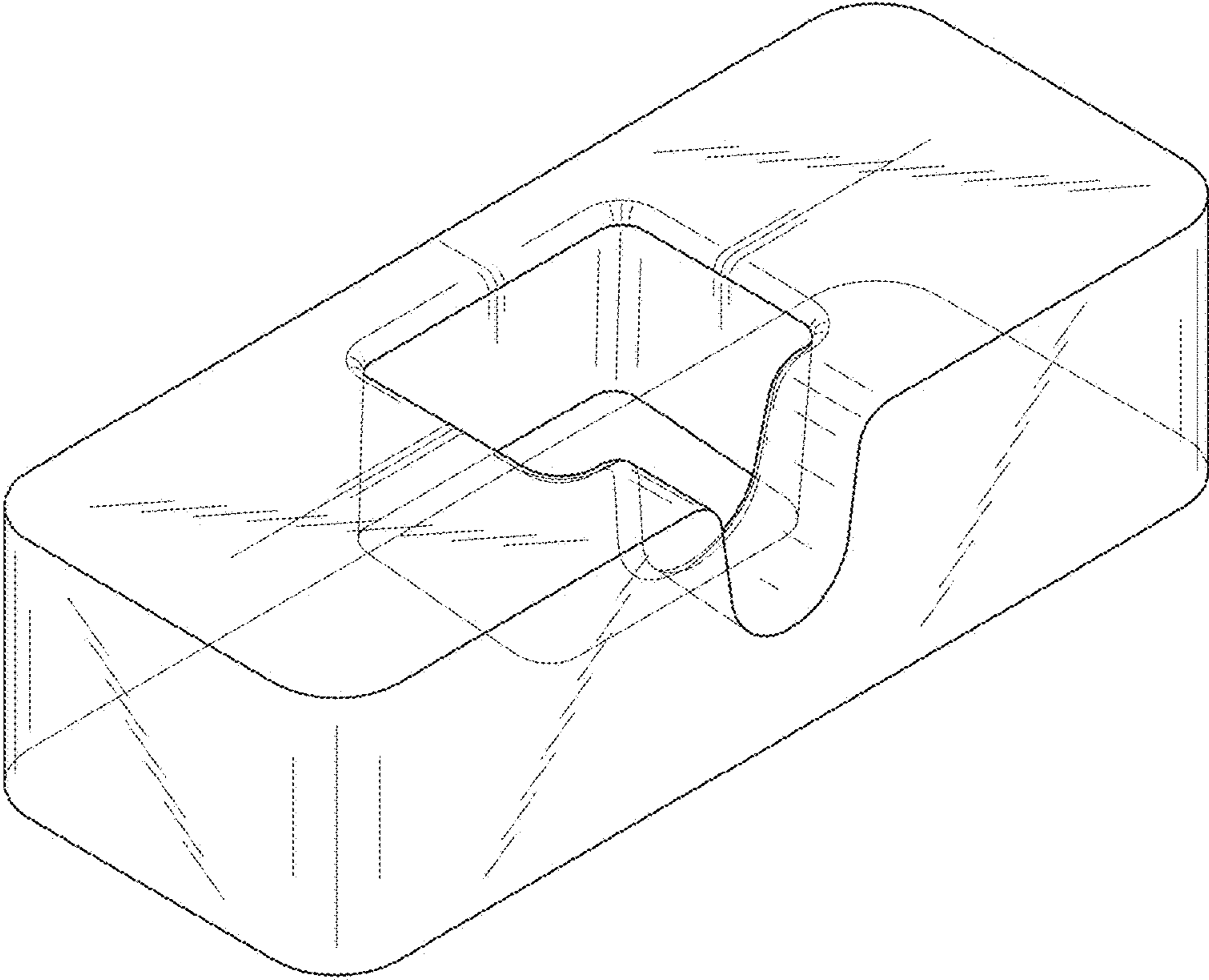


FIG. 2

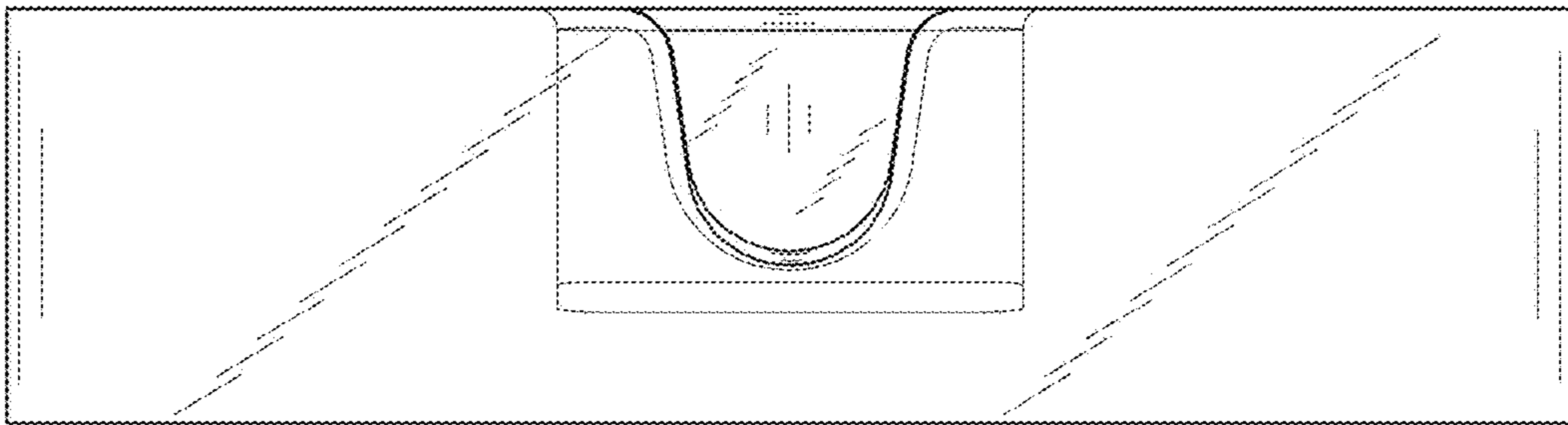


FIG. 3

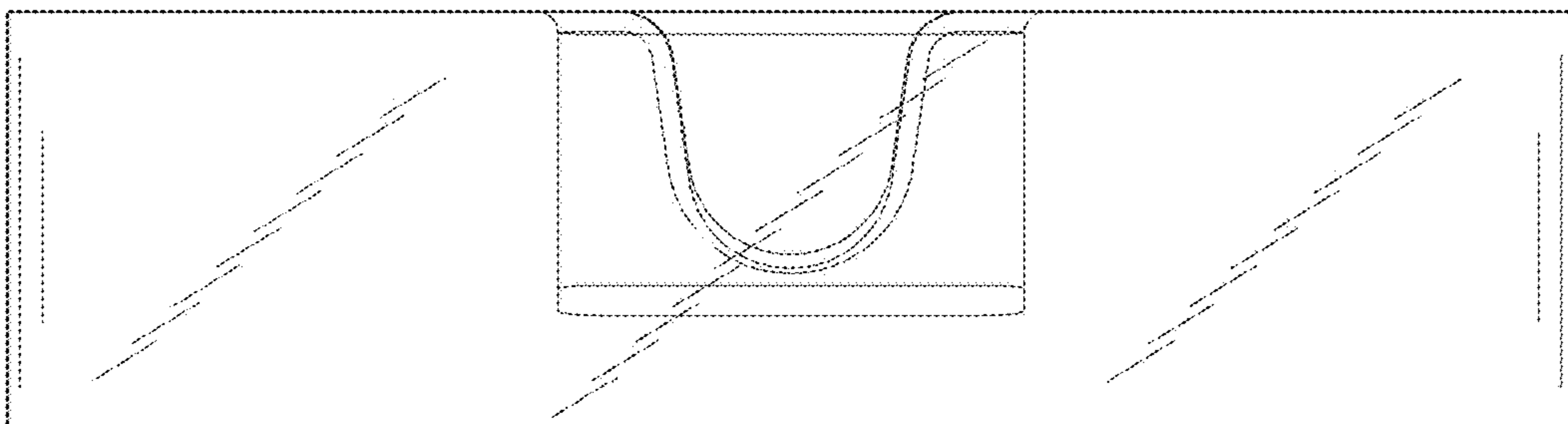


FIG. 4

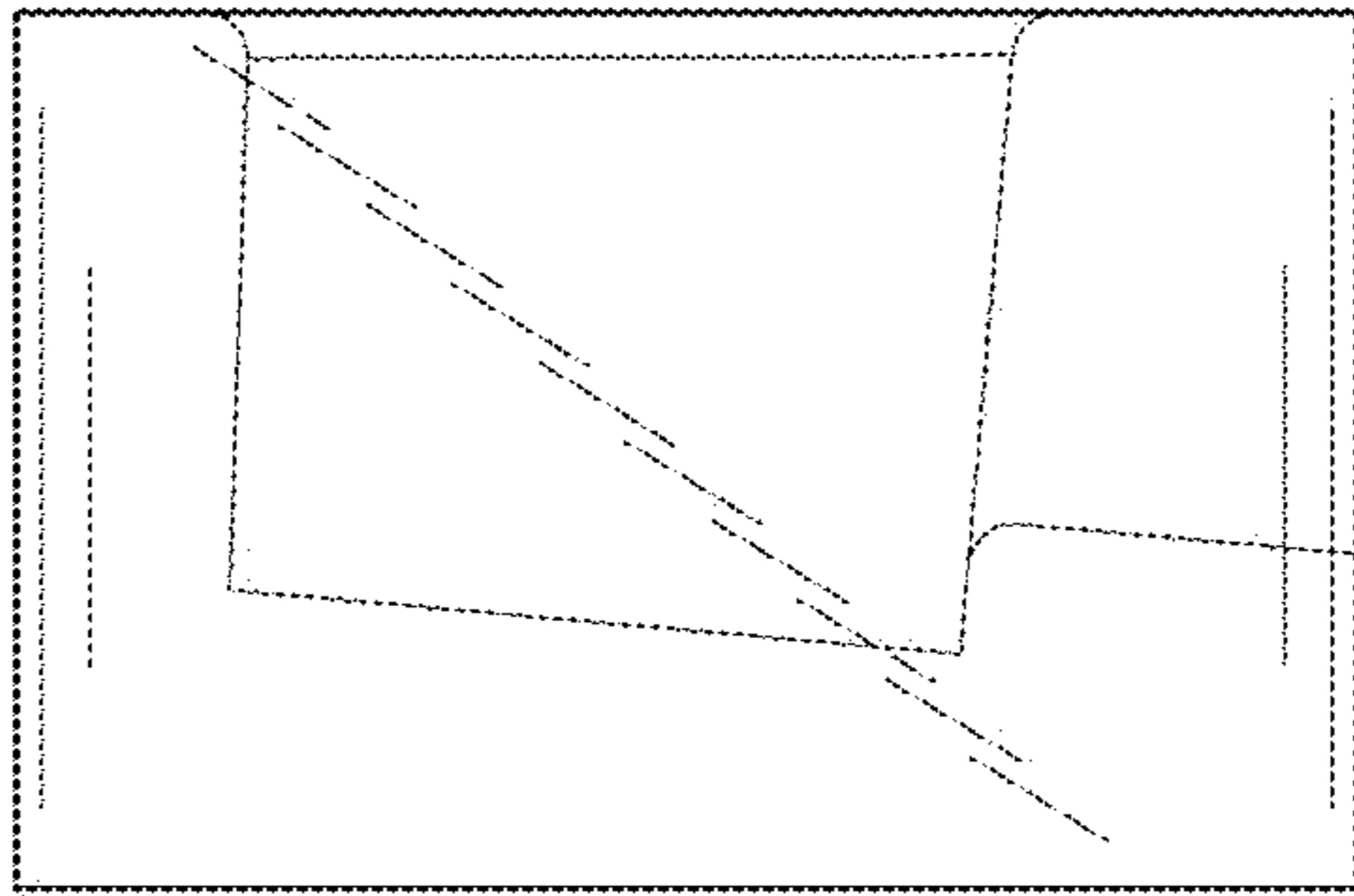


FIG. 5

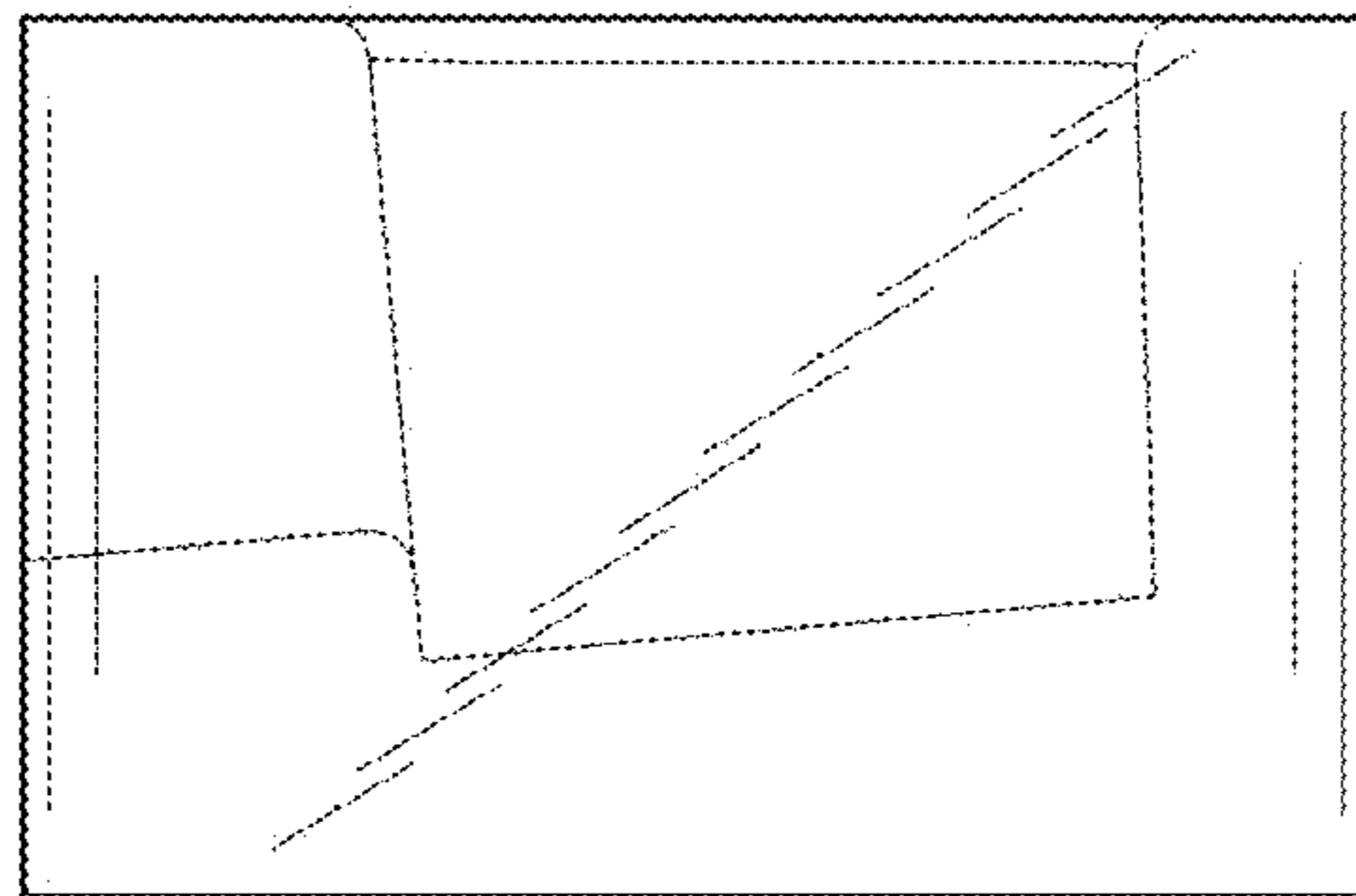


FIG. 6

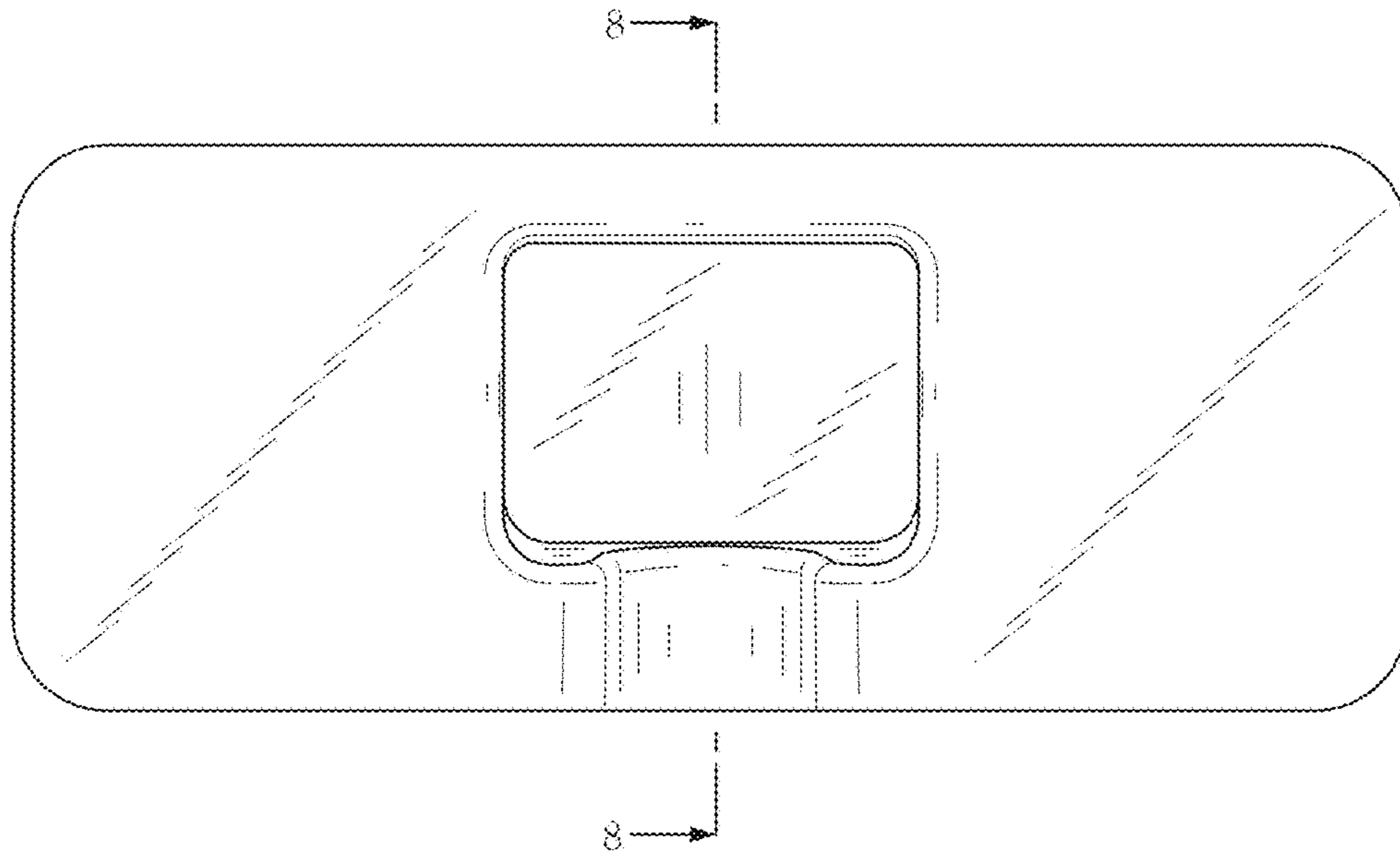


FIG. 7

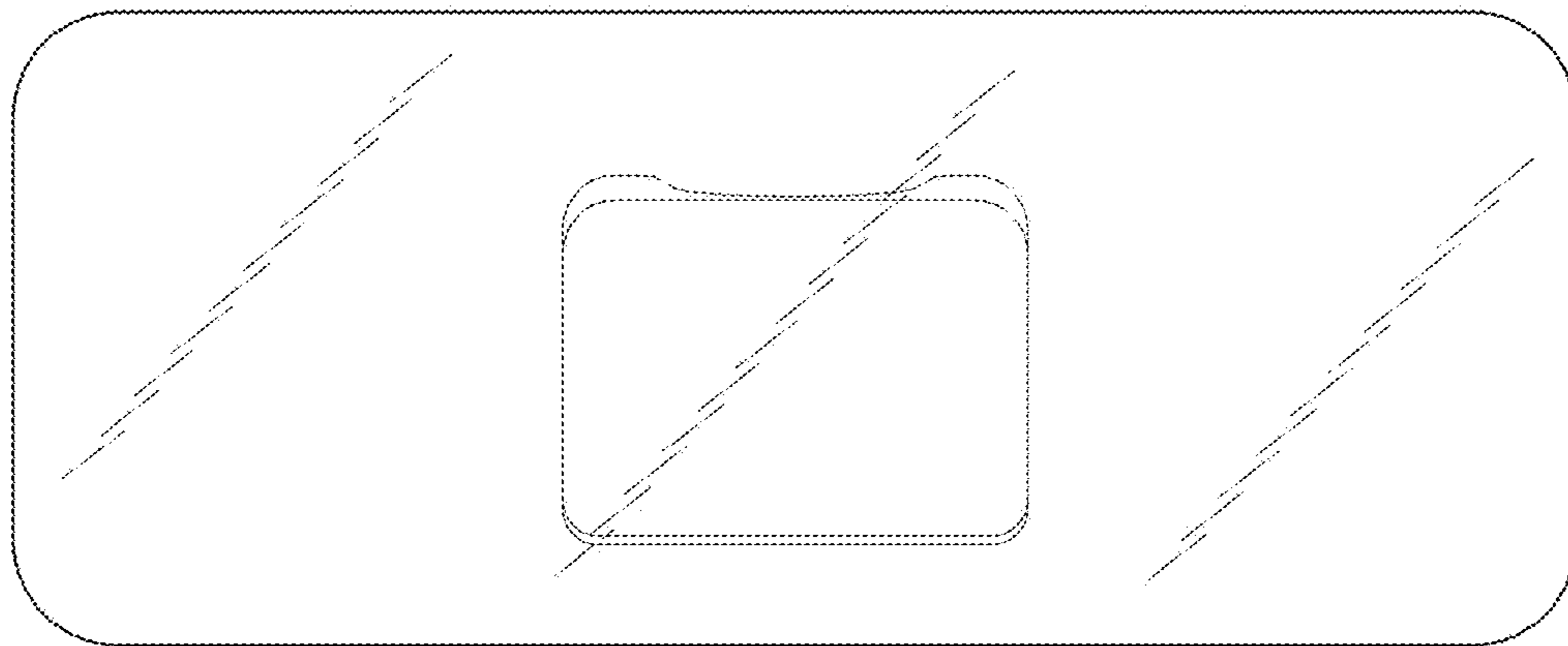


FIG. 8

