



US00D811376S

(12) **United States Design Patent** (10) **Patent No.:** **US D811,376 S**  
**Pei** (45) **Date of Patent:** **\*\* Feb. 27, 2018**

(54) **SUPPORT FRAME OF FLAT PANEL TV SET**

D650,373 S \* 12/2011 Stemple ..... D14/239  
D684,566 S \* 6/2013 Sexton ..... D14/239  
D694,739 S \* 12/2013 Badillo ..... D14/239  
D700,593 S \* 3/2014 Xiang ..... D14/239

(71) Applicant: **Xubo Pei**, Shenzhen (CN)

(72) Inventor: **Xubo Pei**, Shenzhen (CN)

\* cited by examiner

(\*\*) Term: **15 Years**

*Primary Examiner* — Randall H Gholson

(21) Appl. No.: **29/588,047**

(74) *Attorney, Agent, or Firm* — Novoclaims Patent Services LLC; Mei Lin Wong

(22) Filed: **Dec. 16, 2016**

(51) **LOC (11) Cl.** ..... **14-03**

(57) **CLAIM**

(52) **U.S. Cl.**

The ornamental design of a support frame of flat panel TV set, as shown and described.

USPC ..... **D14/239**

(58) **Field of Classification Search**

**DESCRIPTION**

USPC ..... D14/239, 371, 136, 374-377; D8/363, D8/373, 349, 394; 248/465, 917-924, 248/123.11; 348/825, 827, 836, 837, 838, 348/180, 184, 325, 739; 600/443; D6/477-479, 407, 474, 460, 461, 468; 312/7.2; 341/12; 345/87, 104, 133, 156, 345/168, 169, 173; 720/605, 669, 600, 720/655; 369/99, 197; 455/344-347; 349/1, 2, 11, 62; 108/59, 91, 92, 96; 211/40, 41.12, 42, 49.1, 50, 85.2, 90.04, 211/187, 190, 119.003, 134.153, 87.01, 211/71.01

FIG. 1 is a perspective view of a support frame of flat panel TV set in accordance with the present invention.  
FIG. 2 is another perspective view thereof showing from a different view angle.  
FIG. 3 is a front view thereof.  
FIG. 4 is a rear view thereof.  
FIG. 5 is a left end view thereof.  
FIG. 6 is a right end view thereof.  
FIG. 7 is a top view thereof.  
FIG. 8 is a bottom view thereof.  
FIG. 9 is another perspective view thereof showing an in use position; and,  
FIG. 10 is another perspective view thereof showing another in use position.

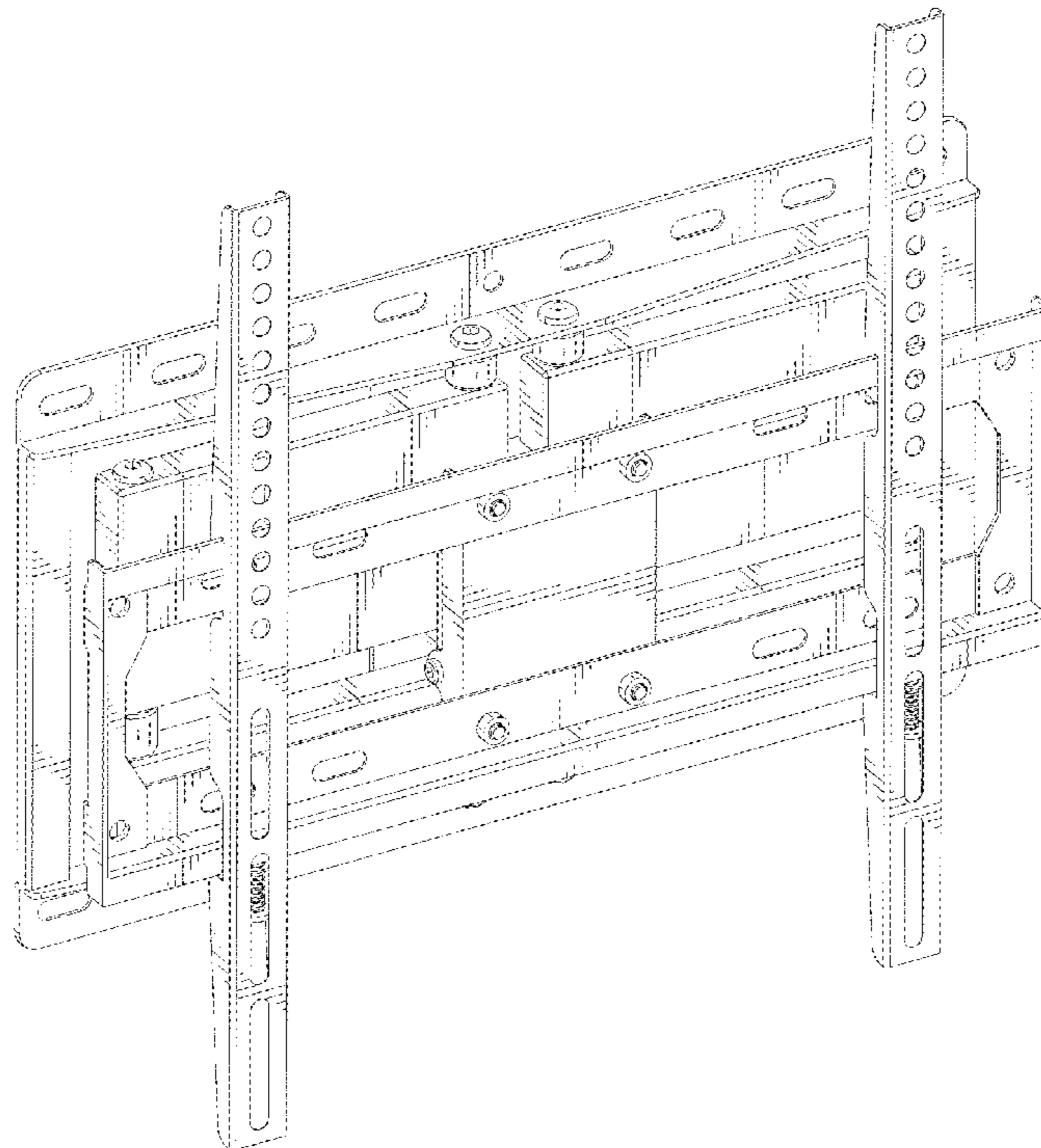
CPC ..... A47B 43/00; G03B 1/00  
See application file for complete search history.

(56) **References Cited**

U.S. PATENT DOCUMENTS

**1 Claim, 10 Drawing Sheets**

D581,916 S \* 12/2008 Sculler ..... D14/239  
D635,130 S \* 3/2011 Skull ..... D14/239



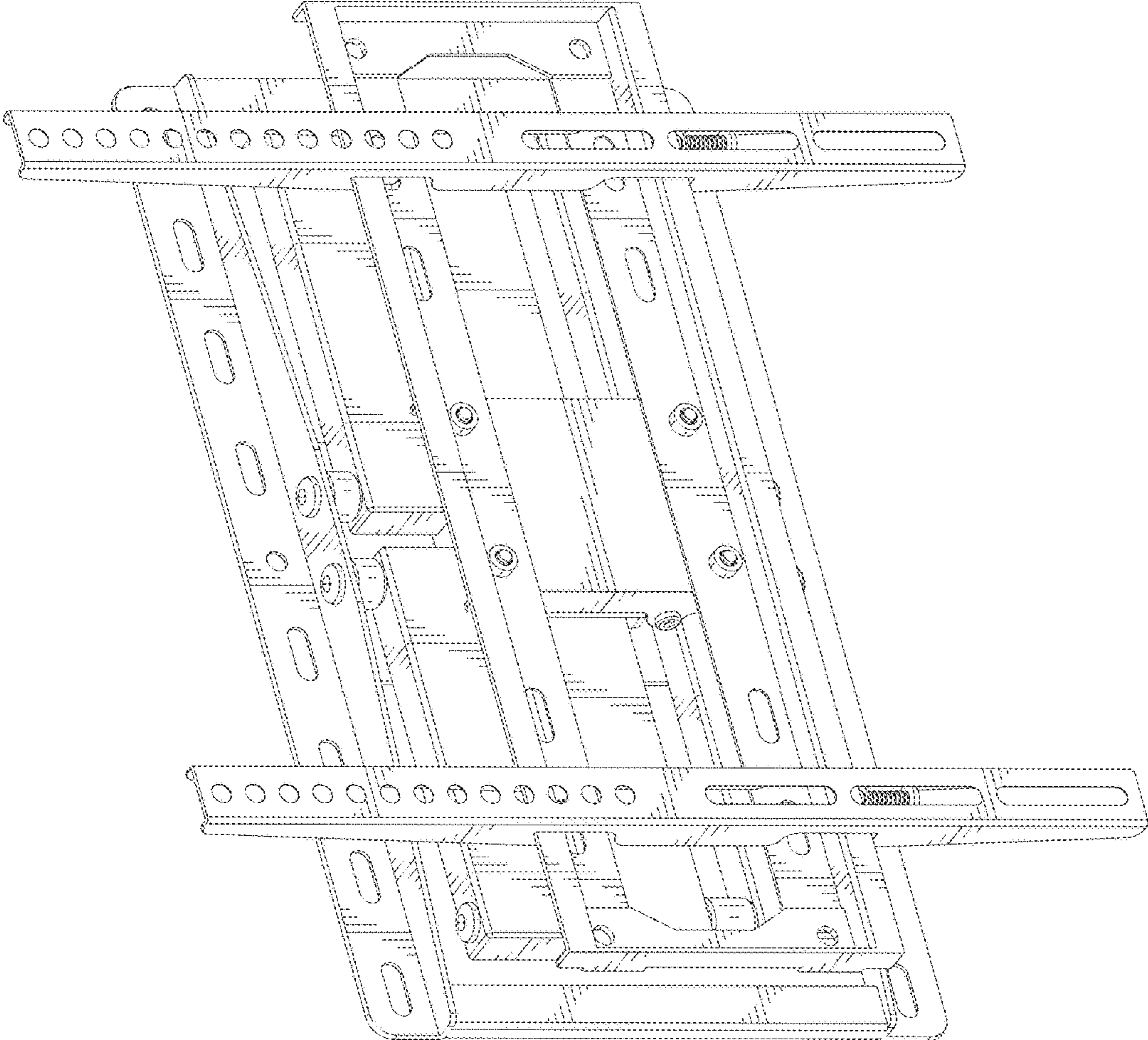


FIG.1

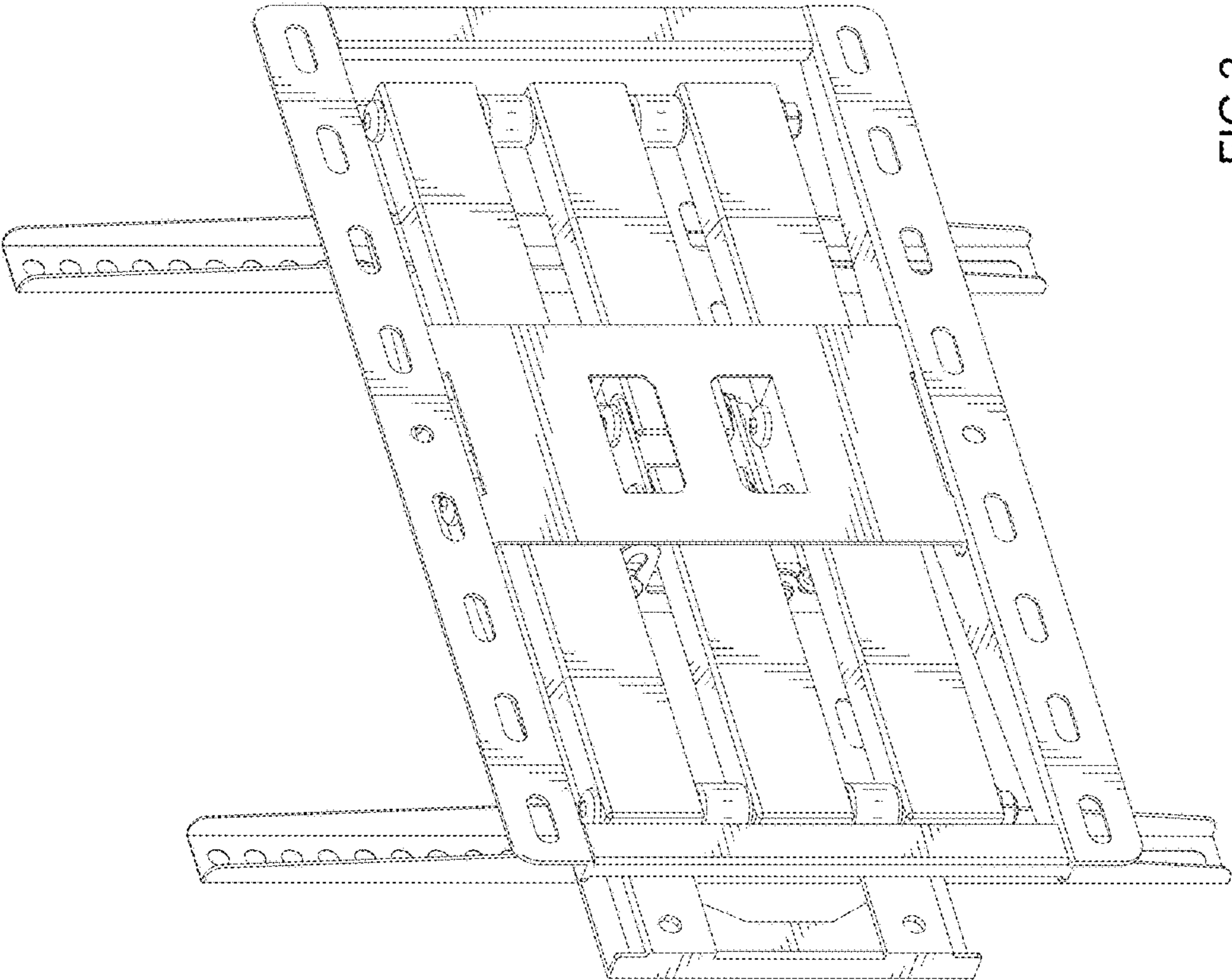


FIG.2

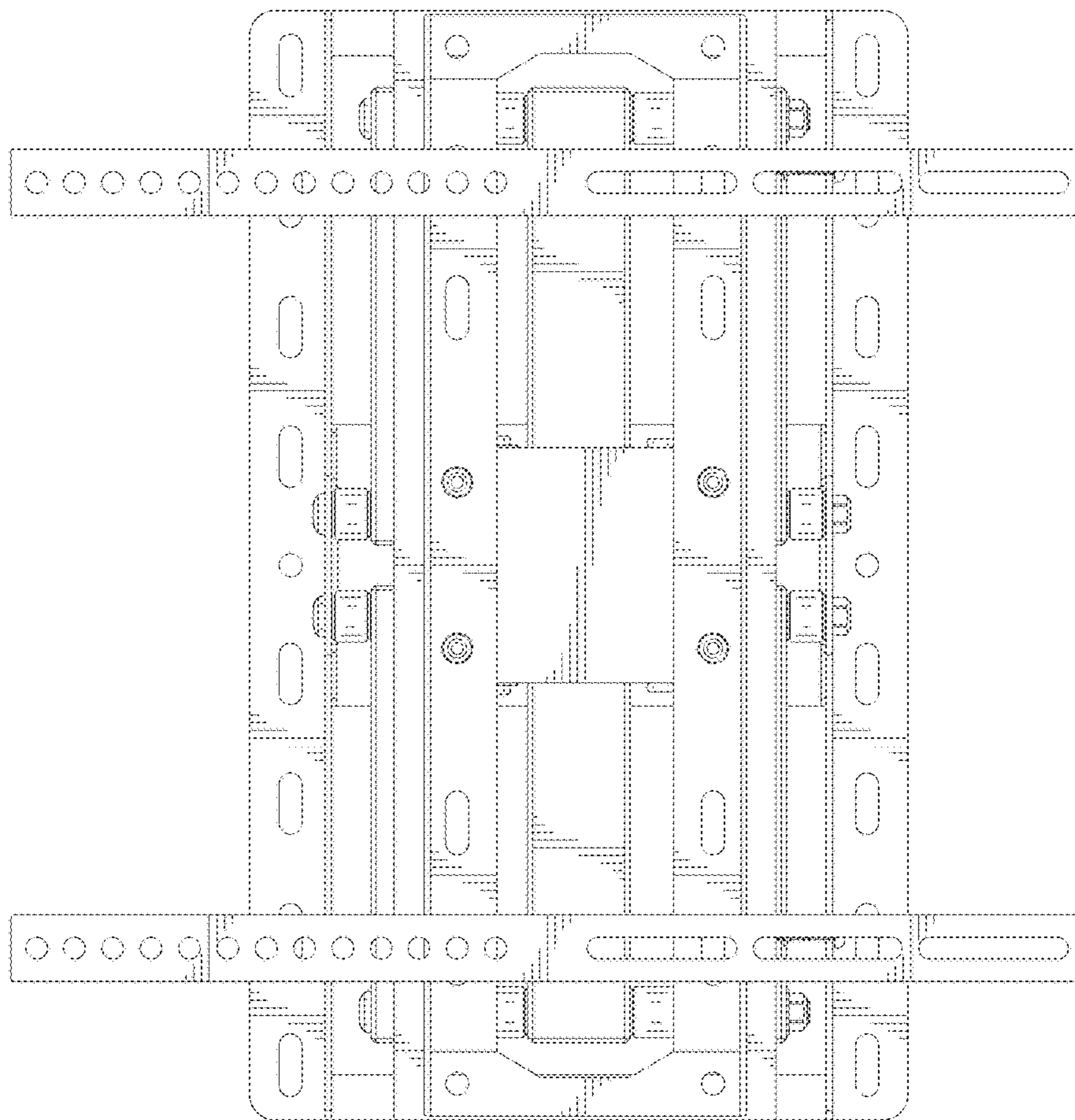


FIG.3

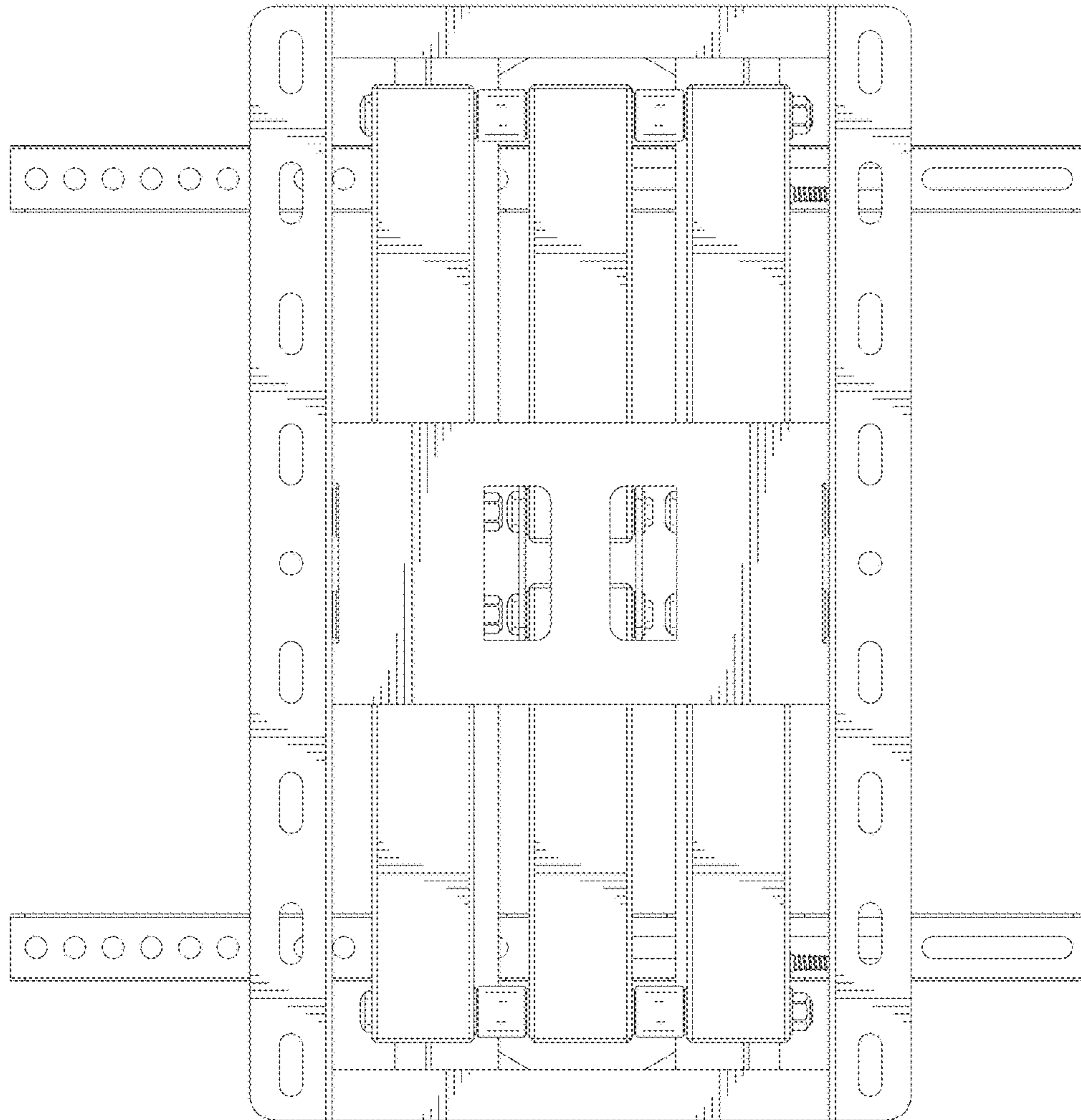


FIG.4

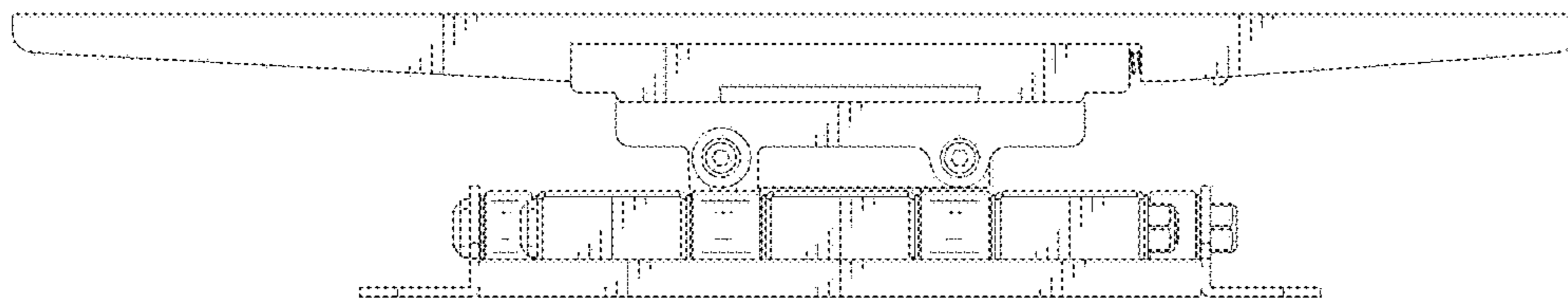


FIG.5

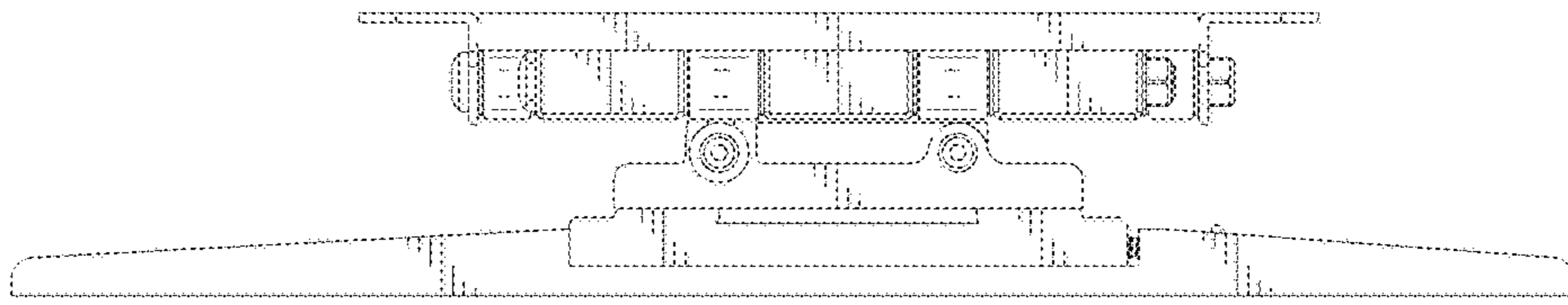


FIG.6

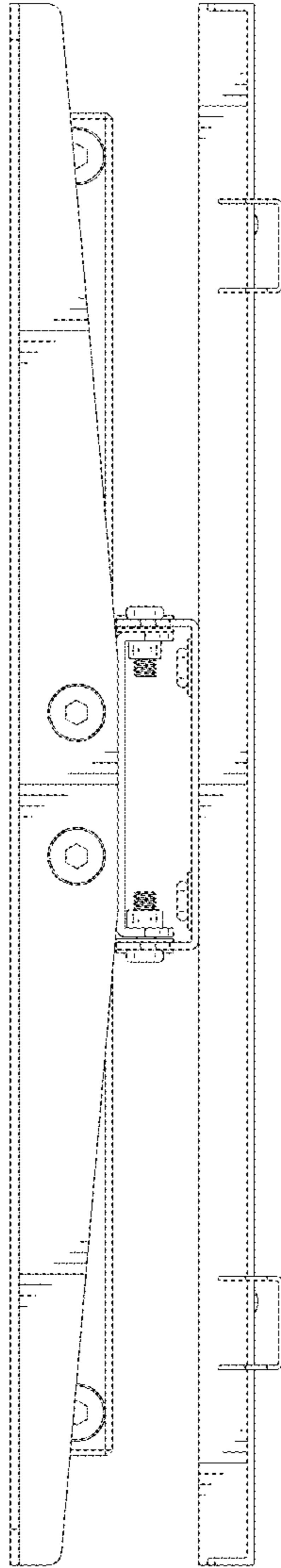


FIG.7



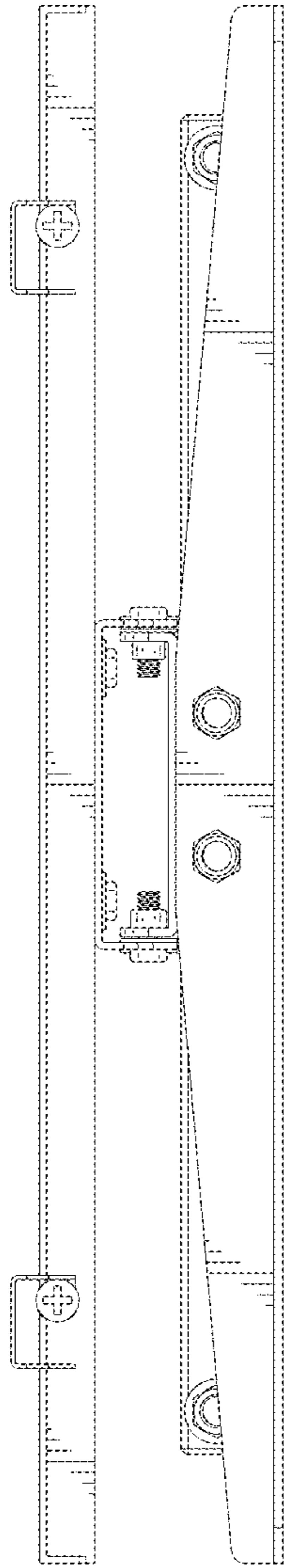


FIG.8

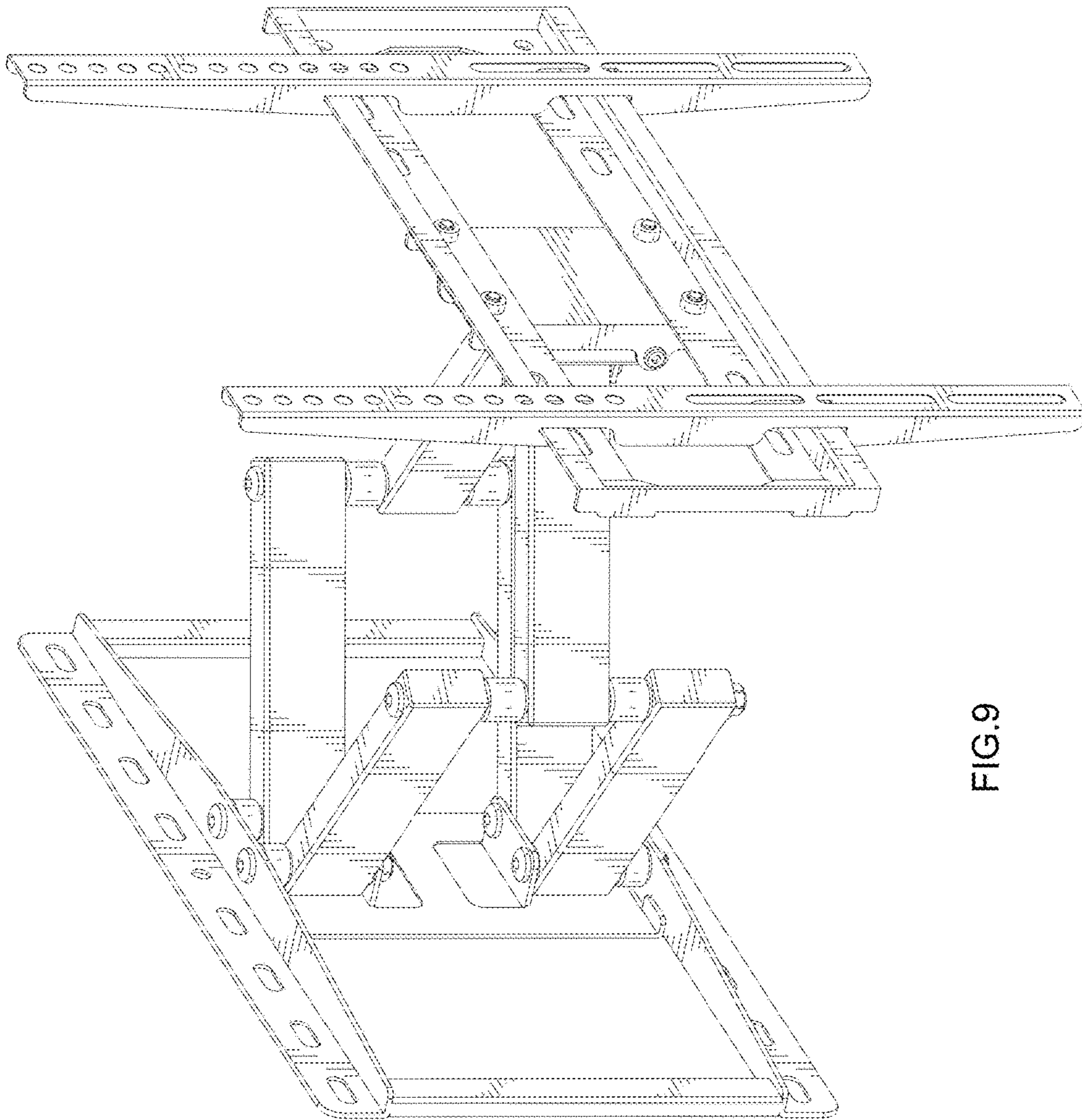


FIG.9

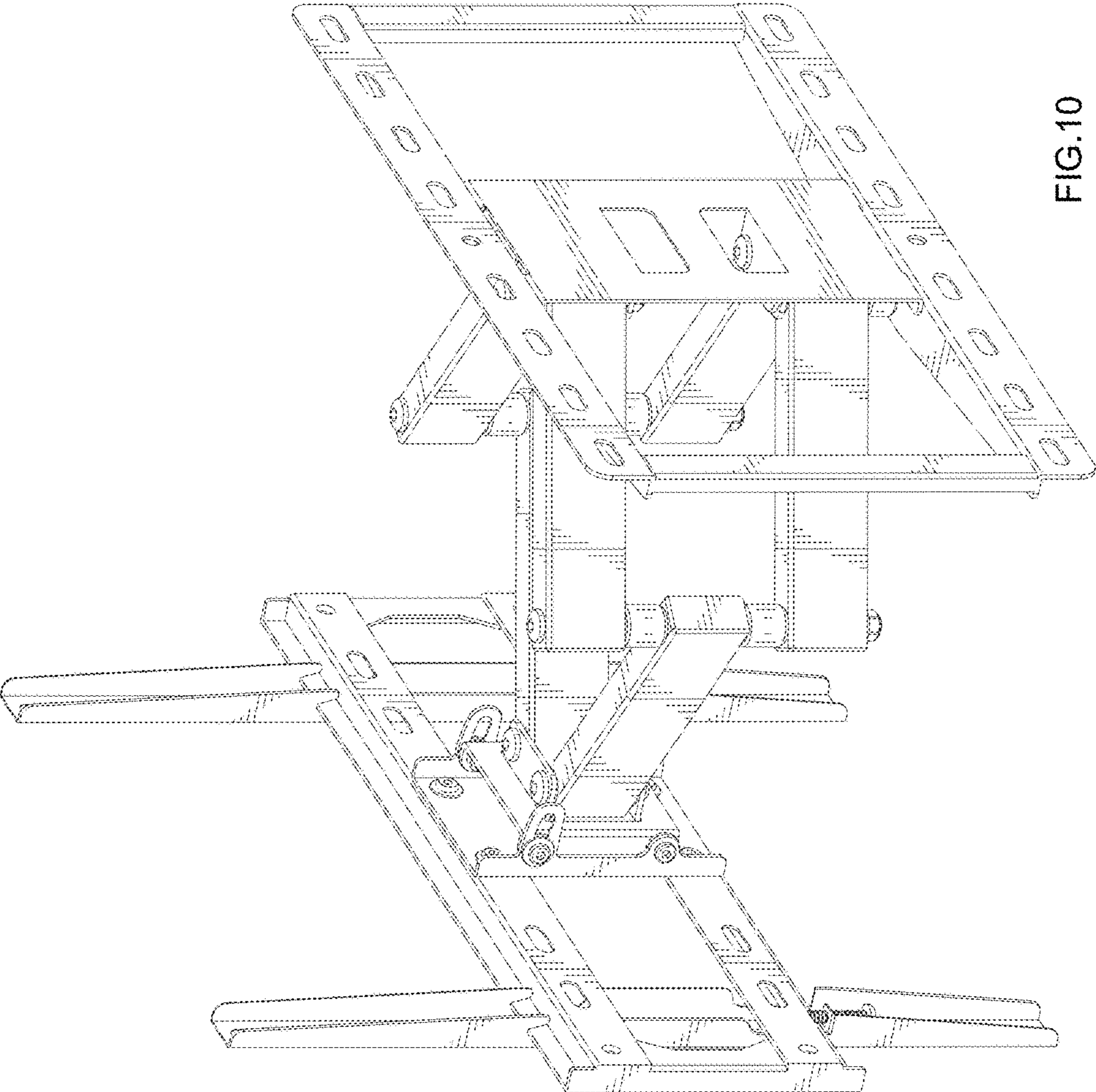


FIG.10