



US00D811375S

(12) **United States Design Patent**
Pei

(10) **Patent No.:** **US D811,375 S**

(45) **Date of Patent:** **** Feb. 27, 2018**

(54) **BRACKET OF FLAT PANEL TV SET**

D684,566 S * 6/2013 Sexton D14/239
D694,739 S * 12/2013 Badillo D14/239
D700,593 S * 3/2014 Xiang D14/239

(71) Applicant: **Xubo Pei**, Shenzhen (CN)

* cited by examiner

(72) Inventor: **Xubo Pei**, Shenzhen (CN)

Primary Examiner — Randall H Gholson

(**) Term: **15 Years**

(74) *Attorney, Agent, or Firm* — Novoclaims Patent Services LLC; Mei Lin Wong

(21) Appl. No.: **29/588,044**

(22) Filed: **Dec. 16, 2016**

(51) **LOC (11) Cl.** **14-03**

(57) **CLAIM**

(52) **U.S. Cl.**

USPC **D14/239**

The ornamental design of a bracket of flat panel TV set, as shown and described.

(58) **Field of Classification Search**

USPC D14/239, 371, 136, 374-377; D8/363, D8/373, 349, 394; 248/465, 917-924, 248/123.11; 348/825, 827, 836, 837, 838, 348/180, 184, 325, 739; 600/443; D6/477-479, 407, 474, 460, 461, 468; 312/7.2; 341/12; 345/87, 104, 133, 156, 345/168, 169, 173; 720/605, 669, 600, 720/655; 369/99, 197; 455/344-347; 349/1, 2, 11, 62; 108/59, 91, 92, 96; 211/40, 41.12, 42, 49.1, 50, 85.2, 90.04, 211/187, 190, 119.003, 134.153, 87.01, 211/71.01

DESCRIPTION

CPC A47B 43/00; G03B 1/00
See application file for complete search history.

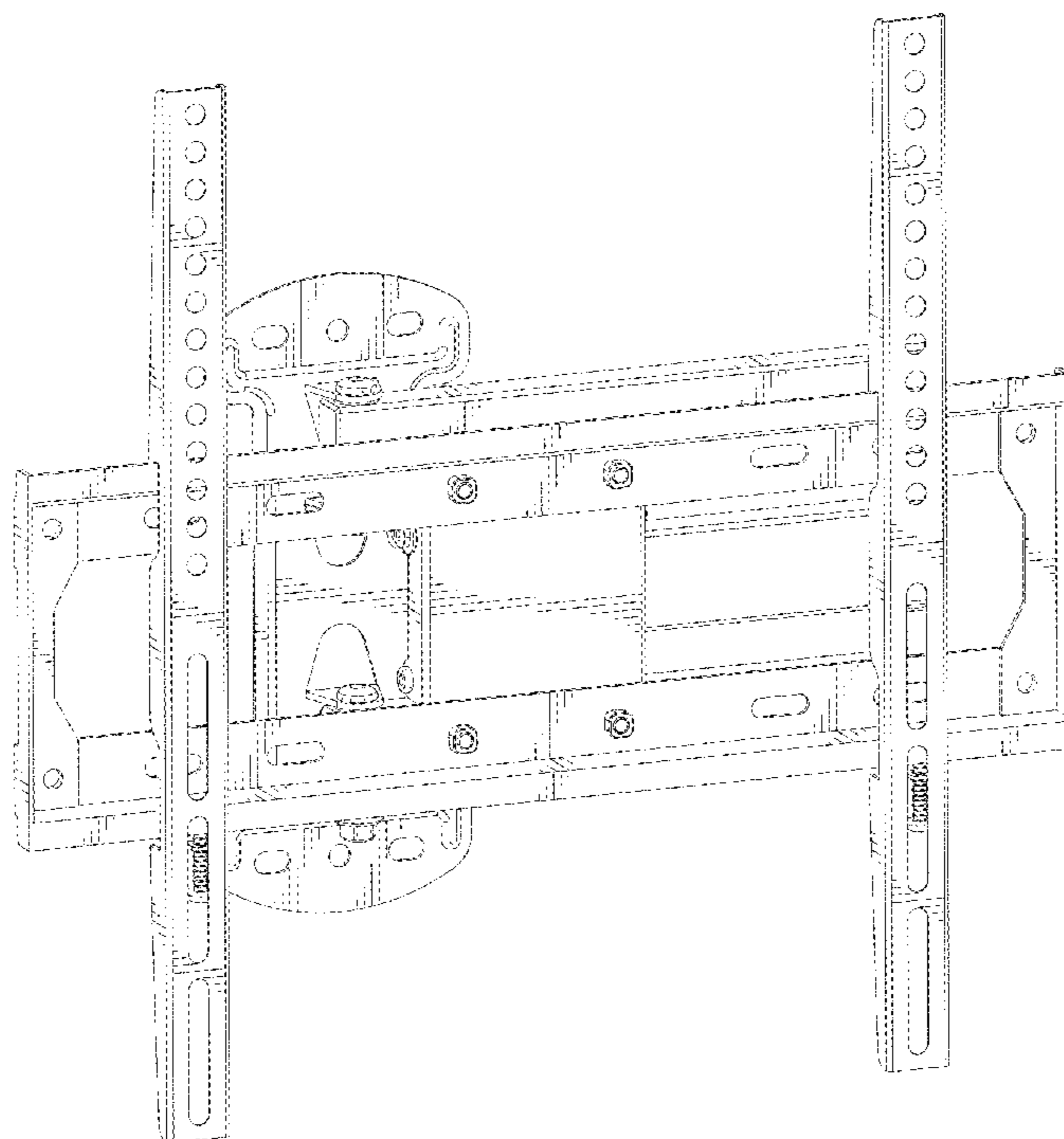
FIG. 1 is a perspective view of a bracket of flat panel TV set in accordance with the present invention.
FIG. 2 is another perspective view thereof showing from a different view angle.
FIG. 3 is a front view thereof.
FIG. 4 is a rear view thereof.
FIG. 5 is a left end view thereof.
FIG. 6 is a right end view thereof.
FIG. 7 is a top view thereof.
FIG. 8 is a bottom view thereof.
FIG. 9 is another perspective view thereof showing an in use position; and,
FIG. 10 is another perspective view thereof showing another in use position.

(56) **References Cited**

U.S. PATENT DOCUMENTS

D635,130 S * 3/2011 Skull D14/239
D650,373 S * 12/2011 Stemple D14/239

1 Claim, 10 Drawing Sheets



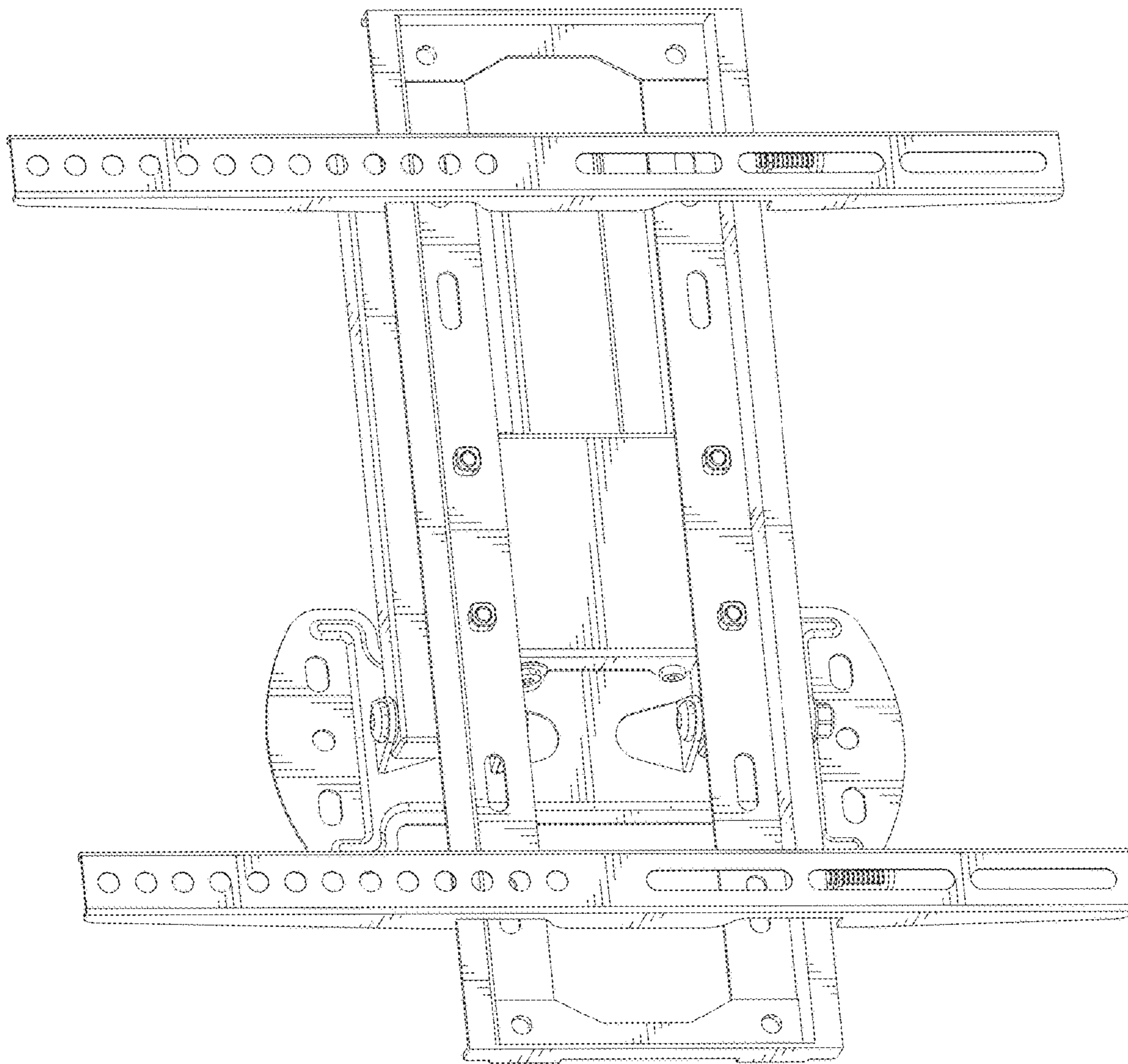


FIG.1

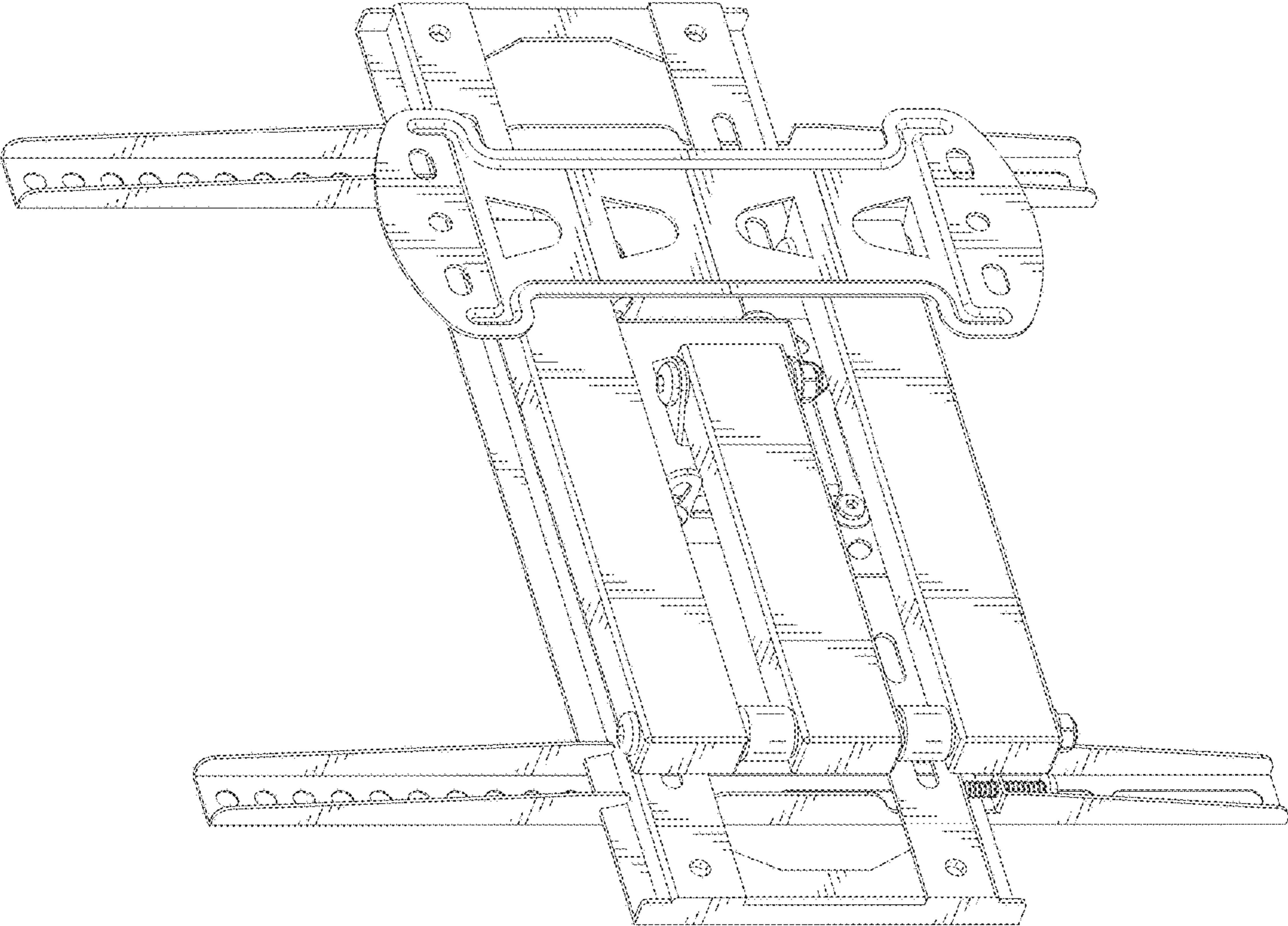


FIG.2

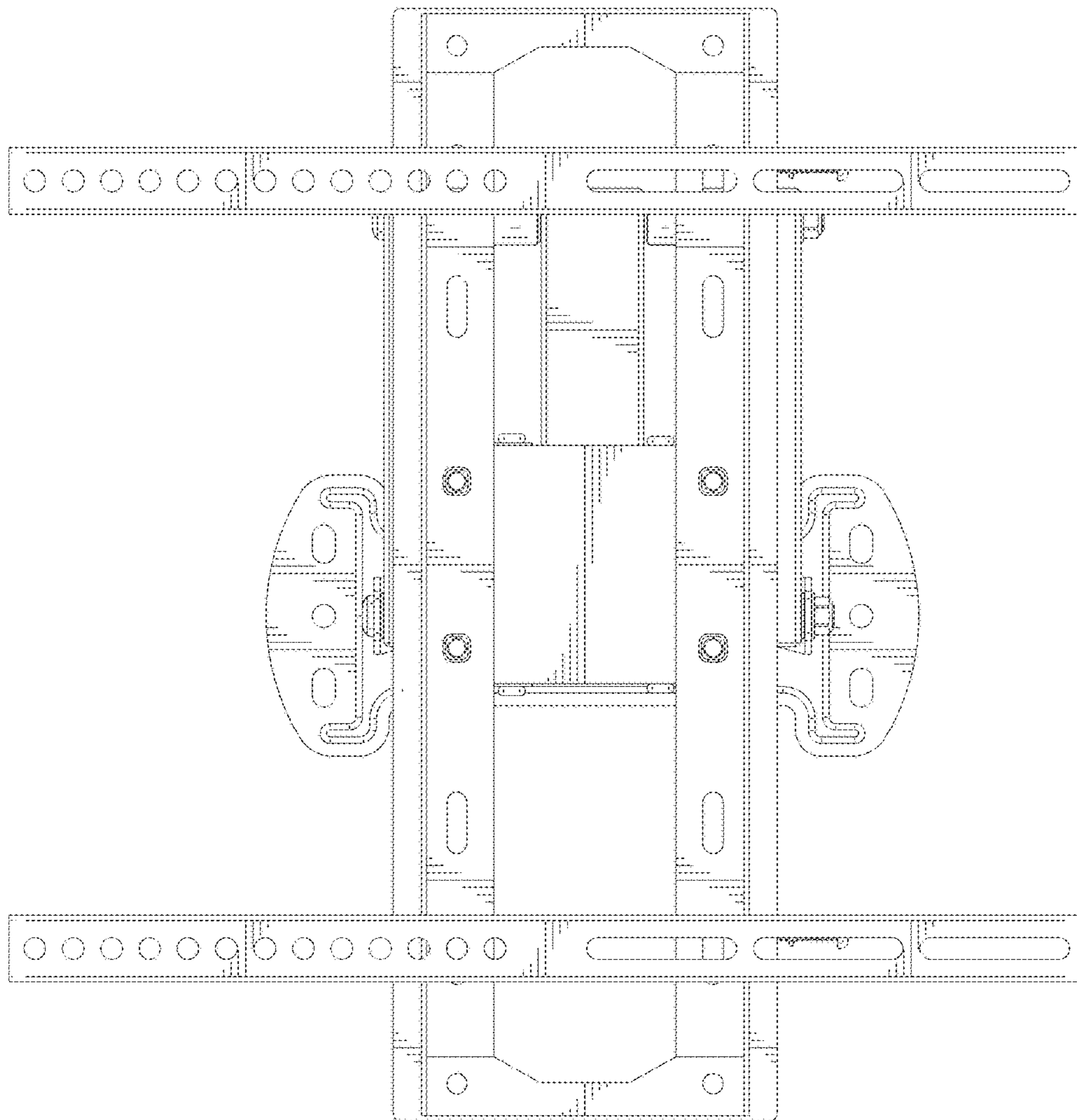


FIG.3

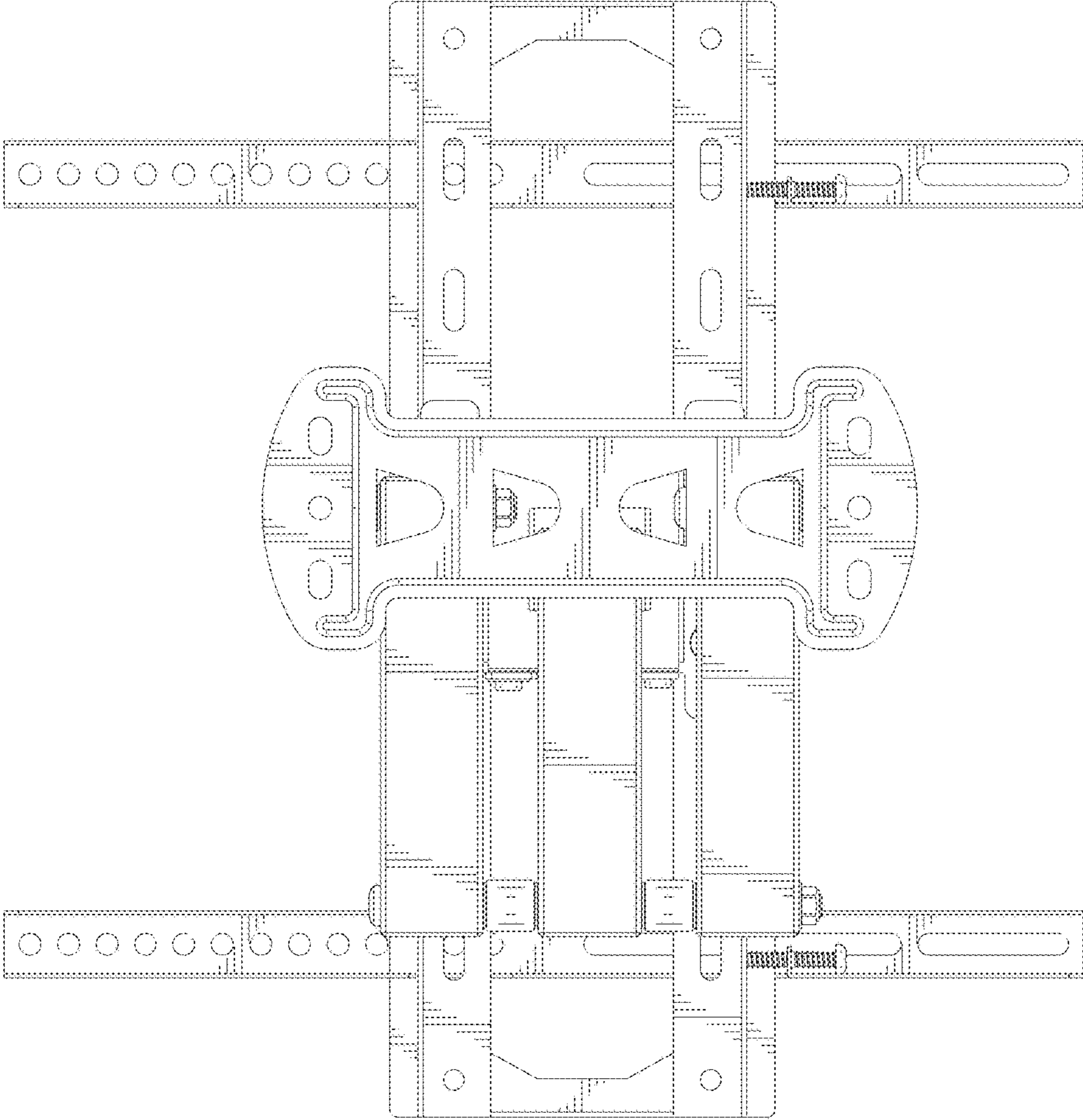


FIG.4

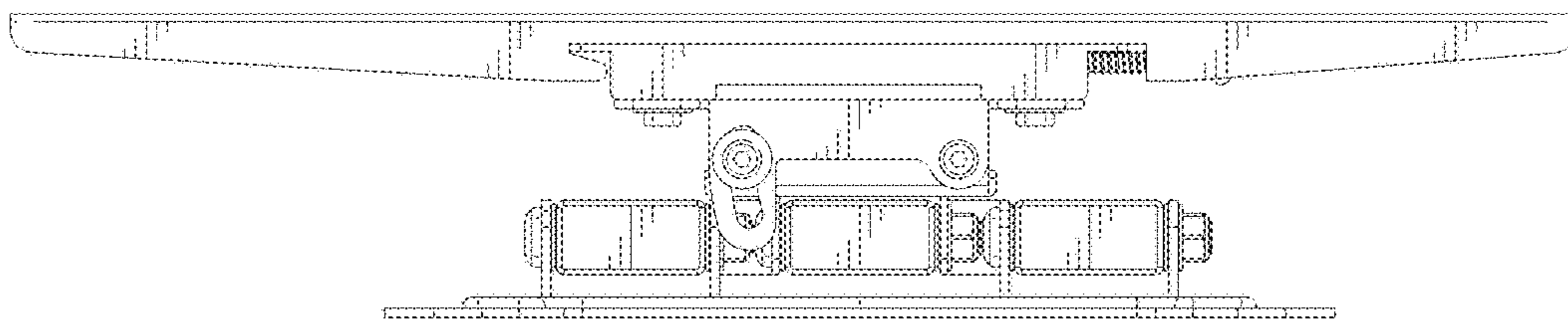


FIG.5

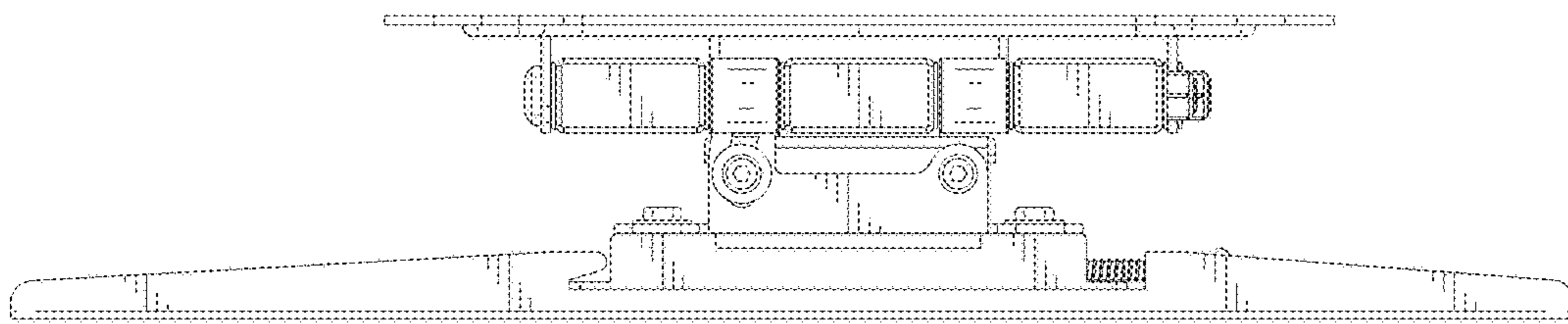


FIG.6

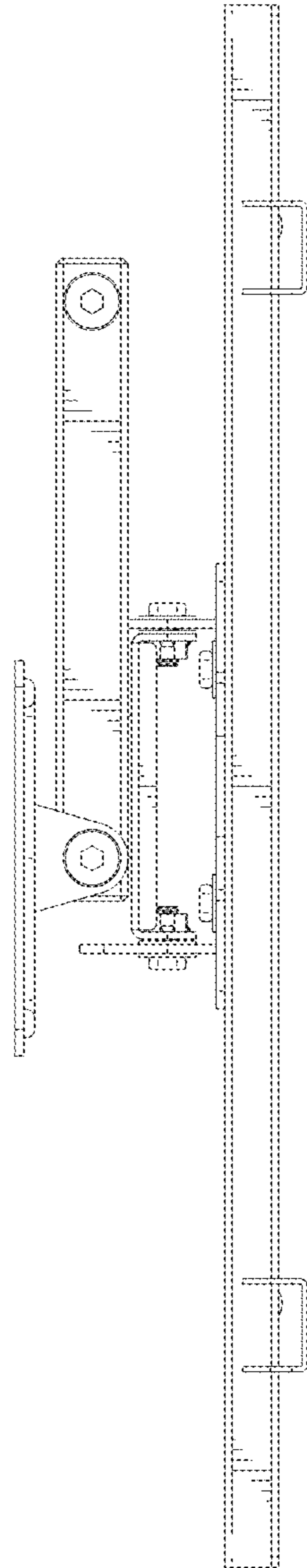


FIG.7

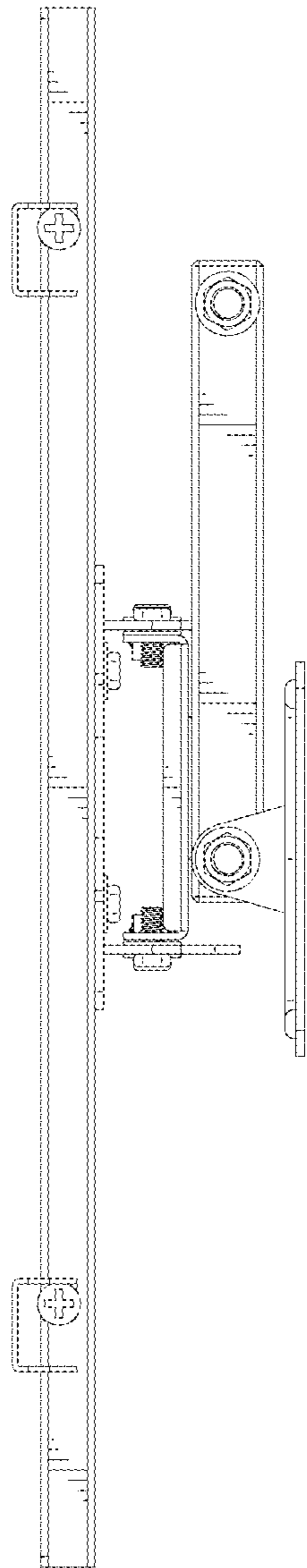


FIG.8

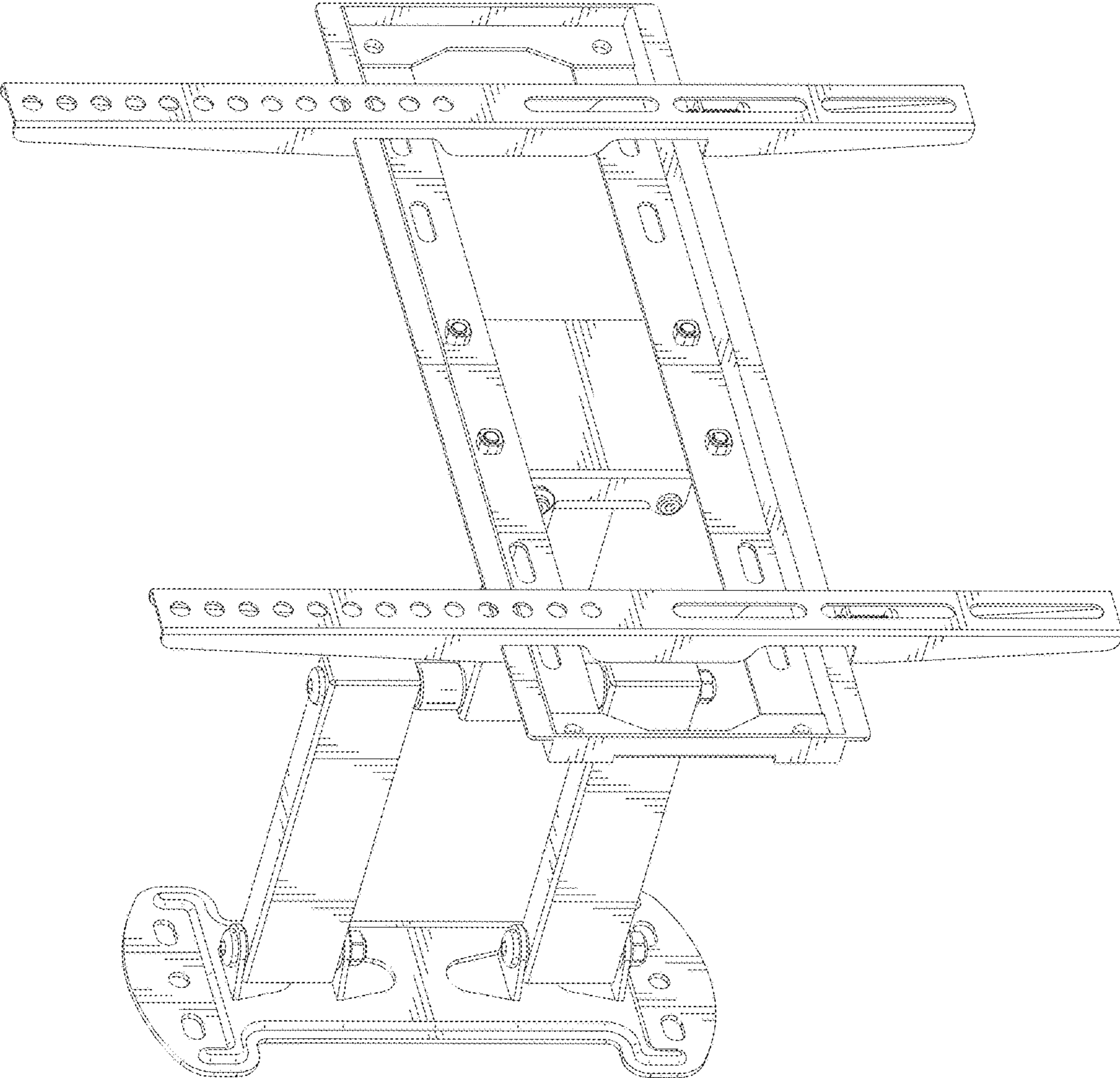


FIG.9

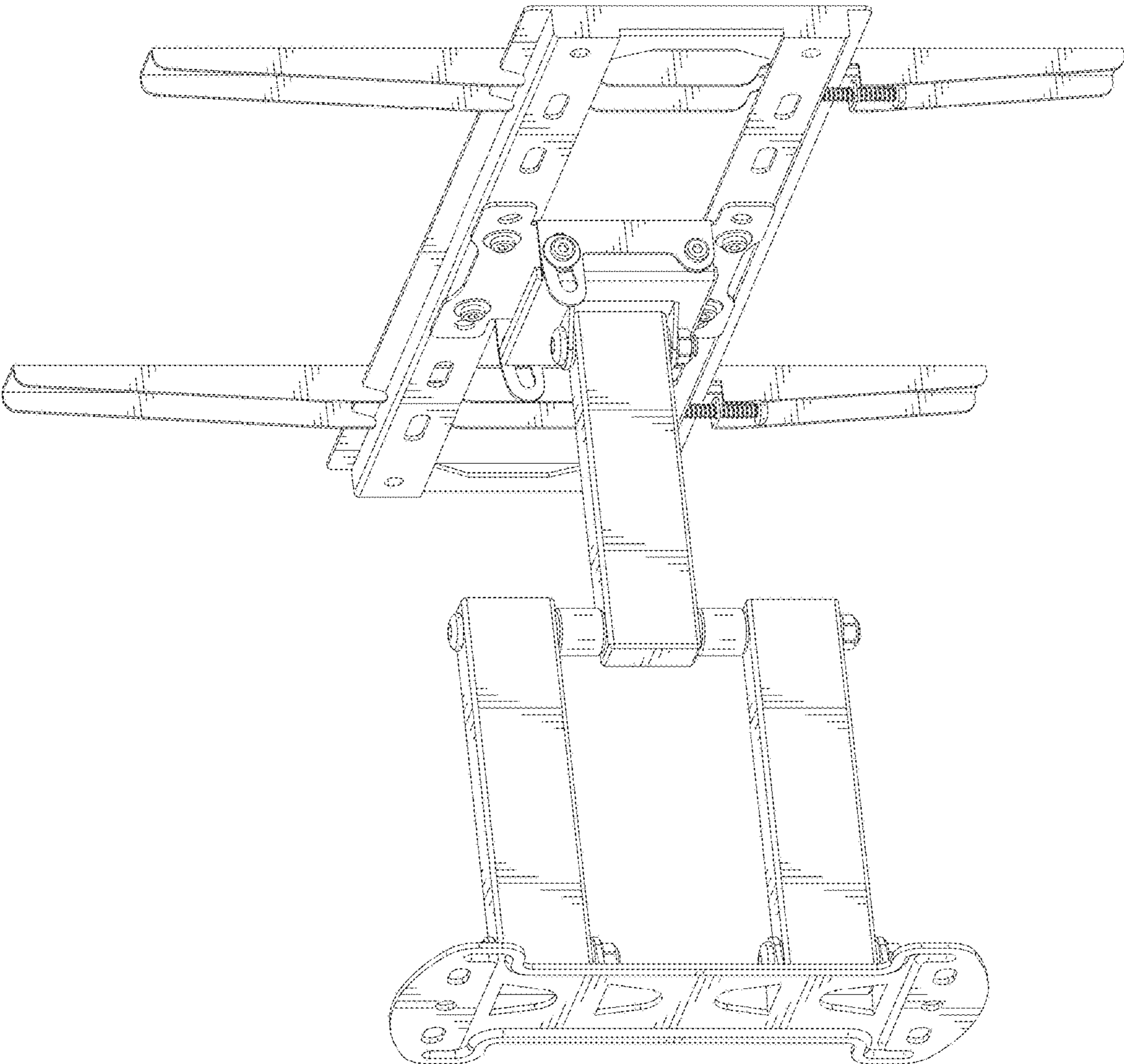


FIG.10