



US00D811374S

(12) **United States Design Patent** (10) **Patent No.:** **US D811,374 S**
Tubis et al. (45) **Date of Patent:** **** Feb. 27, 2018**

(54) **ELEMENT OF A LOUDSPEAKER** 4,624,338 A * 11/1986 Ewald H04R 1/2884
181/144
(71) Applicant: **Harman International Industries, Incorporated**, Northridge, CA (US) D402,988 S * 12/1998 Shin D14/214
D402,989 S * 12/1998 Church D14/204
D419,561 S * 1/2000 Haase D14/216
(72) Inventors: **Fred Tubis**, Northridge, CA (US); D434,751 S * 12/2000 Sogabe D14/214
Chris Hagen, Northridge, CA (US) D462,067 S * 8/2002 Solland D14/215
D468,291 S * 1/2003 Solland D14/215

(Continued)

(73) Assignee: **Harman International Industries, Incorporated**, Northridge, CA (US)

FOREIGN PATENT DOCUMENTS

(**) Term: **15 Years** JP 1159635 S 3/2002
JP 1157504 S 5/2002
(21) Appl. No.: **29/555,579** JP 1471862 6/2013

(22) Filed: **Feb. 23, 2016**

OTHER PUBLICATIONS

Official Action dated Feb. 23, 2017 from Japanese Design Application No. 2016-004740, with English translation thereof.

(Continued)

Related U.S. Application Data

(63) Continuation of application No. 29/538,502, filed on Sep. 3, 2015, now abandoned.

(51) **LOC (11) Cl.** **14-01**

(52) **U.S. Cl.**
USPC **D14/221**

(58) **Field of Classification Search**
USPC ... D14/219, 214–216, 221, 224, 224.1, 204;
181/143–144, 147–148, 150, 157,
181/198–199, 151, 153; 381/300–302,
381/306, 333, 345, 361–364, 386–388,
381/332, 336, 337, 340, 342; 455/90.3,
455/575.1, 459.1

CPC H04R 1/102; H04R 1/021; H04R 5/00;
H04R 1/1025; H04R 9/06; H04R 1/20;
H04R 1/02; H04R 5/02

See application file for complete search history.

Primary Examiner — Paula Allen Greene

(74) *Attorney, Agent, or Firm* — Plumsea Law Group, LLC

(57) **CLAIM**

The ornamental design for an element of a loudspeaker, as shown and described.

DESCRIPTION

FIG. 1 is a perspective view of an element of a loudspeaker showing our new design;
FIG. 2 is a front elevational view thereof;
FIG. 3 is a front elevational view shown on a free-standing cabinet for a loudspeaker;
FIG. 4 is a front elevational view shown on a horizontally oriented cabinet for a loudspeaker; and,
FIG. 5 is an enlarged view of the portion 5 denoted in FIG. 2.

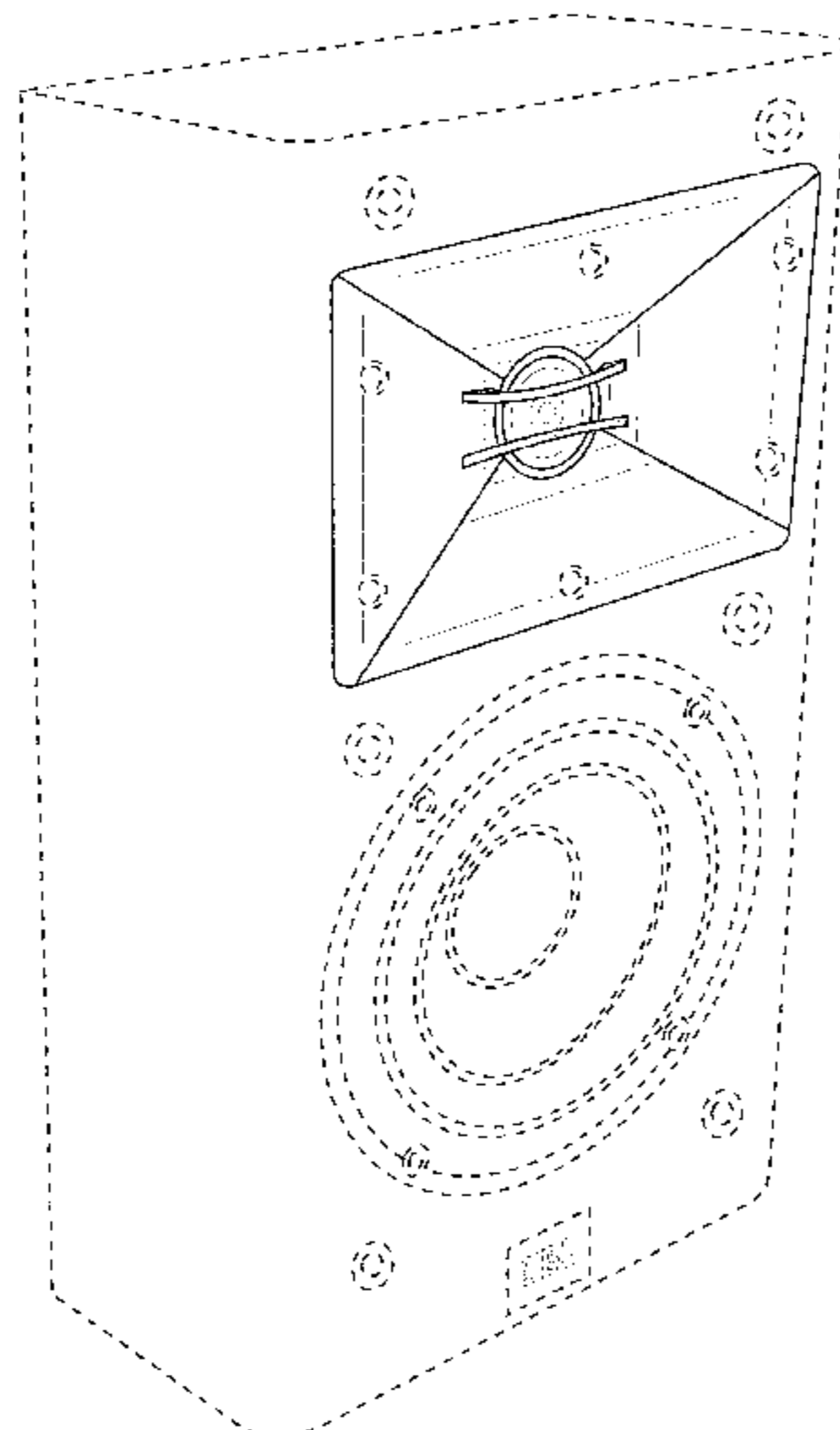
The broken lines depict environment that forms no part of the claimed design.

(56) **References Cited**

U.S. PATENT DOCUMENTS

D264,841 S * 6/1982 Pickrel D14/204
4,450,495 A * 5/1984 Naruki G11B 25/063
224/674
D286,399 S * 10/1986 Willy D14/222

1 Claim, 5 Drawing Sheets



(56)

References Cited

OTHER PUBLICATIONS

U.S. PATENT DOCUMENTS

D495,318	S *	8/2004	Dayan	D14/214
D504,415	S *	4/2005	Lum	D14/168
D525,236	S *	7/2006	Hibi	D14/221
D526,310	S *	8/2006	Pantaleone	D14/221
D532,771	S *	11/2006	Motoishi	D14/211
D593,073	S *	5/2009	Kurihara	D14/216
D593,541	S *	6/2009	Muraoka	D14/215
D593,542	S *	6/2009	Kurihara	D14/216
D595,689	S *	7/2009	Potter	D14/204
D600,676	S *	9/2009	Maurer	D14/209
D629,389	S *	12/2010	Kitayama	D14/215
D635,553	S *	4/2011	Yagihashi	D14/216
D676,020	S *	2/2013	Matsumura	D14/204
D758,992	S *	6/2016	Garrett	D14/213
D775,107	S *	12/2016	Green	D14/221
D793,362	S *	8/2017	Fischer	D14/214
D800,696	S *	10/2017	Tubis	D14/210
2005/0094836	A1 *	5/2005	Manrique	H04R 7/12 381/342
2007/0098204	A1 *	5/2007	Iekura	B60R 11/0223 381/386

Response to Official Action dated Jun. 22, 2017 from Japanese Design Application No. 2016-004740, with machine English translation thereof.

Official Action dated Mar. 6, 2017 from Russian Design Application No. 2016500788/49, and English translation thereof.

Response to Official Action filed Sep. 5, 2017 from Russian Design Application No. 2016500788/49, and machine English translation thereof.

Decision on Grant dated Sep. 25, 2017 from Russian Design Application No. 2016500788/49, and machine English translation thereof.

Final Official Action dated Aug. 16, 2017 from Japanese Design Application No. 2016-004740, with English translation thereof.

Japanese Patent Office Design Division Documents Card No. HA12029894, HA12029895, design of "speaker box" on "Electrical Appliance Store," Mar. 1, 2001, No. 3, p. 132, accepted by National Center for Industrial Property Information and Training on Feb. 13, 2001.

Japanese Patent Office Design Division Documents Card No. HA27004372, design of "speaker box" on "Stereo," Aug. 1, 2015, No. 8, p. 135, accepted by National Center for Industrial Property Information and Training on Jul. 27, 2015.

Response to Examination Report dated Aug. 31, 2016 from Indian Design Application No. 2281111.

* cited by examiner

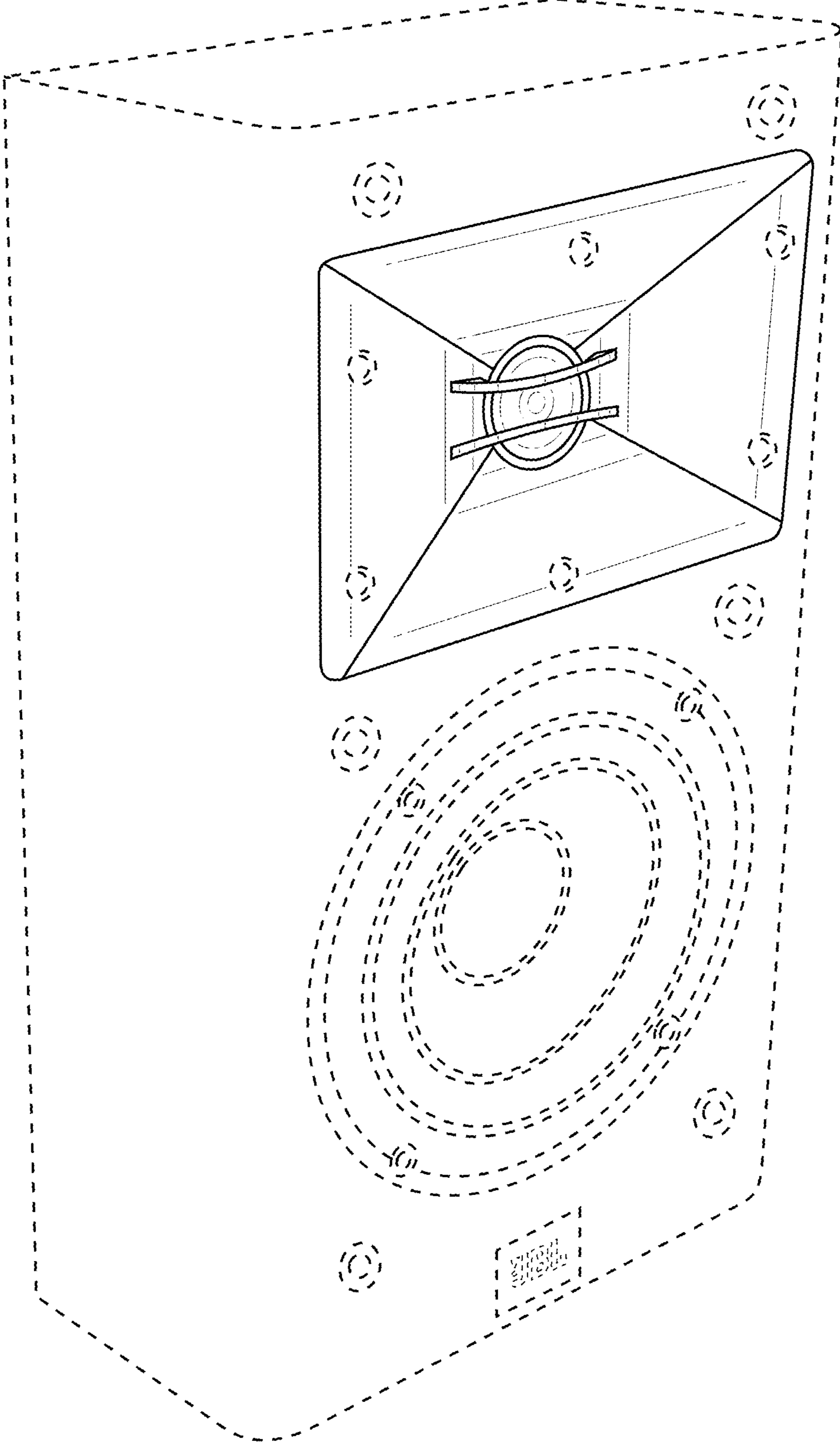


FIG. 1

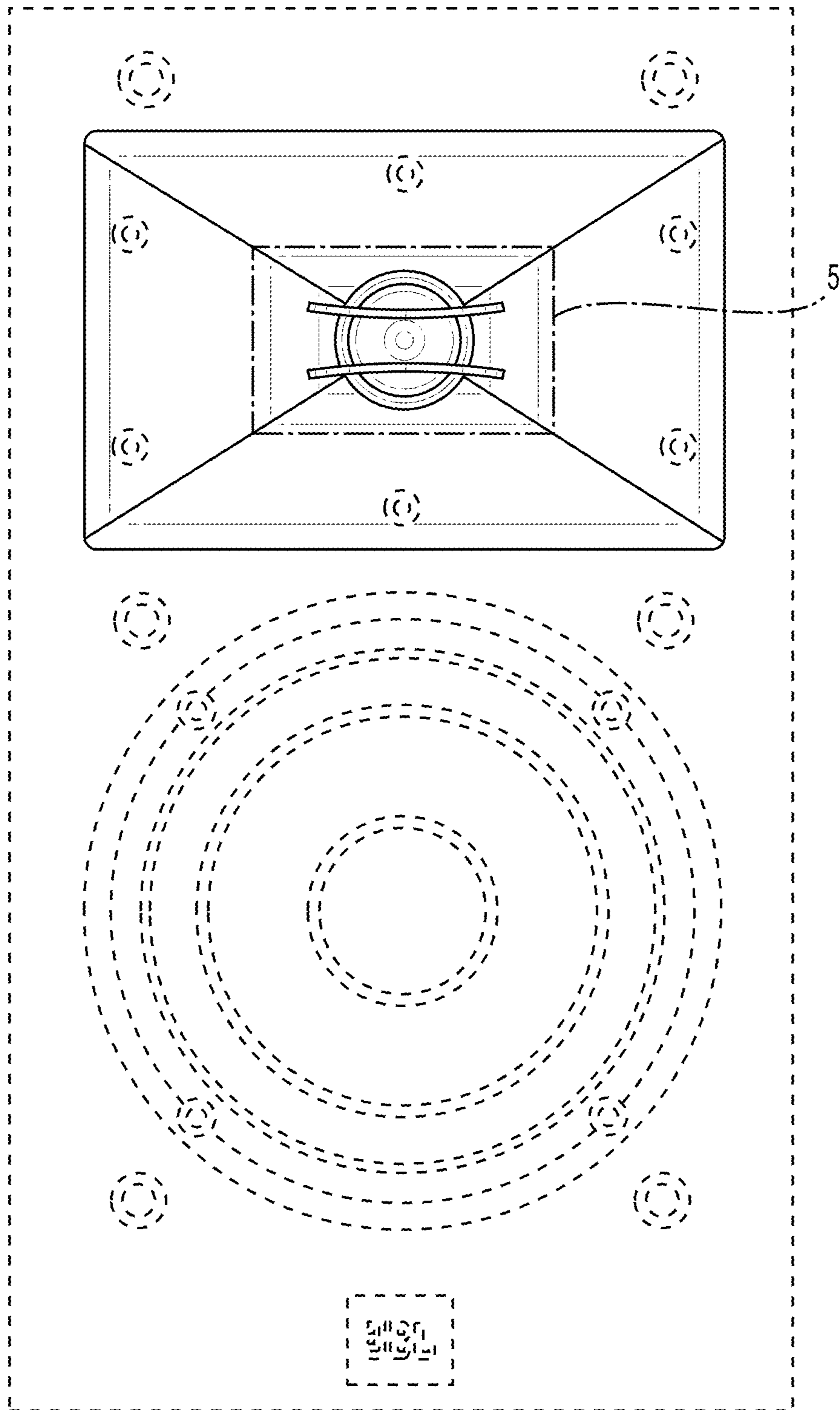


FIG. 2

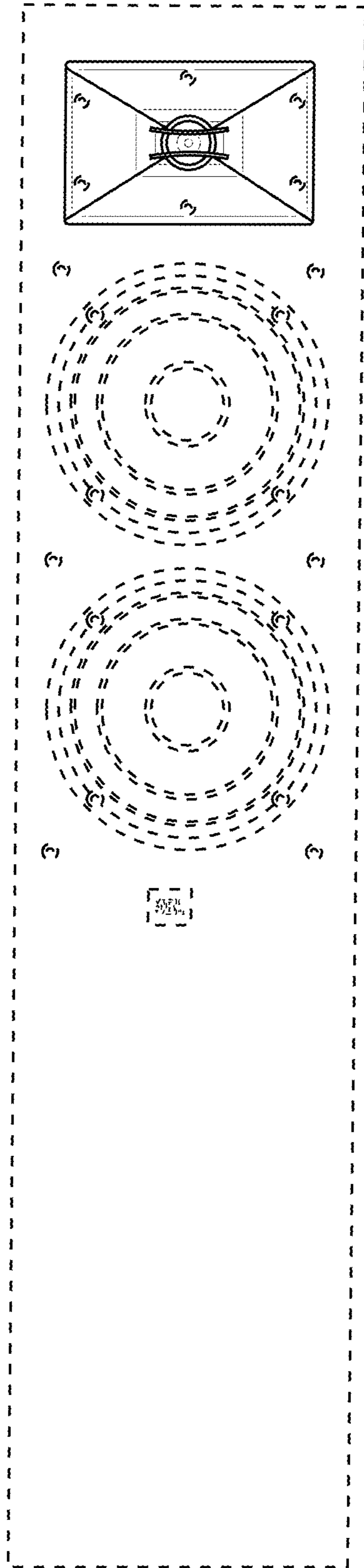


FIG. 3

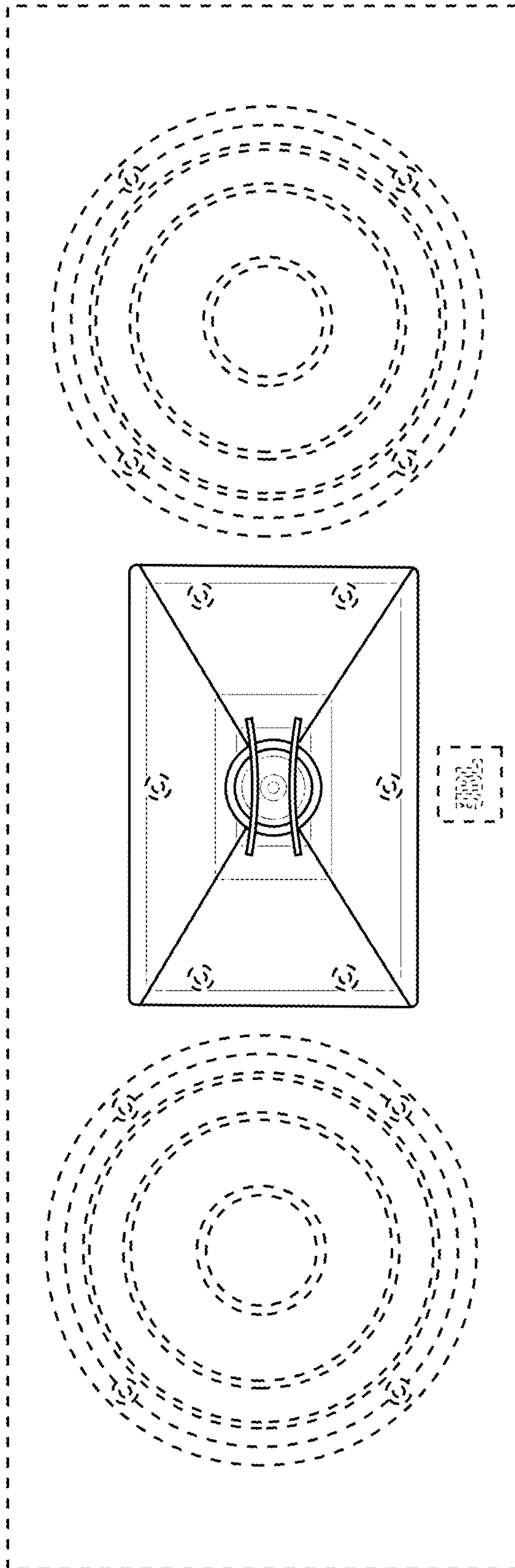


FIG. 4

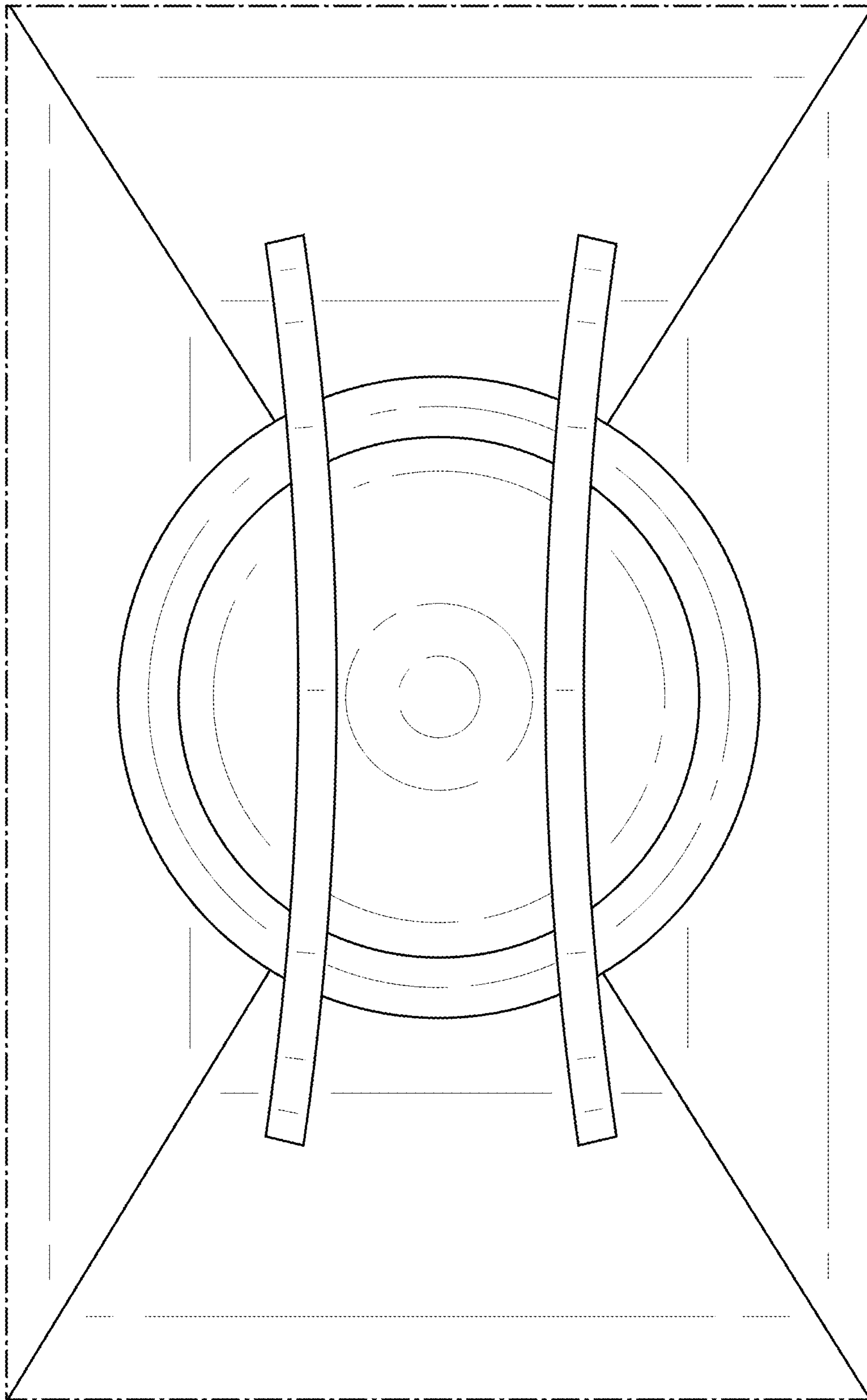


FIG. 5