



US00D811371S

(12) **United States Design Patent** (10) **Patent No.:** **US D811,371 S**  
**Meyer et al.** (45) **Date of Patent:** **\*\* Feb. 27, 2018**

(54) **AUDIO CONTROL DEVICE**

(71) Applicant: **KINGSTON DIGITAL, INC.**,  
Fountain Valley, CA (US)  
(72) Inventors: **Julia Meyer**, Munich (DE); **Manuel Gattinger**, München (DE); **Dominik Schütz**, München (DE); **Christian Stapelbroek**, Wuppertal (DE); **Baron K. Lee**, Fountain Valley, CA (US); **Guan-Hua Tzeng**, Hsinchu (TW); **Yu-kuo Huang**, Hsinchu (TW); **Peter Leekuo Chou**, Fountain Valley, CA (US)  
(73) Assignee: **Kingston Digital, Inc.**, Fountain Valley, CA (US)

(\*\*) Term: **15 Years**  
(21) Appl. No.: **29/563,298**  
(22) Filed: **May 4, 2016**

(30) **Foreign Application Priority Data**

Nov. 4, 2015 (TW) ..... 104306160

(51) **LOC (11) Cl.** ..... **14-03**  
(52) **U.S. Cl.**  
USPC ..... **D14/218**  
(58) **Field of Classification Search**  
USPC ..... D14/218; D13/168  
See application file for complete search history.

(56) **References Cited**

**U.S. PATENT DOCUMENTS**

D344,524 S \* 2/1994 Taniguchi ..... D14/205  
D376,114 S \* 12/1996 Seki ..... D10/104.1  
(Continued)

**FOREIGN PATENT DOCUMENTS**

EM 000433586-0004 \* 2/2006

**OTHER PUBLICATIONS**

HyperX Gaming headset datasheet, copyright 2017, [https://www.hyperxgaming.com/datasheets/HX-HSCRS-GM\\_us.pdf](https://www.hyperxgaming.com/datasheets/HX-HSCRS-GM_us.pdf), site visited Mar. 28, 2017.\*

*Primary Examiner* — John Windmuller  
*Assistant Examiner* — John R Yeh  
(74) *Attorney, Agent, or Firm* — Skaar Ulbrich Macari, P.A.

(57) **CLAIM**

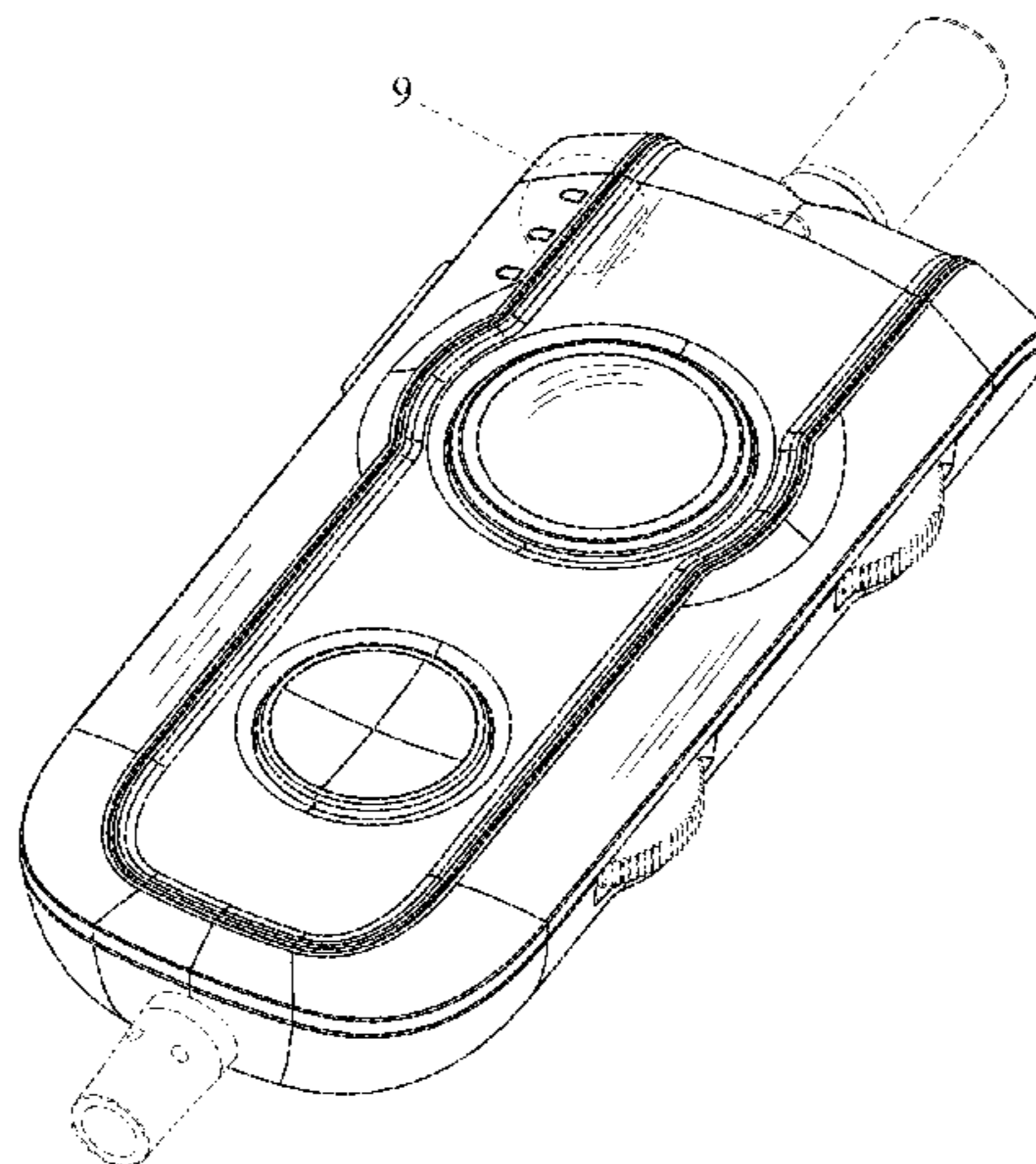
We claim an ornamental design for an audio control device, as shown and described.

**DESCRIPTION**

A portion of the disclosure of this patent document may contain material which is subject to copyright protection. This patent document may show and/or describe matter which is or may become a trademark or trade dress of the owner. The copyright and trademark/trade dress owner has no objection to the facsimile reproduction by any one of the patent document or the patent disclosure as it appears in the Patent and Trademark Office patent files or records, but otherwise reserves all copyrights, trademarks and trade dress rights whatsoever.

FIG. 1 is a perspective view of an audio control device showing the claimed design;  
FIG. 2 is another perspective view of FIG. 1;  
FIG. 3 is a front elevational view of FIG. 1;  
FIG. 4 is a rear elevational view of FIG. 1;  
FIG. 5 is a left side elevational view of FIG. 1;  
FIG. 6 is a right side elevational view of FIG. 1;  
FIG. 7 is a top plan view of FIG. 1;  
FIG. 8 is a bottom plan view of FIG. 1; and,  
FIG. 9 is an enlarged view of the portion indicated by the dot-dash circle 9 of FIG. 1.  
The dot-dash lines represent the boundary of an enlarged area which forms no part of the claimed design.  
The broken lines in the drawings represent unclaimed subject matter and form no part of the claimed design.

**1 Claim, 6 Drawing Sheets**



(56)

**References Cited**

U.S. PATENT DOCUMENTS

5,606,305	A *	2/1997	Jan	.....	A01M 29/18 340/384.2
D503,687	S *	4/2005	Hoffman	.....	D13/168
D505,118	S *	5/2005	Arz	.....	D13/168
D510,046	S *	9/2005	Li	.....	D10/106.1
D524,255	S *	7/2006	Geringer	.....	D13/168
D545,166	S *	6/2007	Laaper	.....	D14/480.3
D545,467	S *	6/2007	Chun	.....	D26/37
D550,654	S *	9/2007	Miyawaki	.....	D14/218
D561,703	S *	2/2008	Shimokawa	.....	D13/168
D619,546	S *	7/2010	Chiu	.....	D13/168
D644,632	S *	9/2011	Chiu	.....	D14/218
D657,755	S *	4/2012	Onoda	.....	D13/168
D667,382	S *	9/2012	Cosentino	.....	D13/168
D670,043	S *	10/2012	Goldman	.....	D30/155
D712,380	S *	9/2014	Hwang	.....	D14/218
D720,304	S *	12/2014	Haug	.....	D13/168
D743,381	S *	11/2015	Pi	.....	D14/218
D747,293	S *	1/2016	Mistry	.....	D13/168
D772,201	S *	11/2016	Lepchenske	.....	D14/218
D778,264	S *	2/2017	Stapelbroek	.....	D14/218
D778,877	S *	2/2017	Lin	.....	D14/218

\* cited by examiner

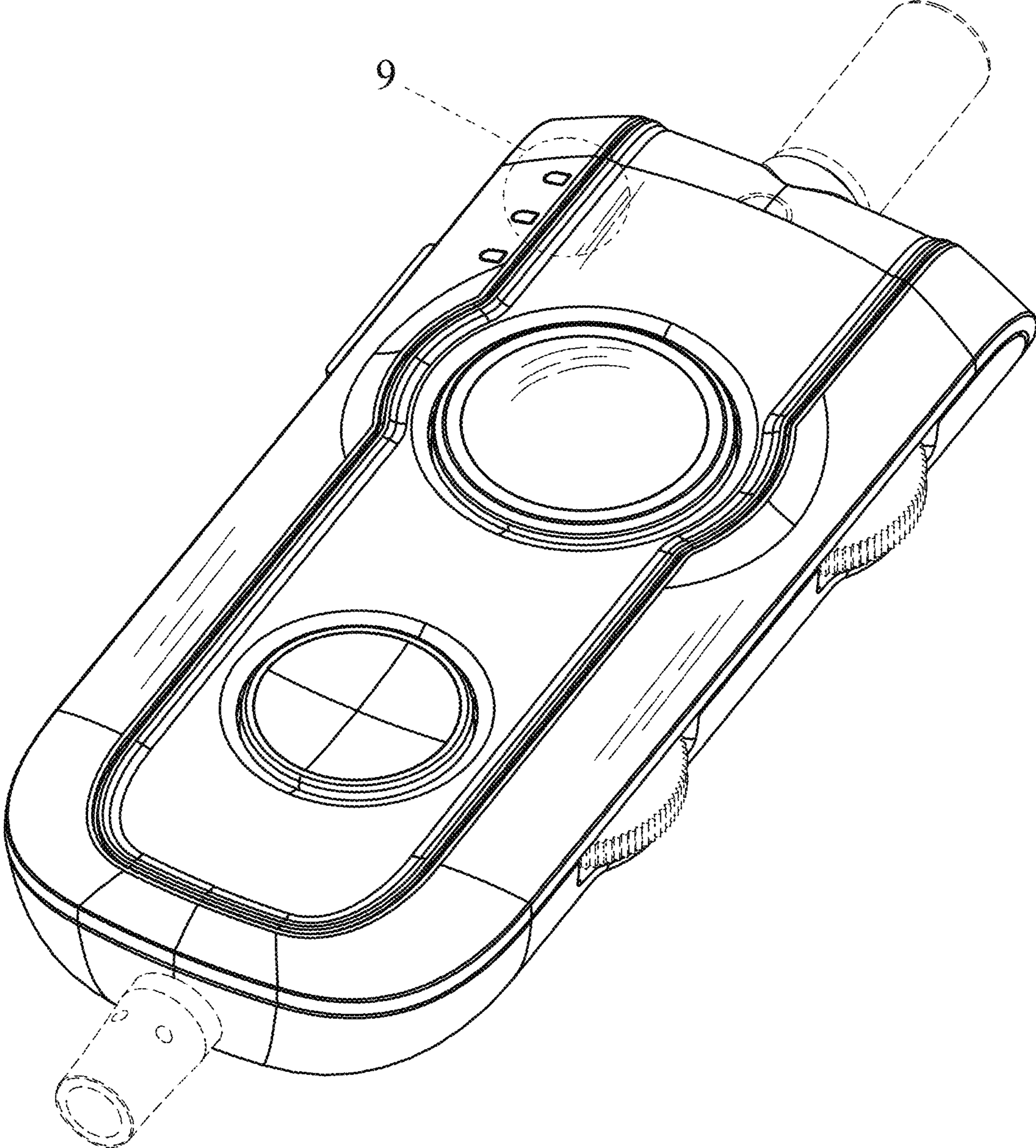


FIG.1



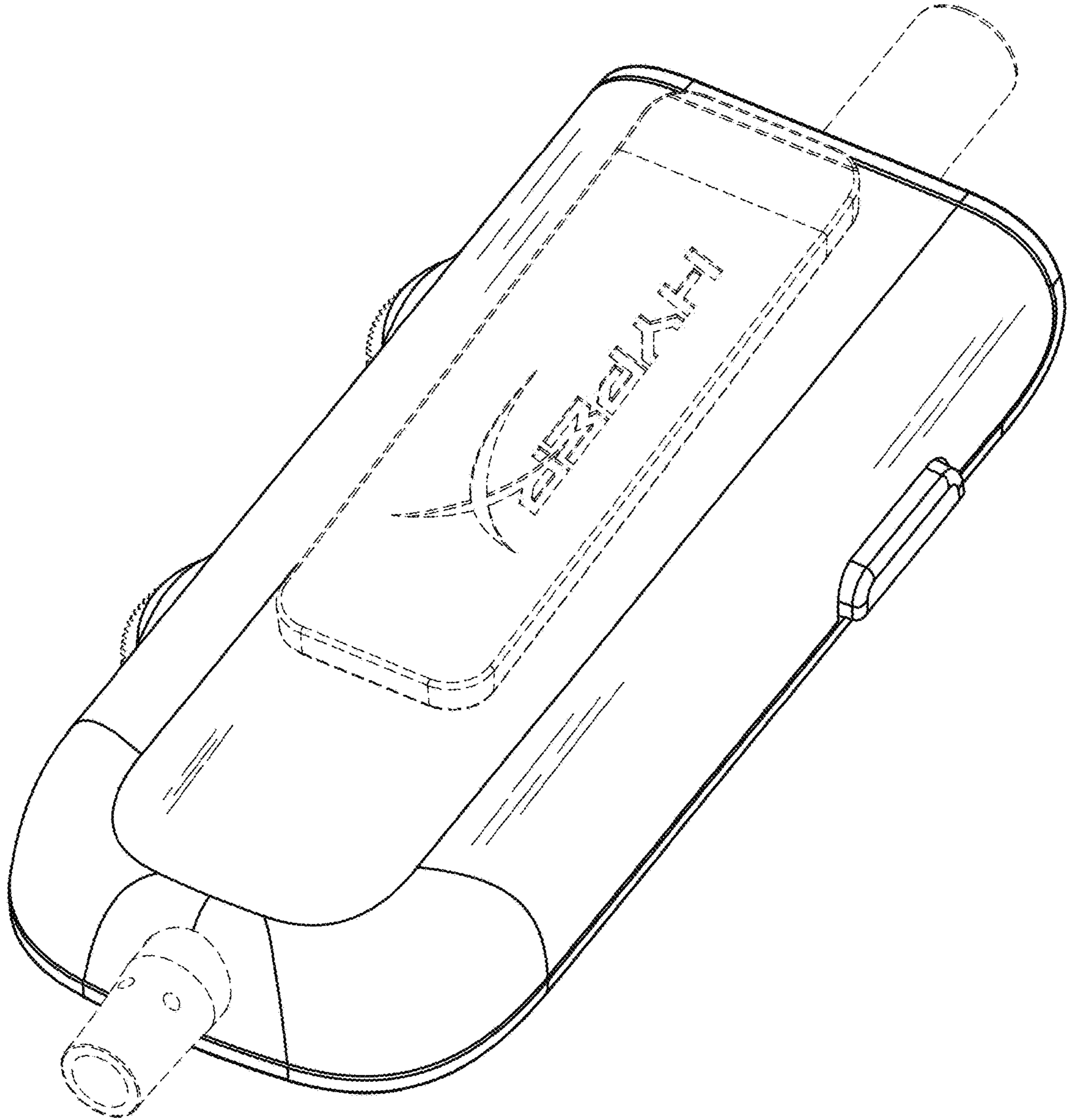


FIG.2

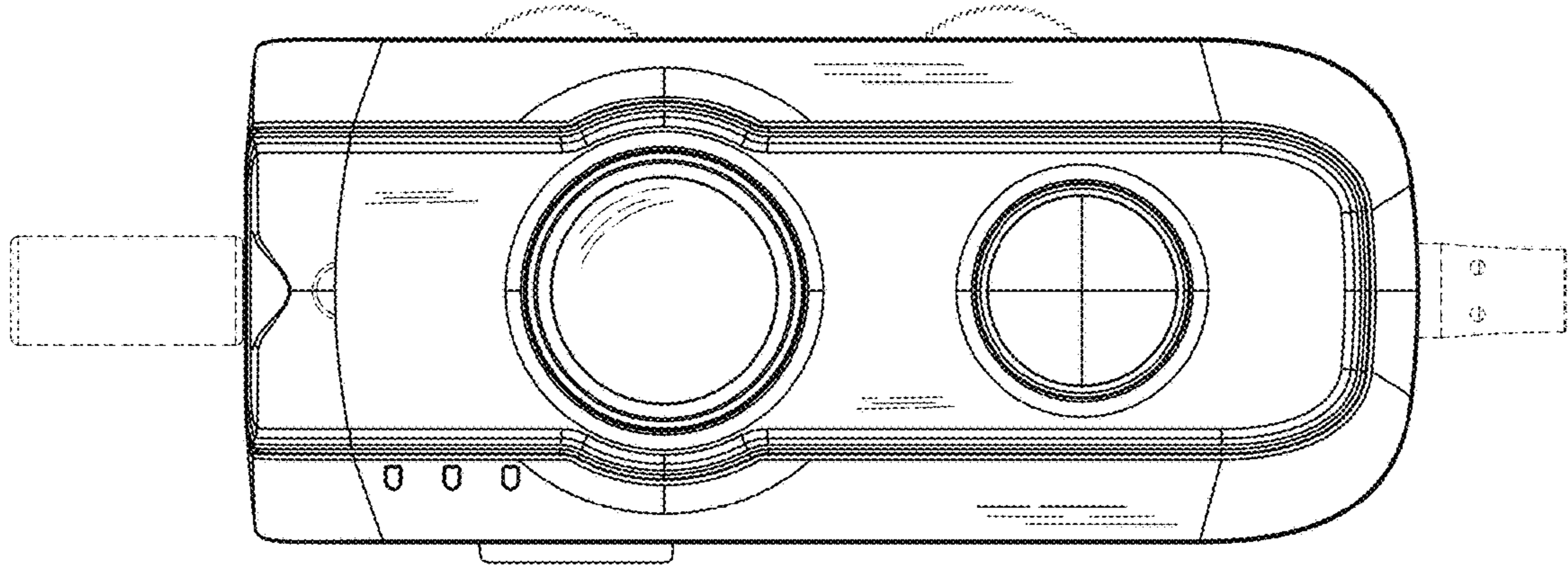


FIG.3

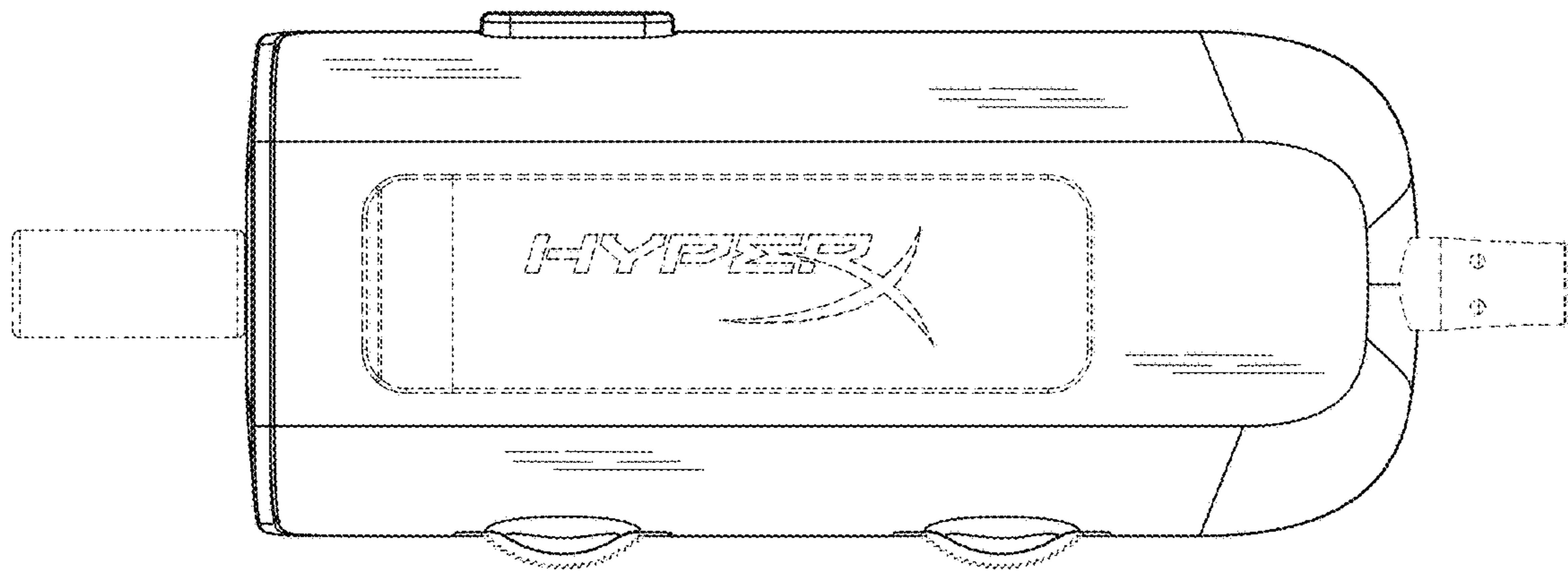


FIG.4

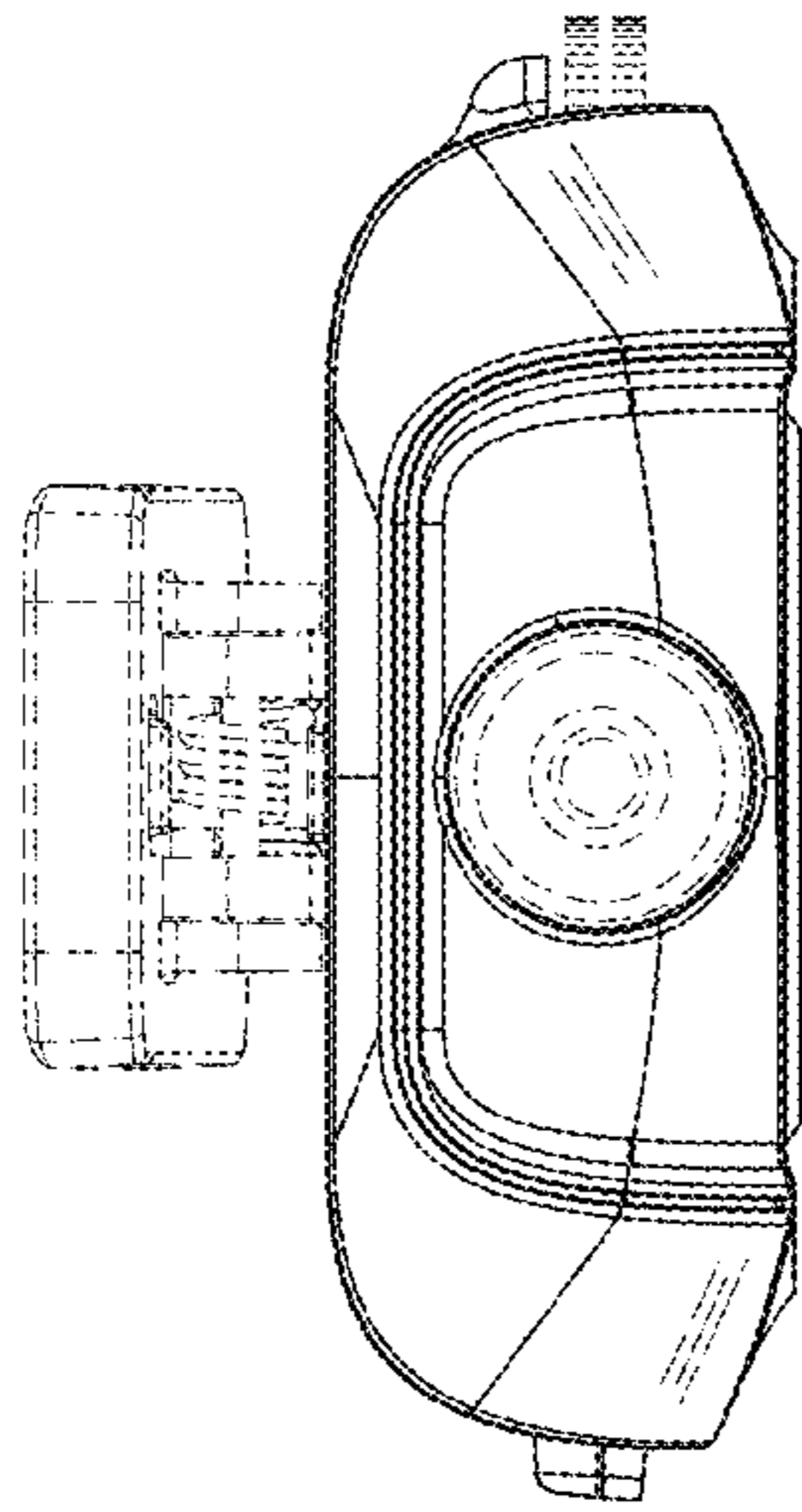


FIG.5

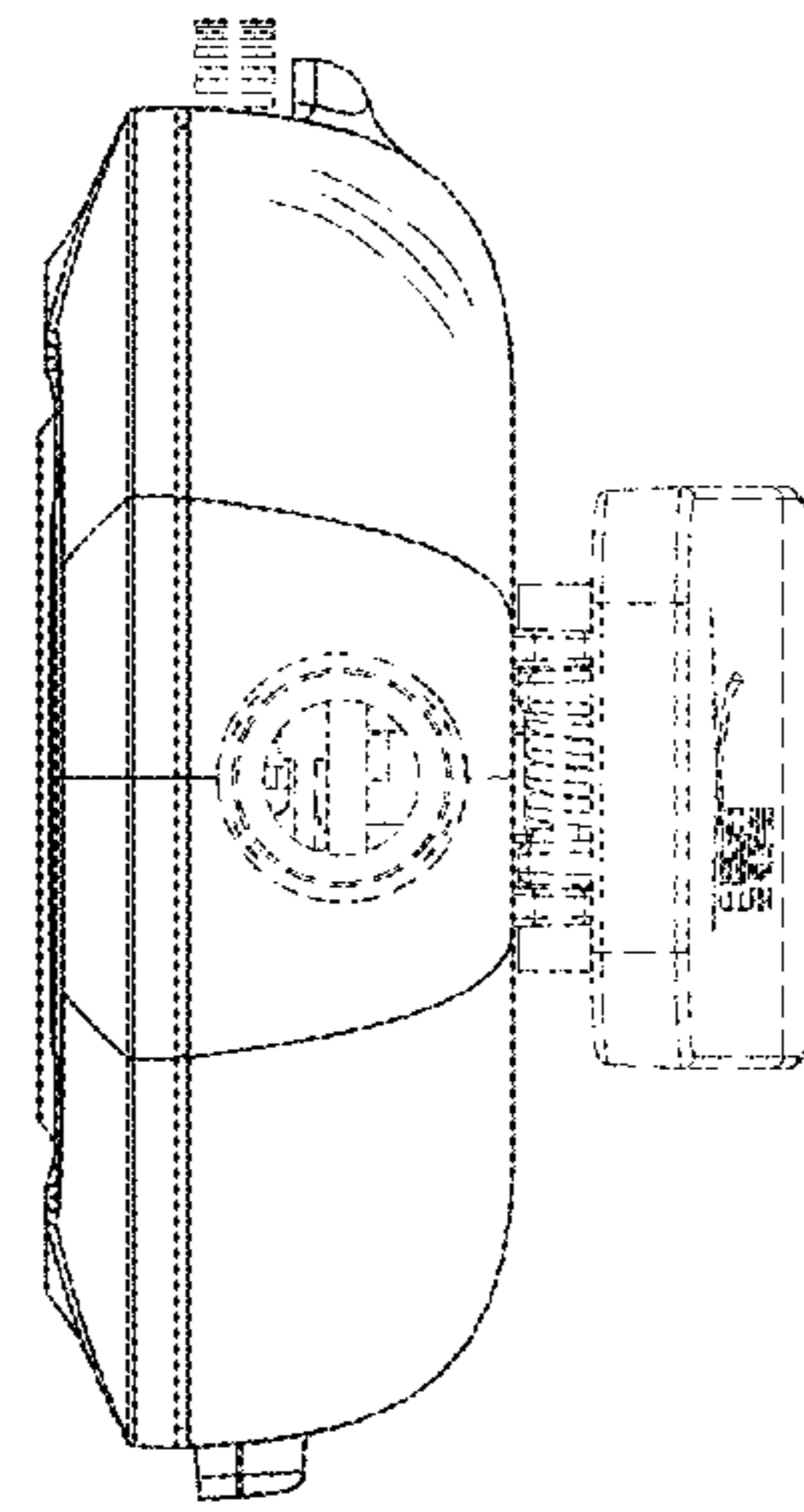


FIG.6

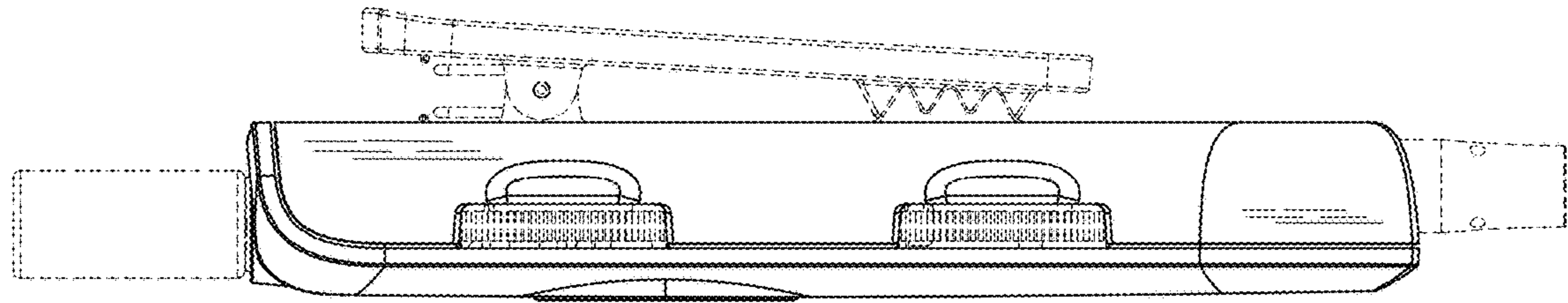


FIG. 7

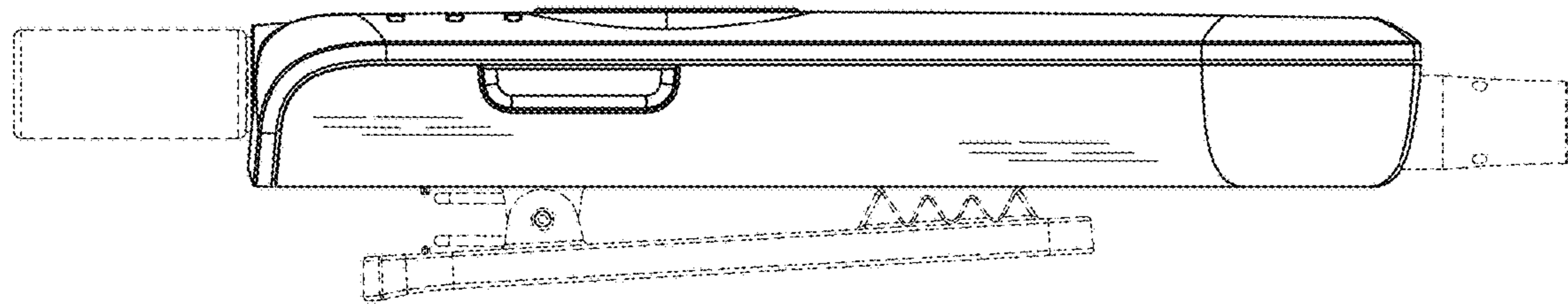


FIG. 8

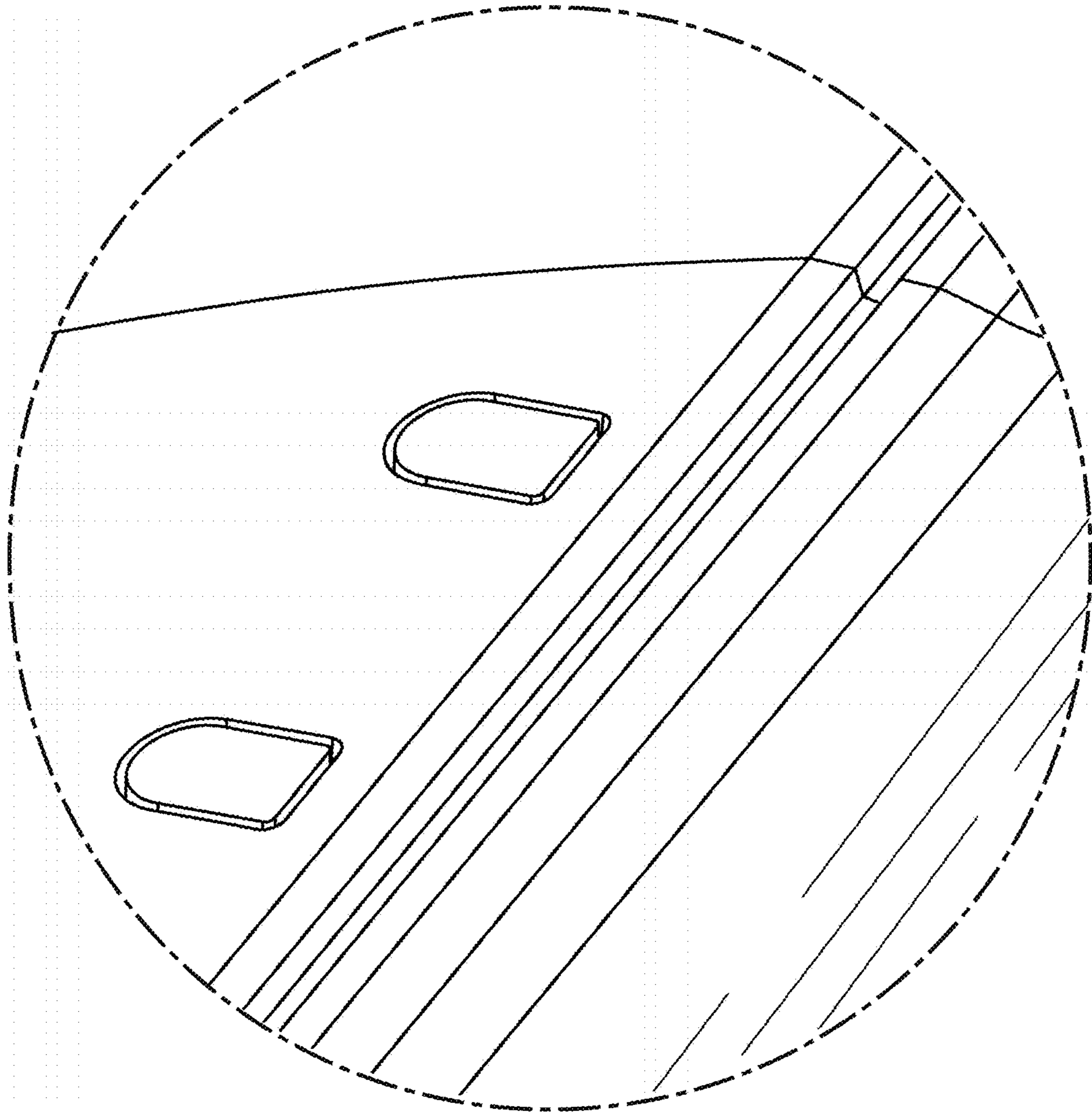


FIG. 9