



US00D811370S

(12) **United States Design Patent** (10) **Patent No.:** **US D811,370 S**
Honda (45) **Date of Patent:** **** Feb. 27, 2018**

(54) **DIGITAL MIXER**

(56) **References Cited**

(71) Applicant: **YAMAHA CORPORATION,**
Hamamatsu-shi (JP)

U.S. PATENT DOCUMENTS

(72) Inventor: **Takashi Honda,** Nagoya (JP)

D350,355 S *	9/1994	Ito	D14/217
D530,305 S *	10/2006	Kaner	D14/188
D531,163 S *	10/2006	Kaner	D14/188
D531,981 S *	11/2006	Akita	D14/188
D531,983 S *	11/2006	Akita	D14/188
D550,653 S *	9/2007	Wendt	D14/217
D565,537 S *	4/2008	Teulie	D14/188
D575,266 S *	8/2008	Nishida	D14/186
D590,831 S *	4/2009	Evans	D14/432
D606,097 S *	12/2009	Yokoyama	D14/217
D666,989 S *	9/2012	Behringer	D14/188
D793,355 S *	8/2017	Teulie	D14/188

(73) Assignee: **YAMAHA CORPORATION,**
Hamamatsu-shi (JP)

(**) Term: **15 Years**

(21) Appl. No.: **29/592,859**

(22) Filed: **Feb. 3, 2017**

* cited by examiner

(30) **Foreign Application Priority Data**

Primary Examiner — Ian Simmons

Assistant Examiner — Khawaja Anwar

Oct. 17, 2016 (JP) 2016-022516

(74) *Attorney, Agent, or Firm* — Sughrue Mion, PLLC

(51) **LOC (11) Cl.** **14-03**

(57) **CLAIM**

(52) **U.S. Cl.**
USPC **D14/217**

The ornamental design for a digital mixer, as shown and described.

(58) **Field of Classification Search**

DESCRIPTION

USPC D14/217, 257, 258, 434, 496, 162, 167, D14/175, 188, 196-198

CPC .. H03F 2200/451; H03F 3/19; H03F 2200/18; H03F 3/193; H03F 1/0205; H03F 1/0261; H03F 1/0277; H03F 1/223; H03F 1/3247; H03F 1/342; H03F 1/42; H03F 1/56; H03F 2200/129; H03F 2200/156; H03F 2200/294; H03F 2200/333; H03F 2200/408; H03F 2200/63; H03F 2200/93; H03F 2201/3215; H03F 2203/7236; H03F 3/21; H03F 3/211; H03F 3/24; H03F 3/245; H03F 3/3435; H03F 3/345; H03F 3/3455; H03F 3/72

FIG. 1 is a perspective view of the front, top and right side of a digital mixer showing my new design;
 FIG. 2 is a front view thereof;
 FIG. 3 is a rear view thereof;
 FIG. 4 is a left side view thereof;
 FIG. 5 is a right side view thereof;
 FIG. 6 is a top plan view thereof; and,
 FIG. 7 is a bottom view thereof.

The broken line showing the digital mixer is included for the purpose of illustrating portions of the digital mixer and forms no part of the claimed design.

See application file for complete search history.

1 Claim, 7 Drawing Sheets

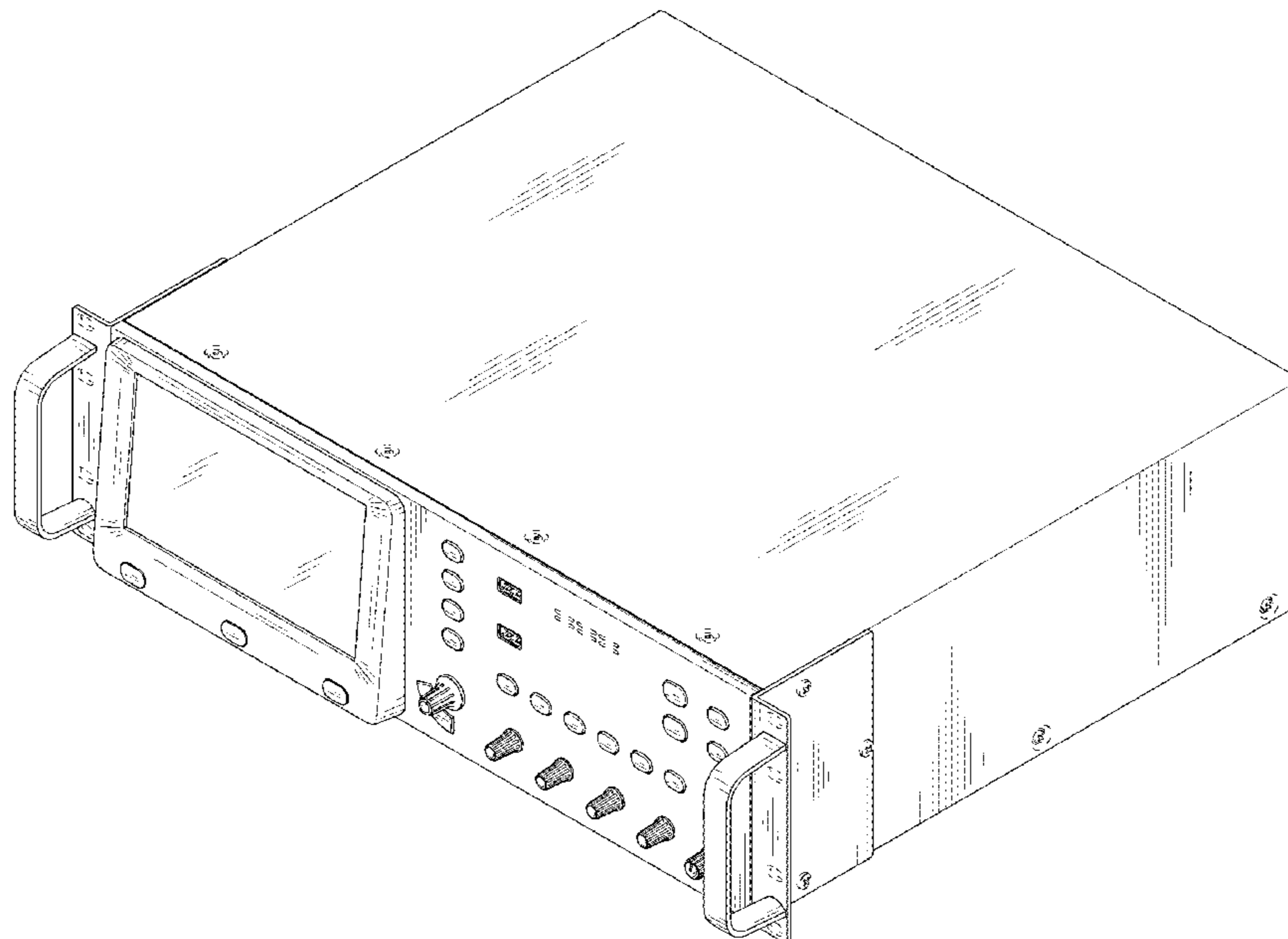


Fig.1

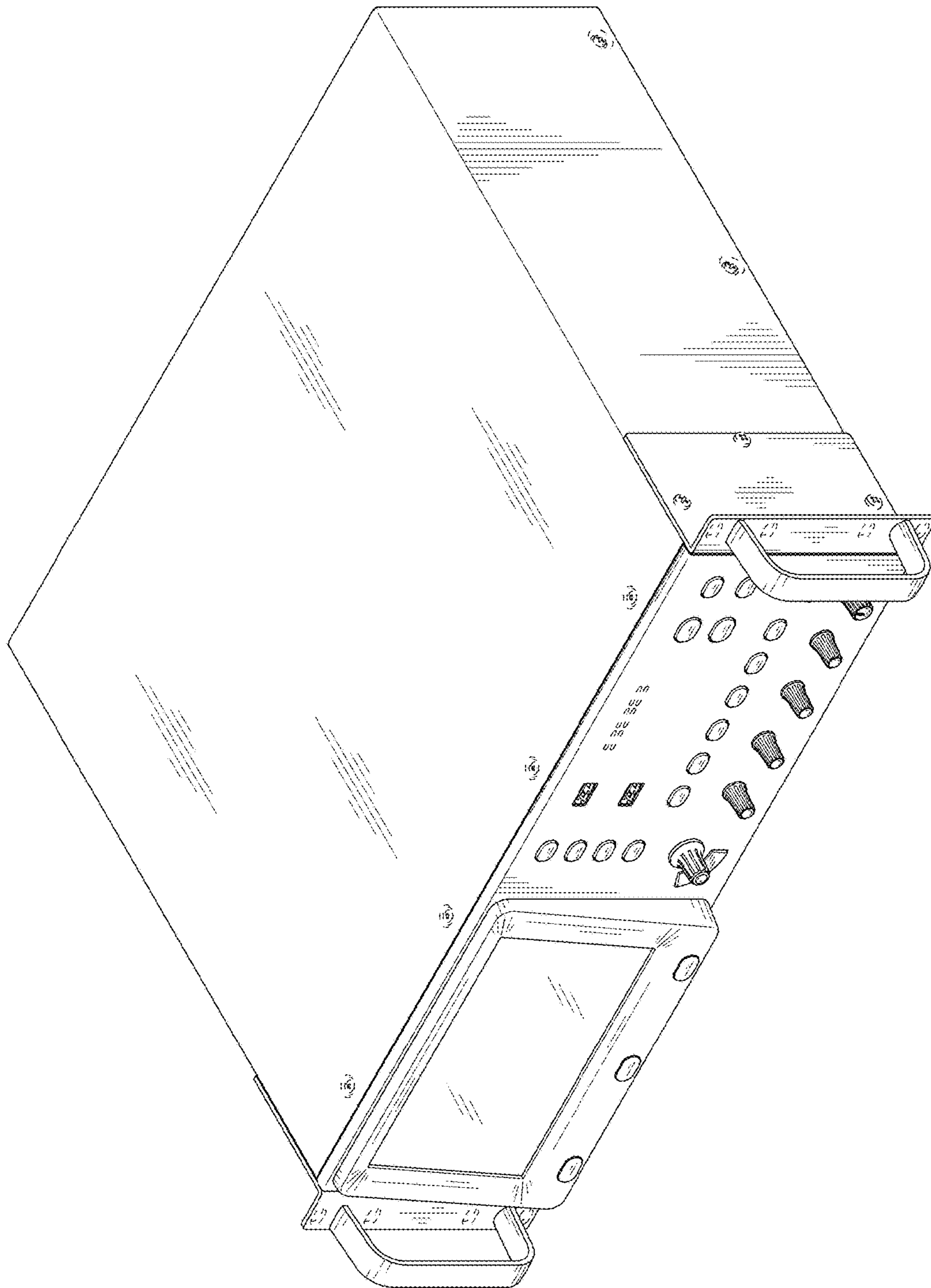


Fig. 2

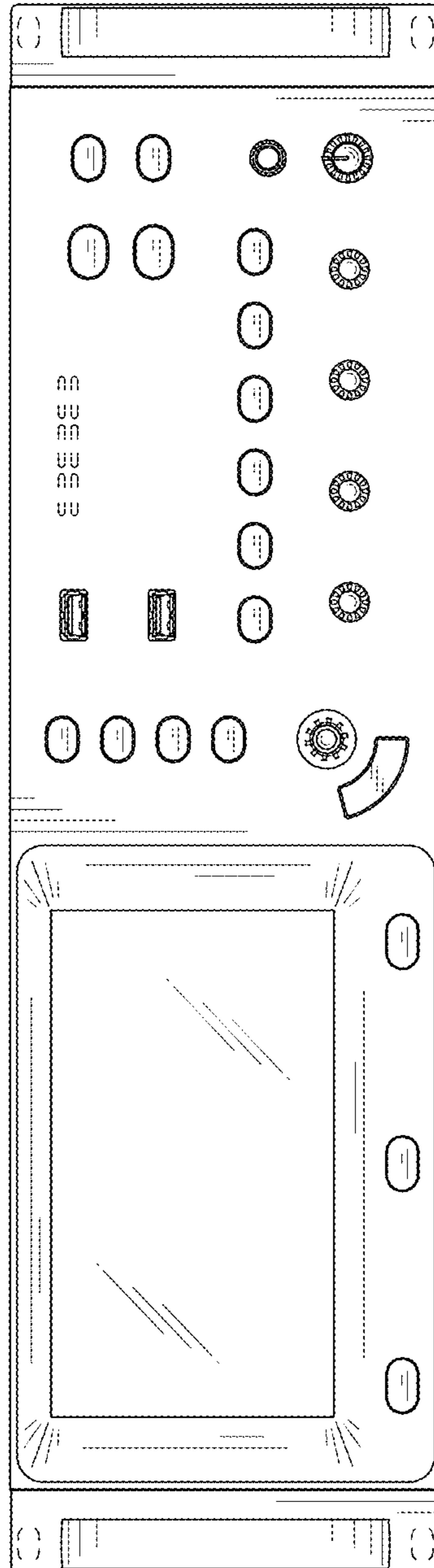


Fig.3

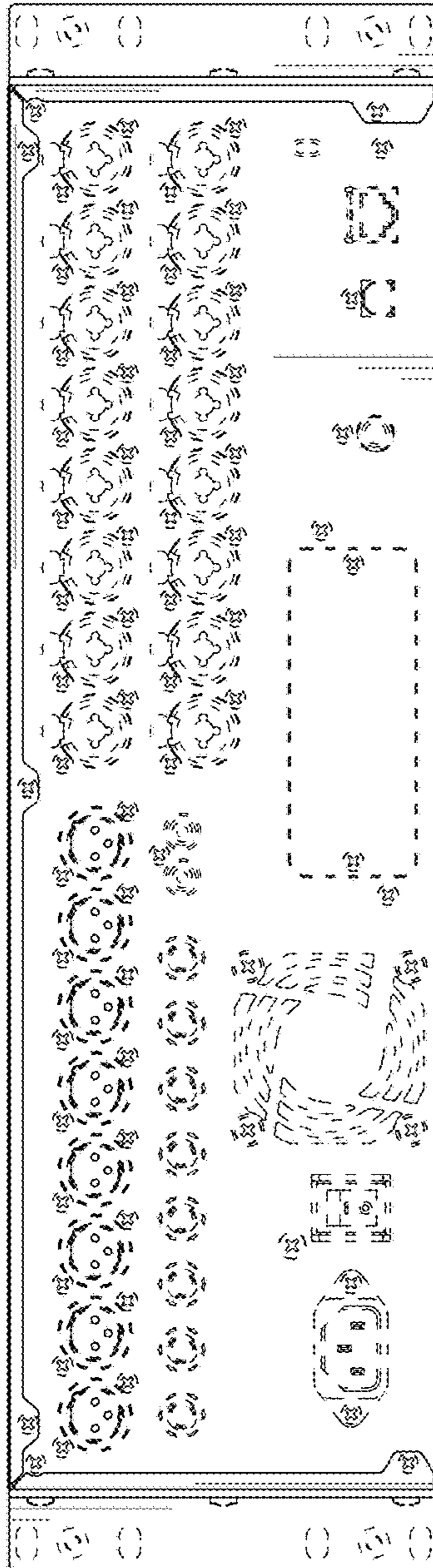


Fig.4

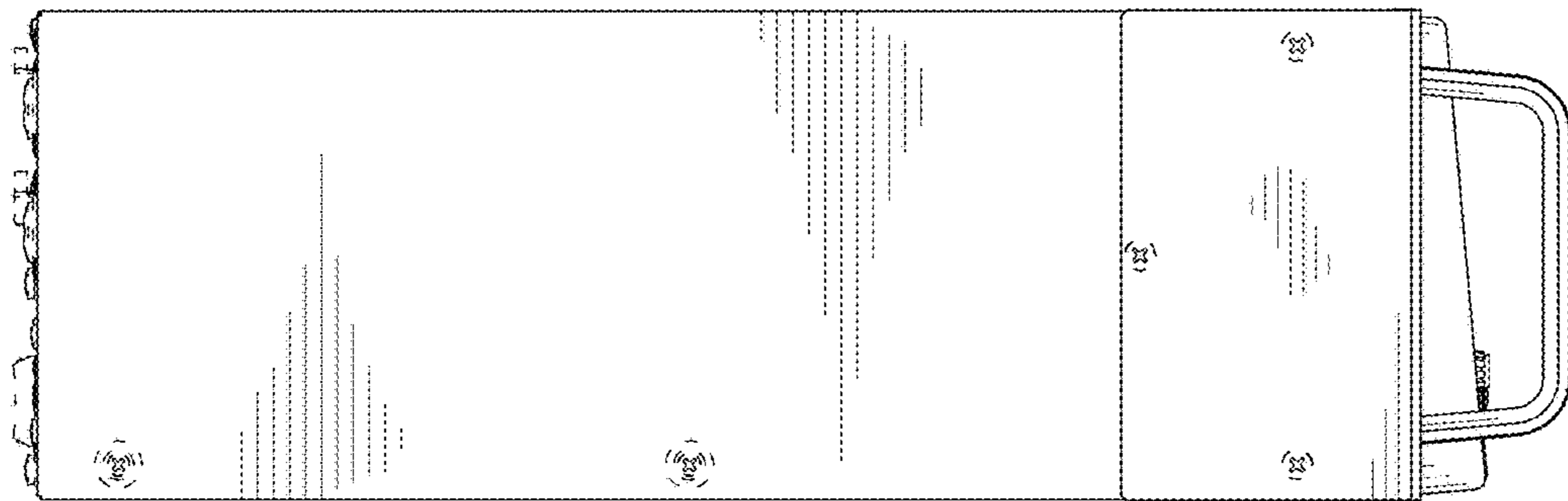


Fig.5

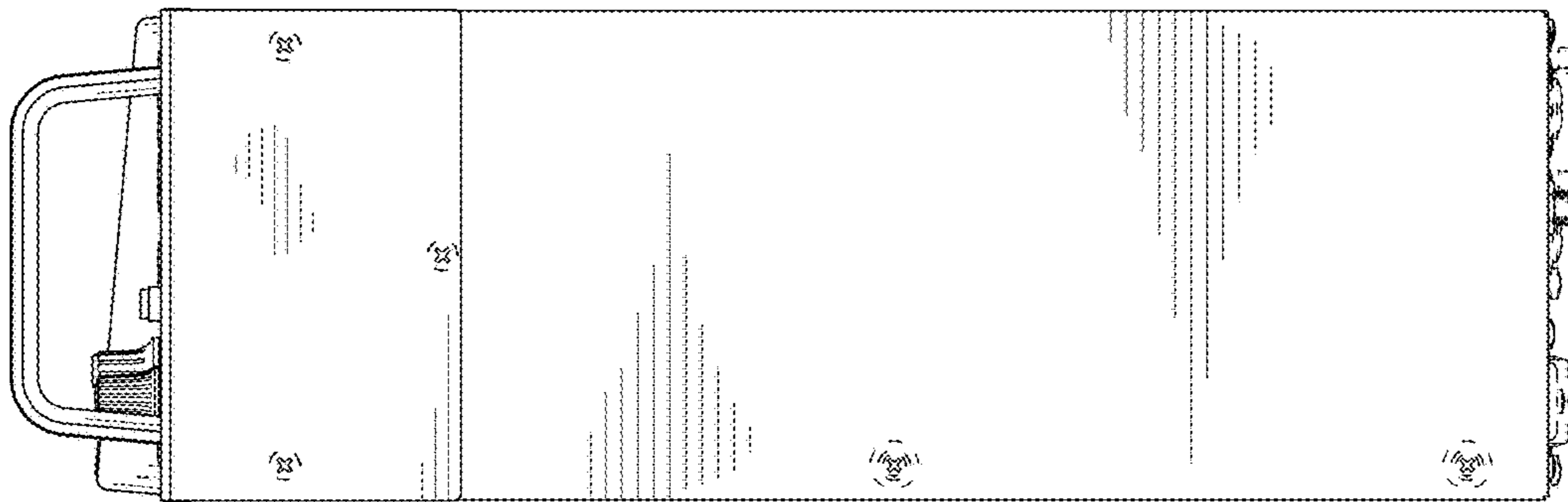


Fig. 6

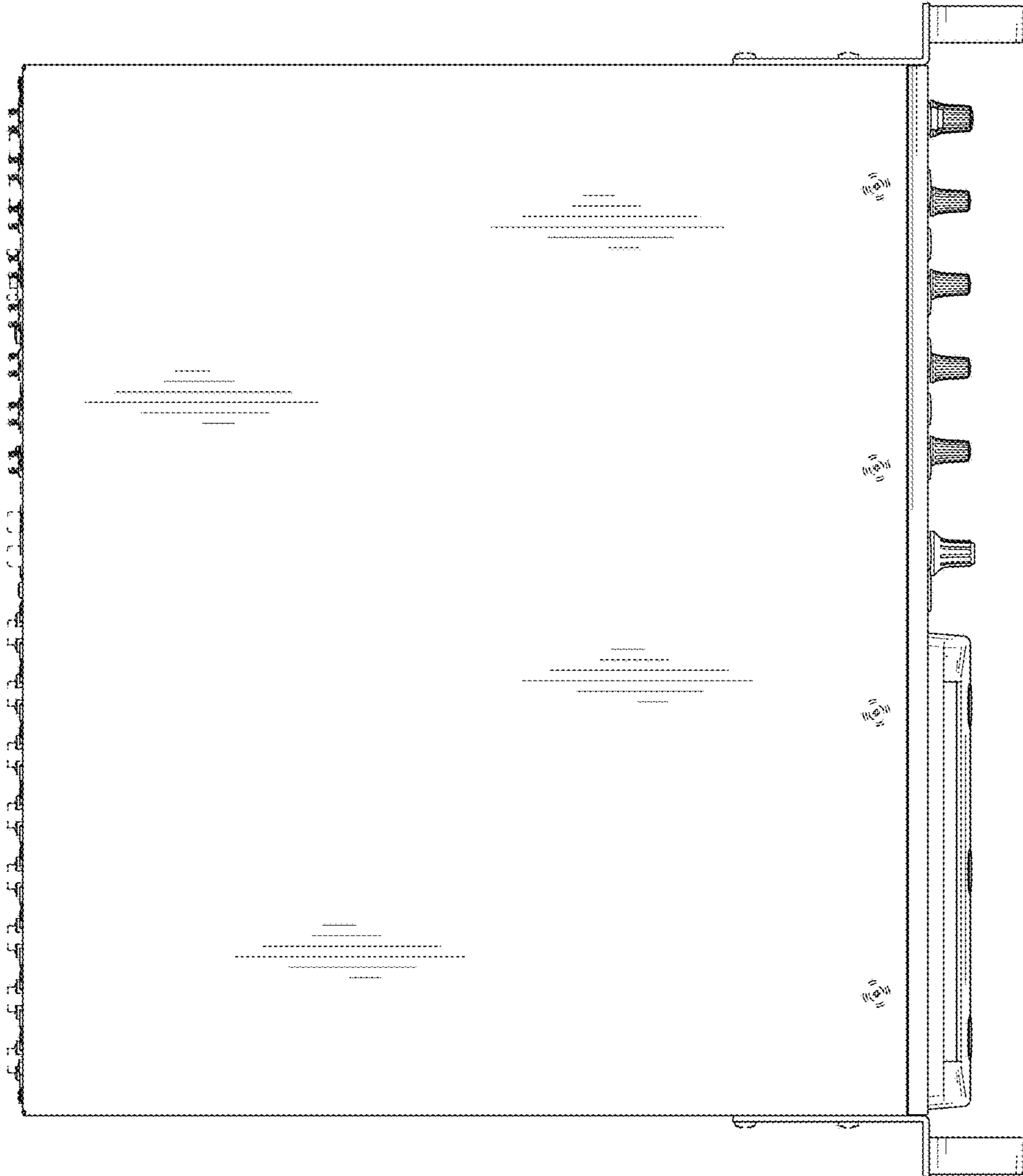


Fig. 7

