



US00D811365S

(12) **United States Design Patent**
Czaniecki

(10) **Patent No.:** **US D811,365 S**

(45) **Date of Patent:** **** Feb. 27, 2018**

- (54) **HEADPHONE**
- (71) Applicant: **Harman International Industries, Incorporated, Northridge, CA (US)**
- (72) Inventor: **Rafal Czaniecki, Shenzhen (CN)**
- (73) Assignee: **Harman International Industries, Incorporated, Northridge, CA (US)**
- (**) Term: **15 Years**
- (21) Appl. No.: **29/576,135**
- (22) Filed: **Aug. 31, 2016**
- (51) **LOC (11) Cl.** **14-01**
- (52) **U.S. Cl.**
USPC **D14/205**
- (58) **Field of Classification Search**
USPC D14/205, 188, 192; D29/112; 2/209;
181/129, 130, 135; 379/430, 431;
381/380, 381, 370, 371, 374, 375, 382,
381/384, 383; 455/90.3, 575.1, 569.1
CPC H04R 1/1066; H04R 1/1016; H04R 25/00;
H04R 25/02; H04R 5/033; H04R 5/0335
See application file for complete search history.

- 5,406,037 A * 4/1995 Nageno H04R 5/0335
181/129
- D375,584 S * 11/1996 Westerdal D29/112
- 5,640,458 A * 6/1997 Nishiguchi G11C 7/16
381/2
- D410,466 S * 6/1999 Mouri D14/205
- D484,485 S * 12/2003 Matsuoka D14/205
- D491,163 S * 6/2004 Green D14/205
- D512,708 S * 12/2005 Harris, Jr. D14/205
- D532,407 S * 11/2006 Motoishi D14/205
- D540,301 S * 4/2007 Obata D14/205
- D541,255 S * 4/2007 Taylor D14/205
- D563,382 S * 3/2008 Wikel D14/205
- 7,388,960 B2 * 6/2008 Kuo H04R 1/1041
379/430
- D573,581 S * 7/2008 Gondo D14/205
- D581,394 S * 11/2008 Lee D14/205
- D585,871 S * 2/2009 Lee D14/205
- D592,639 S * 5/2009 Kuh D14/205
- D594,847 S * 6/2009 Suzuki D14/205
- D620,474 S * 7/2010 Komiyama D14/205

(Continued)

Primary Examiner — Paula Allen Greene
(74) *Attorney, Agent, or Firm* — Plumsea Law Group, LLC

(57) **CLAIM**

The ornamental design for a headphone, as shown and described.

DESCRIPTION

FIG. 1 is a perspective view of a headphone showing the new design;
FIG. 2 is a perspective view thereof, in a folded configuration; and,
FIG. 3 is another perspective view thereof.
The broken lines are directed to environment, are for illustrative purposes only, and form no part of the claimed design. The line shading is intended to depict contours, and does not connote the character of surfaces such as any specific material, surface treatment, or texture.

1 Claim, 3 Drawing Sheets

(56) **References Cited**

U.S. PATENT DOCUMENTS

- 3,454,964 A * 7/1969 Brinkhoff A61F 11/14
2/209
- D229,833 S * 1/1974 Becker D14/205
- 3,815,155 A * 6/1974 Davison A42B 3/166
2/209
- D255,352 S * 6/1980 Besasie D14/205
- 5,018,599 A * 5/1991 Dohi H04R 1/1008
181/129
- 5,068,923 A * 12/1991 Sjoqvist A61F 11/14
181/129
- D328,074 S * 7/1992 Yamazaki D14/205
- D328,461 S * 8/1992 Daido D14/205



(56)

References Cited

U.S. PATENT DOCUMENTS

D635,959 S * 4/2011 Hutchieson D14/205
 D638,397 S * 5/2011 McManigal D14/205
 D639,776 S * 6/2011 Arimoto D14/205
 D642,554 S * 8/2011 Schaal D14/205
 8,098,872 B2 * 1/2012 Chang H04R 1/1075
 381/370
 D665,775 S * 8/2012 Katsumata D14/205
 8,325,962 B2 * 12/2012 Ishida H04R 5/0335
 381/370
 D678,860 S * 3/2013 Hagelin D14/205
 D683,329 S * 5/2013 Hagelin D14/205
 D691,579 S * 10/2013 Lee D14/205
 D697,495 S * 1/2014 Lian D14/205
 D705,750 S * 5/2014 Wu H04R 1/1066
 D14/205
 D706,240 S * 6/2014 Szymanski H04R 1/1066
 D14/205
 D706,241 S * 6/2014 Szymanski H04R 1/1066
 D14/205
 D707,200 S * 6/2014 Yang H04R 1/1066
 D14/205
 D716,762 S * 11/2014 Greve D14/206

D719,136 S * 12/2014 Schaal D14/205
 D721,052 S * 1/2015 Carr D14/205
 D729,194 S * 5/2015 Boeckel D14/205
 D734,297 S * 7/2015 Sasaki D14/205
 D737,799 S * 9/2015 Carr D14/205
 D739,842 S * 9/2015 Birger D14/205
 D741,289 S * 10/2015 Schaal D14/205
 D750,041 S * 2/2016 Birger D14/205
 D758,337 S * 6/2016 Szymanski D14/205
 D761,761 S * 7/2016 Ando D14/205
 D765,055 S * 8/2016 Hsieh D14/205
 D767,531 S * 9/2016 Szymanski D14/205
 D784,298 S * 4/2017 Ozawa D14/223
 D787,470 S * 5/2017 Kelly D14/205
 2001/0017925 A1 * 8/2001 Ceravolo H04M 1/05
 381/370
 2009/0268936 A1 * 10/2009 Goldberg H04R 1/1041
 381/384
 2010/0310093 A1 * 12/2010 Semcken H04R 1/1058
 381/104
 2013/0177165 A1 * 7/2013 Oishi H04R 1/1041
 381/74
 2014/0363016 A1 * 12/2014 Blonder H04R 1/1025
 381/74

* cited by examiner

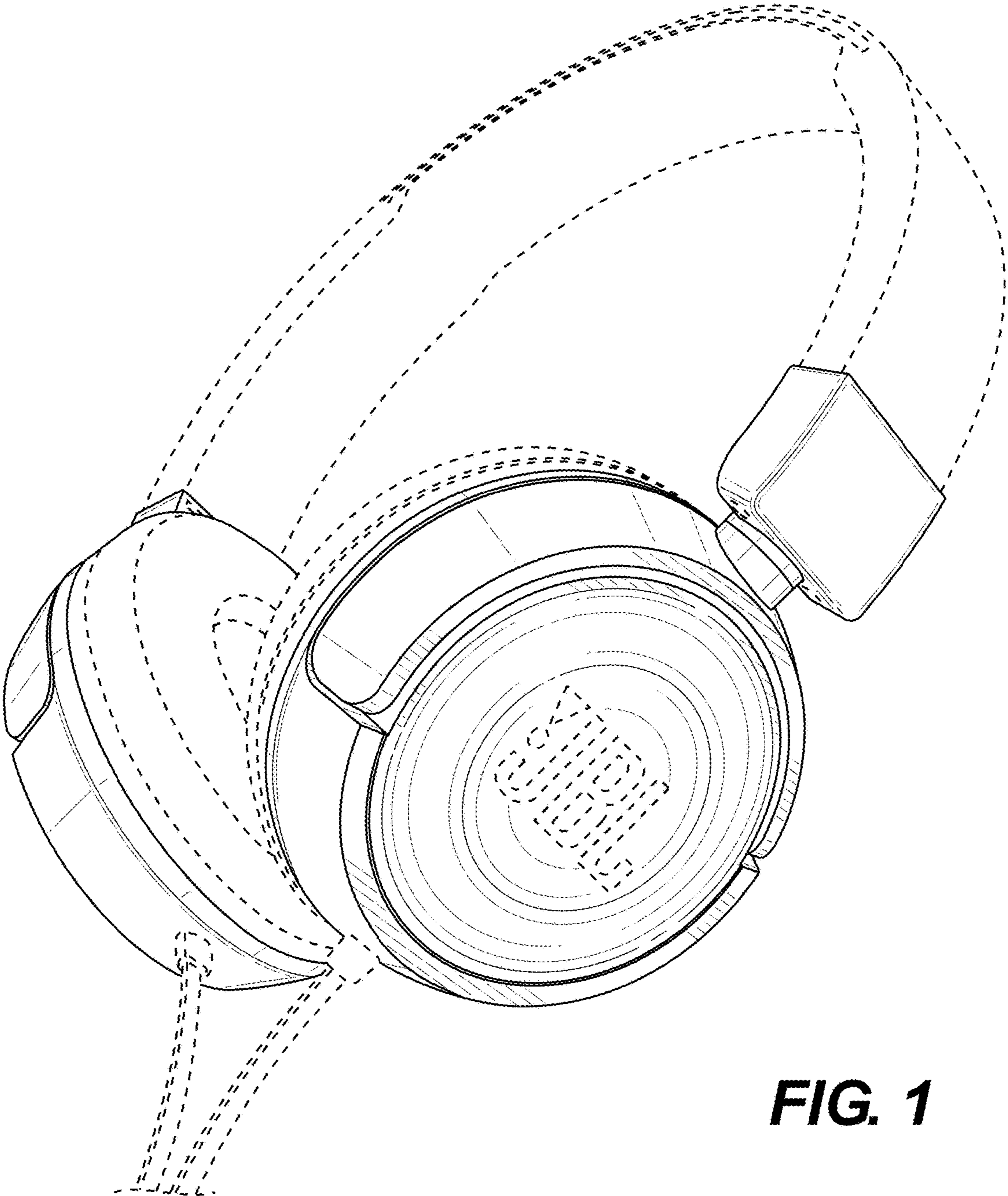


FIG. 1

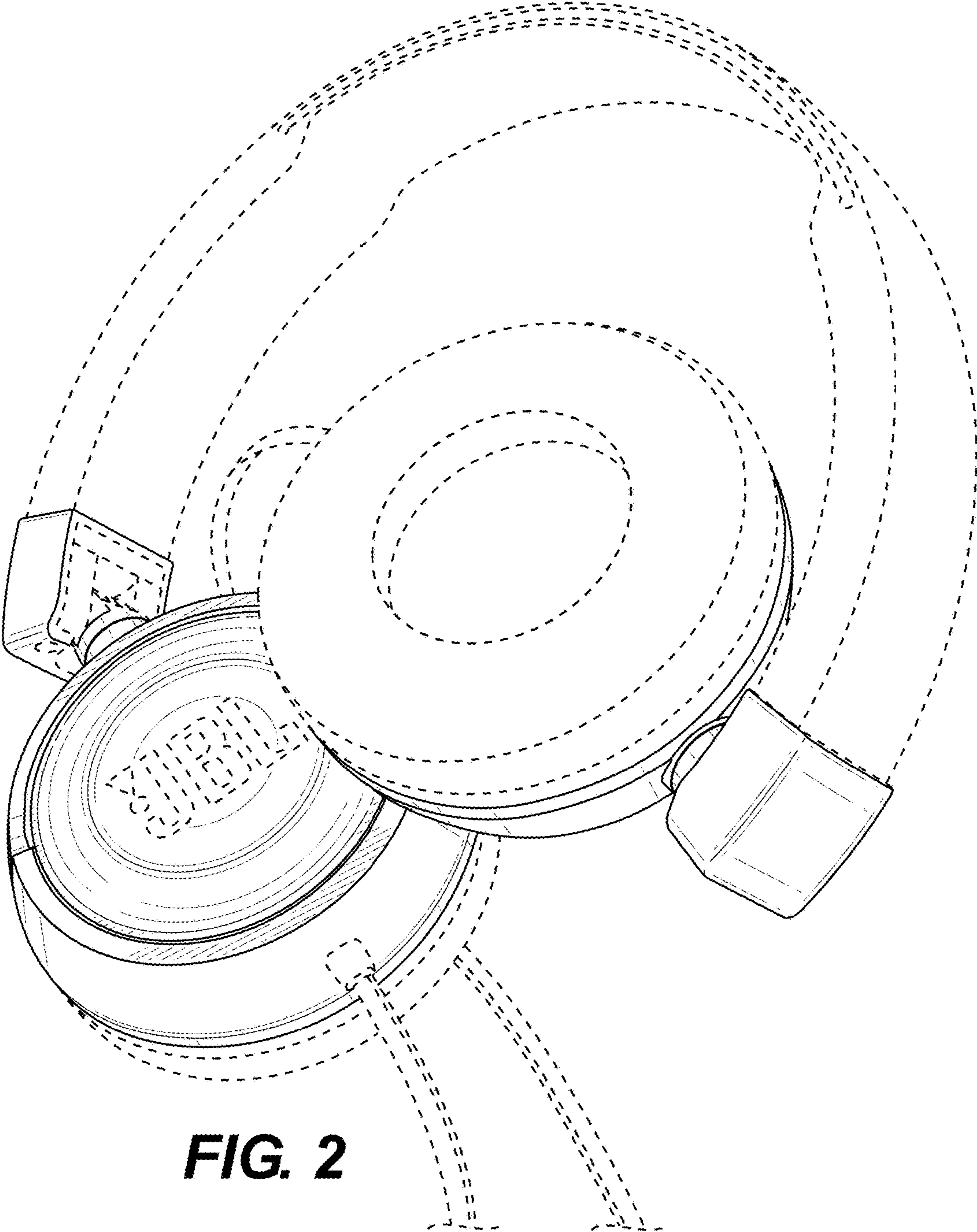


FIG. 2

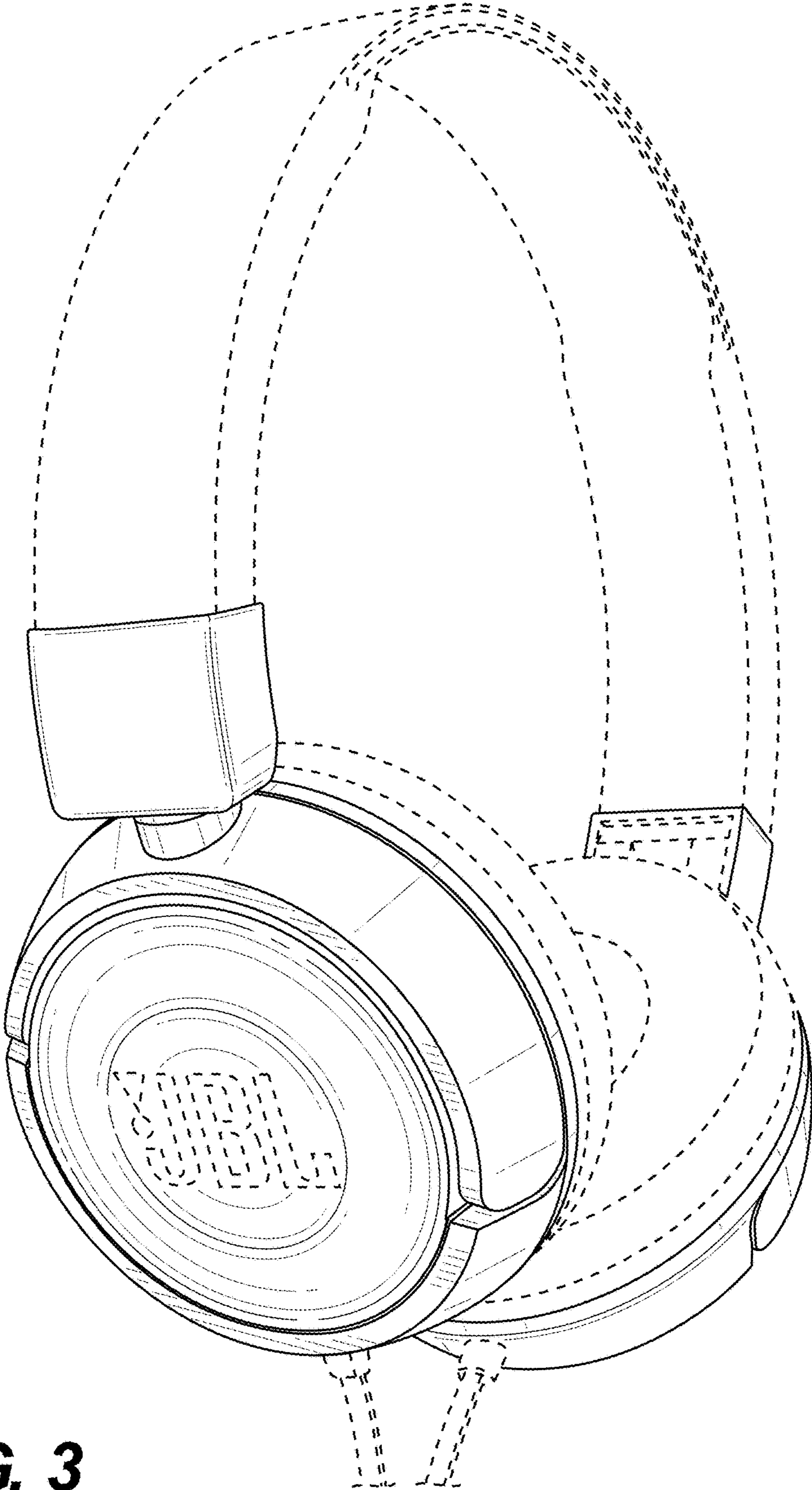


FIG. 3