



US00D811364S

(12) **United States Design Patent**  
**Park**

(10) **Patent No.:** **US D811,364 S**

(45) **Date of Patent:** **\*\* Feb. 27, 2018**

(54) **HEADPHONE**

(71) Applicant: **Harman International Industries, Incorporated**, Northridge, CA (US)

(72) Inventor: **Sunghoon Park**, Shenzhen (CN)

(73) Assignee: **Harman International Industries, Incorporated**, Northridge, CA (US)

(\*\*) Term: **15 Years**

(21) Appl. No.: **29/576,108**

(22) Filed: **Aug. 31, 2016**

(51) **LOC (11) Cl.** ..... **14-01**

(52) **U.S. Cl.**  
USPC ..... **D14/205**

(58) **Field of Classification Search**  
USPC ..... D14/205, 188, 192; D29/112; 2/209;  
181/129, 130, 135; 379/430, 431;  
381/380, 381, 374, 379, 378, 376, 370,  
381/371, 187, 74; 455/90.3, 575.1, 569.1  
CPC .... H04R 1/1066; H04R 1/1016; H04R 5/033;  
H04R 5/0335; H04R 25/00; H04R 25/02  
See application file for complete search history.

(56) **References Cited**

**U.S. PATENT DOCUMENTS**

- 3,787,899 A \* 1/1974 Krawagna ..... H04R 1/1066  
2/209
- D270,634 S \* 9/1983 Ungar ..... D14/205
- 4,459,707 A \* 7/1984 Stallings ..... A61F 11/14  
181/129
- 4,689,822 A \* 8/1987 Houng ..... H04R 1/1066  
381/371
- 5,018,599 A \* 5/1991 Dohi ..... H04R 1/1008  
181/129
- 5,035,005 A \* 7/1991 Hung ..... H04M 1/05  
2/209
- D345,163 S \* 3/1994 Yamatogi ..... D14/205

- D351,172 S \* 10/1994 Nakamura ..... D14/205
- D358,389 S \* 5/1995 Isono ..... D14/205
- 5,793,878 A \* 8/1998 Chang ..... H04R 5/0335  
381/370
- 5,862,241 A \* 1/1999 Nelson ..... H04R 1/1066  
381/374
- D405,449 S \* 2/1999 Nakamura ..... D14/205
- 6,006,115 A \* 12/1999 Wingate ..... H04M 1/6033  
379/110.01
- 6,263,085 B1 \* 7/2001 Weffer ..... H04R 5/033  
379/430
- D457,874 S \* 5/2002 Yoneda ..... D14/205
- D484,485 S \* 12/2003 Matsuoka ..... D14/205
- 6,654,966 B2 \* 12/2003 Rolla ..... H04R 1/1066  
2/209

(Continued)

*Primary Examiner* — Paula Allen Greene

(74) *Attorney, Agent, or Firm* — Plumsea Law Group, LLC

(57) **CLAIM**

The ornamental design for a headphone, as shown and described.

**DESCRIPTION**

FIG. 1 is a perspective view of a headphone showing the new design;

FIG. 2 is a front elevational view thereof;

FIG. 3 is a side elevational view of one side thereof;

FIG. 4 is a side elevational view of the opposite side thereof;

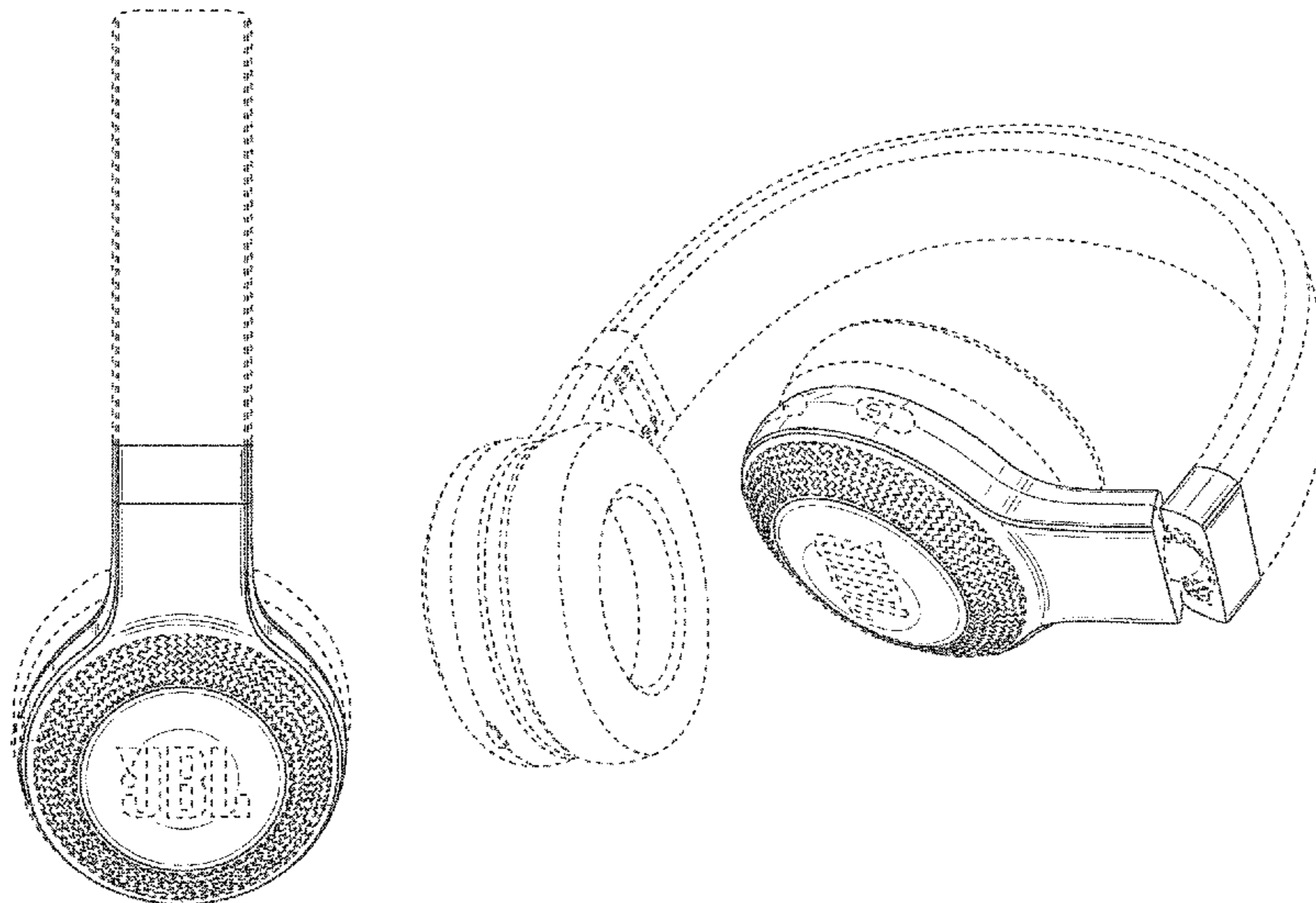
FIG. 5 is a top plan view thereof;

FIG. 6 is a bottom plan view thereof; and,

FIG. 7 is a perspective view thereof, in a folded configuration.

The broken lines immediately adjacent the shaded areas represent the bounds of the claimed design, while all other broken lines are directed to environment and are for illustrative purposes only; the broken lines form no part of the claimed design.

**1 Claim, 7 Drawing Sheets**



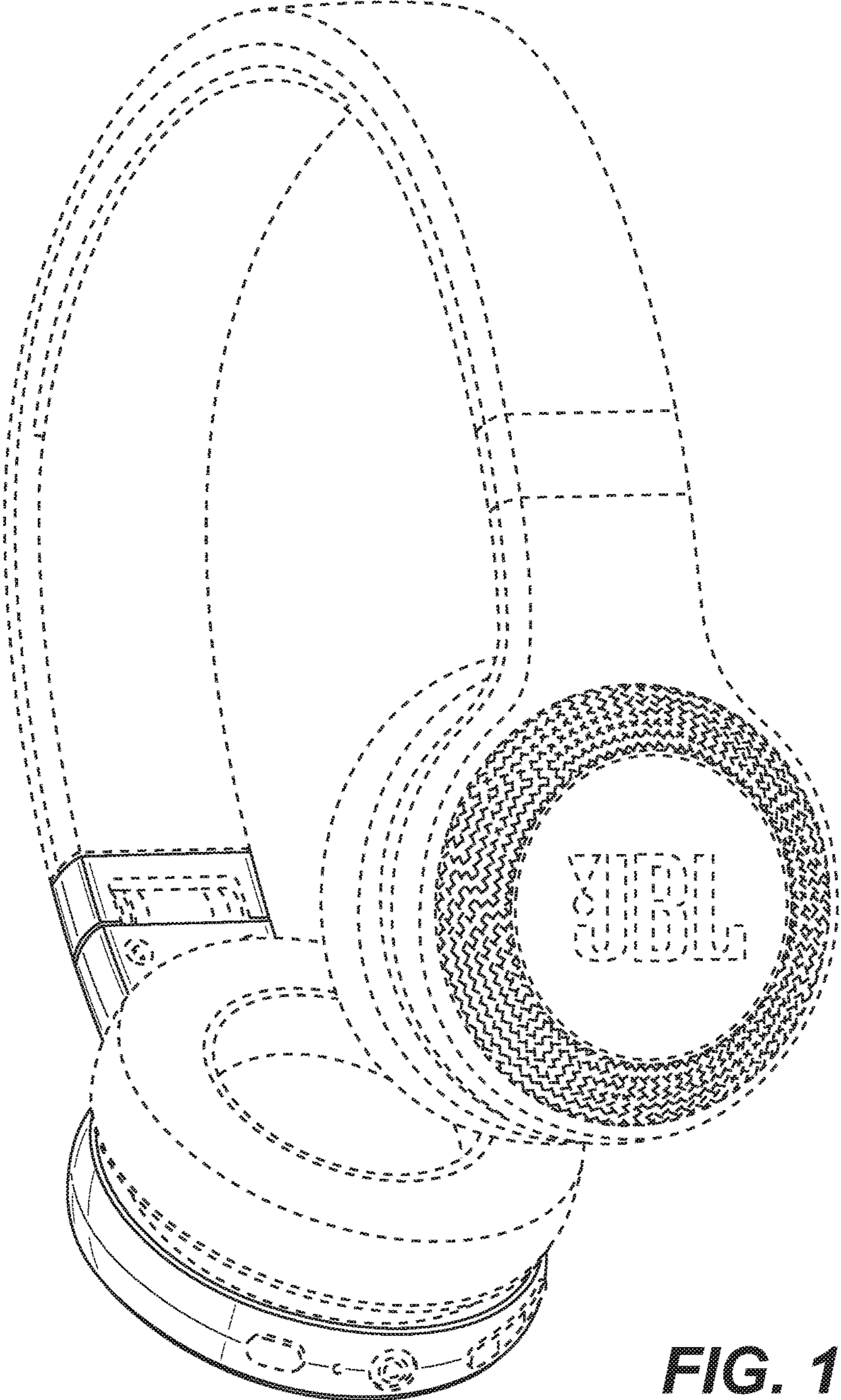
(56)

References Cited

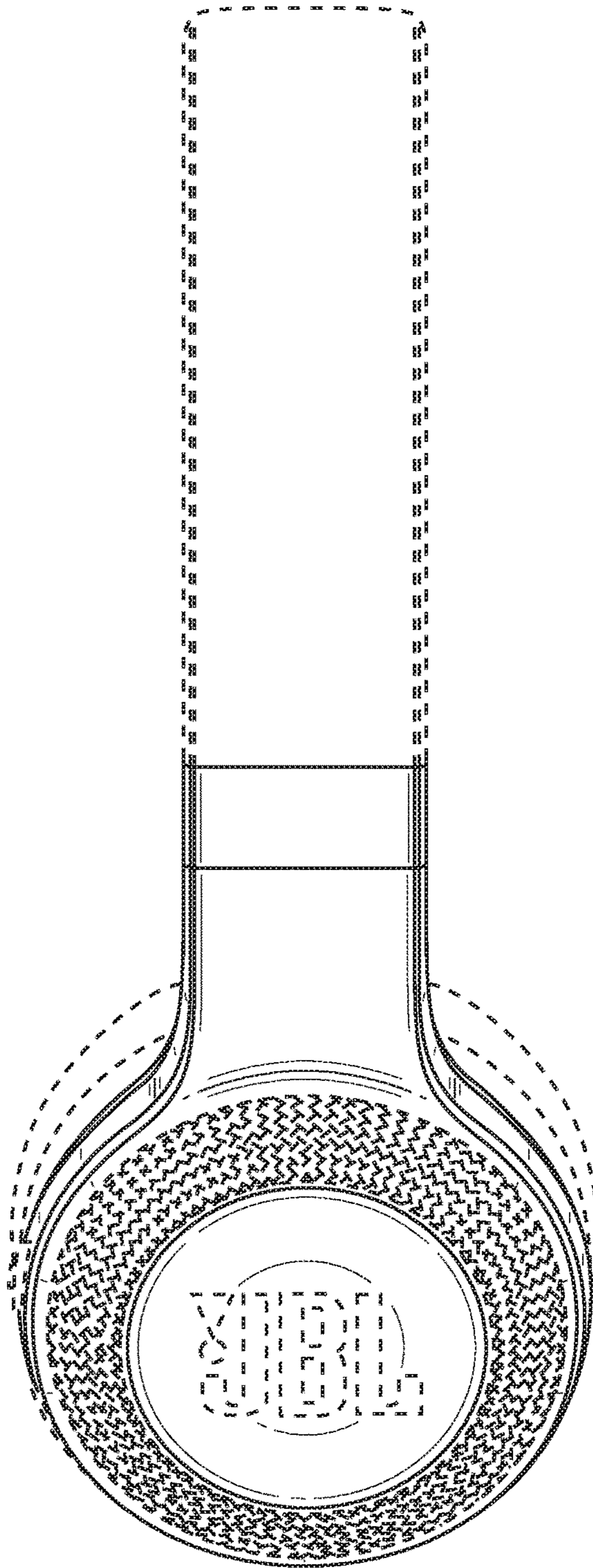
U.S. PATENT DOCUMENTS

6,980,165 B2 *	12/2005	Yuasa	.....	H01Q 1/273 343/718	D662,490 S *	6/2012	McSweyn	.....	D14/205
D519,497 S *	4/2006	Komiyama	.....	D14/223	8,314,883 B2 *	11/2012	Richardson	.....	H04M 1/0208 348/373
D534,155 S *	12/2006	Obata	.....	D14/205	D673,136 S *	12/2012	Kelly	.....	D14/205
D541,257 S *	4/2007	Thursfield	.....	D14/205	D673,519 S *	1/2013	Tan	.....	D14/205
7,388,960 B2 *	6/2008	Kuo	.....	H04R 1/1041 379/430	D696,644 S *	12/2013	Sejпка	.....	D14/205
D588,100 S *	3/2009	Densho	.....	D14/205	D719,136 S *	12/2014	Schaal	.....	D14/205
D593,995 S *	6/2009	Shimizu	.....	D14/205	D727,287 S *	4/2015	Ishikura	.....	D14/205
D625,705 S *	10/2010	Ohori	.....	D14/205	D734,297 S *	7/2015	Sasaki	.....	D14/205
D634,732 S *	3/2011	Kondo	.....	D14/205	D760,687 S *	7/2016	Brunner	.....	D14/205
D637,176 S *	5/2011	Brunner	.....	D14/205	D761,761 S *	7/2016	Ando	.....	D14/205
D642,554 S *	8/2011	Schaal	.....	D14/205	D765,055 S *	8/2016	Hsieh	.....	D14/205
D657,344 S *	4/2012	Brunner	.....	D14/205	D789,327 S *	6/2017	Miyake	.....	D14/205
D657,346 S *	4/2012	Park	.....	D14/205	D791,103 S *	7/2017	Brunner	.....	D14/205
D662,080 S *	6/2012	Carr	.....	D14/205	D791,733 S *	7/2017	Brunner	.....	D14/205
					2004/0216946 A1 *	11/2004	Lenhard- Backhaus	.....	H04R 1/1066 181/129

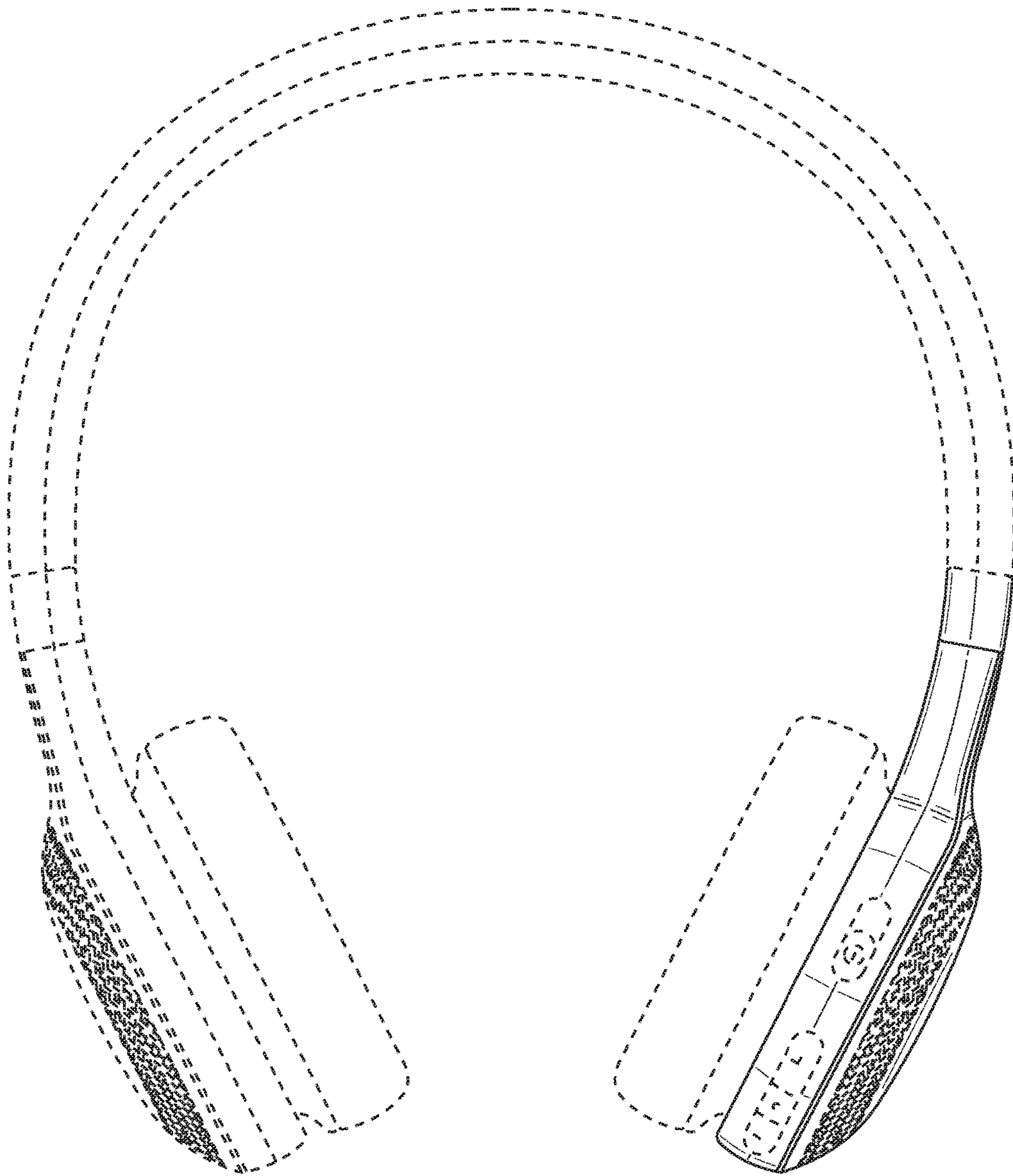
\* cited by examiner



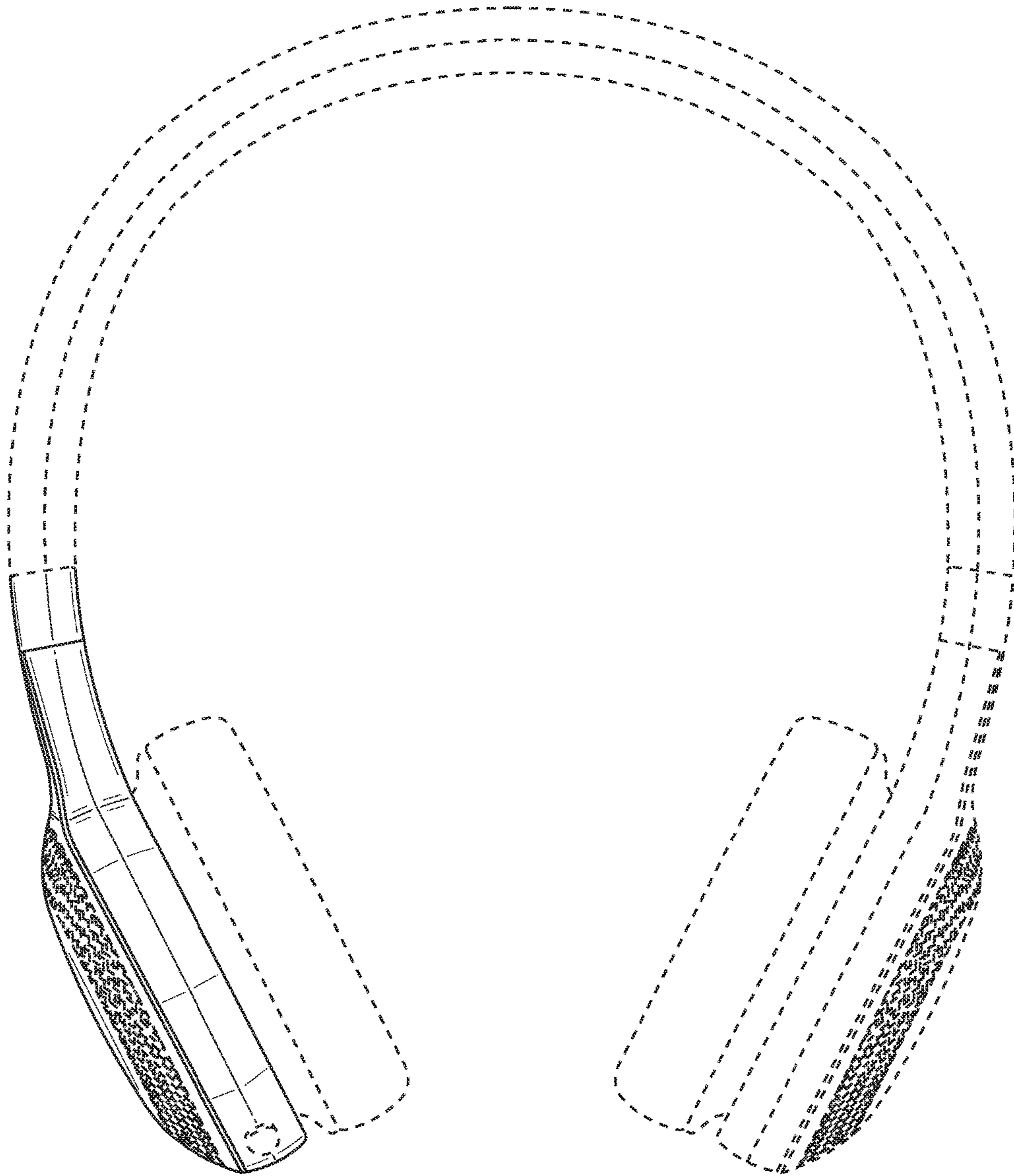




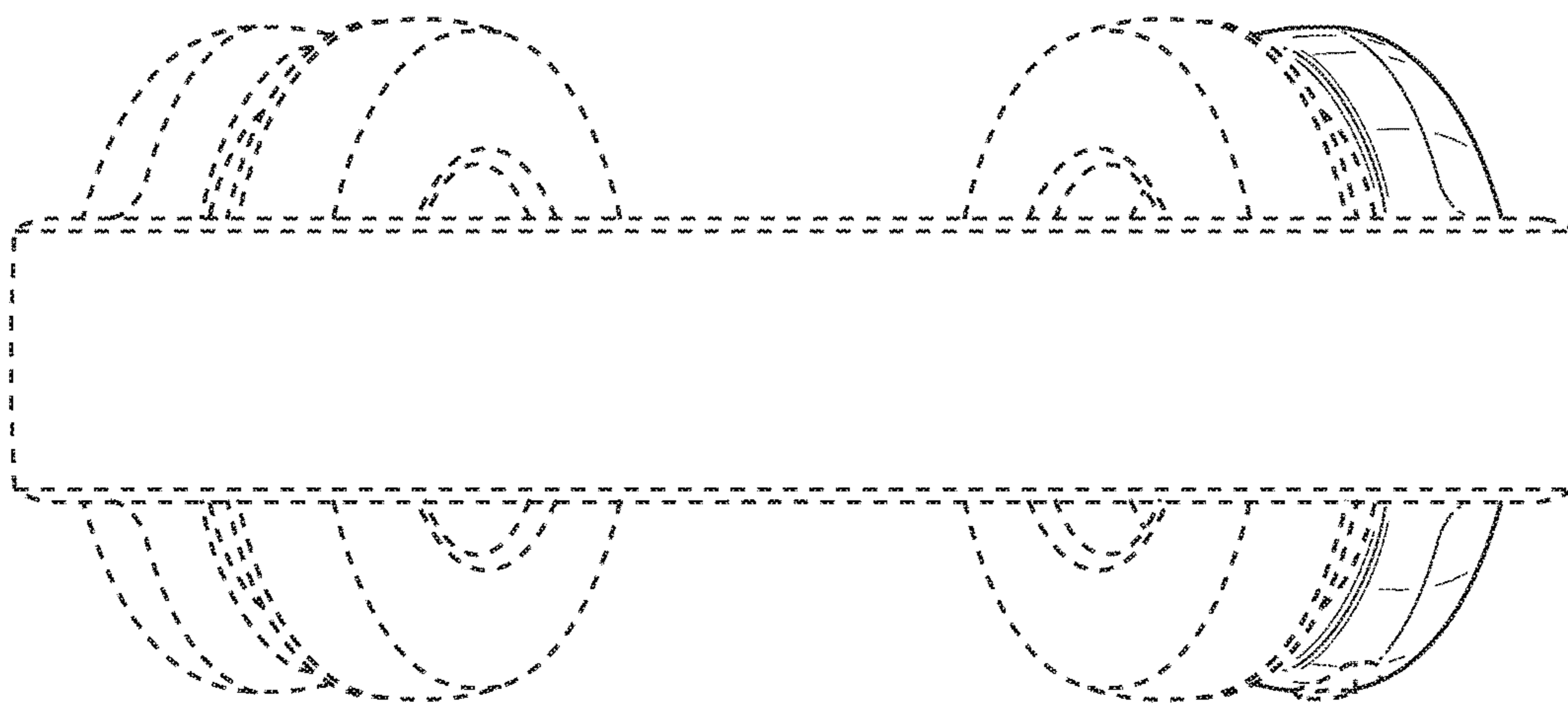
**FIG. 2**



**FIG. 3**

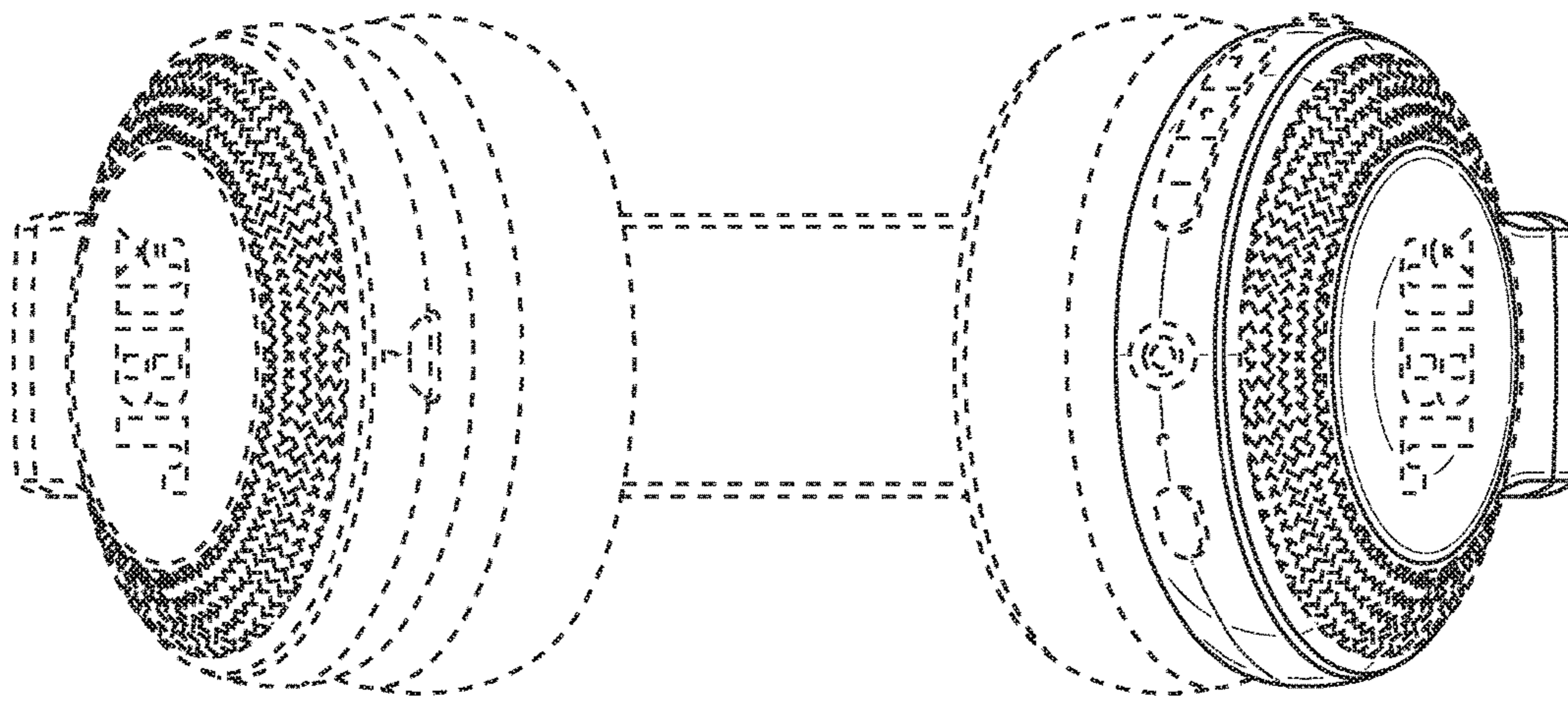


**FIG. 4**



**FIG. 5**





**FIG. 6**



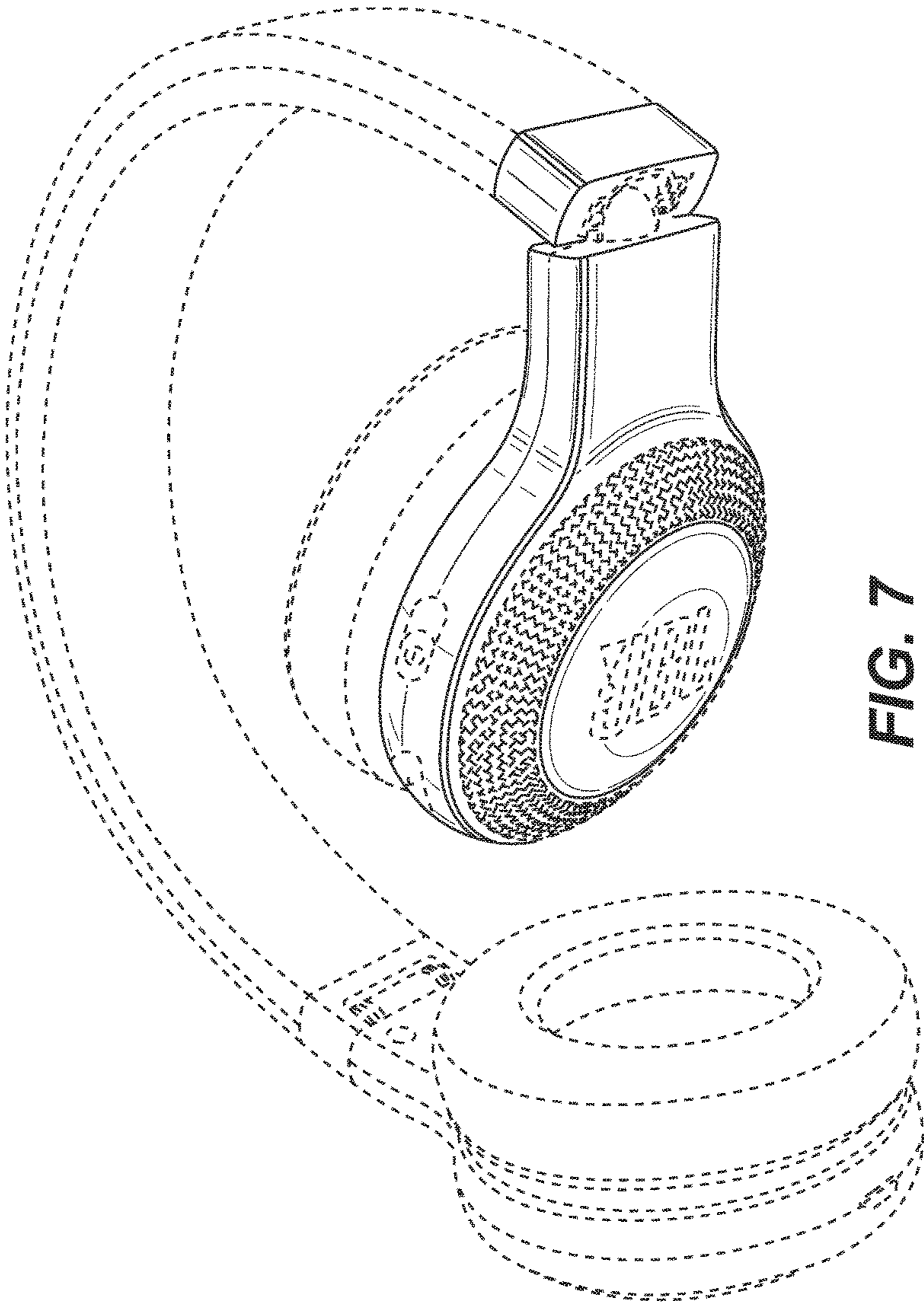


FIG. 7