



US00D811362S

(12) **United States Design Patent**  
**Petersen**

(10) **Patent No.:** **US D811,362 S**

(45) **Date of Patent:** **\*\* Feb. 27, 2018**

- (54) **HEADPHONE HEADSET**
- (71) Applicant: **Zound Industries International AB**,  
Stockholm (SE)
- (72) Inventor: **Erik Petersen**, Stockholm (SE)
- (73) Assignee: **Zound Industries International AB**,  
Stockholm (SE)
- (\*\*) Term: **15 Years**
- (21) Appl. No.: **29/556,713**
- (22) Filed: **Mar. 2, 2016**
- (30) **Foreign Application Priority Data**  
Sep. 3, 2015 (EM) ..... 002765909-0001
- (51) **LOC (11) Cl.** ..... **14-01**
- (52) **U.S. Cl.**  
USPC ..... **D14/205**
- (58) **Field of Classification Search**  
USPC ..... D14/205, 188, 192; D29/112; 2/209;  
181/129, 130, 135; 379/430, 431;  
381/380, 381, 374, 375, 378; 455/90.3,  
455/575.1, 569.1  
CPC .... H04R 25/00; H04R 1/1066; H04R 1/1016;  
H04R 5/033; H04R 5/0335  
See application file for complete search history.

- (56) **References Cited**  
U.S. PATENT DOCUMENTS
- 2,075,196 A \* 3/1937 Hand ..... H04R 1/1066  
381/377
- 2,149,341 A \* 3/1939 Harrison ..... H04R 1/1066  
248/274.1
- 2,437,049 A \* 3/1948 Salisbury ..... A61F 11/14  
128/866
- 2,754,519 A \* 7/1956 Kindel ..... A61F 11/14  
128/866
- D203,677 S \* 2/1966 Spillman ..... D14/205

- 3,311,713 A \* 3/1967 Knuebel ..... H04M 1/05  
379/430
- 3,440,663 A \* 4/1969 Beguin ..... A61F 11/14  
2/209
- 3,488,457 A \* 1/1970 Lahti ..... H04R 1/1008  
381/371
- 3,505,684 A \* 4/1970 Hutchinson ..... A61F 11/14  
2/209
- 3,681,540 A \* 8/1972 Thomson ..... H04R 5/0335  
381/374
- D228,352 S \* 9/1973 Itagaki ..... D14/205
- D246,242 S \* 11/1977 Bellini ..... D14/205
- D270,634 S \* 9/1983 Ungar ..... D14/205
- 4,546,215 A \* 10/1985 Ferraro ..... H04R 1/1058  
2/209
- 4,571,746 A \* 2/1986 Gorike ..... H04R 5/0335  
2/209

(Continued)

*Primary Examiner* — Paula Allen Greene  
(74) *Attorney, Agent, or Firm* — Alonzo & Associates;  
Arlyn Alonzo

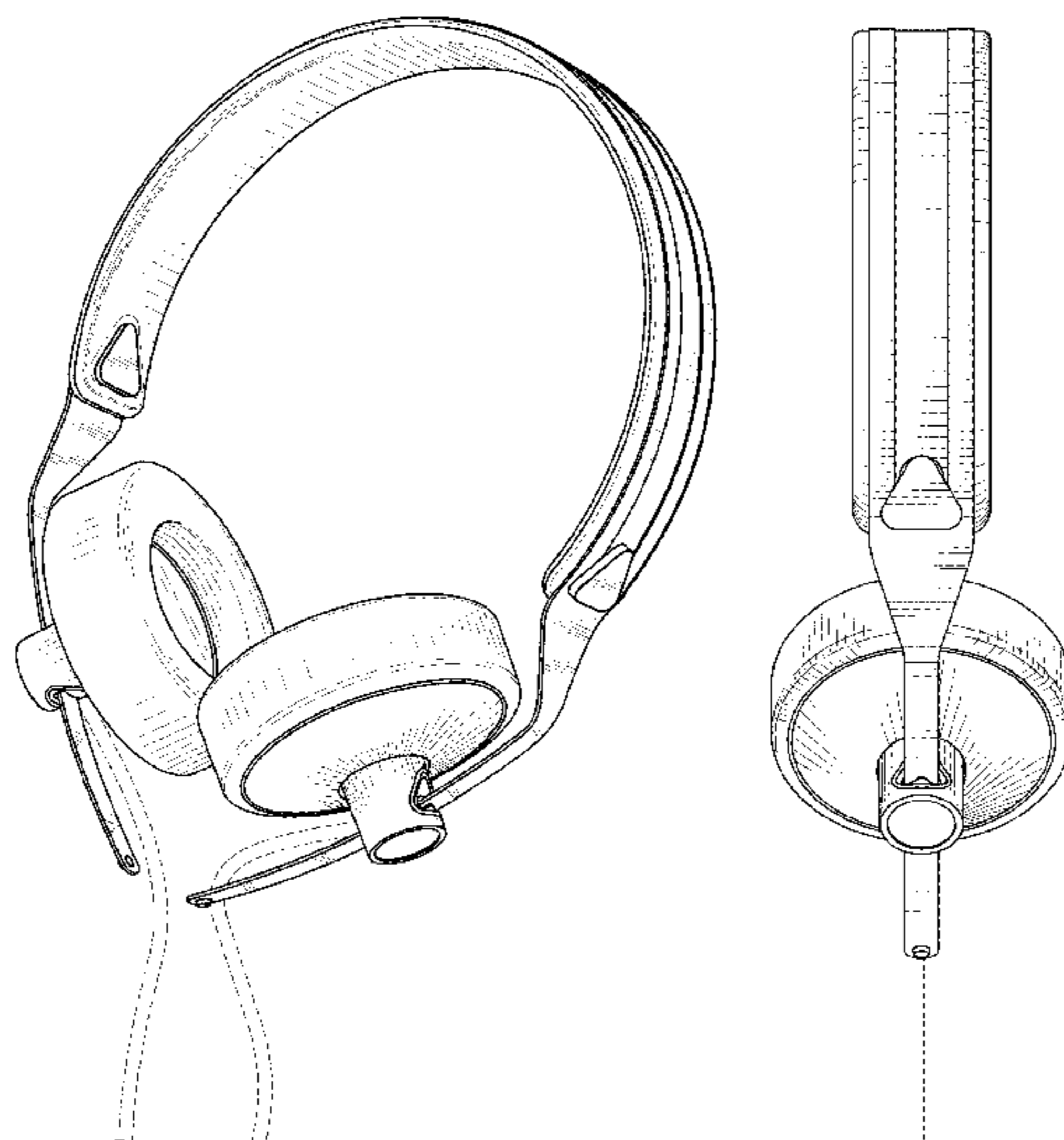
(57) **CLAIM**

The ornamental design for a headphone headset, as shown and described.

**DESCRIPTION**

FIG. 1 is a perspective view of a headphone headset showing my new design, the opposite front face of the interior headphone headset ear cup is a mirror image.  
FIG. 2 is a front view thereof.  
FIG. 3 is a back view thereof.  
FIG. 4 is a right side view thereof.  
FIG. 5 is a left side view thereof.  
FIG. 6 is a top view thereof; and,  
FIG. 7 is a bottom view thereof.  
The headphone headset may be used for listening to music and/or audio signals from a transmitting device.

**1 Claim, 7 Drawing Sheets**



(56)

**References Cited**

U.S. PATENT DOCUMENTS

4,597,469 A \* 7/1986 Nagashima ..... H04R 5/0335  
 181/129  
 4,615,050 A \* 10/1986 Lonstedt ..... A61F 11/14  
 181/129  
 D291,690 S \* 9/1987 Tabachnik ..... D14/205  
 D292,205 S \* 10/1987 Kikutani ..... 381/378  
 D313,092 S \* 12/1990 Nilsson ..... D14/205  
 D328,461 S \* 8/1992 Daido ..... D14/205  
 D342,071 S \* 12/1993 Wright ..... D14/223  
 6,353,938 B1 \* 3/2002 Young ..... A61F 11/14  
 181/129  
 6,392,196 B1 \* 5/2002 Lin ..... A61F 11/14  
 2/209  
 6,611,963 B2 \* 9/2003 Woo ..... A61F 11/14  
 2/209  
 D541,256 S \* 4/2007 Rausch ..... D14/205

D570,825 S \* 6/2008 Schultz ..... D14/205  
 D571,354 S \* 6/2008 Ng ..... D14/205  
 D620,474 S \* 7/2010 Komiyama ..... D14/205  
 D663,717 S \* 7/2012 Hutchieson ..... D14/206  
 8,295,529 B2 \* 10/2012 Petersen ..... H04R 1/083  
 381/371  
 D673,929 S \* 1/2013 Combs ..... D14/205  
 D684,559 S \* 6/2013 Groset ..... D14/205  
 D686,593 S \* 7/2013 Larsen ..... D14/205  
 D695,263 S \* 12/2013 Mogili ..... D14/205  
 D707,200 S \* 6/2014 Yang ..... H04R 1/1066  
 D14/205  
 8,755,555 B2 \* 6/2014 Dougherty ..... H04R 1/1066  
 381/370  
 D722,998 S \* 2/2015 Sancho ..... D14/205  
 D724,560 S \* 3/2015 Galler ..... D14/205  
 D724,561 S \* 3/2015 Ko ..... D14/205  
 D733,090 S \* 6/2015 Petersen ..... D14/205  
 D763,226 S \* 8/2016 Petersen ..... D14/205

\* cited by examiner

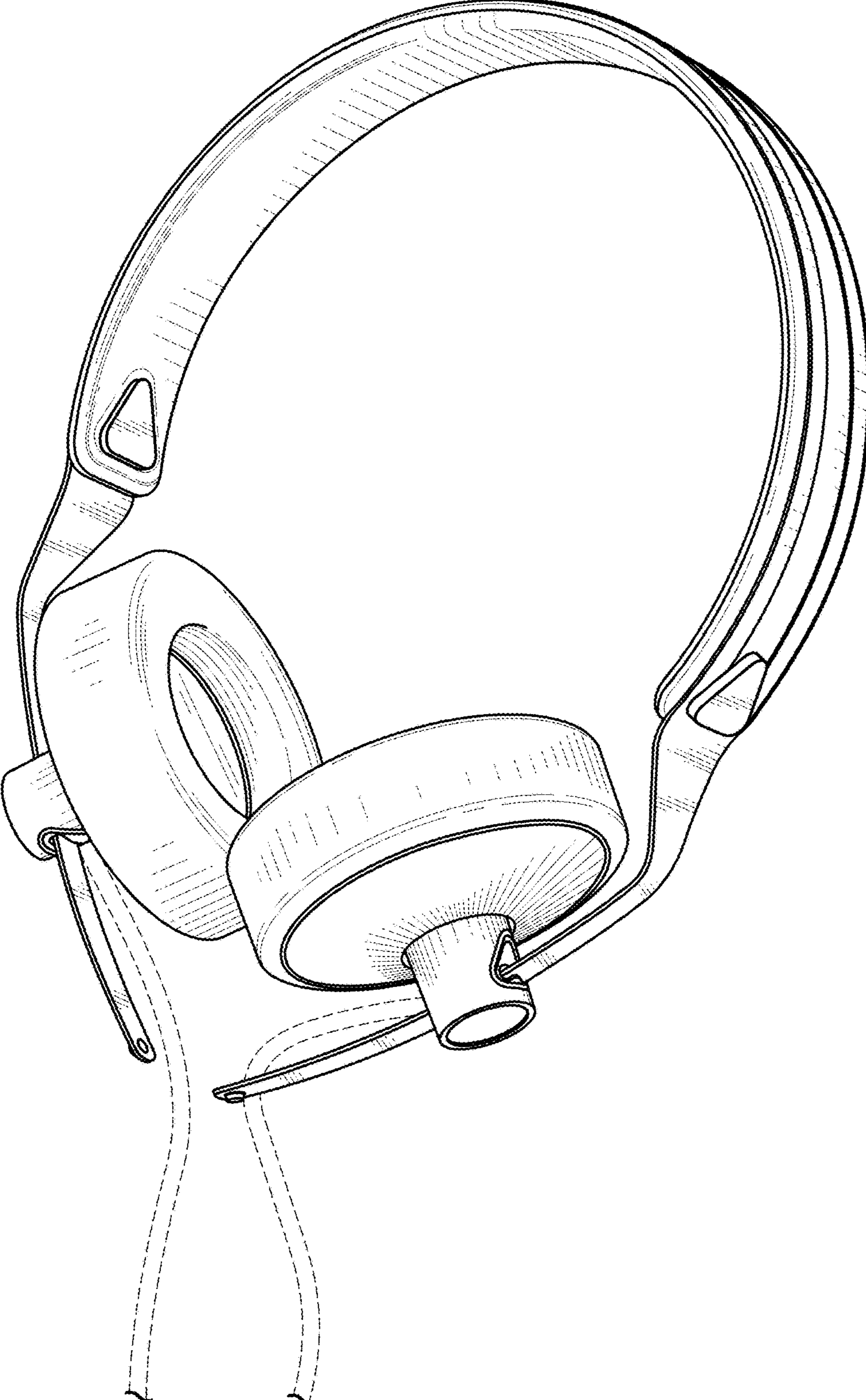


FIG. 1

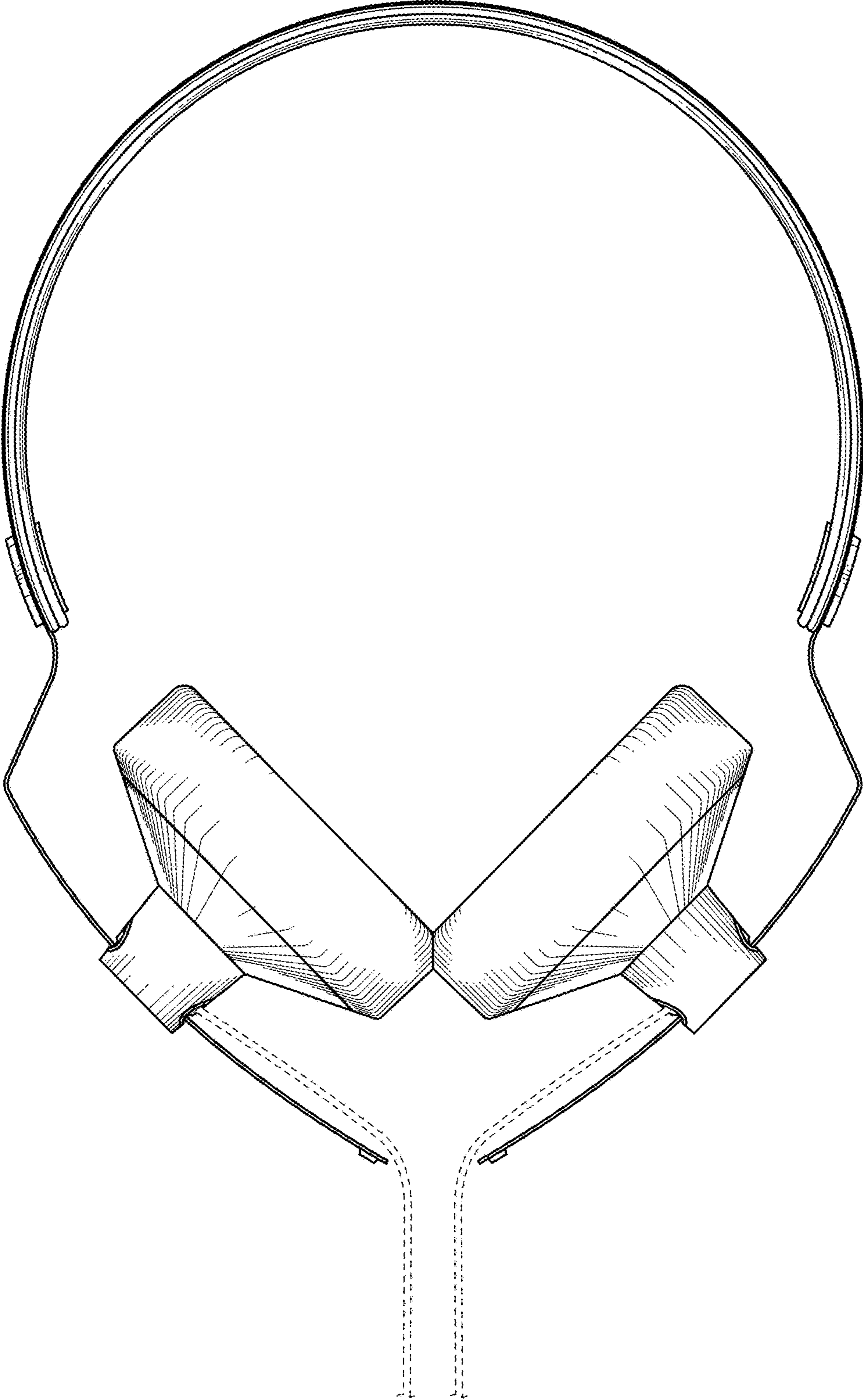


FIG. 2

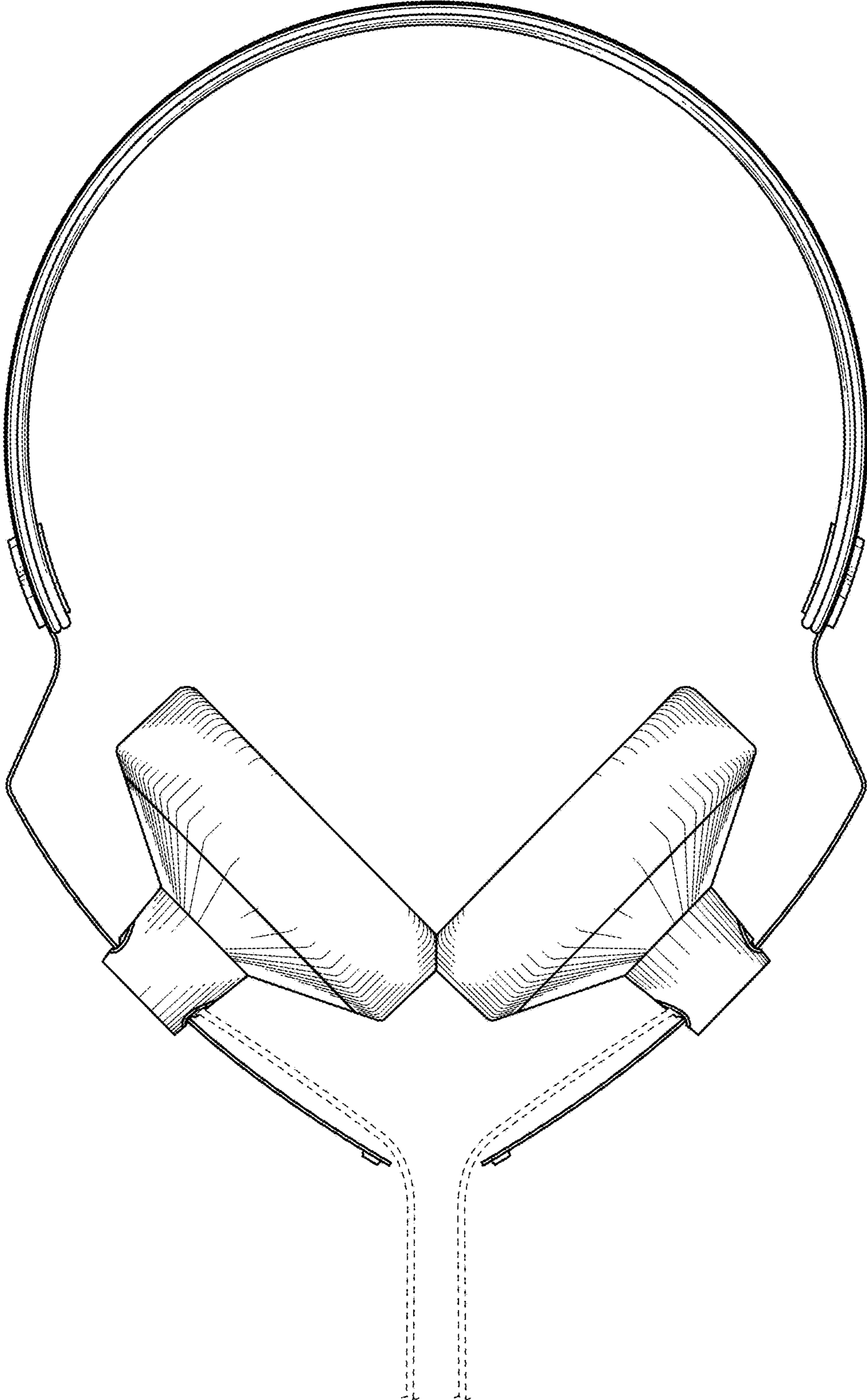


FIG. 3

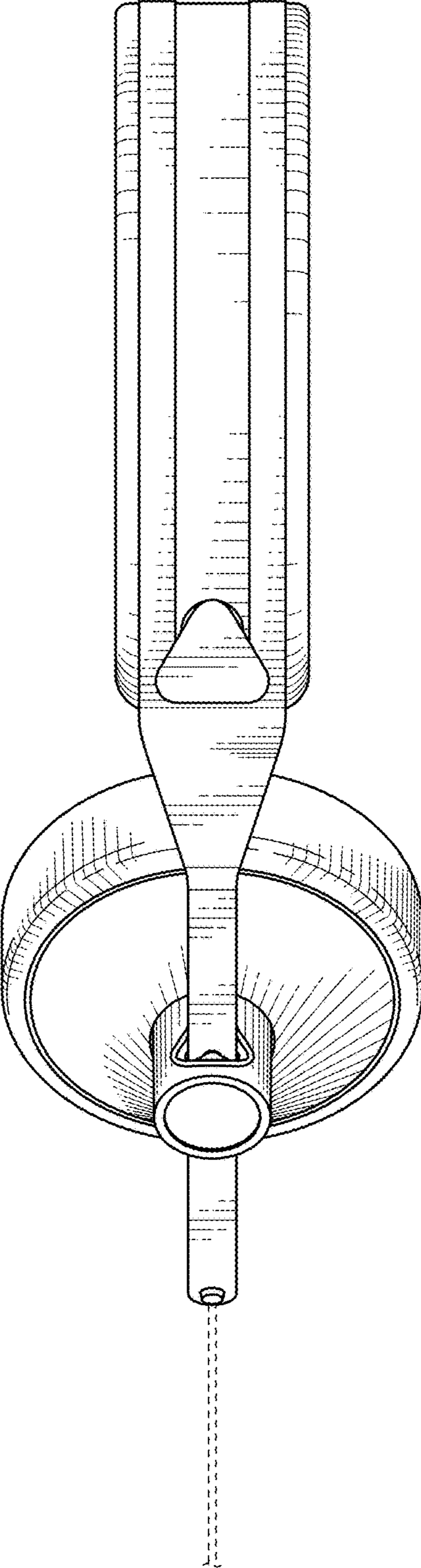


FIG. 4

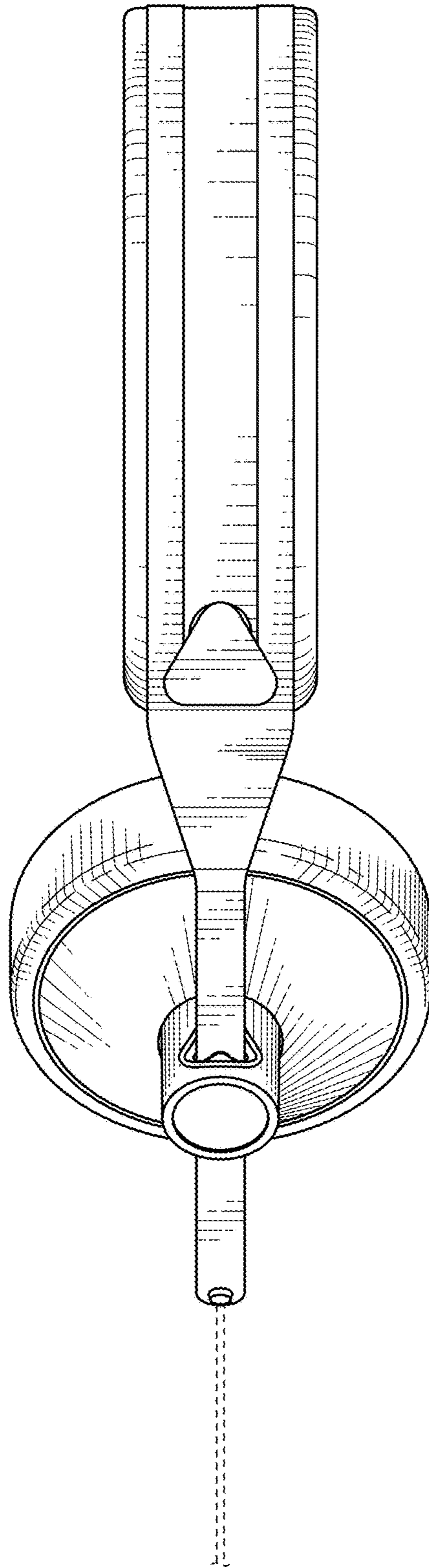


FIG. 5

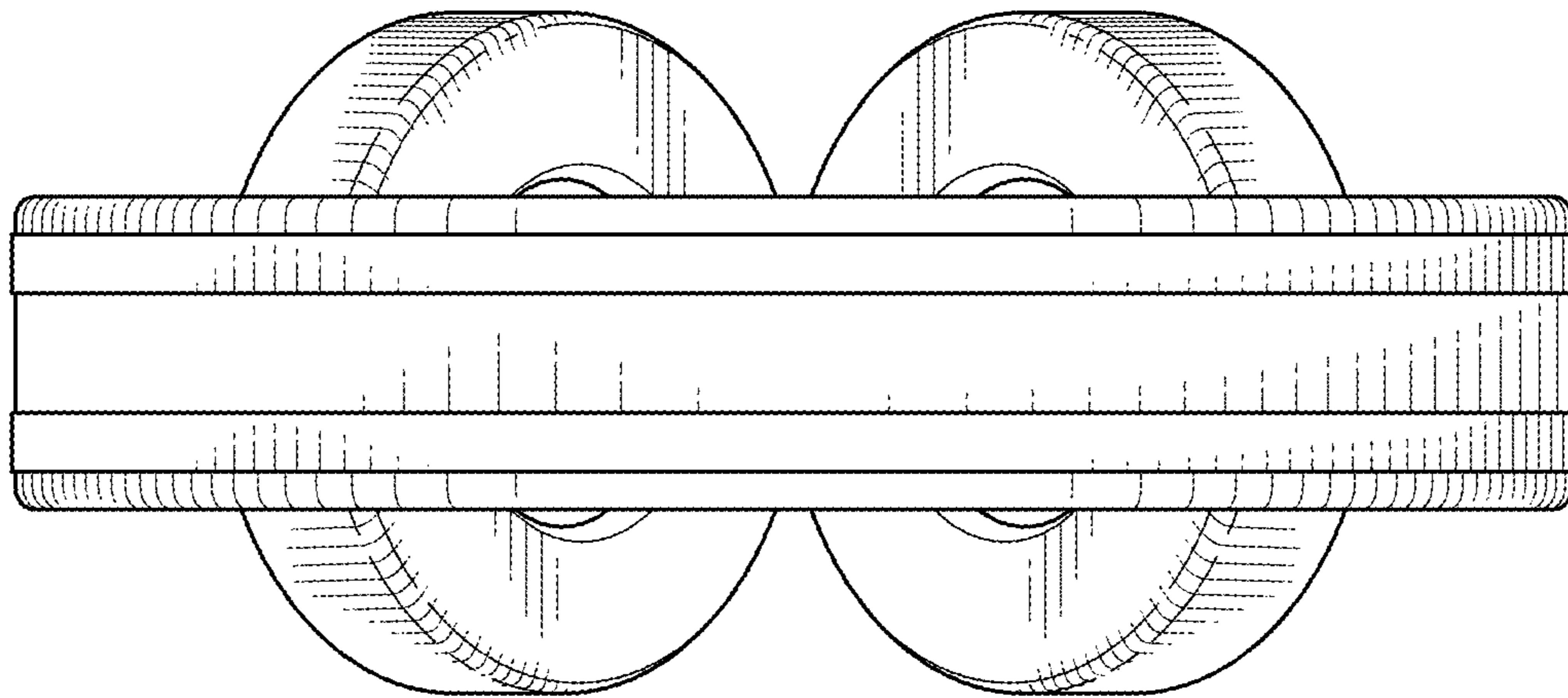


FIG. 6



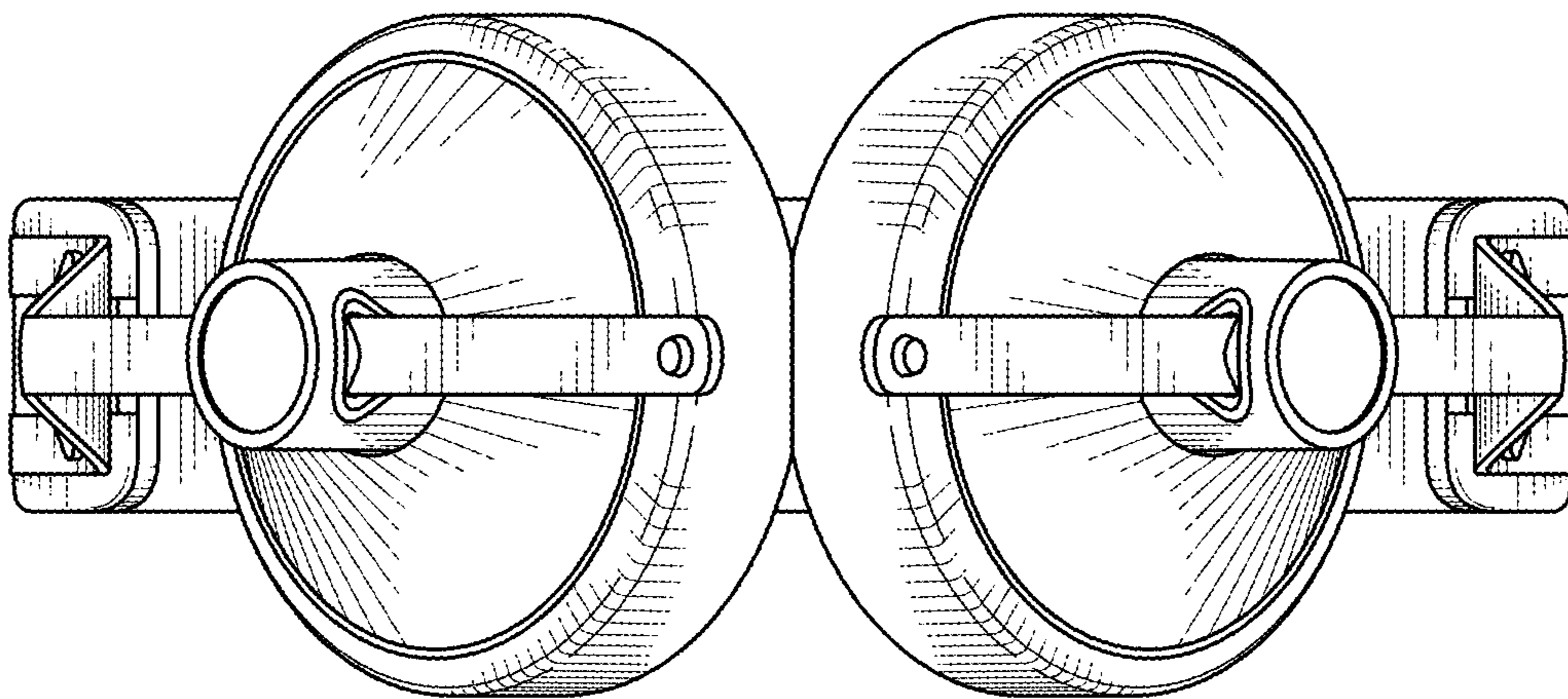


FIG. 7