



US00D811361S

(12) **United States Design Patent**  
**Peng et al.**

(10) **Patent No.:** **US D811,361 S**

(45) **Date of Patent:** **\*\* Feb. 27, 2018**

- (54) **CONFERENCE TELEPHONE DEVICE**
- (71) Applicants: **HONGFUJIN PRECISION ELECTRONICS (CHONGQING) CO. LTD.**, Chongqing (CN); **HON HAI PRECISION INDUSTRY CO., LTD.**, New Taipei (TW)
- (72) Inventors: **Ye Peng**, Shenzhen (CN); **Yen-Chun Lin**, New Taipei (TW); **Mei-Hua Liu**, Shenzhen (CN)
- (73) Assignees: **HONGFUJIN PRECISION ELECTRONICS (CHONGQING) CO., LTD.**, Chongqing (CN); **HON HAI PRECISION INDUSTRY CO., LTD.**, New Taipei (TW)

- D327,479 S \* 6/1992 Britz ..... D14/225
- D346,598 S \* 5/1994 McCay ..... D14/137
- D349,499 S \* 8/1994 Collins ..... D14/216
- D367,274 S \* 2/1996 Gobindram ..... D14/143
- D368,721 S \* 4/1996 Howell ..... D14/218
- D371,086 S \* 6/1996 Collins ..... D10/106.1
- D391,943 S \* 3/1998 Han ..... D14/356
- D391,944 S \* 3/1998 Han ..... D14/356
- D434,747 S \* 12/2000 Bird ..... D14/150
- D444,777 S \* 7/2001 Bird ..... D14/150
- D457,150 S \* 5/2002 Chen ..... D14/150
- D474,169 S \* 5/2003 Fletcher ..... D14/159
- D481,370 S \* 10/2003 Popowski ..... D14/150
- D495,676 S \* 9/2004 Slevin ..... D14/150
- D504,882 S \* 5/2005 Bhavnani ..... D14/168
- D510,571 S \* 10/2005 Cutler ..... D14/125
- D512,060 S \* 11/2005 Wang ..... D14/480.1
- D512,400 S \* 12/2005 Zeitman ..... D14/509
- D512,401 S \* 12/2005 Zeitman ..... D14/509

(Continued)

(\*\*) Term: **15 Years**

(21) Appl. No.: **29/585,905**

(22) Filed: **Nov. 30, 2016**

(51) **LOC (11) Cl.** ..... **14-03**

(52) **U.S. Cl.**  
USPC ..... **D14/149**

(58) **Field of Classification Search**  
USPC ..... D14/140, 140.1, 141.1, 142, 144, 147, D14/149, 150, 155, 168, 172, 204, 209.1, D14/212, 213, 215, 216, 248, 249, 299, D14/496, 226, 356, 358, 432, 454, 192; D13/184; D10/104.1, 106.1, 106.3, 106.5  
CPC ..... H04M 1/00; H04M 1/04; H04R 1/345; H04R 1/403; H04R 1/40  
See application file for complete search history.

(56) **References Cited**

**U.S. PATENT DOCUMENTS**

- D286,774 S \* 11/1986 Geis ..... D14/142
- D292,283 S \* 10/1987 Matsuda ..... D14/212

*Primary Examiner* — Janice Hallmark

*Assistant Examiner* — Marie D. Fast Horse

(74) *Attorney, Agent, or Firm* — ScienBiziP, P.C.

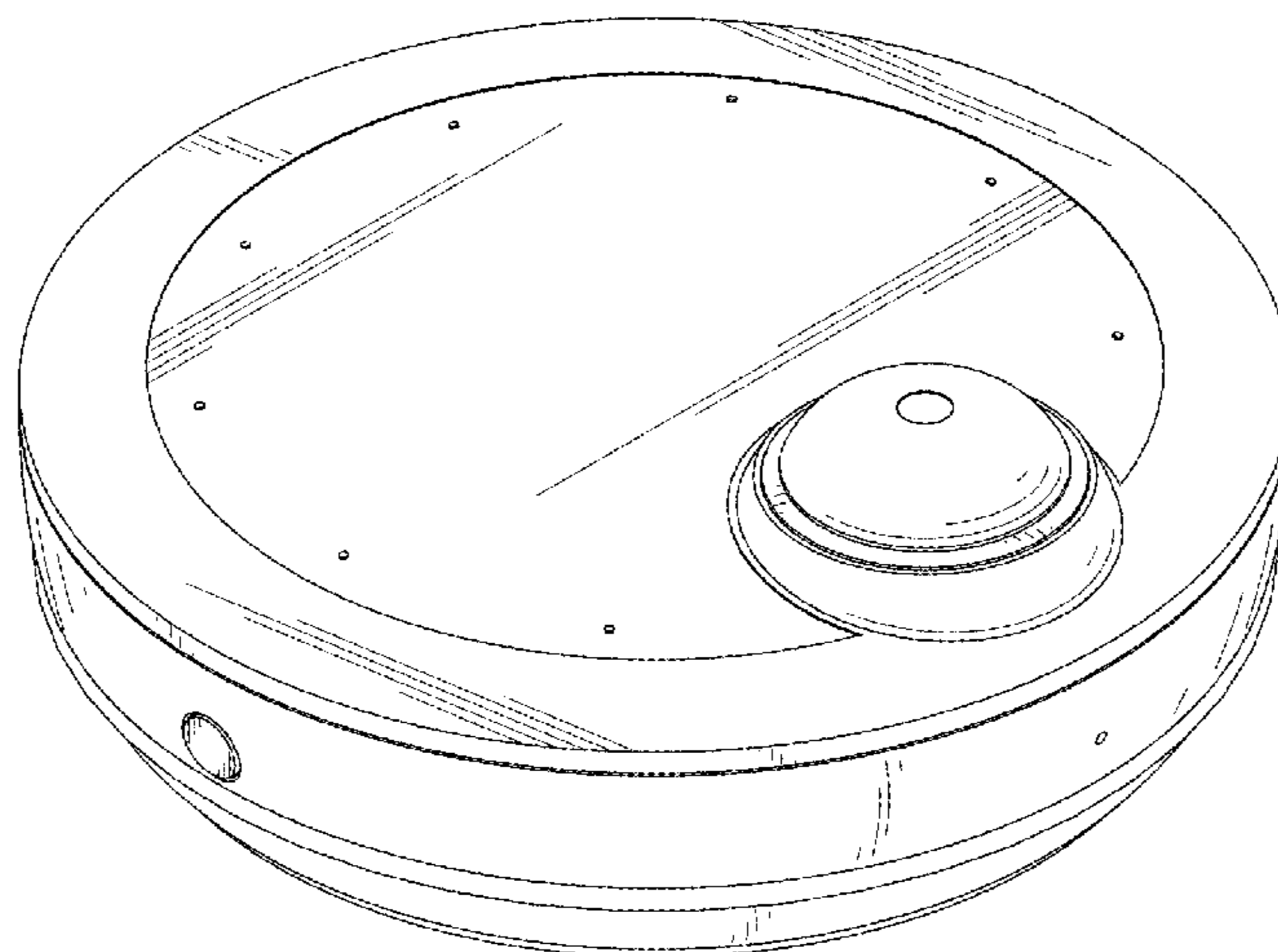
(57) **CLAIM**

The ornamental design for a conference telephone device, as shown and described.

**DESCRIPTION**

FIG. 1 is a first perspective view of a conference telephone device;  
 FIG. 2 is a second perspective view of a conference telephone device;  
 FIG. 3 is a front elevational view of the device of FIG. 1;  
 FIG. 4 is a rear elevational view of the device of FIG. 1;  
 FIG. 5 is a left side elevational view of the device of FIG. 1;  
 FIG. 6 is a right side elevational view of the device of FIG. 1;  
 FIG. 7 is a top plan view of the device of FIG. 1; and,  
 FIG. 8 is a bottom plan view of the device of FIG. 1.

**1 Claim, 8 Drawing Sheets**



(56)

**References Cited**

U.S. PATENT DOCUMENTS

D513,506	S *	1/2006	Zeitman .....	D14/509
D525,231	S *	7/2006	McMillen .....	D14/149
D536,327	S *	2/2007	Lukic .....	D14/150
D557,248	S *	12/2007	Wada .....	D14/150
D560,209	S *	1/2008	Kim .....	D14/215
D568,304	S *	5/2008	Park .....	D14/240
D590,101	S *	4/2009	Hsu .....	D14/216
D591,269	S *	4/2009	Kim .....	D14/216
D598,003	S *	8/2009	Park .....	D14/149
D598,898	S *	8/2009	Davidson .....	D14/215
D626,963	S *	11/2010	Kim .....	D14/420
D656,130	S *	3/2012	Bailey .....	D14/227
D677,646	S *	3/2013	Kellar .....	D14/149
D682,805	S *	5/2013	Rath .....	D14/149
D688,225	S *	8/2013	Somoza .....	D14/142
D711,345	S *	8/2014	Liu .....	D14/140
D714,248	S *	9/2014	Chang .....	D14/140
D728,507	S *	5/2015	Brandis .....	D14/149
D751,538	S *	3/2016	Koehler .....	D14/240
D752,014	S *	3/2016	Bolmstrand .....	D14/204
D766,877	S *	9/2016	Haase .....	D14/172
D771,600	S *	11/2016	Hinokio .....	D14/228
D780,150	S *	2/2017	Border .....	D14/150
D784,963	S *	4/2017	Saule .....	D14/228
D788,742	S *	6/2017	Vellozo Luz .....	D14/217
2006/0256991	A1 *	11/2006	Oxford .....	H04R 1/403 381/361
2007/0263845	A1 *	11/2007	Hodges .....	H04R 1/345 379/388.02

\* cited by examiner

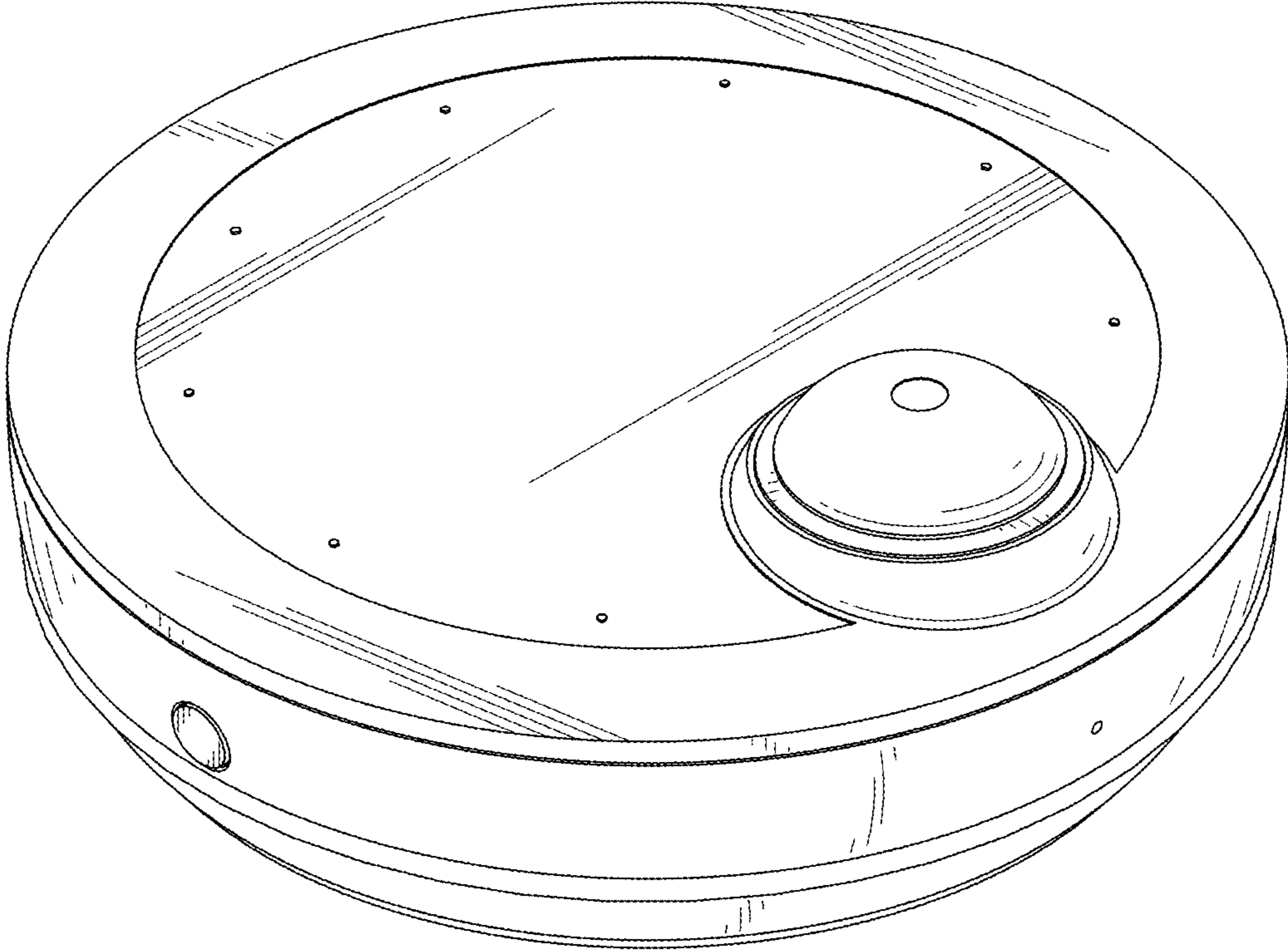


FIG. 1

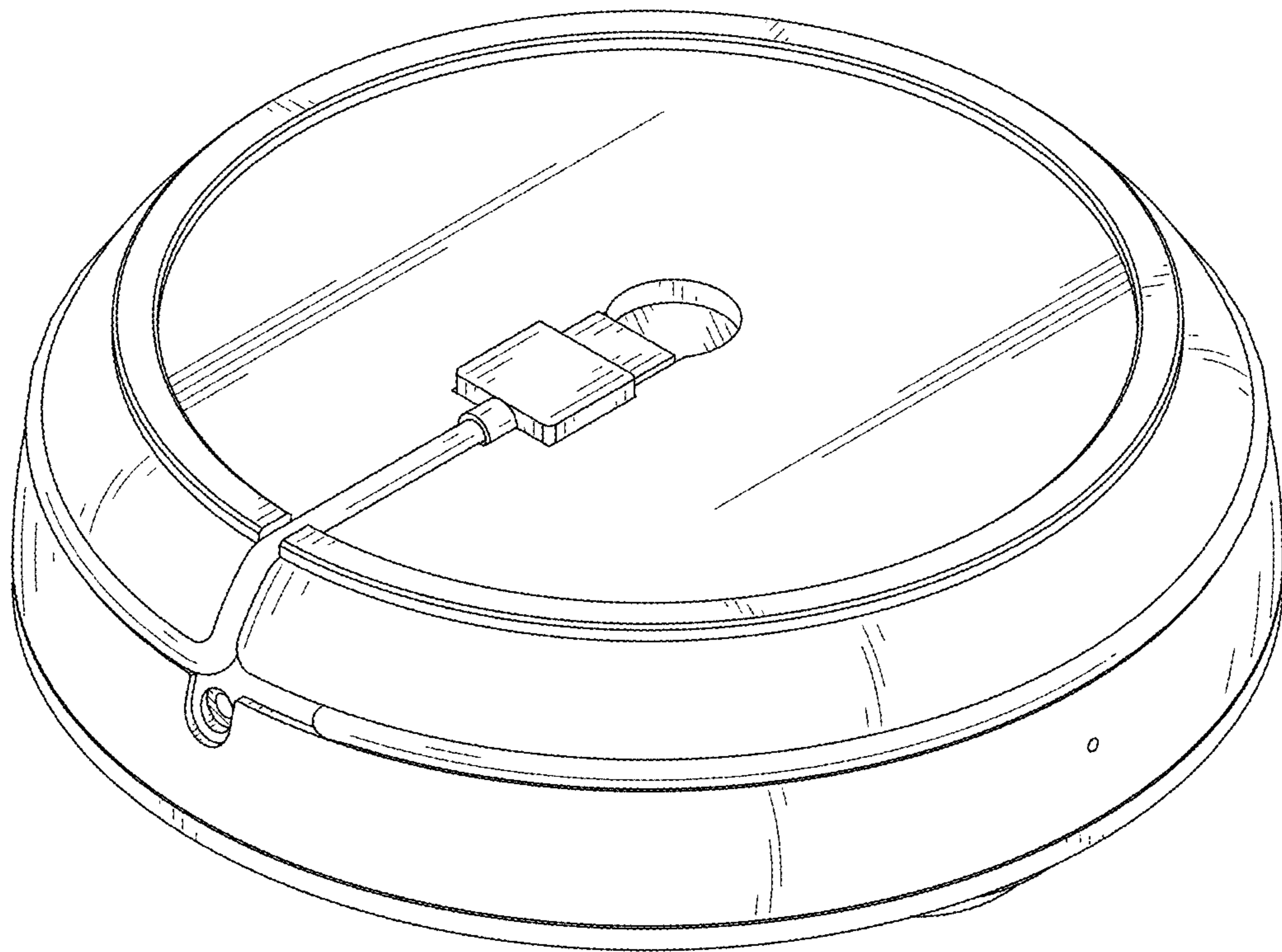


FIG. 2

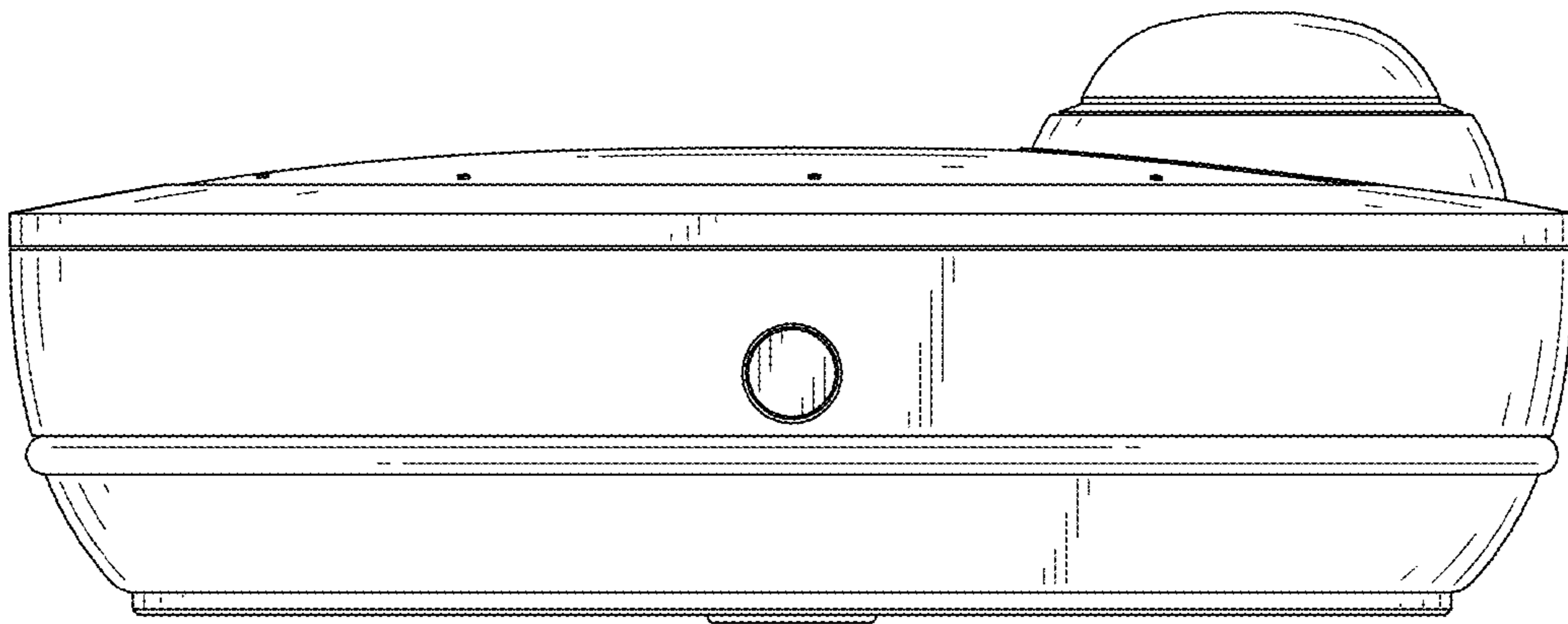


FIG. 3



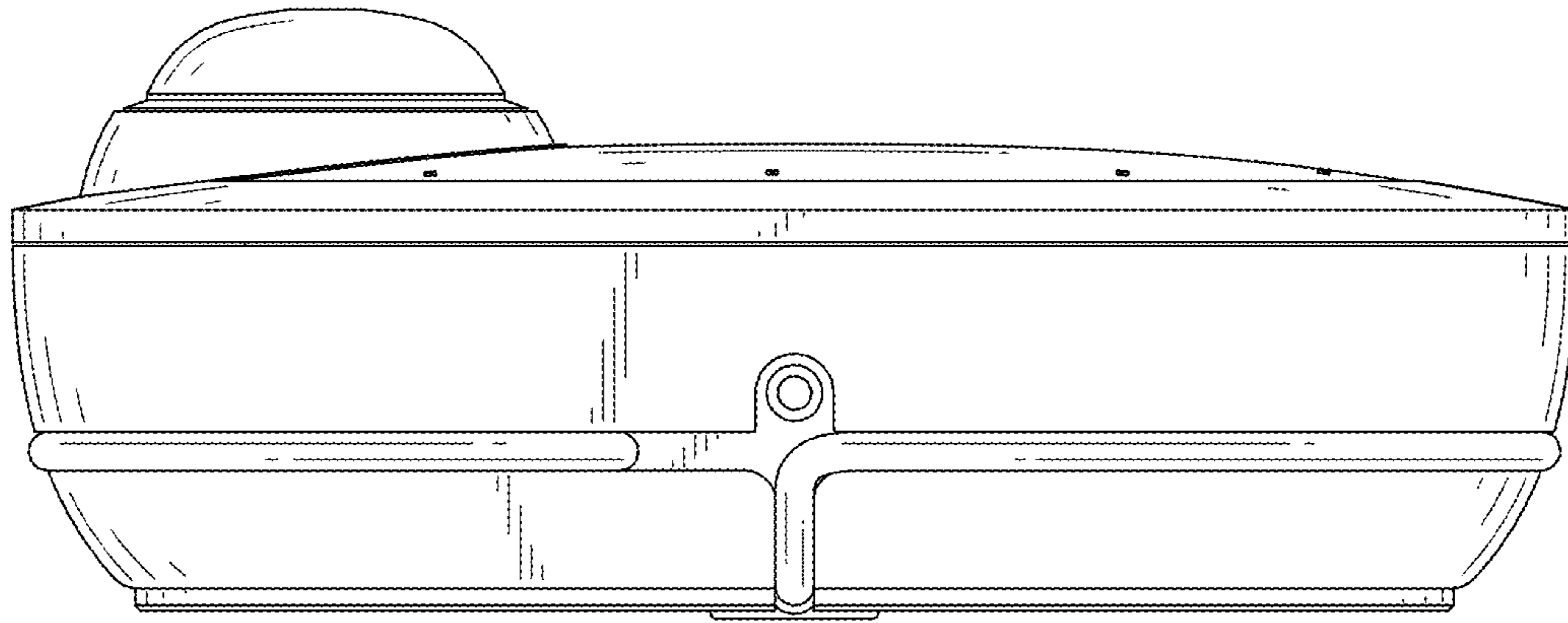


FIG. 4

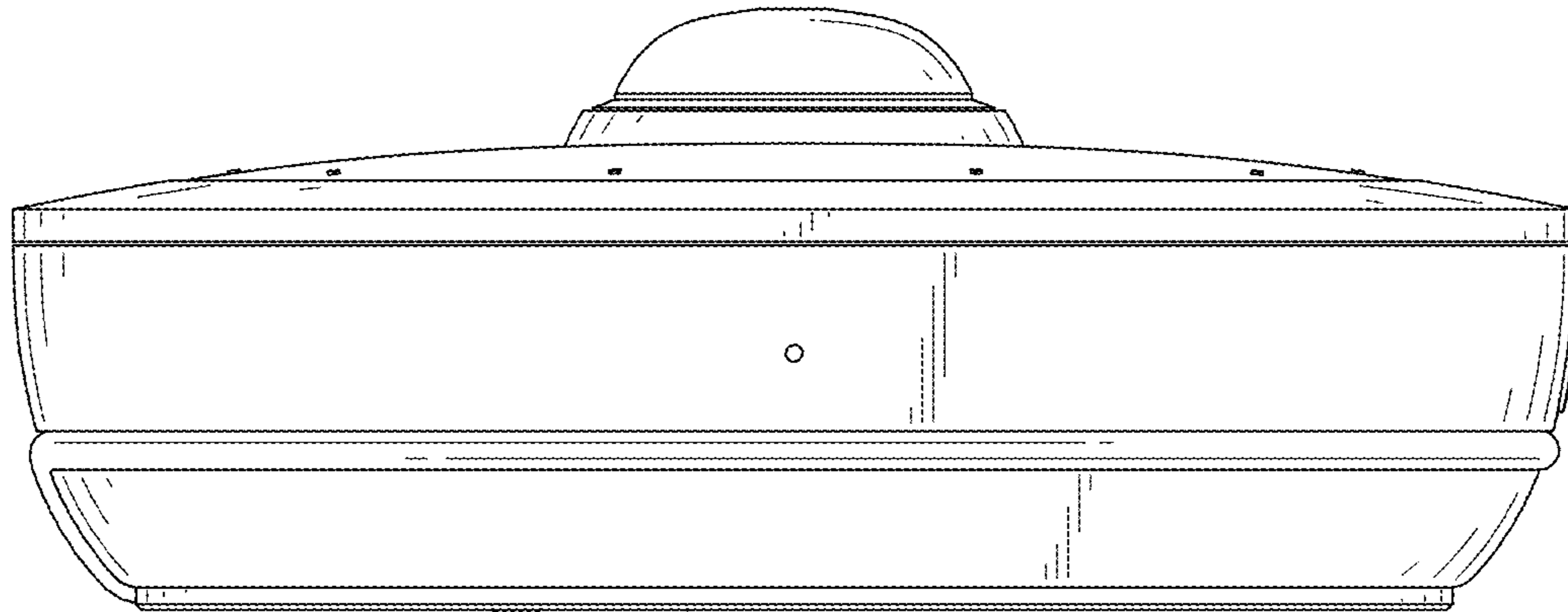


FIG. 5

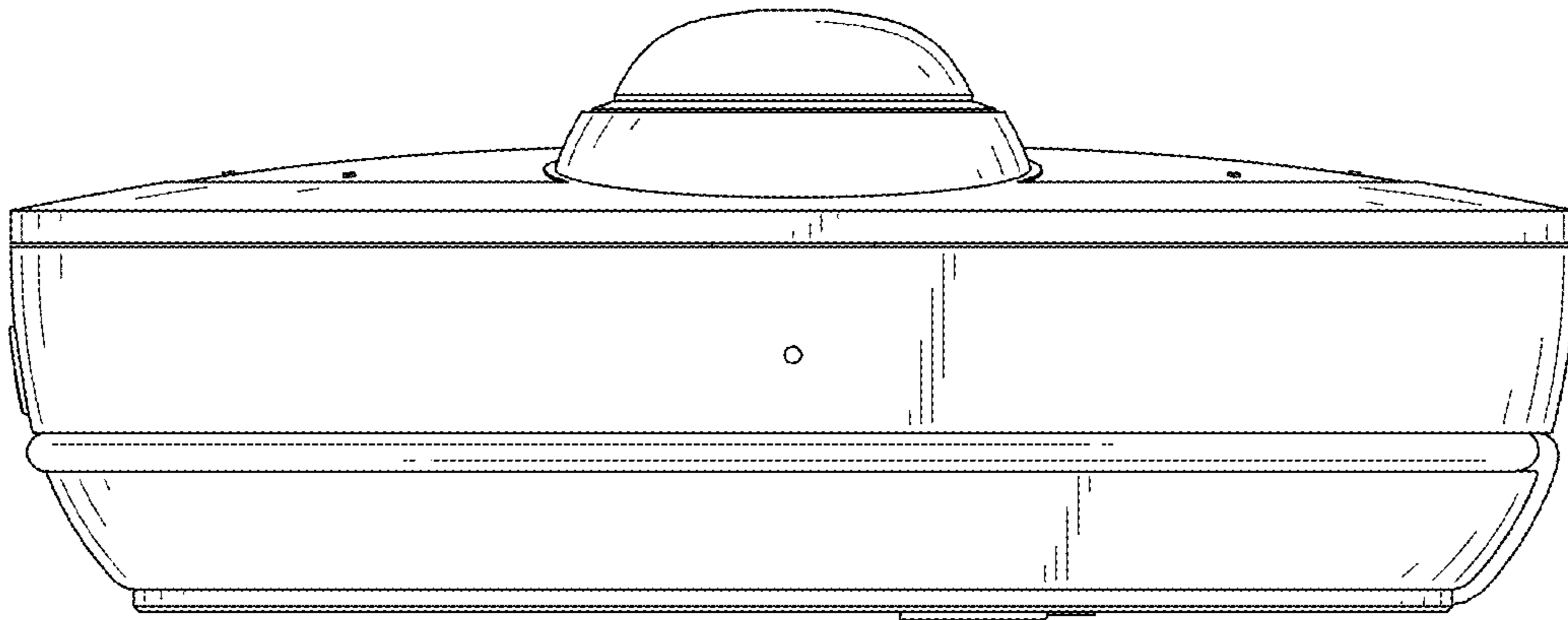


FIG. 6



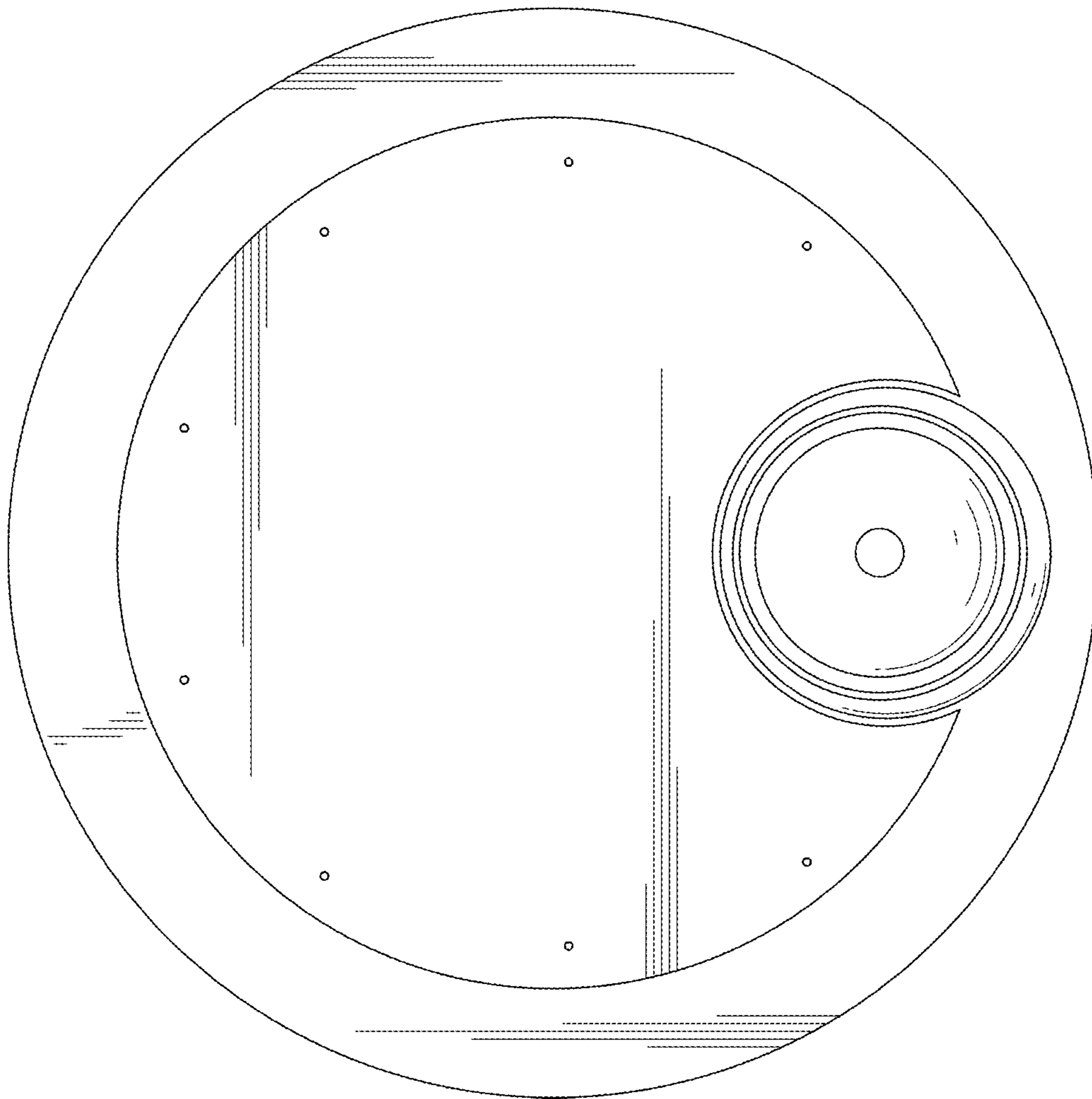


FIG. 7

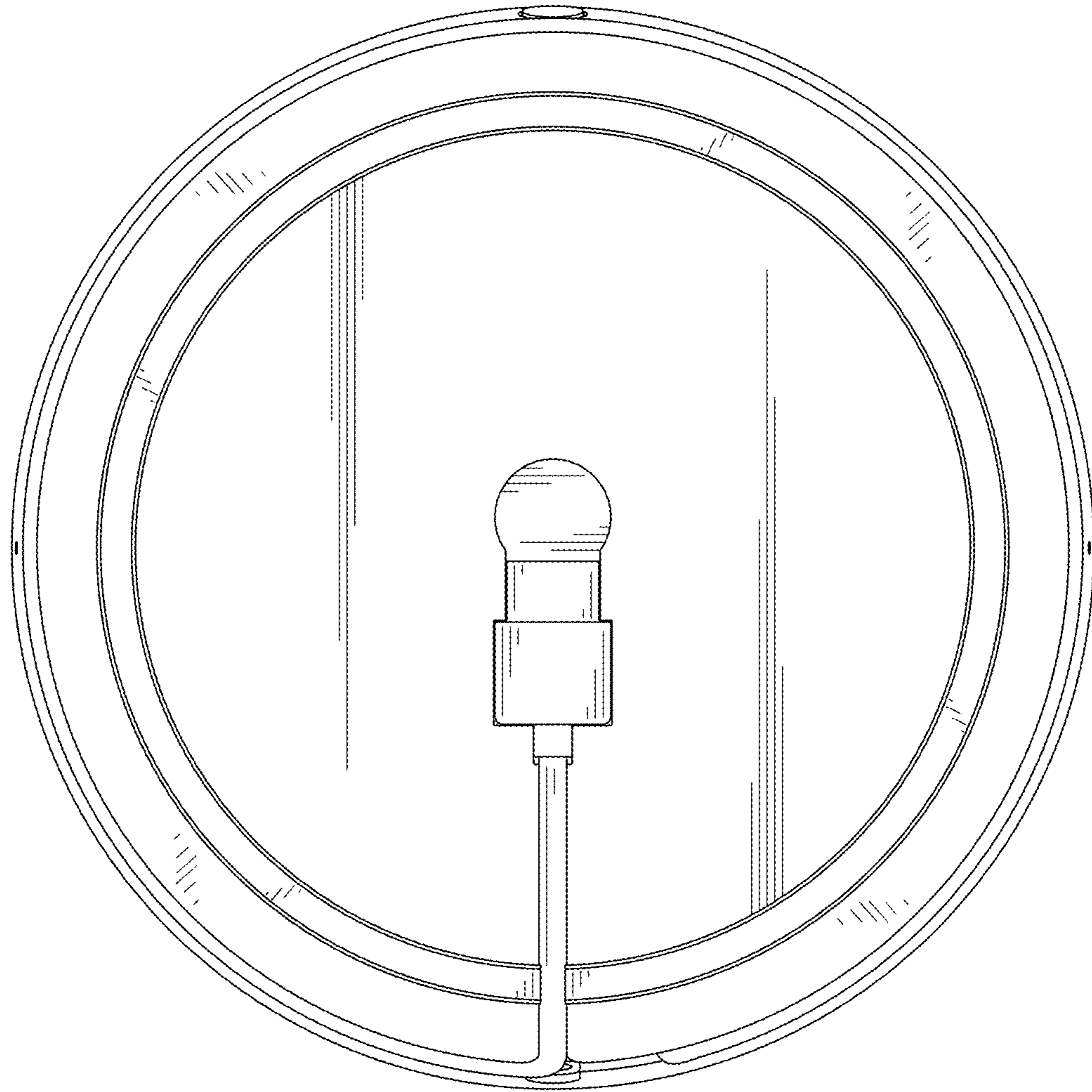


FIG. 8

UNITED STATES PATENT AND TRADEMARK OFFICE  
**CERTIFICATE OF CORRECTION**

PATENT NO. : D811,361 S  
APPLICATION NO. : 29/585905  
DATED : February 27, 2018  
INVENTOR(S) : Ye Peng et al.

Page 1 of 1

It is certified that error appears in the above-identified patent and that said Letters Patent is hereby corrected as shown below:

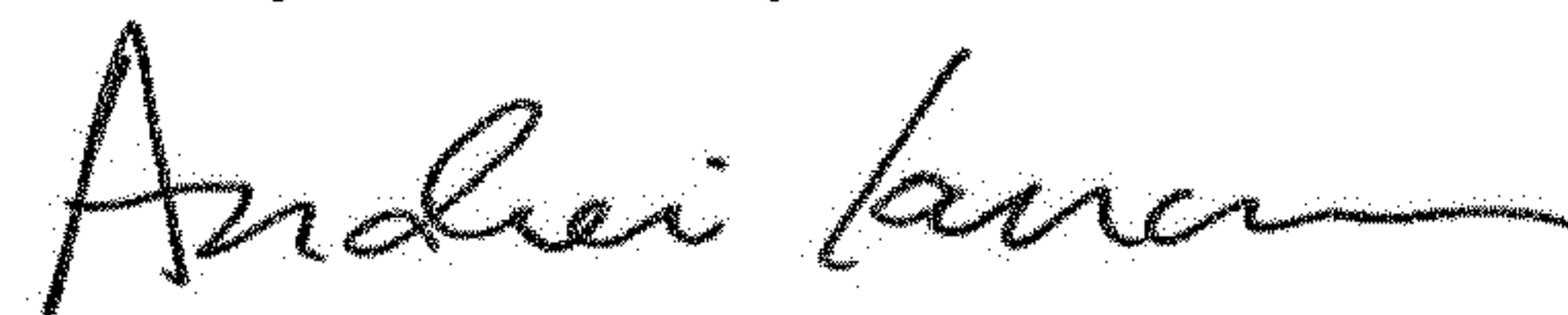
On the Title Page

Below Item (22) insert:

--(30) Foreign Application Priority Data

Oct. 17, 2016 (CN) .....201630506419.4--

Signed and Sealed this  
Twenty-third Day of October, 2018



Andrei Iancu  
*Director of the United States Patent and Trademark Office*