



US00D811357S

(12) **United States Design Patent**  
**Won et al.**

(10) **Patent No.:** **US D811,357 S**

(45) **Date of Patent:** **\*\* \*Feb. 27, 2018**

(54) **TELEVISION RECEIVER**

5/0004; H05K 5/0017; H05K 5/02; H05K  
5/0217; H04N 13/0459

(71) Applicant: **LG ELECTRONICS INC.**, Seoul  
(KR)

See application file for complete search history.

(72) Inventors: **Hyojin Won**, Seoul (KR); **Yongho Lee**,  
Seoul (KR)

(56) **References Cited**

U.S. PATENT DOCUMENTS

(73) Assignee: **LG Electronics Inc.**, Seoul (KR)

(\*) Notice: This patent is subject to a terminal dis-  
claimer.

D697,882 S *	1/2014	Seong	.....	D14/126
D699,280 S *	2/2014	Lim	.....	D16/241
D703,201 S *	4/2014	Tian	.....	D14/315
D709,842 S *	7/2014	Lee	.....	D14/126
D709,844 S *	7/2014	Kim	.....	D14/126
D710,842 S *	8/2014	Ho	.....	D14/341
D714,238 S *	9/2014	Kim	.....	D14/126
D726,666 S *	4/2015	Hwangbo	.....	D14/126
D729,184 S *	5/2015	Huang	.....	D14/126
D732,490 S *	6/2015	Kim	.....	D14/126
D737,235 S *	8/2015	Kim	.....	D14/126

(Continued)

(\*\*) Term: **15 Years**

(21) Appl. No.: **35/501,345**

(22) Filed: **Feb. 3, 2016**

*Primary Examiner* — Mary Ann Calabrese

(80) **Hague Agreement Data**

Int. Filing Date: **Feb. 3, 2016**

Int. Reg. No.: **DM/090817**

Int. Reg. Date: **Feb. 3, 2016**

Int. Reg. Pub. Date: **Aug. 5, 2016**

*Assistant Examiner* — Jennifer L Rempfer

(74) *Attorney, Agent, or Firm* — Birch, Stewart, Kolasch  
& Birch, LLP

(30) **Foreign Application Priority Data**

Aug. 5, 2015 (KR) ..... 30-2015-0039672

(51) **LOC (11) Cl.** ..... **14-03**

(52) **U.S. Cl.**  
USPC ..... **D14/126**

(58) **Field of Classification Search**

USPC ..... D14/125–134, 159, 239, 341, 342, 346,  
D14/347, 336, 371, 374–377, 420, 426,  
D14/440, 448, 450, 496, 138 R, 138 AA,  
D14/138 G, 147, 203.1–203.7, 247, 388,  
D14/389; D6/300–310; D16/241;  
D20/10, 15, 17, 19, 39; D21/329, 333,  
D21/331, 332; D10/1, 30, 40

CPC .. G06F 1/1613; G06F 3/04883; G06F 1/1647;  
G06F 3/04845; G06F 1/1601; G06F  
1/1643; A63H 33/3016; H04M 1/0279;  
H04M 1/0281; H04M 1/0283; H05K

(57) **CLAIM**

The ornamental design for a television receiver, as shown  
and described.

**DESCRIPTION**

1. Television receiver

1.1 : Perspective

1.2 : Front

1.3 : Back

1.4 : Left

1.5 : Right

1.6 : Top

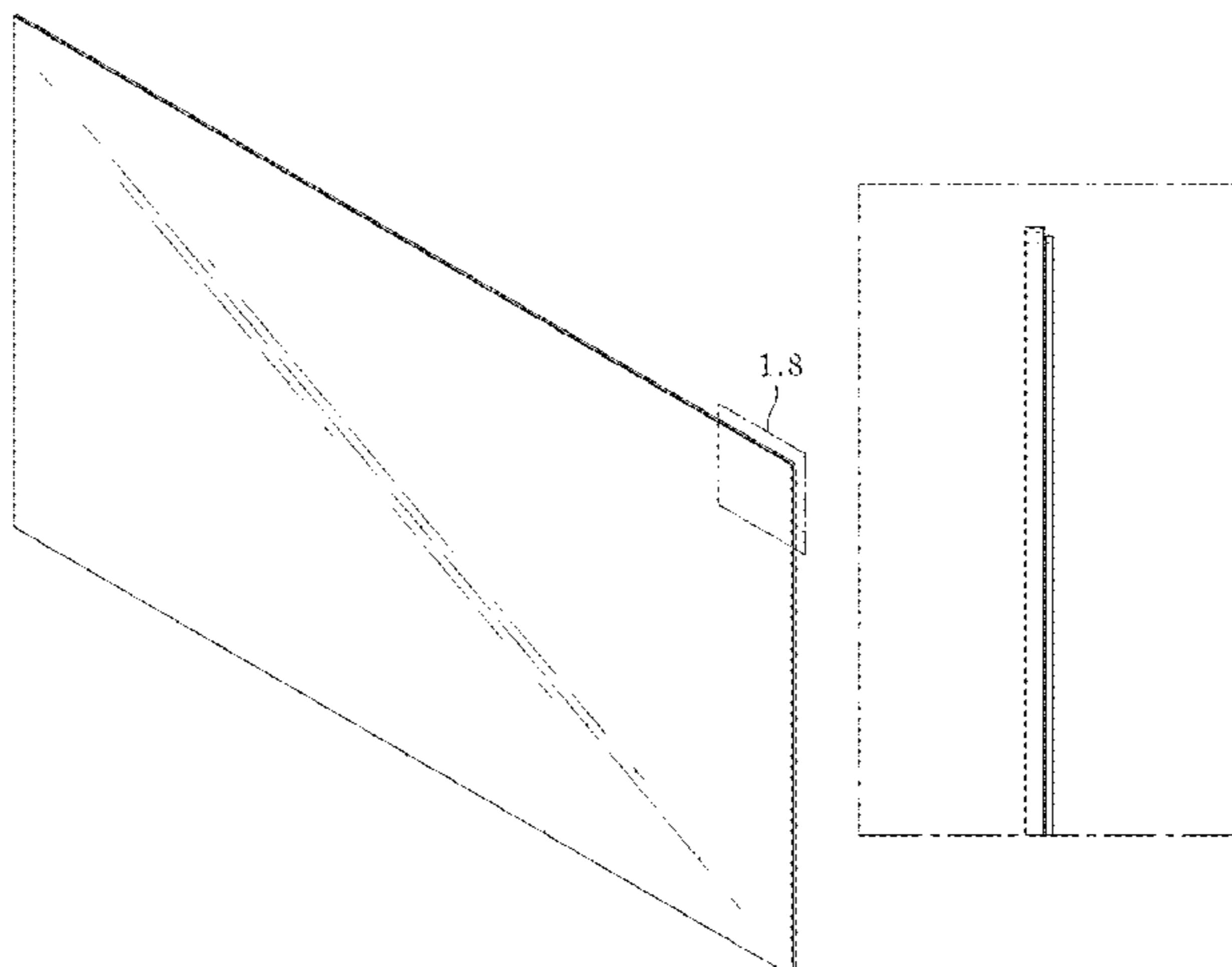
1.7 : Bottom

1.8 : Enlarged

1.9 : Enlarged

The dash-dot broken line portions of **1.1**, **1.4**, **1.8** and **1.9** are  
included to show partially enlarged views only and form no  
part of the claimed design.

**1 Claim, 7 Drawing Sheets**



(56)

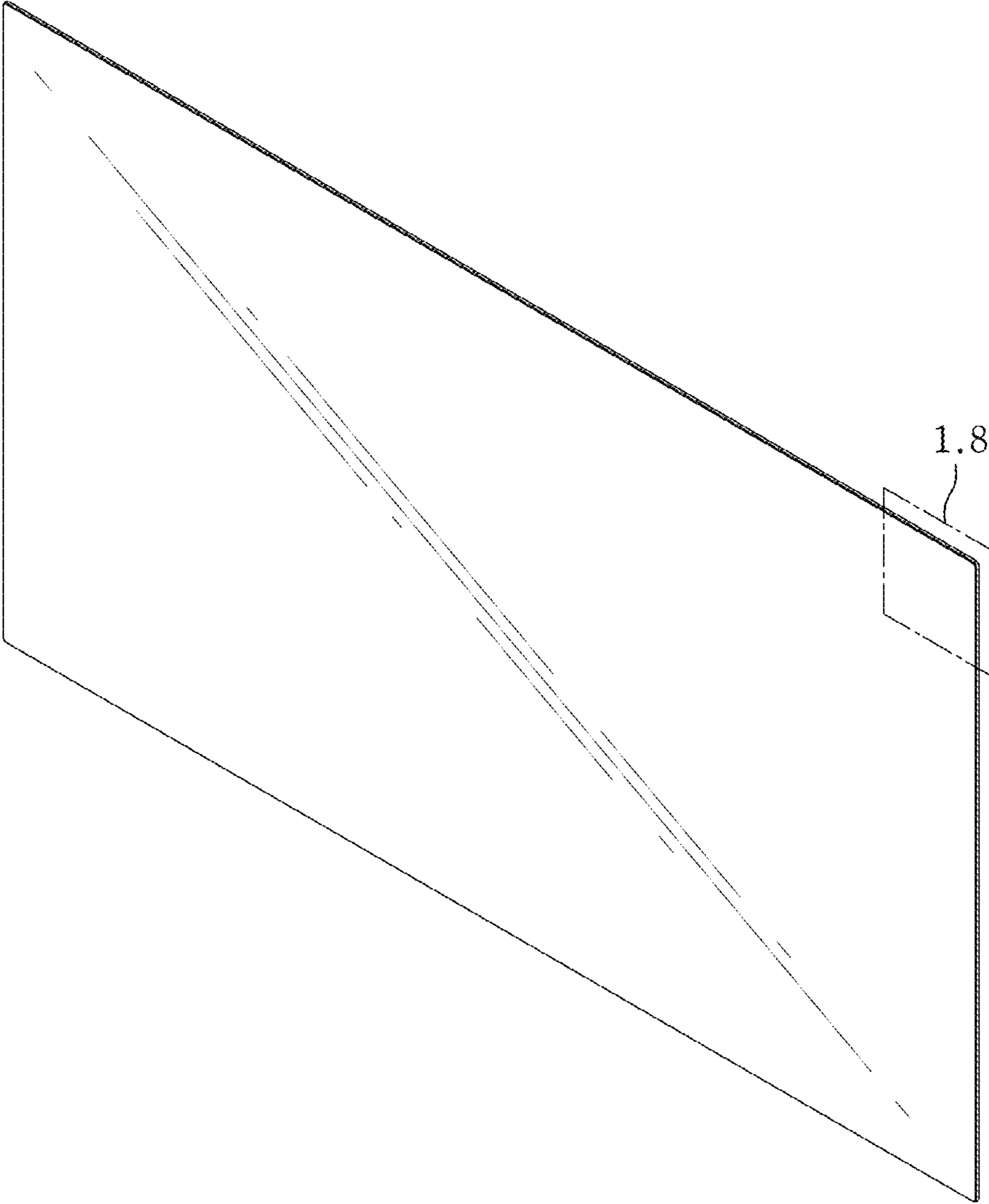
**References Cited**

U.S. PATENT DOCUMENTS

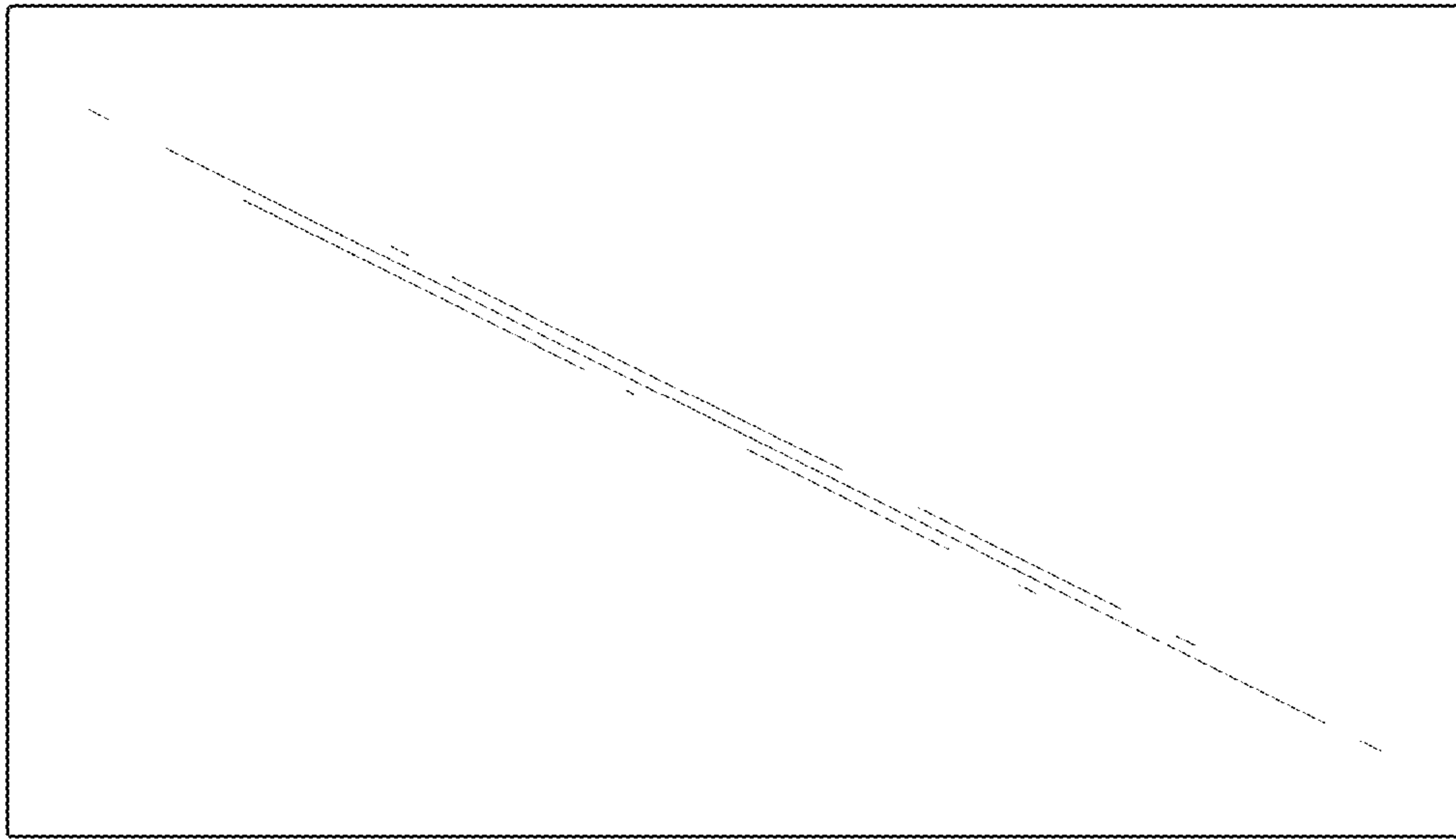
D737,790	S	*	9/2015	Cha	.....	D14/126
D738,336	S	*	9/2015	Hwangbo	.....	D14/126
D741,828	S	*	10/2015	Shin	.....	D14/126
D741,854	S	*	10/2015	Daniel	.....	D14/341
D742,343	S	*	11/2015	Moon	.....	D14/126
D742,344	S	*	11/2015	Kim	.....	D14/126
D743,360	S	*	11/2015	Kim	.....	D14/126
D744,443	S	*	12/2015	Kim	.....	D14/126
D746,243	S	*	12/2015	Gao	.....	D14/126
D749,532	S	*	2/2016	McManigal	.....	D14/126
D753,088	S	*	4/2016	Wu	.....	D14/138 G
D754,086	S	*	4/2016	Valeur	.....	D14/126
D758,982	S	*	6/2016	Moon	.....	D14/126
D763,252	S	*	8/2016	Lee	.....	D14/341
D765,597	S	*	9/2016	Kim	.....	D13/108
D769,240	S	*	10/2016	Yu	.....	D14/336

\* cited by examiner

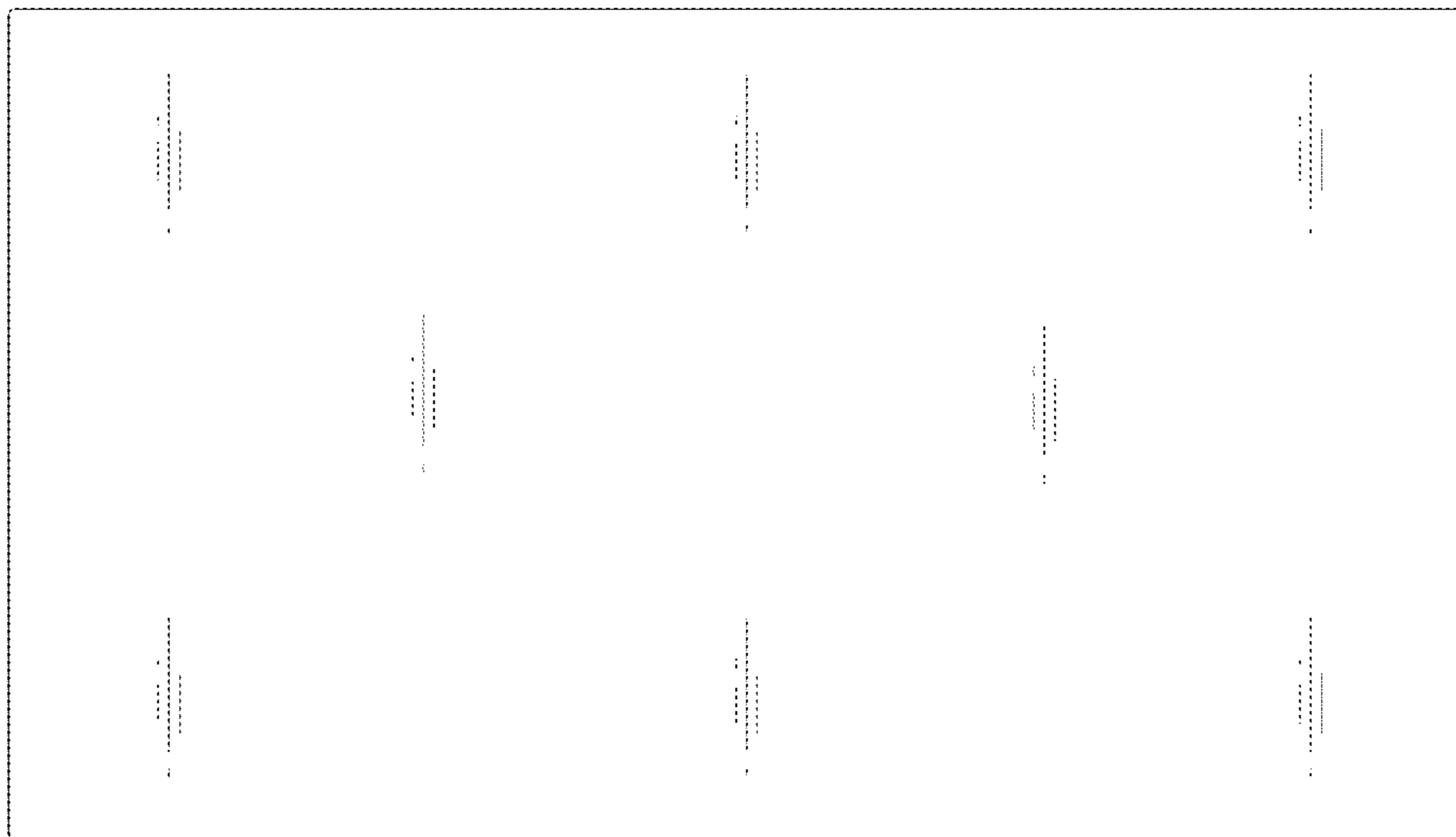
1.1



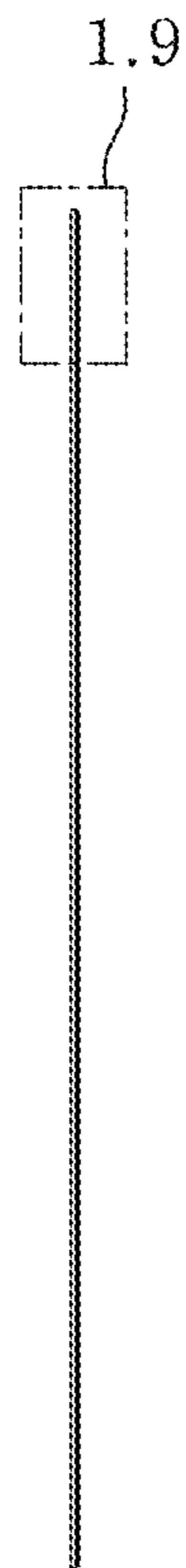
1.2



1.3



1.4



1.5



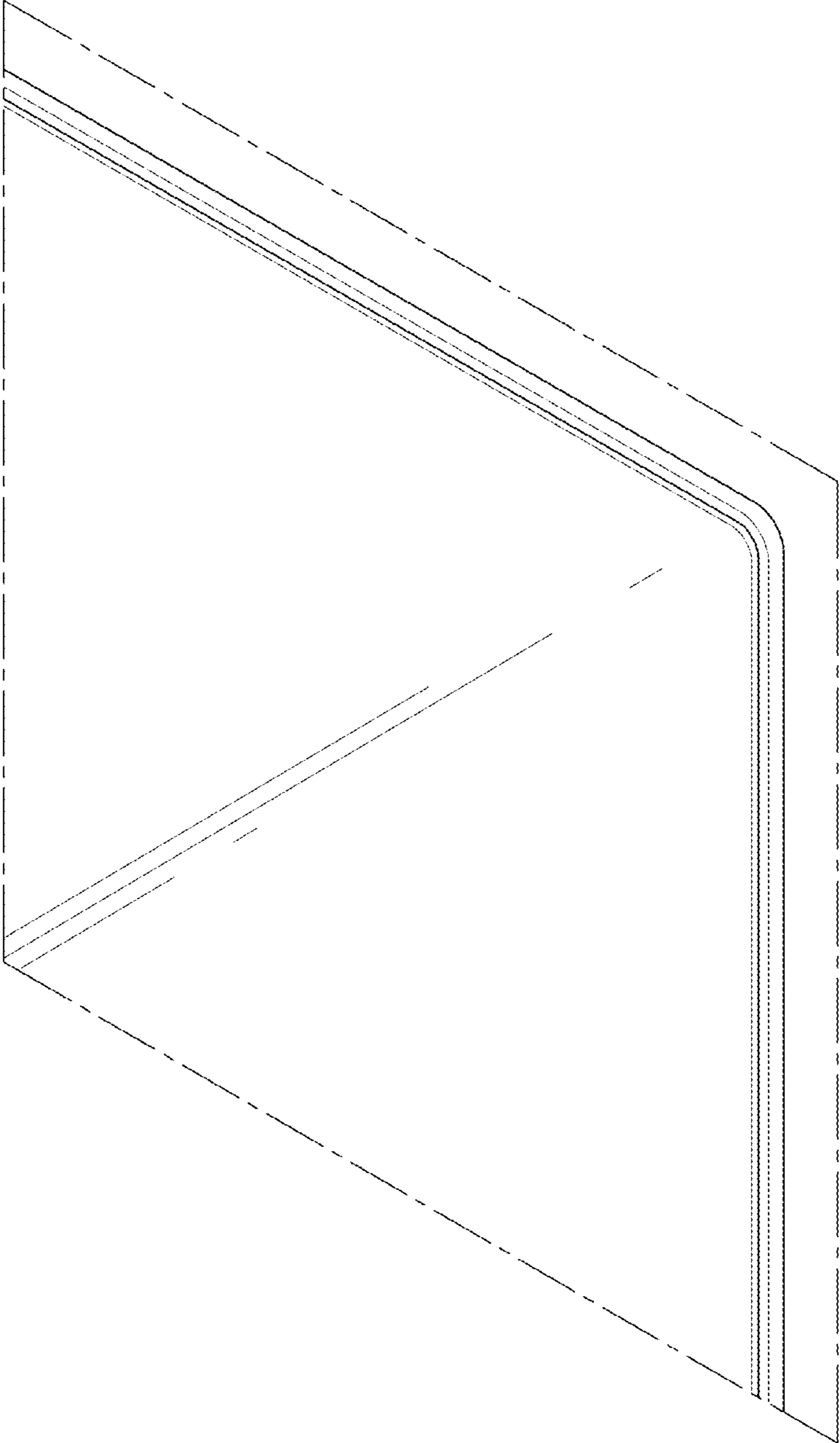
**1.6**

---

**1.7**

---

1.8





1.9

