



US00D811356S

(12) **United States Design Patent**
Won et al.

(10) **Patent No.:** **US D811,356 S**
(45) **Date of Patent:** **** Feb. 27, 2018**

(54) **TELEVISION RECEIVER**
(71) Applicant: **LG ELECTRONICS INC.**, Seoul (KR)
(72) Inventors: **Hyojin Won**, Seoul (KR); **Yongho Lee**, Seoul (KR)
(73) Assignee: **LG Electronics Inc.**, Seoul (KR)
(**) Term: **15 Years**
(21) Appl. No.: **35/501,342**
(22) Filed: **Feb. 3, 2016**
(80) **Hague Agreement Data**
Int. Filing Date: **Feb. 3, 2016**
Int. Reg. No.: **DM/090628**
Int. Reg. Date: **Feb. 3, 2016**
Int. Reg. Pub. Date: **Aug. 5, 2016**

(30) **Foreign Application Priority Data**
Aug. 5, 2015 (KR) 30-2015-0039671
(51) **LOC (11) Cl.** **14-03**
(52) **U.S. Cl.**
USPC **D14/126**
(58) **Field of Classification Search**
USPC D14/125-134, 136, 159, 239, 336, 342,
D14/371, 374-377, 440, 448, 450;
D21/329, 515, 577, 622
CPC ... G06F 1/1601; G06F 1/1643; H05K 5/0004;
H05K 5/0017; H05K 5/02; H05K 5/0217
See application file for complete search history.

(56) **References Cited**
U.S. PATENT DOCUMENTS
D606,953 S * 12/2009 Shin D14/126
D614,595 S * 4/2010 Kubota D14/126
D637,573 S * 5/2011 Lee D14/126

D656,914 S * 4/2012 Shin D14/126
D658,612 S * 5/2012 Won D14/126
D706,233 S * 6/2014 Lee D14/126
D709,044 S * 7/2014 Takami D14/126
D713,805 S * 9/2014 Kim D14/126
D725,059 S * 3/2015 Kim D14/126
D732,490 S * 6/2015 Kim D14/126
D737,235 S * 8/2015 Kim D14/126
D742,344 S * 11/2015 Kim D14/126
D743,360 S * 11/2015 Kim D14/126
D744,438 S * 12/2015 Kim D14/126
D744,442 S * 12/2015 Kim D14/126
D759,619 S * 6/2016 Seo D14/126
D763,211 S * 8/2016 Kim D14/126
D763,212 S * 8/2016 Moon D14/126
D770,407 S * 11/2016 Lee D14/126
D774,012 S * 12/2016 Lee D14/126
D775,094 S * 12/2016 Kim D14/126
D783,554 S * 4/2017 Kim D14/126
D784,940 S * 4/2017 Lee D14/126
D790,493 S * 6/2017 Han D14/126

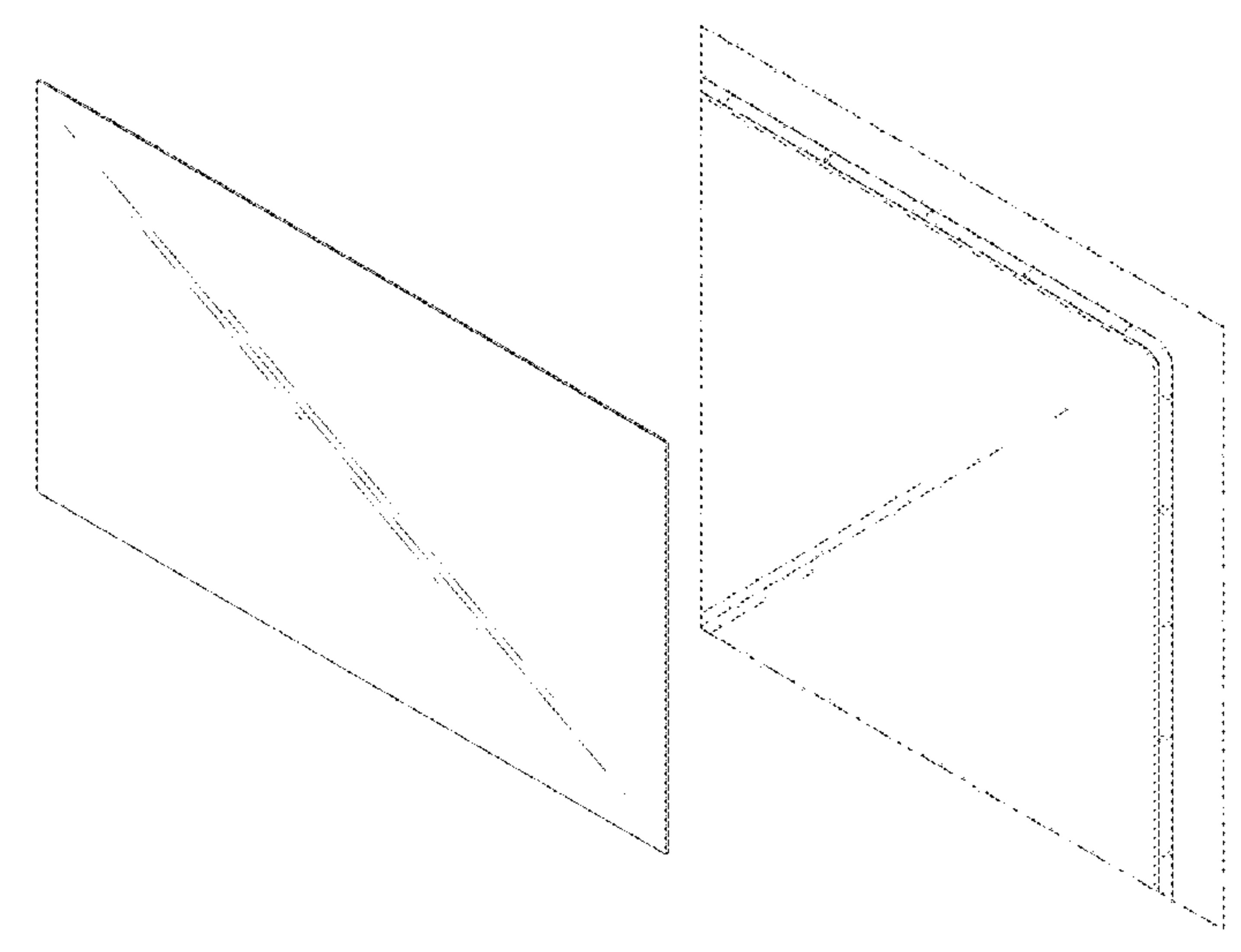
(Continued)

Primary Examiner — Manpreet Matharu
Assistant Examiner — Holly E Thurman
(74) *Attorney, Agent, or Firm* — Birch, Stewart, Kolasch & Birch, LLP

(57) **CLAIM**
The ornamental design for a television receiver, as shown and described.

DESCRIPTION
1. Television receiver
1.1 : Perspective
1.2 : Front
1.3 : Back
1.4 : Left
1.5 : Right
1.6 : Top
1.7 : Bottom
1.8 : Enlarged
1.9 : Enlarged

1 Claim, 9 Drawing Sheets



(56)

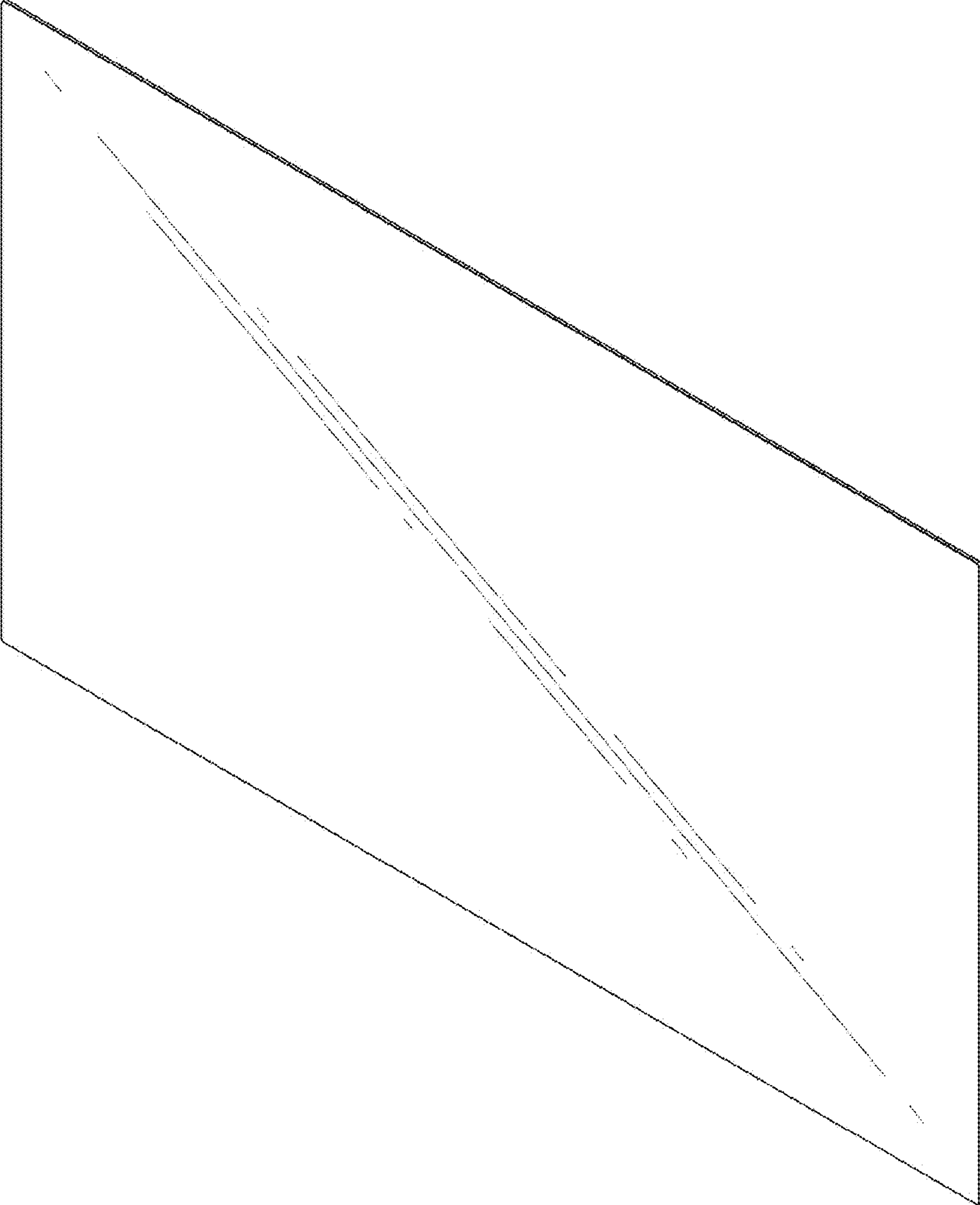
References Cited

U.S. PATENT DOCUMENTS

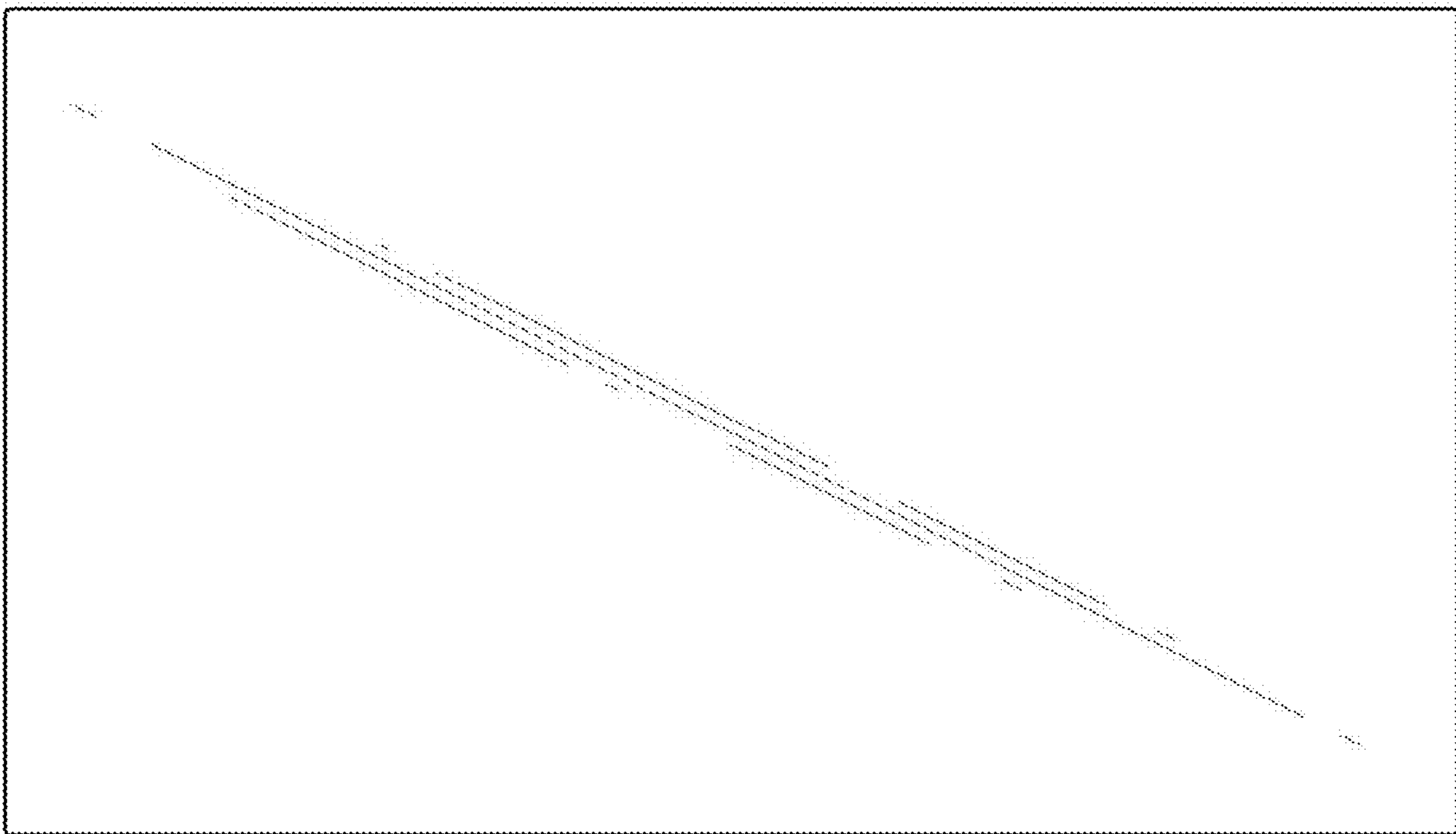
D791,094 S * 7/2017 Han D14/126
D792,361 S * 7/2017 Han D14/126

* cited by examiner

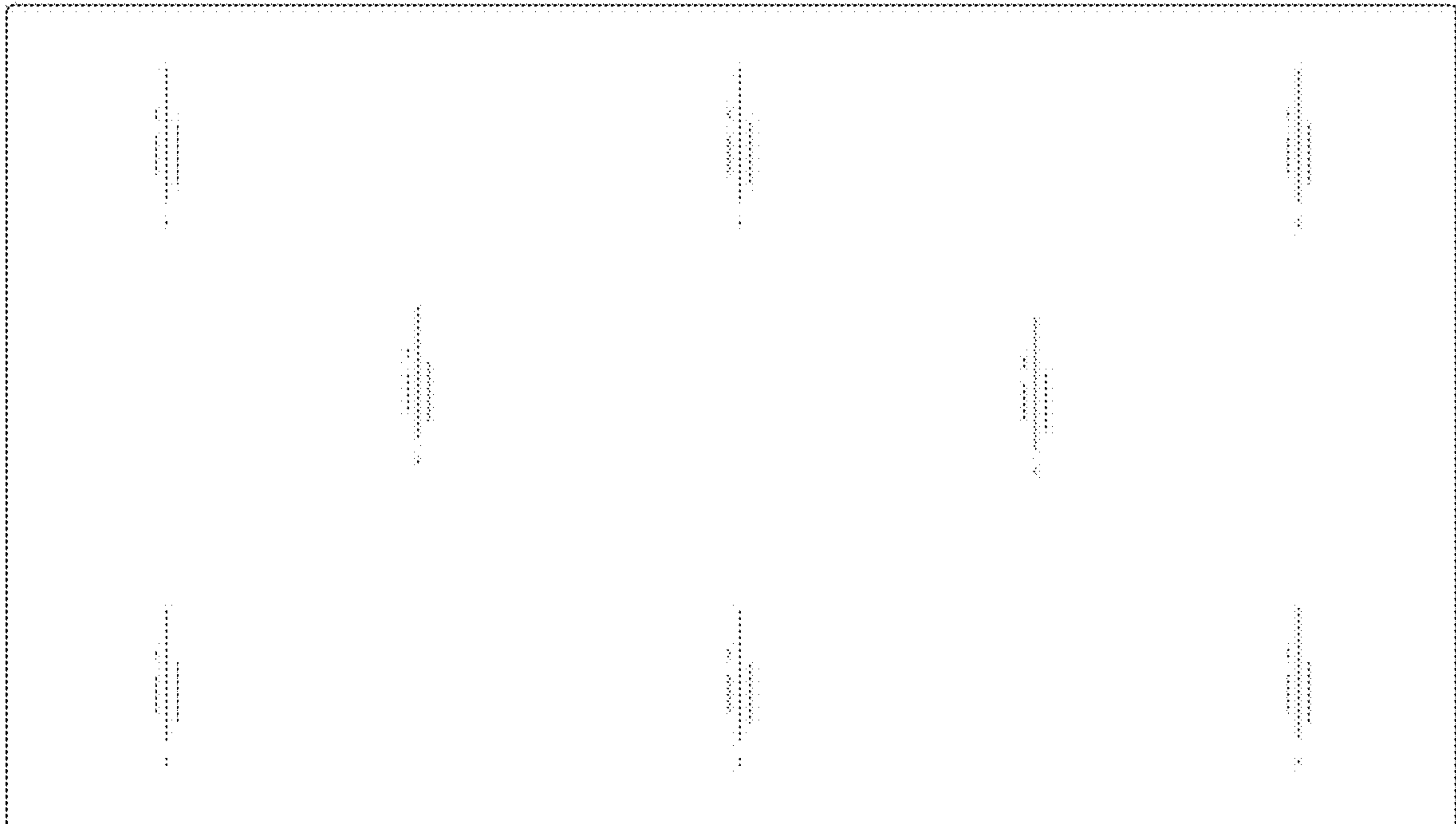
1.1



1.2



1.3



1.4



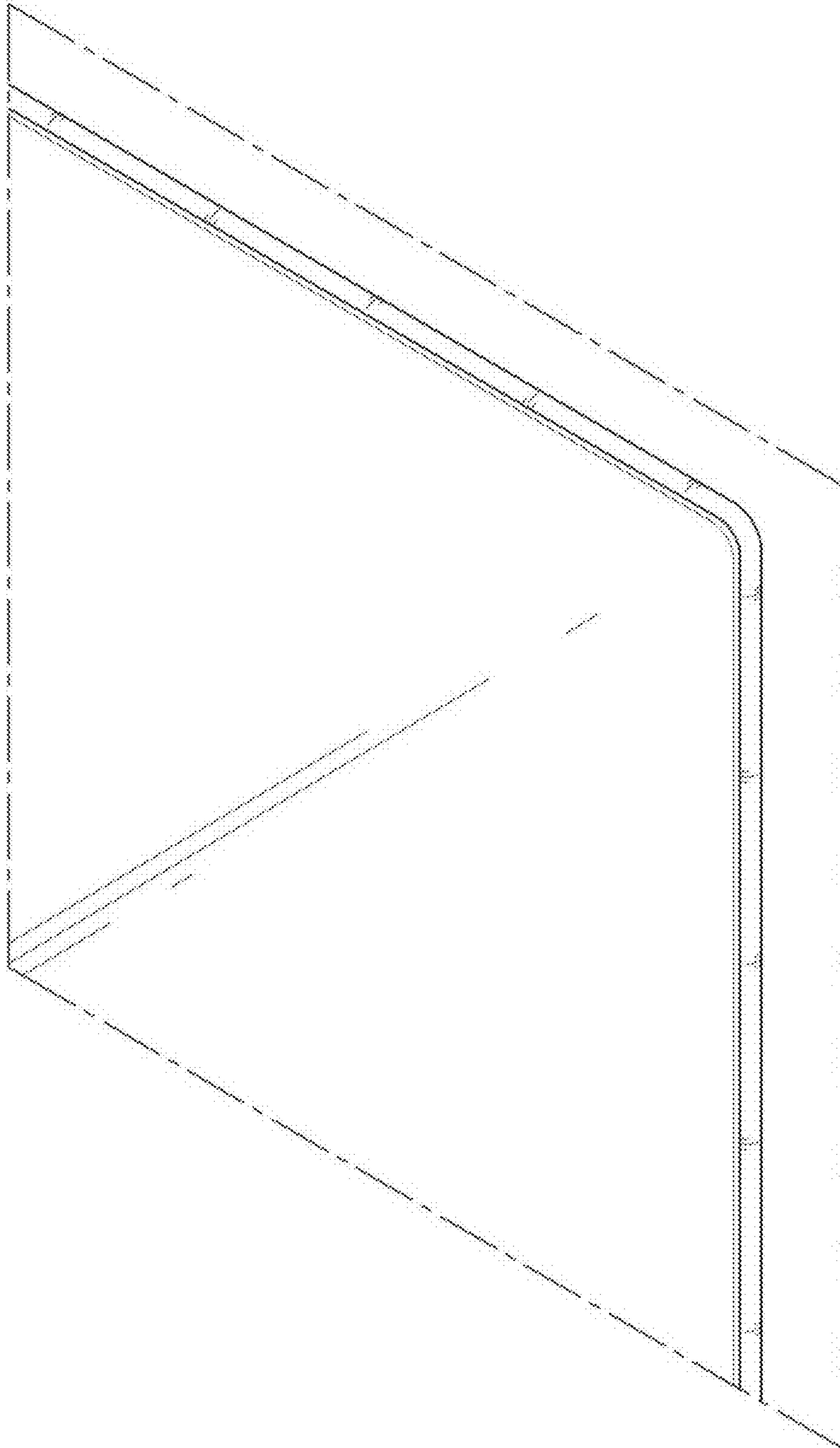
1.5



1.6

1.7

1.8



1.9

