



US00D811351S

(12) **United States Design Patent**
O’Connell

(10) **Patent No.:** **US D811,351 S**

(45) **Date of Patent:** **** Feb. 27, 2018**

(54) **REMOTE CONTROL**

(71) Applicant: **HUNTER FAN COMPANY,**
Memphis, TN (US)

(72) Inventor: **Patrick O’Connell,** Germantown, TN
(US)

(73) Assignee: **Hunter Fan Company,** Memphis, TN
(US)

(**) Term: **15 Years**

(21) Appl. No.: **29/582,072**

(22) Filed: **Oct. 25, 2016**

(51) **LOC (11) Cl.** **14-03**

(52) **U.S. Cl.**
USPC **D13/168**

(58) **Field of Classification Search**
USPC D13/168; D14/218
CPC H03J 1/0025; H01H 9/0235; H04B 1/202;
G08C 17/00; G08C 17/02; G08C 19/00;
G08C 19/28; G08C 23/04; H05B
37/0263; H05B 37/0272

See application file for complete search history.

(56) **References Cited**

U.S. PATENT DOCUMENTS

D303,638	S	*	9/1989	Andrews, Sr.	D10/106.1
D306,853	S	*	3/1990	Mayo	D13/165
D391,230	S		2/1998	Thomas		
D413,580	S		9/1999	Zuege		
6,015,274	A	*	1/2000	Bias	F04D 25/088 417/423.1
6,120,262	A	*	9/2000	McDonough	H05B 37/0272 318/16
D496,335	S	*	9/2004	Spira	D13/168
D569,813	S	*	5/2008	Charleux	D13/168
D611,432	S	*	3/2010	Ducret	D13/168
D632,263	S		2/2011	Lin		

D638,806	S	*	5/2011	Kim	D13/168
D641,718	S	*	7/2011	Sakai	D13/168
D649,123	S	*	11/2011	Jacoby	D13/164
8,253,272	B2	*	8/2012	Schulzman	F04D 25/068 307/155
8,330,638	B2	*	12/2012	Altonen	H01H 9/025 341/176
D704,152	S	*	5/2014	Altonen	D13/168
9,589,461	B1	*	3/2017	Byrne	G08C 19/00

(Continued)

OTHER PUBLICATIONS

<http://www.homedepot.com/p/Hampton-Bay-Universal-3-Speed-Ceiling-Fan-Remote-Control-68130/205846353#68130>, Item Specification for Hampton Bay Universal 3-Speed Ceiling Fan Remote Control, accessed on Oct. 12, 2016.

(Continued)

Primary Examiner — Selina Sikder

(74) *Attorney, Agent, or Firm* — McGarry Bair PC

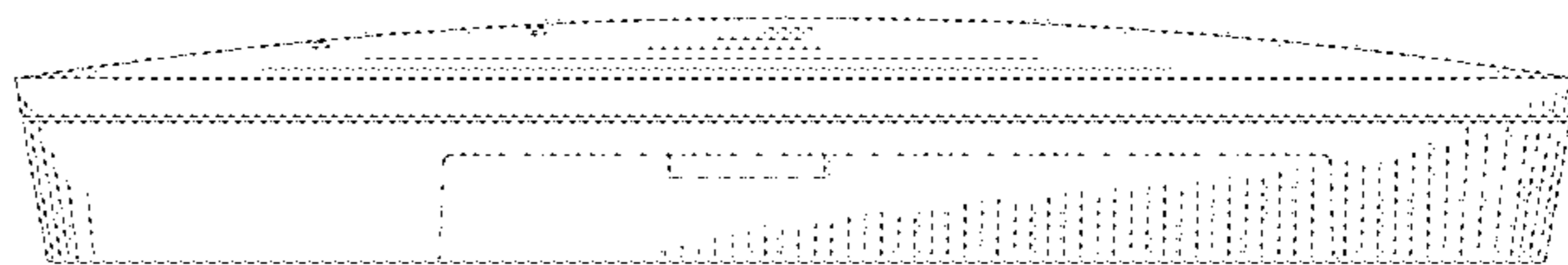
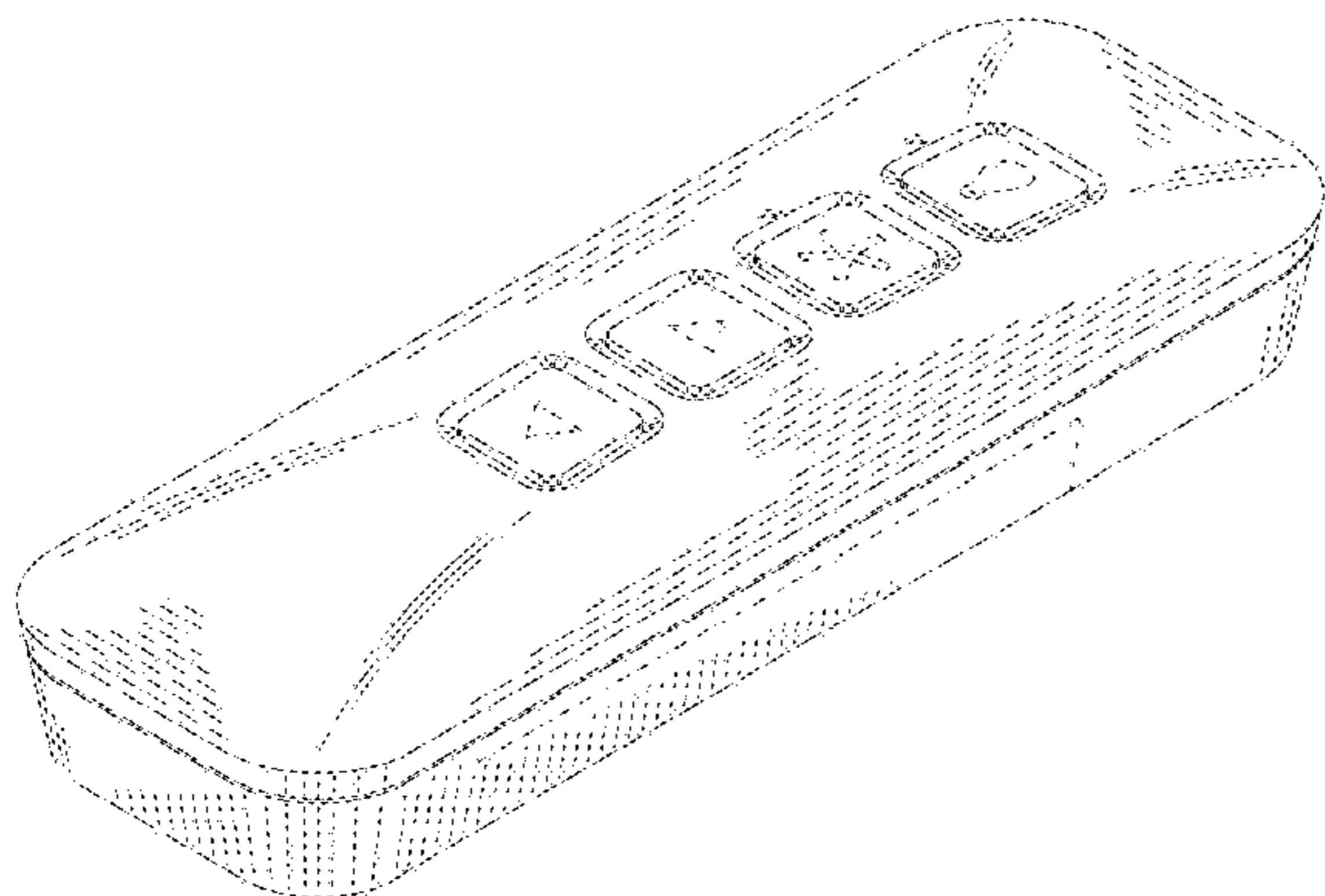
(57) **CLAIM**

The ornamental design for a remote control, as shown and described.

DESCRIPTION

FIG. 1 is a top perspective view of a remote control;
FIG. 2 is a bottom perspective view of the remote control of FIG. 1;
FIG. 3 is a top view of the remote control of FIG. 1;
FIG. 4 is a bottom view of the remote control of FIG. 1;
FIG. 5 is a front side view of the remote control of FIG. 1;
FIG. 6 is a rear side view of the remote control of FIG. 1;
FIG. 7 is a right side view of the remote control of FIG. 1;
and,
FIG. 8 is a left side view of the remote control of FIG. 1.
Portions of the remote control shown in broken lines form no part of the claimed design.

1 Claim, 8 Drawing Sheets



(56)

References Cited

U.S. PATENT DOCUMENTS

2006/0176689 A1* 8/2006 Dowdy F21S 9/02
362/188
2012/0104197 A1* 5/2012 Jensen F16M 13/02
248/205.1
2013/0334969 A1* 12/2013 Ishikita H05B 37/0227
315/129

OTHER PUBLICATIONS

<http://ceilingfans.emerson.com/shop/en/fan/fans-s-lighting-and-accessories/fans-accessories-lighting-browse-all/four-speed-remote-control-fan-sr401>, Item Specification for Four-Speed Remote Control SR401, accessed on Oct. 12, 2016.
<http://www.minkagroup.net/products/rc588>, Item Specification for Minka Aire RC588, accessed on Oct. 12, 2016.
http://www.lokeshlectricals.com/Consumer_Products/Fans/New_Arrivals.html, Item Specification for Lokesh Electricals Remote Handset for Crompton Greaves Fan, accessed on Oct. 12, 2016.
<http://ceilingfans.emerson.com/shop/en/fan/fans-s-lighting-and-accessories/fans-s-controls/six-speed-led-remote-control-fan-sr600>, Item Specification for Emerson Six Speed LED Remote Control SR600, accessed on Oct. 12, 2016.
<http://www.montecarlofans.com/33234/White-Hand-held-remote-control-transmitter/receiver,-with-holster-MCRC1withreceiver.html>, Item Specification for Monte Carlo NEO Remote Control Collection MCRC1, accessed on Oct. 12, 2016.
<http://www.homedepot.com/p/Hampton-Bay-Premier-Universal-Ceiling-Fan-Remote-68131/205846352>, Item Specification for Hampton Bay Premier Universal Ceiling Fan Remote #68131, accessed on Oct. 12, 2016.
<https://www.amazon.com/Universal-Ceiling-Fan-Thermostatic-Remote/dp/B01GVZRHGC>, Item Specification for Hampton Bay Uni-

versal Ceiling Fan Thermostatic Remote #68108, accessed Oct. 12, 2016.
<http://www.homedepot.com/p/Hampton-Bay-Universal-Ceiling-Fan-Basic-Remote-Controls-68101/205846347>, Item Specification for Hampton Bay Universal Ceiling Fan Basic Remote Controls #68101, accessed on Oct. 12, 2016.
<http://www.lowes.com/pd/Harbor-Breeze-Off-White-Handheld-Universal-Ceiling-Fan-Remote-Control/1000014092>, Item Specification for Harbor Breeze Off-White Handheld Universal Ceiling Fan Remote Control #745358 Model 40843, accessed on Oct. 12, 2016.
<http://www.lowes.com/pd/Monte-Carlo-Fan-Company-Handheld-Ceiling-Fan-Remote/50226465>, Item Specification for Monte Carlo Fan Company Handheld Ceiling Fan Remote #607425 MCRC1RT, accessed on Oct. 12, 2016.
<http://www.lowes.com/pd/Monte-Carlo-Fan-Company-Handheld-Ceiling-Fan-Remote/50226471>, Item Specification for Monte Carlo Fan Company Handheld Ceiling Fan Remote #607425 MCRC1TAL, accessed on Oct. 12, 2016.
<http://www.lowes.com/pd/Monte-Carlo-Fan-Company-Handheld-Ceiling-Fan-Remote/50226473>, Item Specification for Monte Carlo Fan Company Handheld Ceiling Fan Remote #607425 MCRC2RT, accessed on Oct. 12, 2016.
<http://www.lowes.com/pd/Monte-Carlo-Fan-Company-Wall-Mount-Ceiling-Fan-Remote/50226483>, Item Specification for Monte Carlo Fan Company Wall-Mount Ceiling Fan Remote #607425 MCRC4RW, accessed on Oct. 12, 2016.
<http://www.homeclick.com/casablanca-w-75sl-single-light-direct-touch-4-speed-remote-control/p-626343.aspx?chnl=cse&ven=shopzilla&cam=Casablanca&kw=W-75SL>, Item Specification for Casablanca W-75SL Single Light Direct Touch 4-Speed Remote Control, accessed on Oct. 12, 2016.
<https://www.walmart.com/ip/Casablanca-99019-Universal-4-Speed-Remote-Control-System-White/24211991>, Item Specification for Casablanca Universal Handheld Remote Control Model 99019, accessed on Oct. 12, 2016.

* cited by examiner

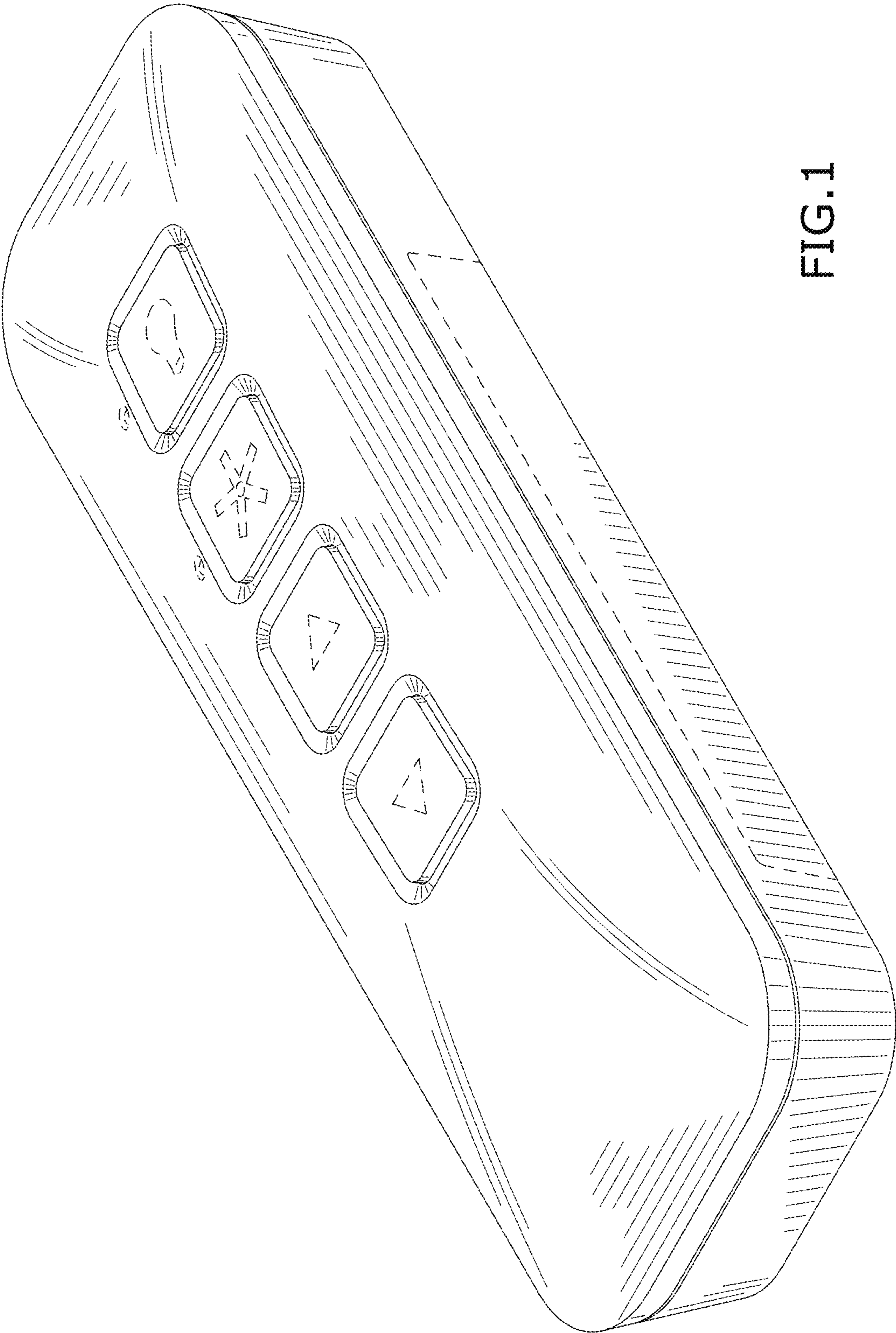


FIG.1

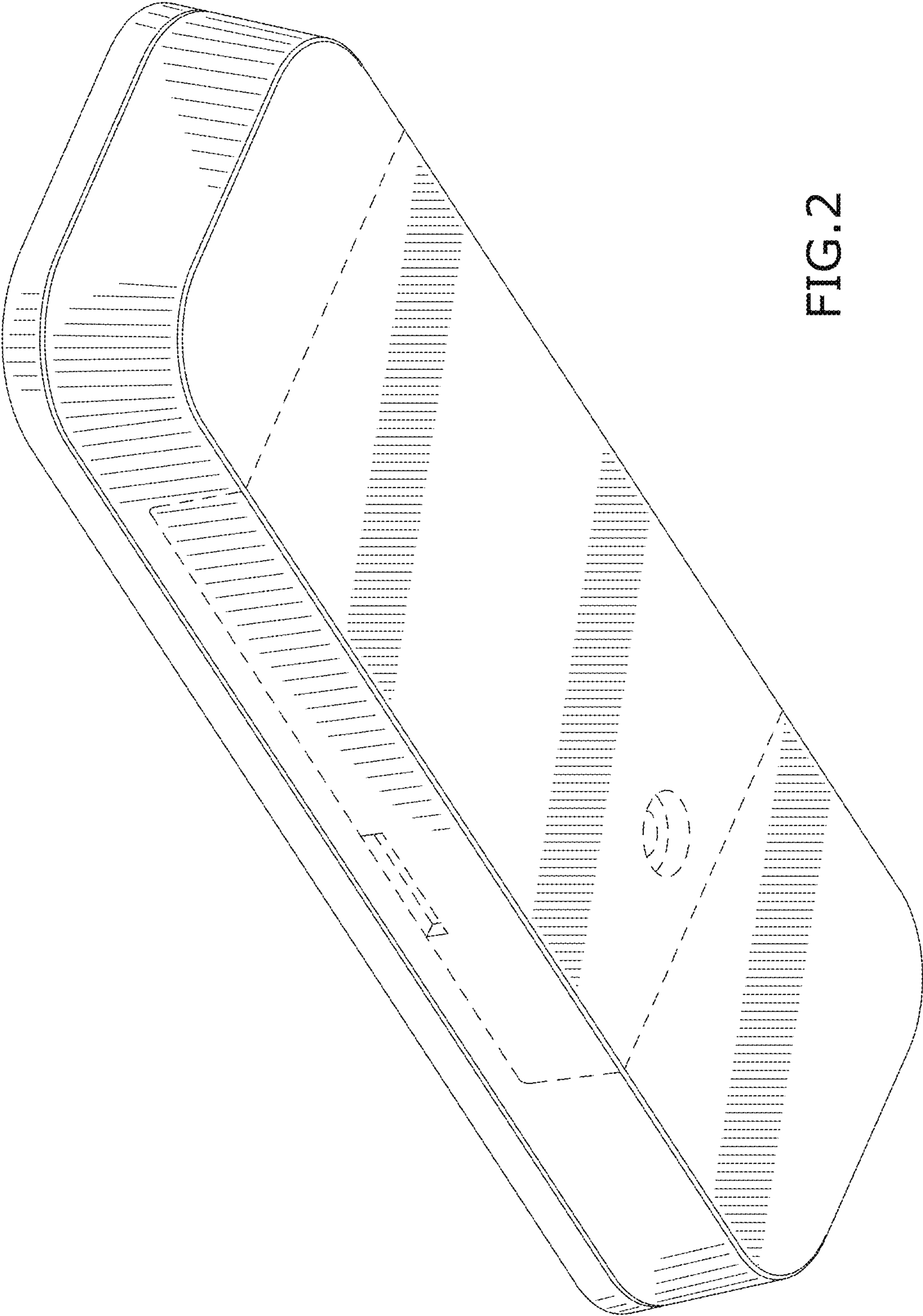


FIG. 2

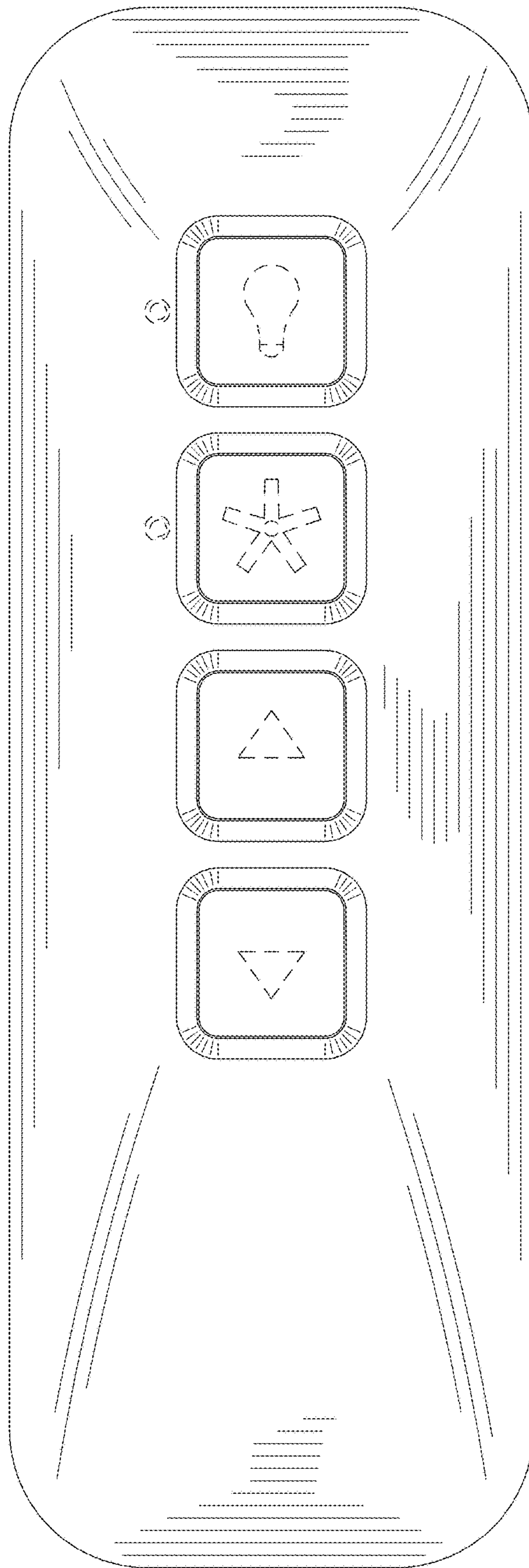


FIG. 3

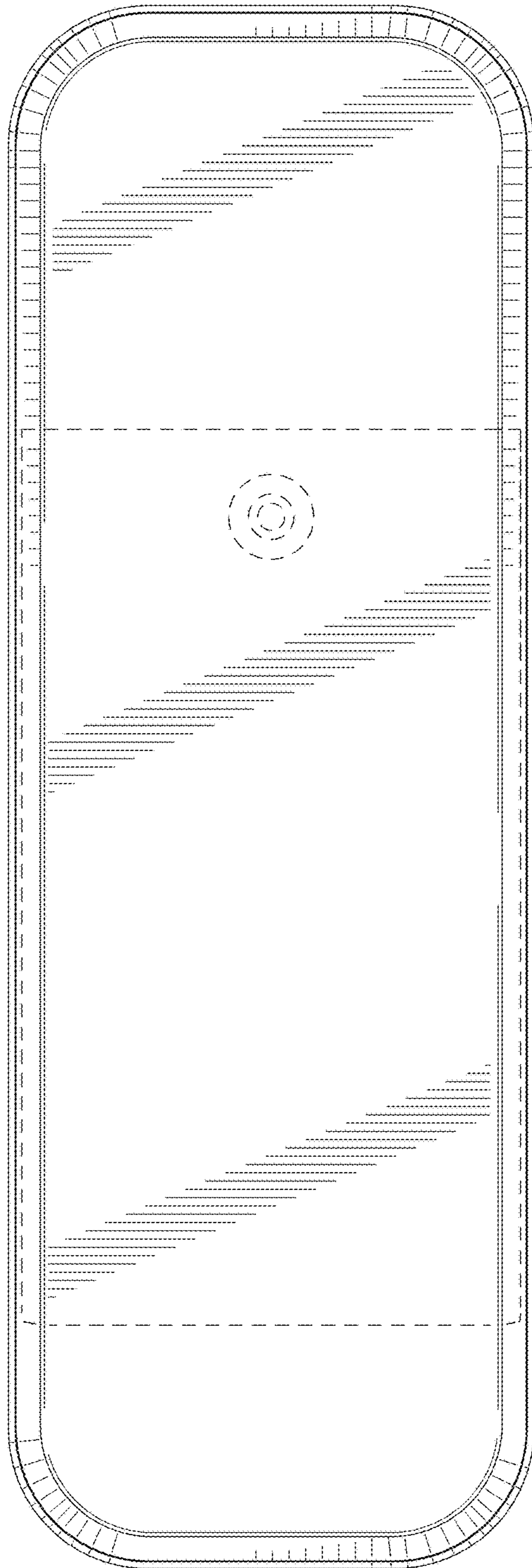


FIG. 4

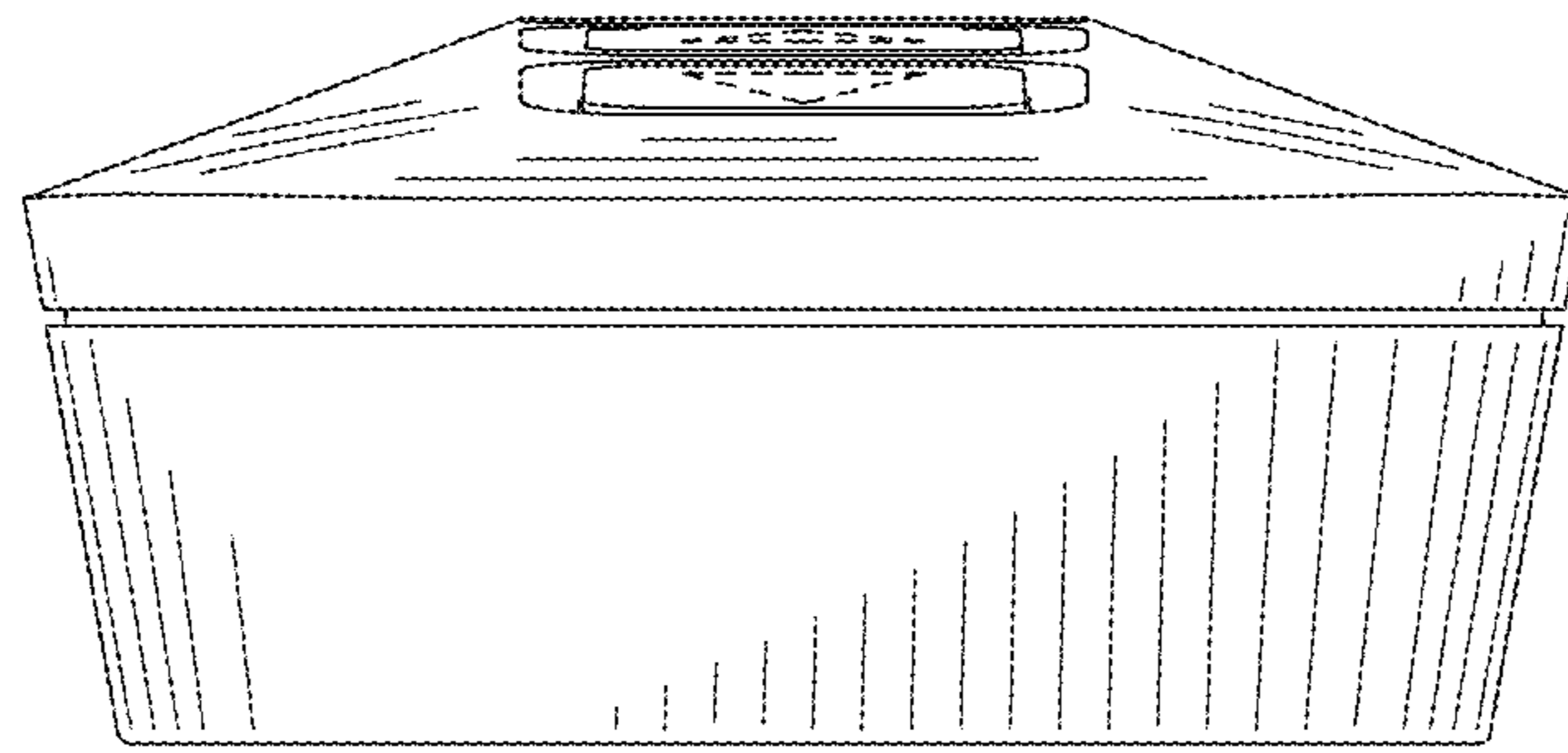


FIG. 5

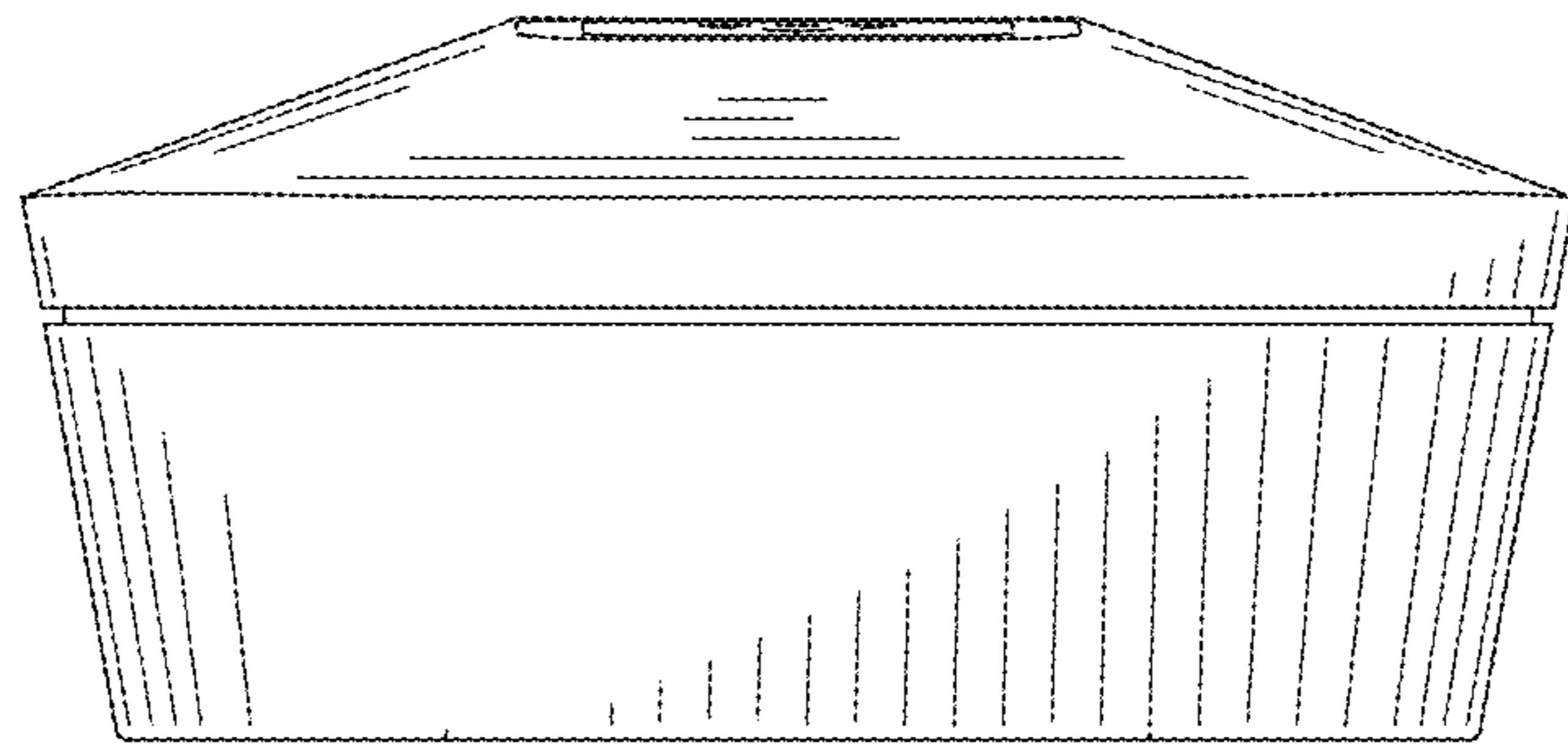


FIG.6

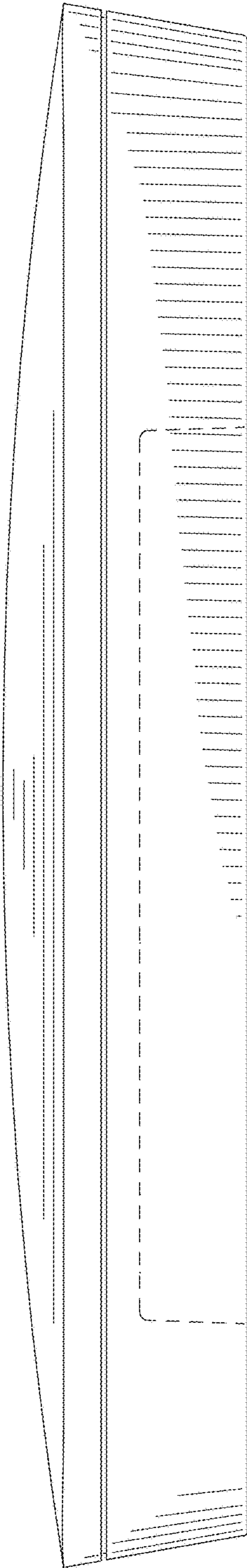


FIG. 7

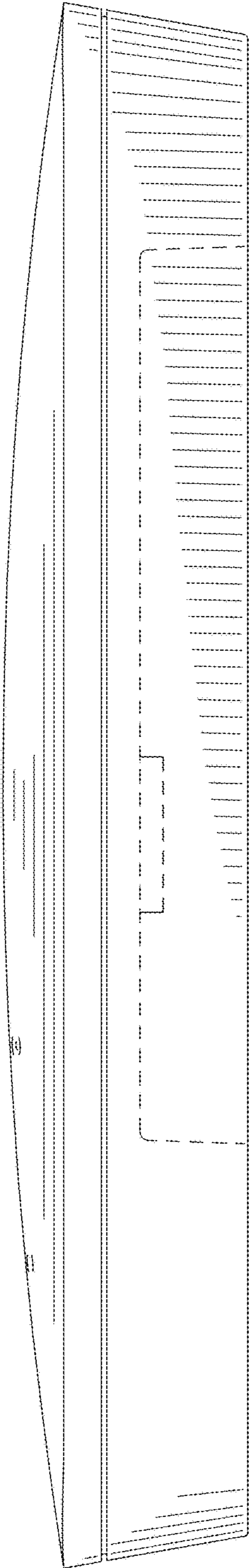


FIG. 8