



US00D811350S

(12) **United States Design Patent**
Huettemeier

(10) **Patent No.:** **US D811,350 S**

(45) **Date of Patent:** **** Feb. 27, 2018**

(54) **ELECTRICAL CONNECTOR**

(71) Applicant: **Phoenix Contact GmbH & Co. KG,**
Blomberg (DE)

(72) Inventor: **Thomas Huettemeier,** Lage (DE)

(73) Assignee: **PHOENIX CONTACT GMBH & CO.**
KG, Blomberg (DE)

(**) Term: **15 Years**

(21) Appl. No.: **29/539,594**

(22) Filed: **Sep. 16, 2015**

(30) **Foreign Application Priority Data**

Mar. 19, 2015 (EM) 002661025-0005

(51) **LOC (11) Cl.** **13-03**

(52) **U.S. Cl.**
USPC **D13/158**

(58) **Field of Classification Search**
USPC D13/110, 123, 133, 147, 154, 158-160,
D13/173, 184, 199

CPC ... H01R 9/00; H01R 9/22; H01R 9/26; H01R
12/00; H01R 13/00; H01R 13/51; H01R
13/62; H01R 13/63; H01H 51/29; H01H
51/28; H01H 51/12; H01H 50/02; H01H
47/00; H01H 45/00; H01H 35/00

See application file for complete search history.

(56) **References Cited**

U.S. PATENT DOCUMENTS

7,242,116 B2 * 7/2007 Kawazu G05B 19/058
307/326
D566,049 S * 4/2008 Radau D13/162
D567,191 S * 4/2008 Eichinger D13/158

D600,213 S * 9/2009 Inoue D13/133
D616,833 S * 6/2010 Heggemann D13/164
D616,834 S * 6/2010 Heggemann D13/164
D626,516 S * 11/2010 Hakemeyer D13/158
D685,331 S * 7/2013 Correll D13/147
D752,514 S * 3/2016 Hoppmann D13/133
9,455,510 B2 * 9/2016 Busch H05K 7/1469
D792,352 S * 7/2017 Masaki D13/159
9,806,481 B2 * 10/2017 Best H01R 27/02
2009/0203234 A1 * 8/2009 Heggemann H01R 9/2625
439/59
2009/0207571 A1 * 8/2009 Heggemann H01R 9/2625
361/752
2015/0229045 A1 * 8/2015 Falk H01R 9/2608
439/121

* cited by examiner

Primary Examiner — Thomas Johannes

Assistant Examiner — Shawn T Gingrich

(74) *Attorney, Agent, or Firm* — Leydig, Voit & Mayer,
Ltd.

(57) **CLAIM**

The ornamental design for an electrical connector, as shown
and described.

DESCRIPTION

FIG. 1 is a top right front perspective view of the electrical
connector showing my new design;

FIG. 2 is a bottom plan view thereof;

FIG. 3 is a rear elevational view thereof;

FIG. 4 is a right side elevational view thereof;

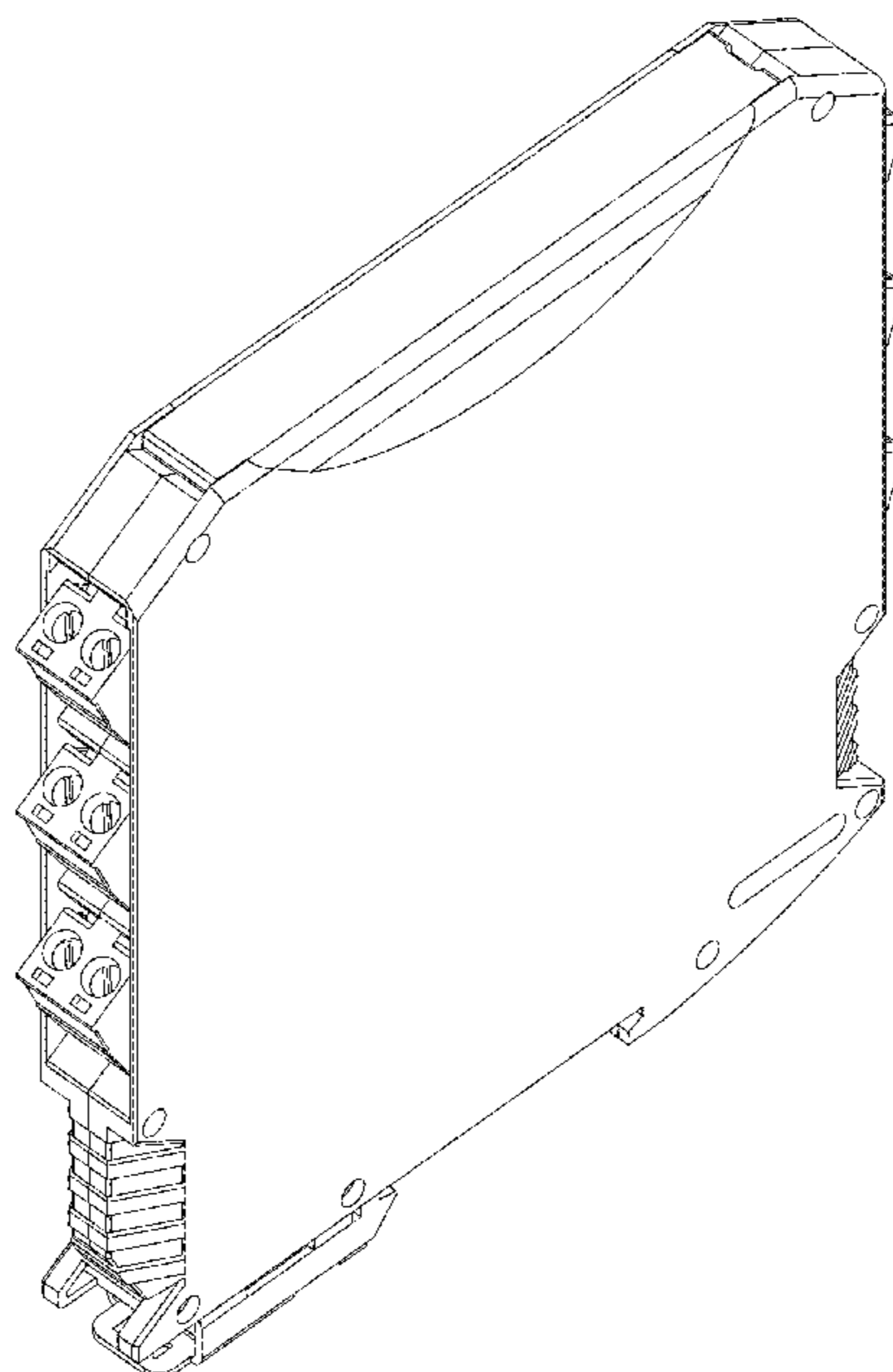
FIG. 5 is a front elevational view thereof;

FIG. 6 is a left side elevational view thereof; and,

FIG. 7 is a top plan view thereof.

The broken line portion of the figure drawings is included to
show portions of the article that form no part of the claimed
design.

1 Claim, 7 Drawing Sheets



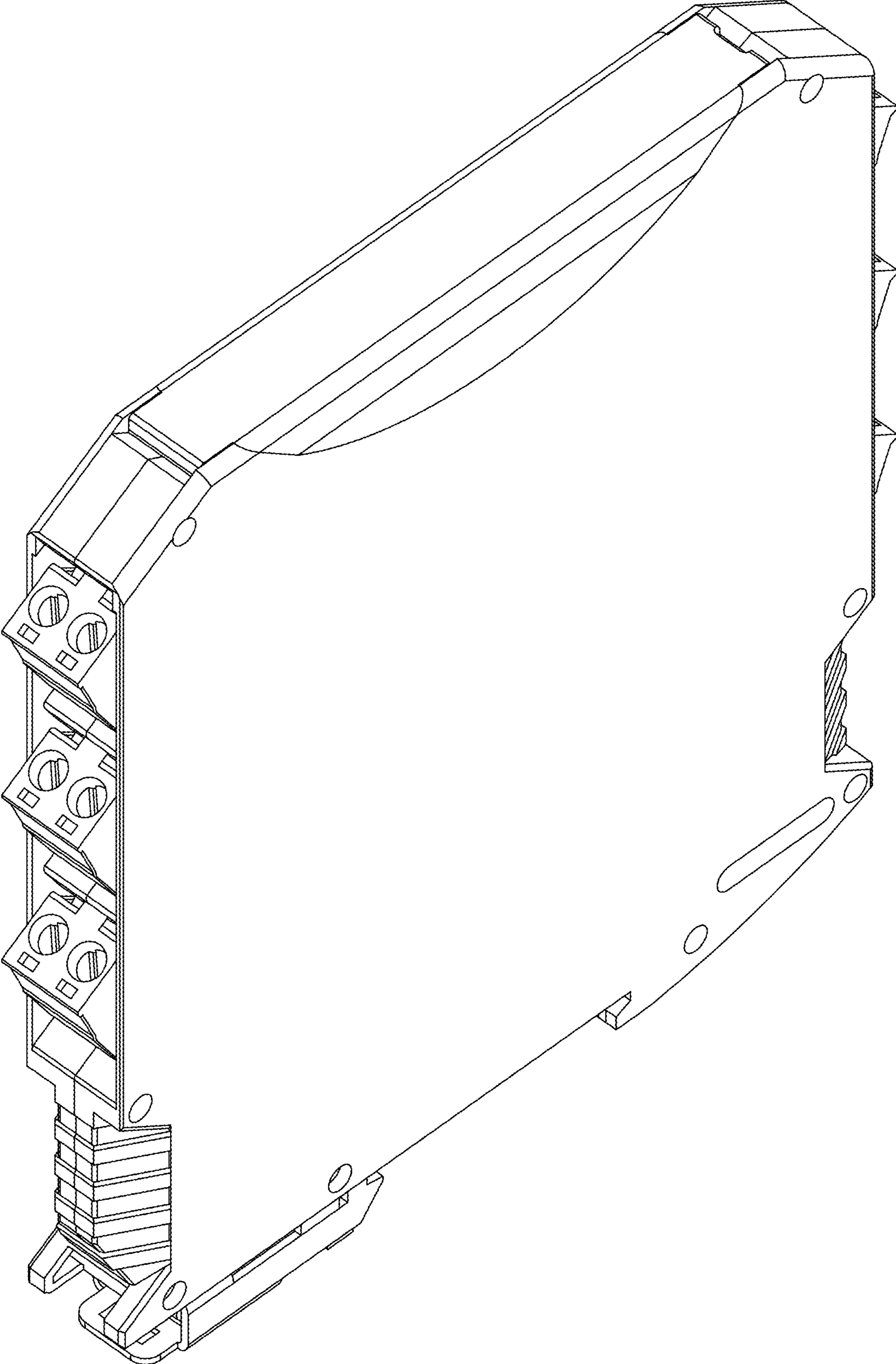


FIG. 1

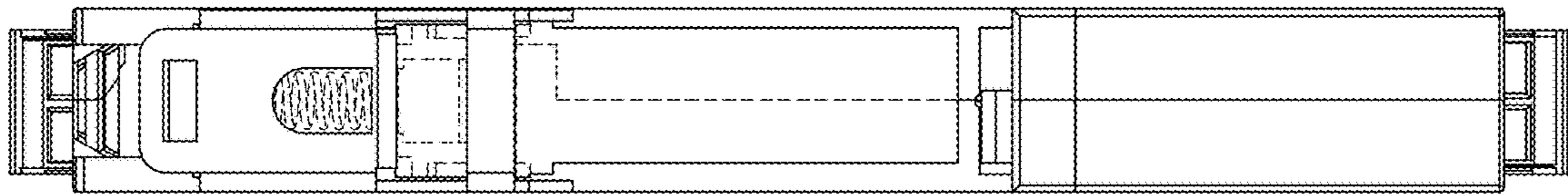


FIG. 2

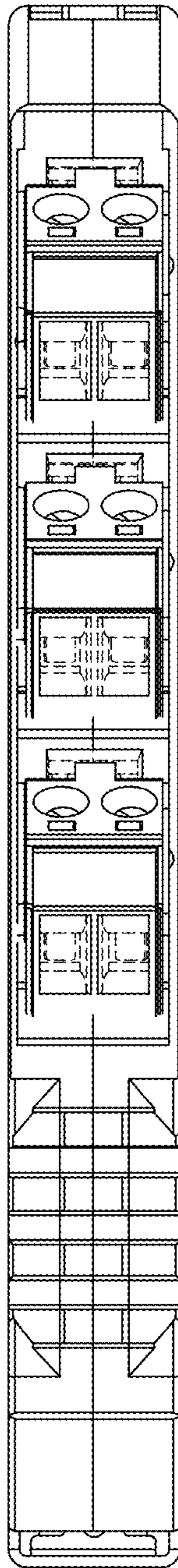


FIG. 3

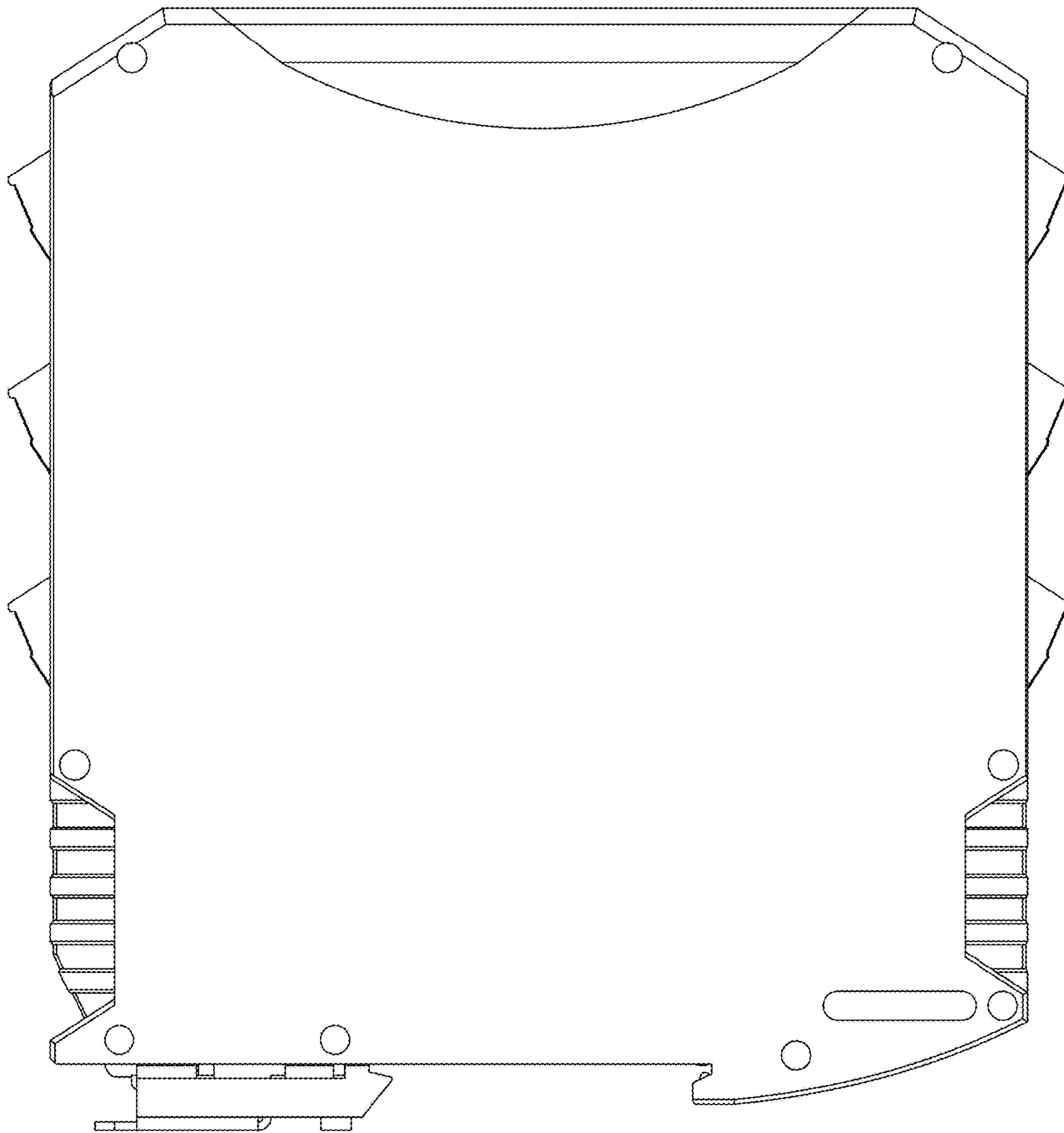


FIG.4

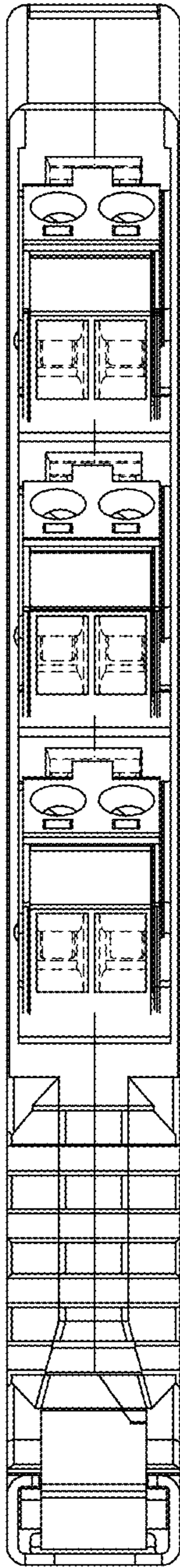


FIG. 5

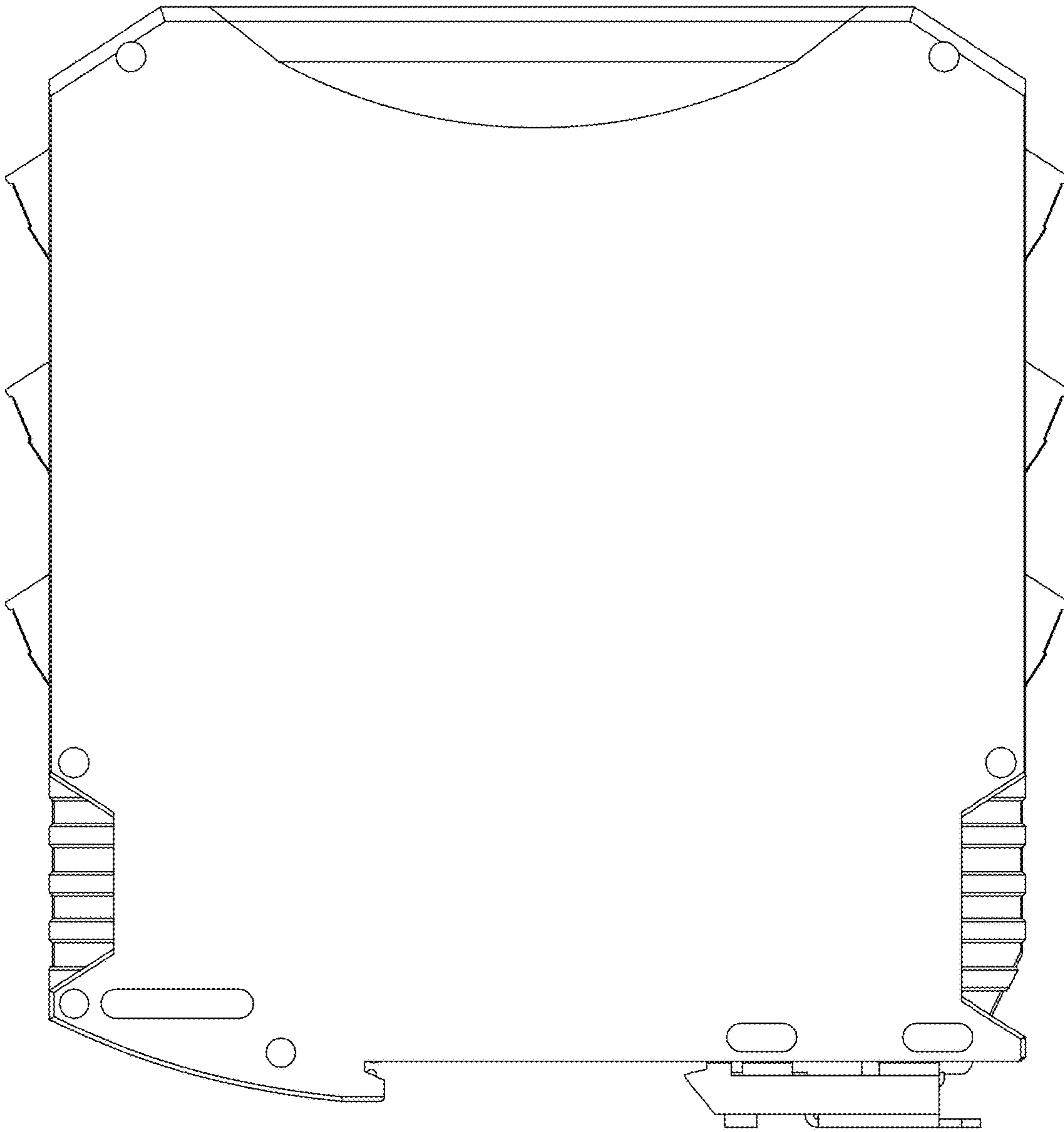


FIG.6

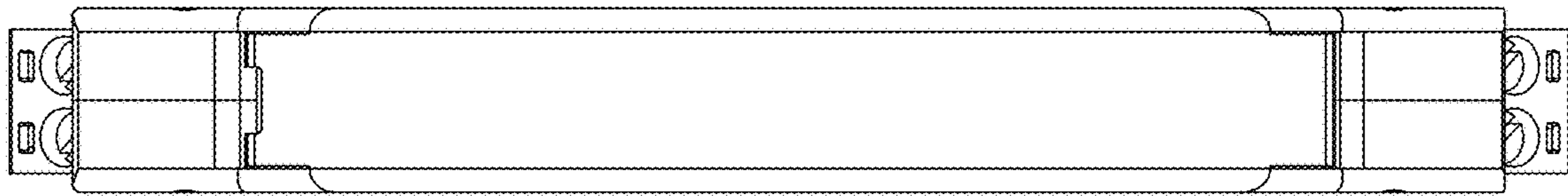


FIG. 7