



US00D811348S

(12) **United States Design Patent** (10) **Patent No.:** **US D811,348 S**  
**Cueller et al.** (45) **Date of Patent:** **\*\* Feb. 27, 2018**

(54) **CONNECTOR HOUSING**

(71) Applicant: **Molex, LLC**, Lisle, IL (US)

(72) Inventors: **Edmundo Delmotte Cueller**,  
Tlajomulco de Zuñiga (MX); **Josue Alejandro Velasquez Sahagun**,  
Zapopan (MX)

(73) Assignee: **Molex, LLC**, Lisle, IL (US)

(\*\*) Term: **15 Years**

(21) Appl. No.: **29/588,378**

(22) Filed: **Dec. 20, 2016**

(51) **LOC (11) Cl.** ..... **13-03**

(52) **U.S. Cl.**  
USPC ..... **D13/152; D13/156**

(58) **Field of Classification Search**  
USPC ..... D13/152, 154, 156, 177; 174/64, 66, 67  
CPC ..... H02G 3/08; H02G 3/081; H02G 3/086;  
H02G 3/10; H02G 3/12; H02G 3/126;  
H02G 3/14; H02G 3/16; H02G 3/18;  
H01R 13/74; H01R 31/065  
See application file for complete search history.

(56) **References Cited**

U.S. PATENT DOCUMENTS

D261,135 S \* 10/1981 Horne ..... 174/67  
D329,422 S \* 9/1992 Fujiyoshi ..... D13/139.1  
D379,453 S \* 5/1997 Fabrizio ..... D13/156  
D381,958 S \* 8/1997 Chen ..... D13/154  
5,934,935 A \* 8/1999 Kameyama ..... H02B 1/04  
439/535  
D414,745 S \* 10/1999 Schmitt ..... D13/152  
D466,085 S \* 11/2002 Heggem ..... D13/152  
D495,301 S \* 8/2004 Newell ..... D13/152  
D597,960 S \* 8/2009 Dinh ..... D13/152  
7,579,549 B2 \* 8/2009 Jolly ..... H02G 3/12  
174/50

8,067,703 B1 \* 11/2011 Gretz ..... H02G 3/22  
174/53  
8,445,780 B1 \* 5/2013 Robins ..... H02G 3/14  
174/481  
D692,836 S \* 11/2013 Thomas ..... D13/152  
8,586,864 B1 \* 11/2013 Shotey ..... H02G 3/14  
174/53  
8,772,649 B1 \* 7/2014 Gretz ..... H02G 3/14  
174/480  
9,247,657 B2 \* 1/2016 Row ..... H01R 13/516  
9,252,610 B2 \* 2/2016 Chen ..... H02J 7/0042  
9,640,962 B2 \* 5/2017 Hernandez  
Ramirez ..... H02G 3/32  
9,711,911 B2 \* 7/2017 Regnier ..... H01R 9/2408  
9,793,648 B2 \* 10/2017 Regnier ..... H01R 13/533  
2004/0238197 A1 \* 12/2004 Gates, II ..... H01R 25/006  
174/53  
2009/0247006 A1 \* 10/2009 Thompson ..... H02G 3/121  
439/527  
2011/0067897 A1 \* 3/2011 Peckham ..... H01R 13/447  
174/67

(Continued)

*Primary Examiner* — Selina Sikder  
(74) *Attorney, Agent, or Firm* — Banner & Witcoff, Ltd.

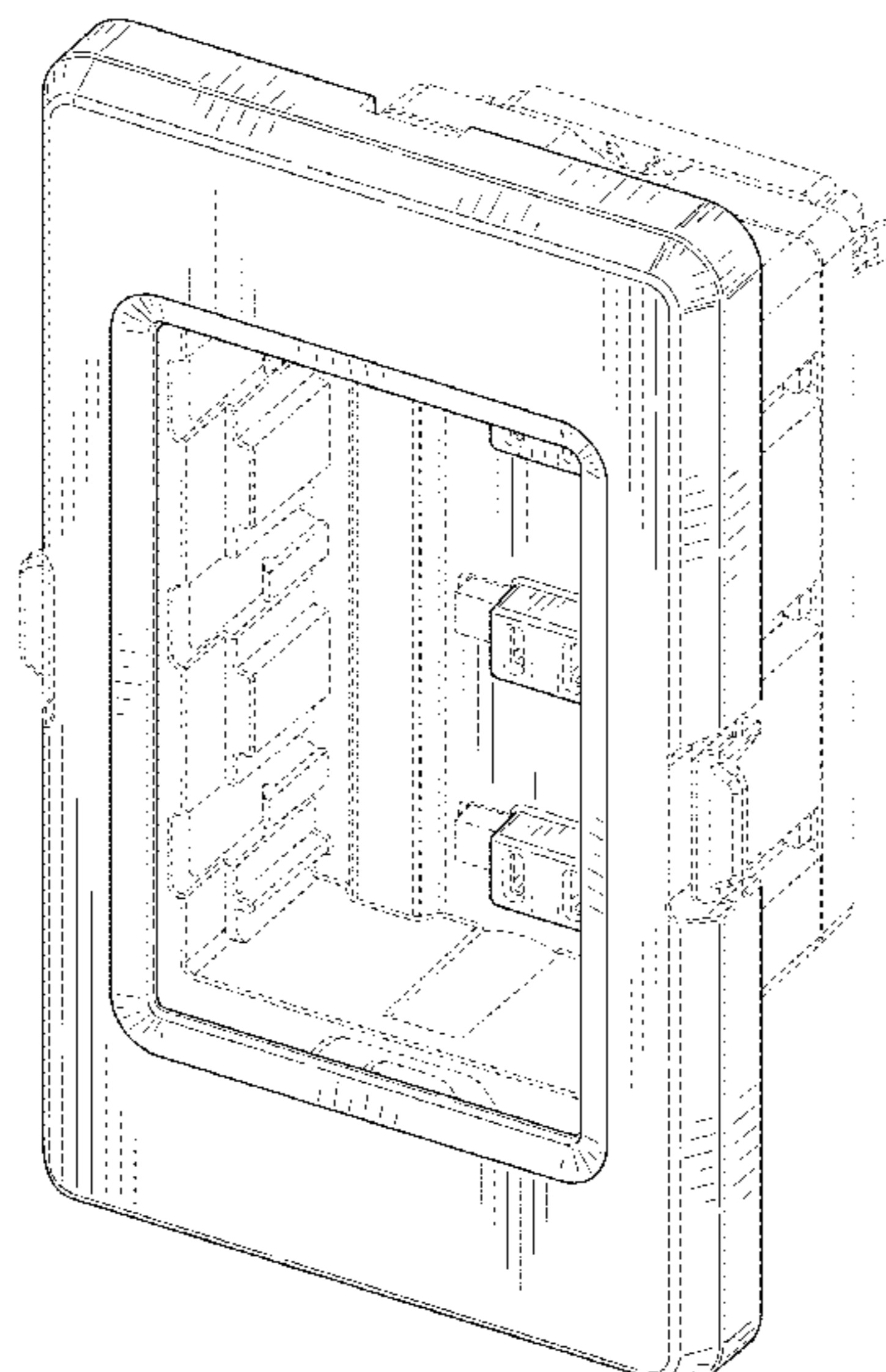
(57) **CLAIM**

The ornamental design for a connector housing, as shown and described.

**DESCRIPTION**

FIG. 1 is a top right perspective view of connector housing showing our new design;  
FIG. 2 is a bottom left perspective view thereof;  
FIG. 3 is a front view thereof;  
FIG. 4 is a right side view thereof;  
FIG. 5 is a left side view thereof;  
FIG. 6 is a top view thereof; and,  
FIG. 7 is a bottom view thereof.  
The broken line showing of the various unshaded regions of the connector housing represents unclaimed subject matter and forms no part in the claimed design.

**1 Claim, 6 Drawing Sheets**



(56)

**References Cited**

U.S. PATENT DOCUMENTS

2013/0267116 A1\* 10/2013 Tin ..... H02J 1/00  
439/535  
2015/0263447 A1\* 9/2015 Liao ..... H01R 27/02  
361/601

\* cited by examiner

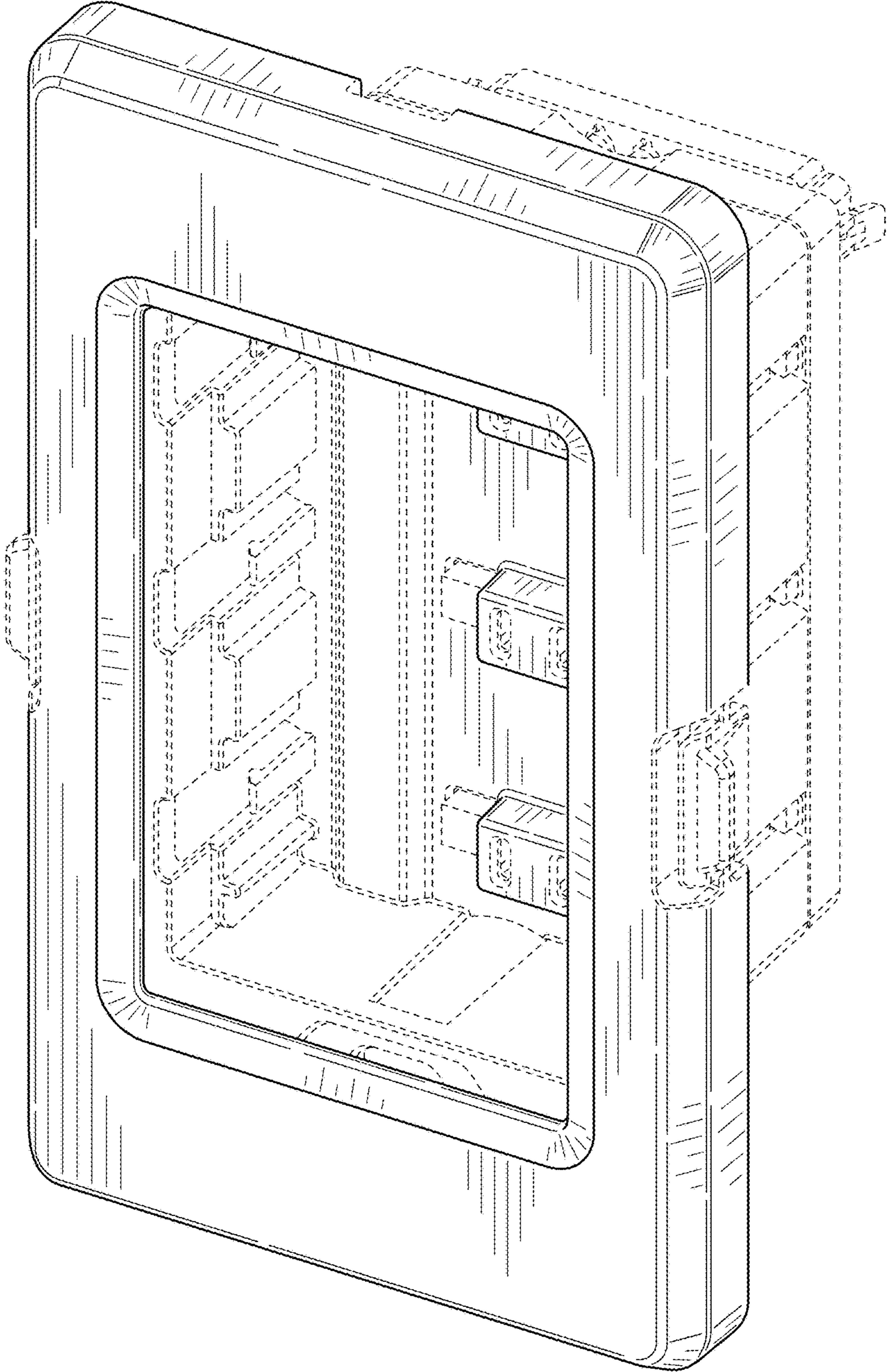


FIG. 1

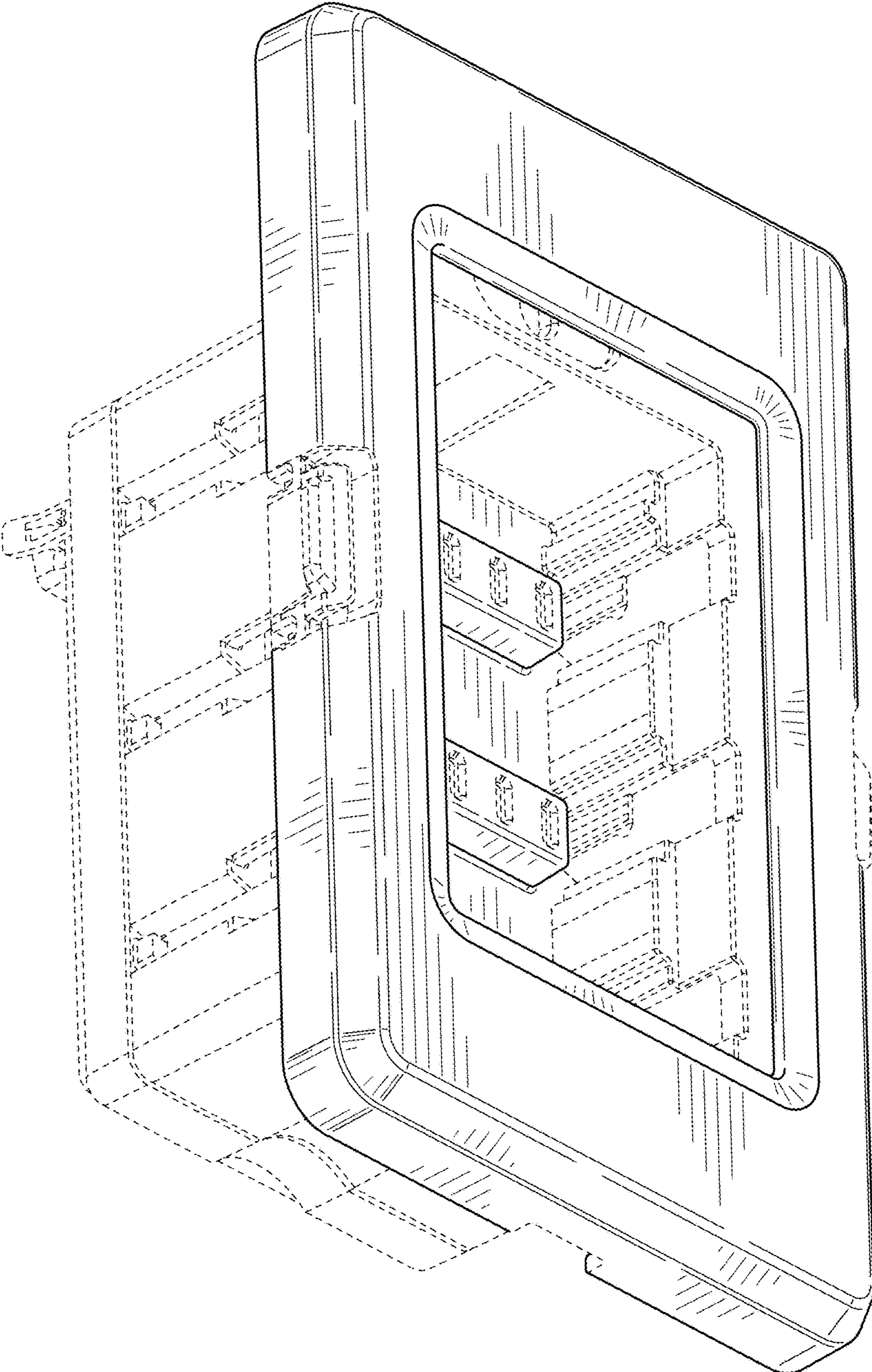


FIG. 2

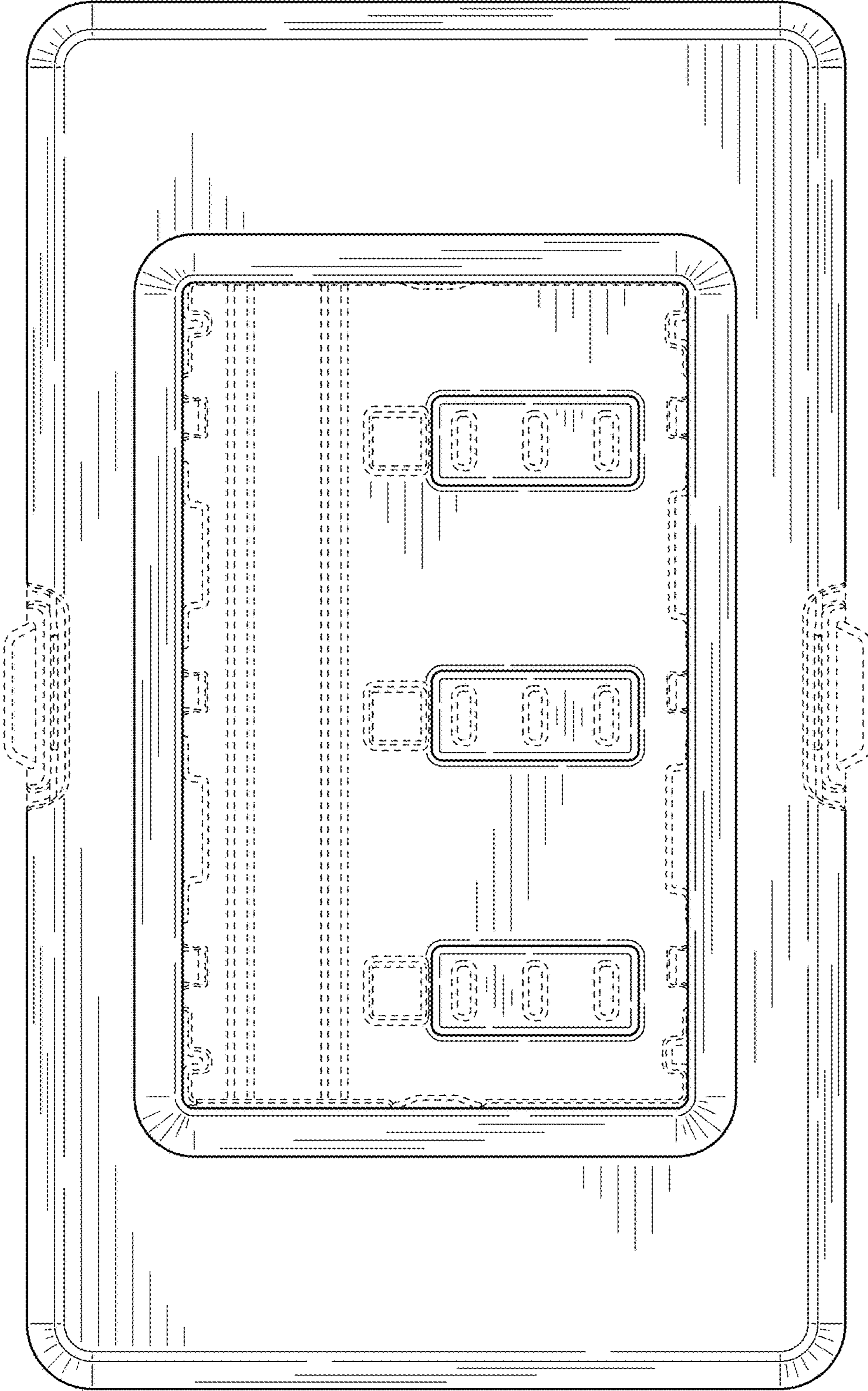


FIG. 3

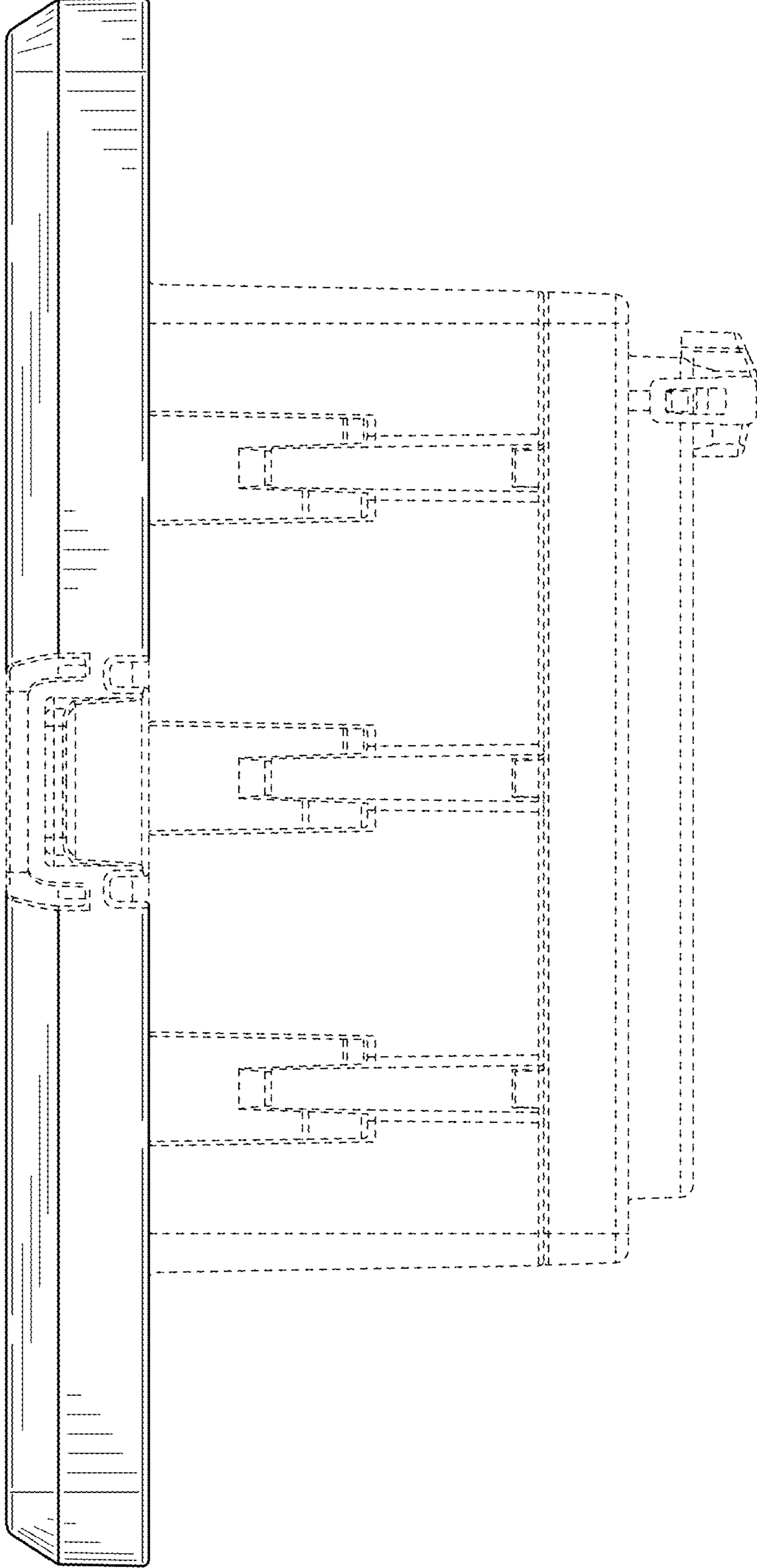


FIG. 4

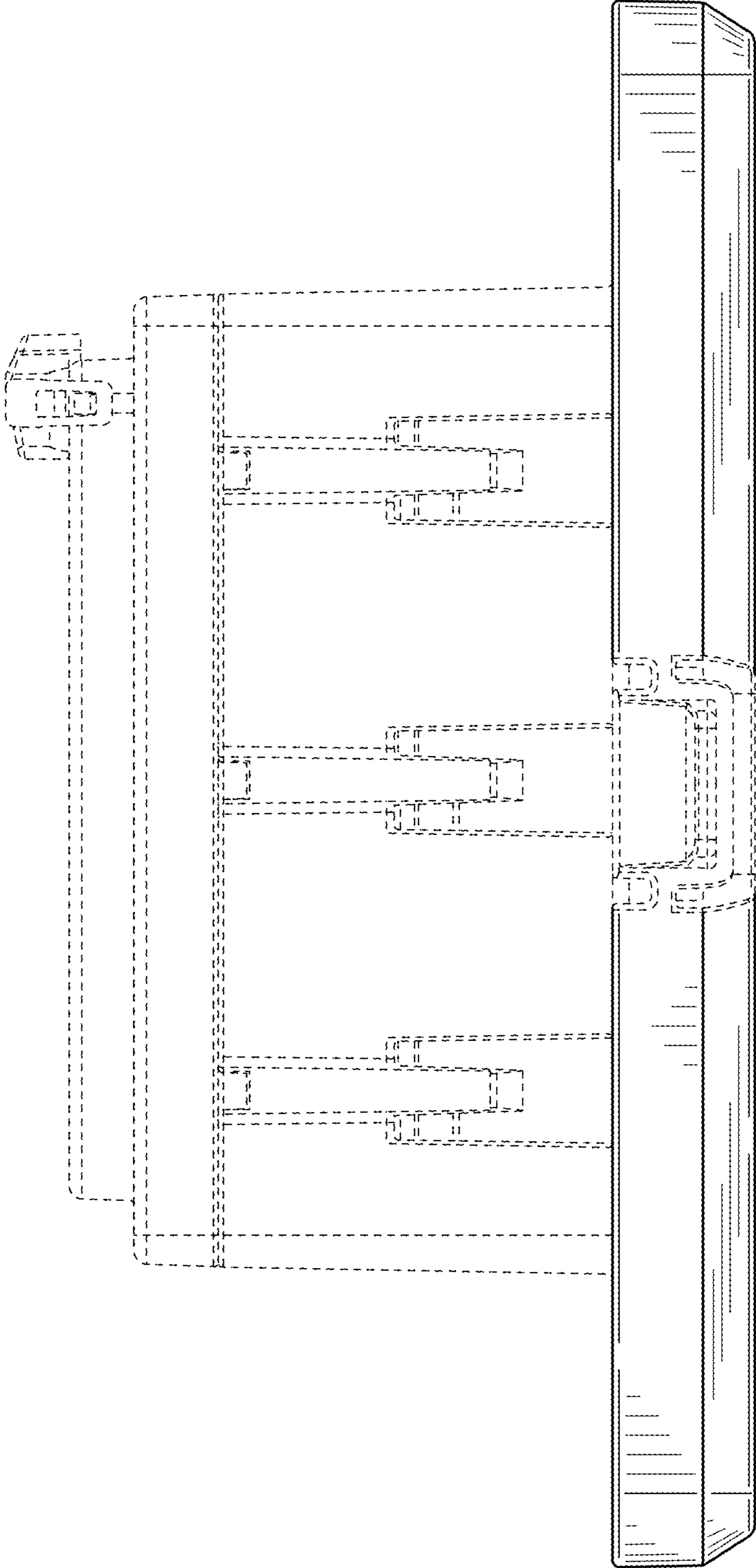


FIG. 5

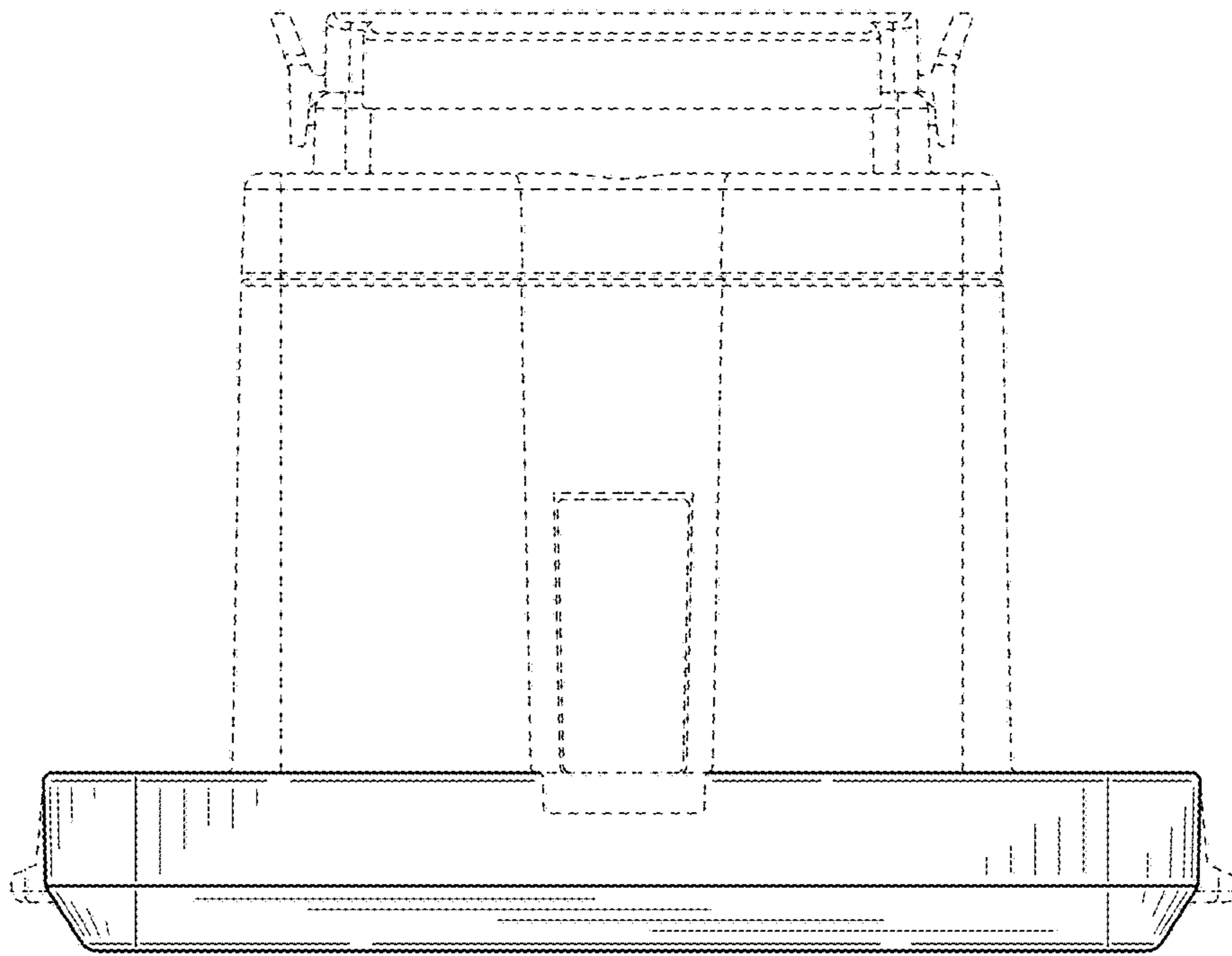


FIG. 6

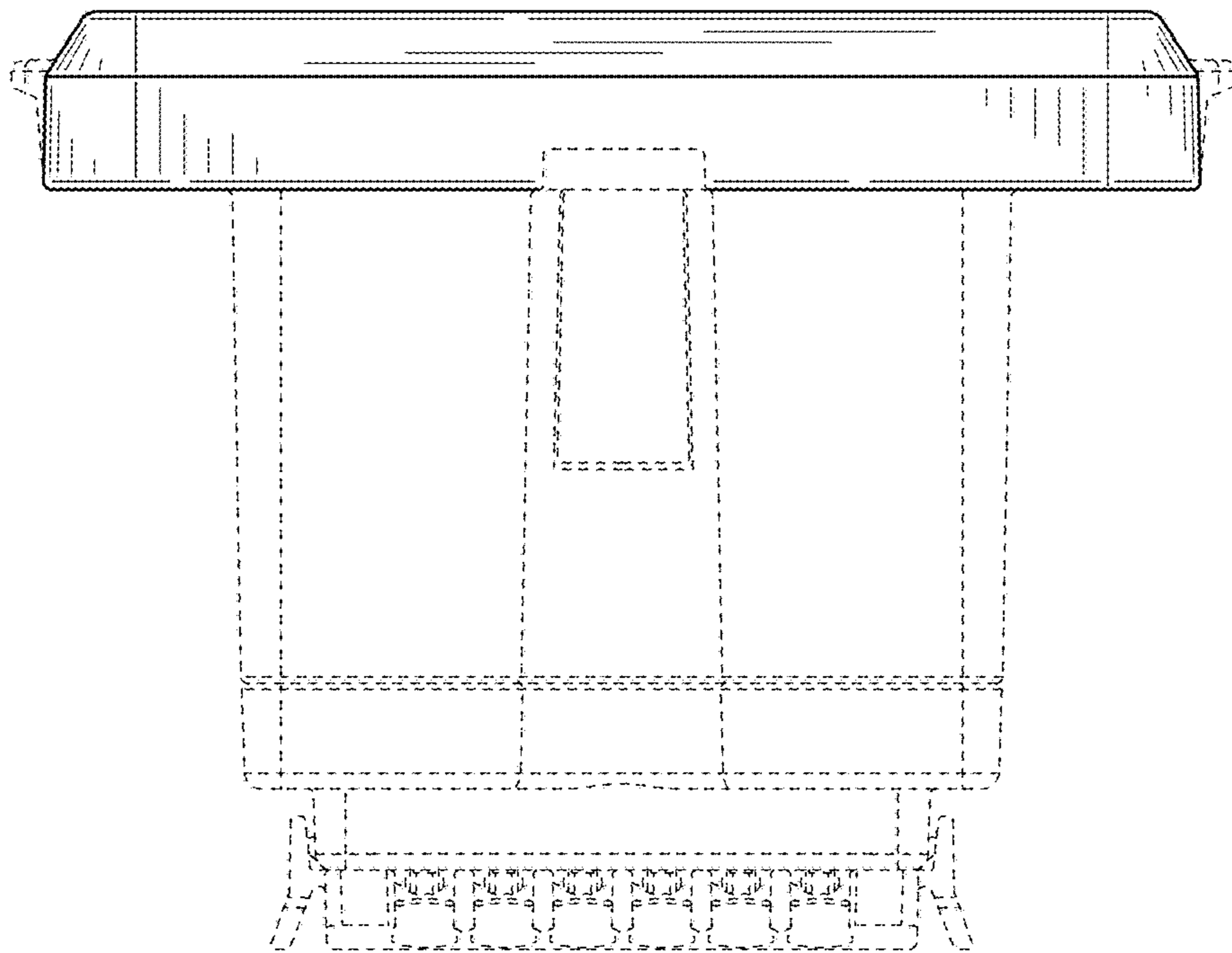


FIG. 7