



US00D811344S

(12) **United States Design Patent**  
**Ozeki**

(10) **Patent No.:** **US D811,344 S**

(45) **Date of Patent:** **\*\* \*Feb. 27, 2018**

(54) **ELECTRICAL CONNECTOR**

(71) Applicant: **DAI-ICHI SEIKO CO., LTD.**,  
Kyoto-shi (JP)

(72) Inventor: **Kosuke Ozeki**, Fukuoka (JP)

(73) Assignee: **DAI-ICHI SEIKO CO., LTD.**,  
Kyoto-shi (JP)

(\*) Notice: This patent is subject to a terminal disclaimer.

(\*\*) Term: **15 Years**

(21) Appl. No.: **29/556,693**

(22) Filed: **Mar. 2, 2016**

(30) **Foreign Application Priority Data**

Sep. 9, 2015 (JP) ..... 2015-019994

(51) **LOC (11) Cl.** ..... **13-03**

(52) **U.S. Cl.**  
USPC ..... **D13/147**

(58) **Field of Classification Search**

USPC ..... D13/120, 133, 146, 147, 154, 184, 199;  
D14/432, 433, 435, 435.1, 436, 437, 438  
CPC ..... H01R 12/51; H01R 12/52; H01R 12/592;  
H01R 12/61; H01R 12/70; H01R  
12/7005; H01R 12/71; H01R 12/72;  
H01R 12/73; H01R 12/732; H01R  
12/737; H01R 12/77; H01R 12/774;  
H01R 12/777; H01R 12/778; H01R  
12/79; H01R 13/516

See application file for complete search history.

(56) **References Cited**

**U.S. PATENT DOCUMENTS**

D642,535 S \* 8/2011 Sato ..... D13/147  
D688,210 S \* 8/2013 Mashiyama ..... D13/147

D721,040 S \* 1/2015 Watanabe ..... D13/147  
D739,826 S \* 9/2015 Omodachi ..... D13/147  
D774,463 S \* 12/2016 Omodachi ..... D13/147

**FOREIGN PATENT DOCUMENTS**

JP 1231572 2/2005  
JP 1283855 10/2006  
JP 1286874 11/2006  
JP 1287242 11/2006  
JP 1291649 1/2007  
JP 1418227 7/2011

\* cited by examiner

*Primary Examiner* — Daniel Bui

(74) *Attorney, Agent, or Firm* — Oblon, McClelland,  
Maier & Neustadt, L.L.P.

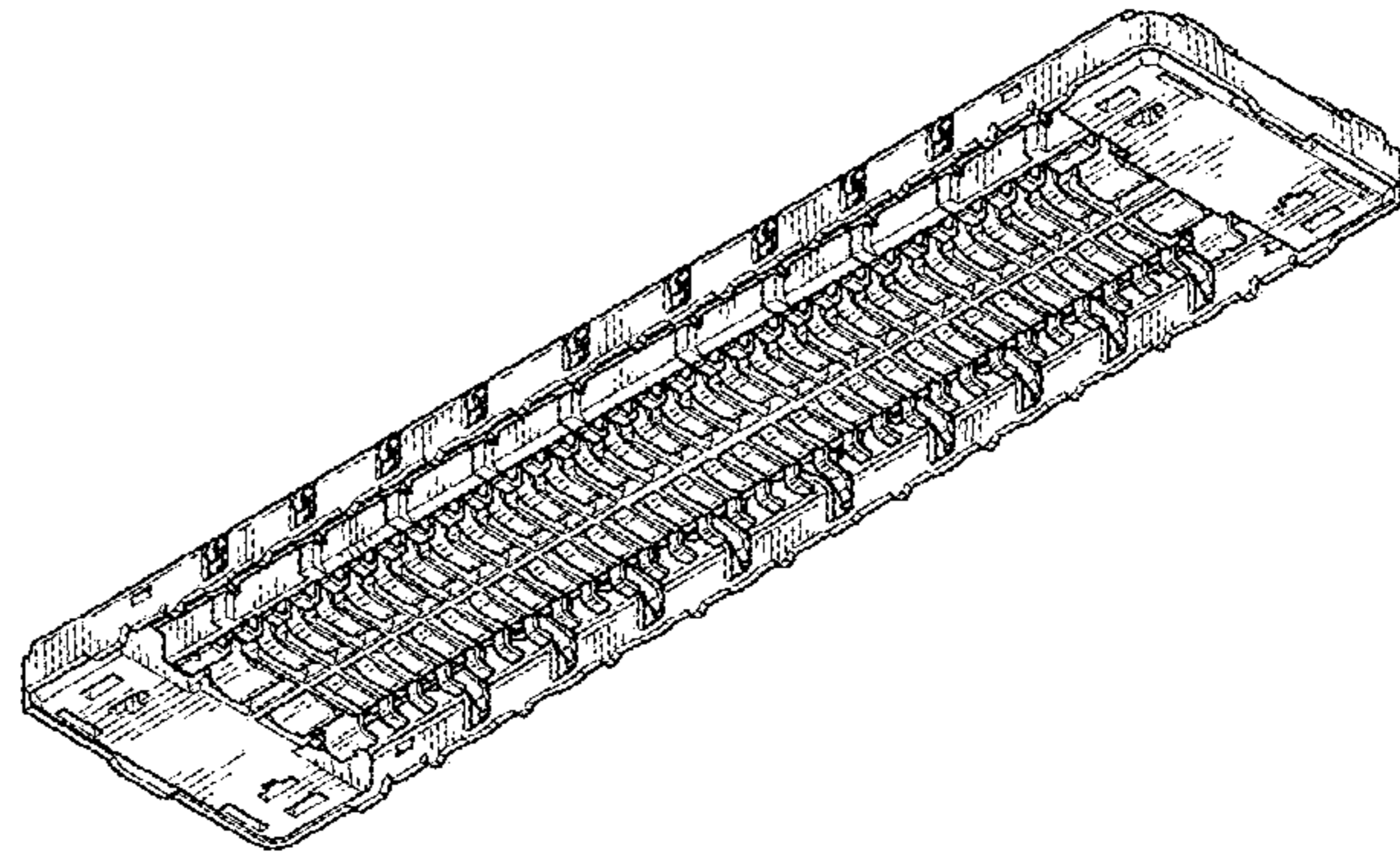
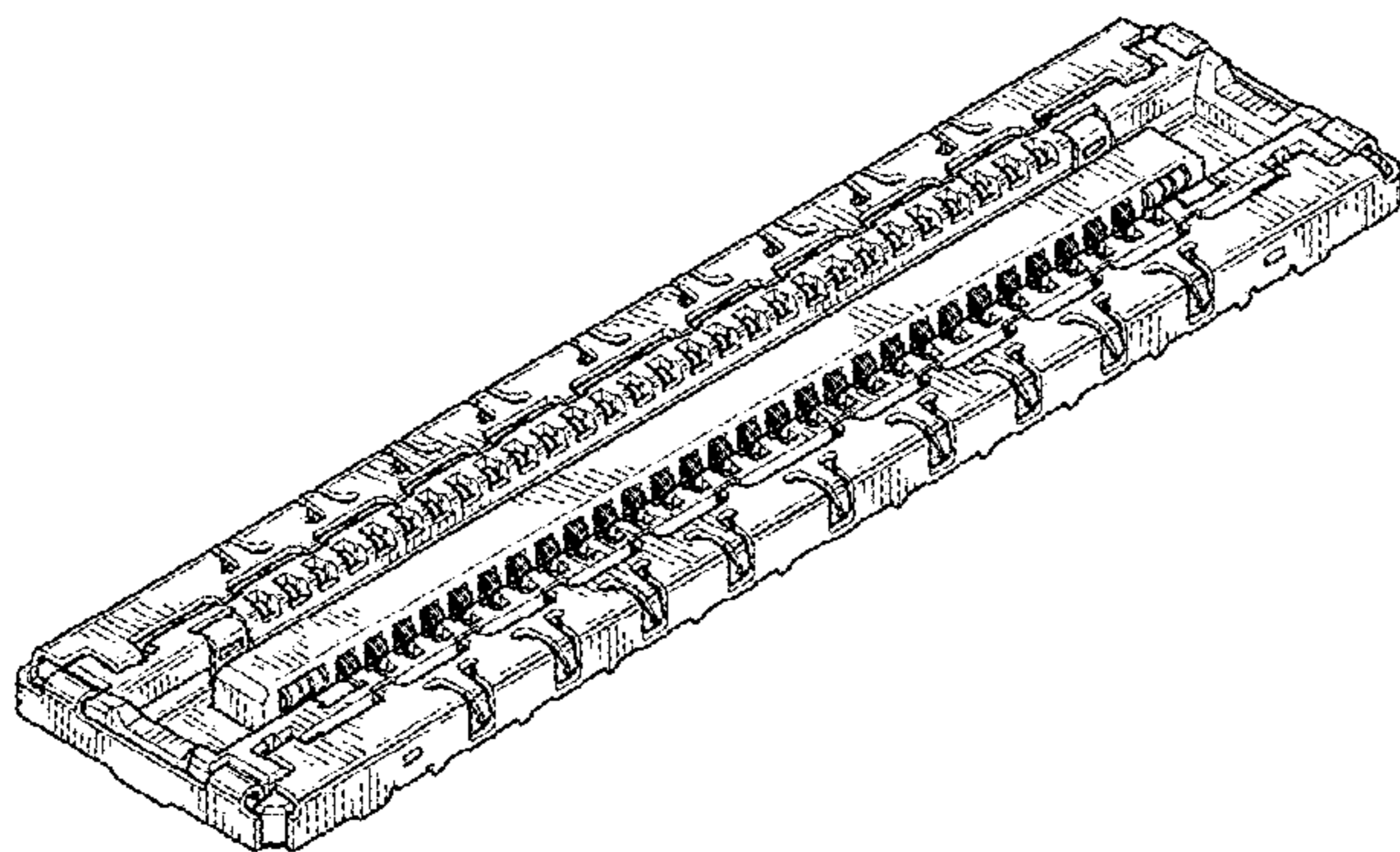
(57) **CLAIM**

I claim the ornamental design for an electrical connector, as shown and described.

**DESCRIPTION**

FIG. 1 is a top plan view of an electrical connector according to my new design;  
FIG. 2 is a front elevational view thereof;  
FIG. 3 is a bottom plan view thereof;  
FIG. 4 is a rear elevational view thereof;  
FIG. 5 is a right side elevational view thereof;  
FIG. 6 is a left side elevational view thereof;  
FIG. 7 is a front, top, and left side perspective view thereof;  
and,  
FIG. 8 is a front, bottom, and right side perspective view thereof.

**1 Claim, 8 Drawing Sheets**





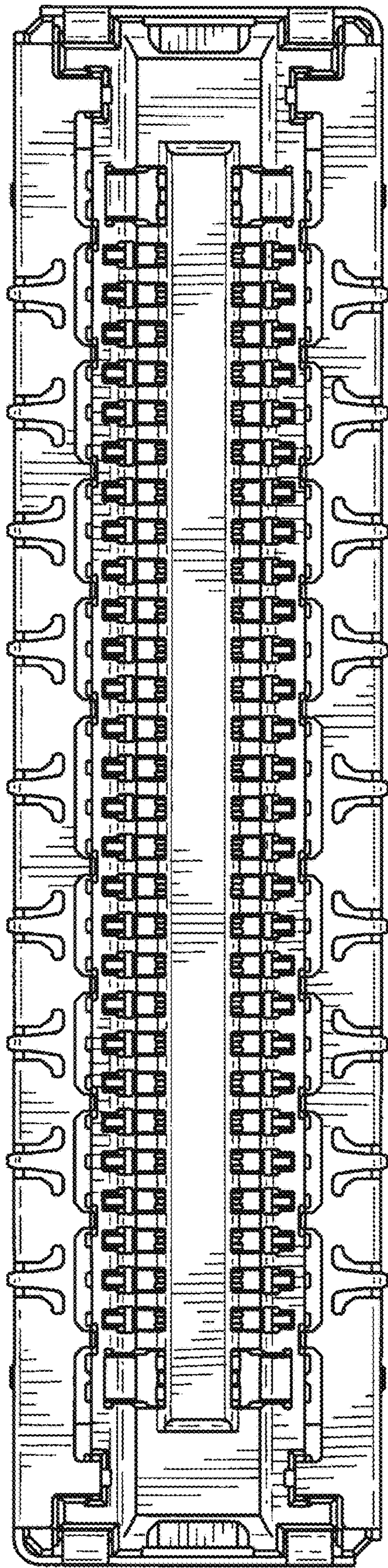


FIG. 1

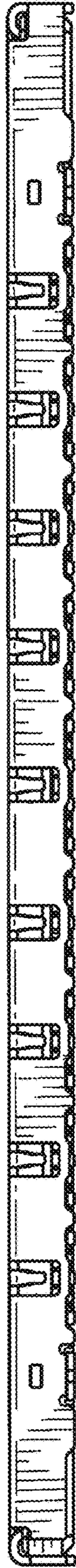


FIG. 2



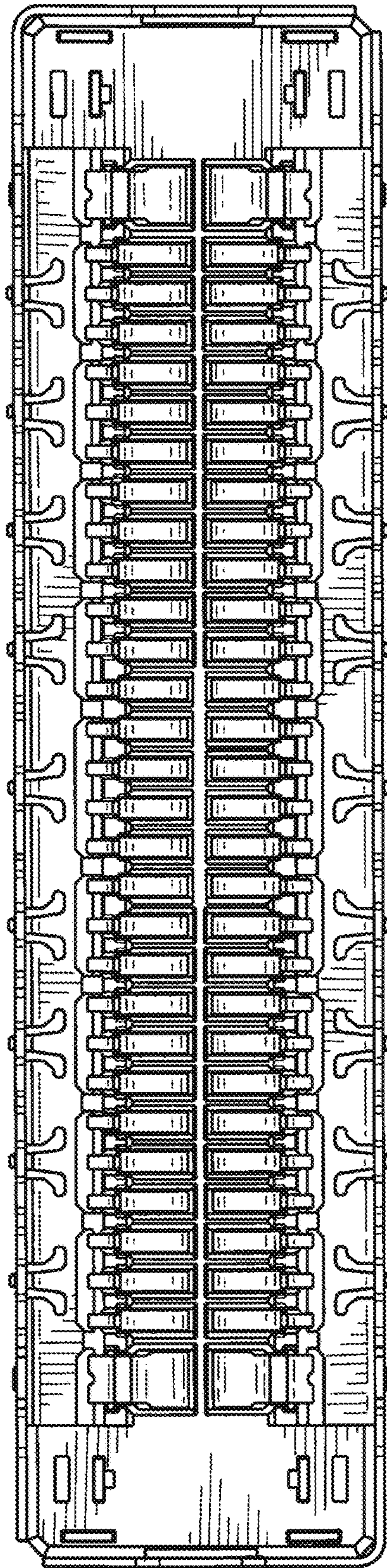


FIG. 3

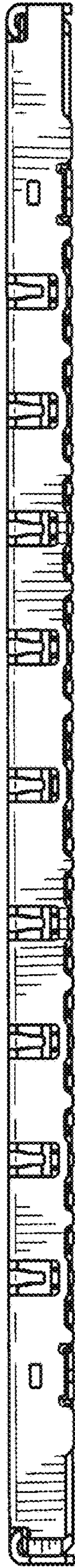


FIG. 4

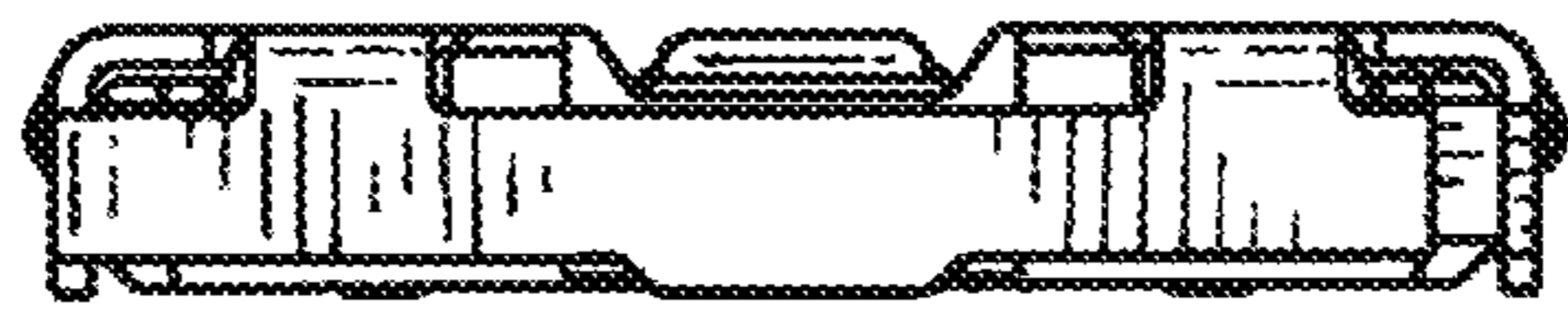


FIG. 5

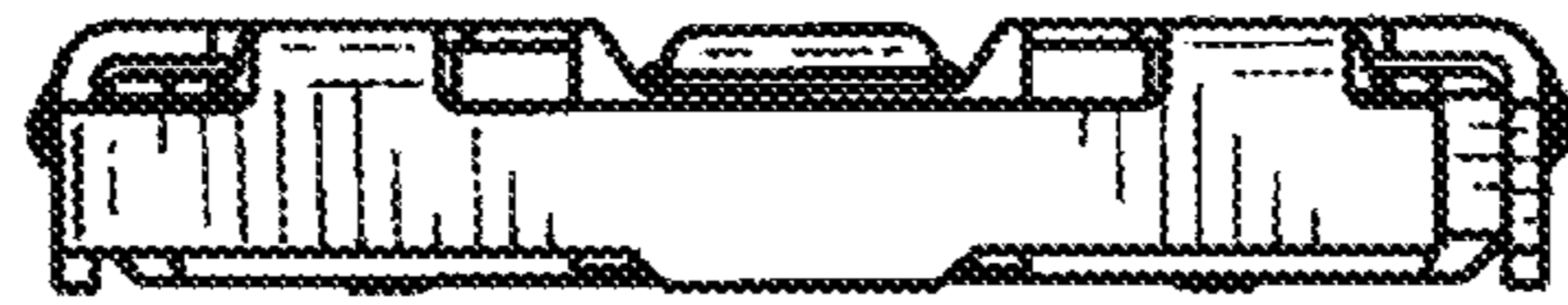


FIG. 6



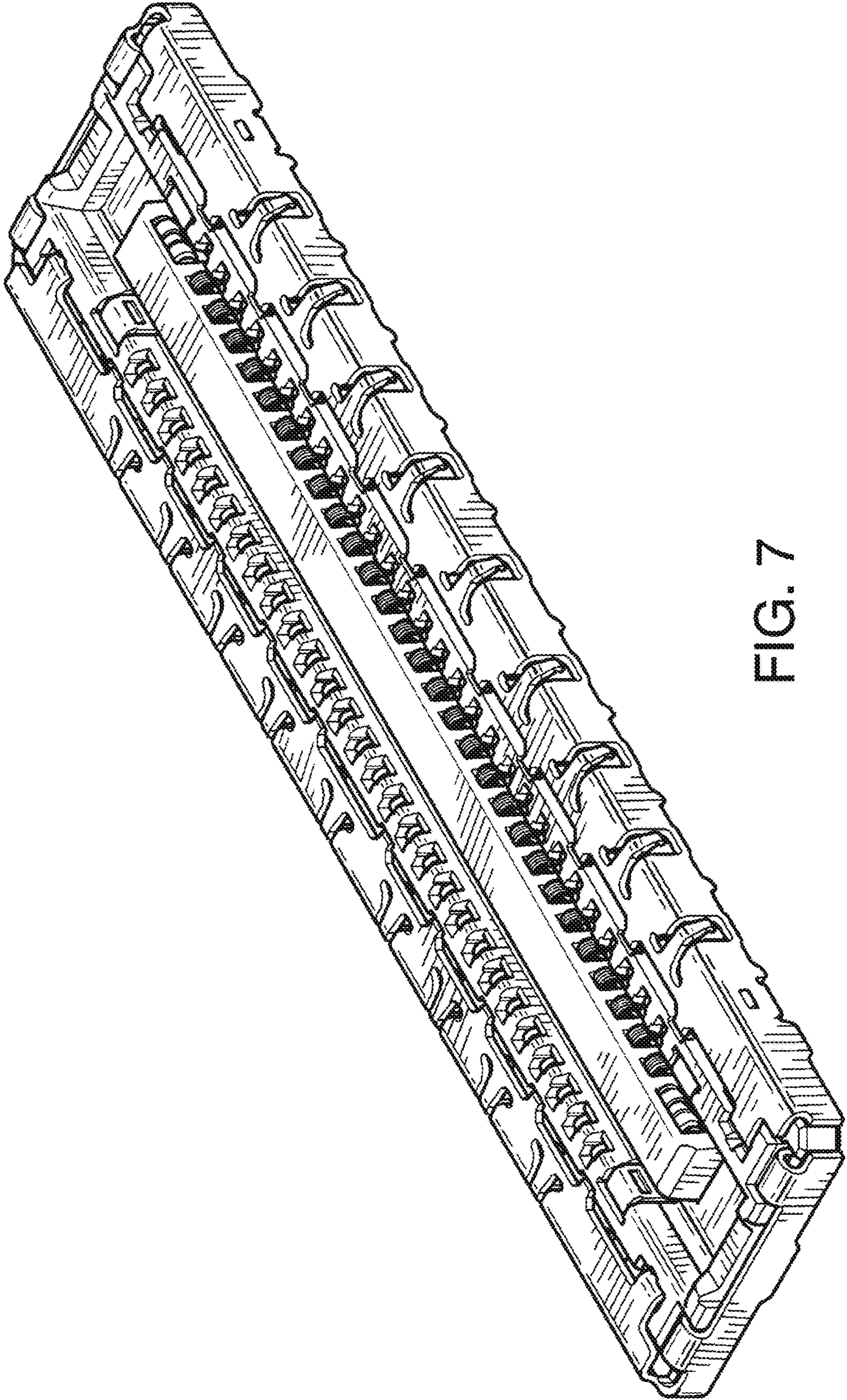


FIG. 7



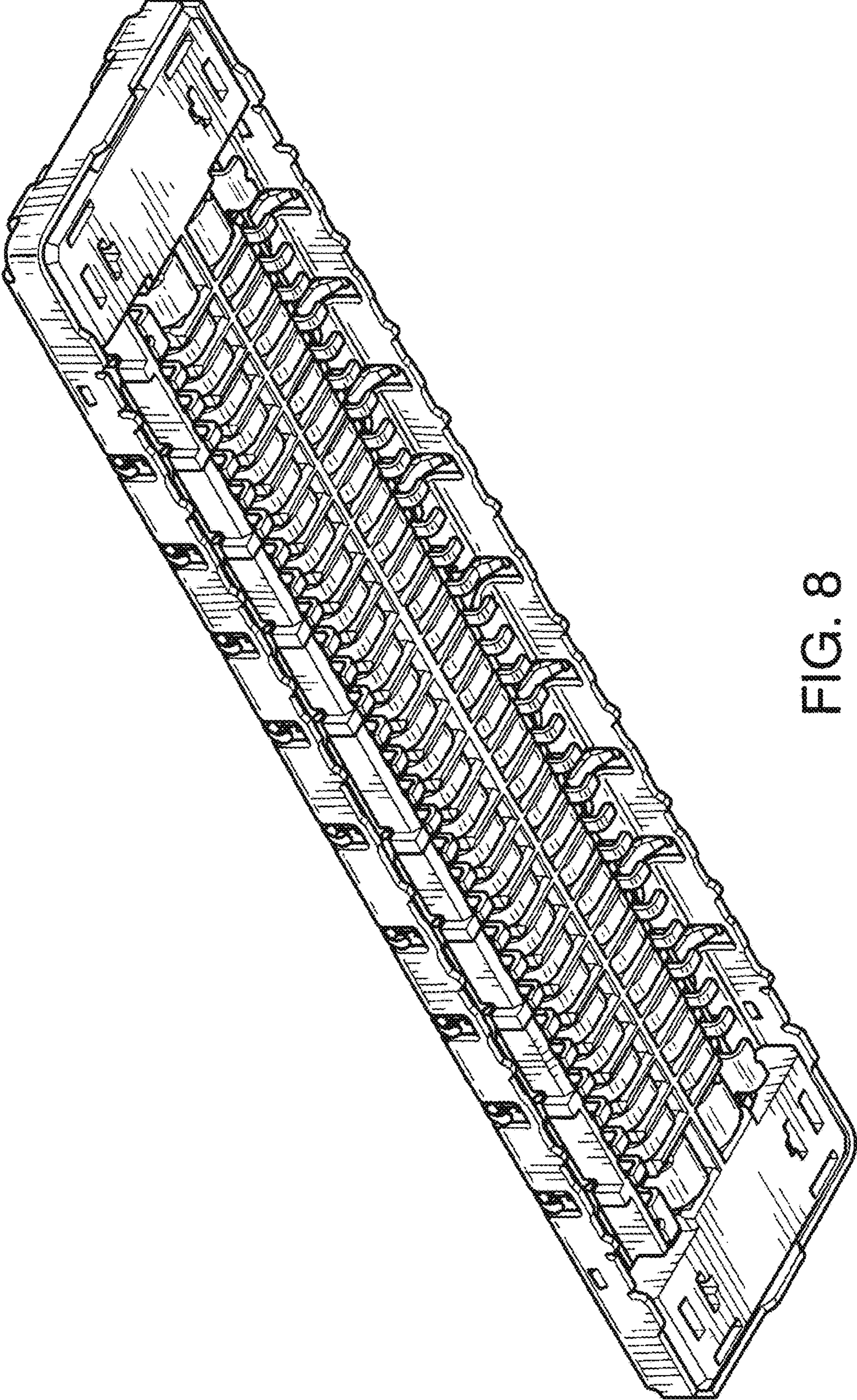


FIG. 8