



US00D811342S

(12) **United States Design Patent**  
**Nakanishi et al.**

(10) **Patent No.:** **US D811,342 S**  
(45) **Date of Patent:** **\*\* Feb. 27, 2018**

(54) **OPTICAL FIBER ARRAY**

FOREIGN PATENT DOCUMENTS

(71) Applicant: **Sumitomo Electric Industries, Ltd.**,  
Osaka-shi (JP)

JP D1130291 S 12/2001  
JP D1512456 S 11/2014

(72) Inventors: **Tetsuya Nakanishi**, Yokohama (JP);  
**Yuuichi Mitose**, Yokohama (JP);  
**Takashi Sasaki**, Yokohama (JP); **Jun Ito**,  
Yokohama (JP); **Takeyuki Ishii**,  
Yokohama (JP); **Toshiki Taru**,  
Yokohama (JP); **Kazunari Hattori**,  
Yokohama (JP); **Naoki Matsushita**,  
Yokohama (JP); **Yasuomi Kaneuchi**,  
Yokohama (JP)

OTHER PUBLICATIONS

Office Action in counterpart Vietnamese Design Patent Application  
No. 3-2015-01638 dated Feb. 14, 2017.

*Primary Examiner* — Daniel Bui  
(74) *Attorney, Agent, or Firm* — Venable LLP; Michael  
A. Sartori; Miguel A. Lopez

(73) Assignee: **Sumitomo Electric Industries, Ltd.**,  
Osaka-shi (JP)

(57) **CLAIM**

The ornamental design for an optical fiber array, as shown  
and described.

(\*\*) Term: **15 Years**

**DESCRIPTION**

(21) Appl. No.: **29/540,590**

FIG. 1 is a front elevation view of an optical fiber array  
showing our new design,  
FIG. 2 is a rear elevation view thereof.  
FIG. 3 is a top plan view thereof.  
FIG. 4 is a bottom plan view thereof.  
FIG. 5 is a right side elevation view thereof.  
FIG. 6 is a left side elevation view thereof.  
FIG. 7 is a top perspective view thereof.  
FIG. 8 is an enlarged view thereof, taken along line “8-8” of  
FIG. 1.  
FIG. 9 is an enlarged view thereof, taken along line “9-9” of  
FIG. 3.  
FIG. 10 is an enlarged view thereof, taken along line  
“10-10” of FIG. 4.  
FIG. 11 is an enlarged view thereof, taken along line “11-11”  
of FIG. 7.  
FIG. 12 is an enlarged right side elevation view thereof.  
FIG. 13 is an enlarged left side elevation view thereof; and,  
FIG. 14 is a top perspective view thereof, in use condition.  
The broken line shown in the drawing views represents  
unclaimed environmental only and forms no part of the  
claimed design.

(22) Filed: **Sep. 25, 2015**

(30) **Foreign Application Priority Data**

Mar. 25, 2015 (JP) ..... 2015-006455  
Jun. 23, 2015 (JP) ..... 2015-013844

(51) **LOC (11) Cl.** ..... **13-03**

(52) **U.S. Cl.**  
USPC ..... **D13/147**

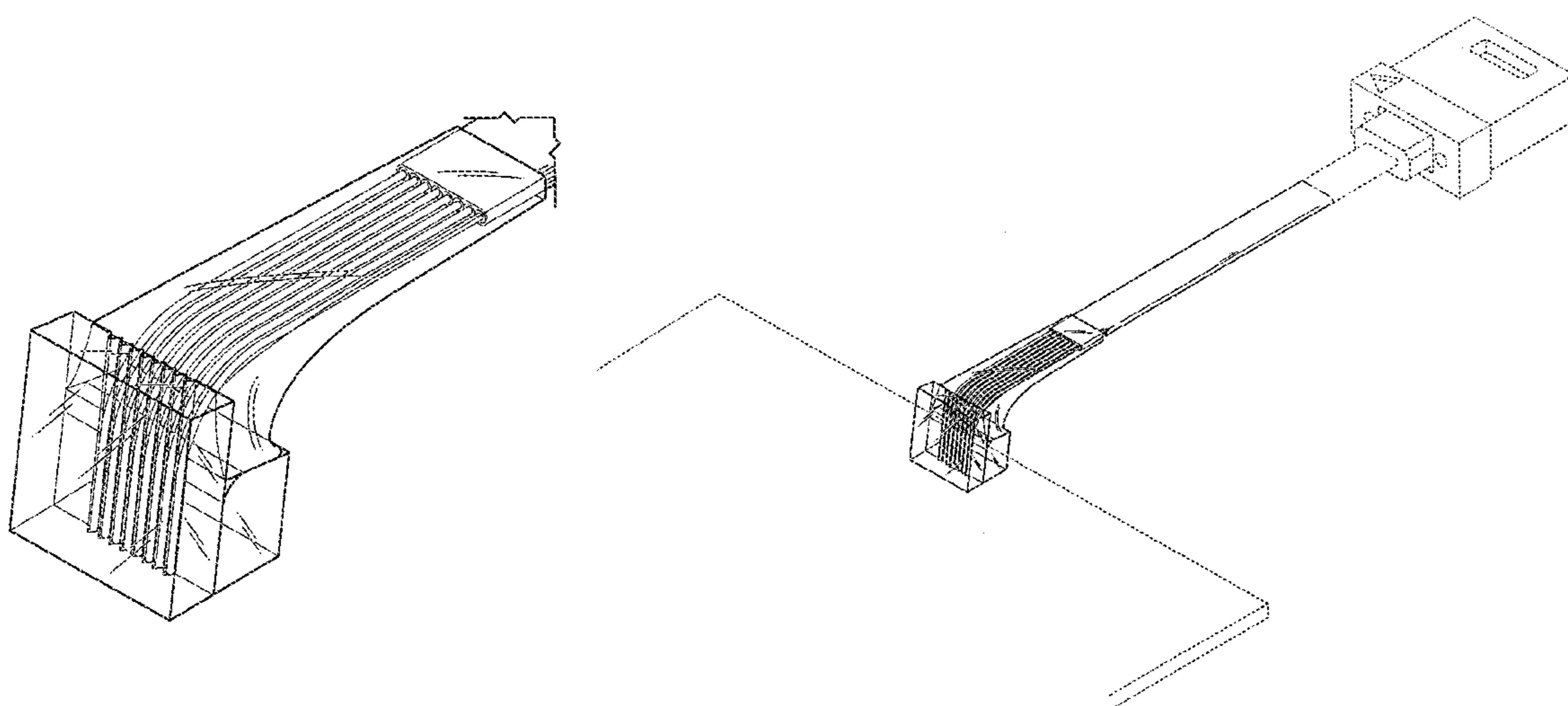
(58) **Field of Classification Search**  
USPC ..... D13/133, 146, 147, 154, 184, 199  
(Continued)

(56) **References Cited**

U.S. PATENT DOCUMENTS

D777,681 S \* 1/2017 Okamoto ..... D13/154  
D778,840 S \* 2/2017 Okamoto ..... D13/154  
(Continued)

**1 Claim, 14 Drawing Sheets**



(58) **Field of Classification Search**

CPC ... G02B 6/24; G02B 6/32; G02B 6/36; G02B  
6/38; G02B 6/42; G02B 6/44; G02B 6/46  
See application file for complete search history.

(56) **References Cited**

U.S. PATENT DOCUMENTS

D788,042 S *	5/2017	Okamoto .....	D13/147
2015/0226924 A1 *	8/2015	McColloch .....	G02B 6/3885
			385/59
2015/0234126 A1 *	8/2015	Haase .....	G02B 6/389
			385/59
2015/0293317 A1 *	10/2015	Kim .....	G02B 6/423
			385/89
2015/0331201 A1 *	11/2015	Takano .....	G02B 6/3871
			385/71
2016/0161686 A1 *	6/2016	Li .....	G02B 6/4214
			385/92
2016/0291261 A1 *	10/2016	Izumi .....	G02B 6/4243

\* cited by examiner

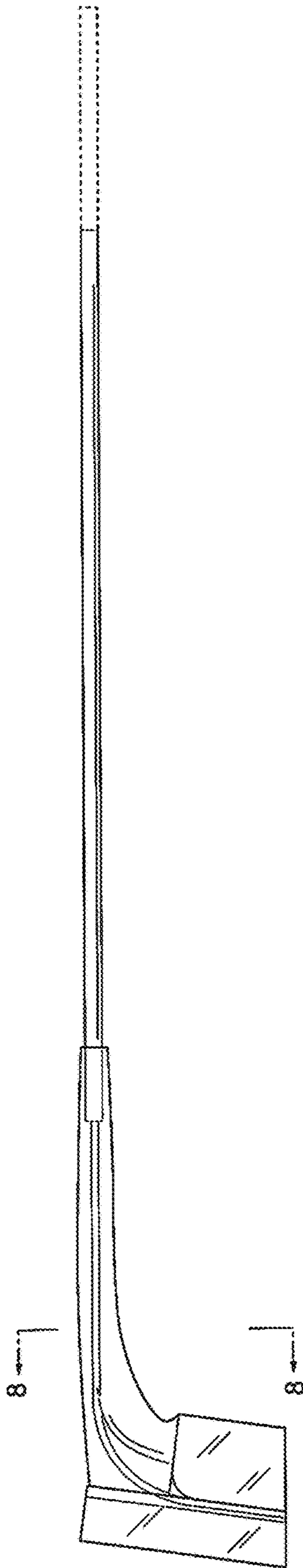


FIG. 1

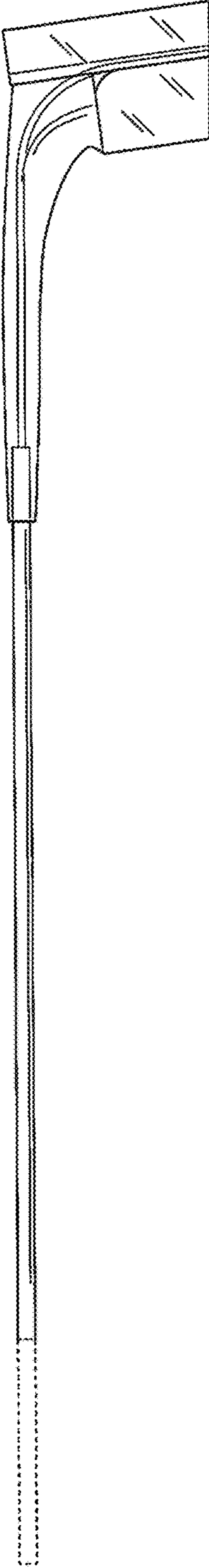


FIG. 2

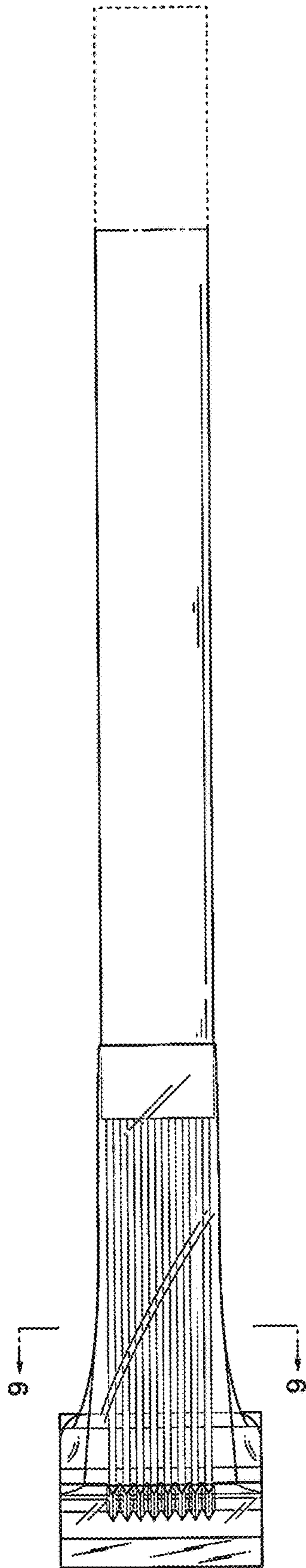


FIG. 3

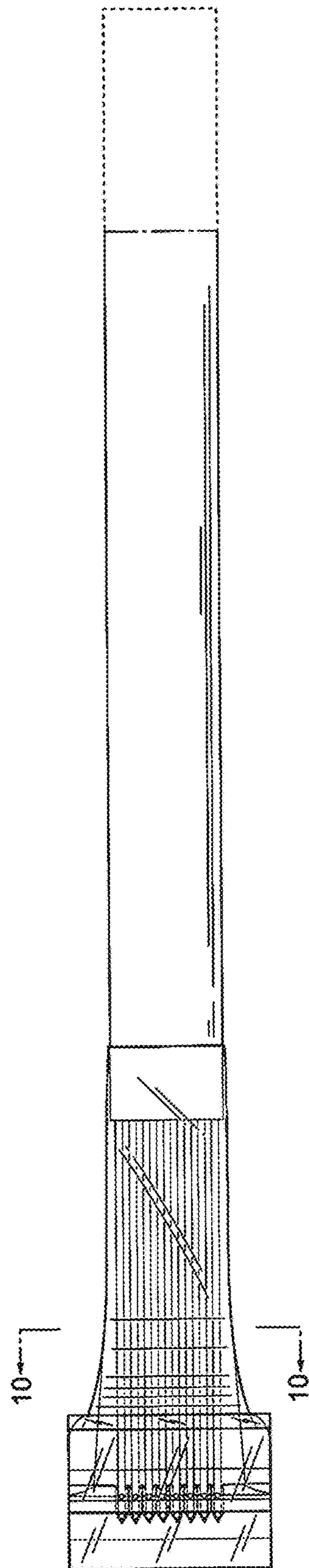


FIG. 4



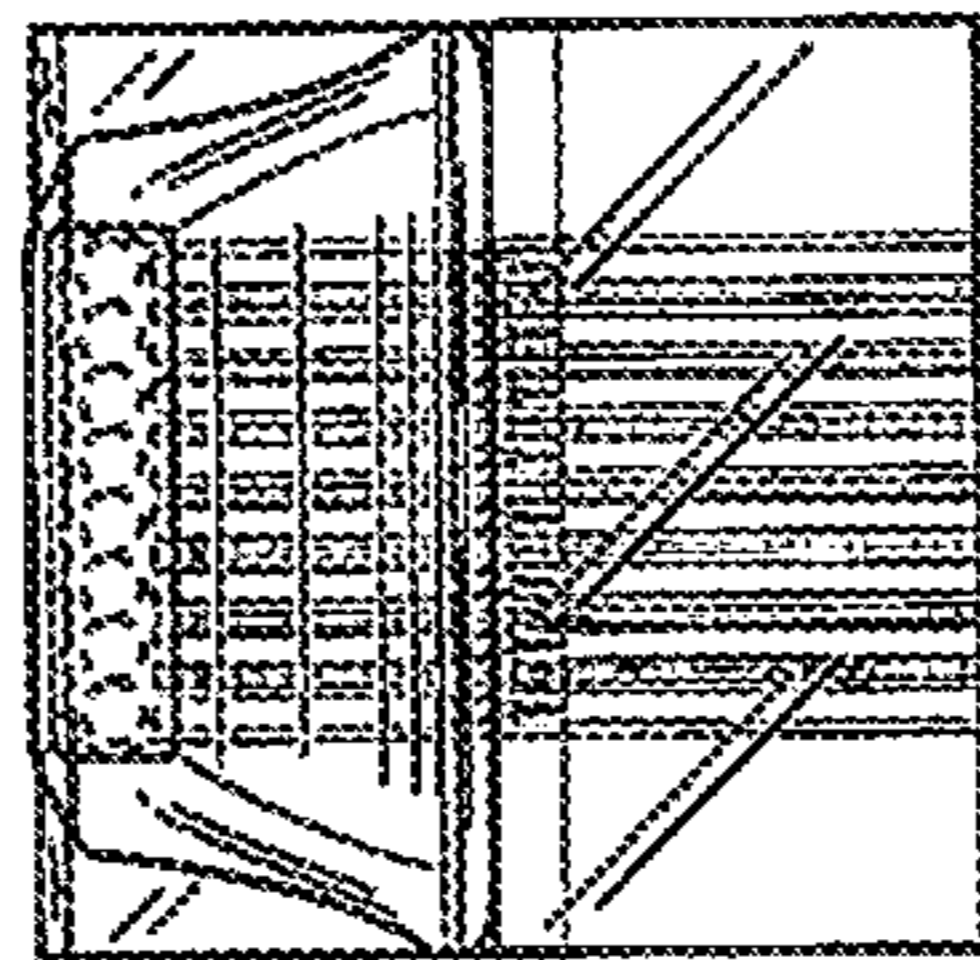


FIG. 5

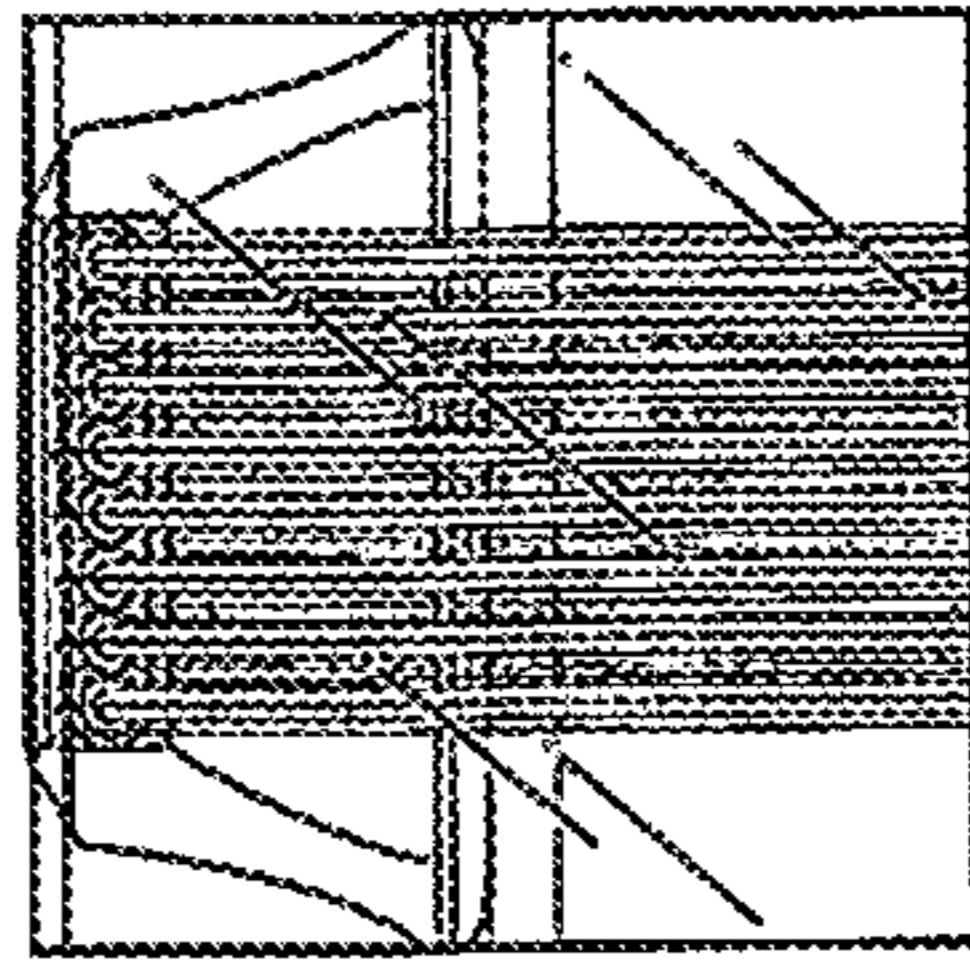


FIG. 6



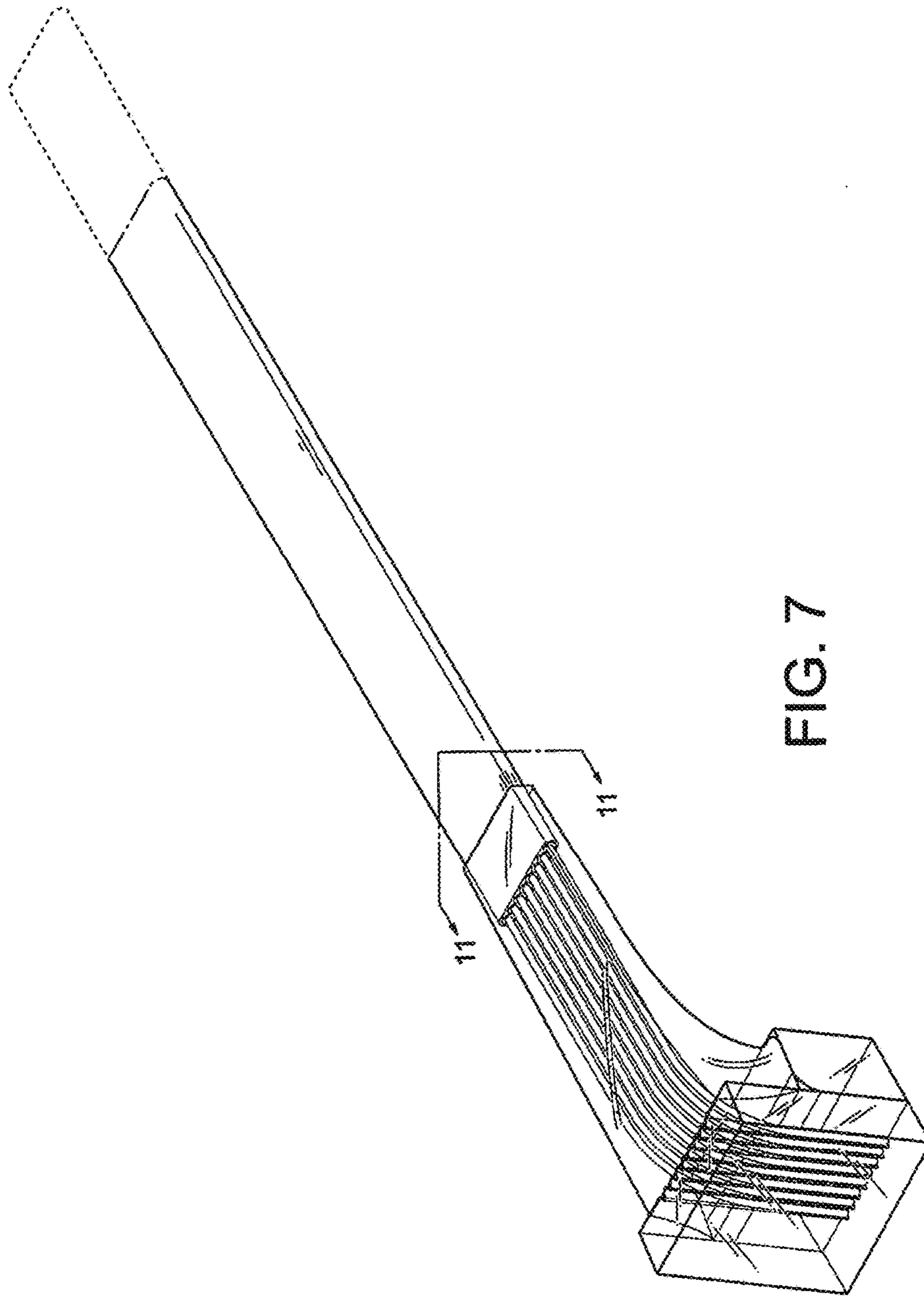


FIG. 7

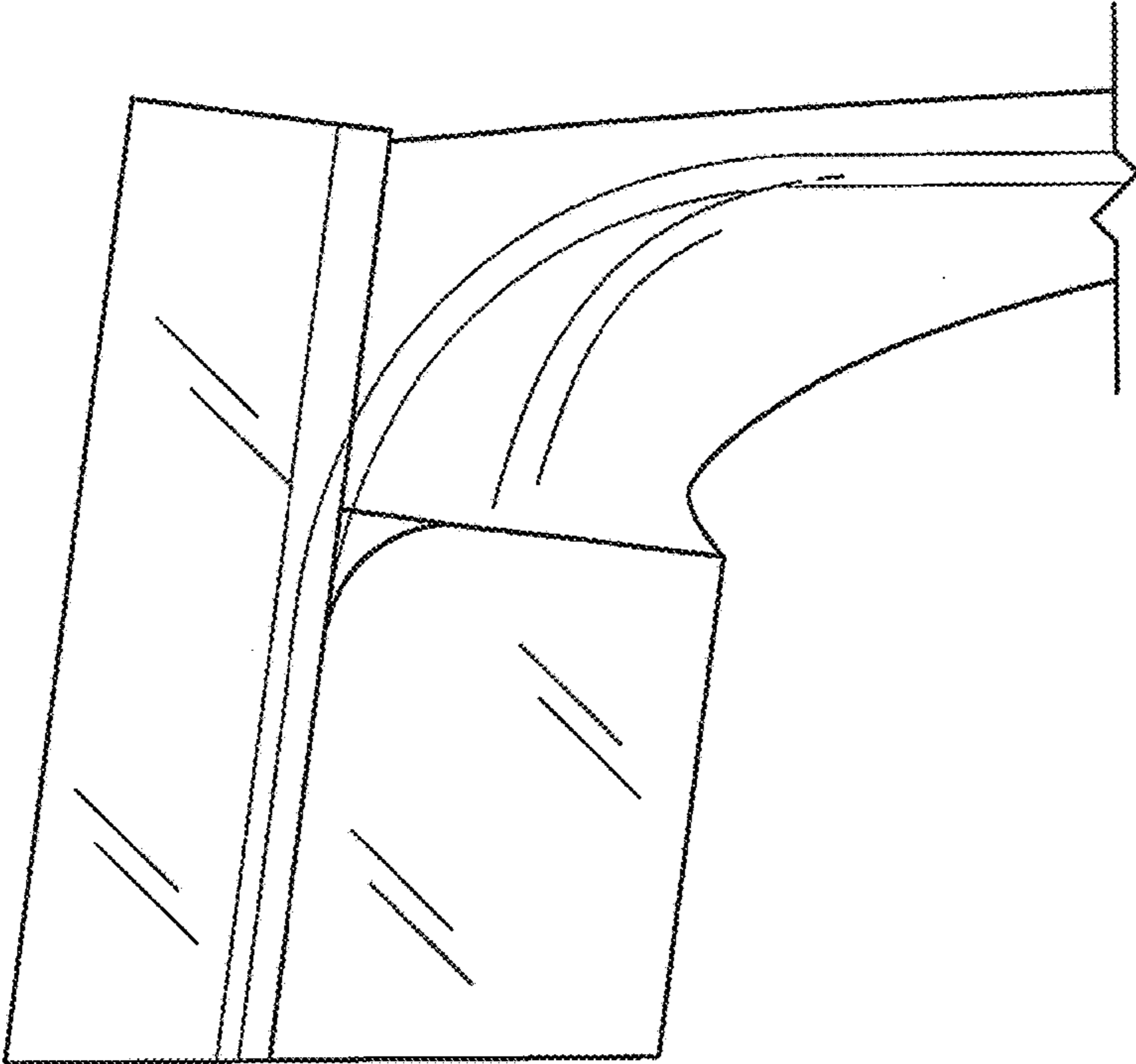


FIG. 8

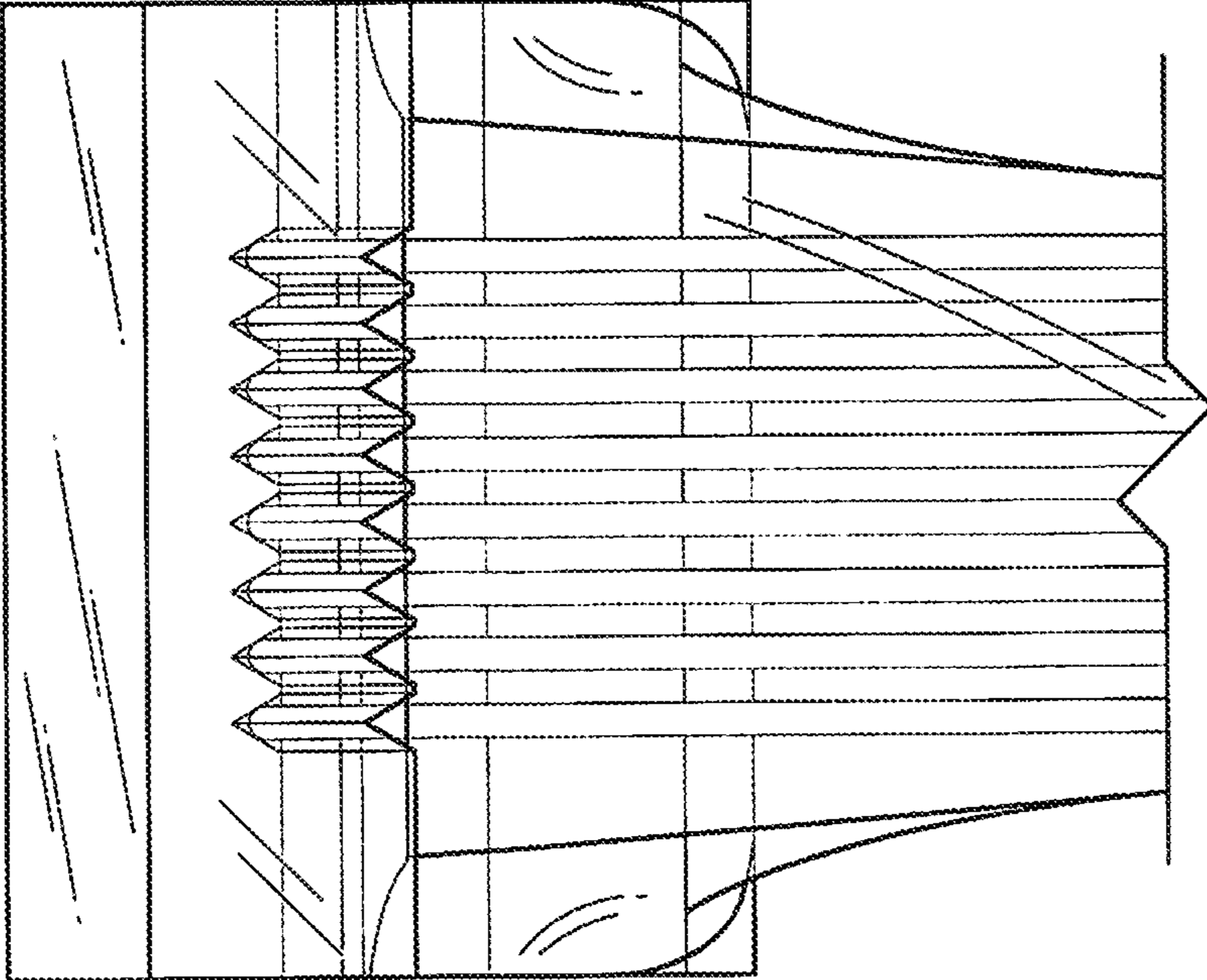


FIG. 9

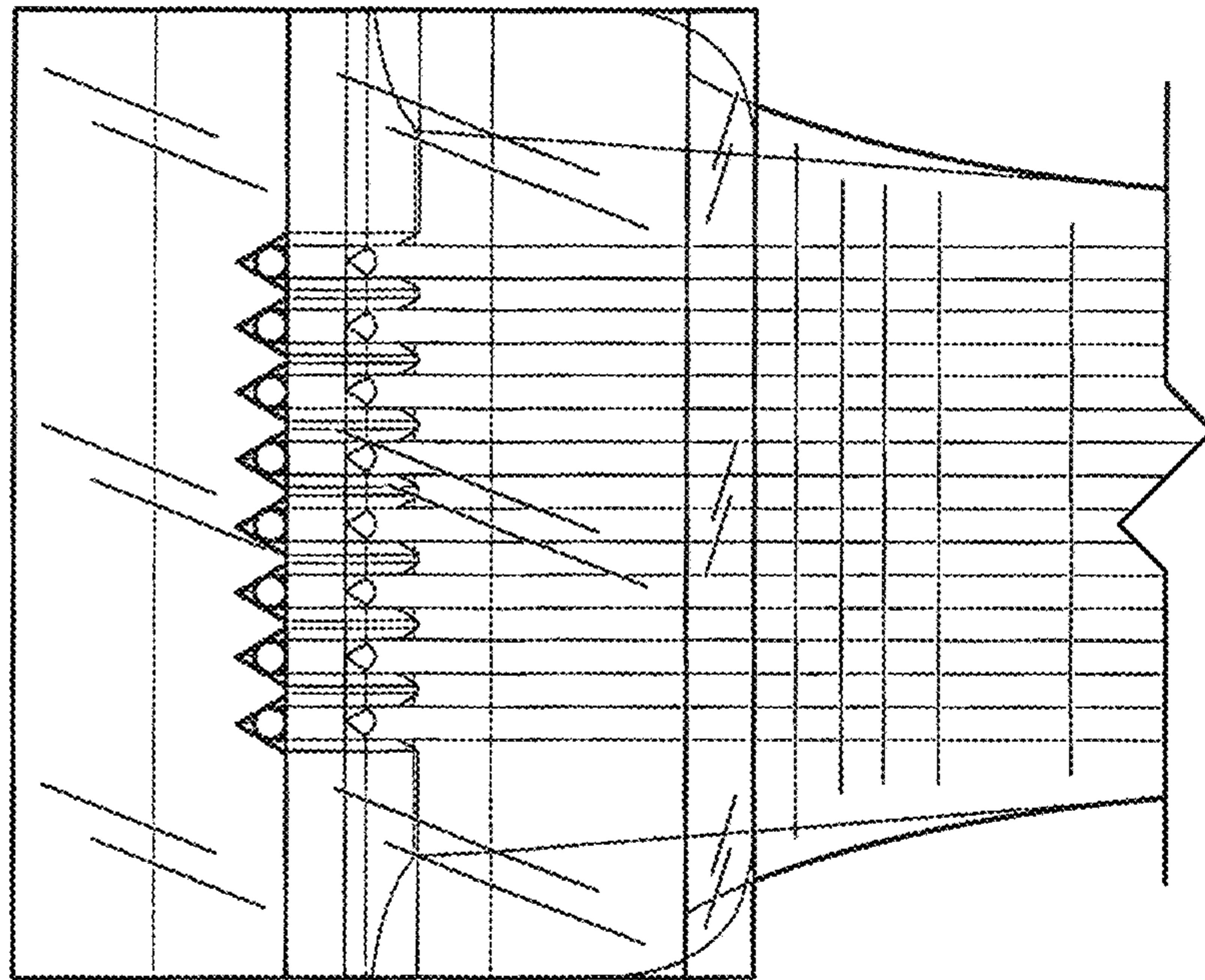


FIG. 10

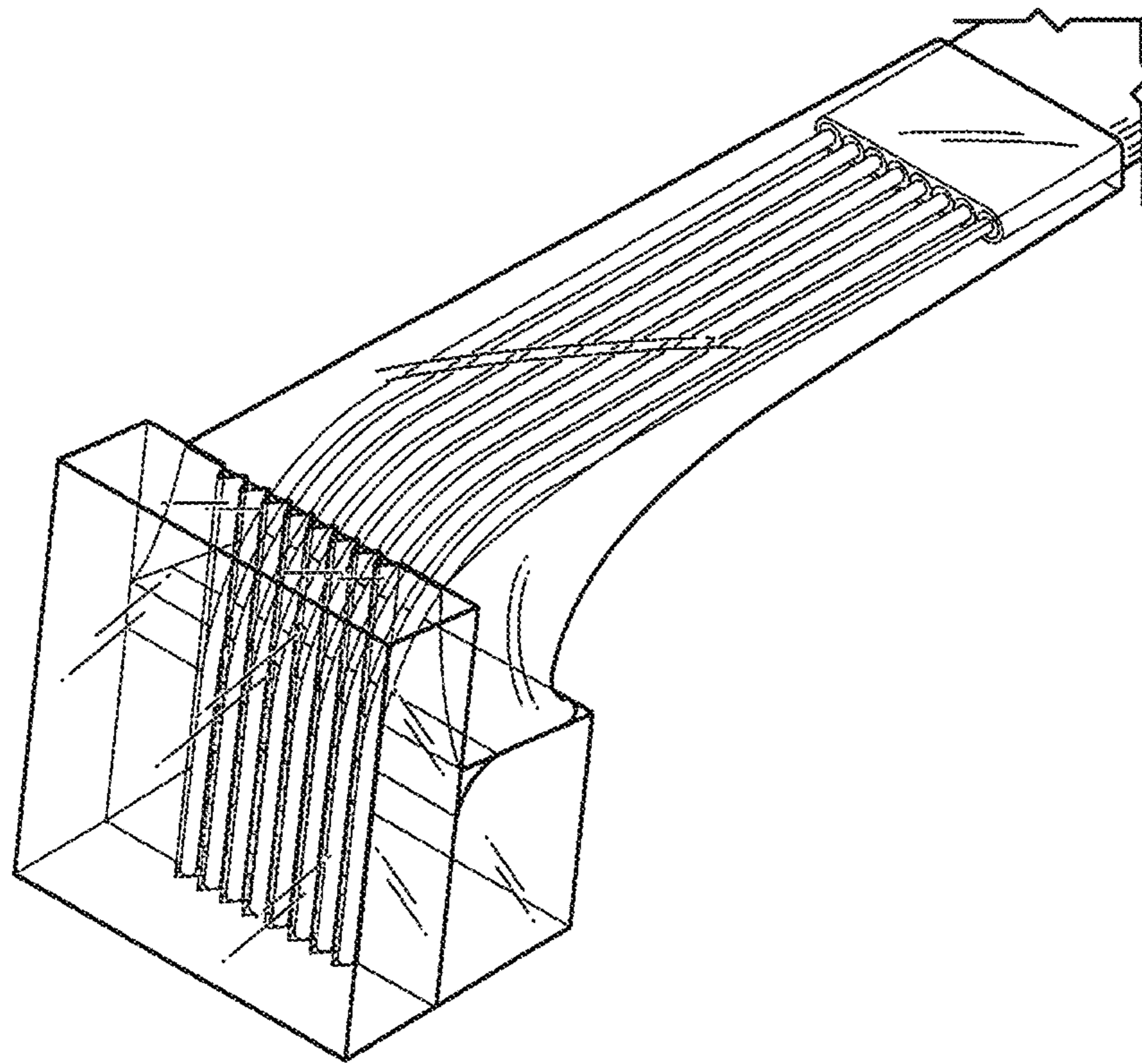


FIG. 11



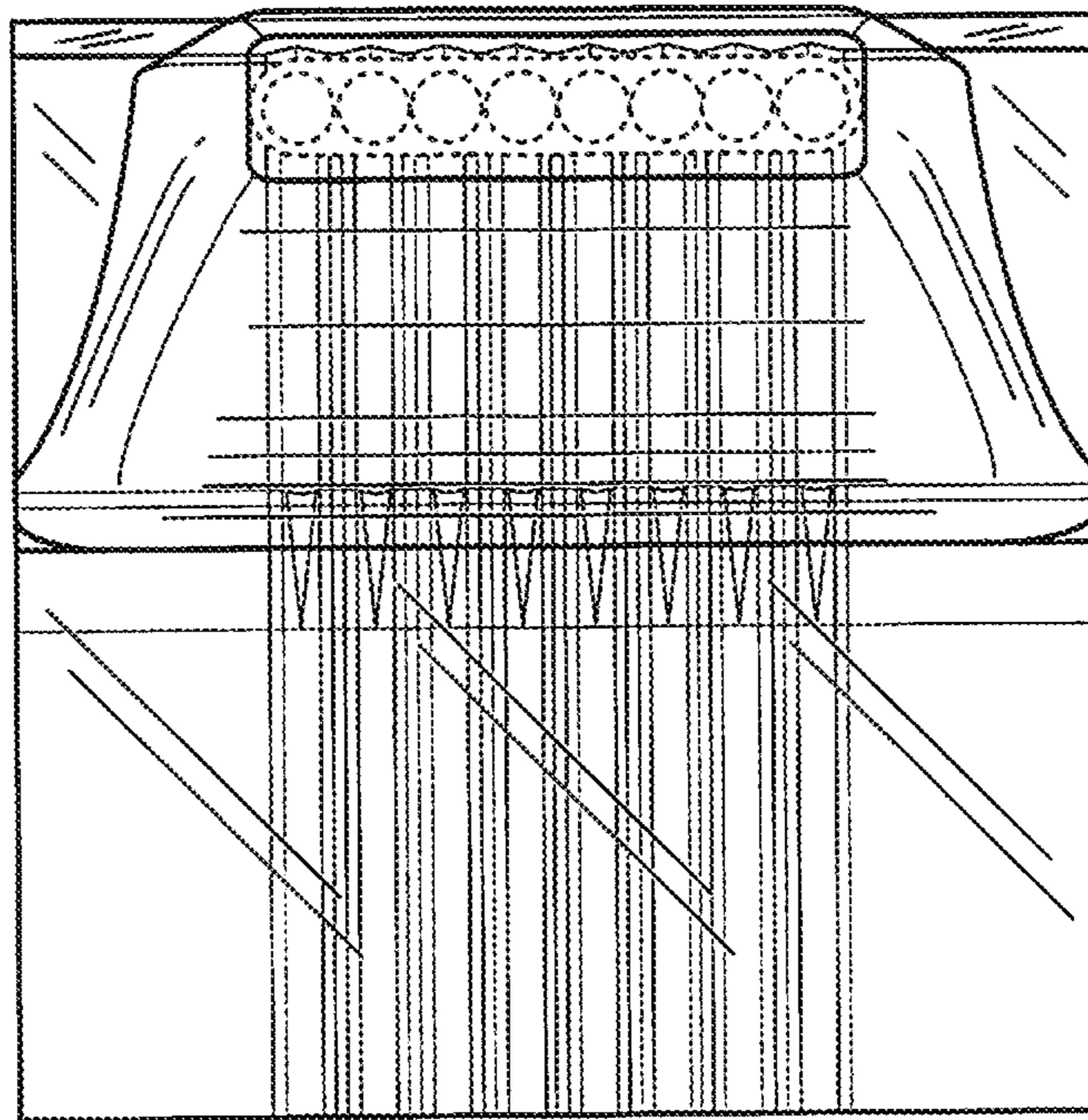


FIG. 12

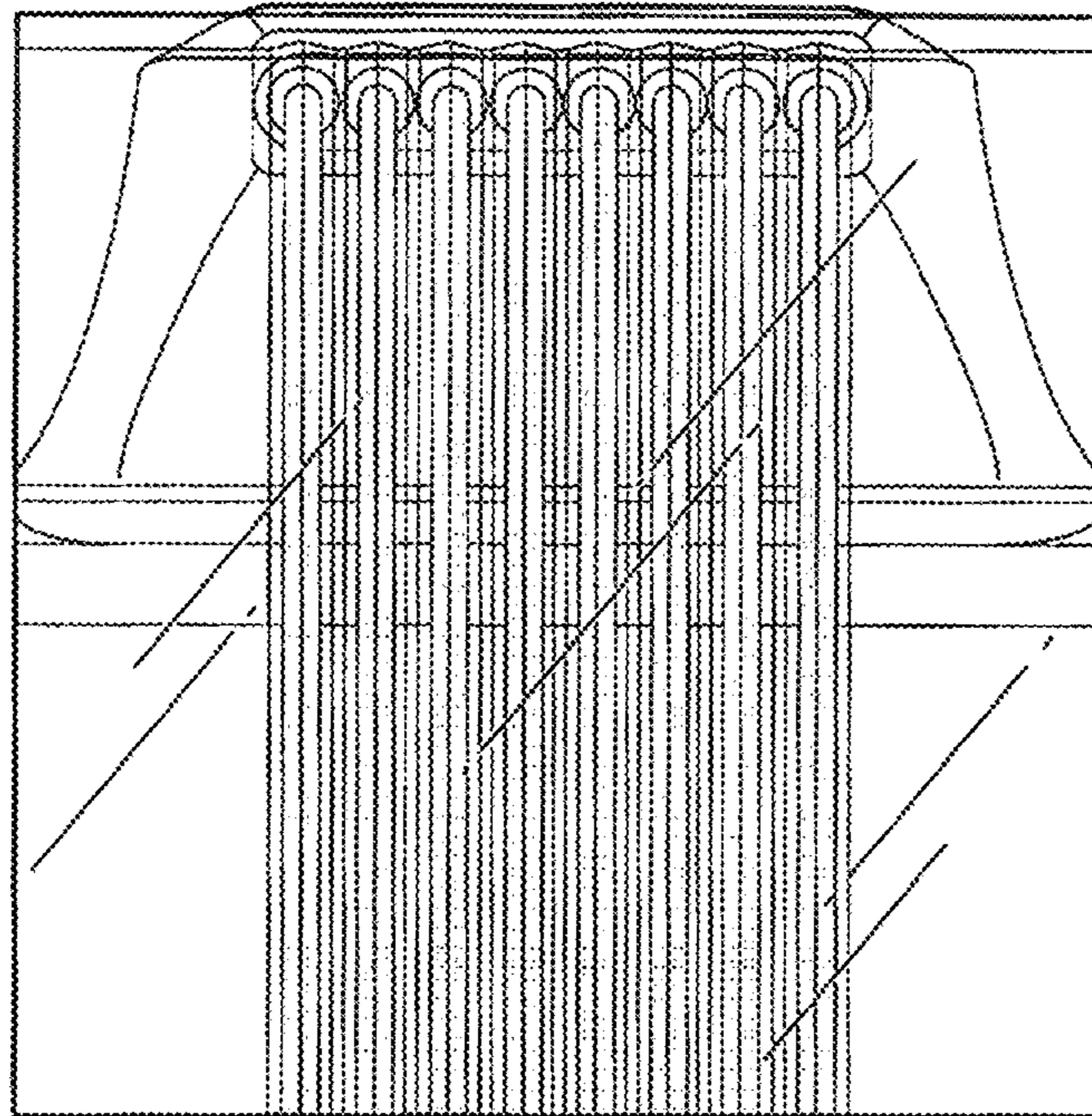


FIG. 13



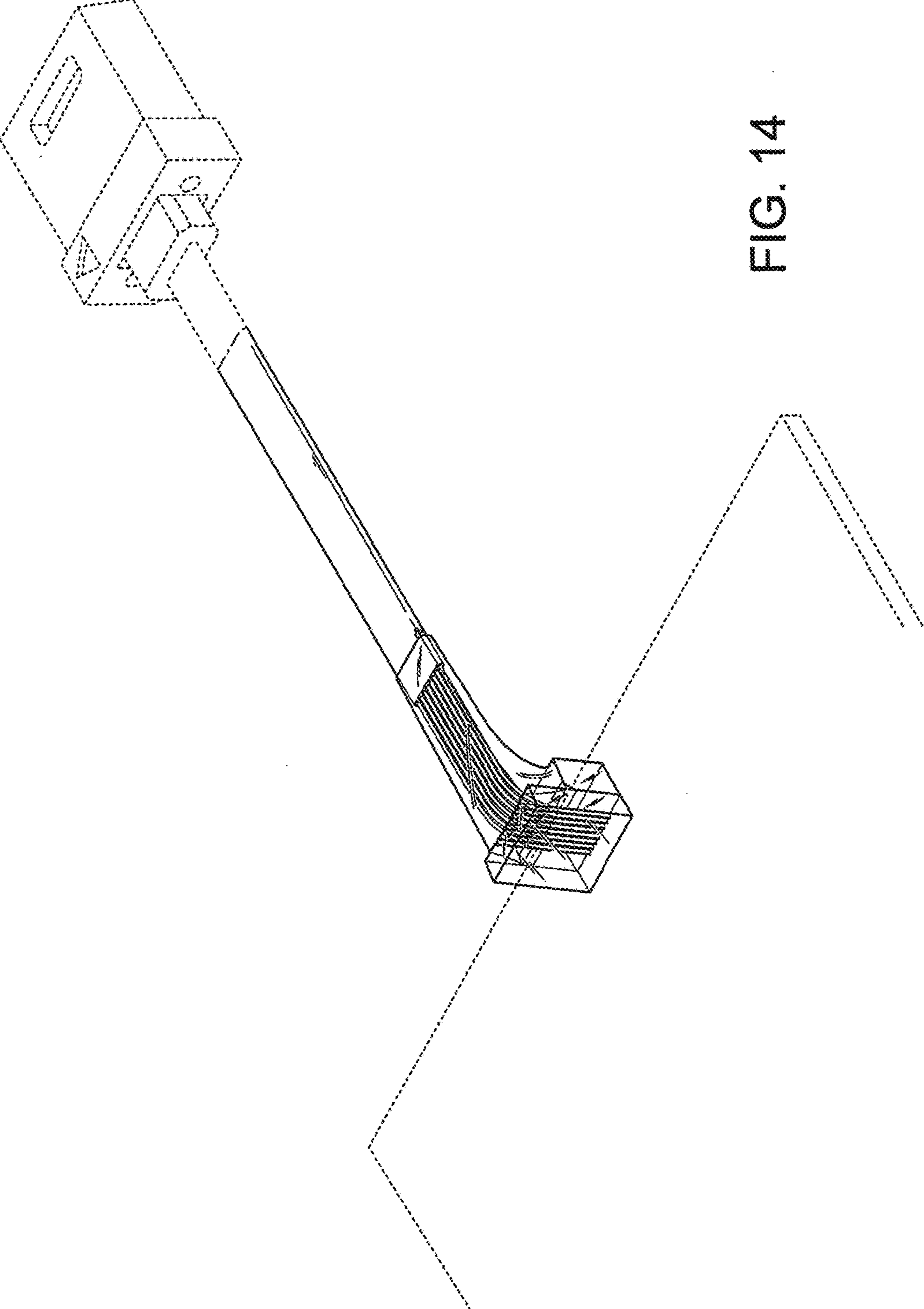


FIG. 14