



US00D811340S

(12) **United States Design Patent**
Zhu

(10) **Patent No.:** **US D811,340 S**

(45) **Date of Patent:** **** Feb. 27, 2018**

(54) **CONDUCTIVE PLATE**

(71) Applicant: **SHANUTECH (SHANGHAI) CO., LTD.**, Shanghai (CN)

(72) Inventor: **Wenting Zhu**, Shanghai (CN)

(73) Assignee: **SHANUTECH (SHANGHAI) CO., LTD.**, Shanghai (CN)

(**) Term: **15 Years**

(21) Appl. No.: **29/569,884**

(22) Filed: **Jun. 30, 2016**

(51) **LOC (11) Cl.** **13-03**

(52) **U.S. Cl.**
USPC **D13/146**

(58) **Field of Classification Search**
USPC D13/128, 129, 130, 131, 132, 133, 146,
D13/147, 154, 182, 184, 199
CPC H01R 24/00; H01R 24/78; H01R 25/14;
H01R 25/142; H01R 25/16; H01R 25/162
See application file for complete search history.

(56) **References Cited**

U.S. PATENT DOCUMENTS

D253,887 S * 1/1980 Turner D13/177
D343,385 S * 1/1994 Sachs D13/154

D443,160 S * 6/2001 Ernst D6/553
D688,630 S * 8/2013 Chapman D13/154
D743,897 S * 11/2015 Krivonak D13/147
D743,899 S * 11/2015 Murphy D13/147
D743,900 S * 11/2015 Murphy D13/147

* cited by examiner

Primary Examiner — Daniel Bui

(74) *Attorney, Agent, or Firm* — Metis IP LLC

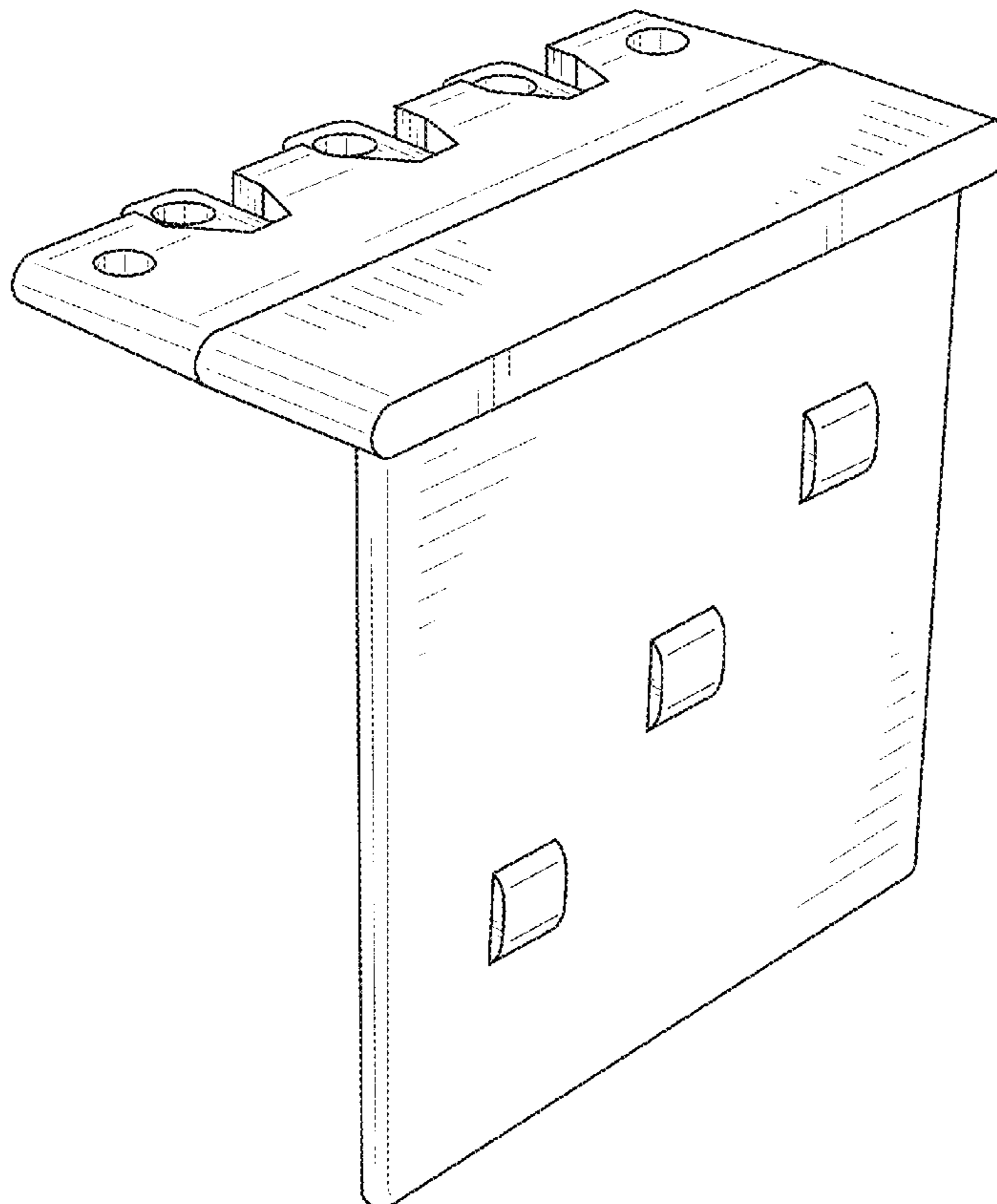
(57) **CLAIM**

The ornamental design for a conductive plate, as shown and described.

DESCRIPTION

FIG. 1 is a perspective view of a conductive plate showing my new design;
FIG. 2 is a front view thereof;
FIG. 3 is a rear view thereof;
FIG. 4 is a right view thereof;
FIG. 5 is a left view thereof;
FIG. 6 is a top view thereof; and,
FIG. 7 is a bottom view thereof.

1 Claim, 7 Drawing Sheets



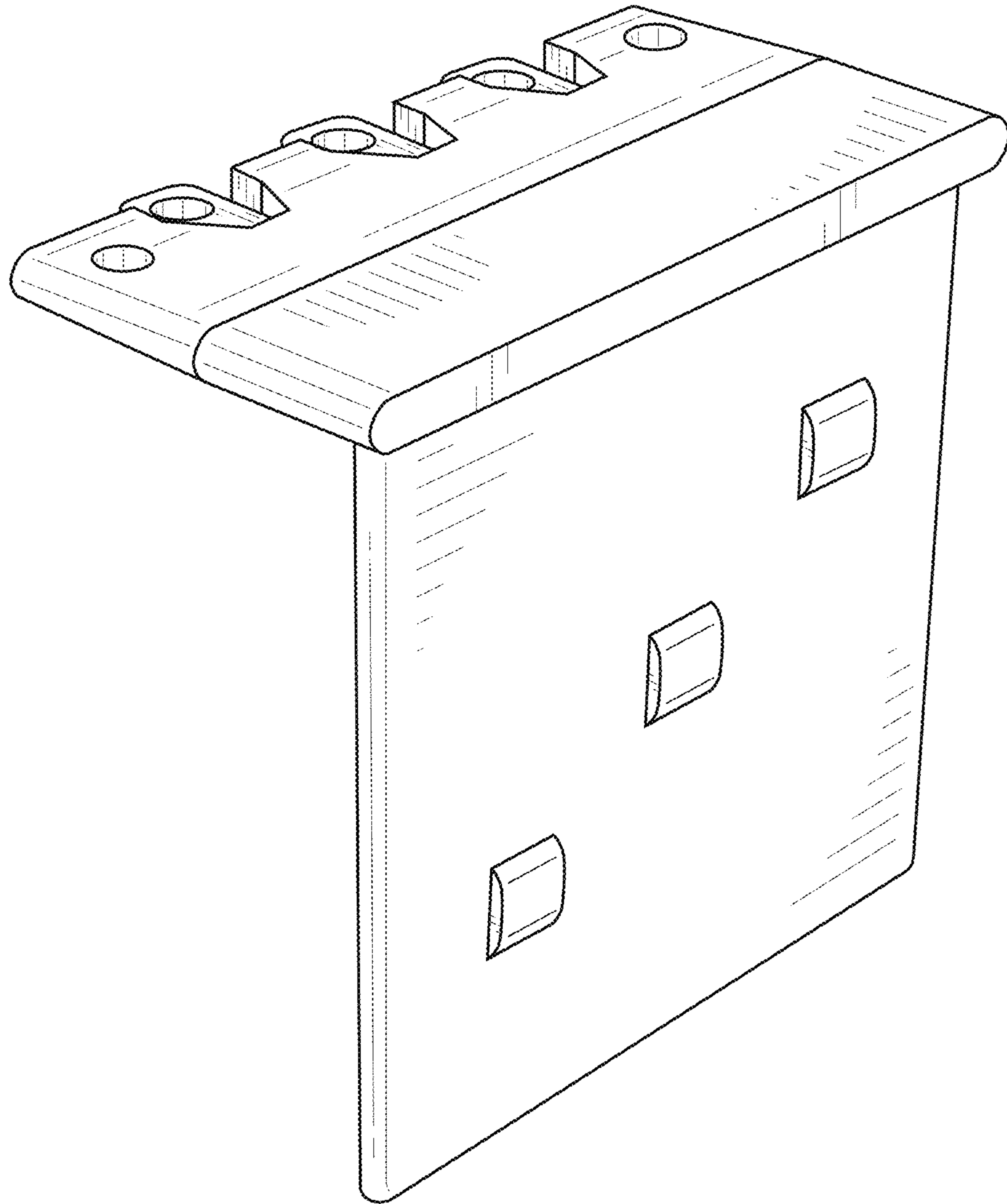


FIG. 1

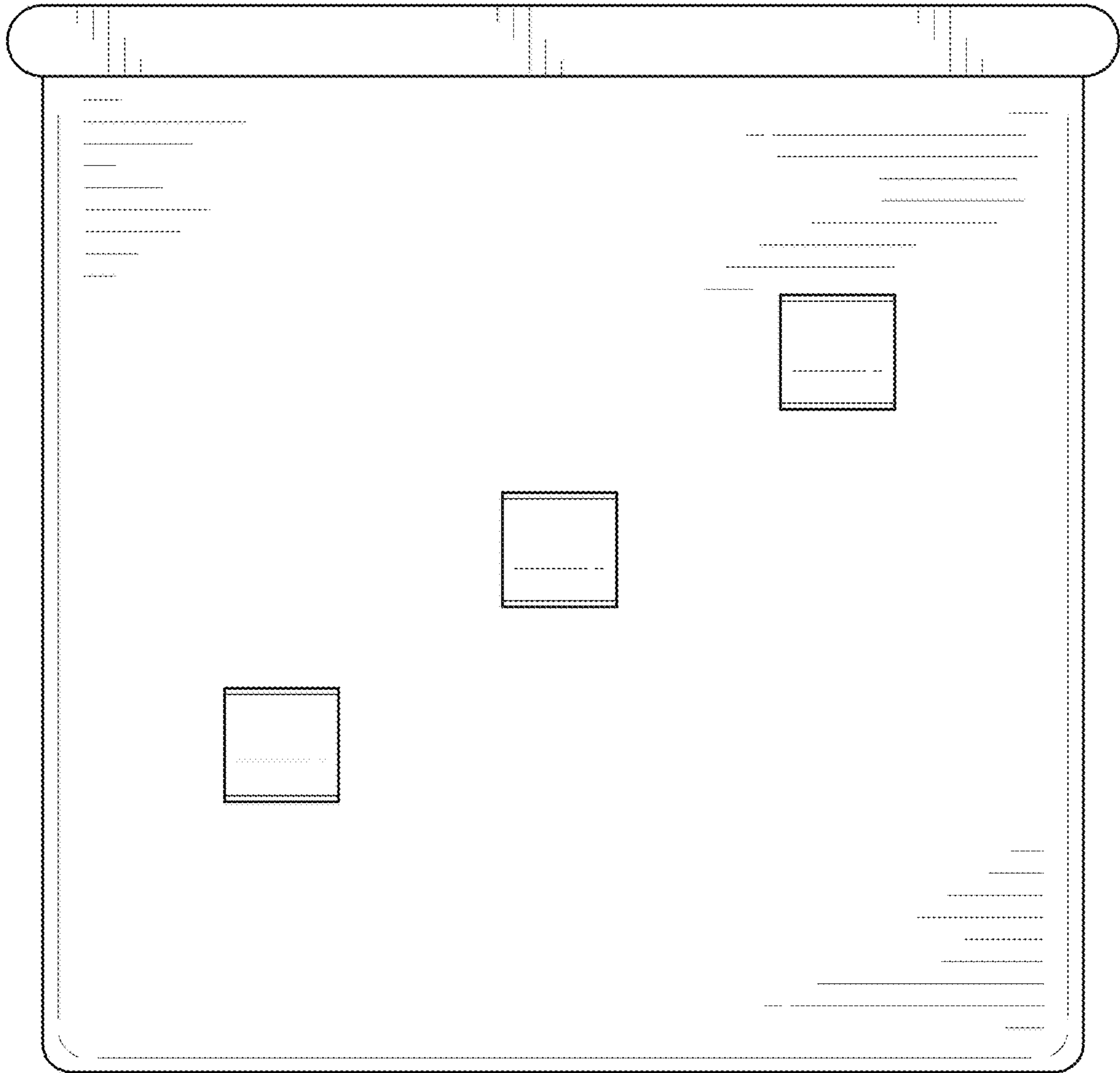


FIG. 2

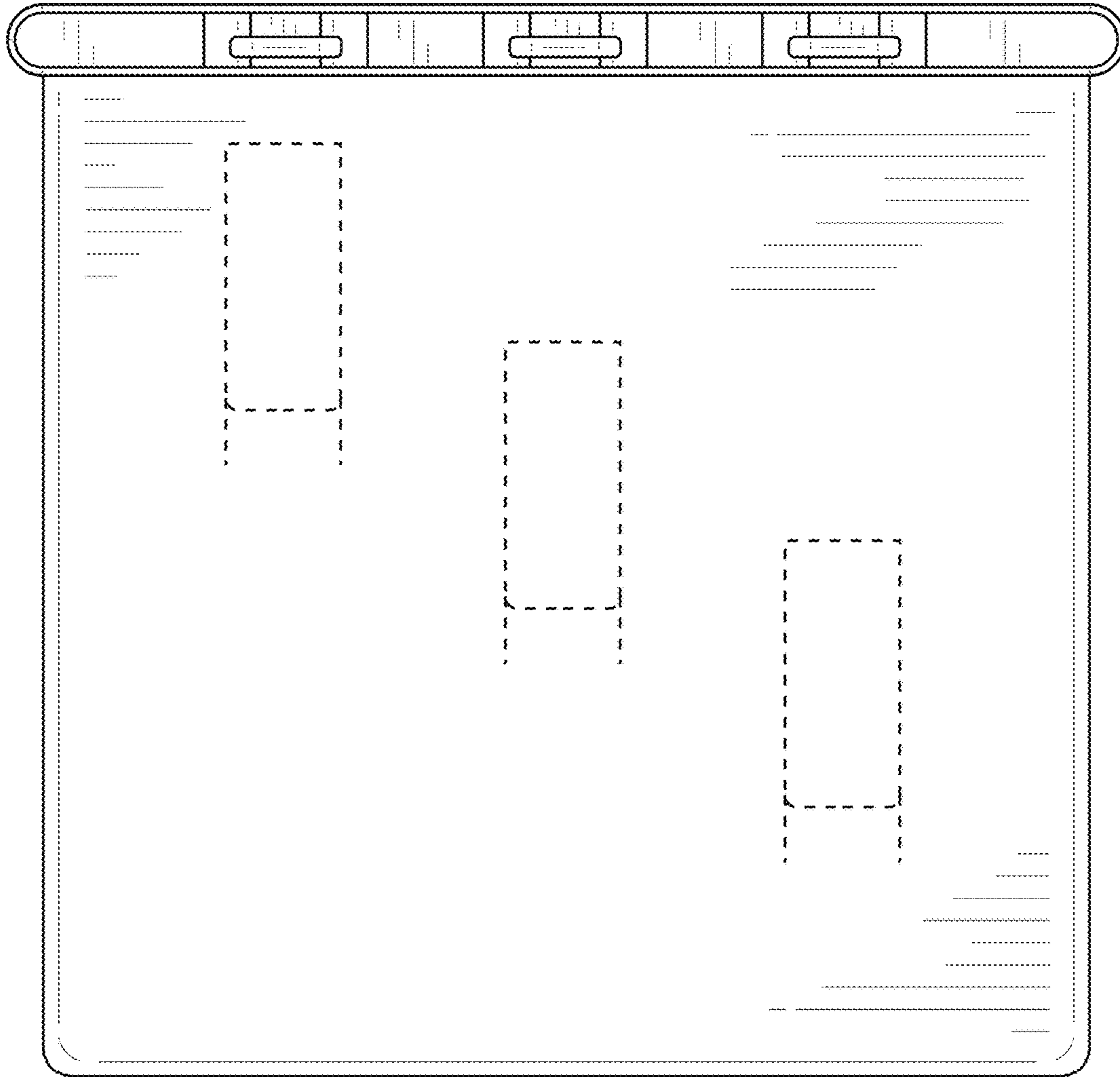


FIG. 3

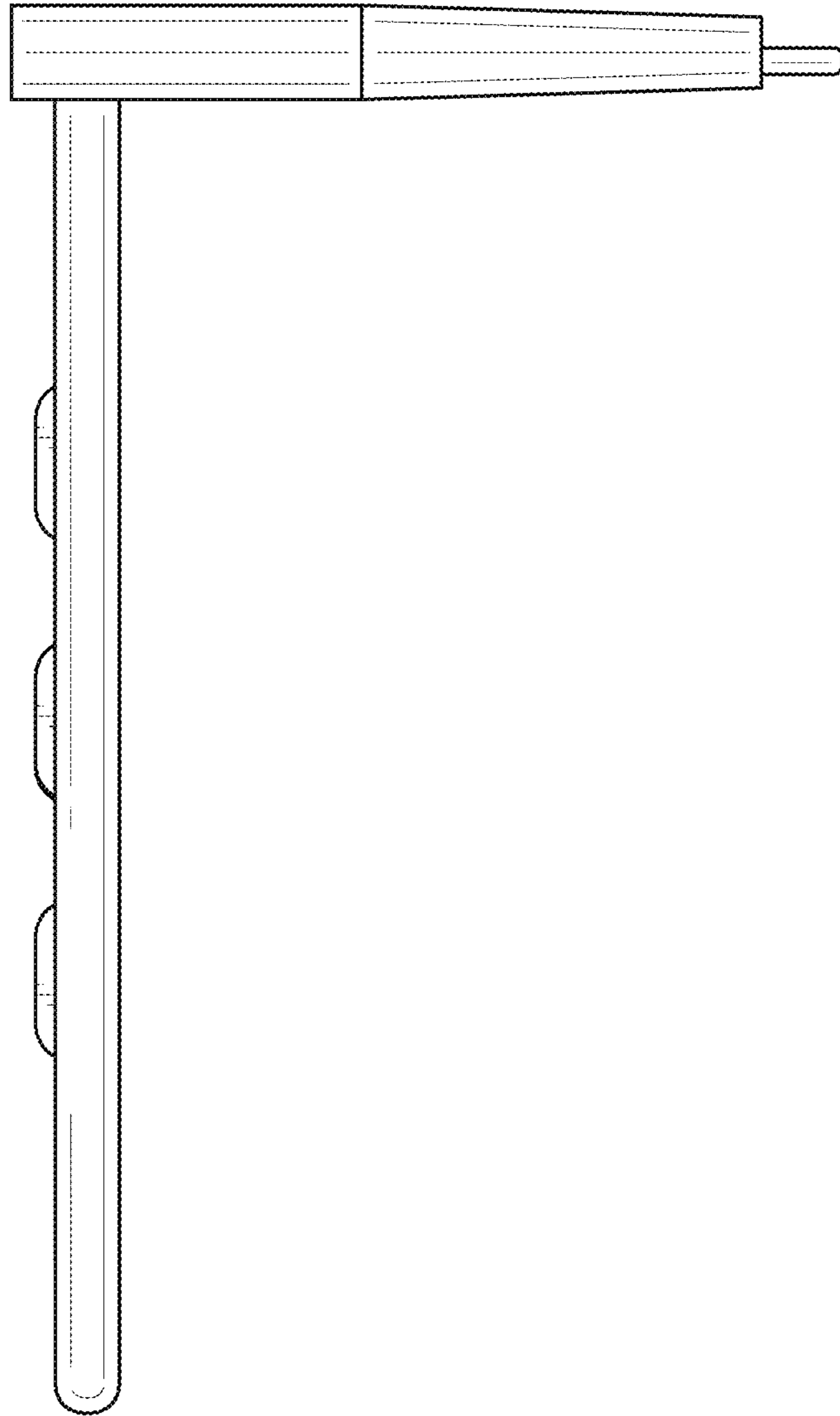


FIG. 4

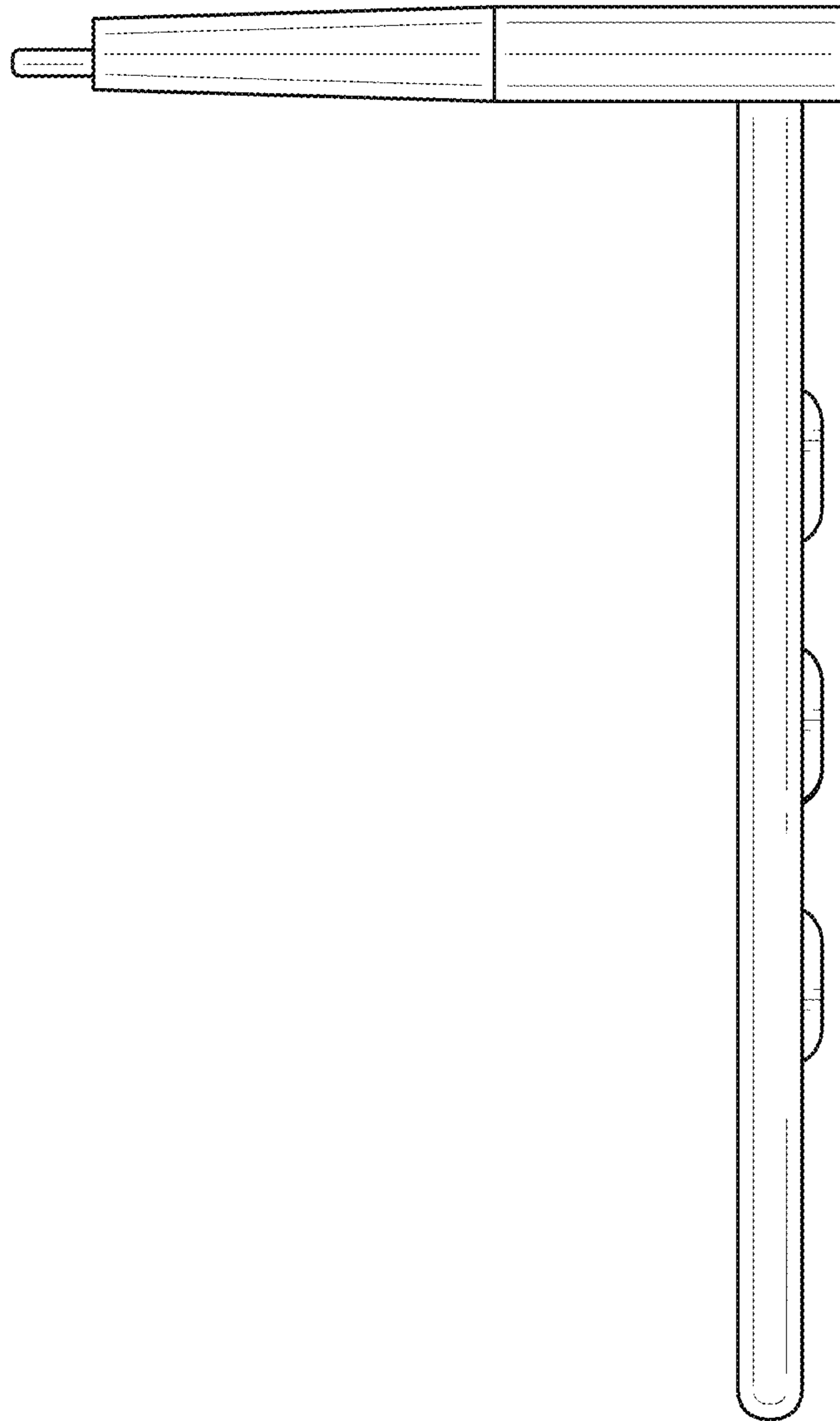


FIG. 5

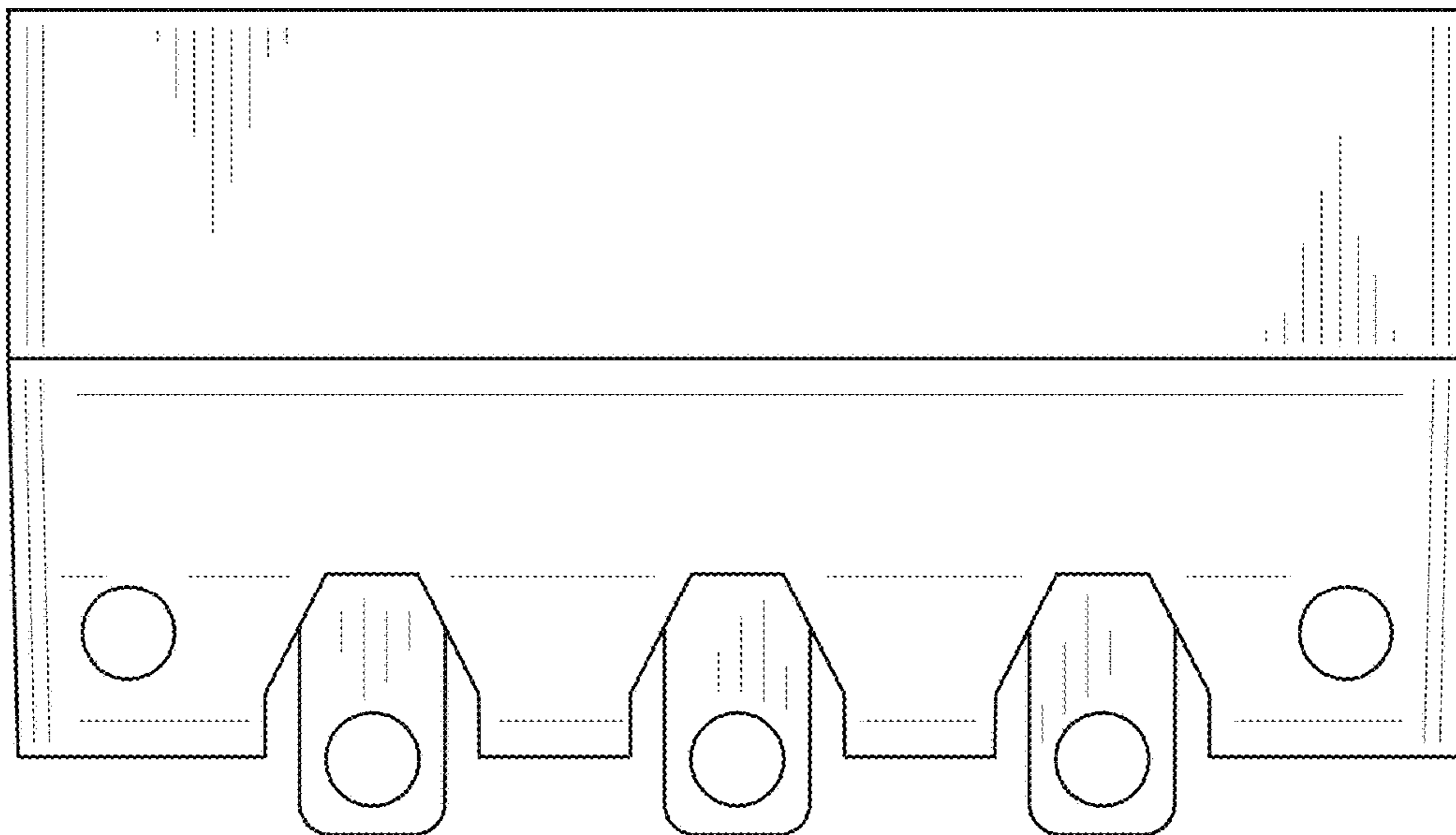


FIG. 6

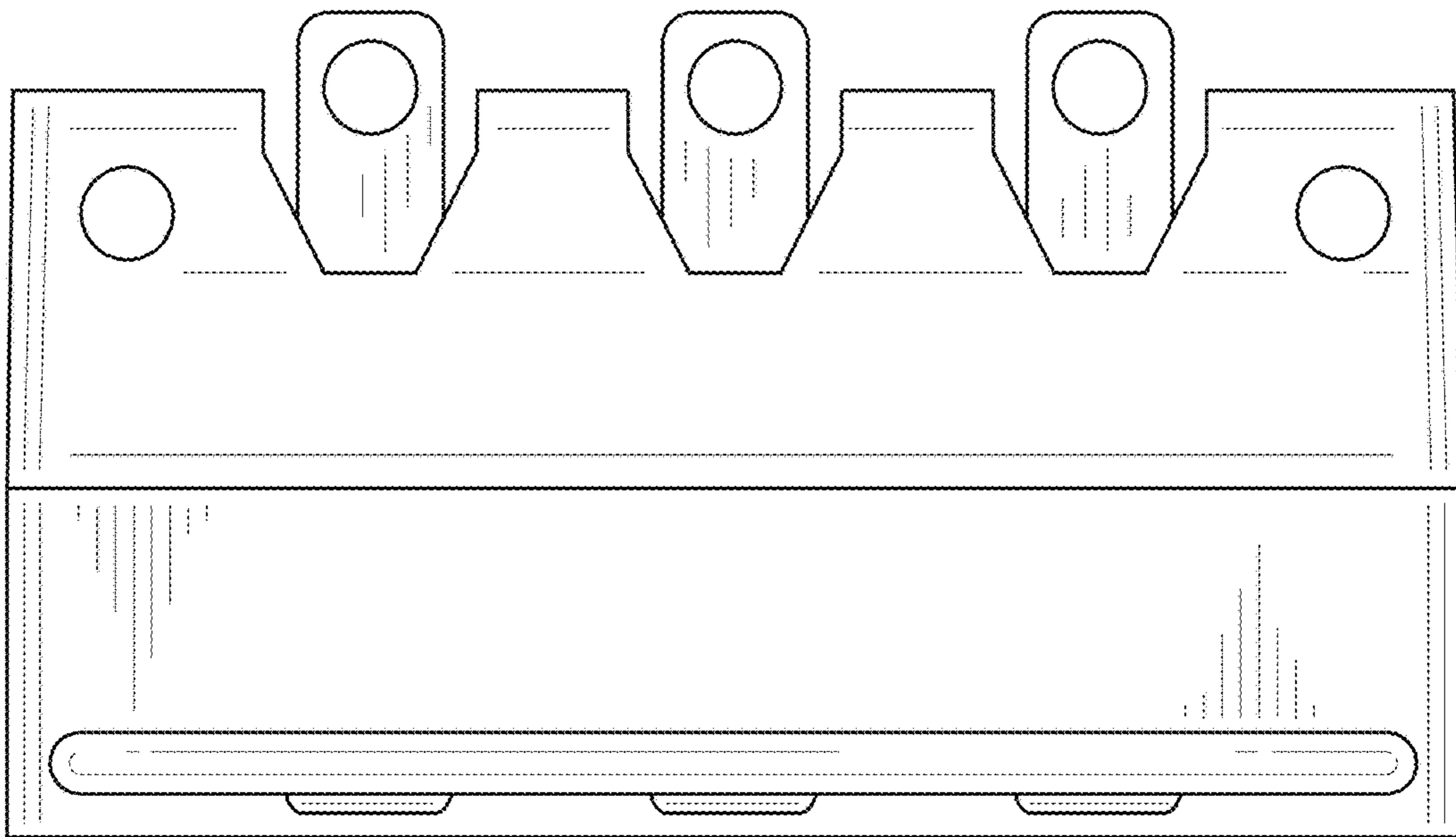


FIG. 7