



US00D811339S

(12) **United States Design Patent** (10) **Patent No.:** **US D811,339 S**
Bdeir (45) **Date of Patent:** **** Feb. 27, 2018**

(54) **CONNECTOR FOR MODULAR ELECTRONIC BUILDING SYSTEM**

FOREIGN PATENT DOCUMENTS

(71) Applicant: **littleBits Electronics Inc.**, New York, NY (US)

CN 3087332 10/1998
CN 3168690 12/2000

(Continued)

(72) Inventor: **Aya Bdeir**, New York, NY (US)

OTHER PUBLICATIONS

(73) Assignee: **littleBits Electronics, Inc.**, New York, NY (US)

W10 Wire Inverter, [online], [site visited May 17, 2017]. Available from Internet, <URL: <https://littlebits.cc/bits/inverter>>.*

(Continued)

(**) Term: **15 Years**

Primary Examiner — Eric L Goodman

(21) Appl. No.: **29/559,422**

Assistant Examiner — Sanjeev Paul

(22) Filed: **Mar. 28, 2016**

(74) *Attorney, Agent, or Firm* — Cooley LLP

(57) **CLAIM**

The ornamental design for a connector for a modular electronic building system, as shown and described.

Related U.S. Application Data

DESCRIPTION

(62) Division of application No. 29/530,983, filed on Jun. 22, 2015, now Pat. No. Des. 752,519, which is a (Continued)

(51) **LOC (11) Cl.** **13-03**

(52) **U.S. Cl.**
USPC **D13/146**

(58) **Field of Classification Search**
USPC D13/146, 147, 154, 184, 199; D21/398
CPC . H01R 9/03; H01R 9/09; H01R 9/091; H01R 9/096; H01R 9/097; H01R 9/098; H05K 5/00; H05K 7/00; H05K 11/30; A63H 3/04; A63H 3/006; A63H 3/16
See application file for complete search history.

FIG. 1 is a bottom perspective view of a connector for a modular electronic building system, according to an embodiment;

FIG. 2 is a front view of the connector for a modular electronic building system illustrated in FIG. 1;

FIG. 3 is a rear view of the connector for a modular electronic building system illustrated in FIG. 1;

FIG. 4 is a left side view of the connector for a modular electronic building system illustrated in FIG. 1;

FIG. 5 is a right side view of the connector for a modular electronic building system illustrated in FIG. 1;

FIG. 6 is a bottom view of the connector for a modular electronic building system illustrated in FIG. 1; and,

FIG. 7 is a top view of the connector for a modular electronic building system illustrated in FIG. 1.

The broken lines in the figures show disclaimed portions of the connector for modular electronic building system; the broken lines form no part of the claimed design.

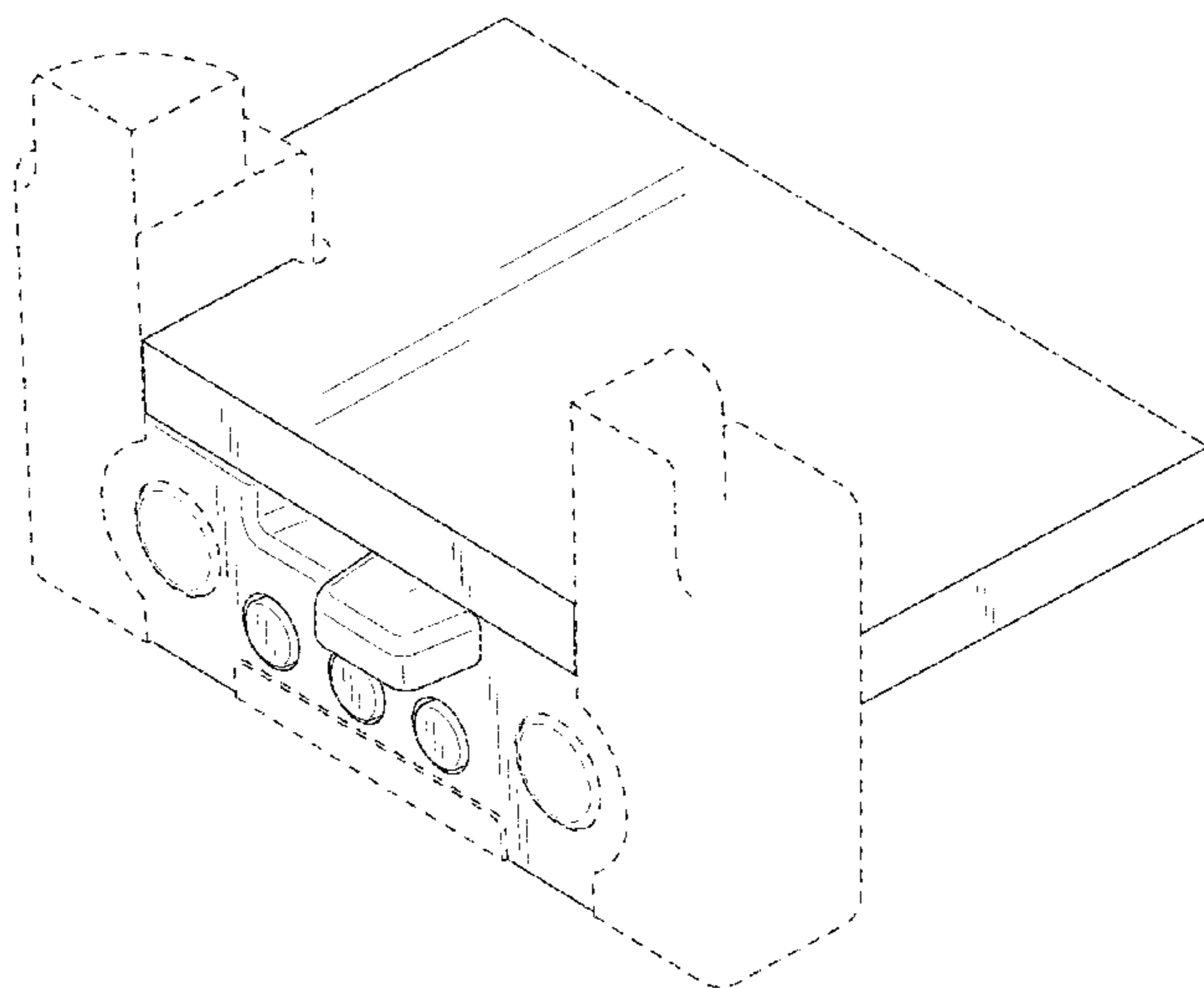
(56) **References Cited**

U.S. PATENT DOCUMENTS

4,878,848 A * 11/1989 Ingalsbe H01R 31/06 439/638

4,978,317 A 12/1990 Pocrass
(Continued)

1 Claim, 4 Drawing Sheets



Related U.S. Application Data

division of application No. 29/437,623, filed on Nov. 19, 2012, now Pat. No. Des. 732,475.

2013/0050958 A1* 2/2013 Bdeir H01R 13/6205
361/730
2013/0343025 A1 12/2013 Bdeir
2014/0038466 A1* 2/2014 Karodi H01R 13/514
439/626

(56)

References Cited

U.S. PATENT DOCUMENTS

D473,849 S 4/2003 Yeh
D658,586 S * 5/2012 Lin D13/146
8,491,312 B2 7/2013 Rudisill et al.
8,753,164 B2 6/2014 Hansen et al.
D732,475 S * 6/2015 Bdeir D13/146
D751,988 S * 3/2016 Bdeir D13/146
D752,519 S * 3/2016 Bdeir D13/146
9,419,378 B2 * 8/2016 Bdeir H01R 13/6205
D773,992 S * 12/2016 Krantz D13/110
9,597,607 B2 * 3/2017 Bdeir H01R 13/6205
2007/0072442 A1 3/2007 DiFonzo et al.
2007/0173095 A1 * 7/2007 Bin-Nun A63H 33/108
439/219
2008/0166926 A1 * 7/2008 Seymour E04B 2/06
439/701
2010/0151738 A1 * 6/2010 Chou G06T 17/10
439/638
2010/0311300 A1 * 12/2010 Hansen A63H 33/042
446/91
2011/0059652 A1 3/2011 Hoyack et al.
2011/0263145 A1 * 10/2011 Kim H01R 13/4534
439/137

FOREIGN PATENT DOCUMENTS

CN 3237906 5/2002
CN 301097689 12/2009
CN 301216015 S 5/2010
CN 301545488 S 5/2011
CN 301742222 S 11/2011
JP D2010-24187 5/2011
KR 30-2003-0036843 12/2014

OTHER PUBLICATIONS

Evaluation Report of Design Patent for Chinese Patent Application No. 201330114691.4, dated Apr. 9, 2014, 10 pages.
Bdeir, A., "Building blocks that blink, beep and teach," TED Talk (online), Retrieved from the Internet: <URL: http://www.ted.com/talks/ayah_bdeir_building_blocks_that_blink_beep_and_teach>, on Jan. 6, 2016, printed copy of 5 pages from webpage including 2 pages of video transcript.
"Little Bits' electric LEGOs get supercharged with new cash," The Verge, Jul. 18, 2012 (online), [Retrieved on Jul. 7, 2017], Retrieved from the Internet: <URL: <https://web.archive.org/web/20120820112825/https://www.theverge.com/2012/7/18/3167296/littlebits-electrical-legos-funding>>.

* cited by examiner

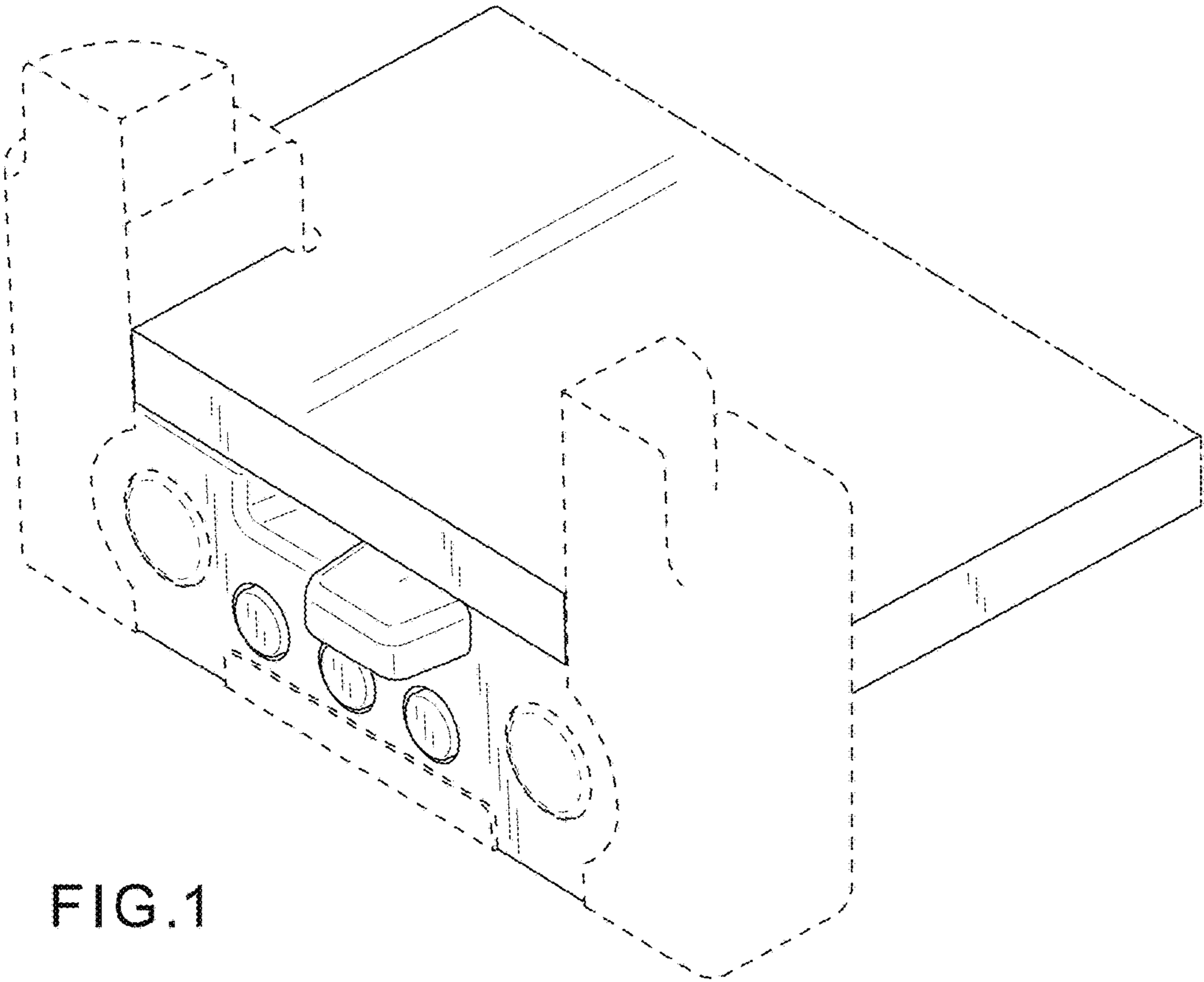


FIG.1

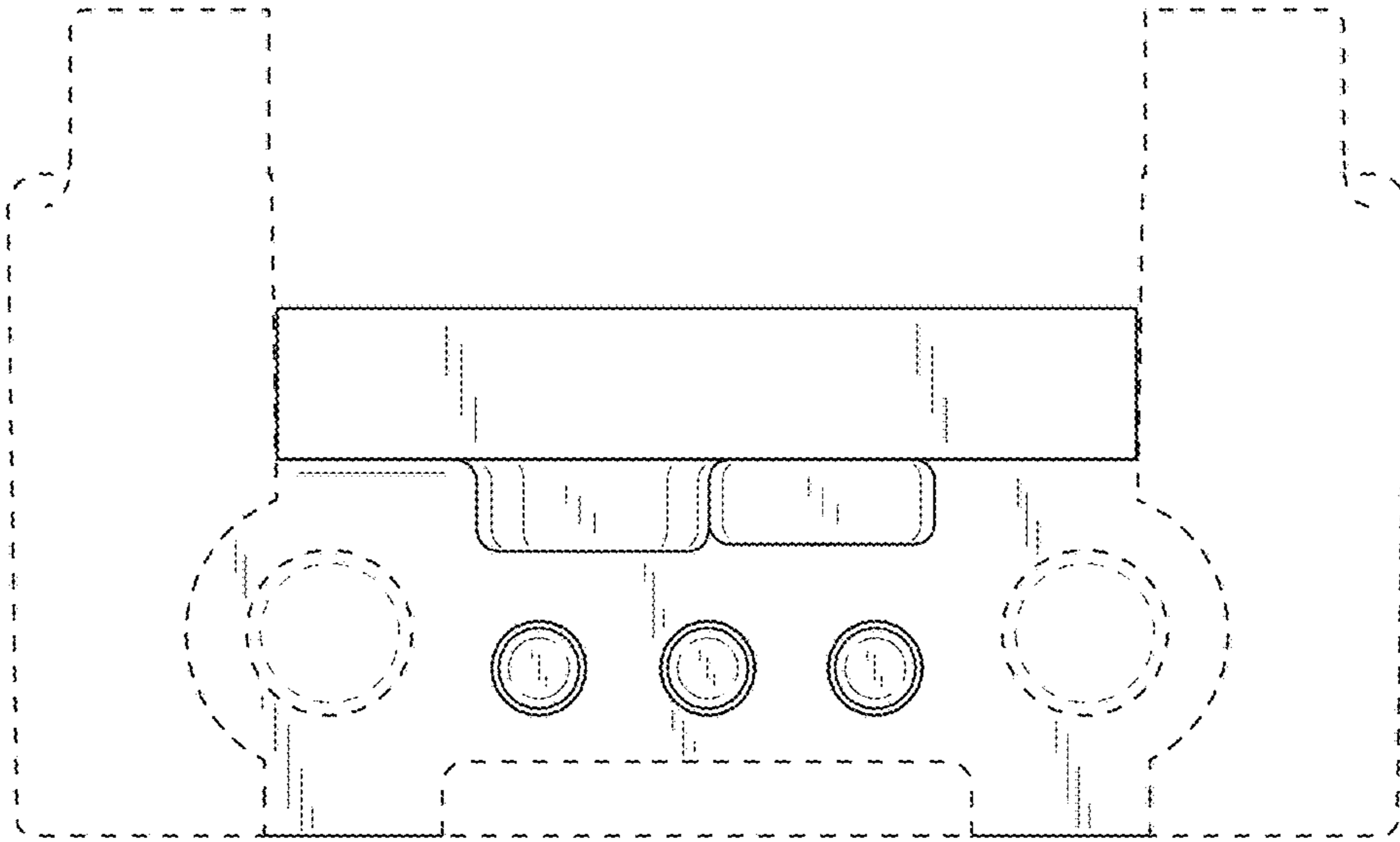


FIG. 2

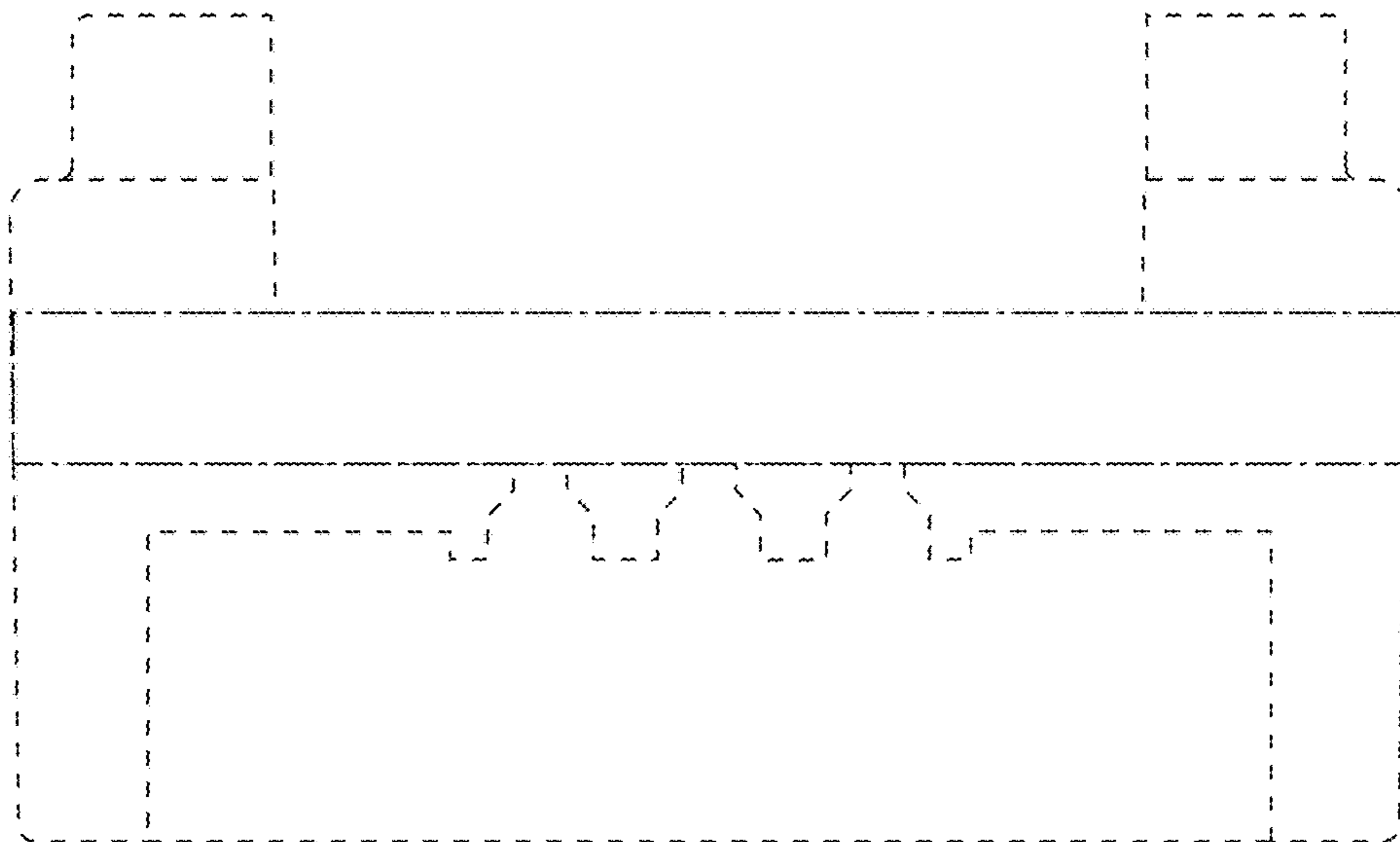


FIG. 3

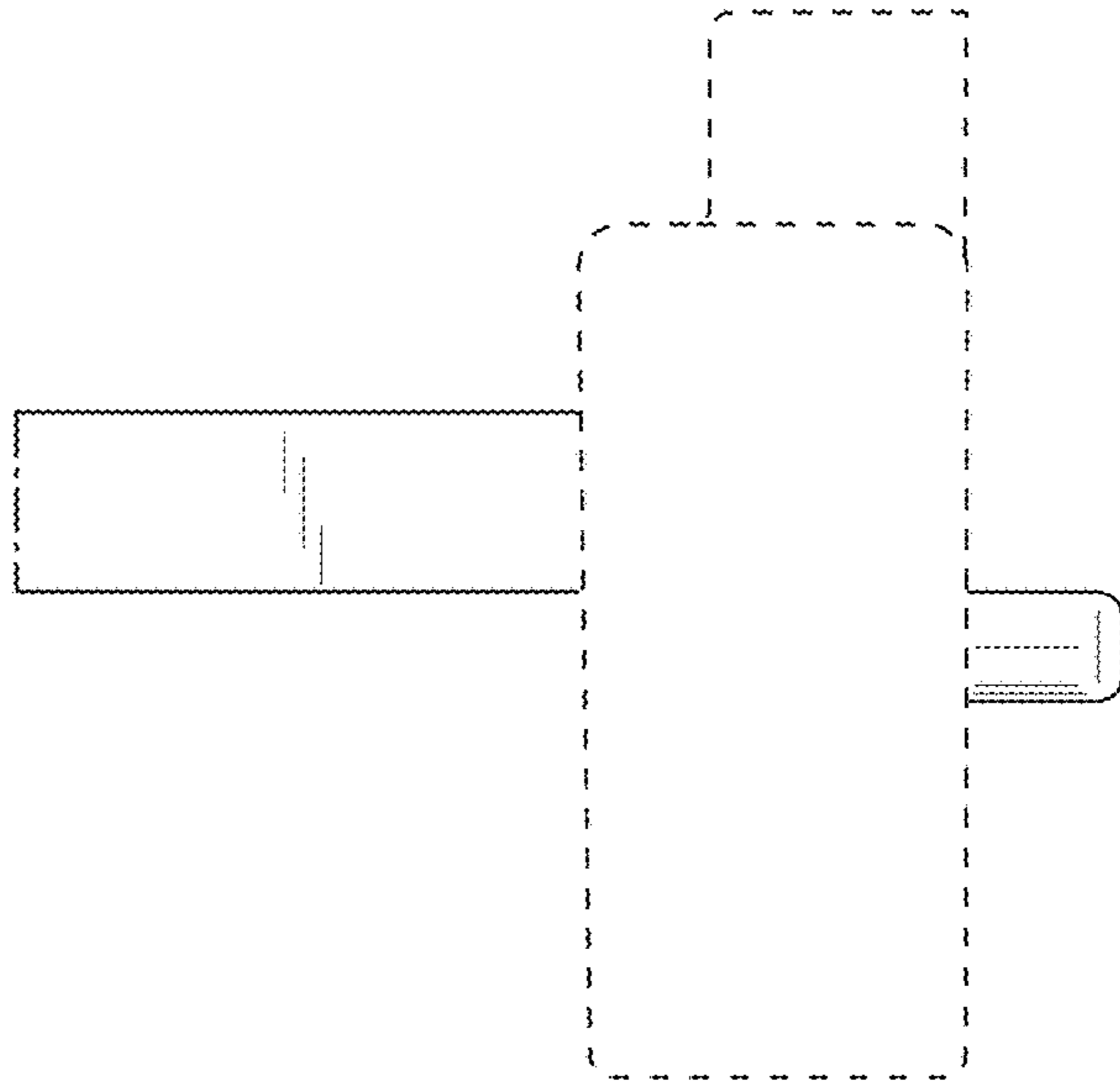


FIG. 4

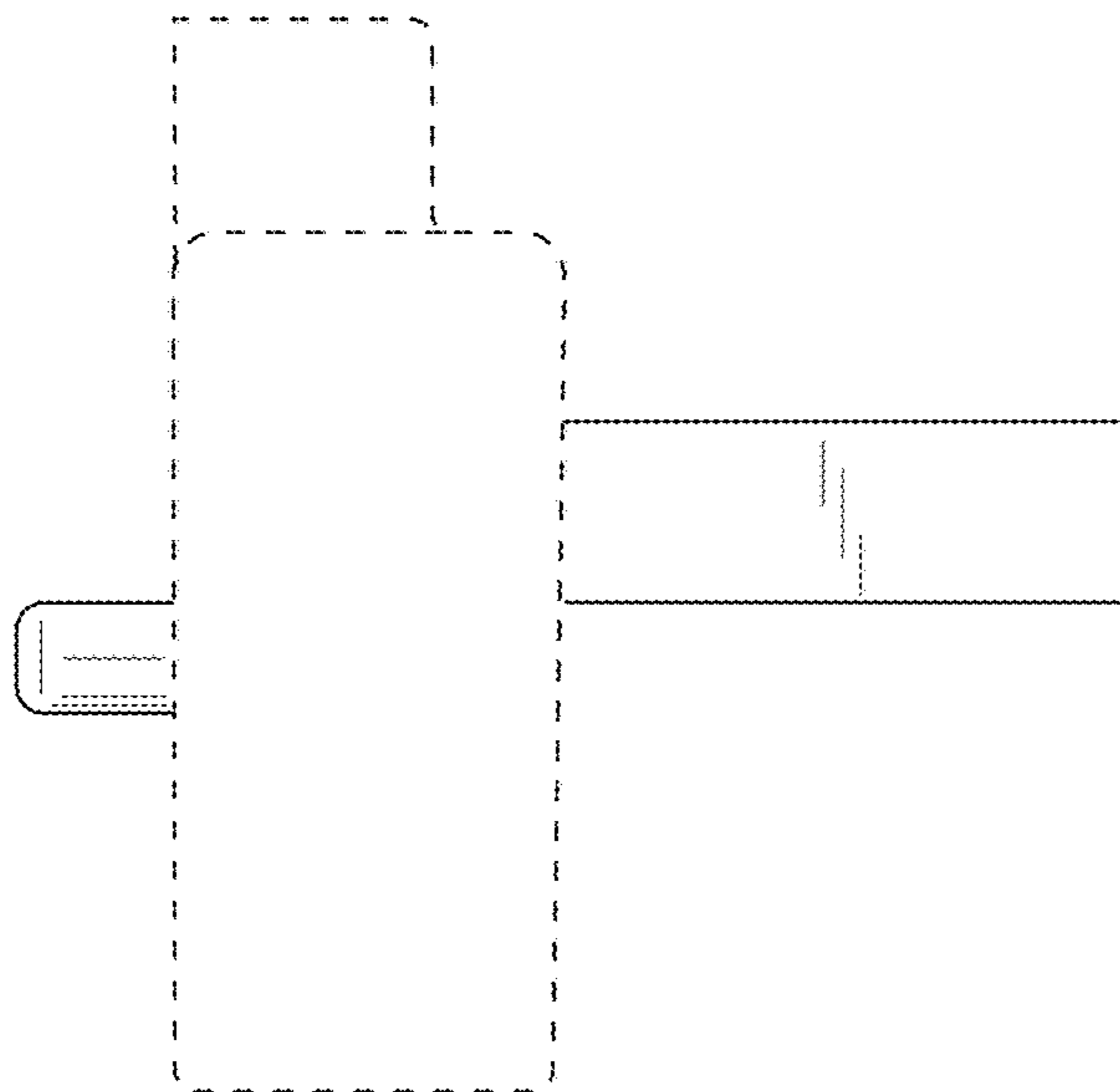


FIG. 5

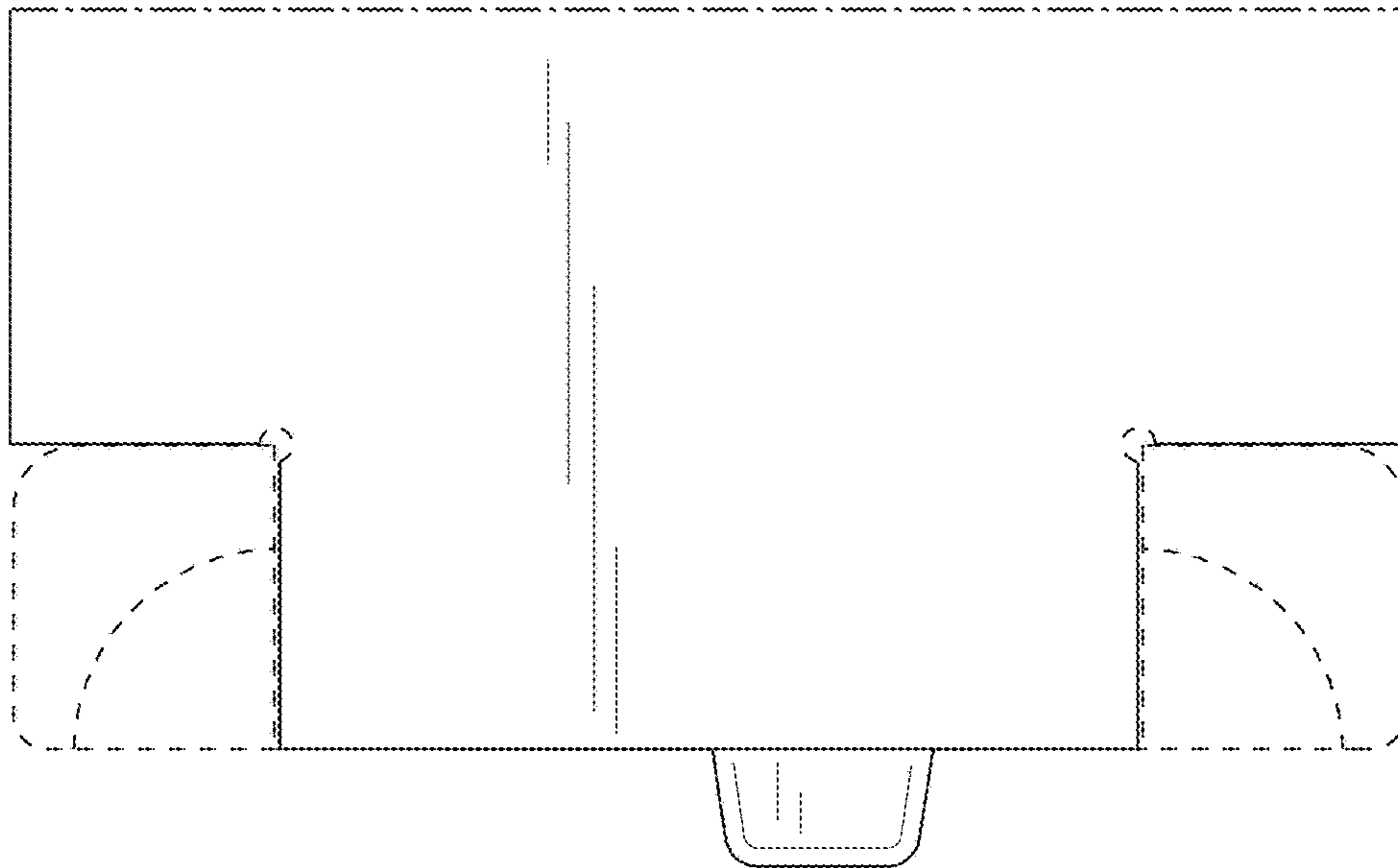


FIG. 6

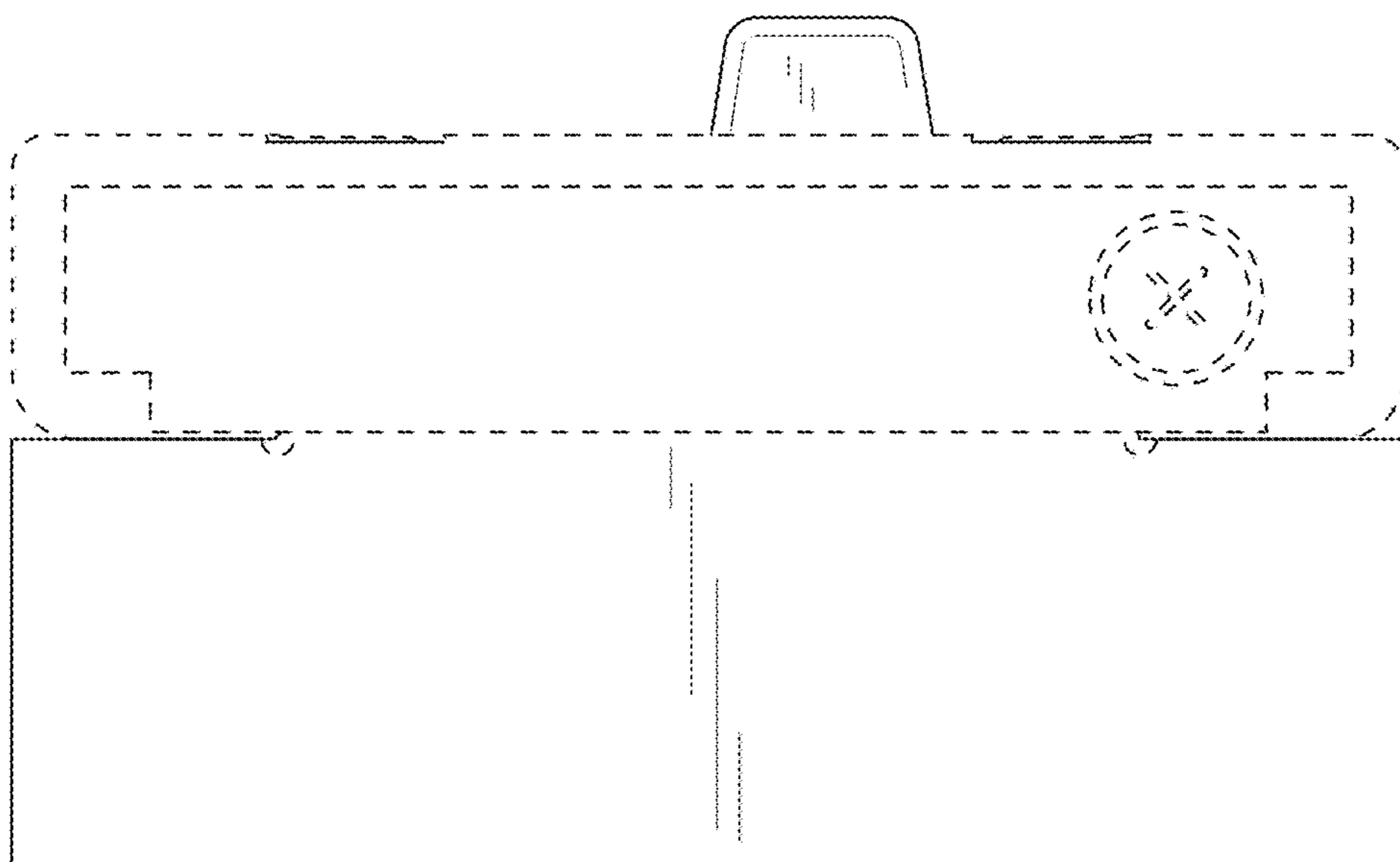


FIG. 7