



US00D811337S

(12) **United States Design Patent** (10) **Patent No.:** **US D811,337 S**
Byrne et al. (45) **Date of Patent:** **** Feb. 27, 2018**

(54) **ELECTRICAL POWER UNIT FOR A WORK SURFACE**

(71) Applicants: **Norman R. Byrne**, Ada, MI (US);
Timothy J. Warwick, Sparta, MI (US)

(72) Inventors: **Norman R. Byrne**, Ada, MI (US);
Timothy J. Warwick, Sparta, MI (US)

(**) Term: **15 Years**

(21) Appl. No.: **29/566,704**

(22) Filed: **Jun. 2, 2016**

Related U.S. Application Data

(62) Division of application No. 29/517,408, filed on Feb. 12, 2015, now Pat. No. Des. 759,596.

(51) **LOC (11) Cl.** **13-03**

(52) **U.S. Cl.**
USPC **D13/137.2**

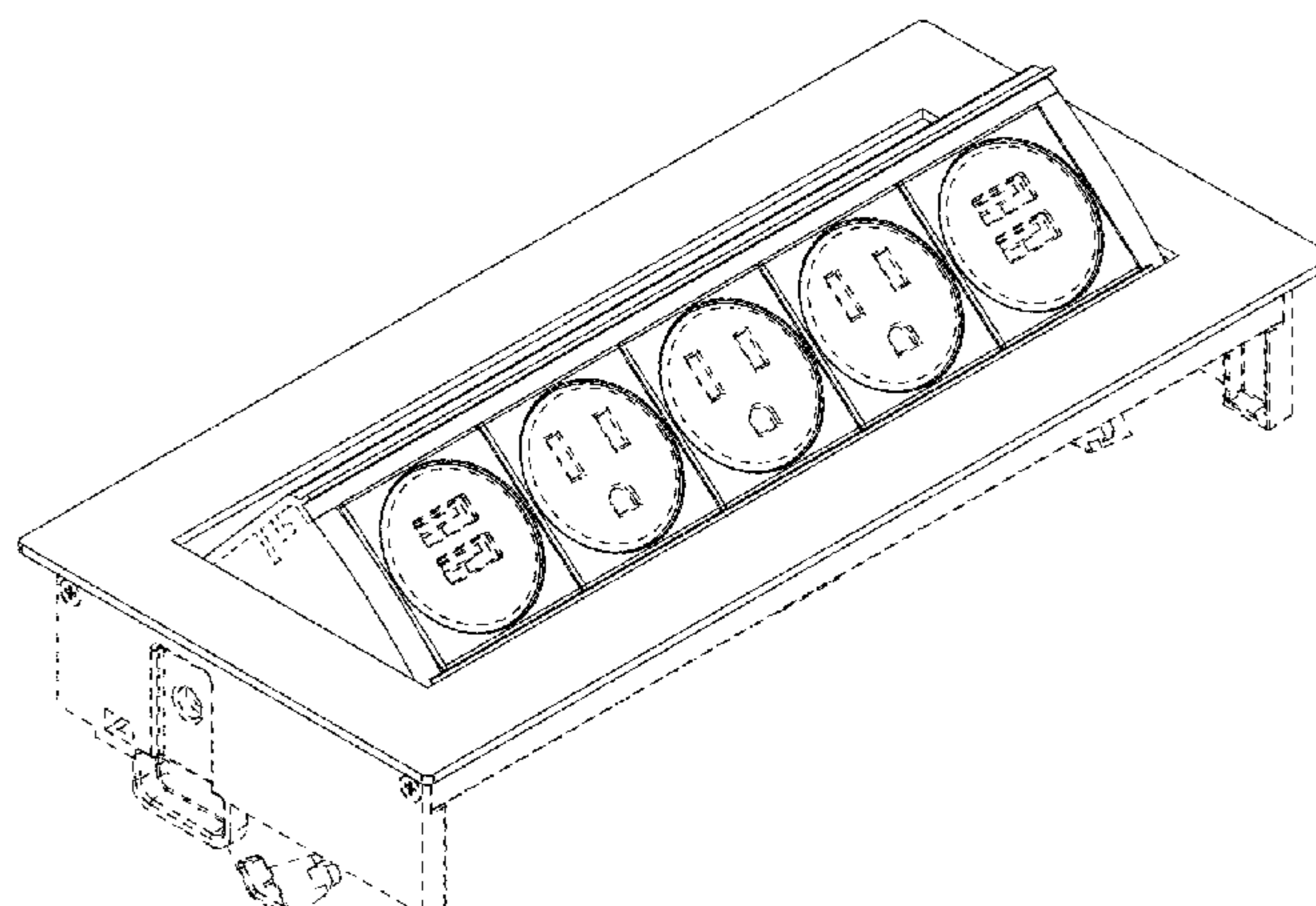
(58) **Field of Classification Search**
USPC D13/137.1-137.4, 138.1-138.2,
D13/139.1-139.8, 110, 133, 108, 152;
D14/435; 174/55; 307/23
CPC H01R 13/518; H01R 13/6272
See application file for complete search history.

(56) **References Cited**

U.S. PATENT DOCUMENTS

2,811,574 A 10/1957 Guerrero
2,861,857 A 11/1958 Lee
3,131,512 A 5/1964 MacLeod, Jr.
3,353,137 A 11/1967 Miller
3,433,886 A 3/1969 Myers
3,622,684 A 11/1971 Press
3,646,244 A 2/1972 Cole
3,794,956 A 2/1974 Dubreuil
D233,729 S 11/1974 De Forrest
3,892,095 A 7/1975 Vankuik
3,972,579 A 8/1976 Kohaut
3,992,070 A 11/1976 Dunn
4,059,321 A 11/1977 Rasmussen
4,272,643 A 6/1981 Carroll
4,372,629 A 2/1983 Propst

4,551,198 A 11/1985 Wiley
4,551,577 A 11/1985 Byrne
4,747,788 A 5/1988 Byrne
4,792,881 A 12/1988 Wilson
4,828,513 A 5/1989 Morrison
4,967,041 A 10/1990 Bowman
4,984,982 A 1/1991 Brownlie
4,986,762 A 1/1991 Keith
5,023,396 A 6/1991 Bartee
5,114,365 A 5/1992 Thompson
5,122,069 A 6/1992 Brownlie
5,230,552 A 7/1993 Schipper
5,231,562 A 7/1993 Pierce
5,351,173 A 9/1994 Byrne
D353,363 S 12/1994 Toby
D355,890 S 2/1995 Lentz
5,387,761 A 2/1995 Simonis
5,516,298 A 5/1996 Smith
D370,622 S 6/1996 Byrne
D372,018 S 7/1996 Byrne
D375,292 S 11/1996 D'Amato
5,575,668 A 11/1996 Timmerman
5,705,772 A 1/1998 Brown
5,709,156 A 1/1998 Gevaert
D392,254 S 3/1998 Gevaert
5,757,668 A 5/1998 Zhu
D397,089 S 8/1998 Lin
D405,051 S 2/1999 Byrne
D405,052 S 2/1999 Byrne
D406,103 S 2/1999 Byrne
D407,374 S 3/1999 Byrne
D412,695 S 8/1999 Byrne
D412,696 S 8/1999 Byrne
D412,697 S 8/1999 Byrne
D412,698 S 8/1999 Byrne
D413,571 S 9/1999 Glass
5,980,279 A 11/1999 Muller
D420,327 S 2/2000 Byrne
6,028,267 A * 2/2000 Byrne H01R 13/518
174/55
D437,827 S 2/2001 Gershfeld
D442,143 S 5/2001 Gershfeld
D446,188 S 8/2001 Gershfeld
6,290,518 B1 9/2001 Byrne
D449,819 S 10/2001 Gershfeld
D454,541 S 3/2002 Gershfeld
D455,123 S * 4/2002 Gershfeld D13/139.4
D455,716 S 4/2002 Gershfeld
D456,357 S 4/2002 Gershfeld
D457,137 S 5/2002 Gershfeld



D460,736	S	7/2002	Pincek et al.	
D463,775	S	10/2002	Byrne	
D464,627	S	10/2002	Metcalf	
D465,201	S	11/2002	Gershfeld	
D466,868	S *	12/2002	Gershfeld	D13/139.4
D467,873	S	12/2002	Yu	
6,492,591	B1	12/2002	Metcalf	
D468,701	S	1/2003	Byrne	
D472,213	S	3/2003	Byrne	
D473,525	S	4/2003	Pincek et al.	
D475,016	S	5/2003	Gershfeld	
D477,280	S	7/2003	Gershfeld	
6,923,663	B2	8/2005	Oddsden	
D512,964	S	12/2005	Kissinger et al.	
D513,493	S	1/2006	Feldstein et al.	
D516,513	S	3/2006	Kissinger et al.	
7,045,706	B1	5/2006	Lincoln	
7,053,296	B2	5/2006	Drane et al.	
D524,310	S	7/2006	Kent et al.	
D526,961	S	8/2006	Kissinger et al.	
D534,495	S	1/2007	Gershfeld	
D535,257	S	1/2007	Byrne	
7,163,409	B1	1/2007	Chen et al.	
D537,039	S	2/2007	Pincek	
7,183,501	B2	2/2007	Bowman	
D537,785	S	3/2007	Pincek	
D549,656	S	8/2007	Hsiao	
D553,306	S	10/2007	Hansen	
D556,139	S	11/2007	Gershfeld	
D569,863	S	5/2008	Feldstein et al.	
7,407,392	B2	8/2008	Cooke et al.	
D576,118	S	9/2008	Beilstein	
D579,873	S	11/2008	Gershfeld	
D591,682	S	5/2009	Lin	
D597,960	S	8/2009	Dinh et al.	
D603,411	S	11/2009	Zonshine et al.	
7,614,889	B1	11/2009	Black et al.	
7,663,866	B2	2/2010	Lee et al.	
D614,574	S	4/2010	Thommes	
7,736,178	B2	6/2010	Byrne	
D622,219	S	8/2010	Byrne	
D626,069	S	10/2010	Byrne	
D626,070	S *	10/2010	Byrne	D13/139.4
D635,921	S	4/2011	Sato	
D636,345	S *	4/2011	Cullen	D13/137.4
D639,244	S *	6/2011	Byrne	D13/139.4
7,989,738	B2	8/2011	Byrne	
D649,514	S	11/2011	Byrne	
D657,315	S	4/2012	Feldstein et al.	
D660,237	S	5/2012	Byrne	
D665,355	S	8/2012	Byrne	
8,283,802	B2 *	10/2012	Jansma	H01R 13/6272 307/23
D676,622	S	2/2013	Thurmond	
D682,213	S *	5/2013	Byrne	D13/139.4
D685,329	S *	7/2013	Byrne	D13/139.4
8,482,252	B2	7/2013	Byrne	
8,625,255	B2	1/2014	Linnane et al.	
D707,178	S	6/2014	Byrne et al.	
D709,031	S *	7/2014	Byrne	D13/139.4
D709,832	S	7/2014	Byrne et al.	
D711,323	S	8/2014	Wardenburg	
D715,740	S *	10/2014	Byrne	D13/139.4
D716,232	S *	10/2014	Byrne	D13/139.4
D721,330	S	1/2015	Byrne et al.	
D730,834	S	6/2015	Byrne et al.	
9,071,002	B2	6/2015	Mazzullo et al.	
D736,159	S	8/2015	Byrne et al.	
D741,266	S	10/2015	Byrne et al.	
D741,267	S	10/2015	Byrne et al.	
D759,596	S *	6/2016	Byrne	D13/137.2
D780,122	S *	2/2017	Irons	H05K 7/1492 D13/139.8
2004/0147147	A1	7/2004	Griepentrog	
2004/0238197	A1	12/2004	Gates, II	

OTHER PUBLICATIONS

Co-pending and commonly-owned Design U.S. Appl. No. 29/516,875, filed Feb. 6, 2015.

Co-pending Design U.S. Appl. No. 29/517,408, filed Feb. 12, 2015.

* cited by examiner

Primary Examiner — Rhea Shields

(74) *Attorney, Agent, or Firm* — Gardner, Linn, Burkhart & Flory, LLP

(57) **CLAIM**

The ornamental design for an electrical power unit for a work surface, as shown and described.

DESCRIPTION

FIG. 1 is a front perspective view of a first embodiment of the electrical power unit for a work surface in an open configuration showing our new design; FIG. 2 is a rear perspective view thereof; FIG. 3 is a front elevation thereof; FIG. 4 is a rear elevation thereof; FIG. 5 is a top plan view thereof; FIG. 6 is a bottom plan view thereof; FIG. 7 is a left side elevation thereof; FIG. 8 is a right side elevation thereof; FIG. 9 is a front perspective view of a second embodiment of the electrical power unit for a work surface in an open configuration showing our new design; FIG. 10 is a rear perspective view thereof; FIG. 11 is a front elevation thereof; FIG. 12 is a rear elevation thereof; FIG. 13 is a top plan view thereof; FIG. 14 is a bottom plan view thereof; FIG. 15 is a left side elevation thereof; FIG. 16 is a right side elevation thereof; FIG. 17 is a front perspective view of a third embodiment of the electrical power unit for a work surface in an open configuration showing our new design; FIG. 18 is a rear perspective view thereof; FIG. 19 is a front elevation thereof; FIG. 20 is a rear elevation thereof; FIG. 21 is a top plan view thereof; FIG. 22 is a bottom plan view thereof; FIG. 23 is a left side elevation thereof; FIG. 24 is a right side elevation thereof; FIG. 25 is a front perspective view of a fourth embodiment of the electrical power unit for a work surface in an open configuration showing our new design; FIG. 26 is a rear perspective view thereof; FIG. 27 is a front elevation thereof; FIG. 28 is a rear elevation thereof; FIG. 29 is a top plan view thereof; FIG. 30 is a bottom plan view thereof; FIG. 31 is a left side elevation thereof; FIG. 32 is a right side elevation thereof; FIG. 33 is a front perspective view of a fifth embodiment of the electrical power unit for a work surface in an open configuration showing our new design; FIG. 34 is a rear perspective view thereof; FIG. 35 is a front elevation thereof; FIG. 36 is a rear elevation thereof; FIG. 37 is a top plan view thereof; FIG. 38 is a bottom plan view thereof;

FIG. **39** is a left side elevation thereof; and,
FIG. **40** is a right side elevation thereof.
In the drawings, the broken lines are for the purpose of
illustrating environment only and form no part of the
claimed design.

1 Claim, 20 Drawing Sheets

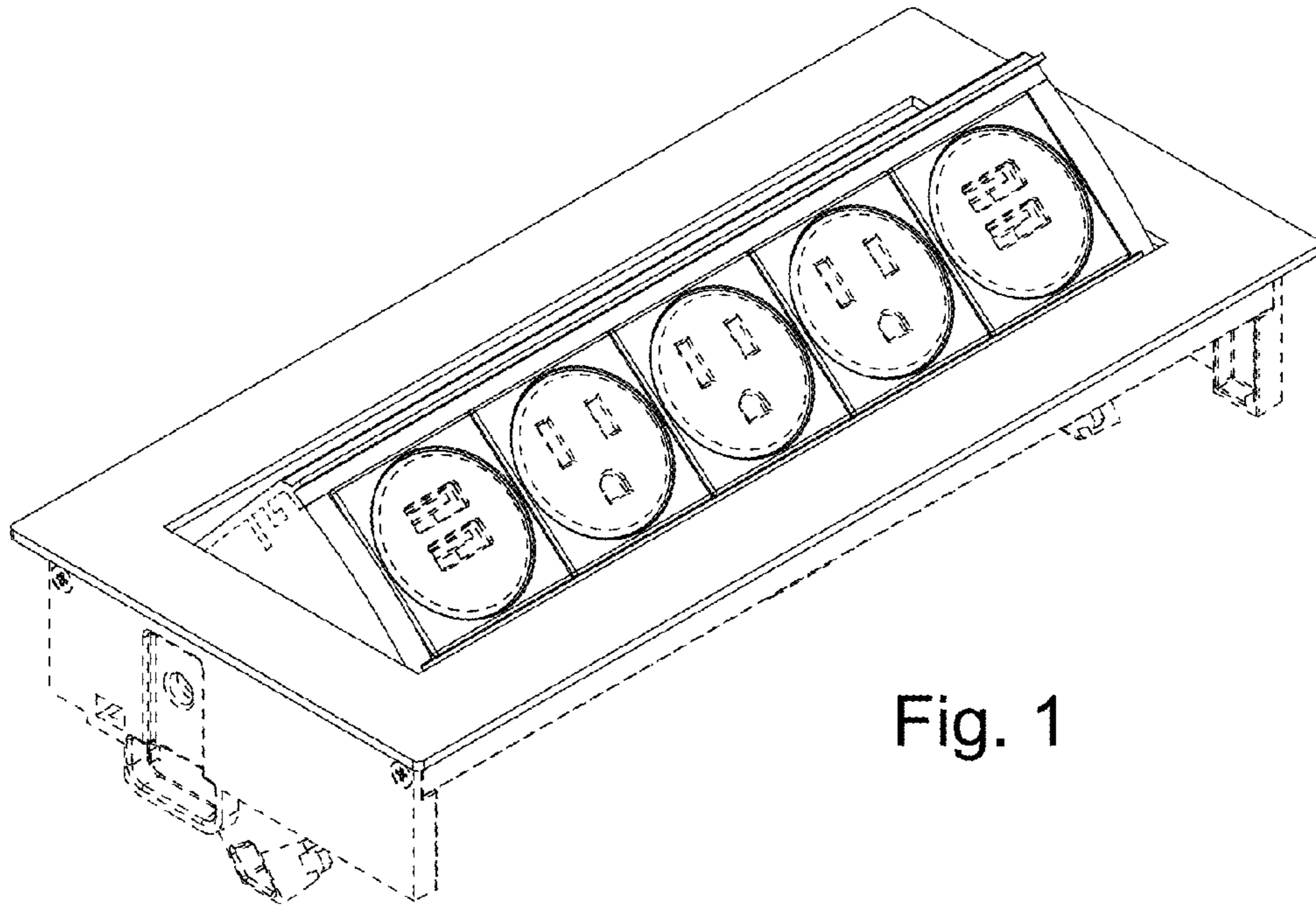


Fig. 1

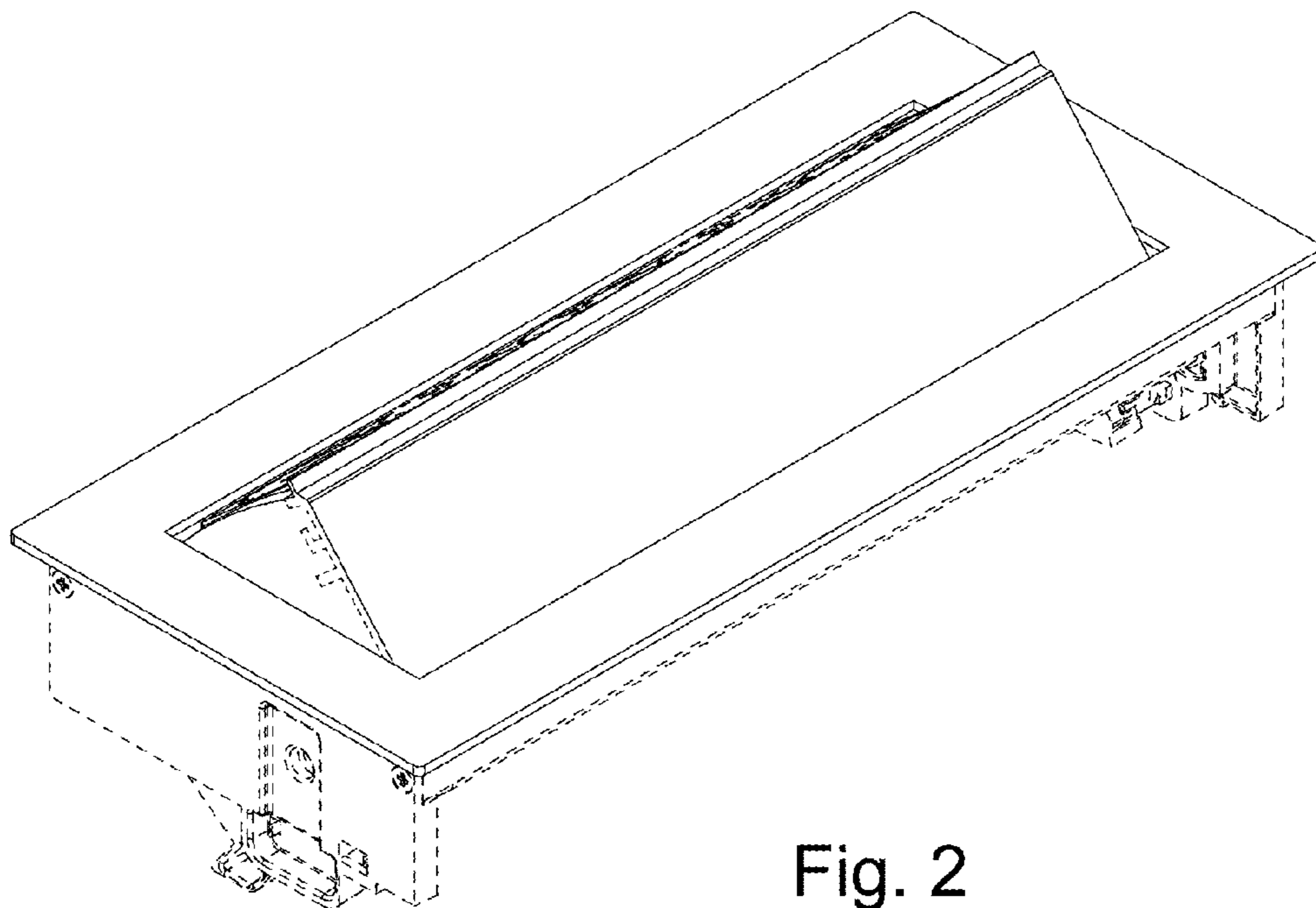


Fig. 2

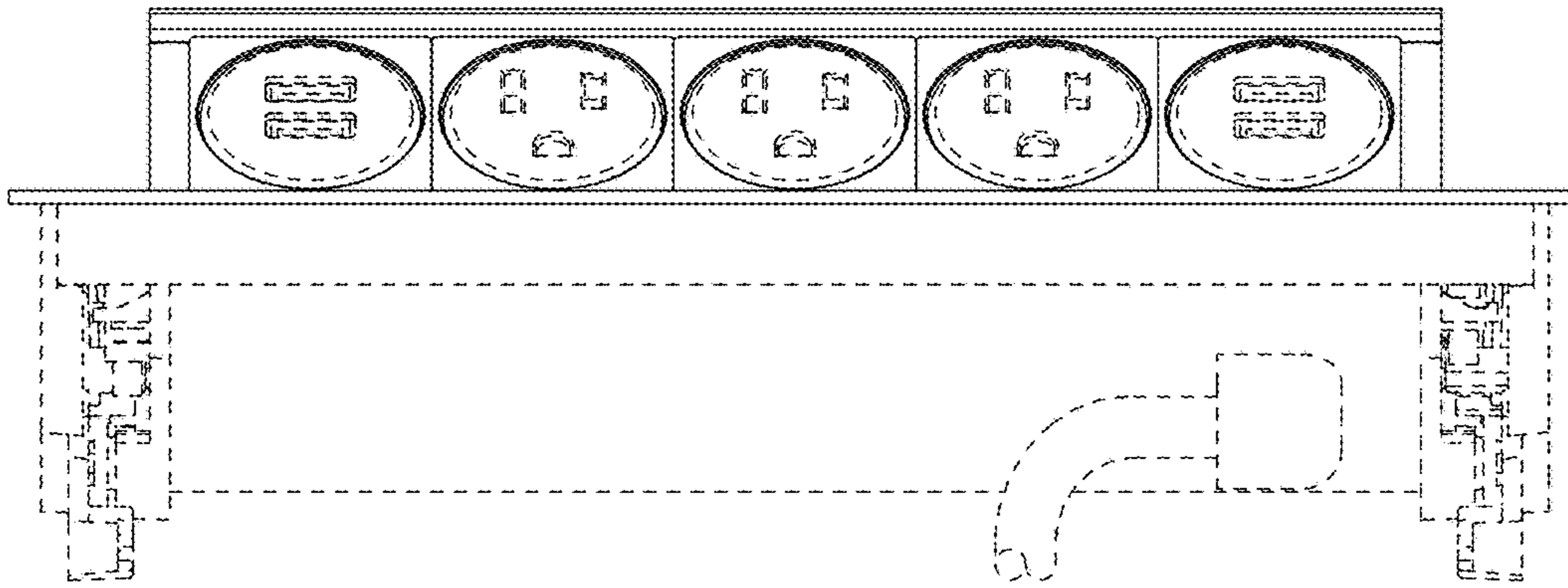


Fig. 3

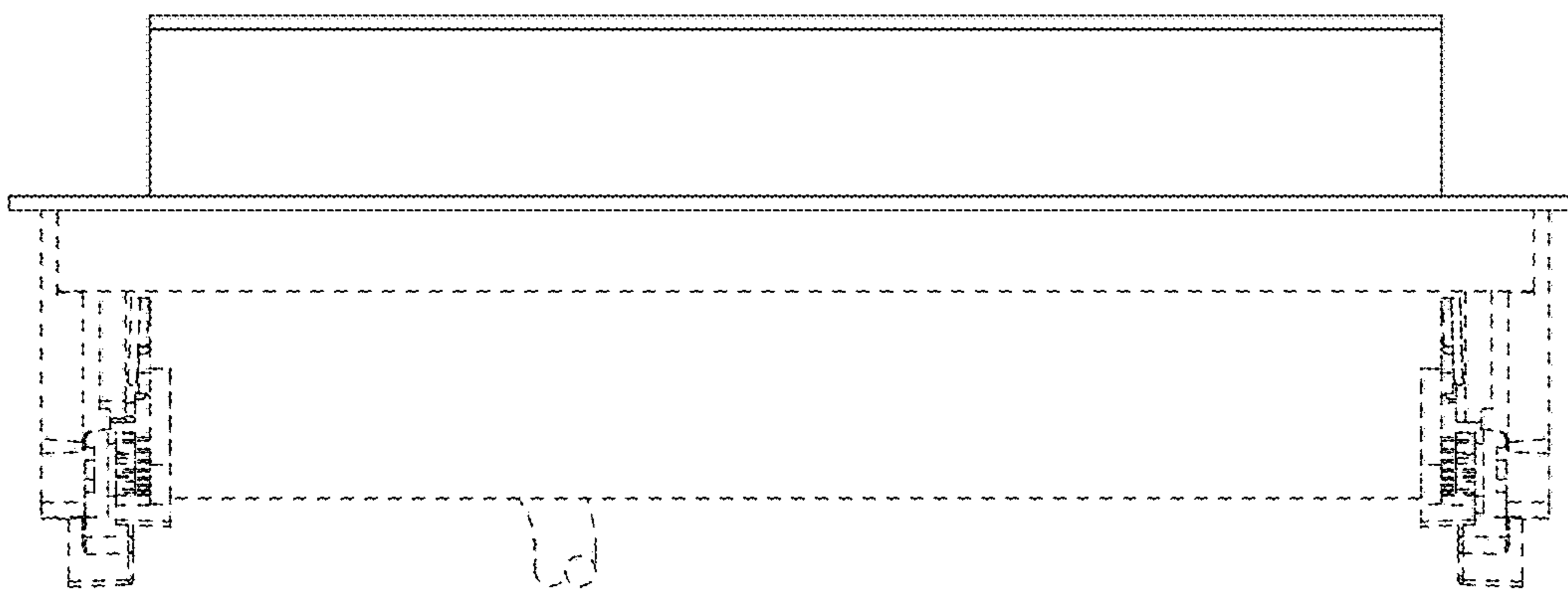


Fig. 4

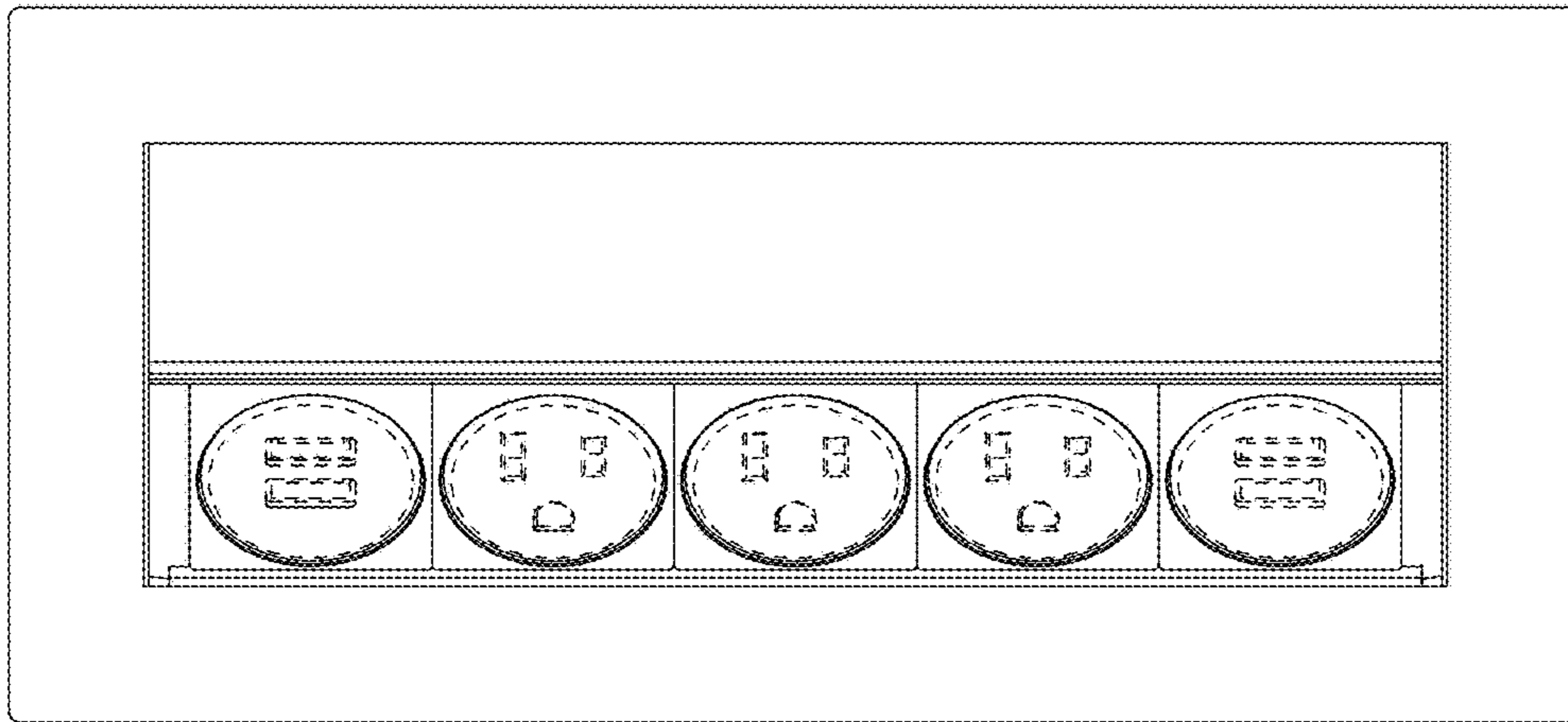


Fig. 5

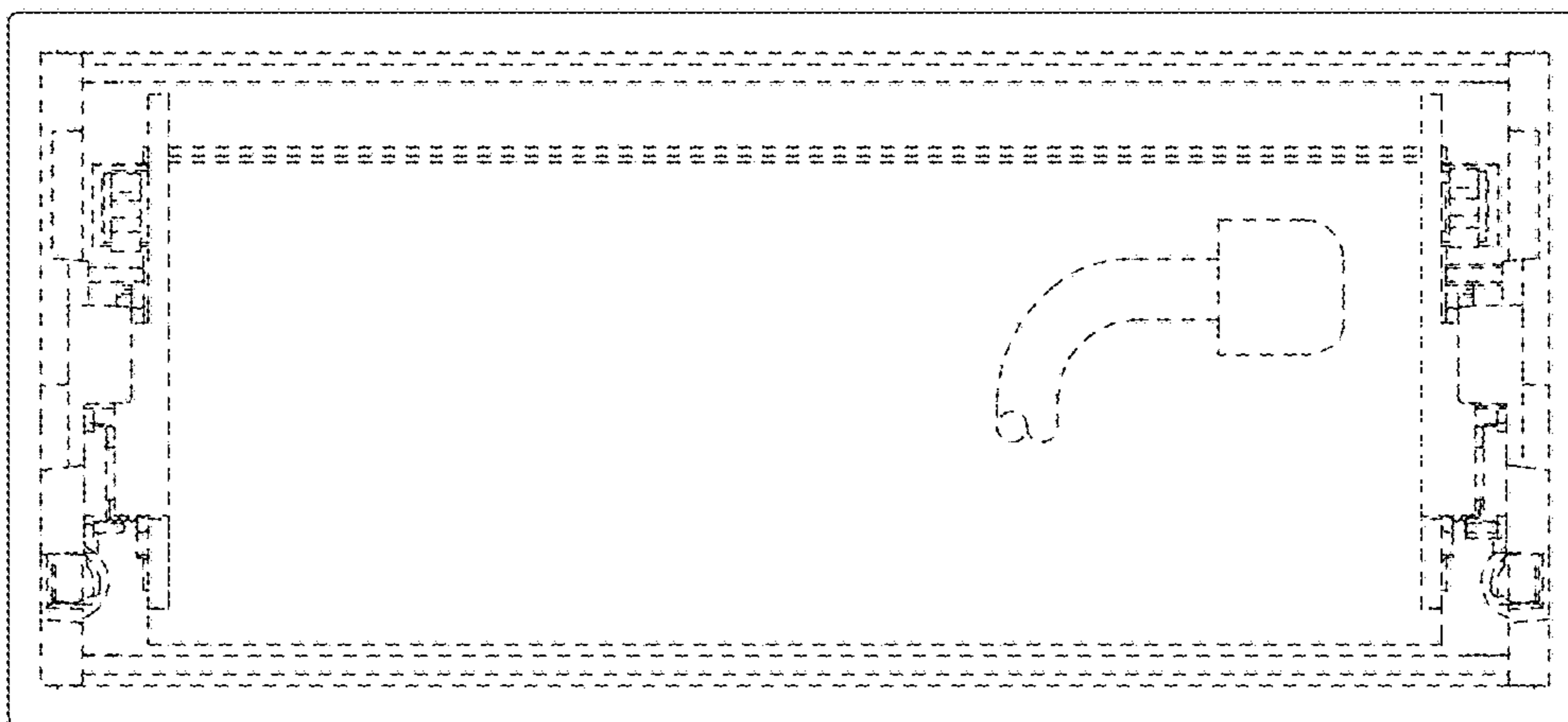


Fig. 6

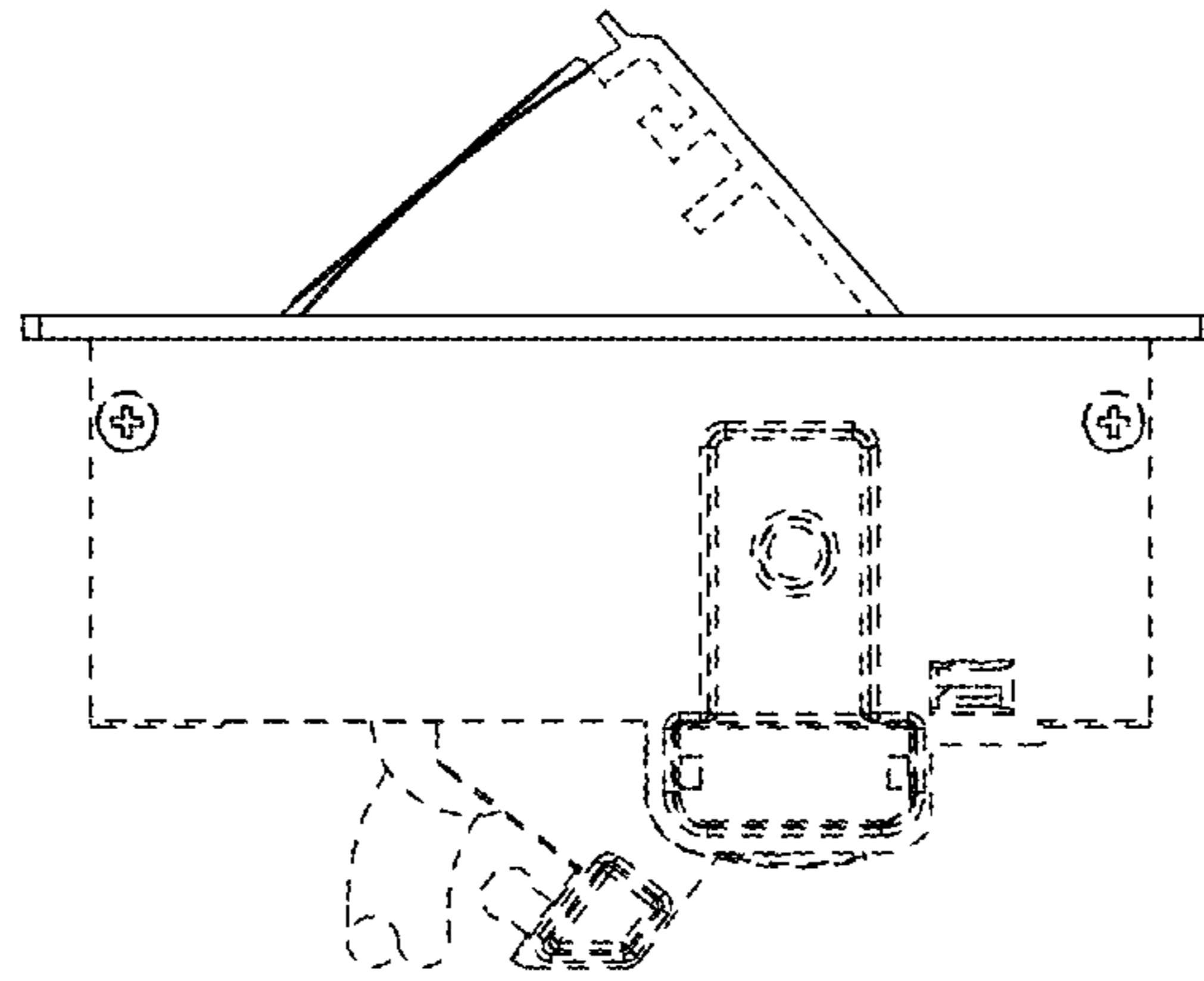


Fig. 7

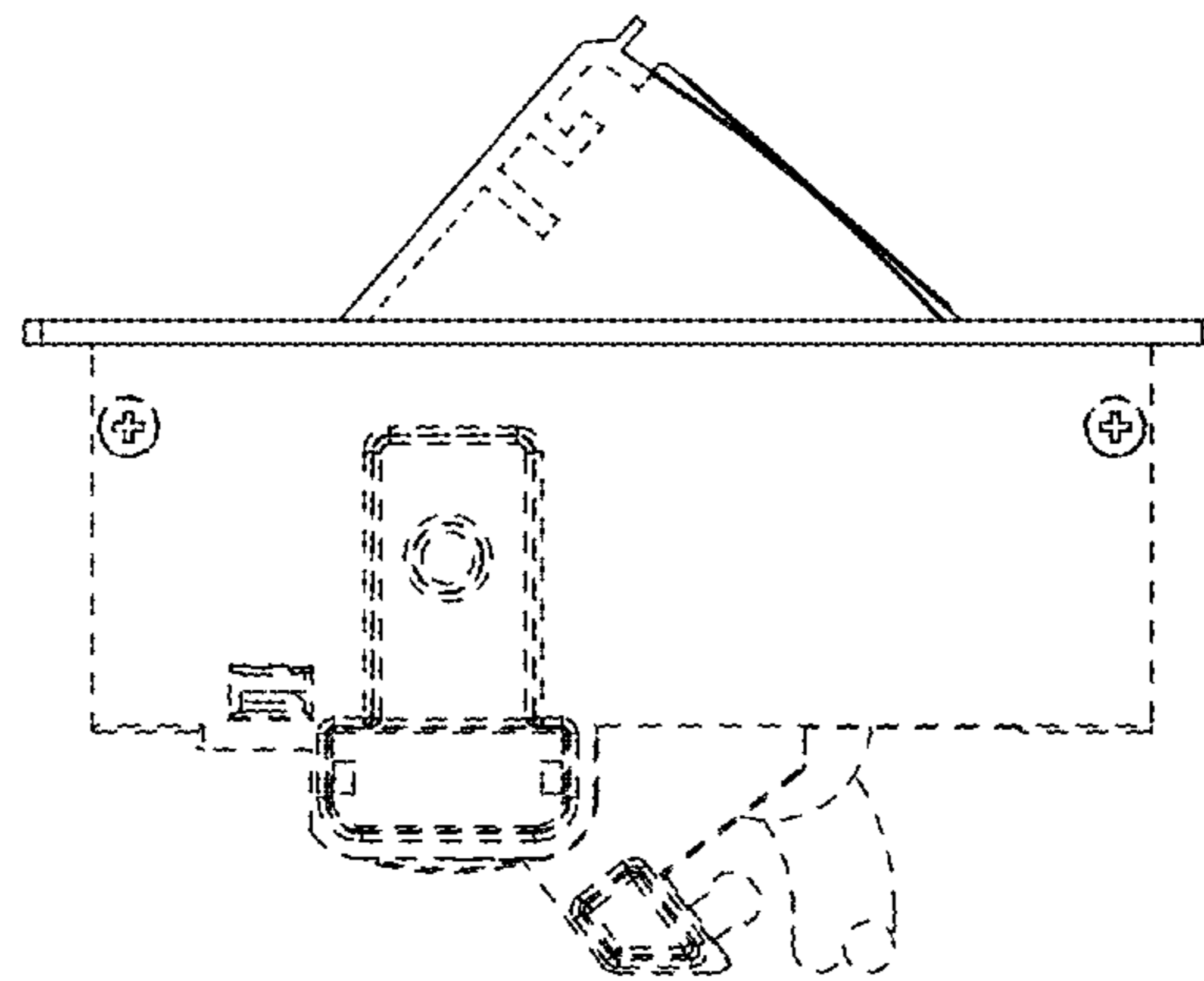


Fig. 8

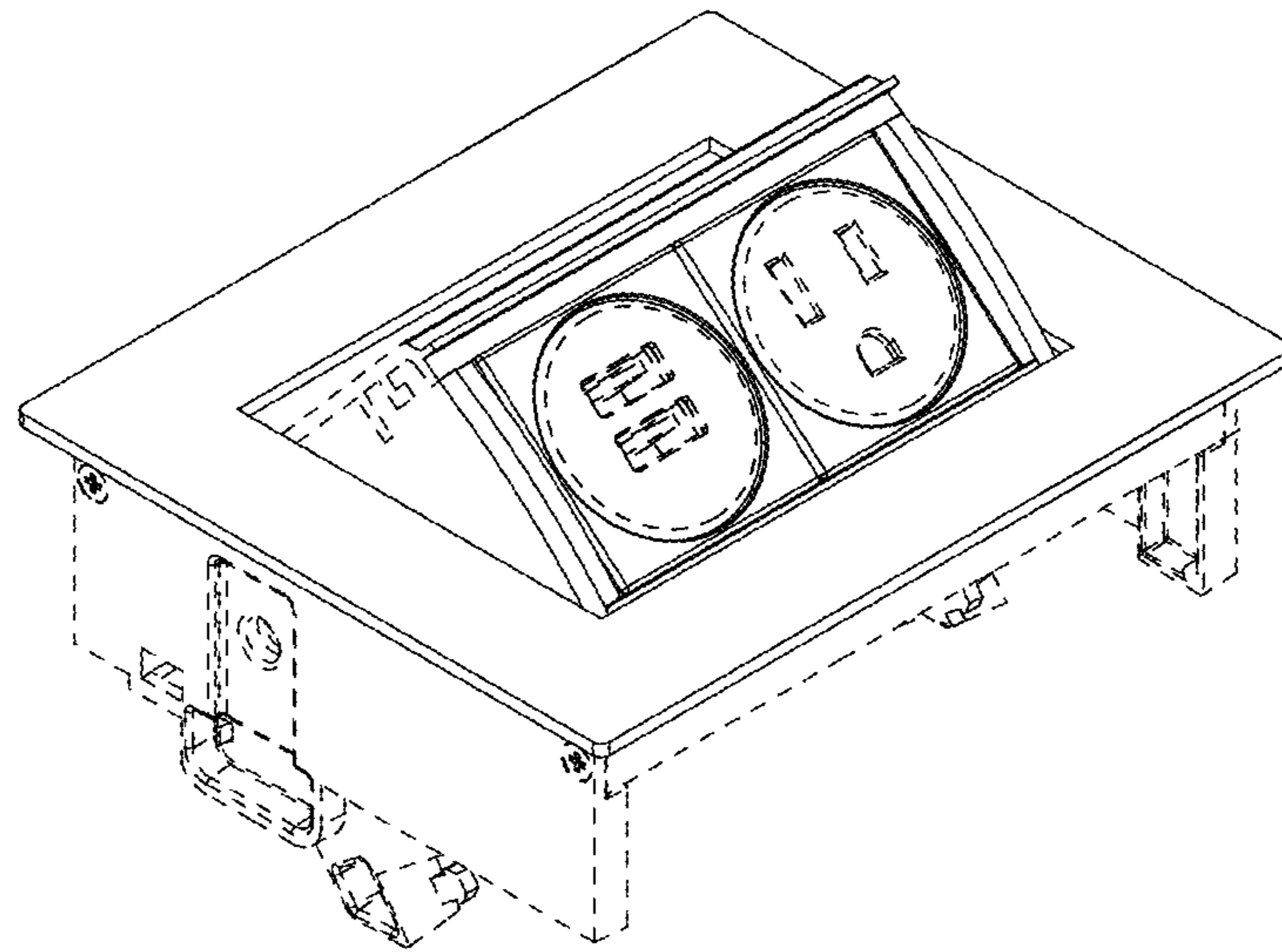


Fig. 9

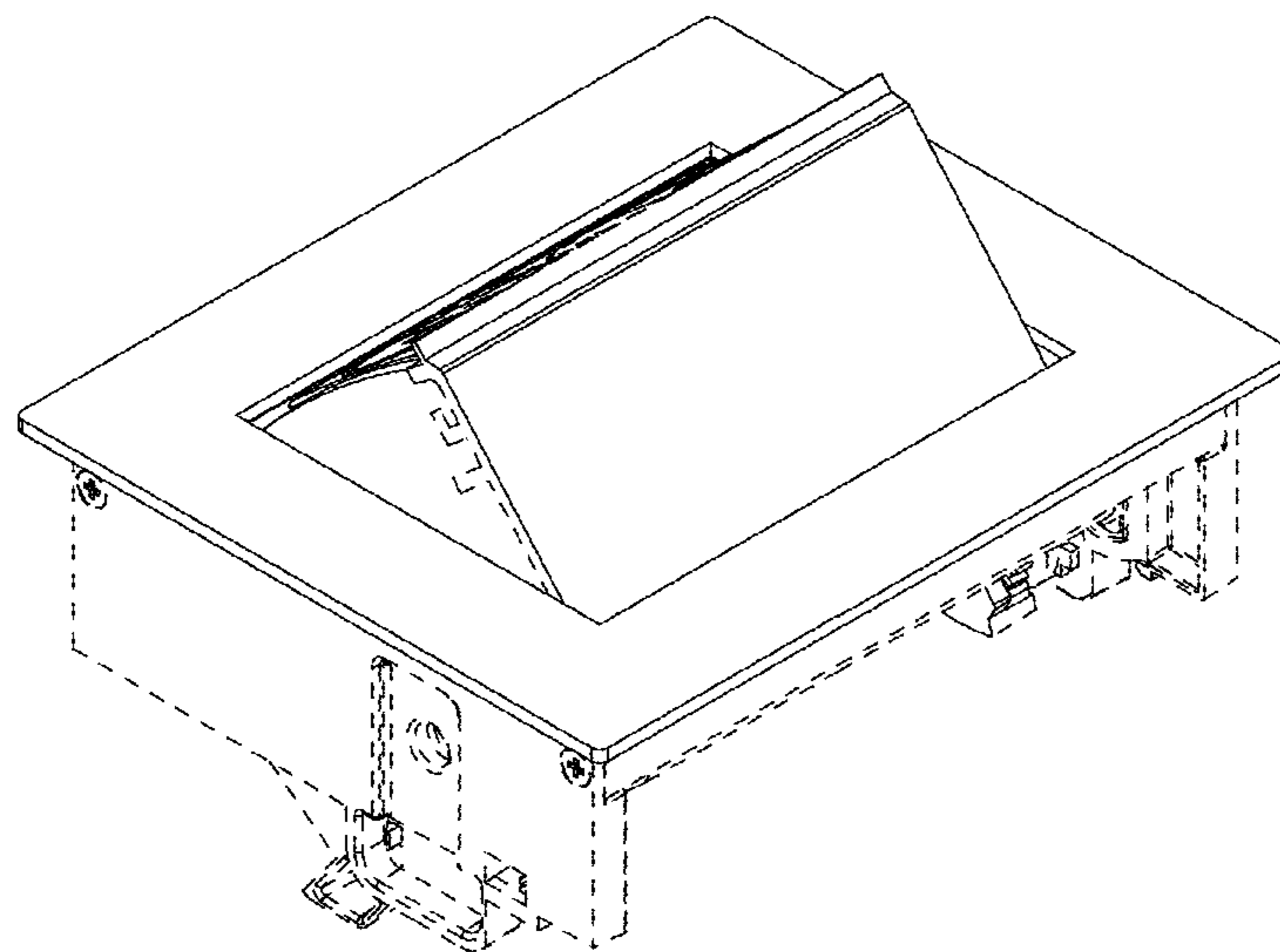


Fig. 10

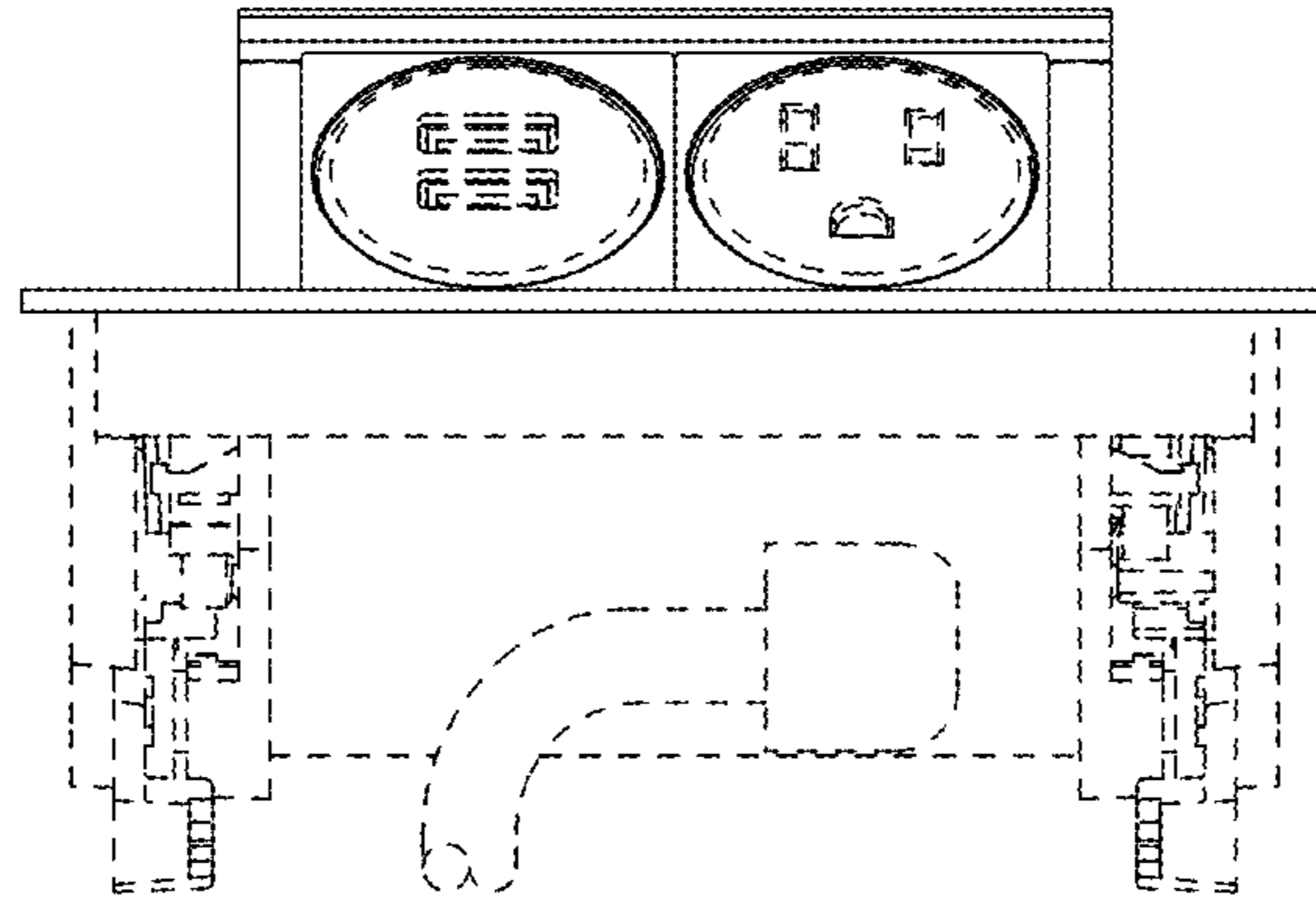


Fig. 11

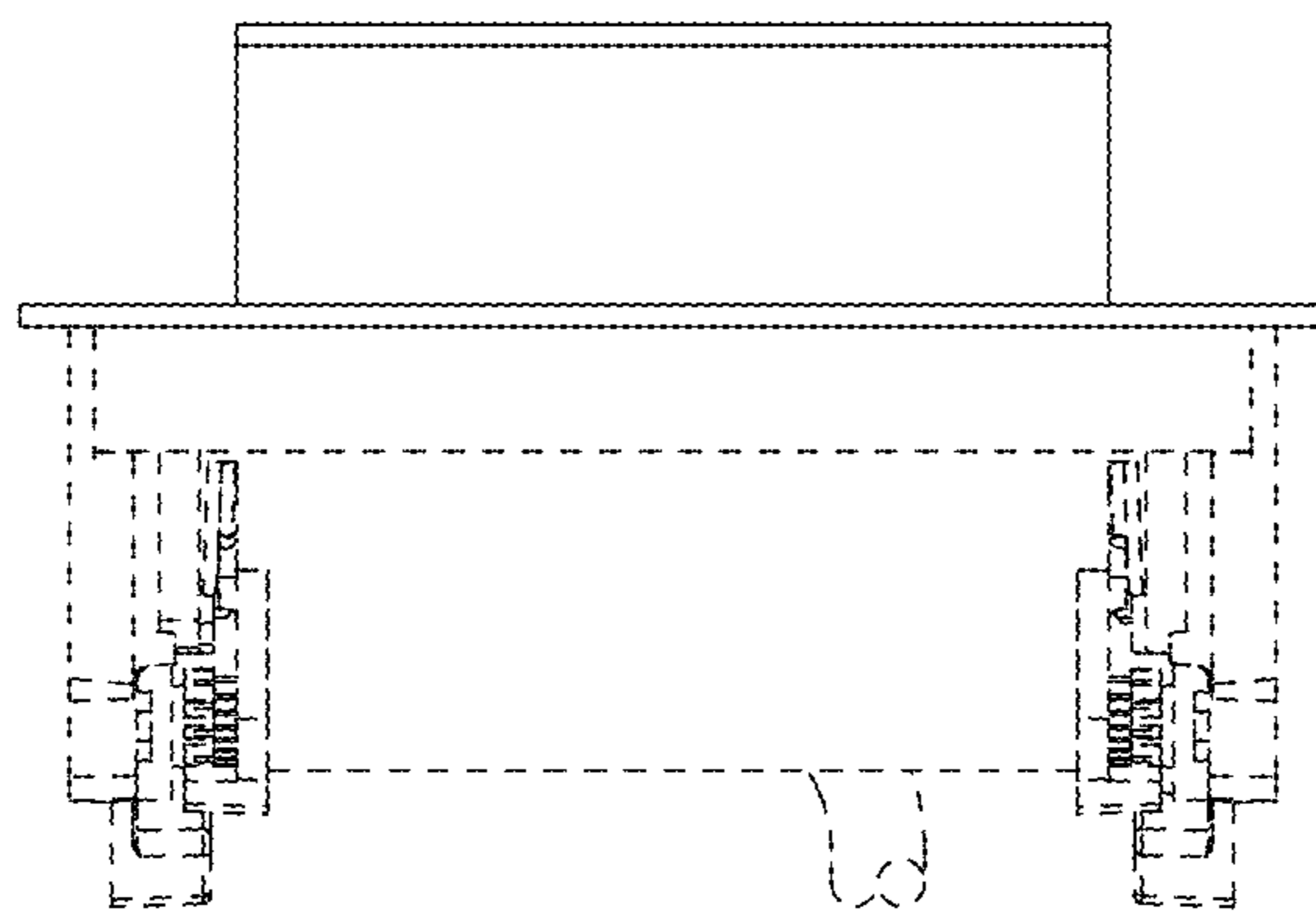


Fig. 12

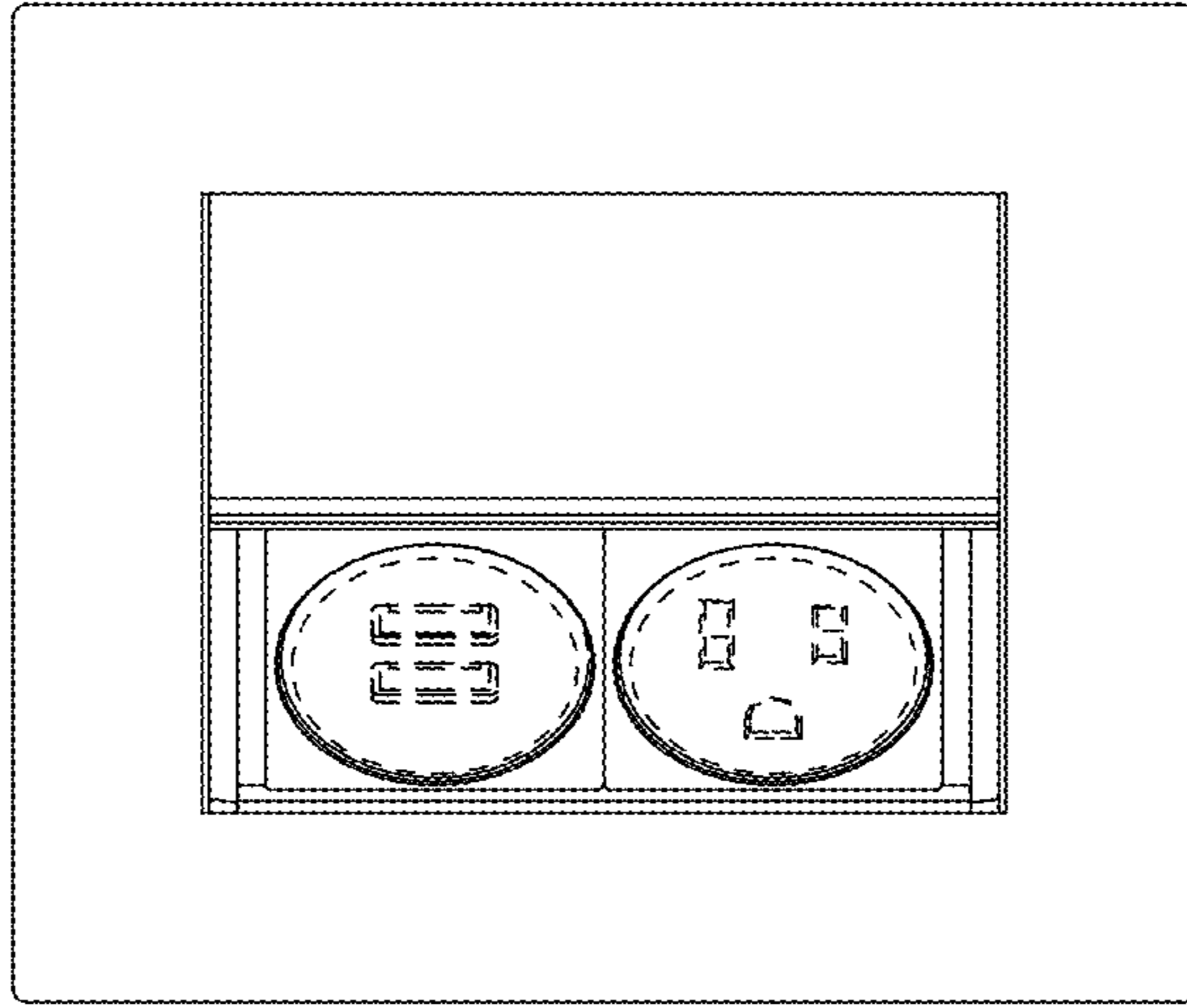


Fig. 13

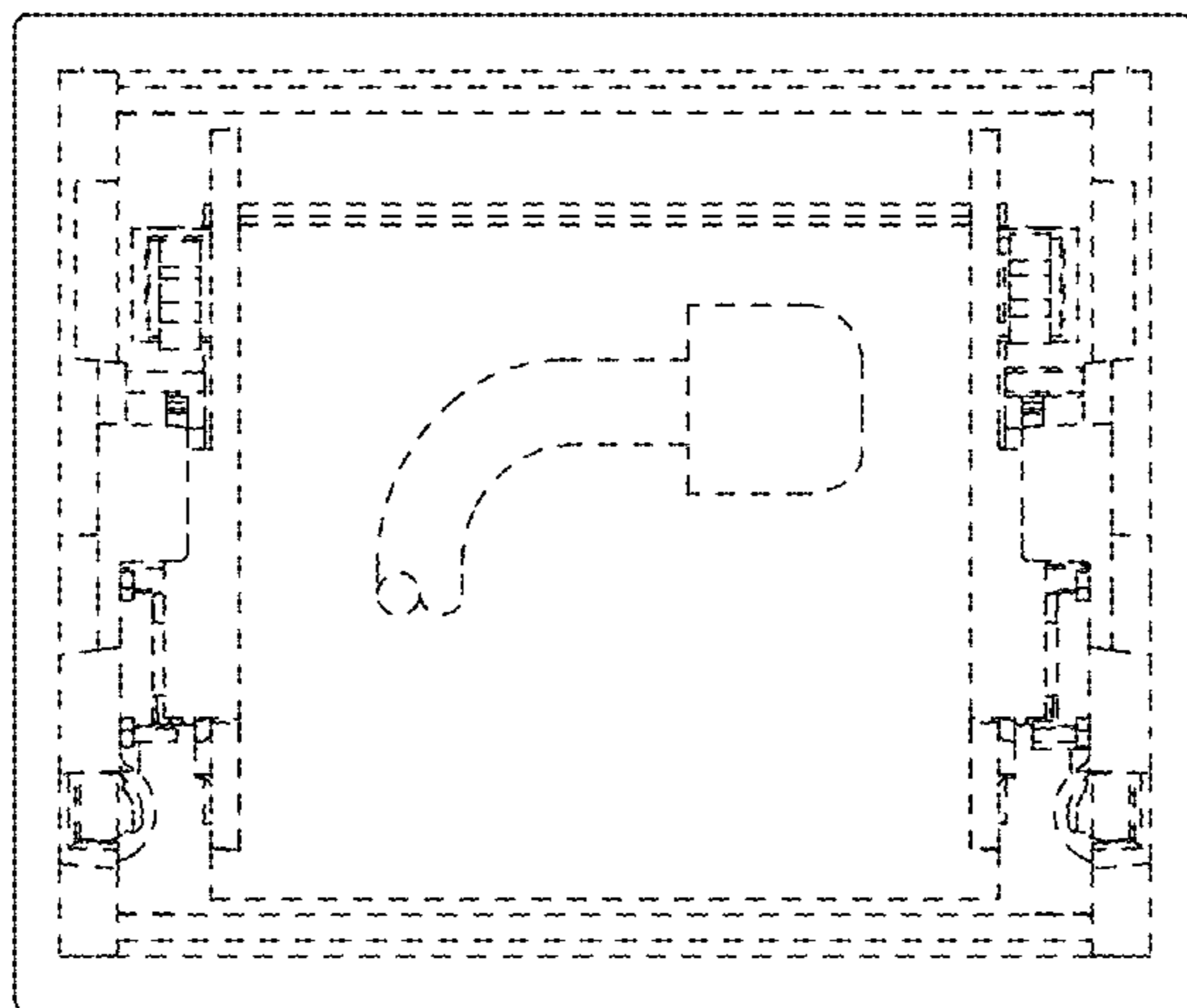


Fig. 14

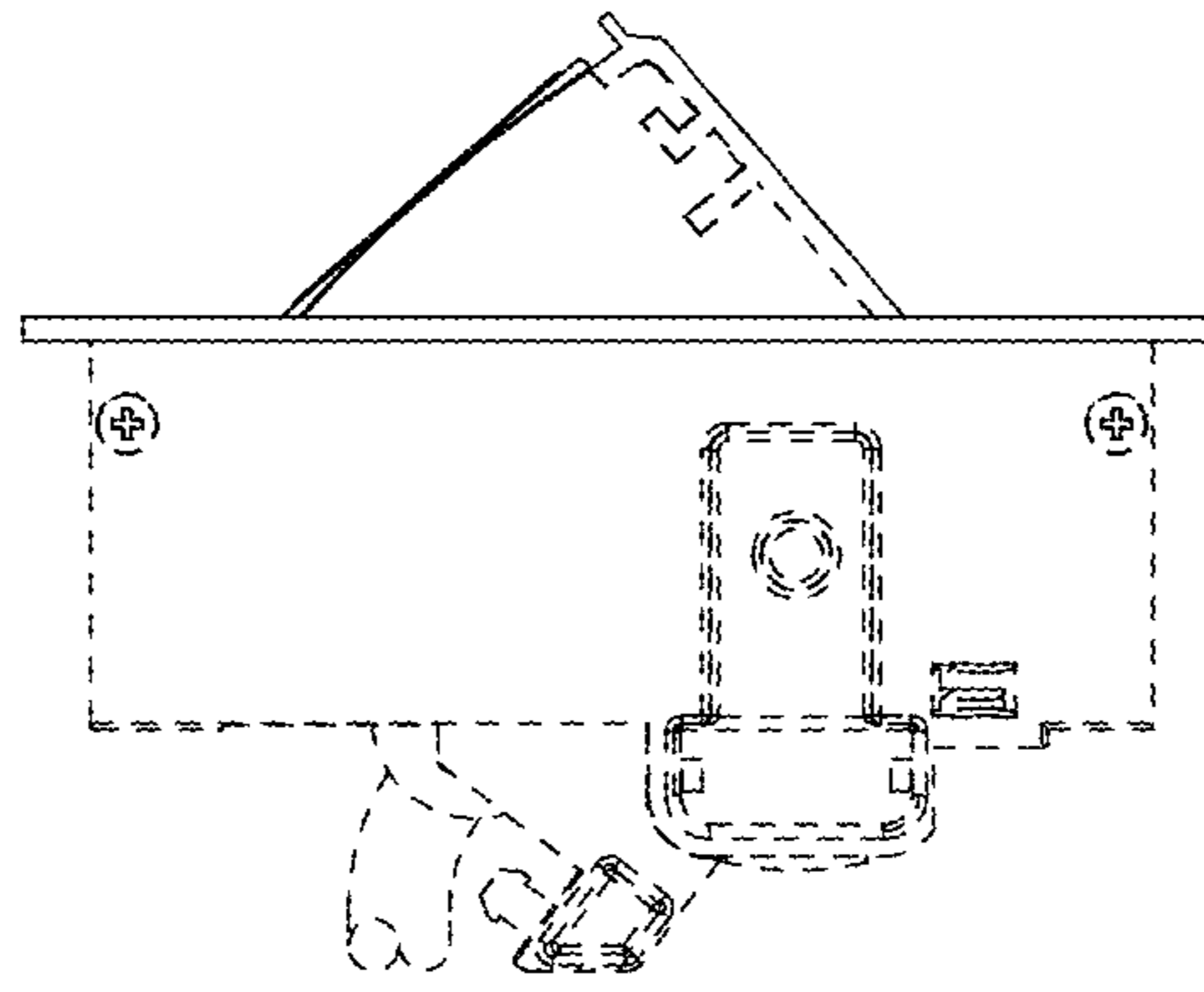


Fig. 15

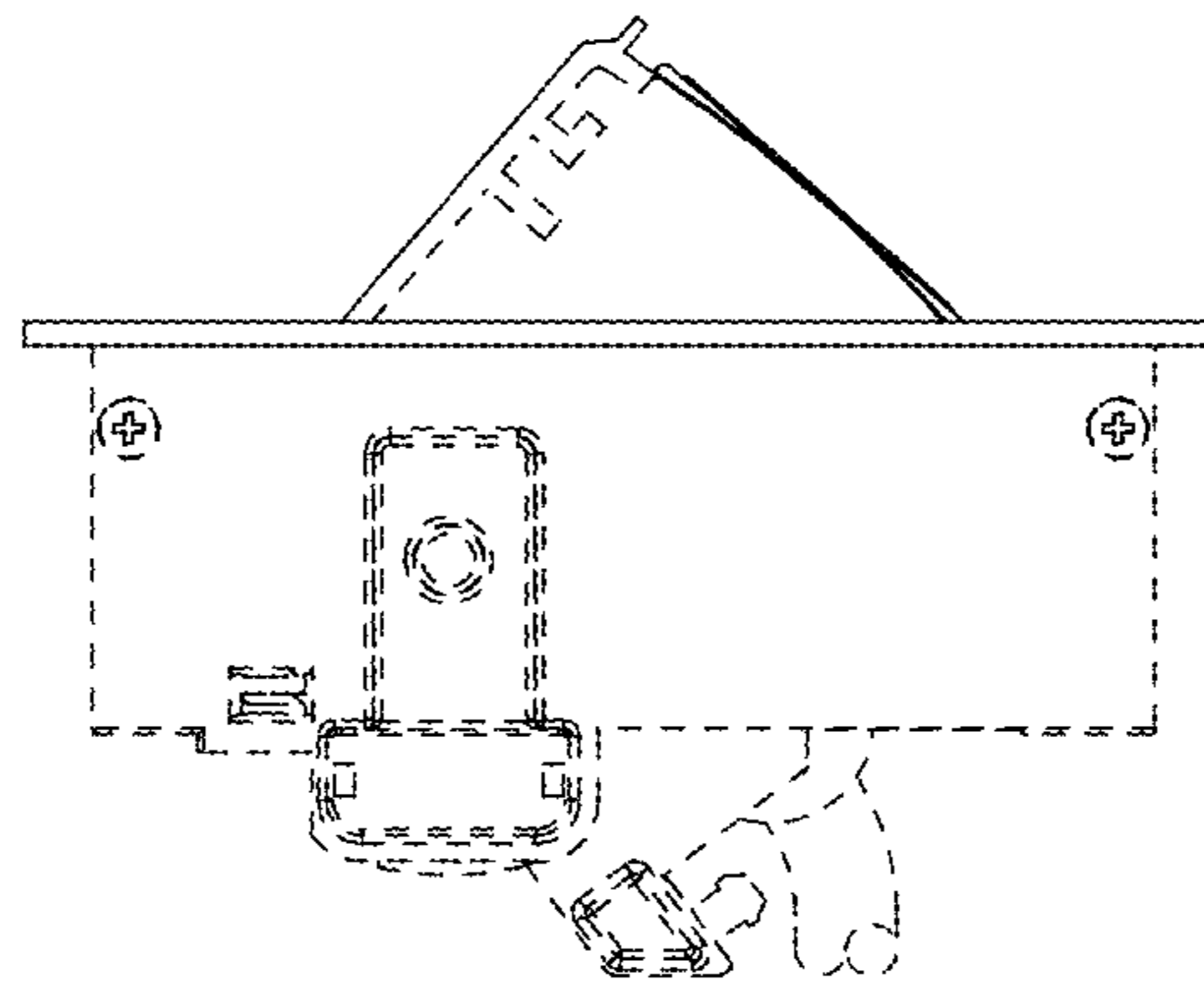


Fig. 16

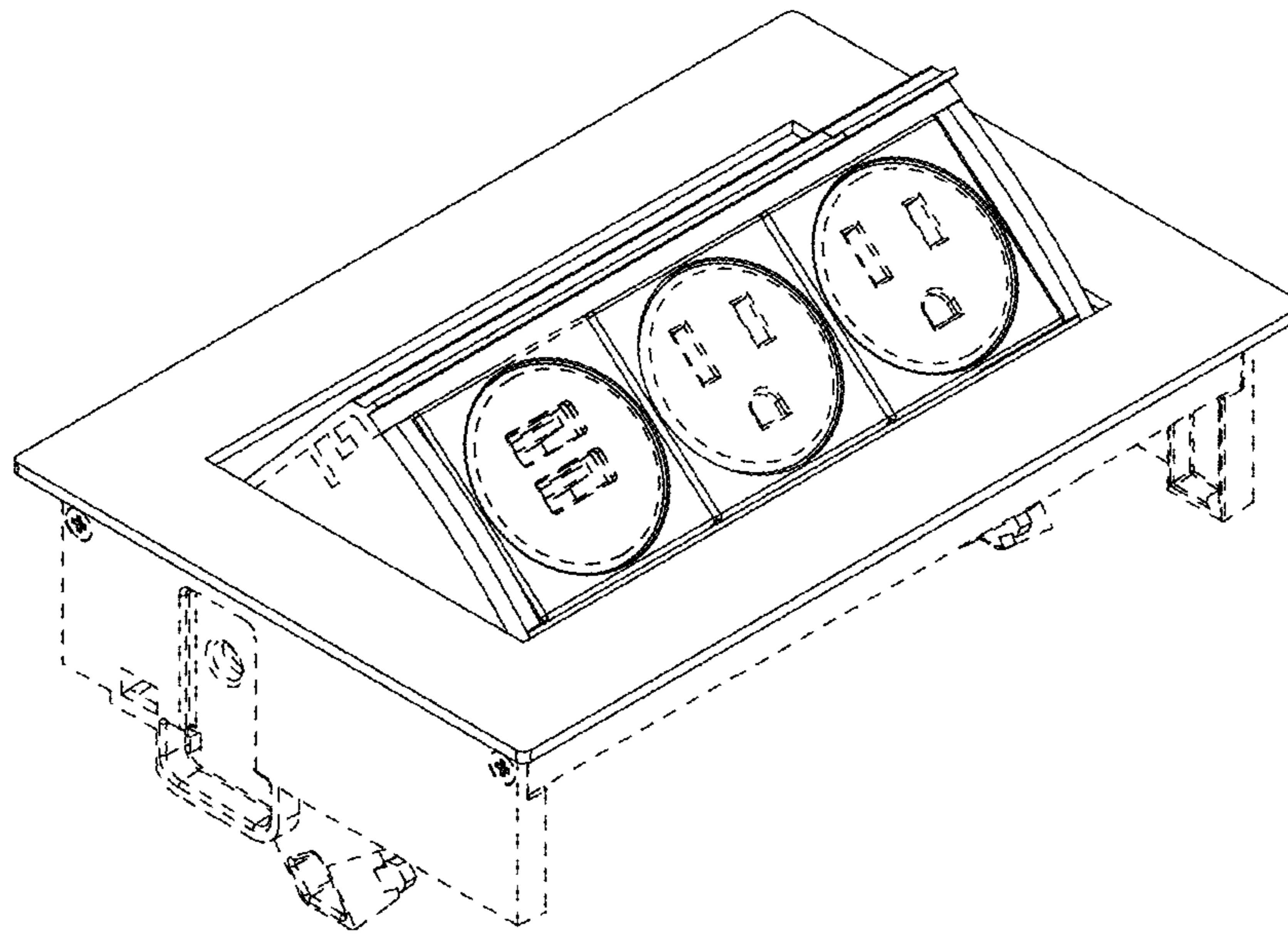


Fig. 17

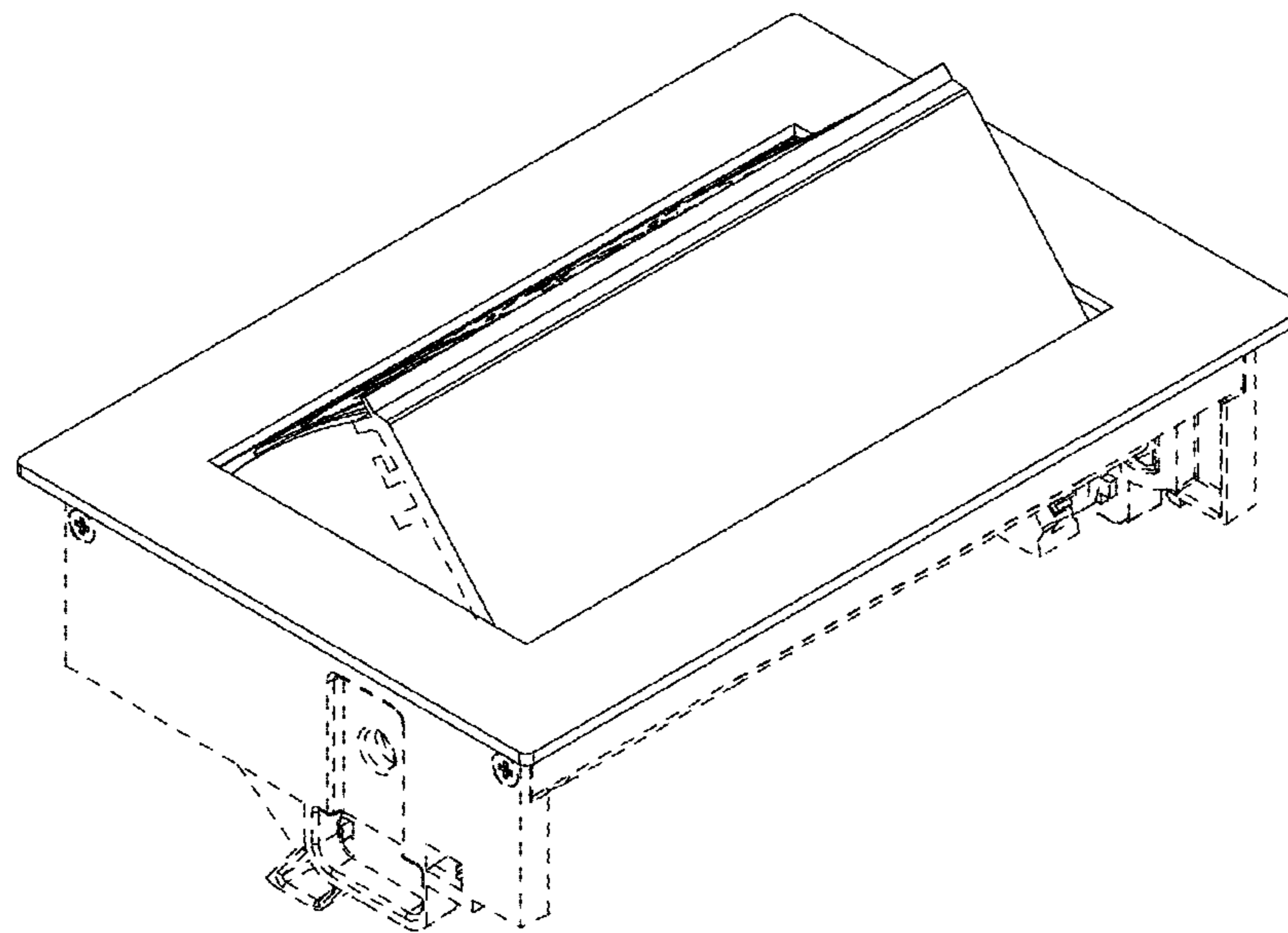


Fig. 18

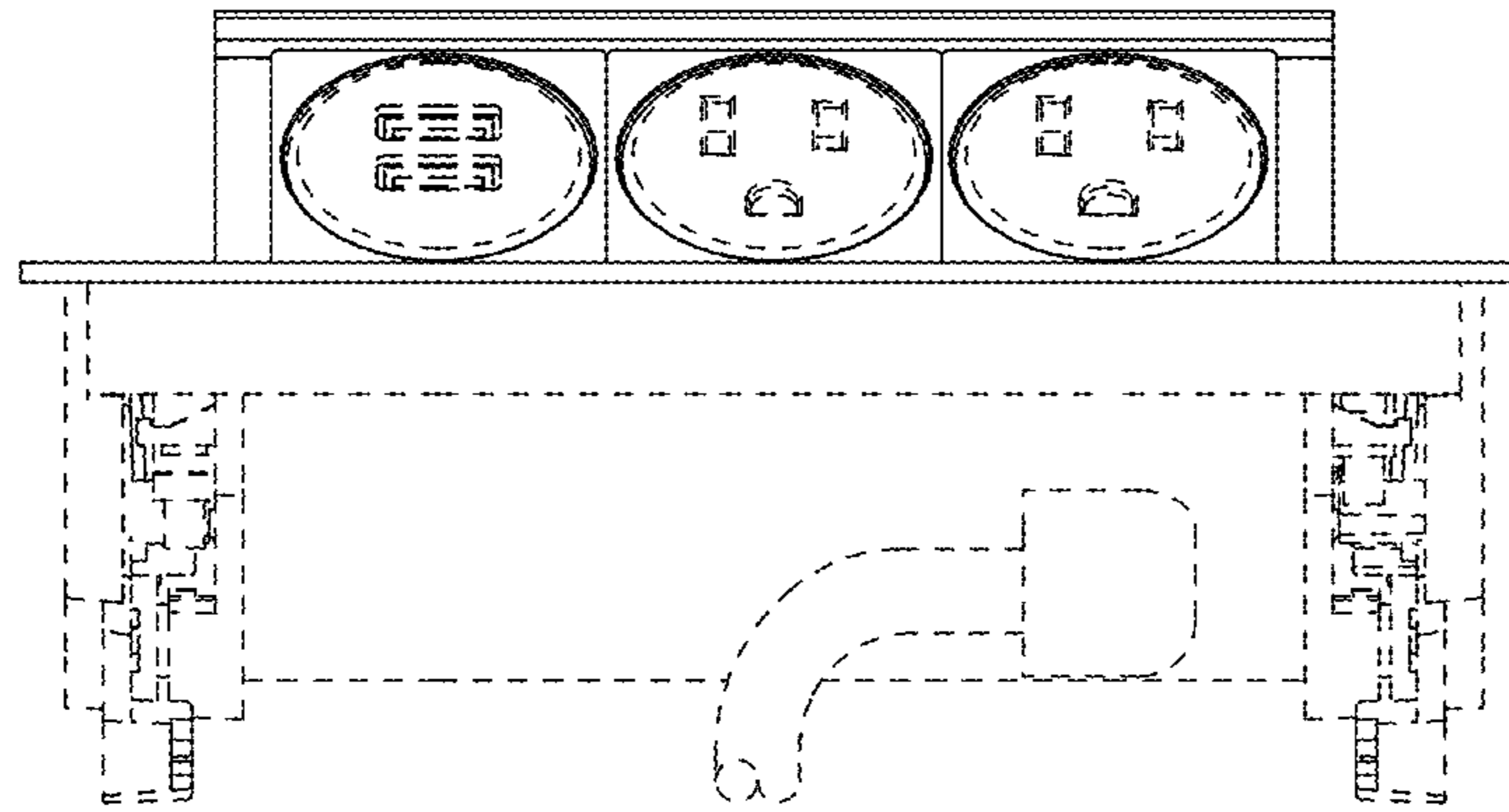


Fig. 19

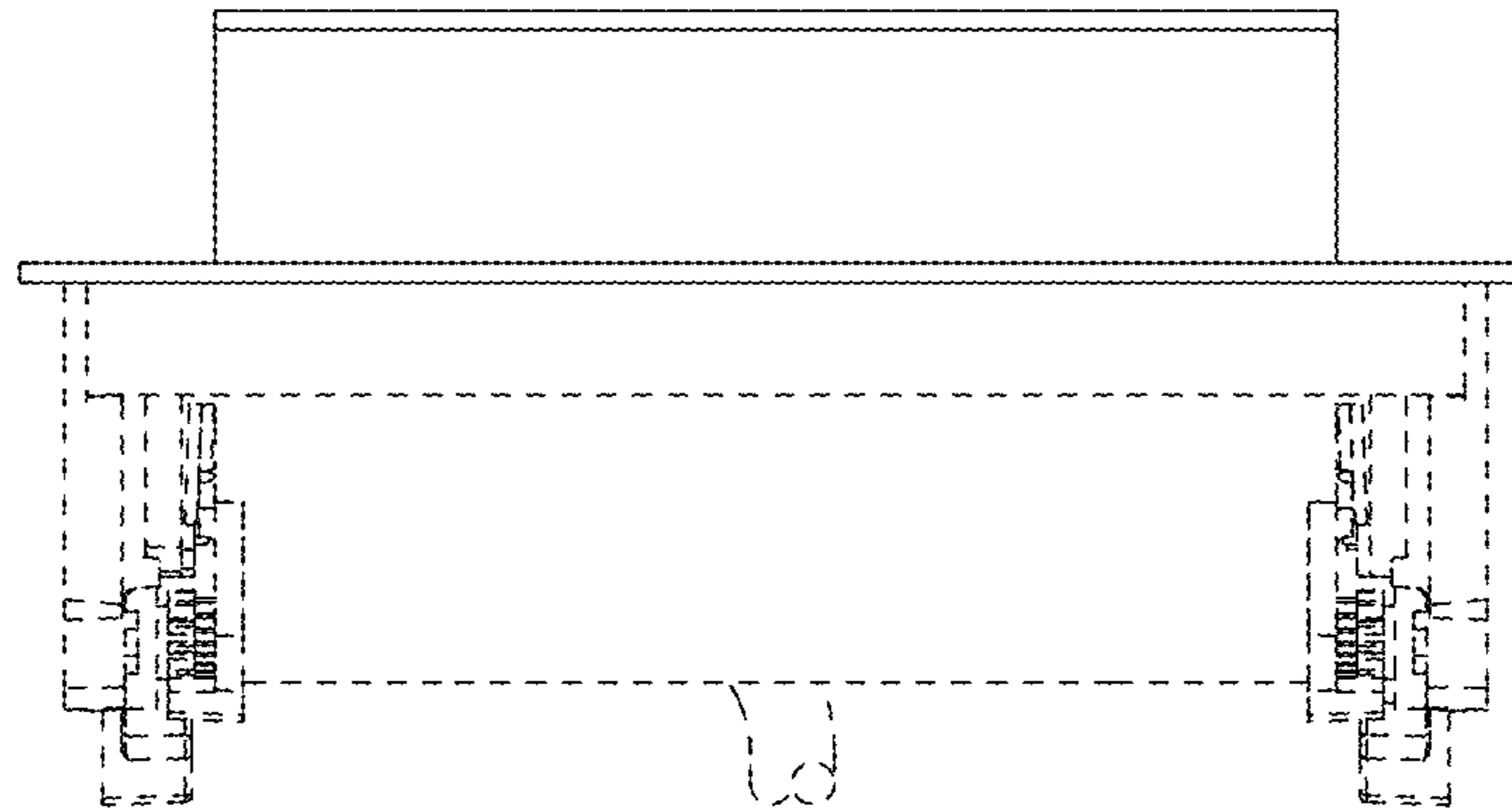


Fig. 20

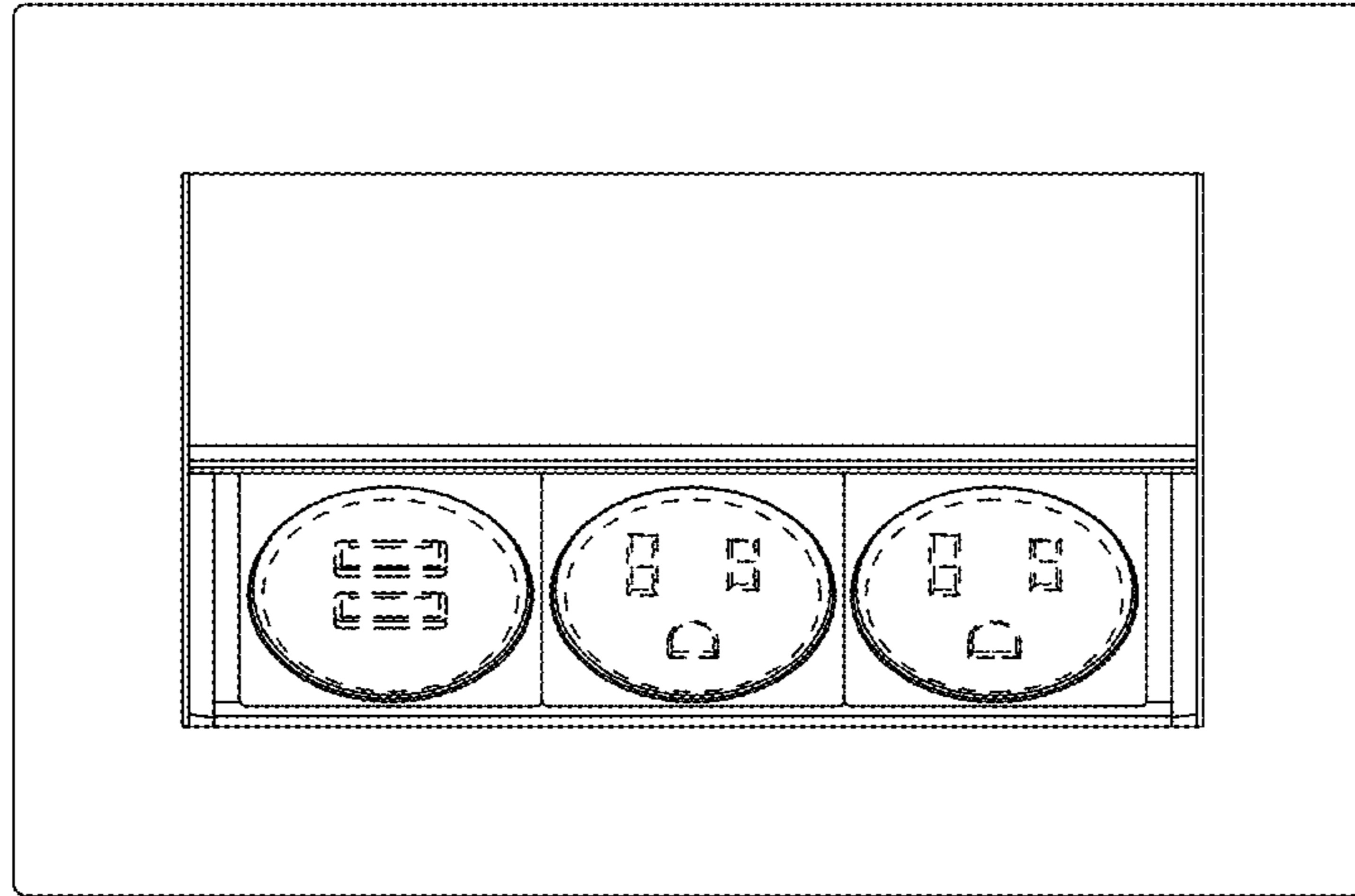


Fig. 21

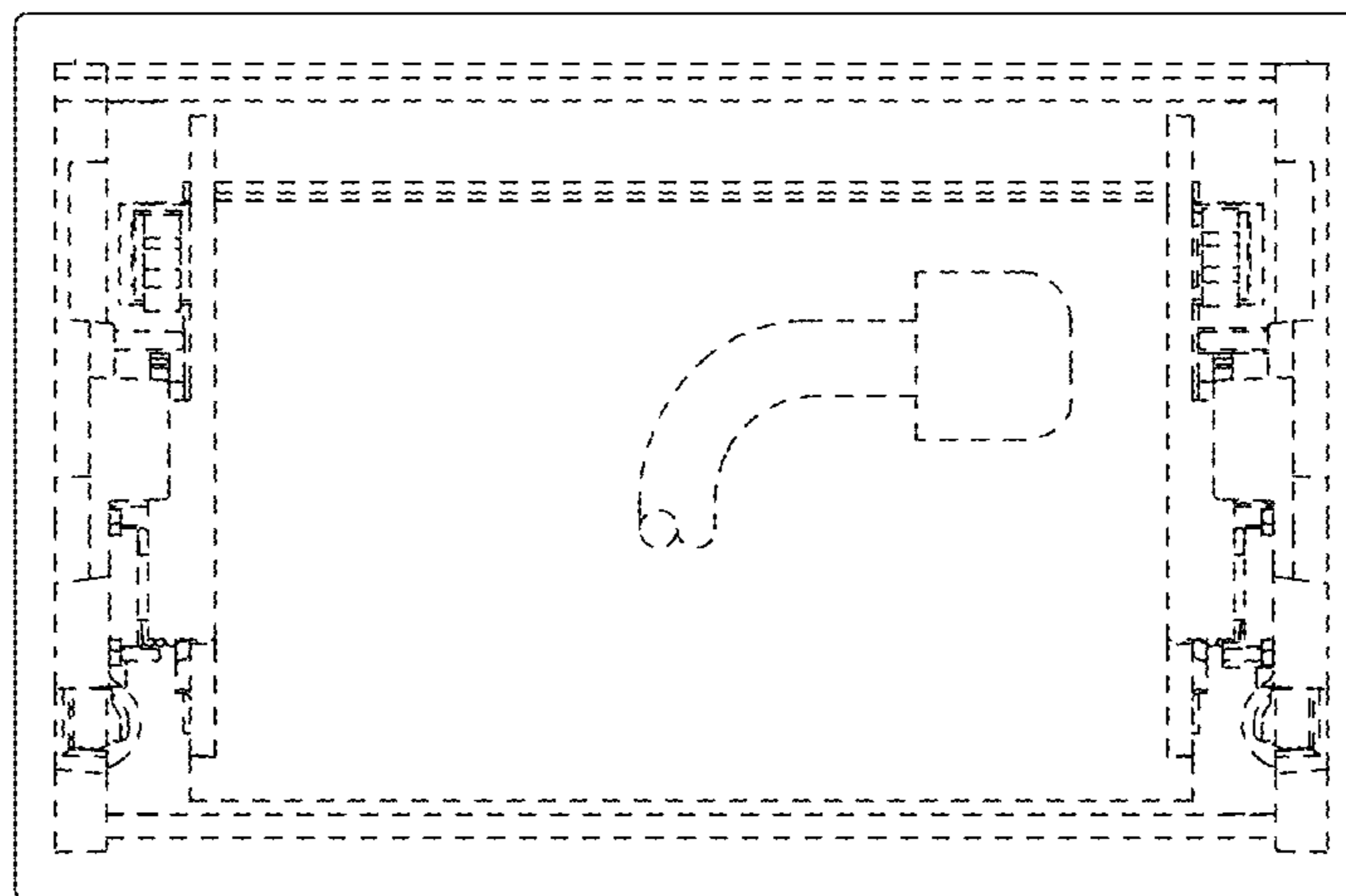


Fig. 22

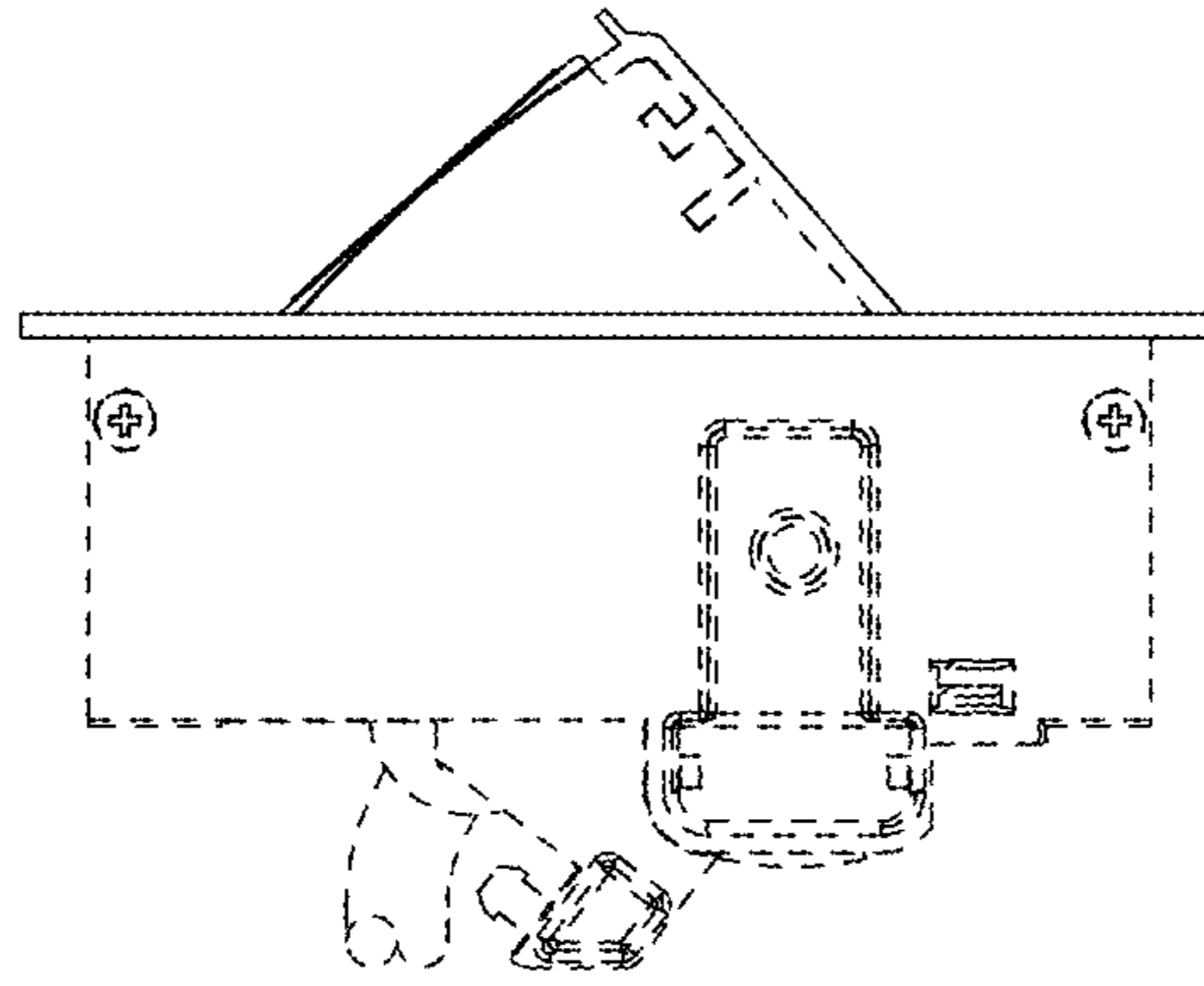


Fig. 23

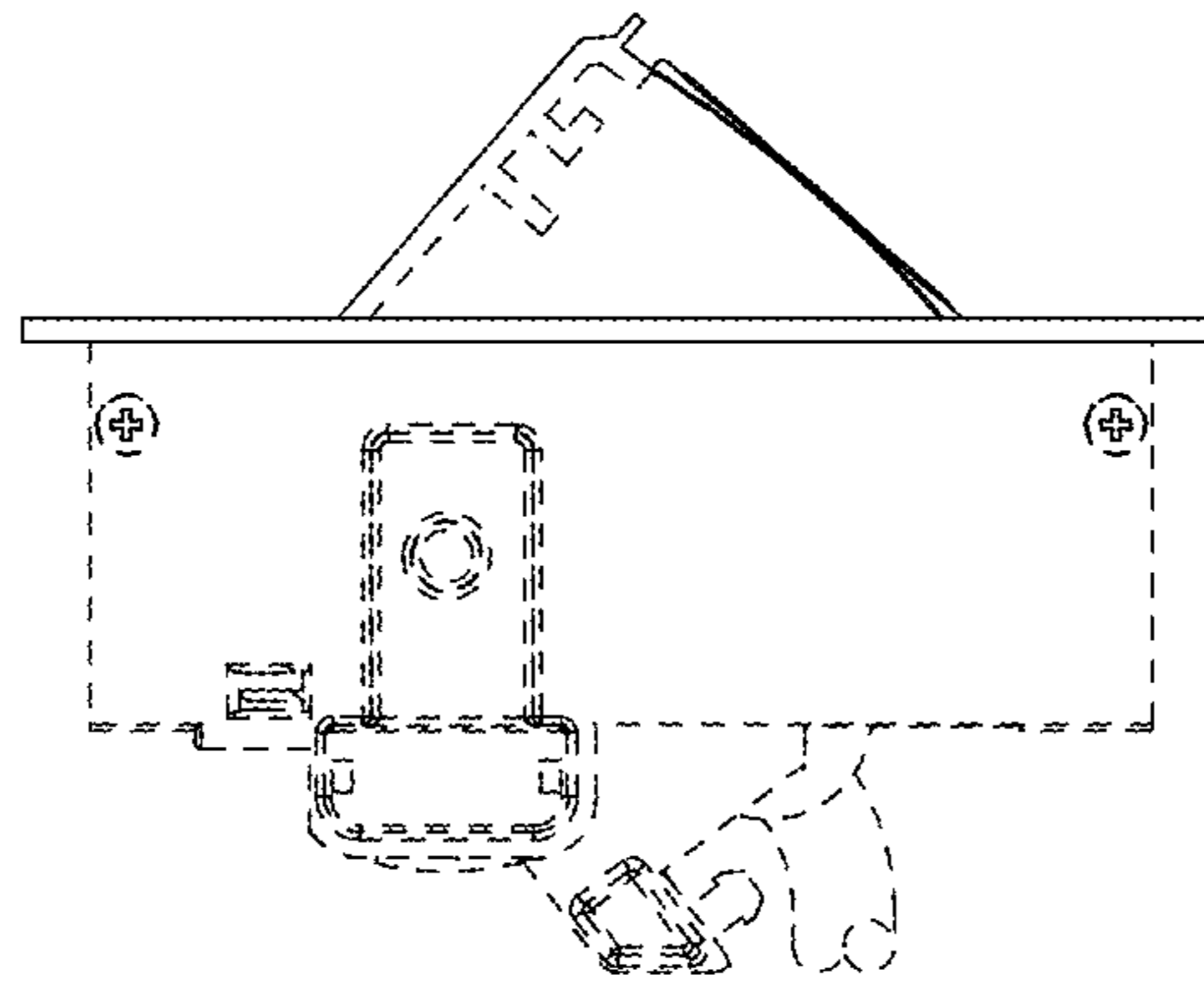


Fig. 24

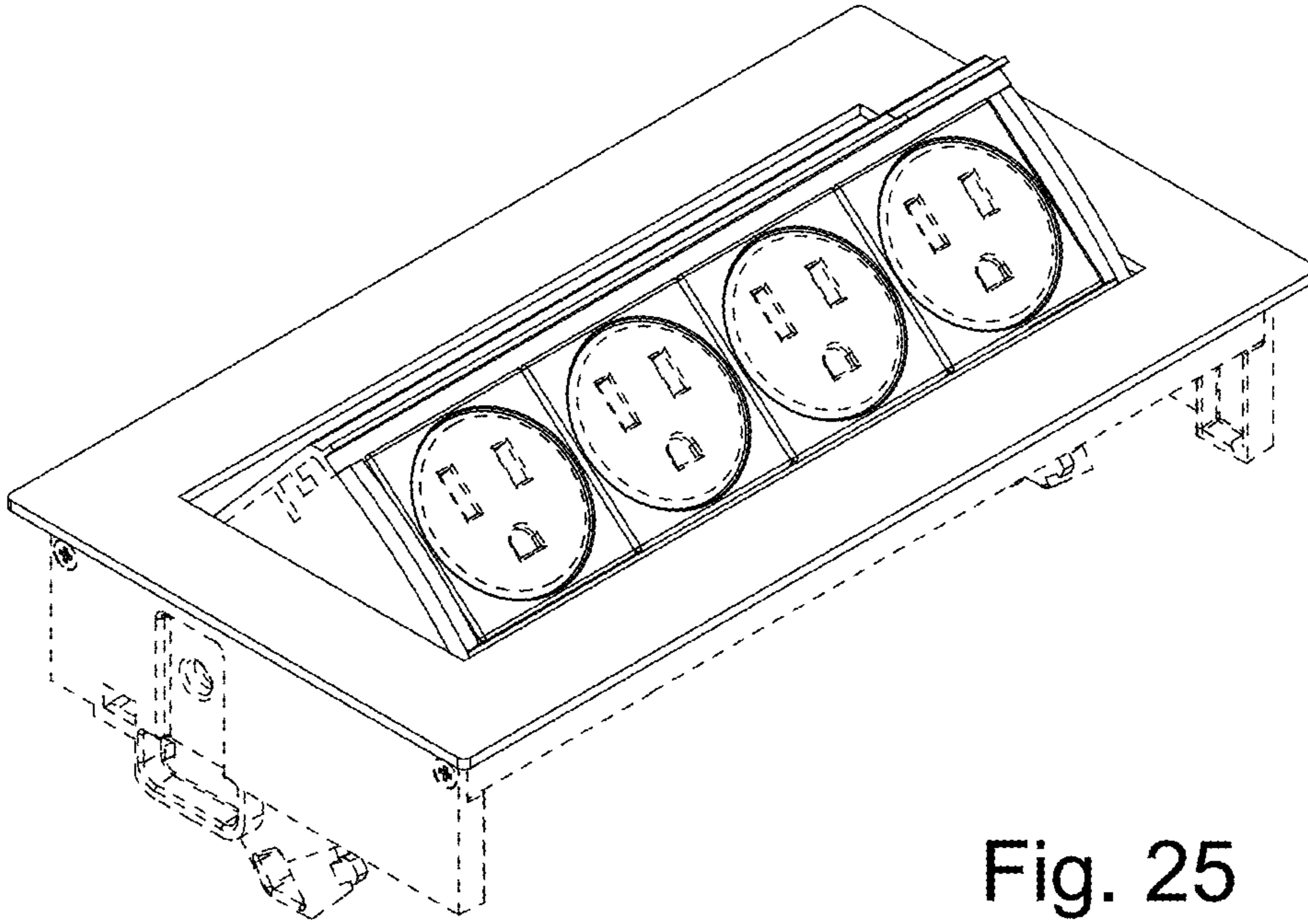


Fig. 25

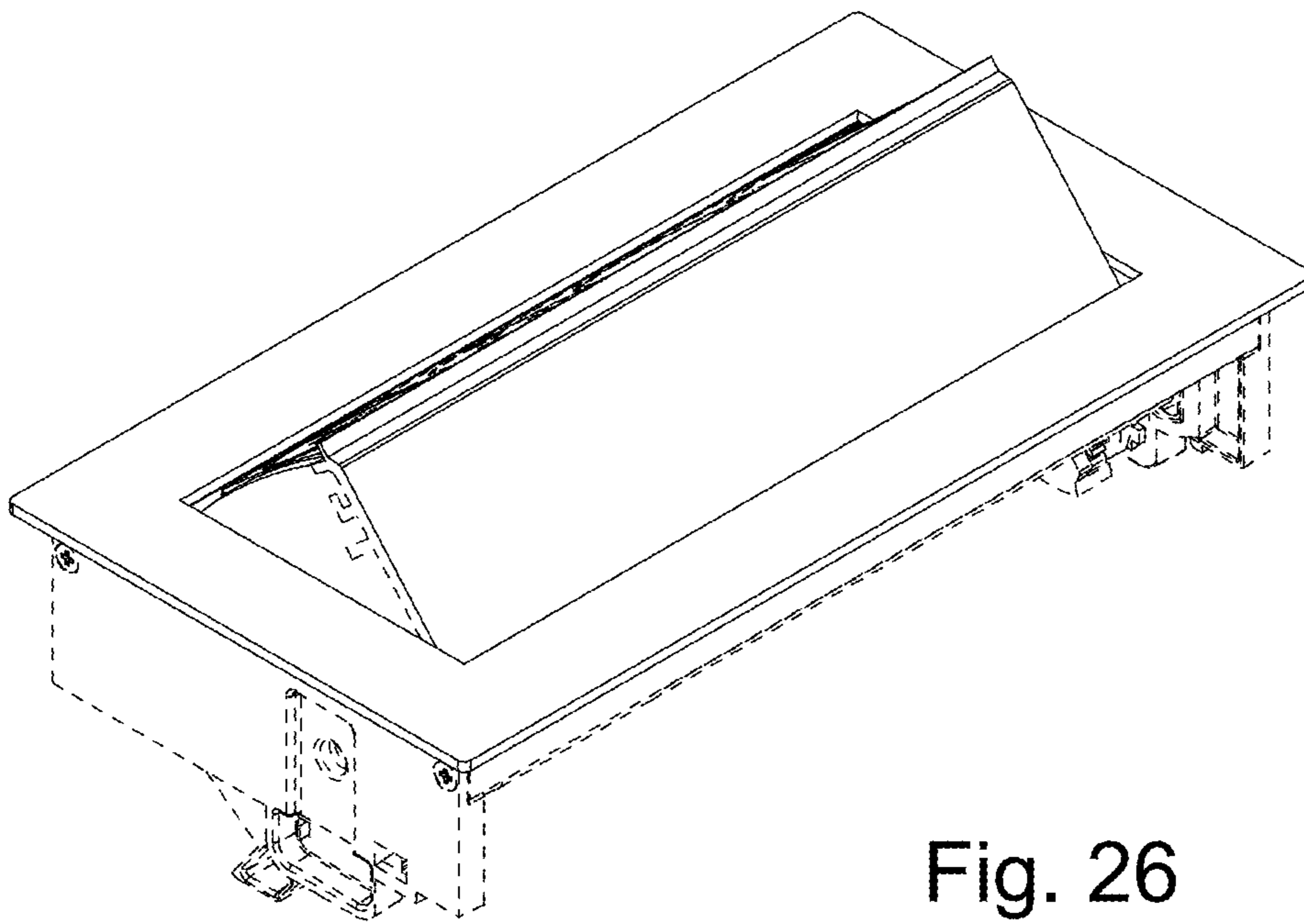


Fig. 26

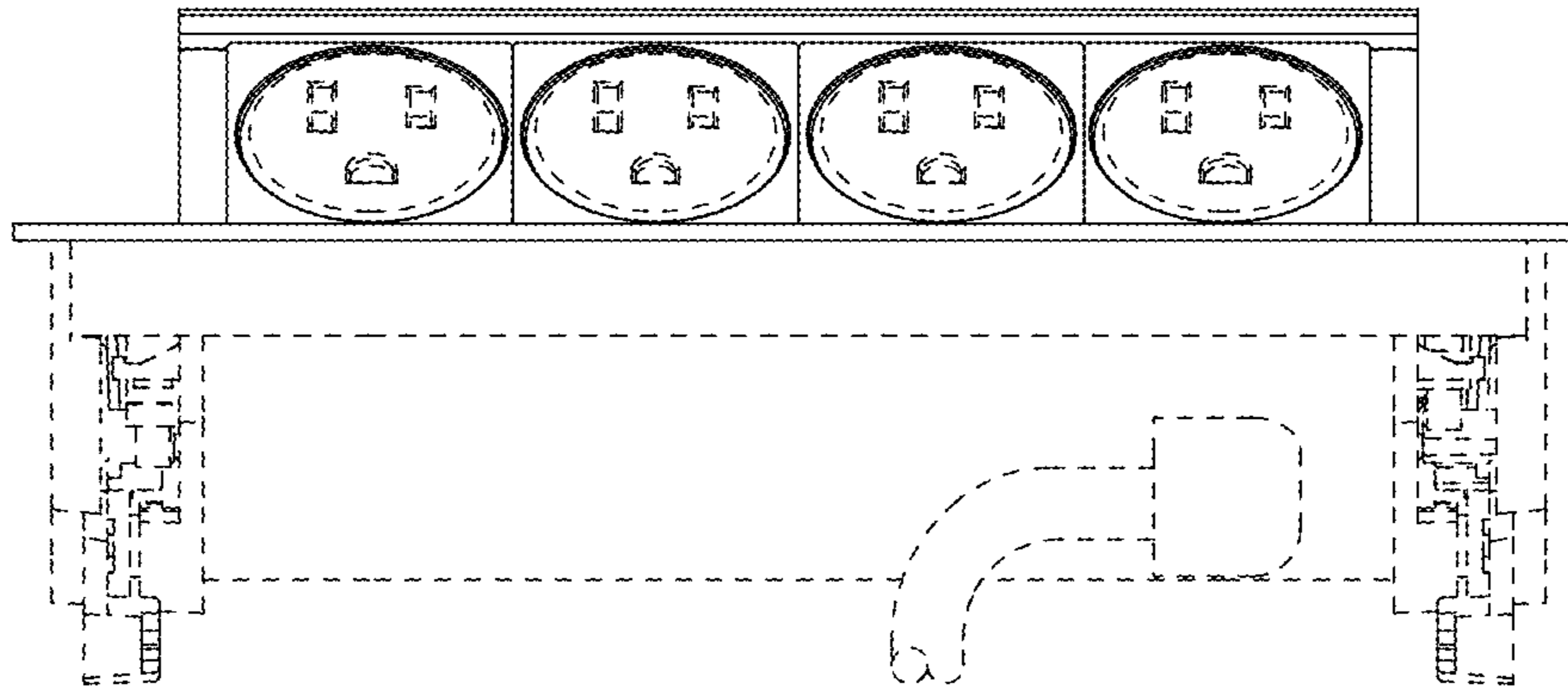


Fig. 27

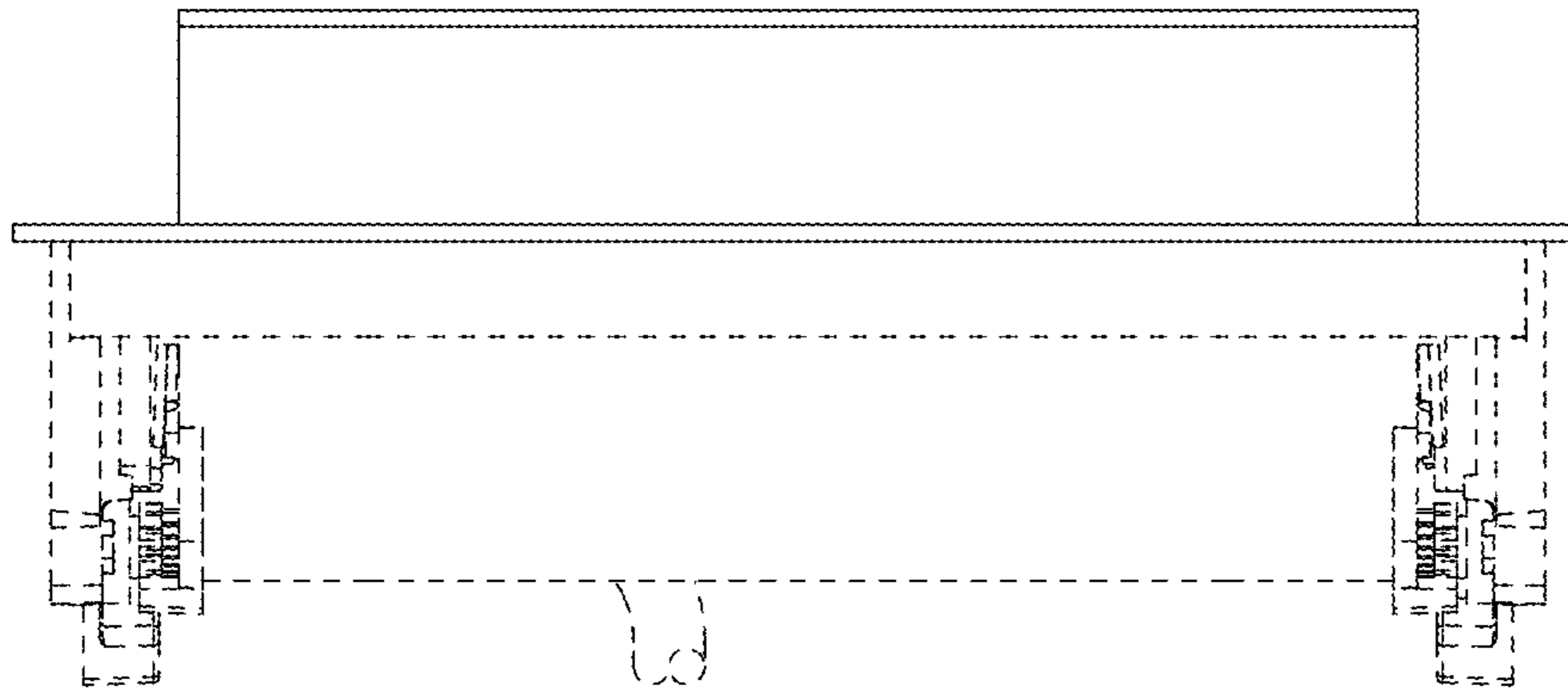


Fig. 28

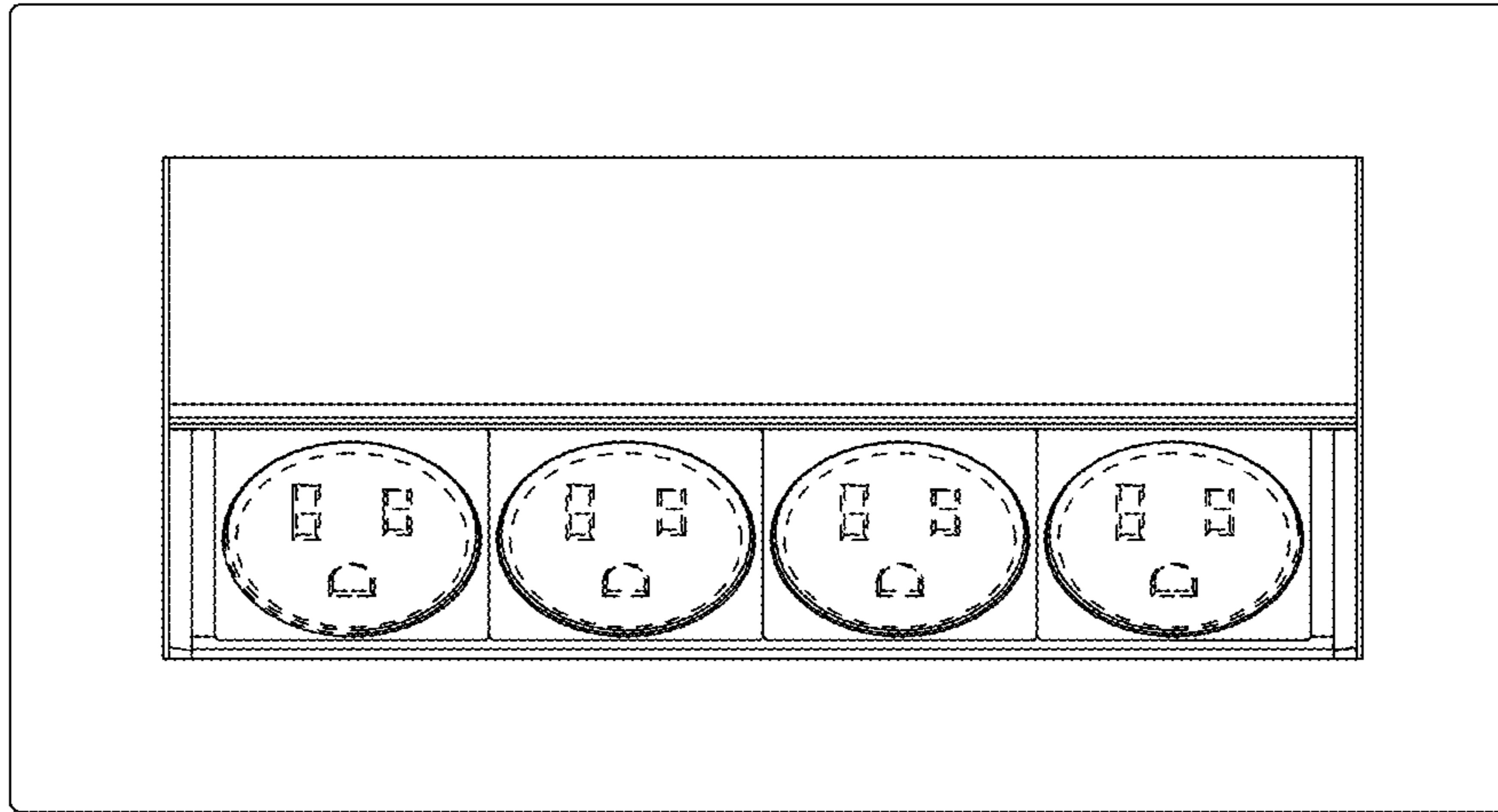


Fig. 29

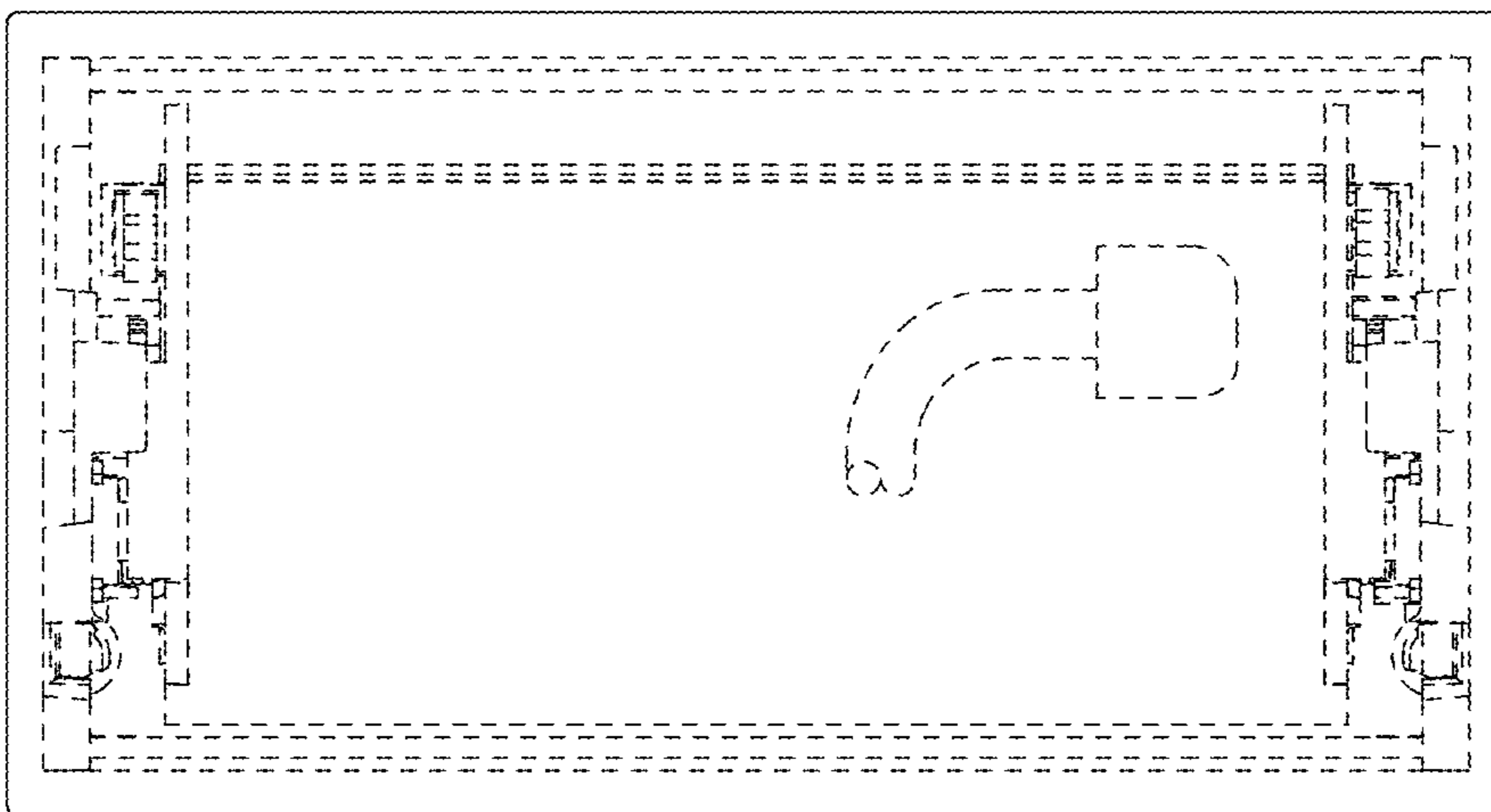


Fig. 30

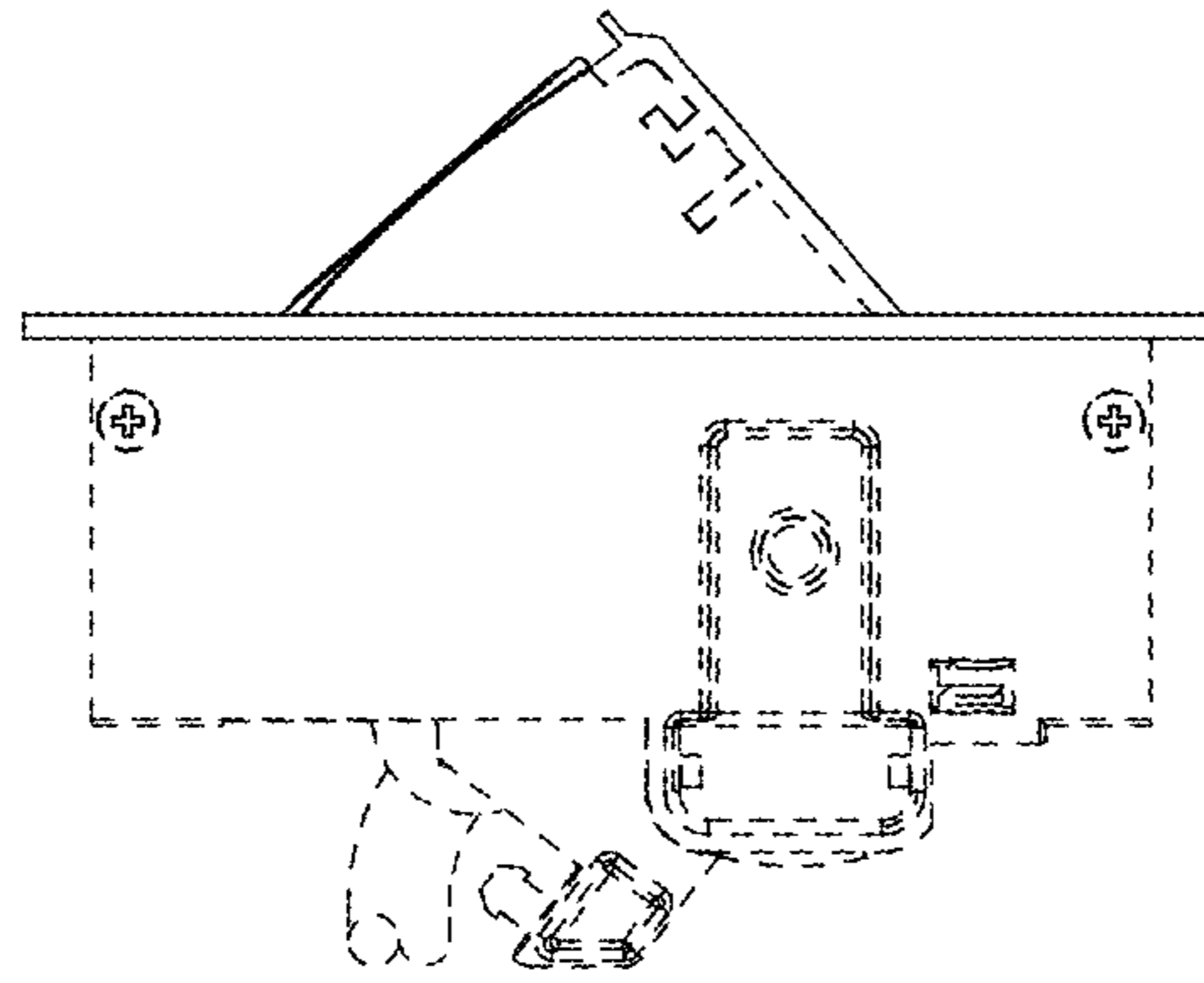


Fig. 31

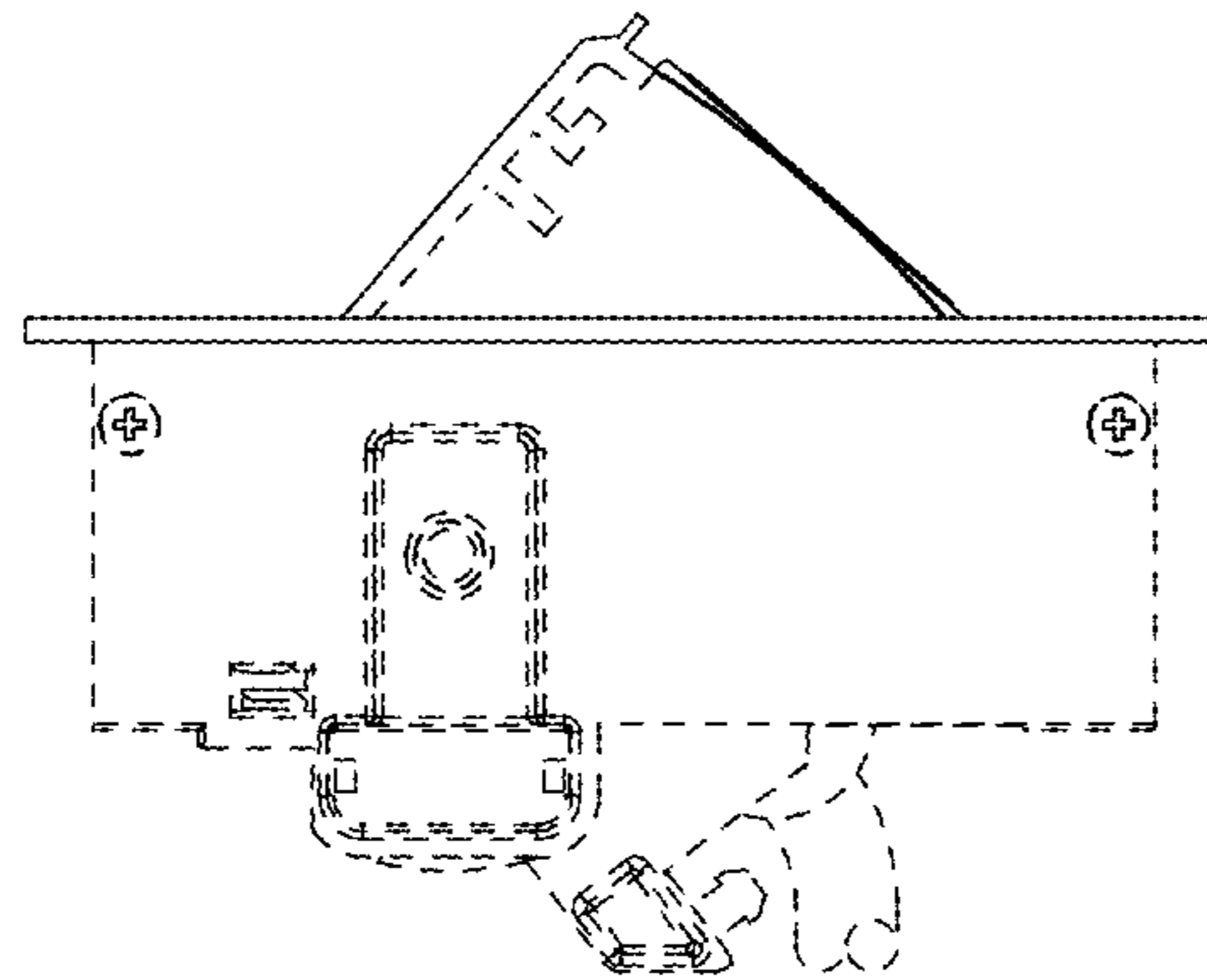


Fig. 32

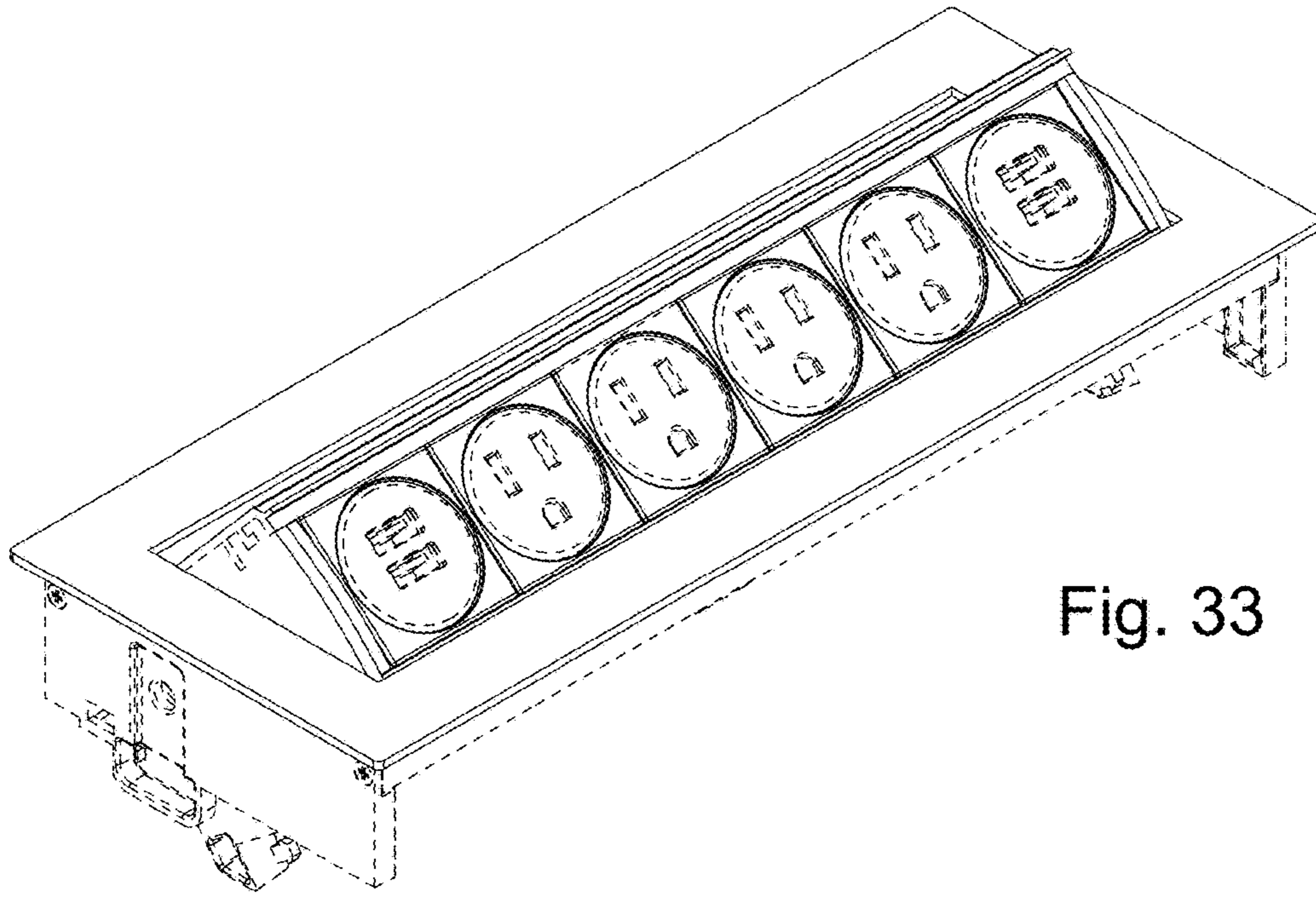


Fig. 33

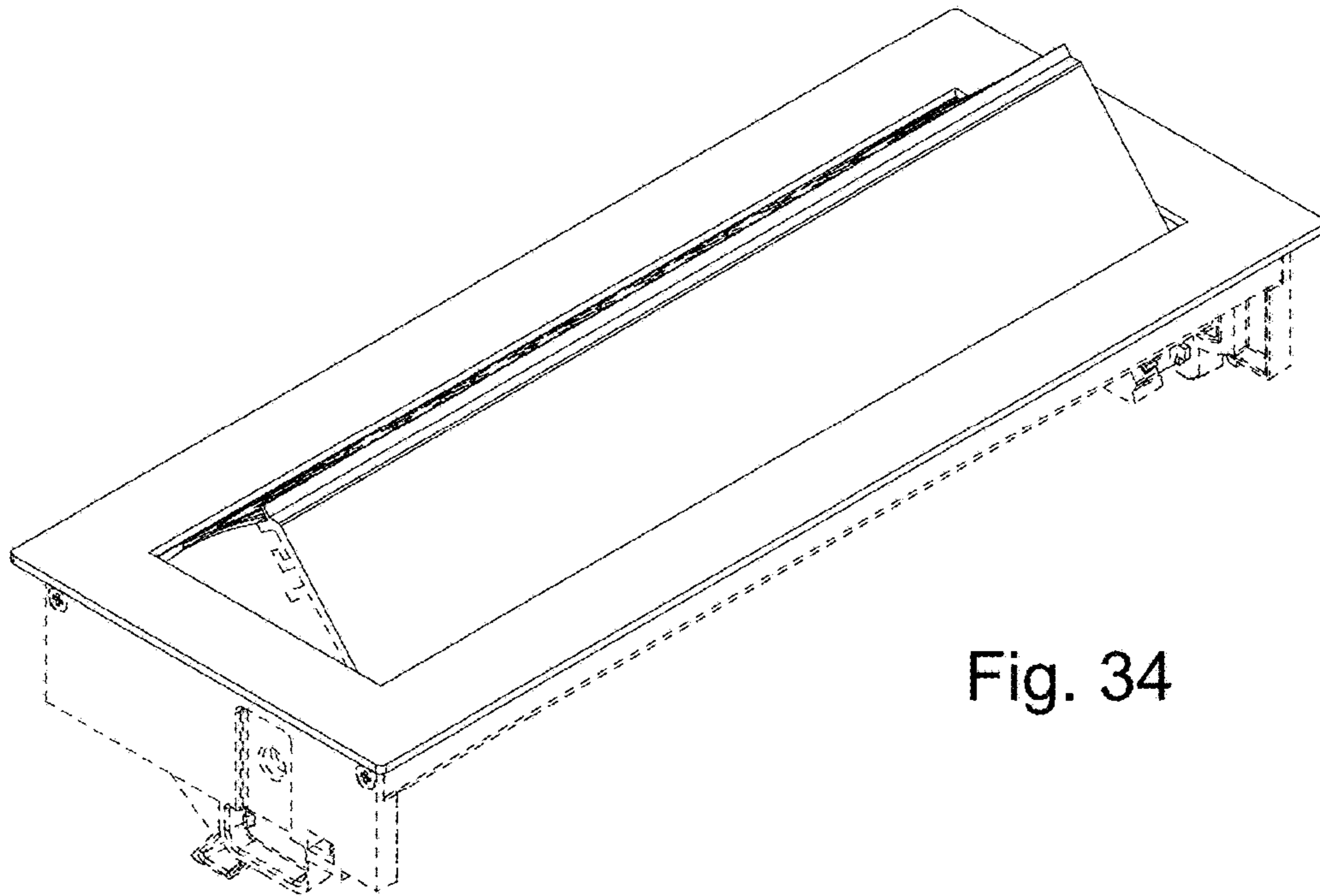


Fig. 34

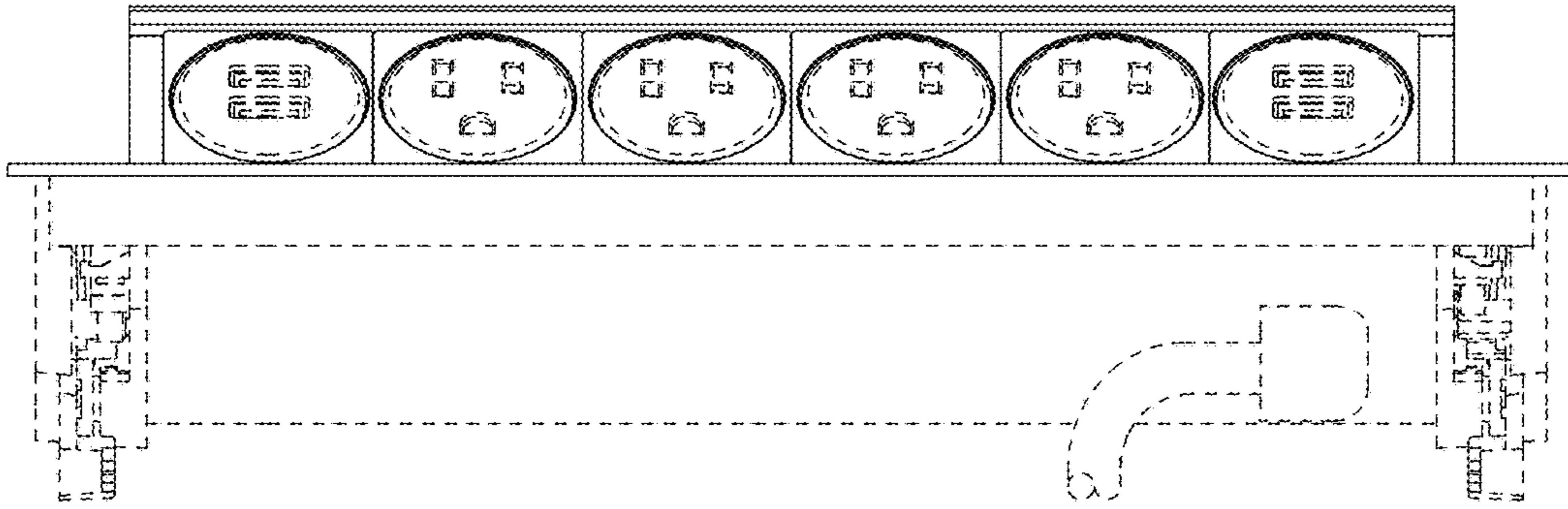


Fig. 35

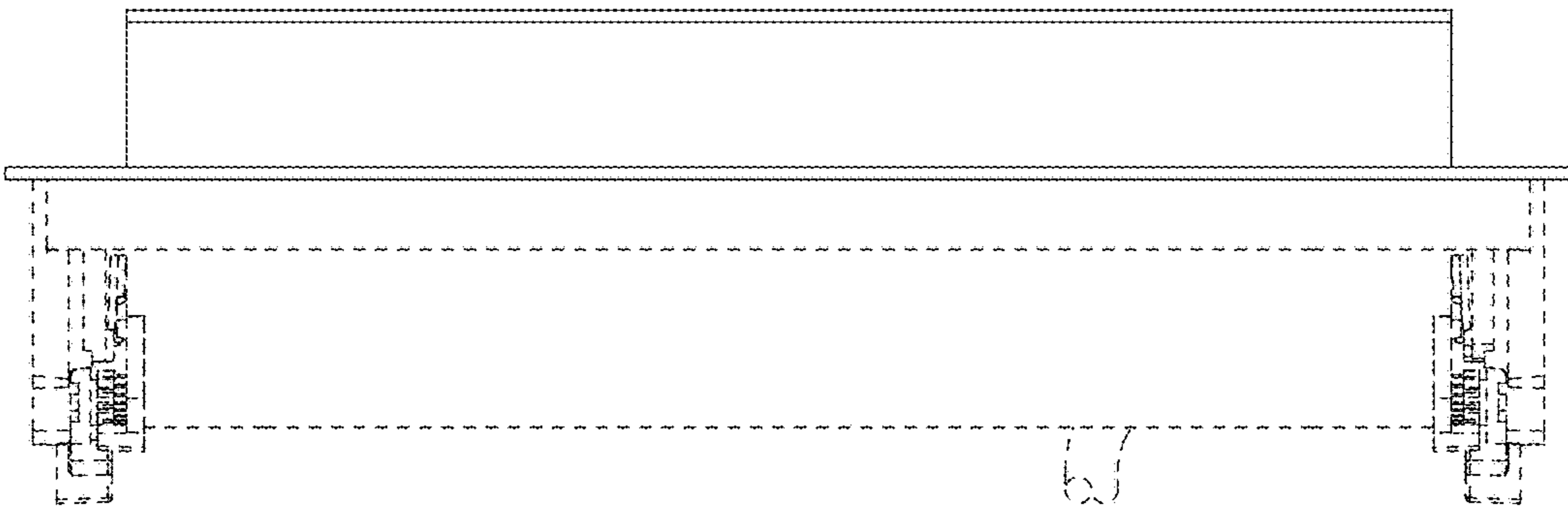


Fig. 36

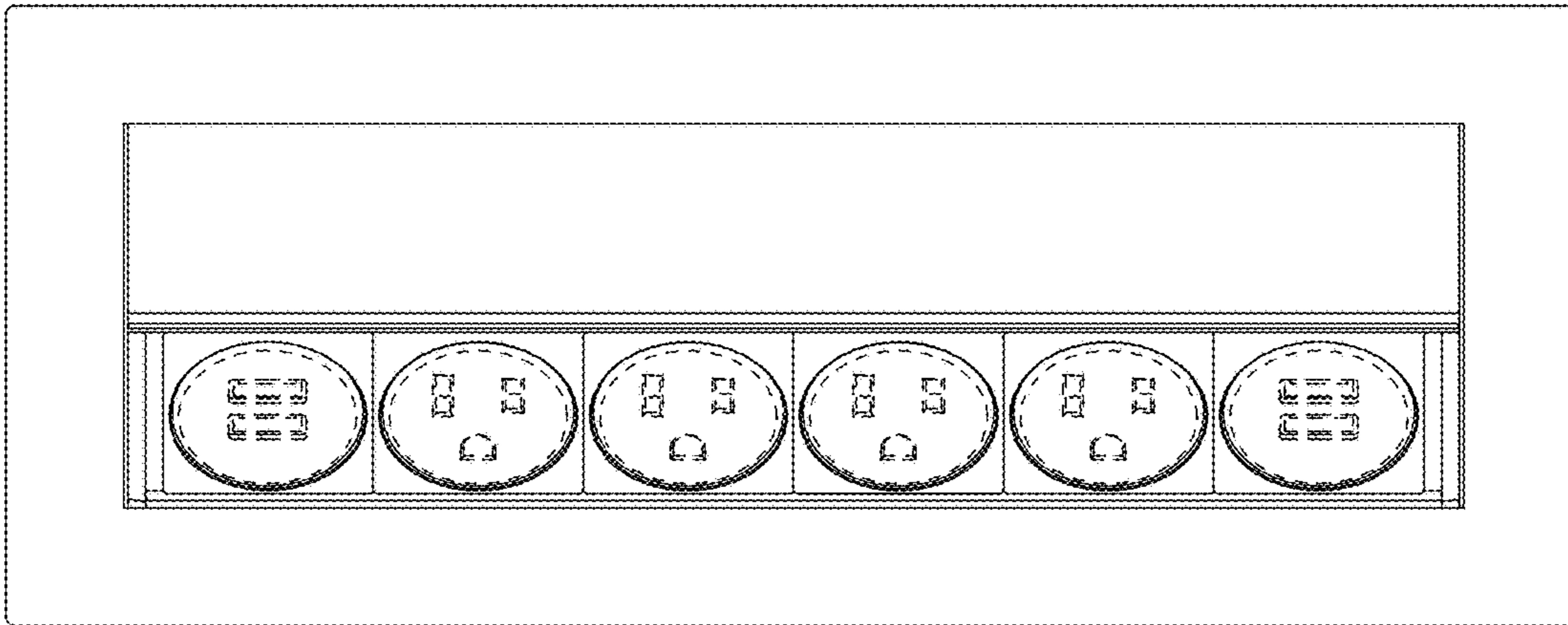


Fig. 37

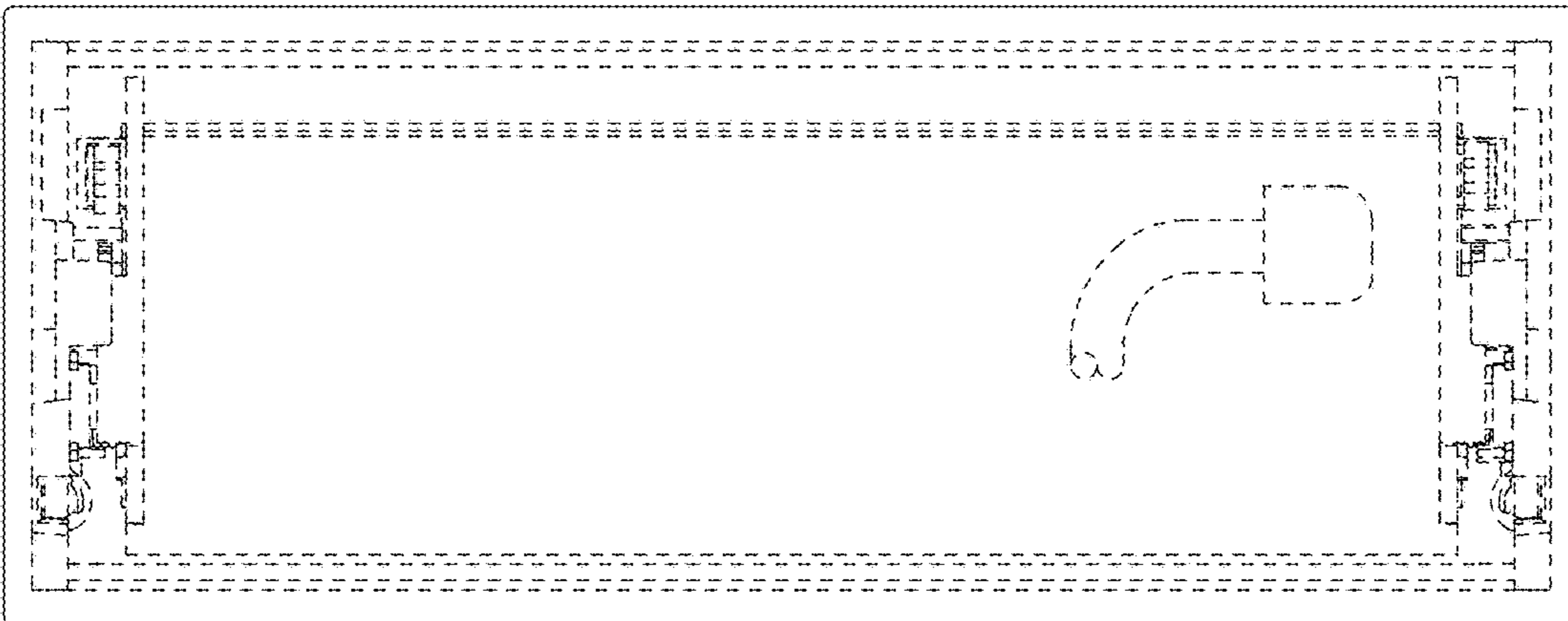


Fig. 38

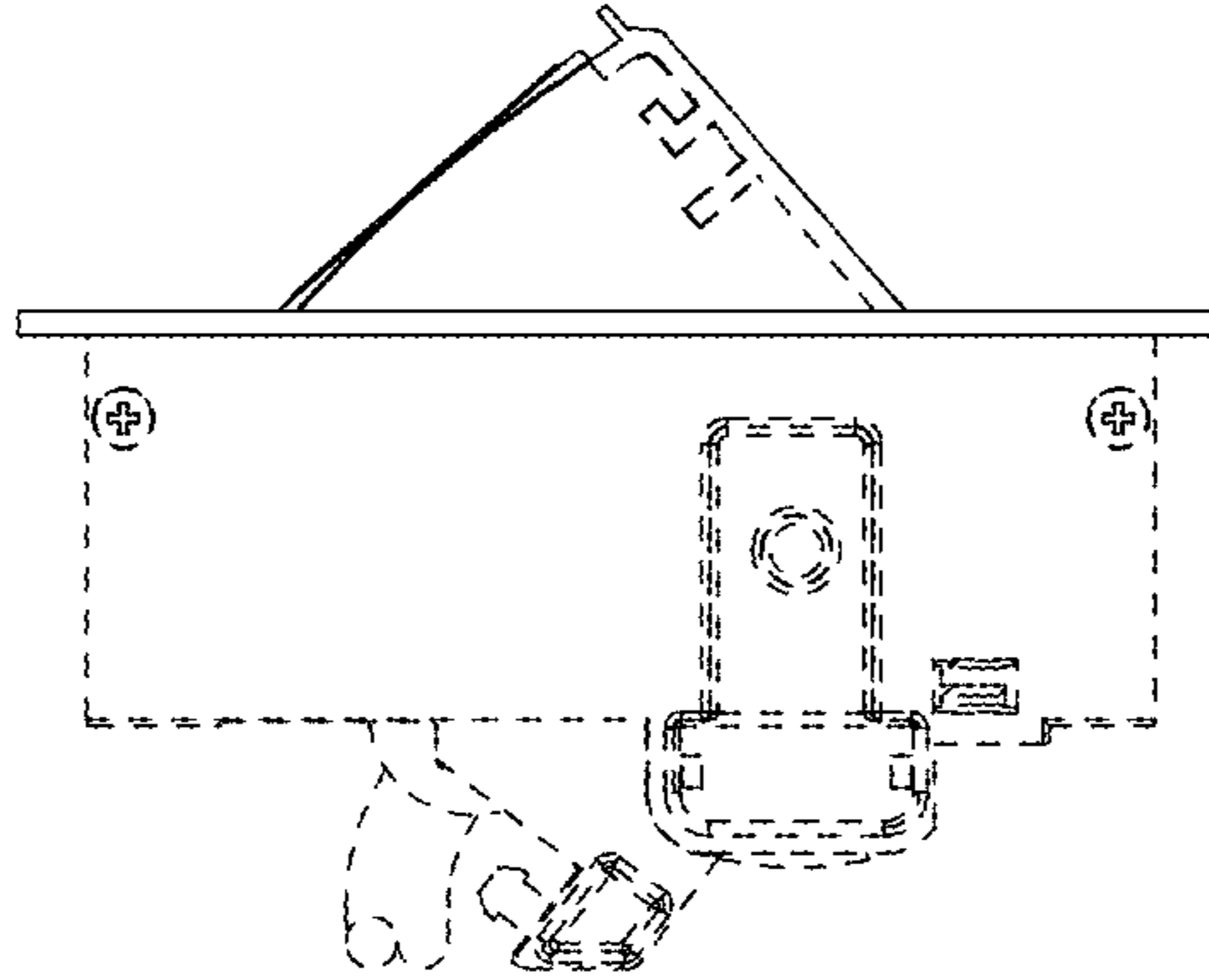


Fig. 39

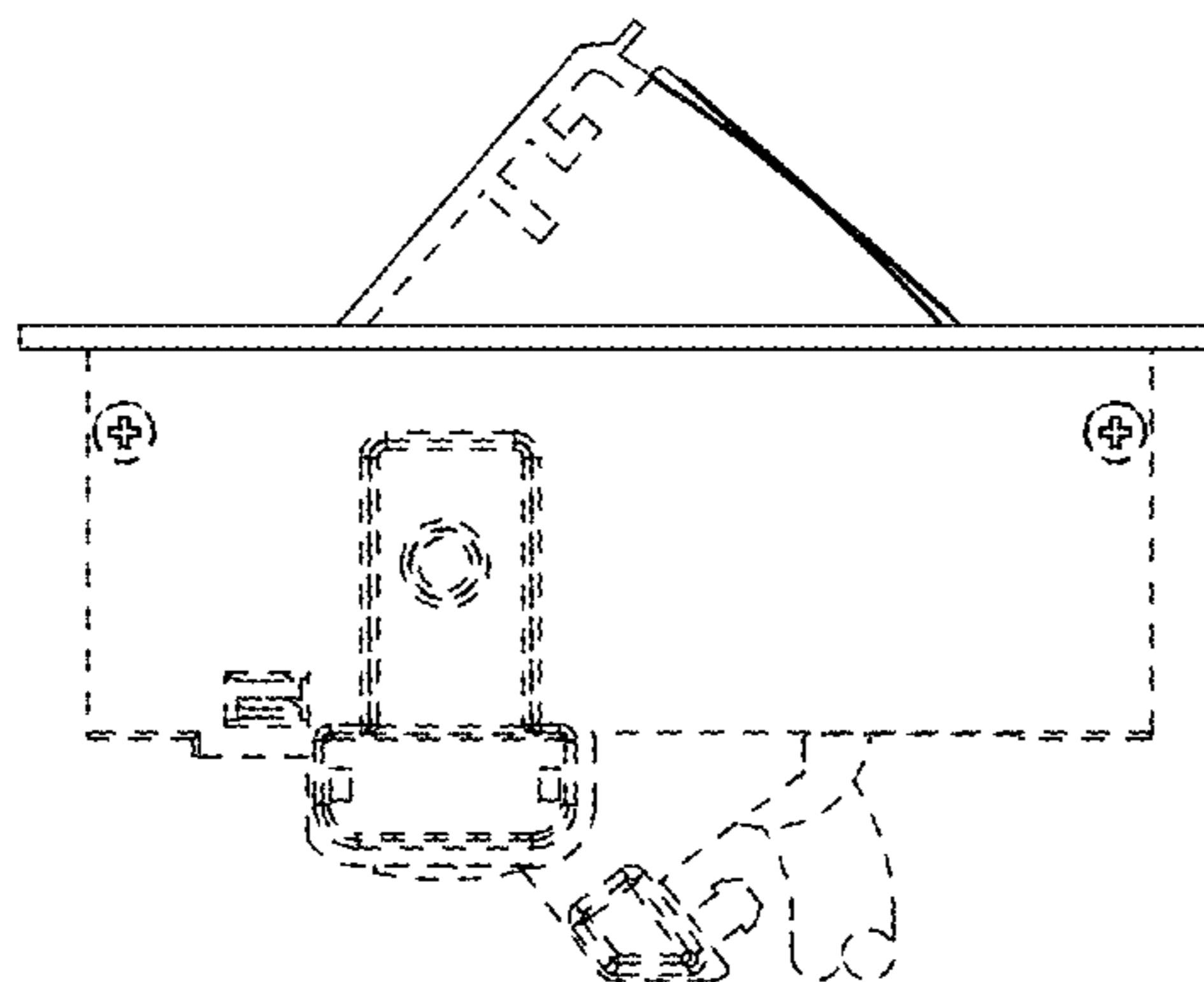


Fig. 40