



US00D811333S

(12) **United States Design Patent**
Robertson

(10) **Patent No.:** **US D811,333 S**
(45) **Date of Patent:** **** Feb. 27, 2018**

(54) **VARISTOR UNIT**

(71) Applicant: **M&I Materials Limited**, Manchester (GB)
(72) Inventor: **Jeff Robertson**, Manchester (GB)
(73) Assignee: **M & I Materials Limited**, Manchester (GB)
(**) Term: **15 Years**

(21) Appl. No.: **29/570,745**

(22) Filed: **Jul. 12, 2016**

(30) **Foreign Application Priority Data**

Jan. 12, 2016 (EM) 002942169-0001
Jan. 12, 2016 (EM) 002942169-0002
Jan. 12, 2016 (EM) 002942169-0003

(51) **LOC (11) Cl.** **13-03**

(52) **U.S. Cl.**
USPC **D13/125**

(58) **Field of Classification Search**
USPC D13/123, 124, 125, 184
CPC ... H01C 7/02; H01C 7/10; H01C 7/12; H01C 7/126; H01C 10/14; H01C 10/32; H01T 4/04; H01T 4/06
See application file for complete search history.

(56) **References Cited**

U.S. PATENT DOCUMENTS

3,599,140 A * 8/1971 Ichikawa H01C 10/14
338/128
D228,070 S * 8/1973 Oka et al. D13/125
D321,170 S * 10/1991 Ramos D13/160
D380,445 S * 7/1997 Doerr D13/125
2008/0310060 A1 * 12/2008 Metral H01T 4/06
361/56
2010/0118463 A1 * 5/2010 Smith H01C 7/126
361/117
2012/0144634 A1 * 6/2012 Barton H01B 1/08
29/25.01

(Continued)

OTHER PUBLICATIONS

European Design Application No. 002706051 filed May 22, 2015 (10 pages).

(Continued)

Primary Examiner — Selina Sikder

(74) *Attorney, Agent, or Firm* — John A. Yirga, Esq.; Tarolli, Sundheim, Covell & Tummino LLP

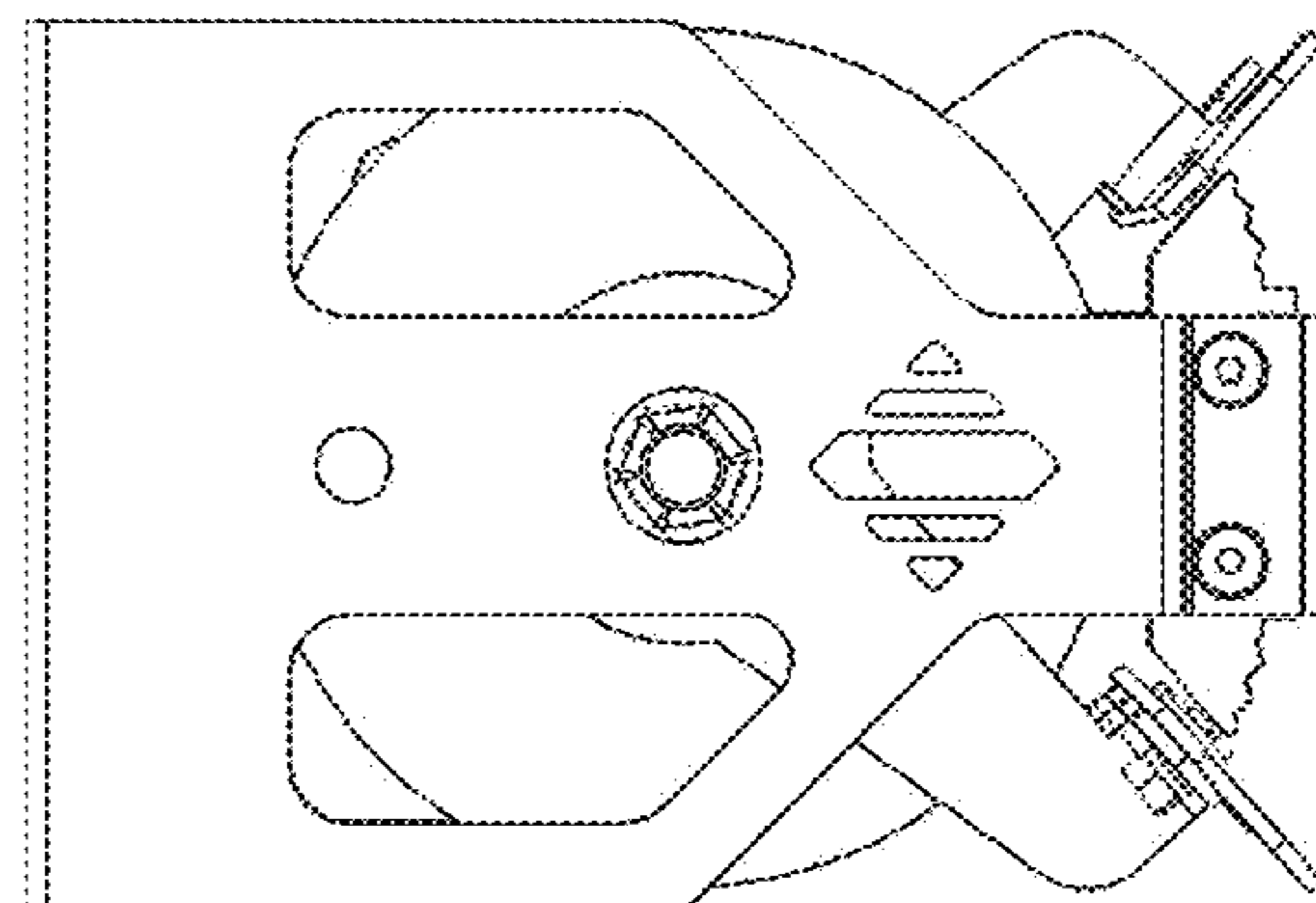
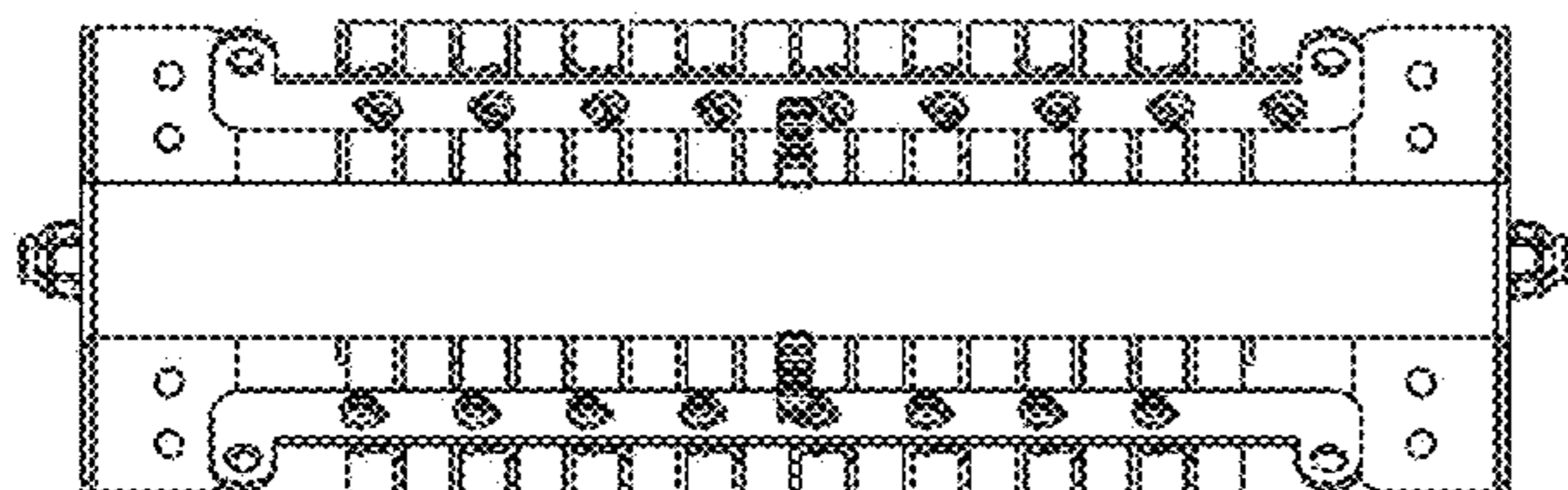
(57) **CLAIM**

The ornamental design for varistor unit, as shown and described.

DESCRIPTION

FIG. 1 is a front elevation view of a varistor unit in accordance with the present disclosure; FIG. 2 is a rear elevation view thereof; FIG. 3 is a right side elevation view thereof; FIG. 4 is a left side elevation view thereof; FIG. 5 is a top plan view thereof, the bottom view being a mirror image; FIG. 6 is a front elevation view of the varistor unit illustrated in a second embodiment; FIG. 7 is a rear elevation view thereof; FIG. 8 is a right side elevation view thereof; FIG. 9 is a left side elevation view thereof; FIG. 10 is a top plan view thereof, the bottom view being a mirror image; FIG. 11 is a front elevation view of the varistor unit illustrated in a third embodiment; FIG. 12 is a rear elevation view thereof; FIG. 13 is a right side elevation view thereof; FIG. 14 is a left side elevation view thereof; and, FIG. 15 is a top plan view thereof, the bottom view being a mirror image.

1 Claim, 15 Drawing Sheets



(56)

References Cited

U.S. PATENT DOCUMENTS

2014/0334054 A1* 11/2014 Fuchs H02H 9/06
361/112
2016/0036202 A1* 2/2016 Gautier H01T 4/06
361/117
2016/0144536 A1* 5/2016 Kruska H01C 7/12
264/255
2016/0240289 A1* 8/2016 Flohe H01C 7/12

OTHER PUBLICATIONS

European Design Application entitled Equipment for Distribution or Control of Electric Power filed Mar. 31, 2014 (9 pages).

* cited by examiner

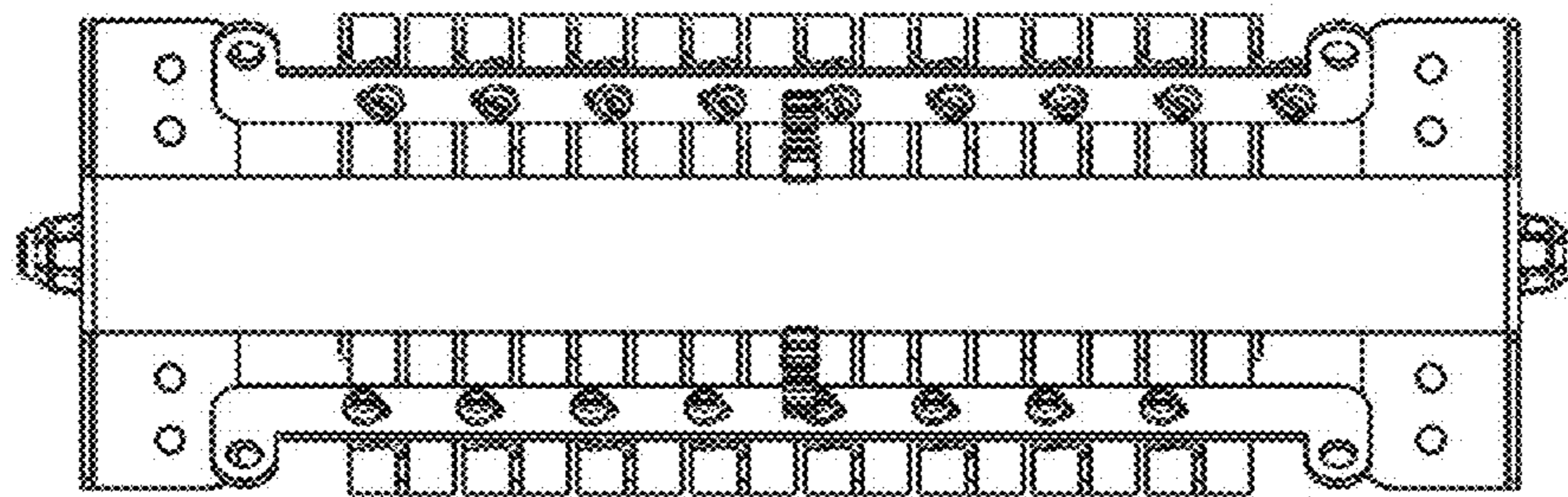


FIG. 1

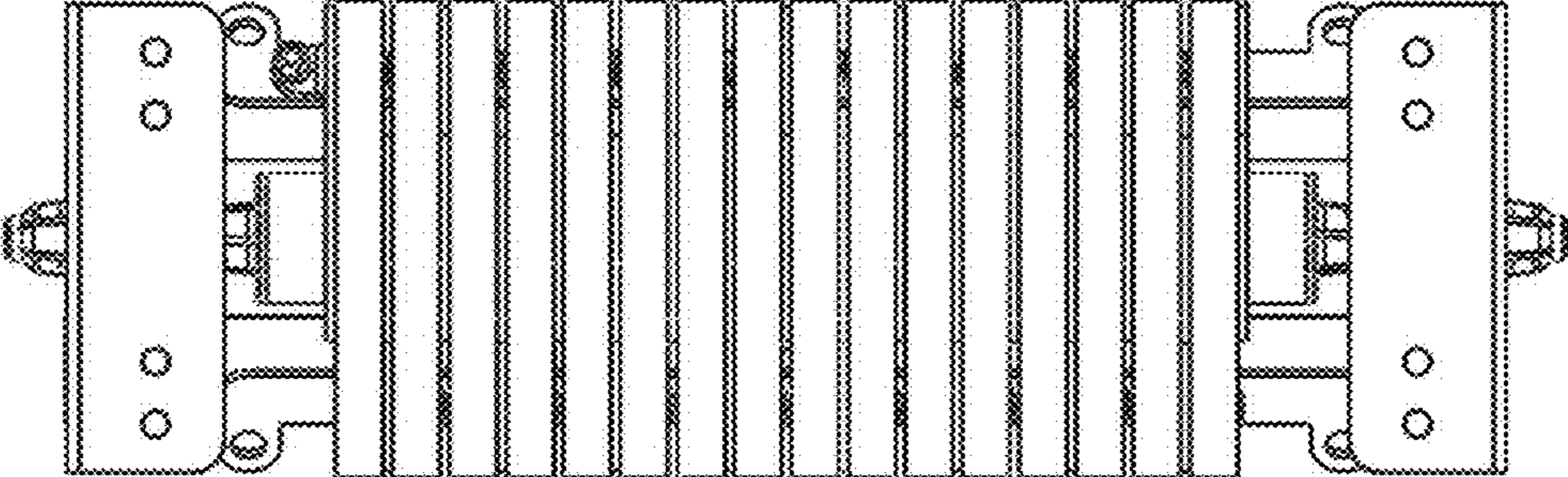


FIG. 2

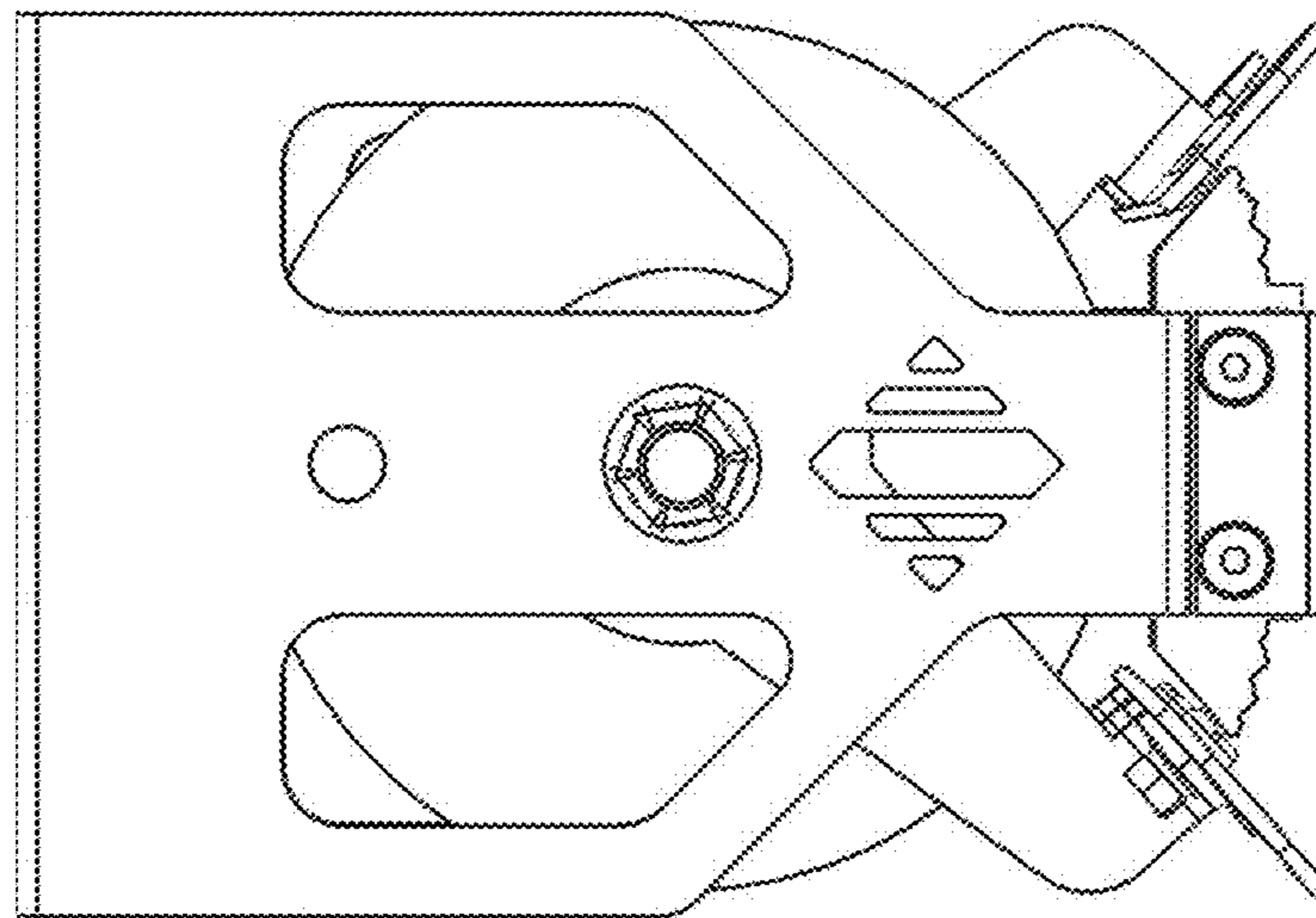


FIG. 3

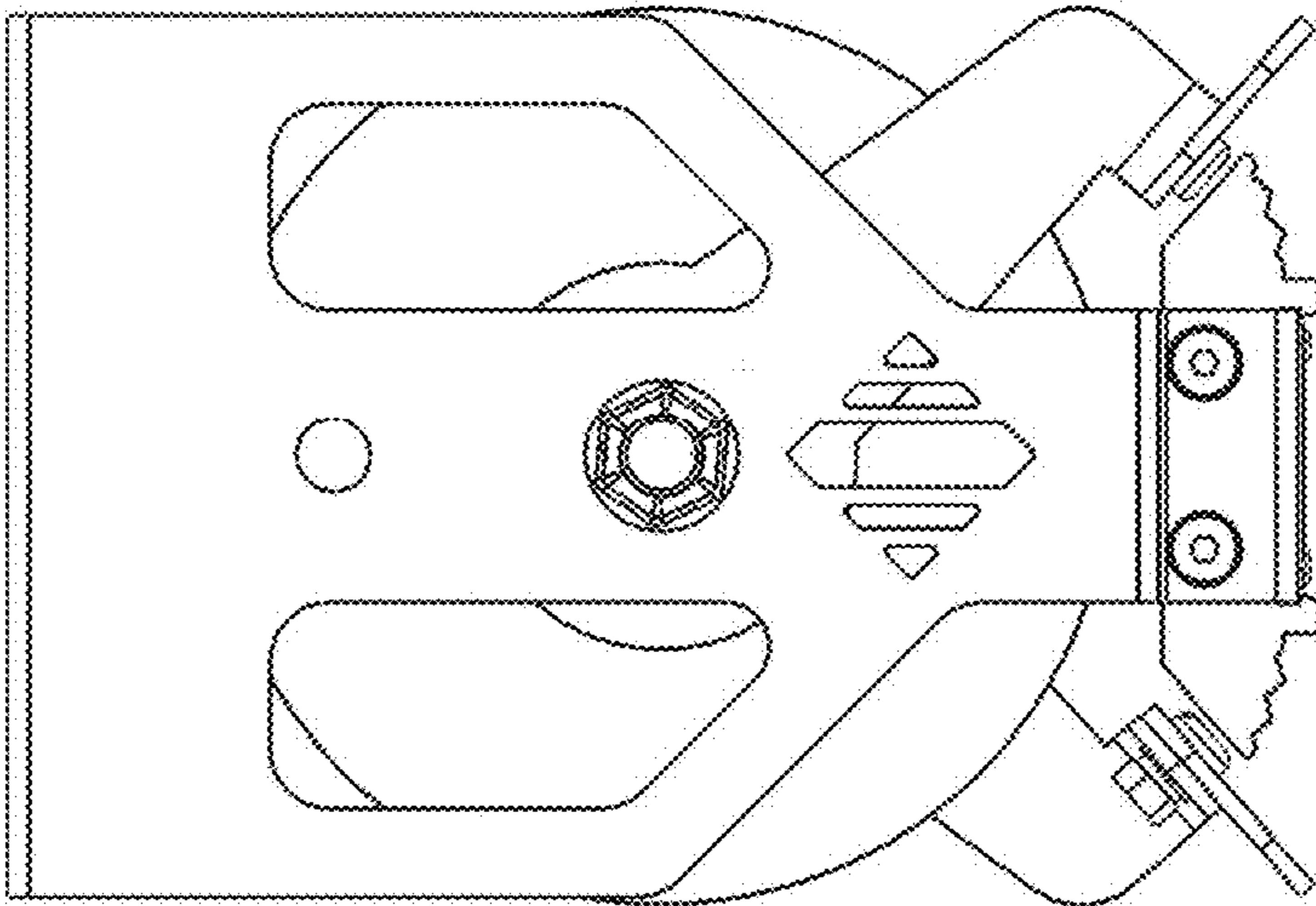


FIG. 4

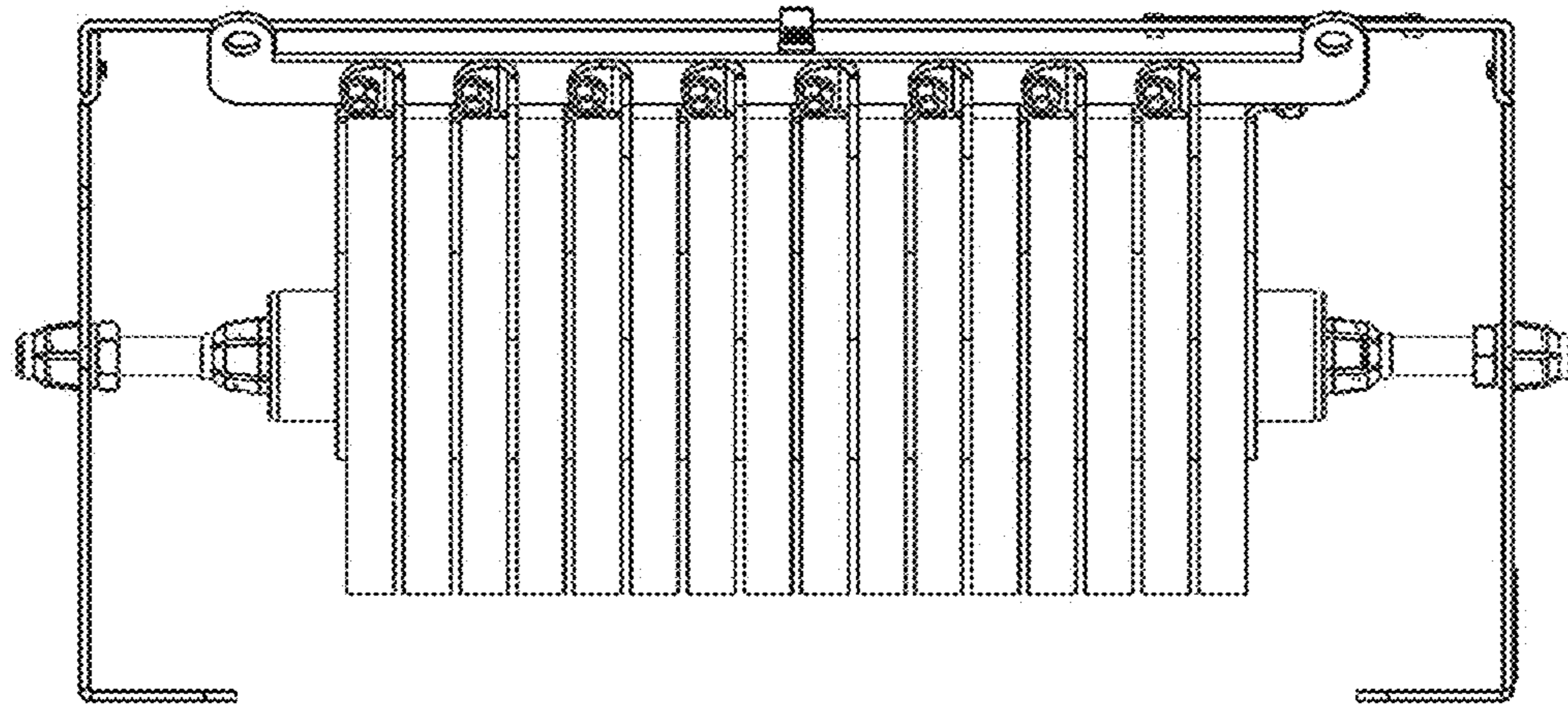


FIG. 5

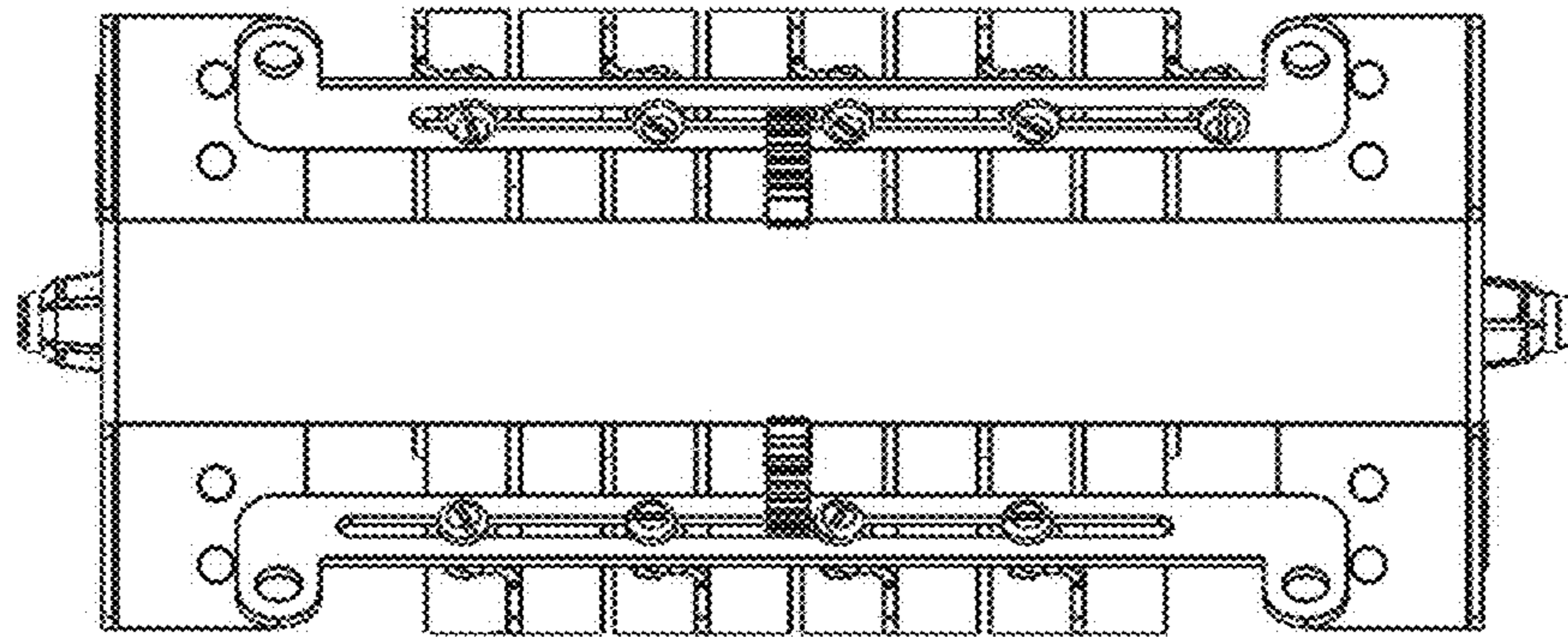


FIG. 6

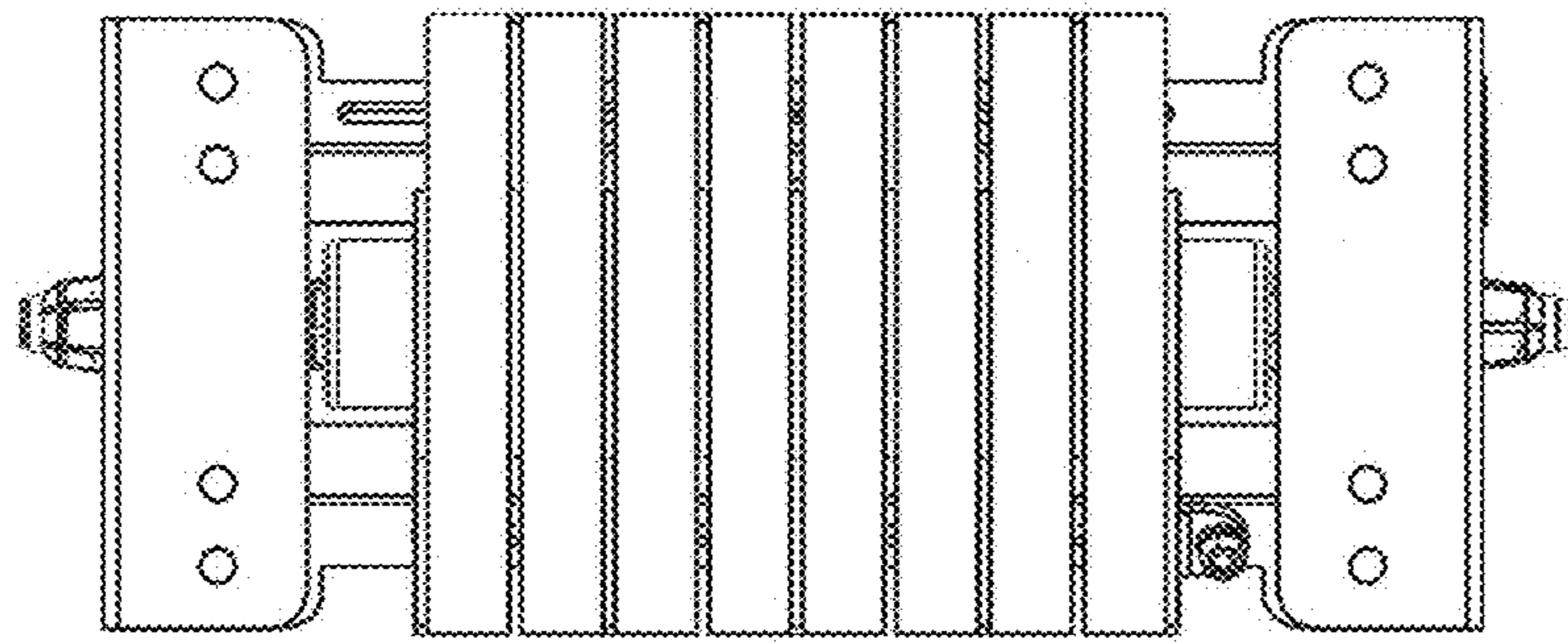


FIG. 7

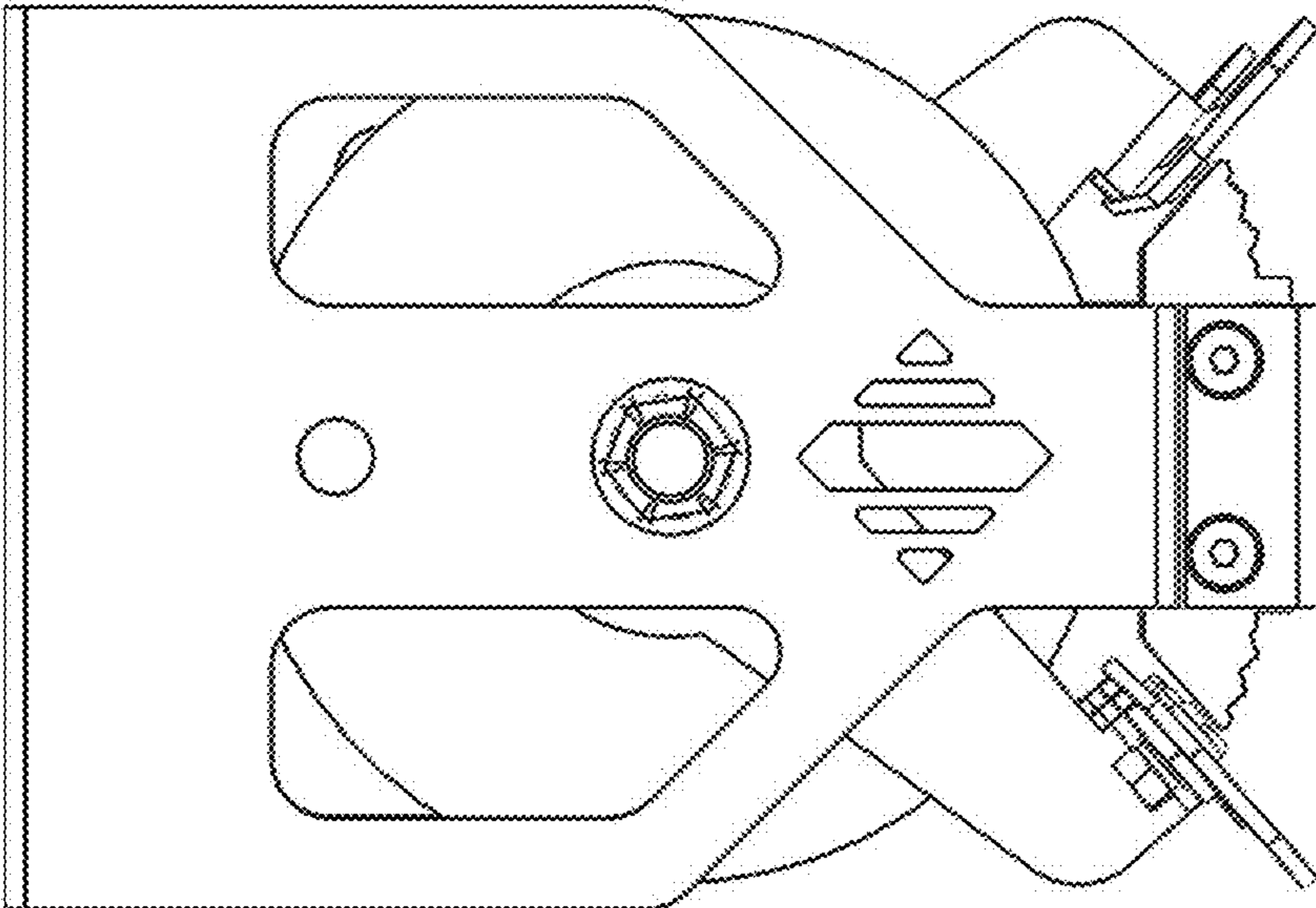


FIG. 8

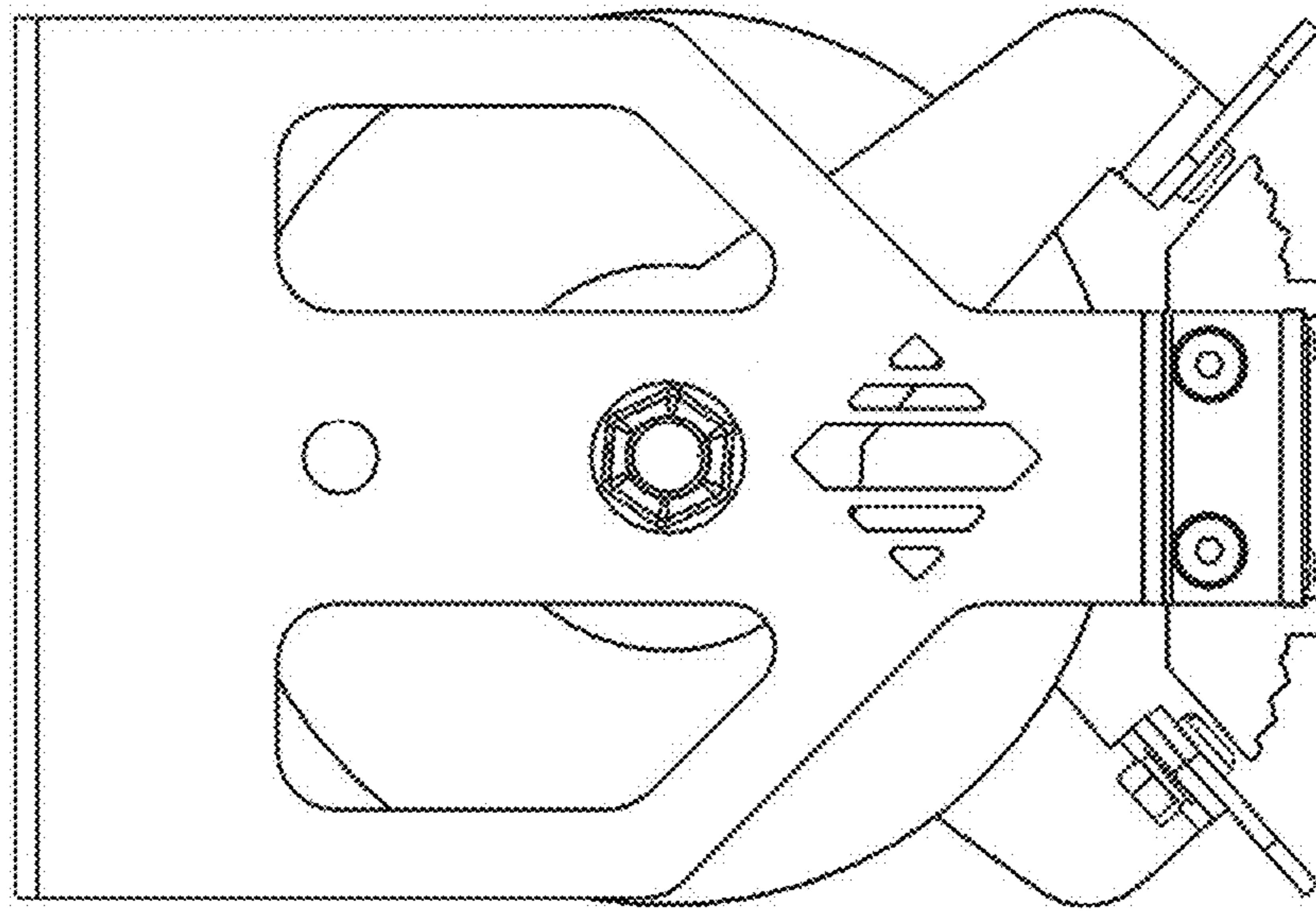


FIG. 9

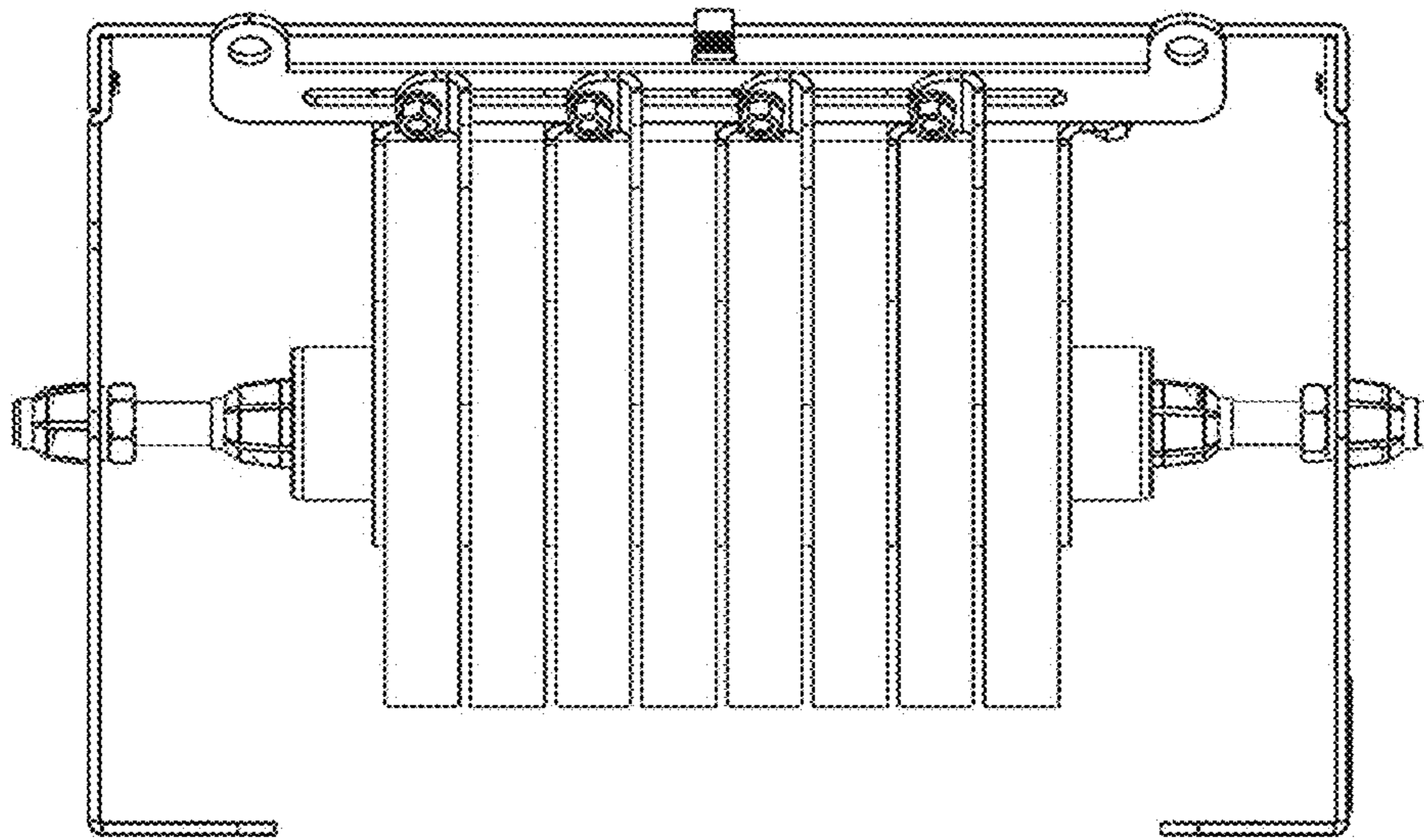


FIG. 10

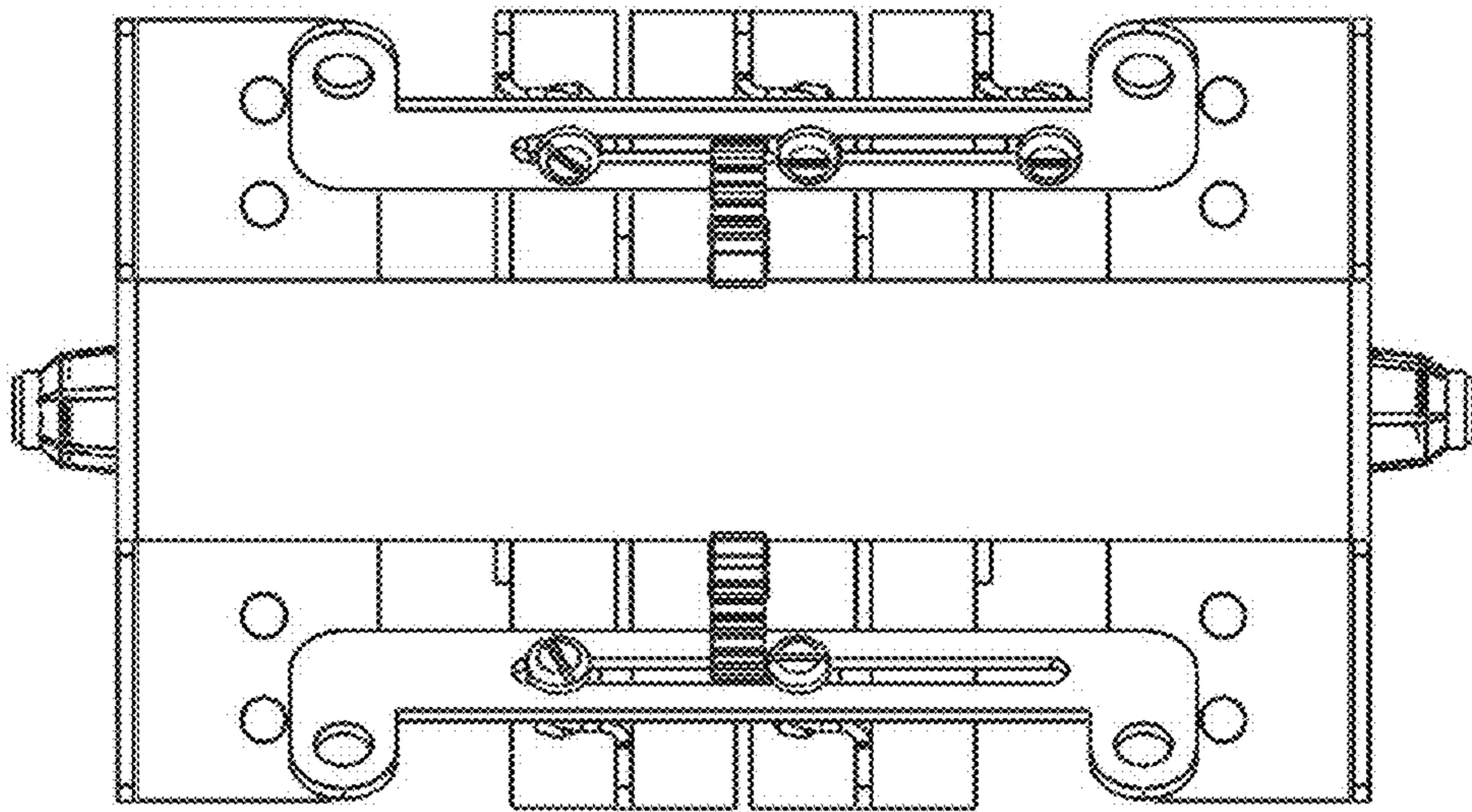


FIG. 11

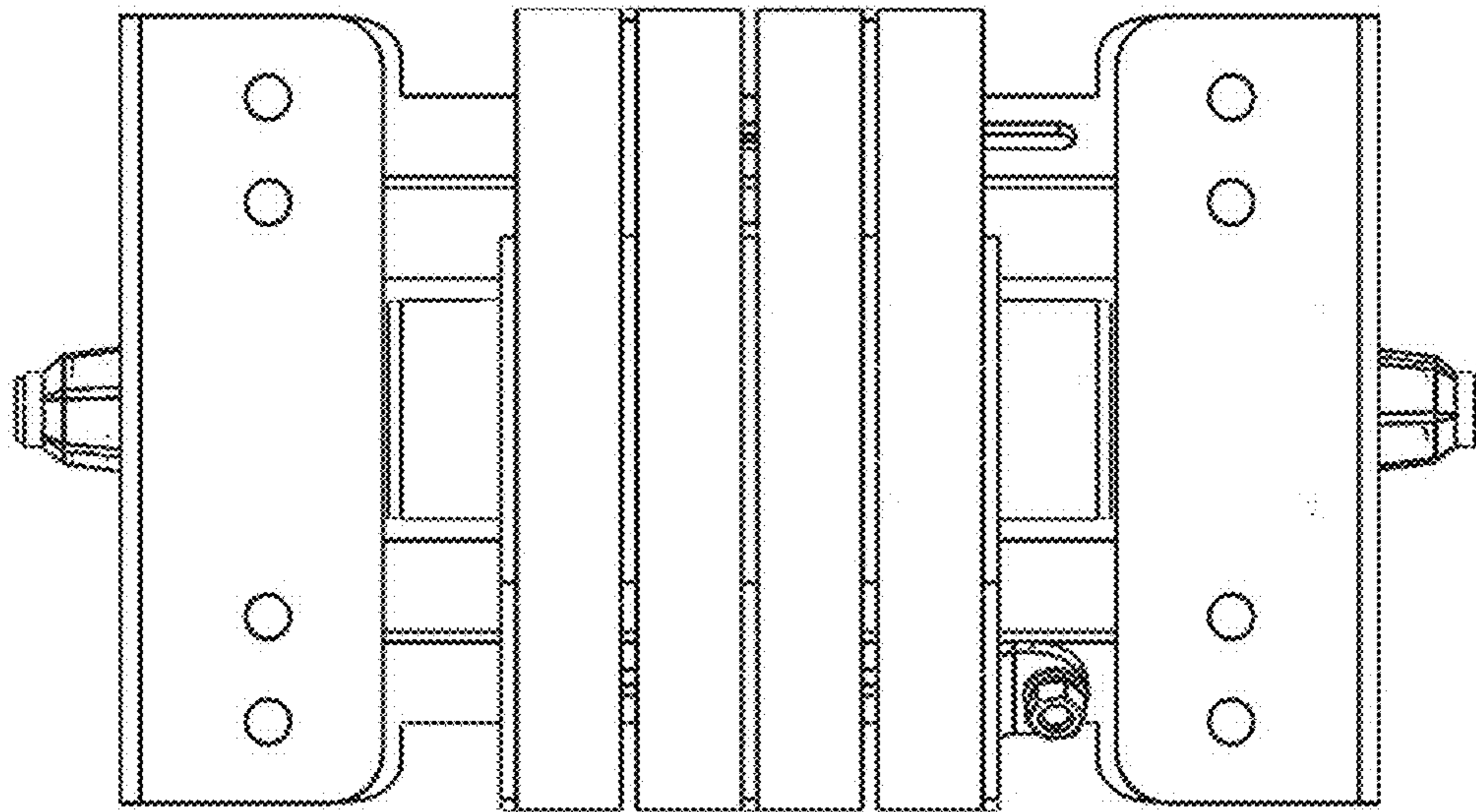


FIG. 12

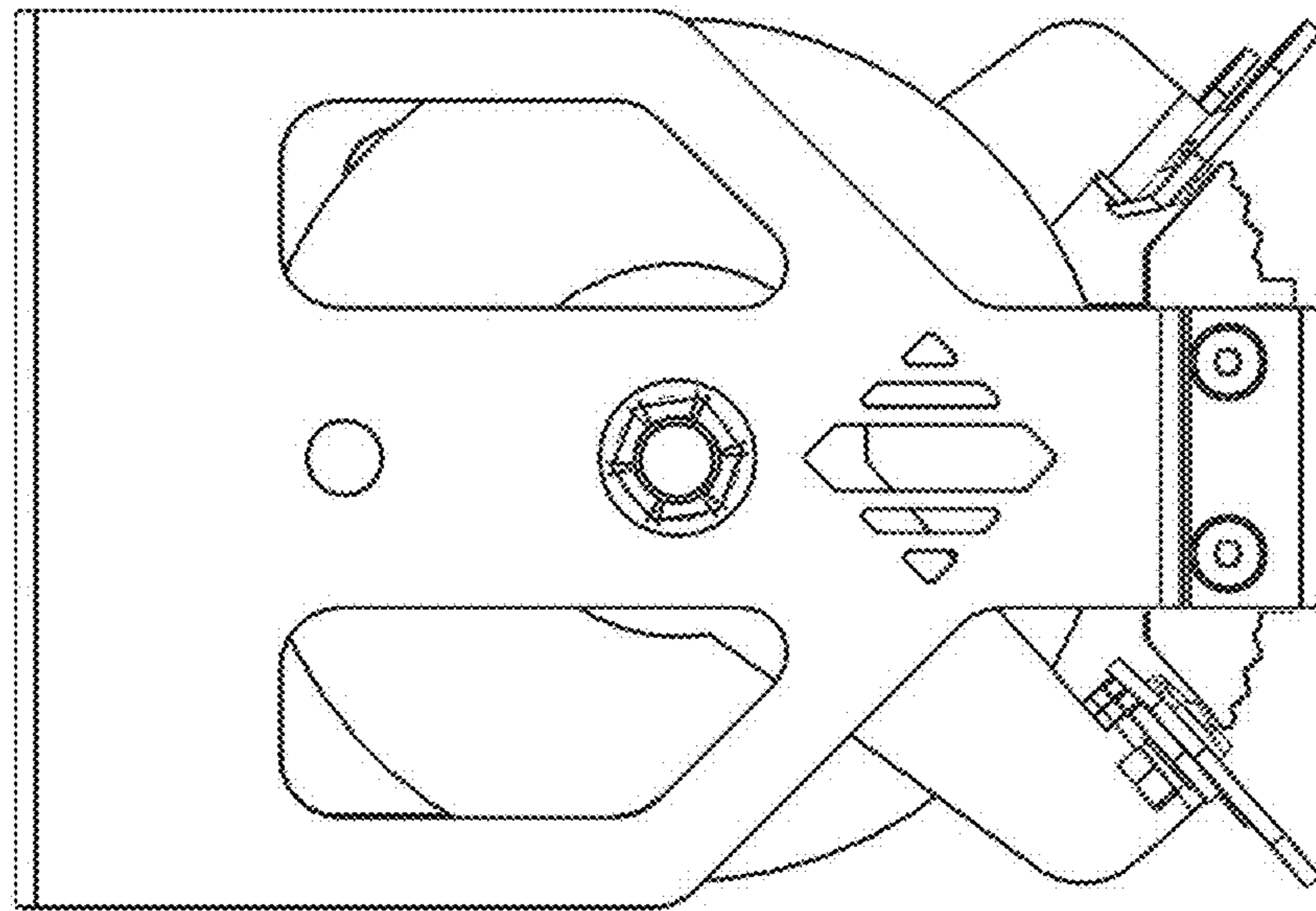


FIG. 13

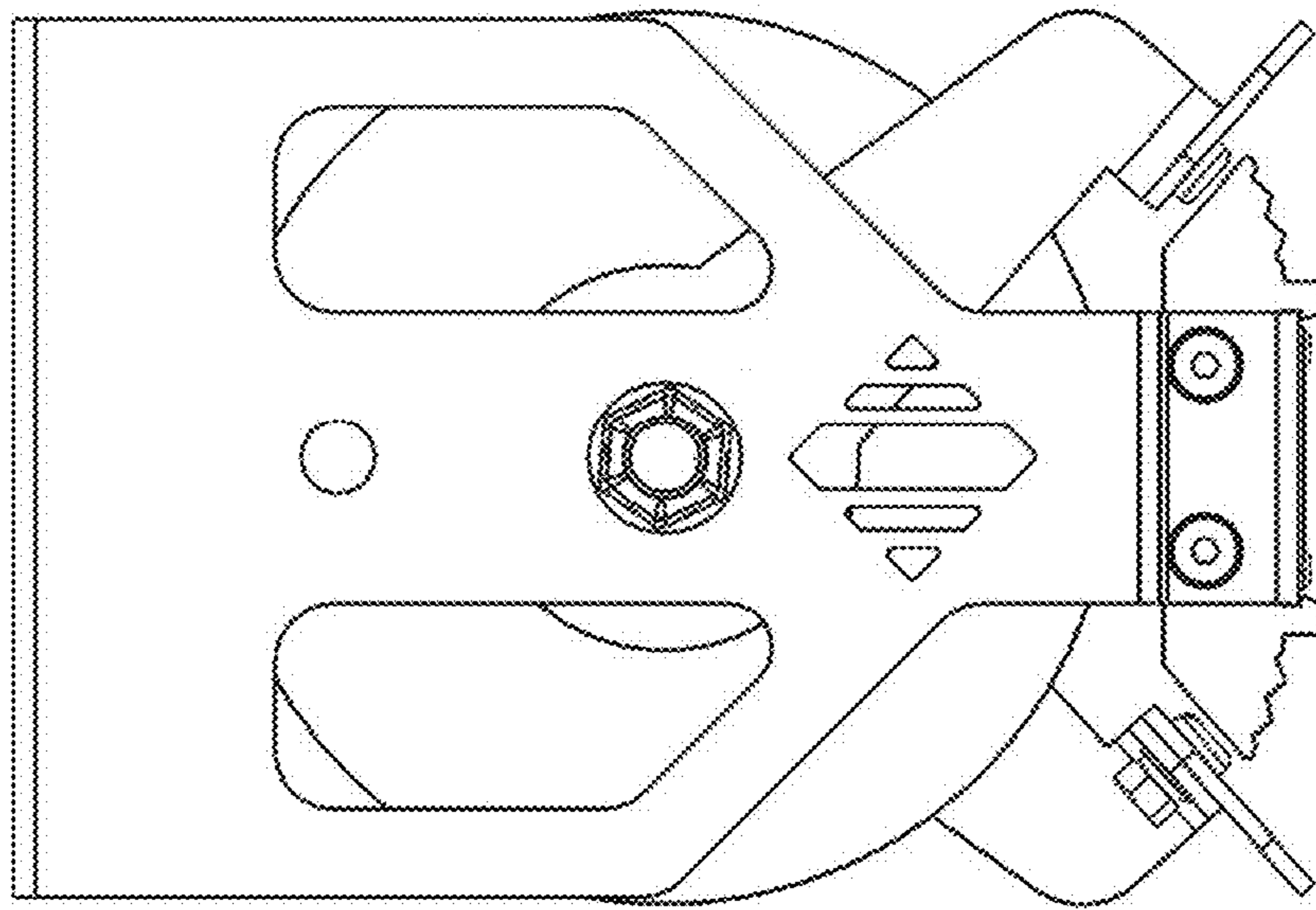


FIG. 14

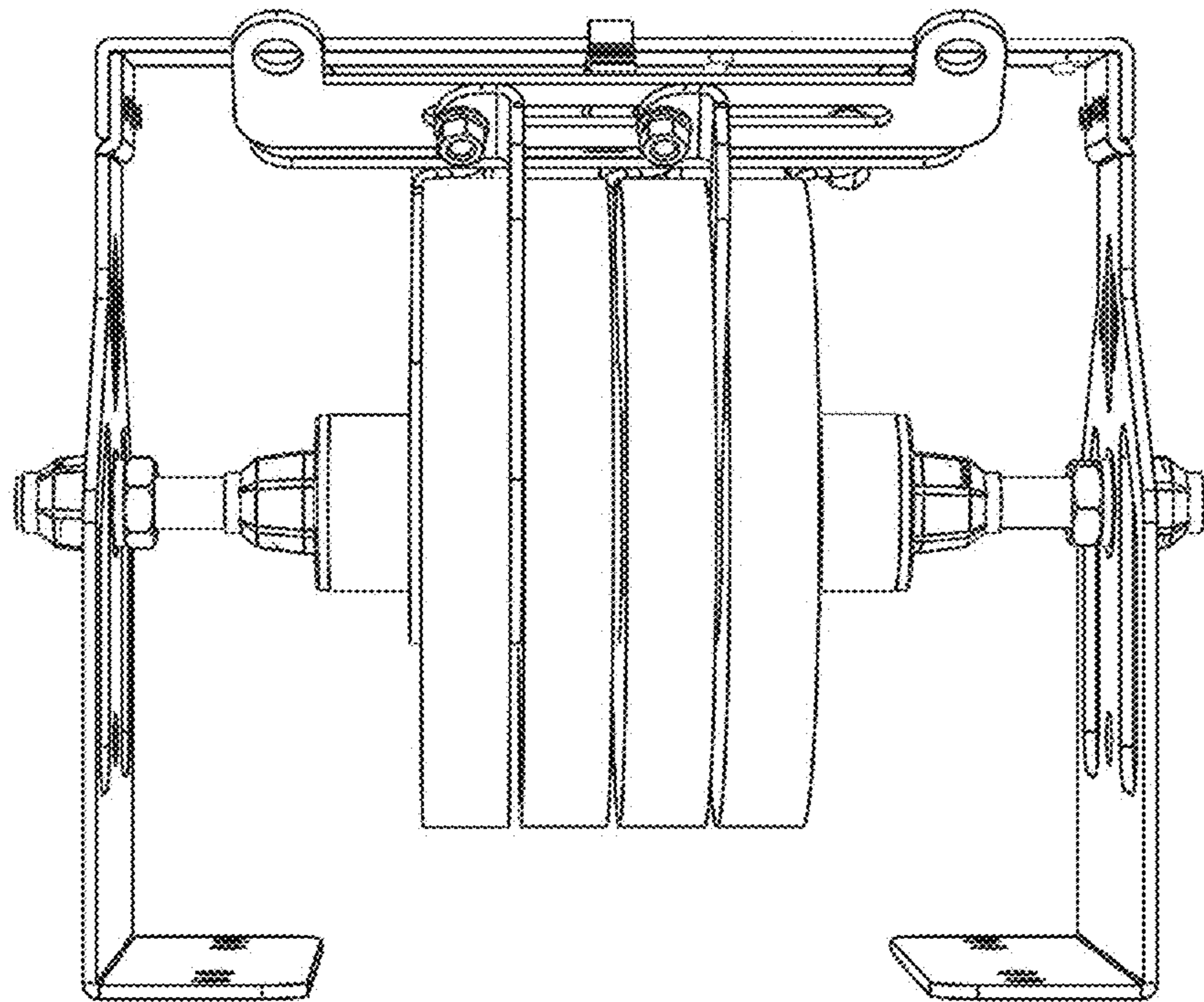


FIG. 15