



US00D811331S

(12) **United States Design Patent** (10) **Patent No.:** **US D811,331 S**  
**Garvey et al.** (45) **Date of Patent:** **\*\* Feb. 27, 2018**

(54) **GENERATOR HOUSING**

(71) Applicant: **Illinois Tool Works Inc.**, Glenview, IL (US)

(72) Inventors: **Paul William Garvey**, Freedom, WI (US); **David Edwin Radtke**, New London, WI (US)

(73) Assignee: **Illinois Tool Works Inc.**, Glenview, IL (US)

(\*\*) Term: **14 Years**

(21) Appl. No.: **29/523,828**

(22) Filed: **Apr. 14, 2015**

(51) **LOC (11) Cl.** ..... **13-01**

(52) **U.S. Cl.**  
USPC ..... **D13/122**

(58) **Field of Classification Search**  
USPC ..... D13/112, 101, 110, 113–118, 122, 123, D13/162, 184, 199; D15/3, 5, 199; 74/606 R, 609; 310/10, 40 MM, 40 R, 310/42, 51, 52, 58, 64, 71, 80, 83, 85, 88, 310/89, 91, 109, 236, 239, 254; 318/245, 318/255; 322/16, 29; 29/596–598  
CPC ..... F02B 63/04; H02K 3/24; H02K 3/47  
See application file for complete search history.

(56) **References Cited**

**U.S. PATENT DOCUMENTS**

D25,033 S *	12/1895	Jackson et al.	.....	D13/112
2,094,344 A	9/1937	Blankenbuehler		
D198,375 S *	6/1964	Cunningham	.....	D13/112
D234,429 S *	3/1975	Hershberger	.....	D13/122
D236,898 S *	9/1975	Holther, Jr.	.....	D13/112

(Continued)

**FOREIGN PATENT DOCUMENTS**

EP 2113663 11/2009

*Primary Examiner* — Derrick Holland  
*Assistant Examiner* — Jennifer O King

(74) *Attorney, Agent, or Firm* — McAndrews, Held & Malloy, Ltd.

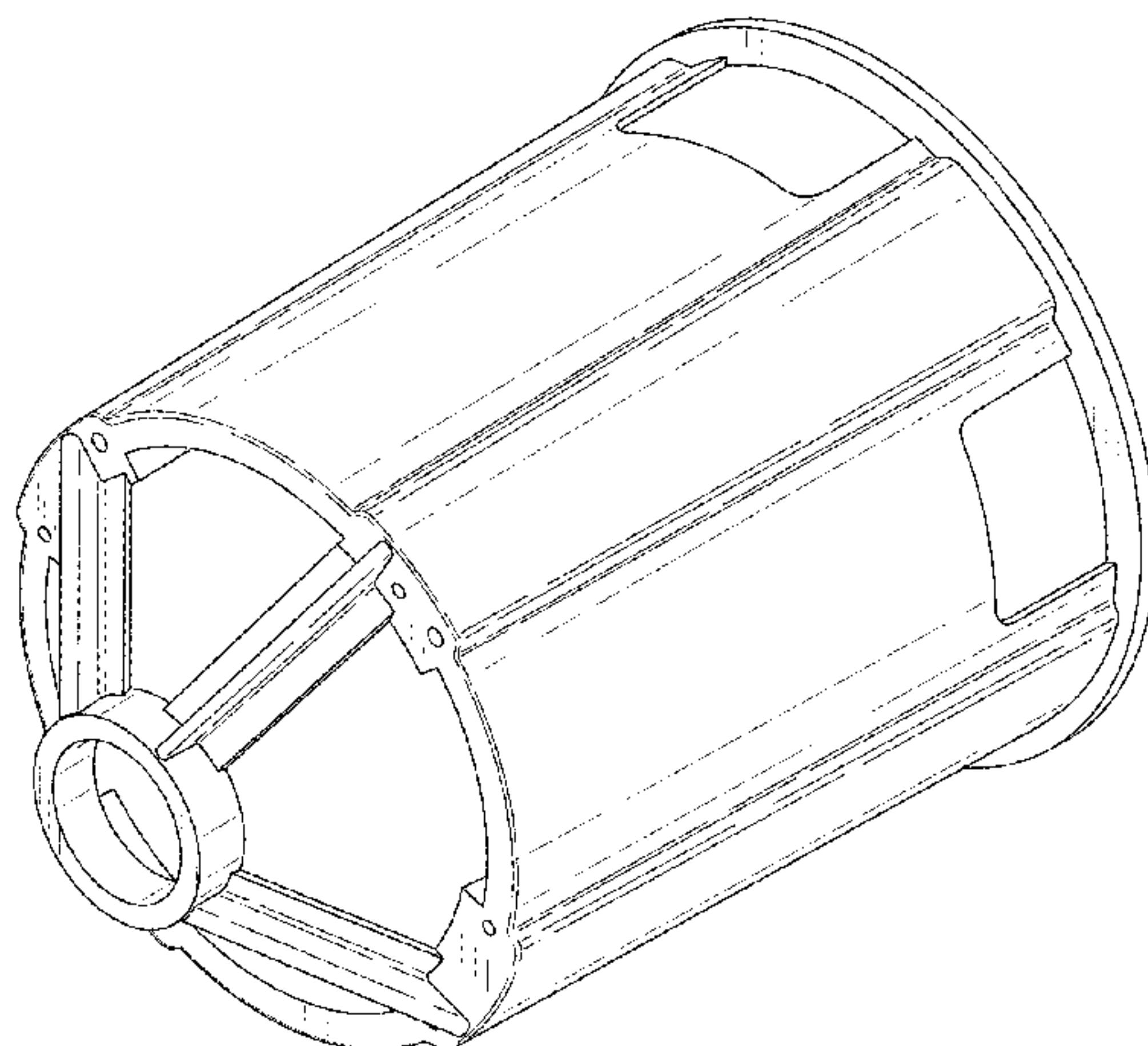
(57) **CLAIM**

The ornamental design for a generator housing, as shown and described.

**DESCRIPTION**

FIG. 1 is a perspective view of a generator housing illustrating a first embodiment of the new design; FIG. 2 is a top view of the generator housing illustrating the first embodiment of the new design; FIG. 3 is a bottom view of the generator housing illustrating the first embodiment of the new design; FIG. 4 is a side view of the generator housing illustrating the first embodiment of the new design; FIG. 5 is another side view of the generator housing illustrating the first embodiment of the new design; FIG. 6 is another side view of the generator housing illustrating the first embodiment of the new design; FIG. 7 is another side view of the generator housing illustrating the first embodiment of the new design; FIG. 8 is a perspective view of the generator housing illustrating a second embodiment of the new design; FIG. 9 is a top view of the generator housing illustrating the second embodiment of the new design; FIG. 10 is a bottom view of the generator housing illustrating the second embodiment of the new design; FIG. 11 is a side view of the generator housing illustrating the second embodiment of the new design; FIG. 12 is another side view of the generator housing illustrating the second embodiment of the new design; FIG. 13 is another side view of the generator housing illustrating the second embodiment of the new design; and, FIG. 14 is another side view of the generator housing illustrating the second embodiment of the new design. The broken lines in the drawings depict portions of the generator housing that form no part of the claimed design.

**1 Claim, 8 Drawing Sheets**



(56)

**References Cited**

U.S. PATENT DOCUMENTS

6,124,567	A	9/2000	Feldhausen et al.	
D502,917	S *	3/2005	Bird .....	D13/112
D596,120	S *	7/2009	Miyaji .....	D13/122
D603,795	S *	11/2009	Kono .....	D13/118
D672,311	S *	12/2012	Labermeier .....	D13/112
D675,649	S *	2/2013	Sands .....	D12/114
D762,579	S *	8/2016	Wilkins .....	D13/122
2014/0009125	A1	1/2014	Vanderzyden et al.	

\* cited by examiner

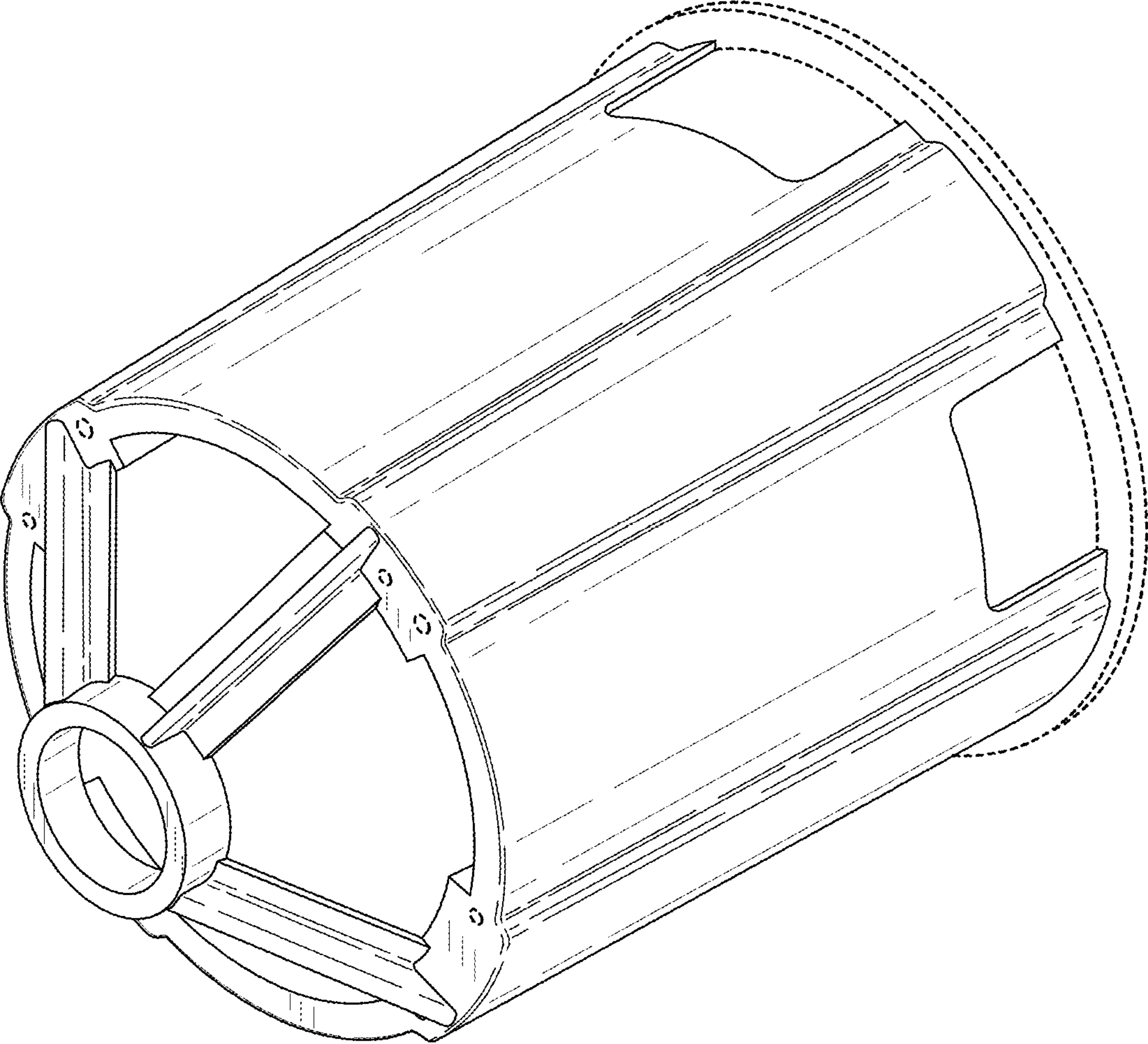


FIG. 1



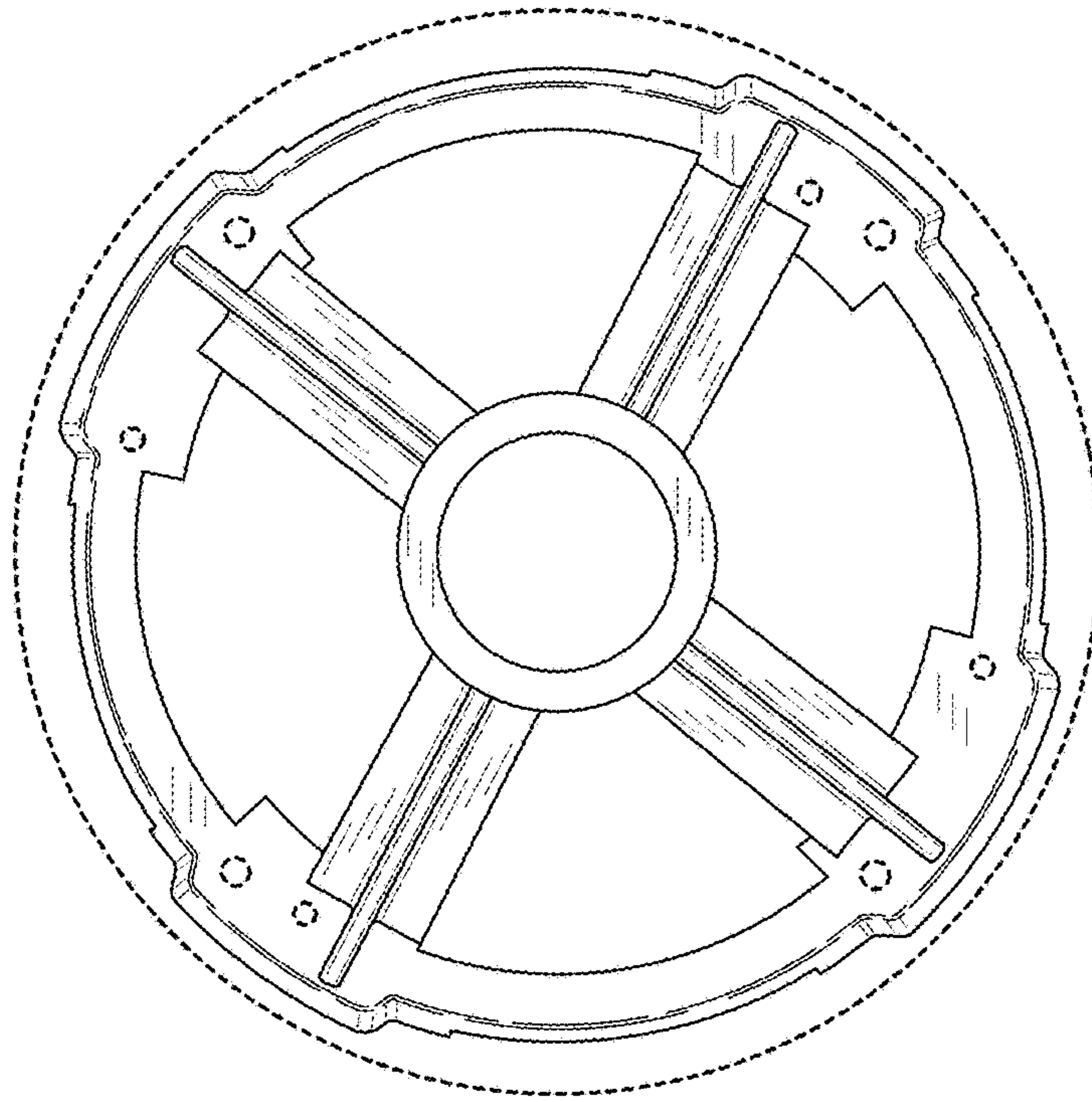


FIG. 2

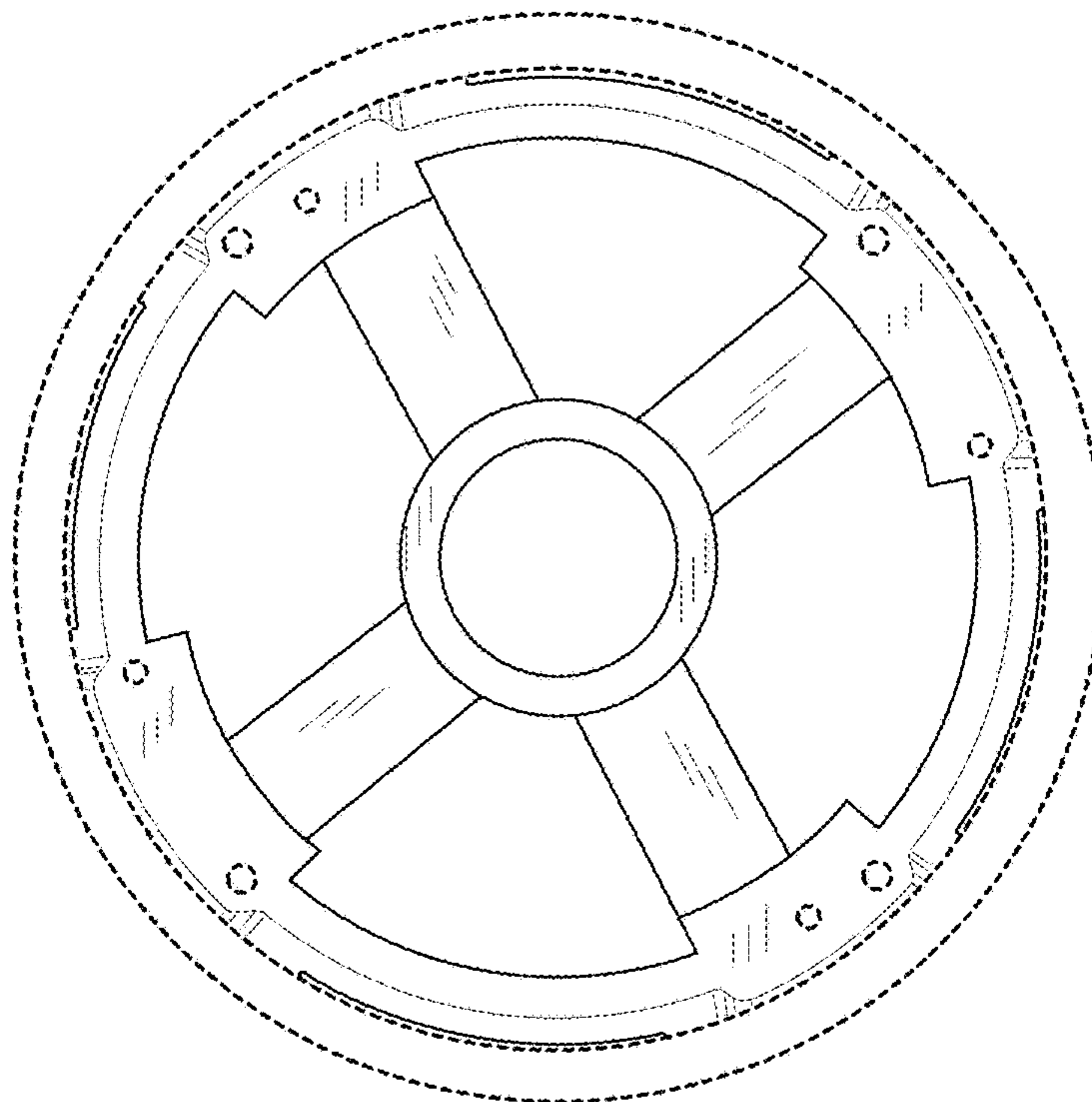


FIG. 3

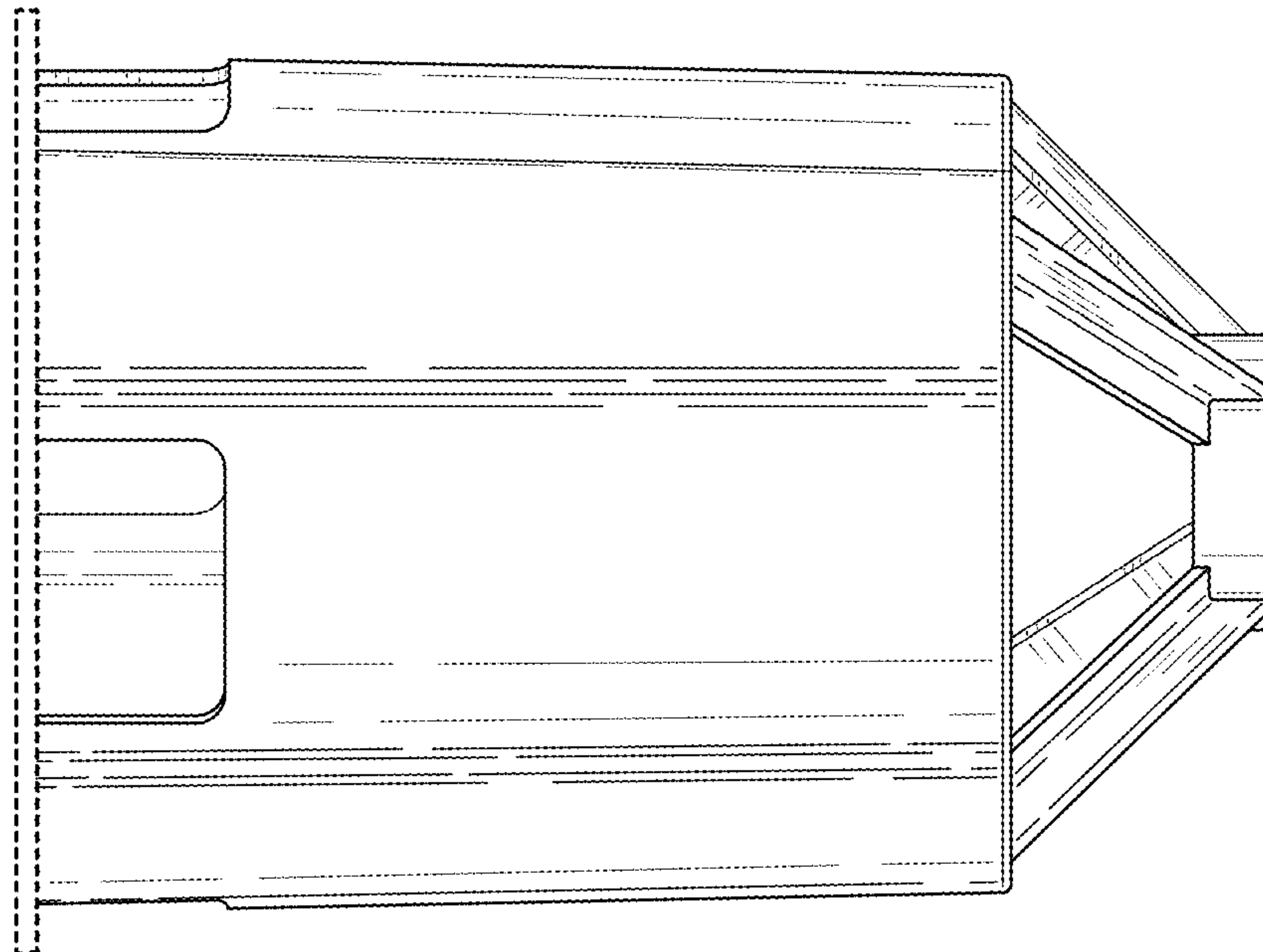


FIG. 4

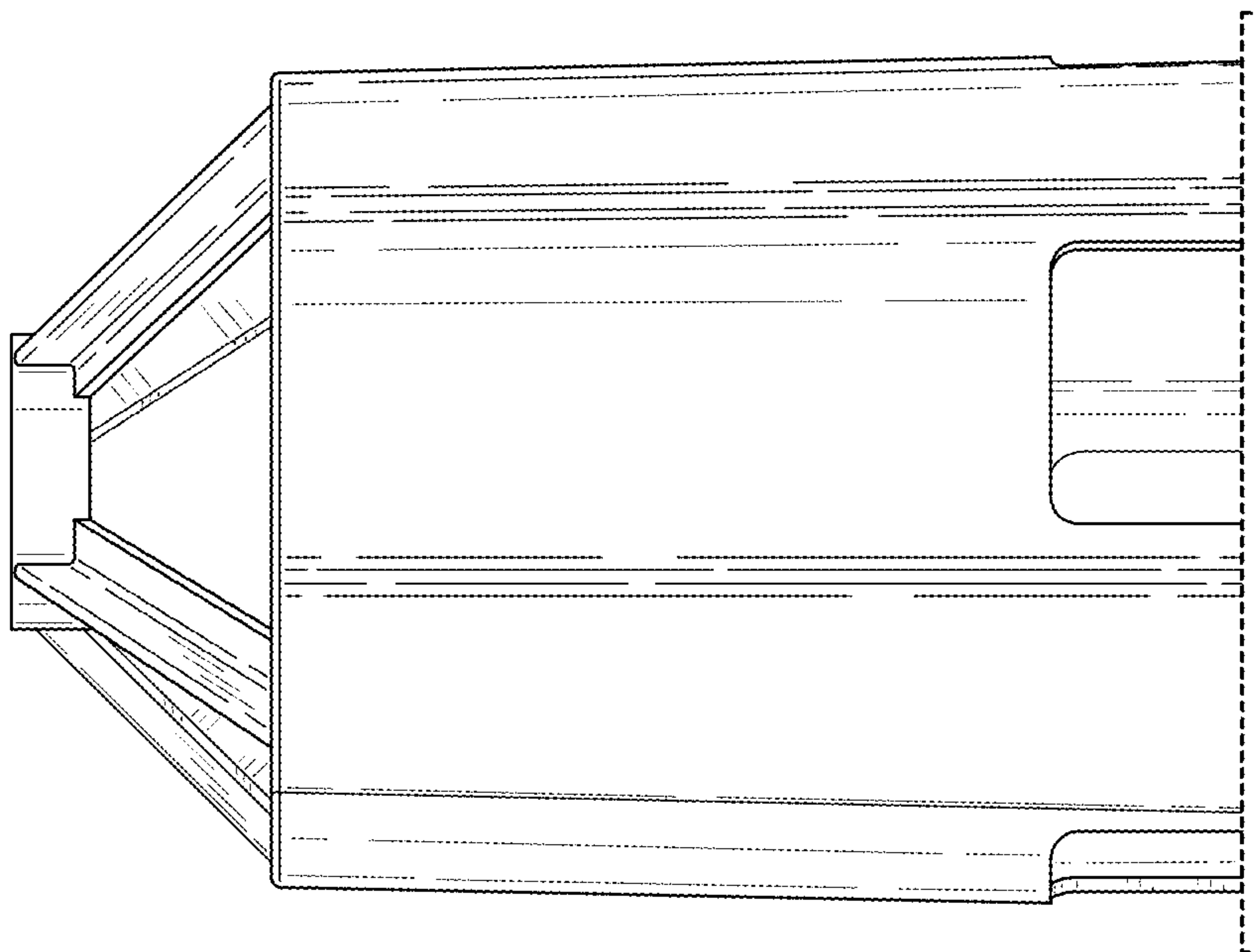


FIG. 5

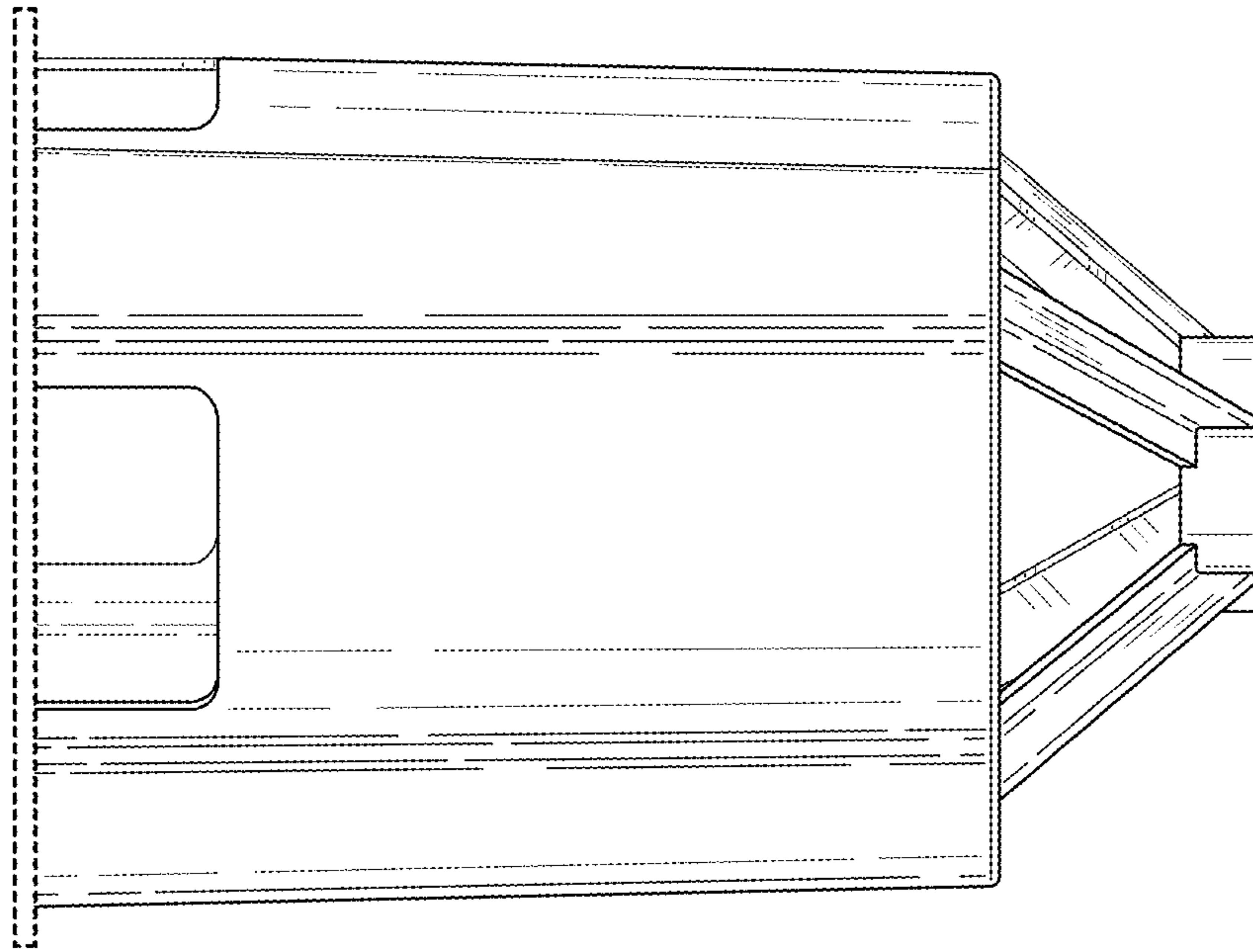


FIG. 6

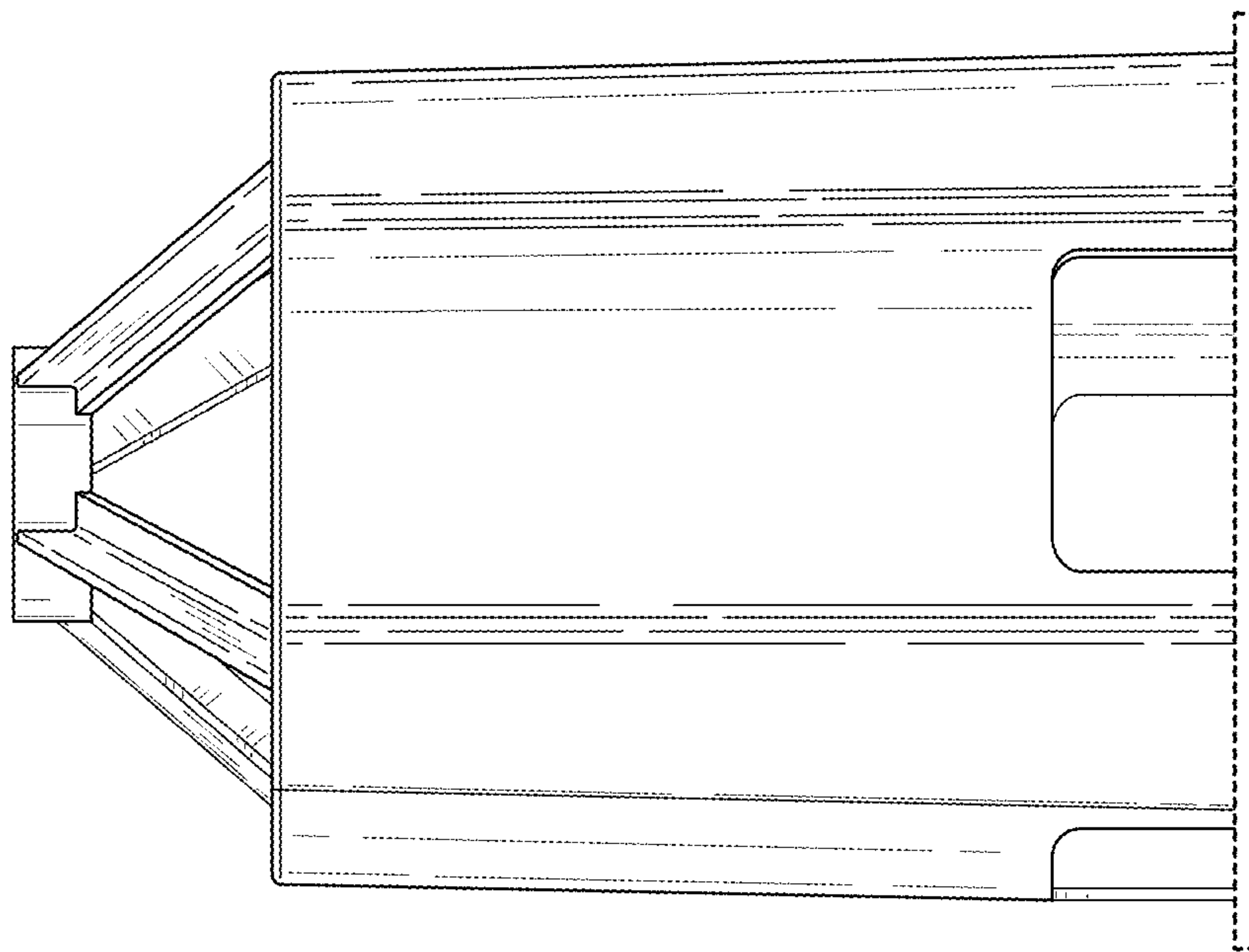


FIG. 7

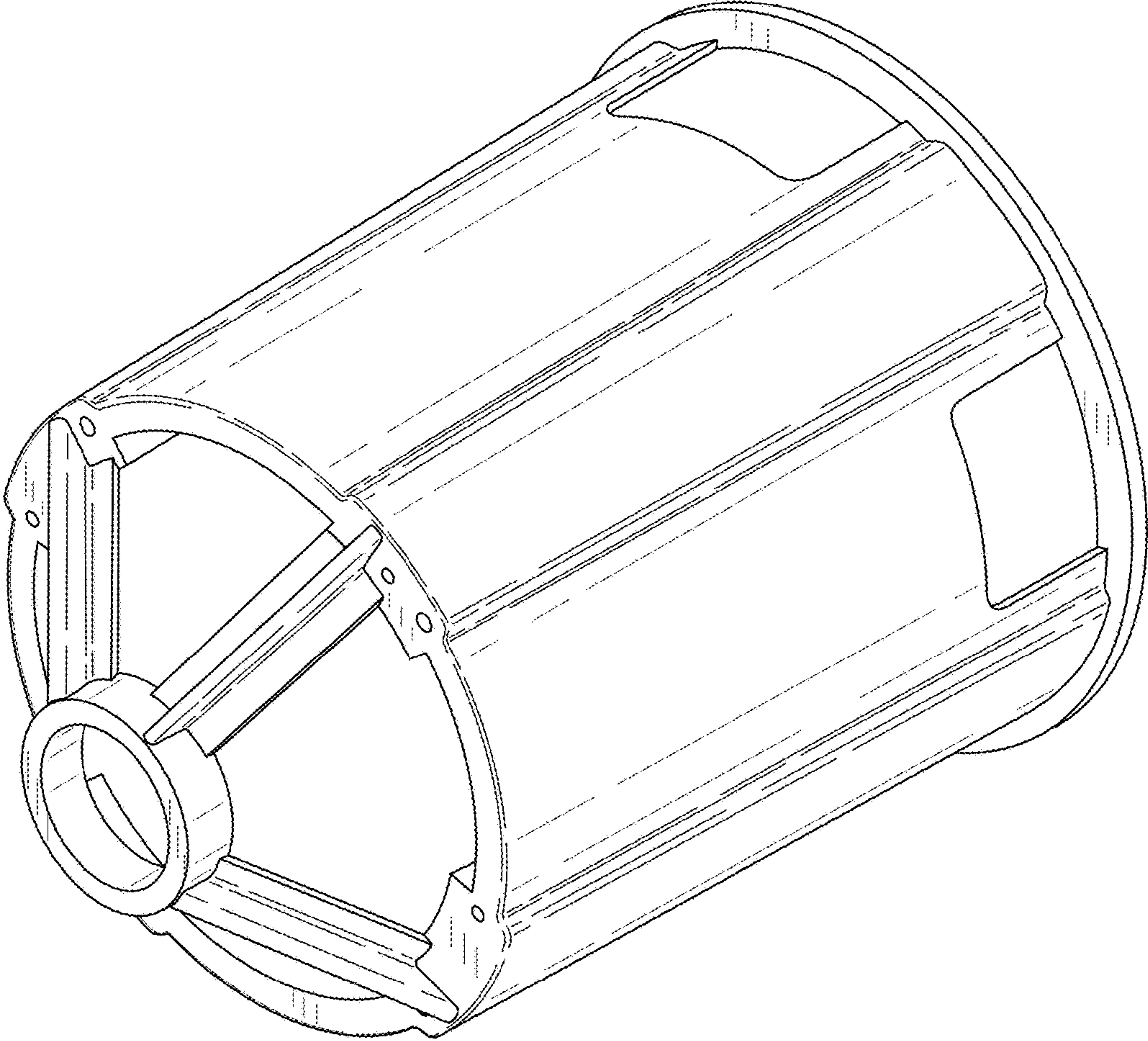


FIG. 8



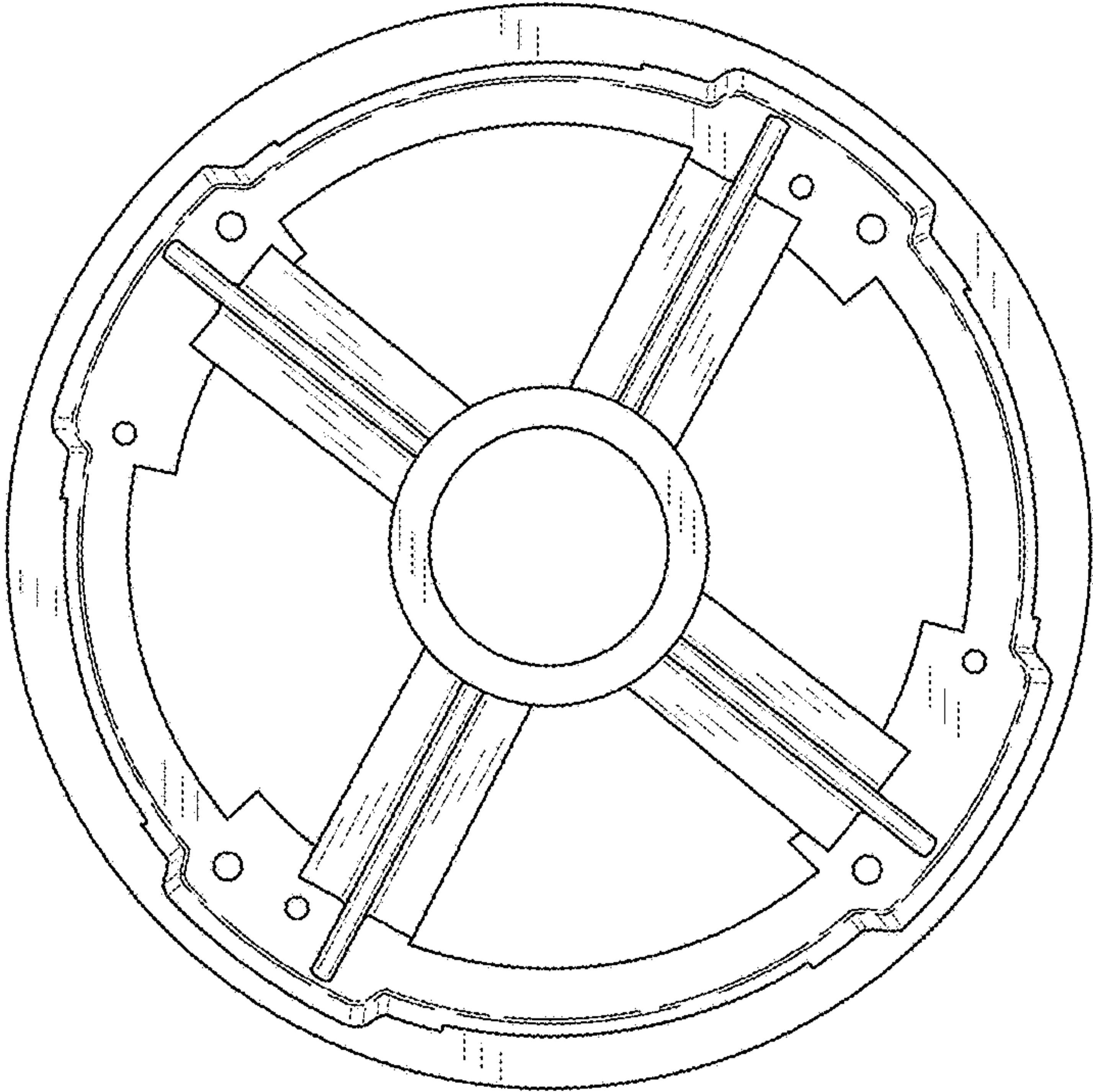


FIG. 9

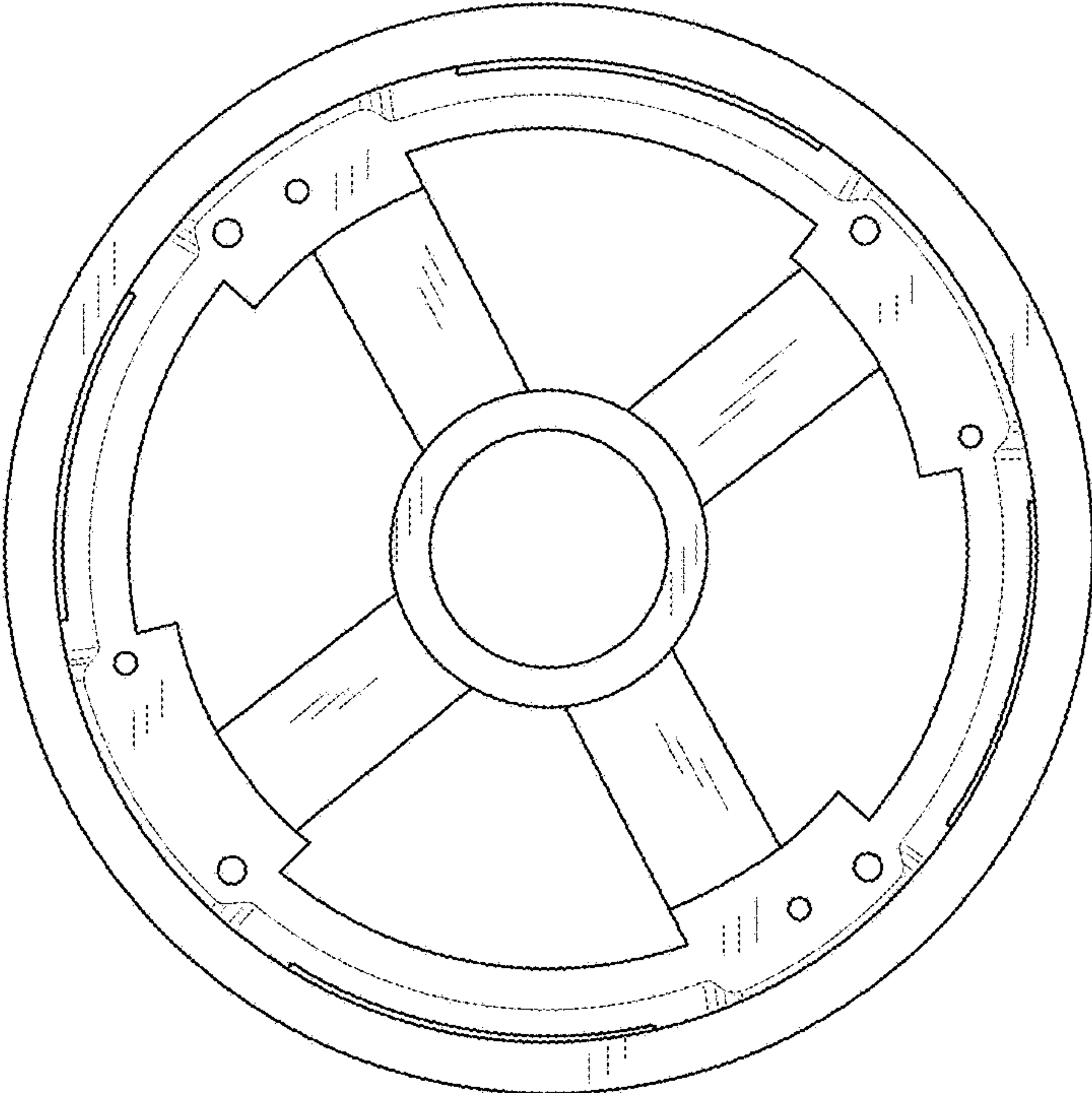
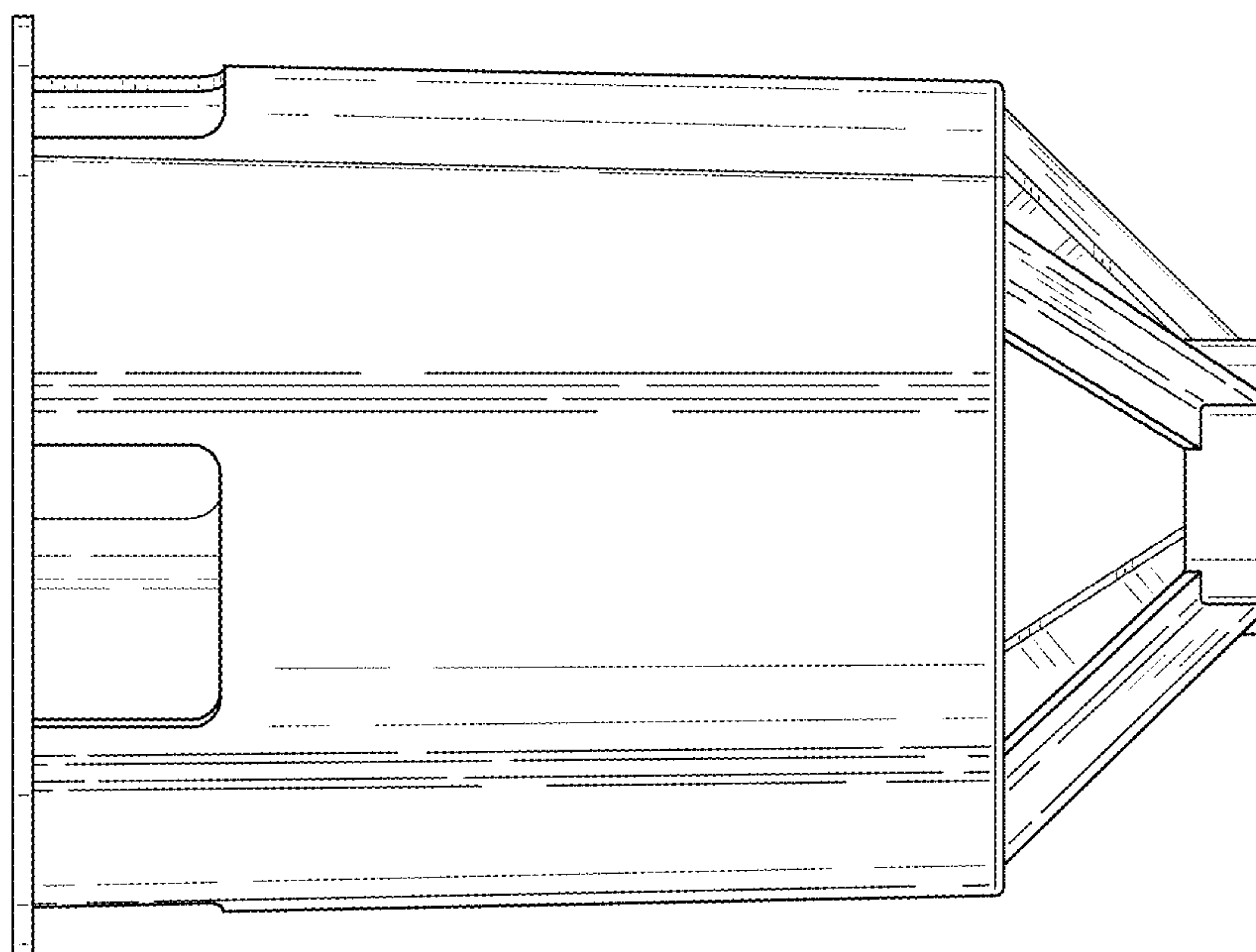
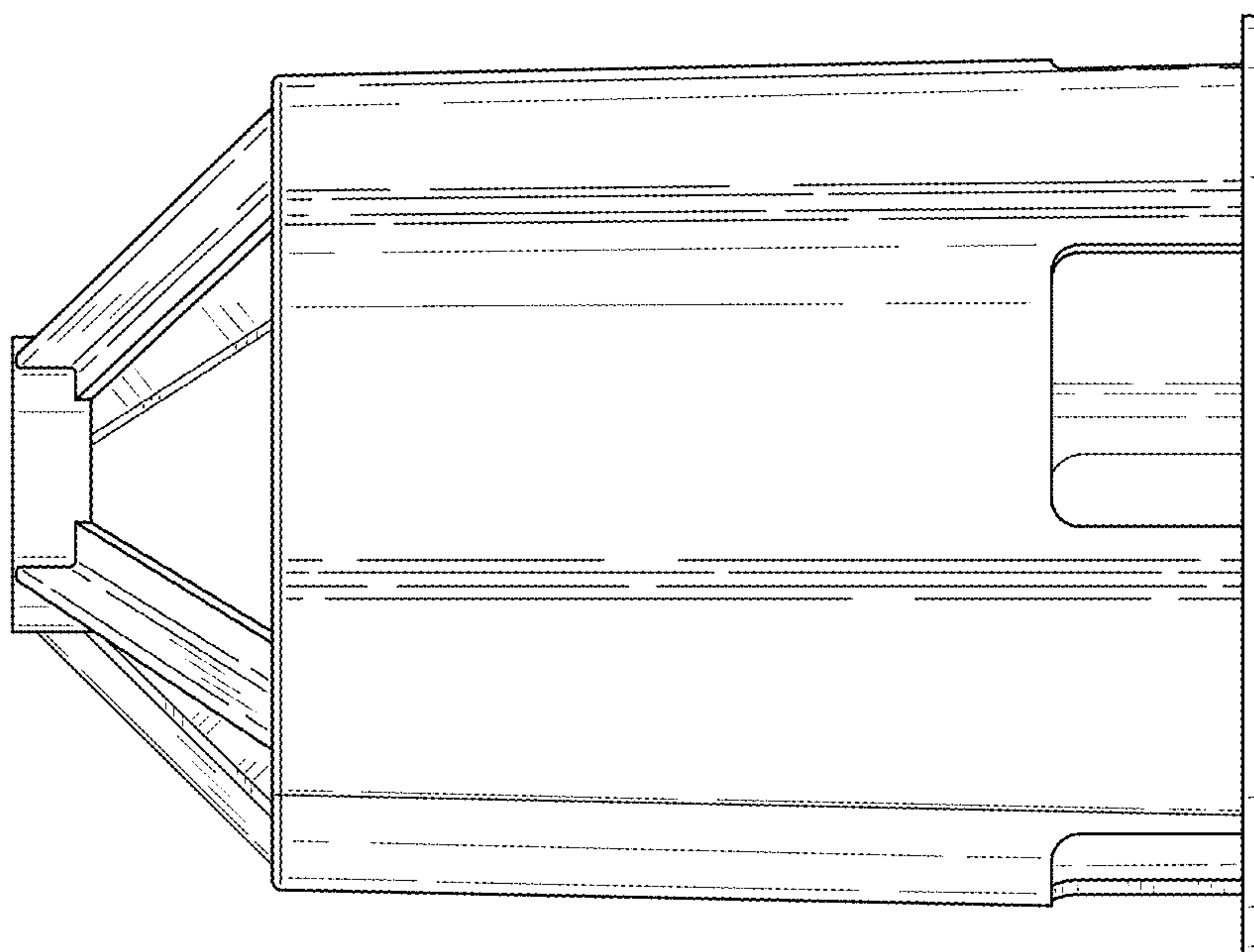


FIG. 10

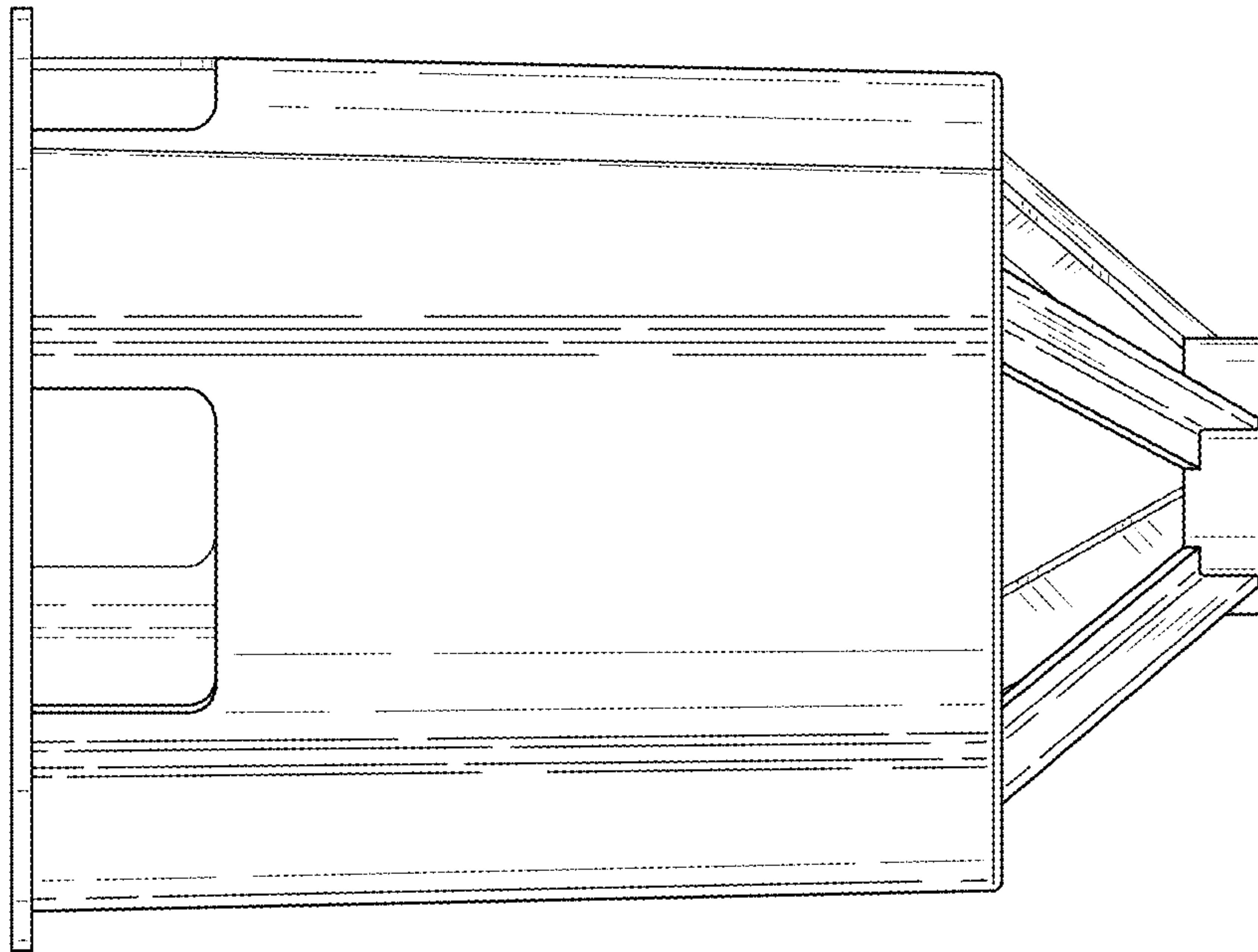




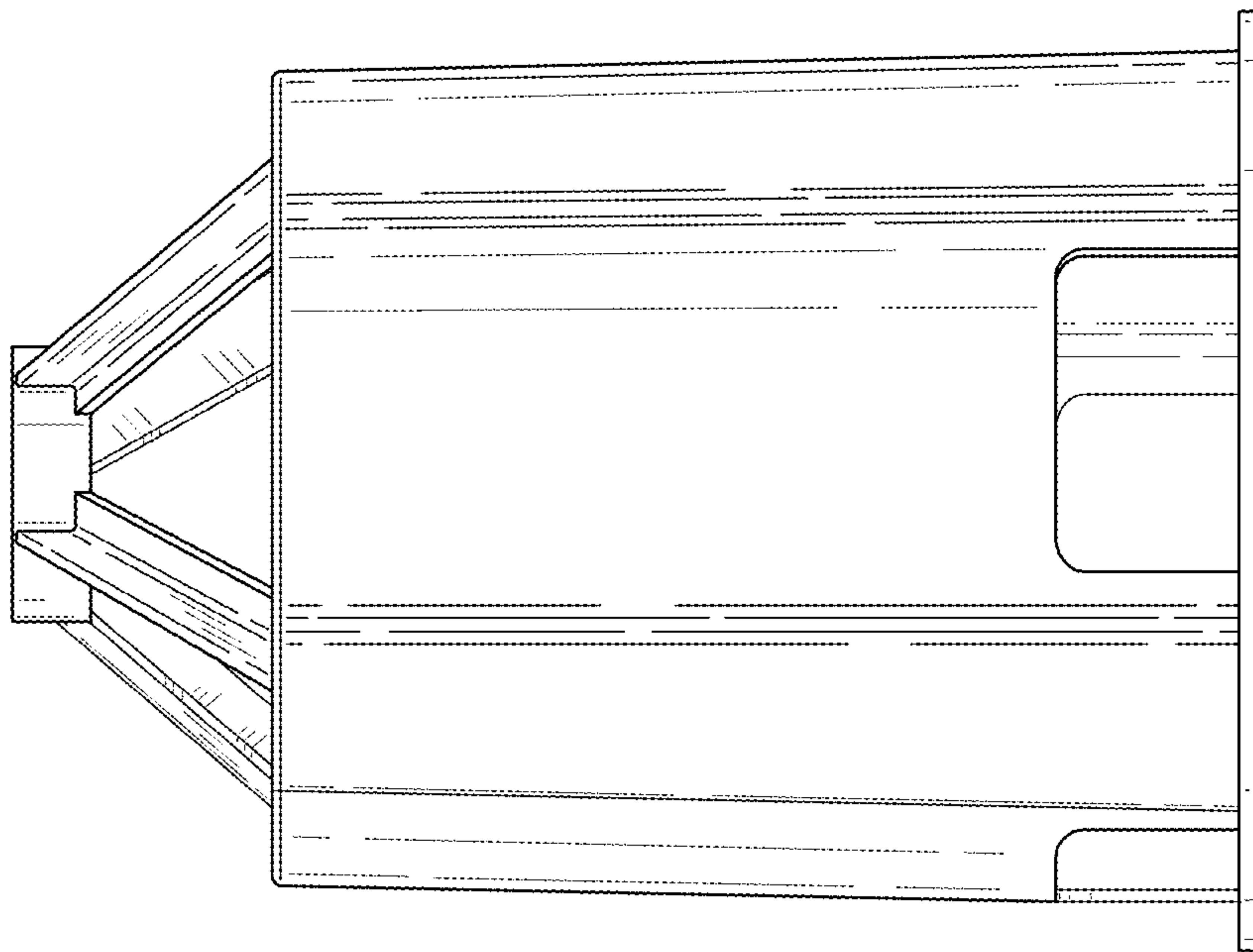
*FIG. 11*



*FIG. 12*



*FIG. 13*



*FIG. 14*