



US00D811329S

(12) **United States Design Patent** (10) **Patent No.:** **US D811,329 S**
Roberts et al. (45) **Date of Patent:** **** Feb. 27, 2018**

(54) **POWER ADAPTER**

(71) Applicant: **Google Inc.**, Mountain View, CA (US)

(72) Inventors: **Rachael Elizabeth Roberts**, San Francisco, CA (US); **Bernardo Núñez Rojas**, San Francisco, CA (US); **Phan Thao Benno Dang**, San Francisco, CA (US)

(73) Assignee: **Google LLC**, Mountain View, CA (US)

(**) Term: **15 Years**

(21) Appl. No.: **29/574,166**

(22) Filed: **Aug. 12, 2016**

Related U.S. Application Data

(62) Division of application No. 29/501,588, filed on Sep. 5, 2014, now Pat. No. Des. 772,160.

(51) **LOC (11) Cl.** **13-02**

(52) **U.S. Cl.**
USPC **D13/110**

(58) **Field of Classification Search**
USPC D13/110, 103, 107, 108, 118, 119, 138.1, D13/138.2, 139.1, 139.2, 184, 199;
(Continued)

(56) **References Cited**

U.S. PATENT DOCUMENTS

1,511,855 A 10/1924 Wentz
D110,333 S 7/1938 Aizic
(Continued)

Primary Examiner — Derrick Holland

Assistant Examiner — Jennifer O King

(74) *Attorney, Agent, or Firm* — Lerner, David, Littenberg, Krumholz & Mentlik, LLP

(57) **CLAIM**

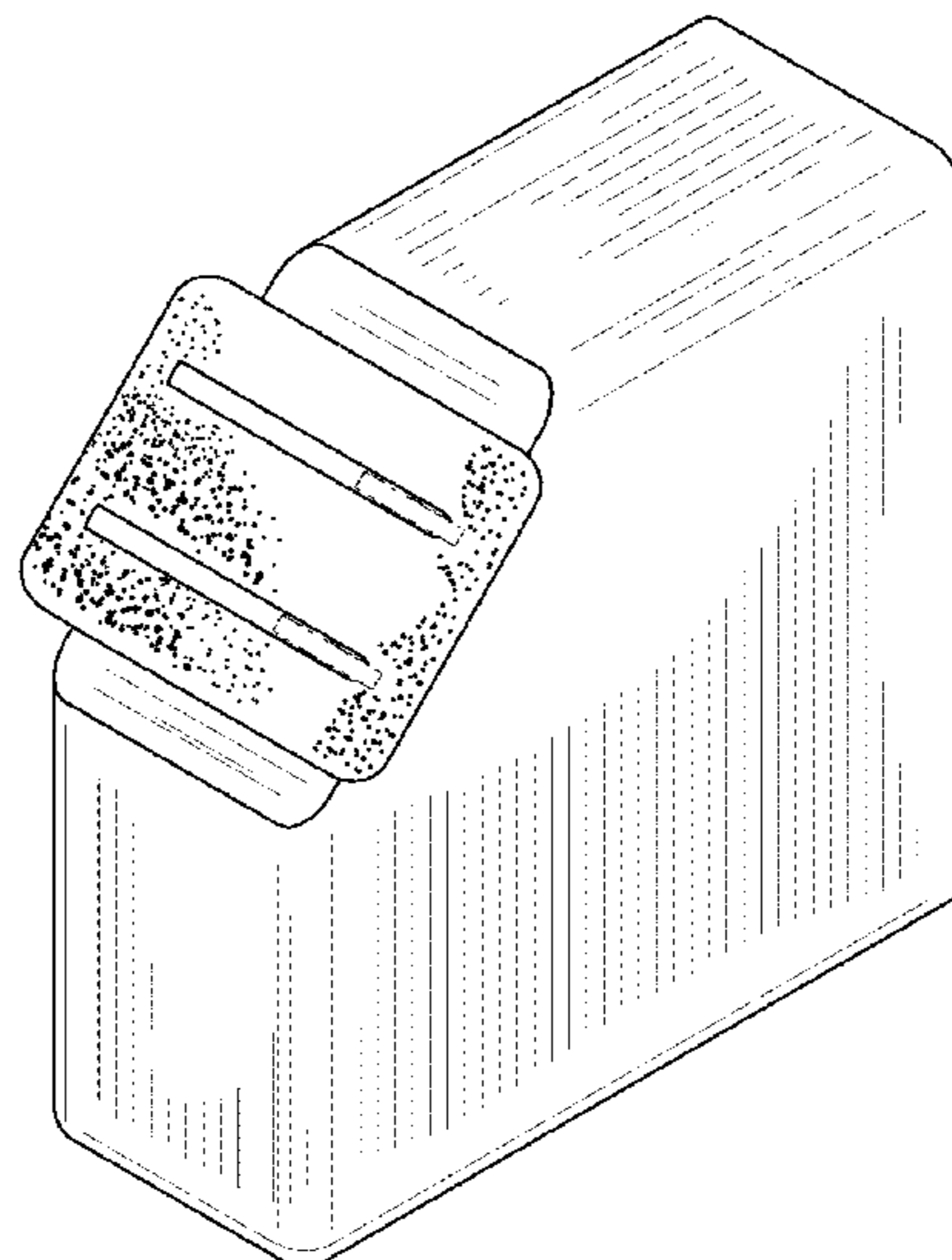
The ornamental design for a power adapter, as shown and described.

DESCRIPTION

FIG. 1 is a front perspective view of a power adapter according to a first embodiment of our design; FIG. 2 is a front elevation view thereof; FIG. 3 is a rear elevation view thereof; FIG. 4 is a left side elevation view thereof; FIG. 5 is a right side elevation view thereof; FIG. 6 is a top view thereof; FIG. 7 is a bottom view thereof; FIG. 8 is a front perspective view of a power adapter according to a second embodiment of our design; FIG. 9 is a front elevation view thereof; FIG. 10 is a rear elevation view thereof; FIG. 11 is a left side elevation view thereof; FIG. 12 is a right side elevation view thereof; FIG. 13 is a top view thereof; FIG. 14 is a bottom view thereof; FIG. 15 is a front perspective view of a power adapter according to a third embodiment of our design; FIG. 16 is a front elevation view thereof; FIG. 17 is a rear elevation view thereof; FIG. 18 is a left side elevation view thereof; FIG. 19 is a right side elevation view thereof; FIG. 20 is a top view thereof; FIG. 21 is a bottom view thereof; FIG. 22 is a front perspective view of a power adapter according to a fourth embodiment of our design; FIG. 23 is a front elevation view thereof; FIG. 24 is a rear elevation view thereof; FIG. 25 is a left side elevation view thereof; FIG. 26 is a right side elevation view thereof; FIG. 27 is a top view thereof; and, FIG. 28 is a bottom view thereof.

The broken lines shown represent unclaimed subject matter and form no part of the claimed design. The stipple shading shown in the figures represents a contrast in appearance from the non-stippled filled areas.

1 Claim, 15 Drawing Sheets



(58) **Field of Classification Search**
 USPC 320/111; D14/253, 432, 433, 434;
 439/103-105, 131, 172; D9/432, 526;
 D28/83
 CPC H01R 25/00; H01R 31/06; H02J 7/0062
 See application file for complete search history.

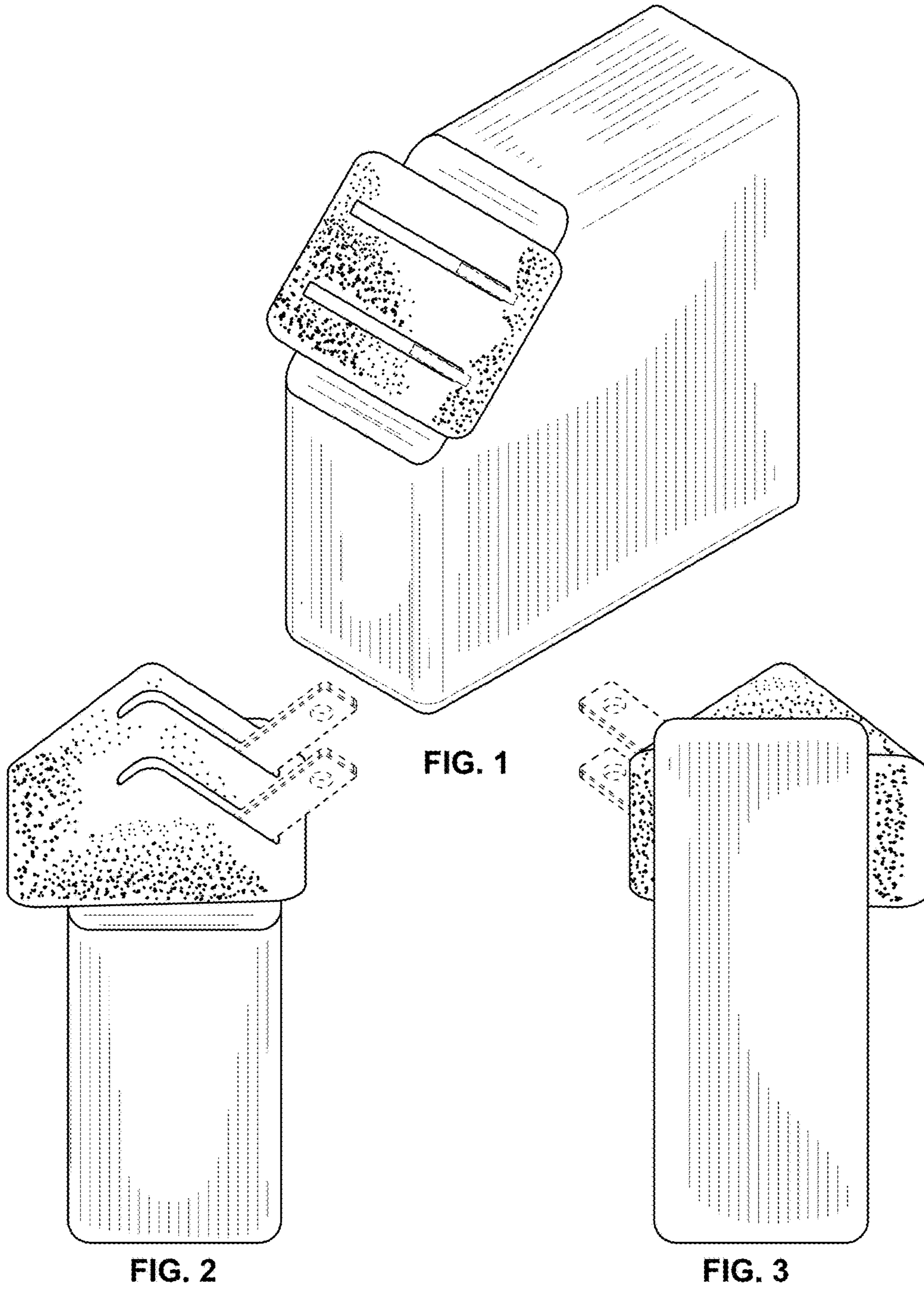
(56) **References Cited**

U.S. PATENT DOCUMENTS

2,500,987 A 3/1950 Harpster
 2,542,180 A 2/1951 Chemlinski
 D222,826 S 1/1972 Newman
 3,813,640 A * 5/1974 Carissimi H01R 31/00
 174/66
 D244,355 S 5/1977 Mazie et al.
 D246,129 S * 10/1977 Klamer D21/499
 D276,225 S 11/1984 Powel
 D278,032 S 3/1985 de Mourgues
 D292,700 S 11/1987 Rauch
 D306,933 S 4/1990 Holewinski
 D308,962 S 7/1990 Duk
 D314,143 S * 1/1991 Dinand D9/544
 D324,685 S 3/1992 Strohbeen
 5,115,966 A 5/1992 McKibben et al.
 5,171,168 A * 12/1992 Chiodo H01R 13/652
 439/651
 D375,291 S 11/1996 Cheung
 5,679,026 A * 10/1997 Fain A61N 1/3752
 439/651
 D408,786 S 4/1999 Goto
 5,957,280 A * 9/1999 Focke B65D 5/549
 206/264
 D430,025 S * 8/2000 Kelsey D9/432
 6,118,643 A * 9/2000 Dyer H01R 9/2458
 361/111
 D433,941 S * 11/2000 Kelsey D9/432
 D436,345 S 1/2001 Lentine
 D440,937 S 4/2001 Germagian et al.
 6,315,617 B1 * 11/2001 Al-Sabah H01R 13/6666
 439/652
 D478,310 S 8/2003 Andre et al.
 D478,546 S 8/2003 Andre et al.
 D484,853 S 1/2004 Alviar
 6,709,297 B2 * 3/2004 Lee H01R 31/02
 439/490
 D512,963 S 12/2005 Lee
 D517,985 S 3/2006 Hirabayashi et al.
 D519,922 S 5/2006 Andre et al.
 D530,447 S * 10/2006 Velloni D27/189

D548,187 S 8/2007 Holland
 D559,783 S 1/2008 Matzdorff et al.
 D573,951 S 7/2008 Schwartz
 7,422,437 B1 9/2008 Lin et al.
 7,435,091 B1 10/2008 Cruz
 D586,221 S 2/2009 Shaikh
 D588,065 S 3/2009 Wadsworth et al.
 7,497,707 B2 3/2009 Wu et al.
 D596,571 S 7/2009 Green
 7,573,159 B1 8/2009 DeIuliis et al.
 7,604,511 B1 10/2009 Johnson
 7,658,625 B2 2/2010 Jubelirer et al.
 D614,134 S * 4/2010 Chen D13/137.2
 D620,485 S 7/2010 Corrigan et al.
 D620,889 S 8/2010 Smith et al.
 7,926,673 B2 4/2011 Nilsson
 7,946,868 B1 5/2011 Chen
 D647,476 S 10/2011 Ciou
 D652,380 S 1/2012 Chen et al.
 D660,795 S 5/2012 Wen et al.
 8,222,773 B2 7/2012 De Iuliis et al.
 8,232,672 B2 7/2012 De Iuliis et al.
 D676,421 S 2/2013 Garrett
 D677,158 S 3/2013 Delaney et al.
 8,388,352 B1 3/2013 ChongYu et al.
 8,398,430 B1 3/2013 Queru
 D680,491 S 4/2013 Paschke et al.
 8,408,924 B1 4/2013 Queru
 8,512,056 B2 8/2013 Wen et al.
 8,579,641 B1 11/2013 Queru
 8,579,656 B2 11/2013 Huang
 8,641,459 B1 2/2014 Matsuoka et al.
 8,674,558 B2 3/2014 De Iuliis et al.
 8,708,722 B1 4/2014 Walliser et al.
 D704,632 S 5/2014 On et al.
 D706,220 S 6/2014 Laslasky et al.
 D711,237 S 8/2014 Fleischhacker
 D714,249 S 9/2014 Carney et al.
 D716,225 S 10/2014 Akana et al.
 D734,895 S 7/2015 Liu
 D735,130 S 7/2015 Huang
 D756,913 S 5/2016 Esses
 D776,617 S 1/2017 Lagerstedt et al.
 2015/0249310 A1 * 9/2015 McLaughlin H01R 31/06
 439/652
 2016/0056600 A1 * 2/2016 Liao H01R 35/04
 439/131
 2016/0056649 A1 * 2/2016 Chen H02J 7/0042
 320/111
 2016/0141903 A1 5/2016 Chen et al.
 2017/0025886 A1 1/2017 Rohmer et al.

* cited by examiner



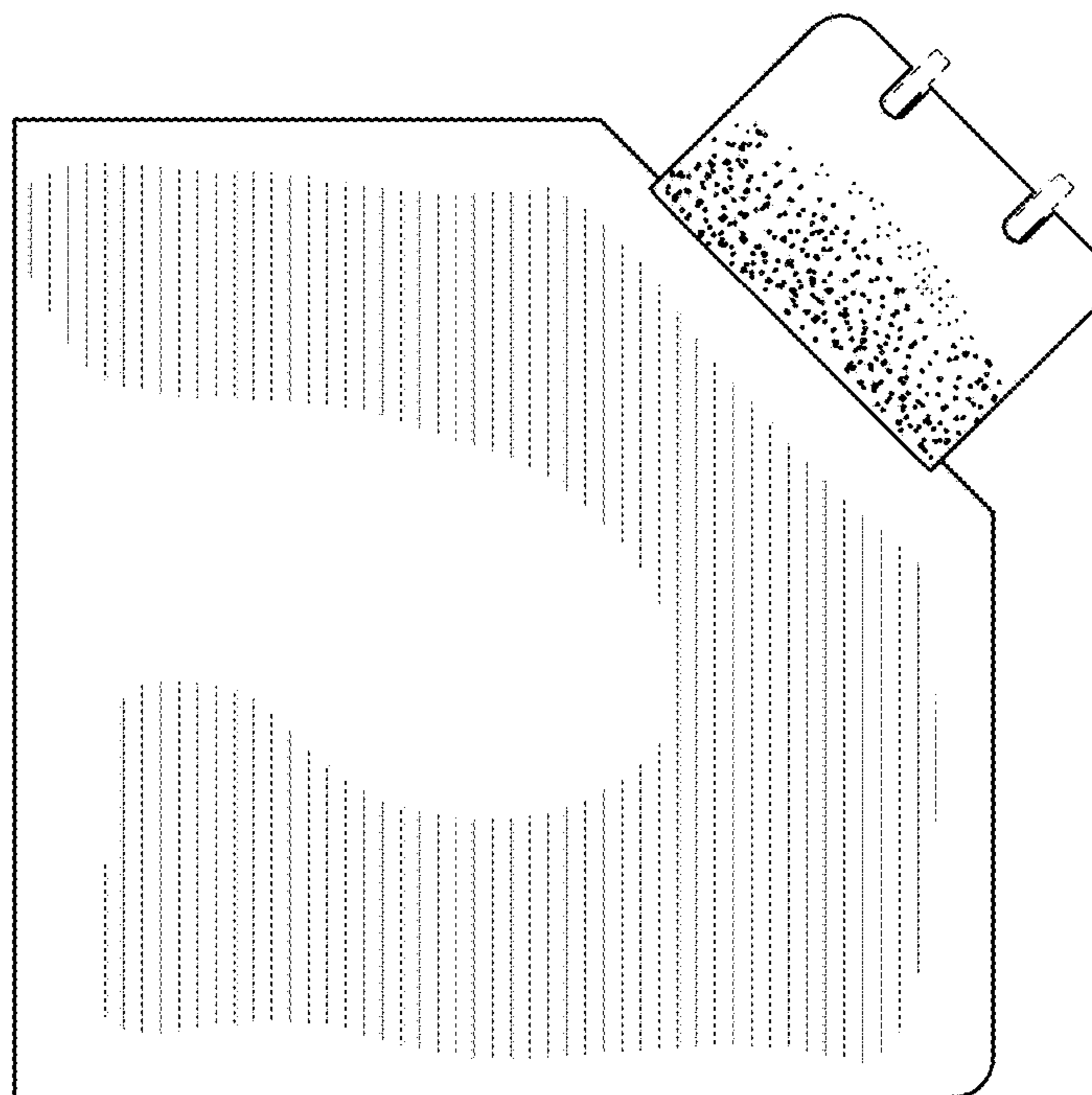


FIG. 4

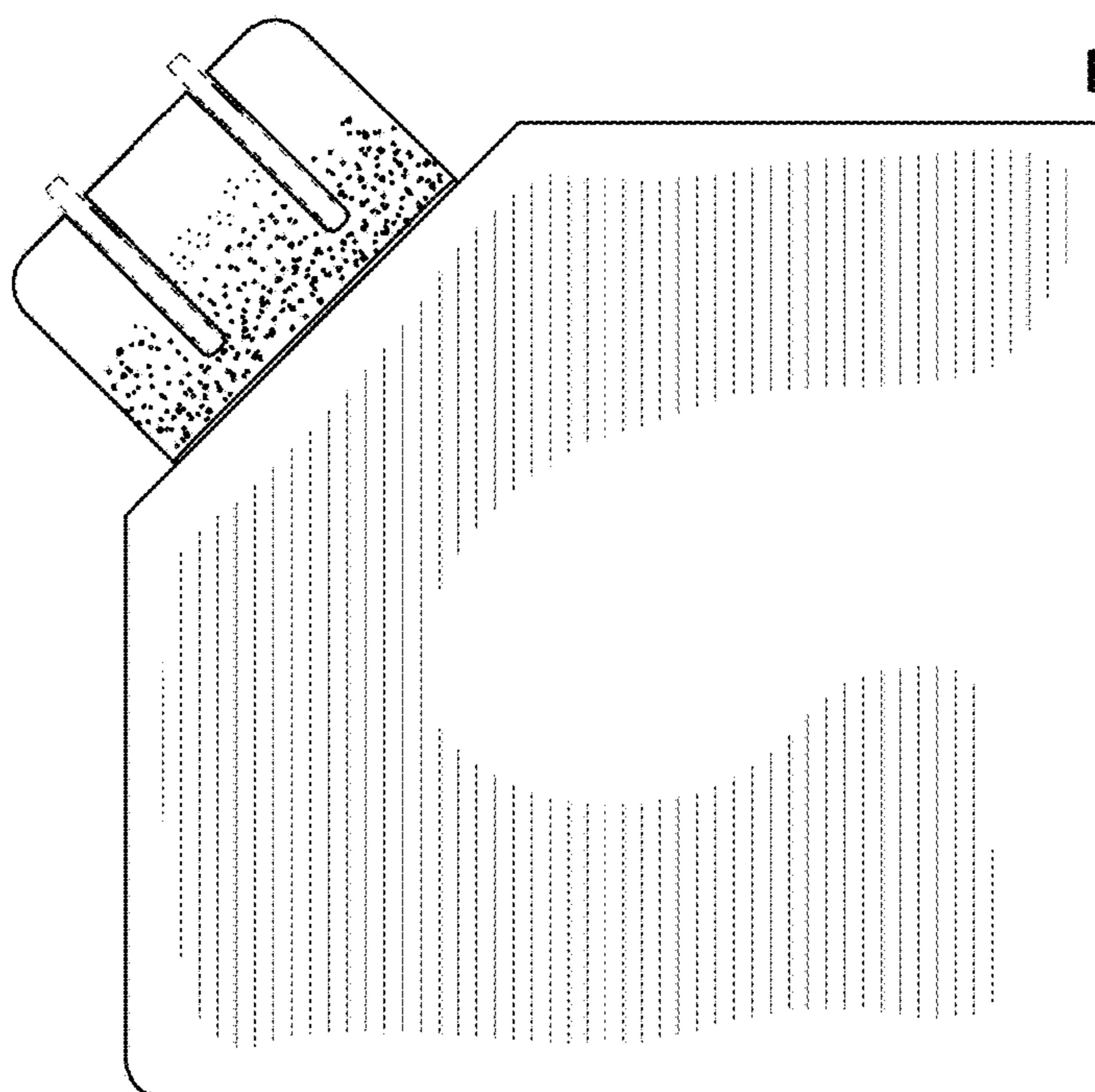


FIG. 5

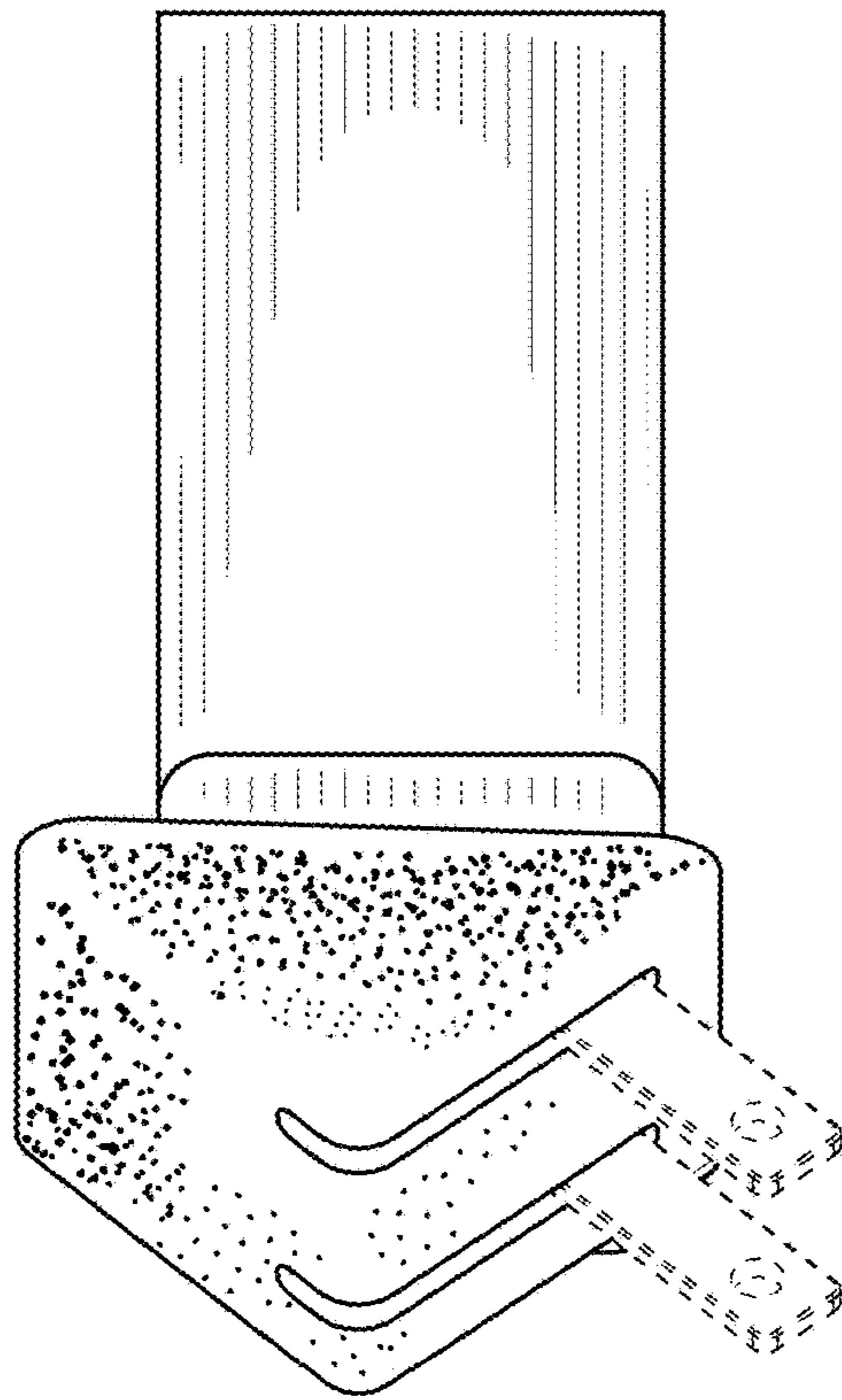


FIG. 6

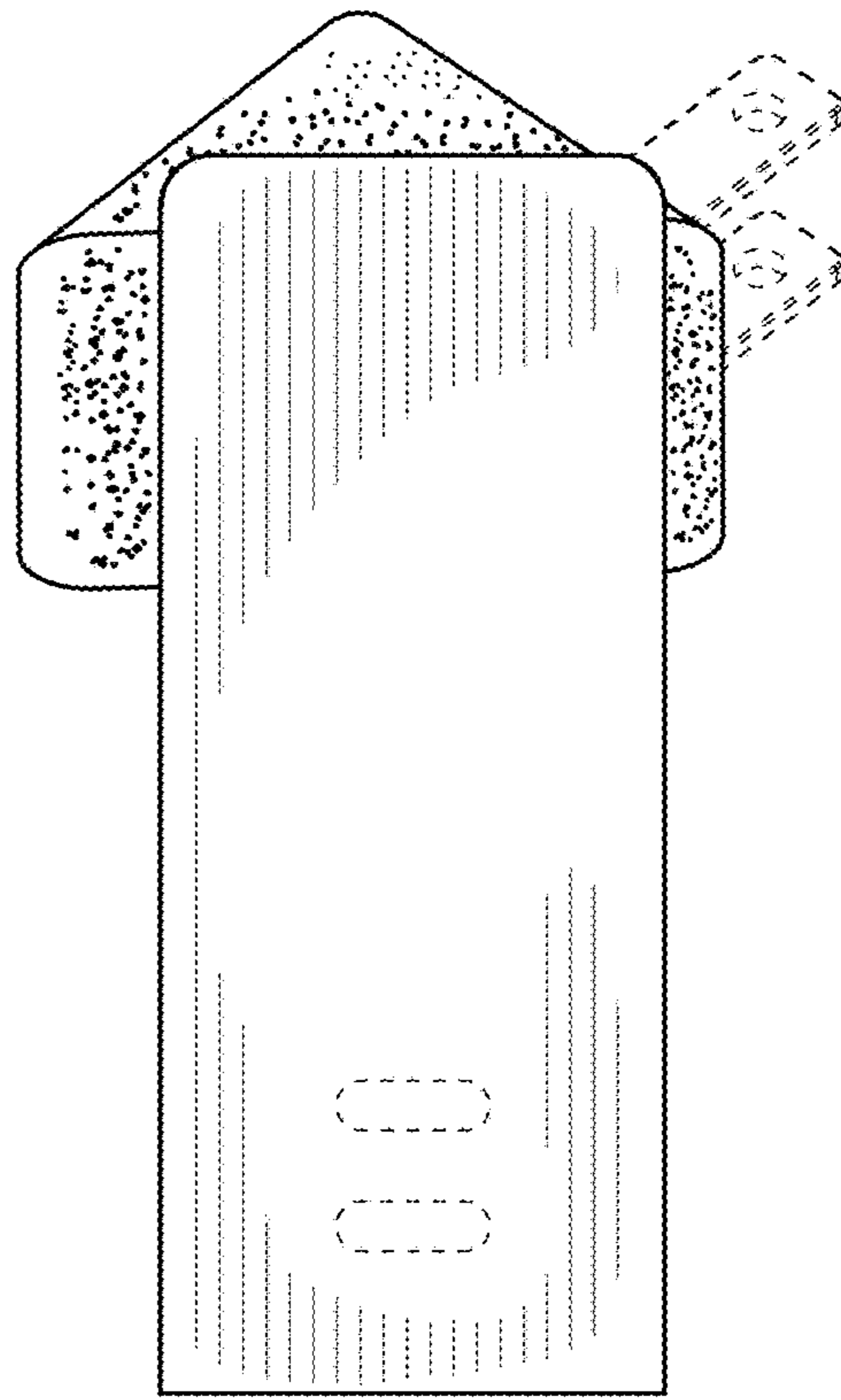


FIG. 7

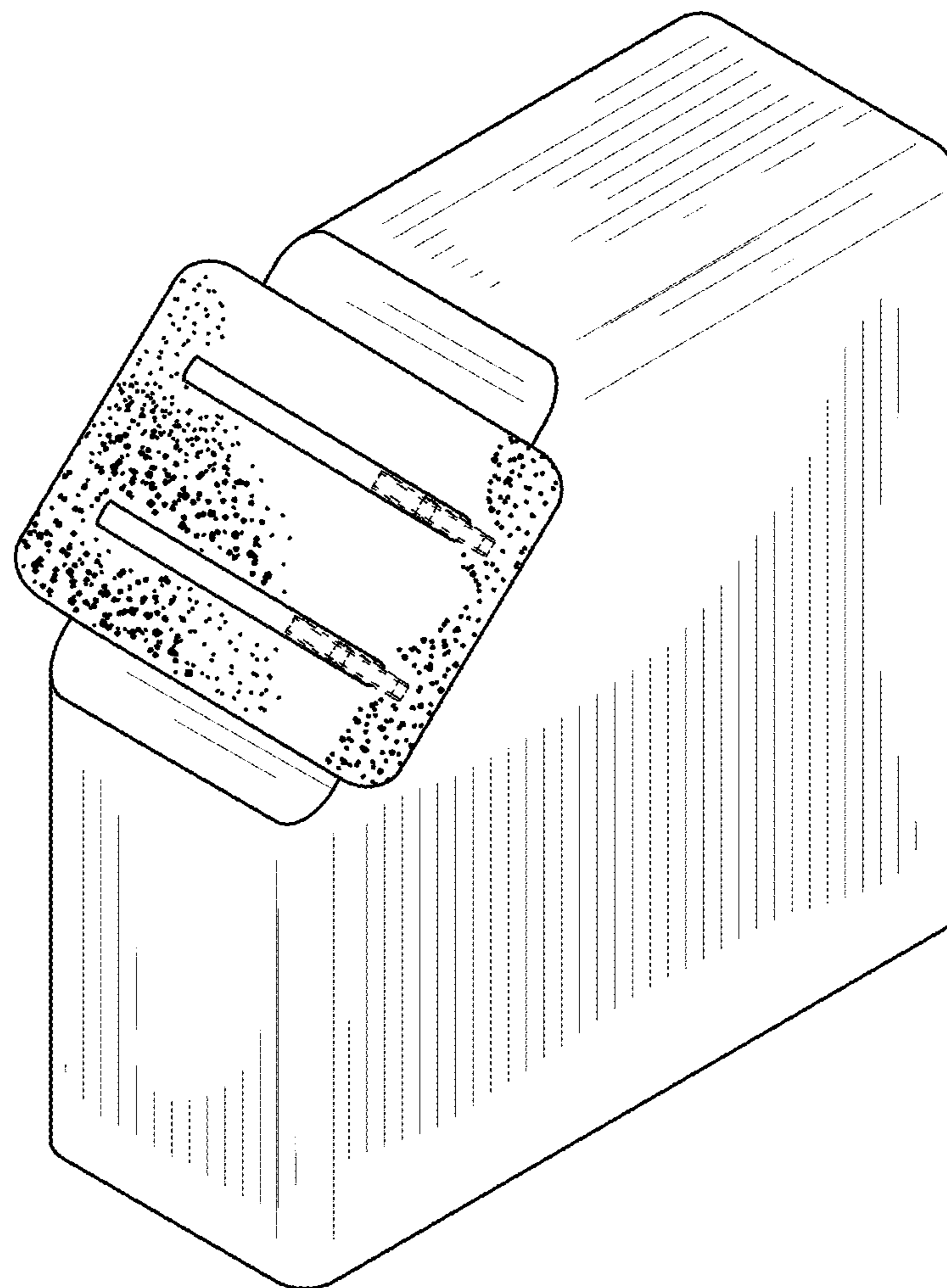


FIG. 8

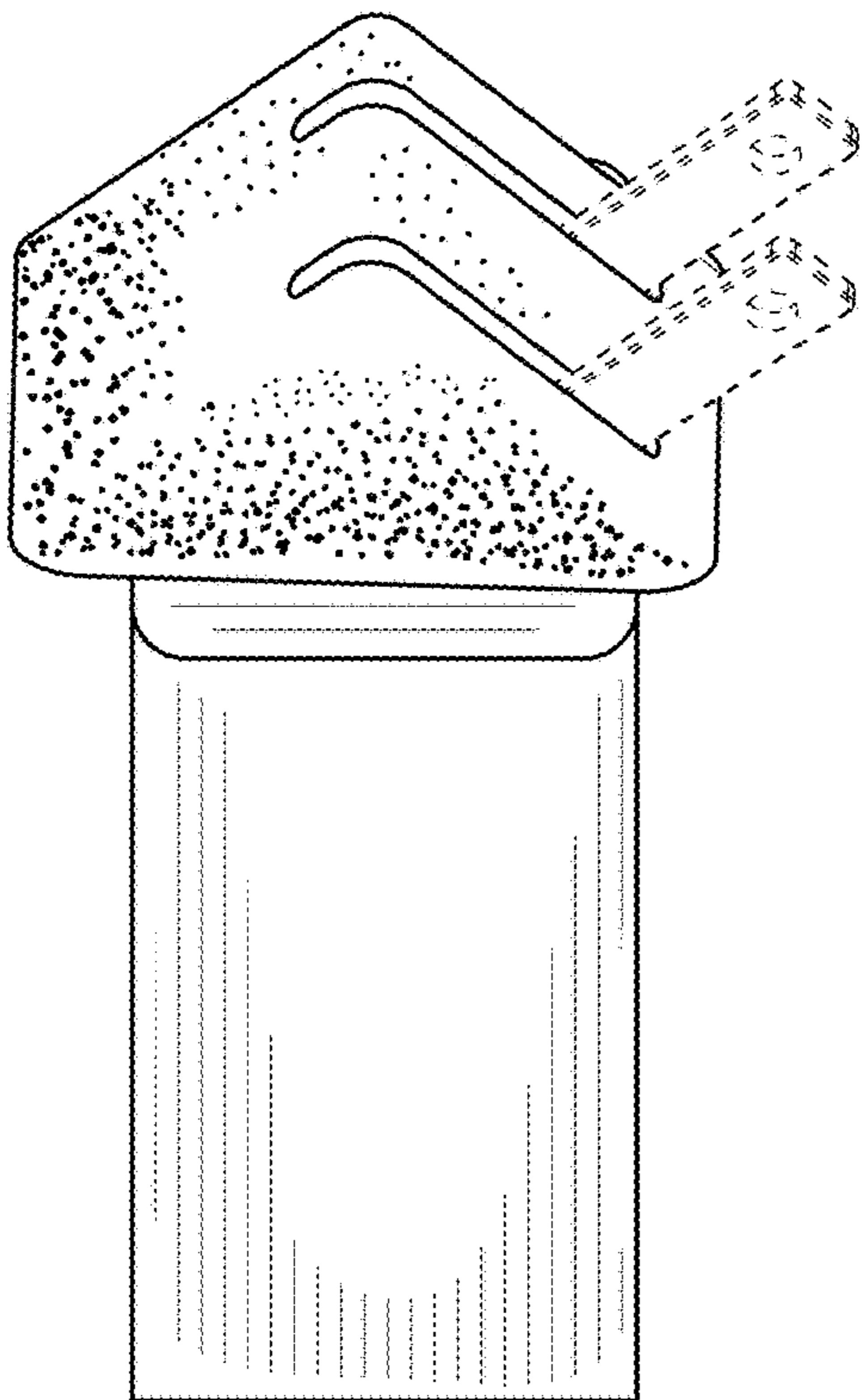


FIG. 9

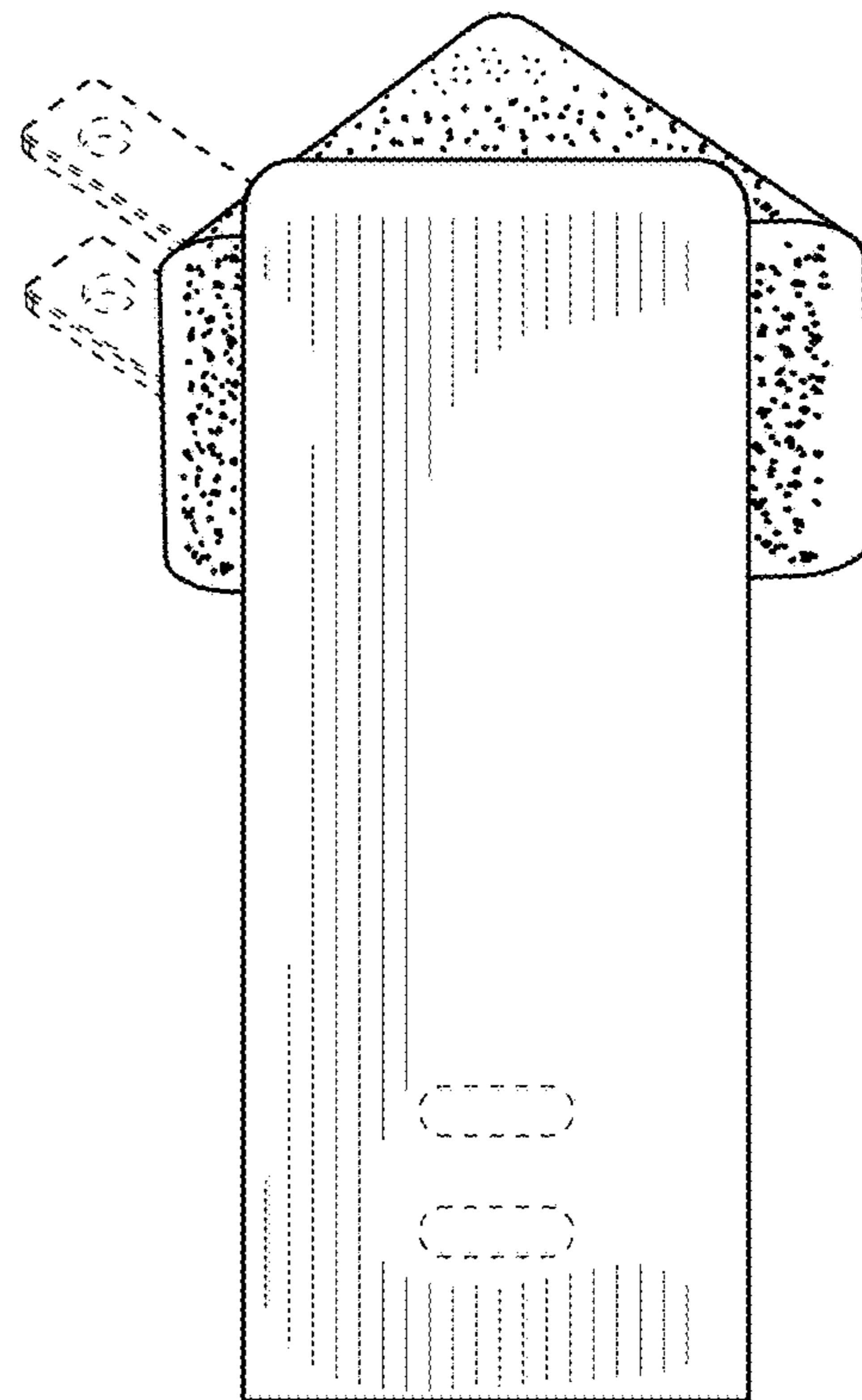


FIG. 10

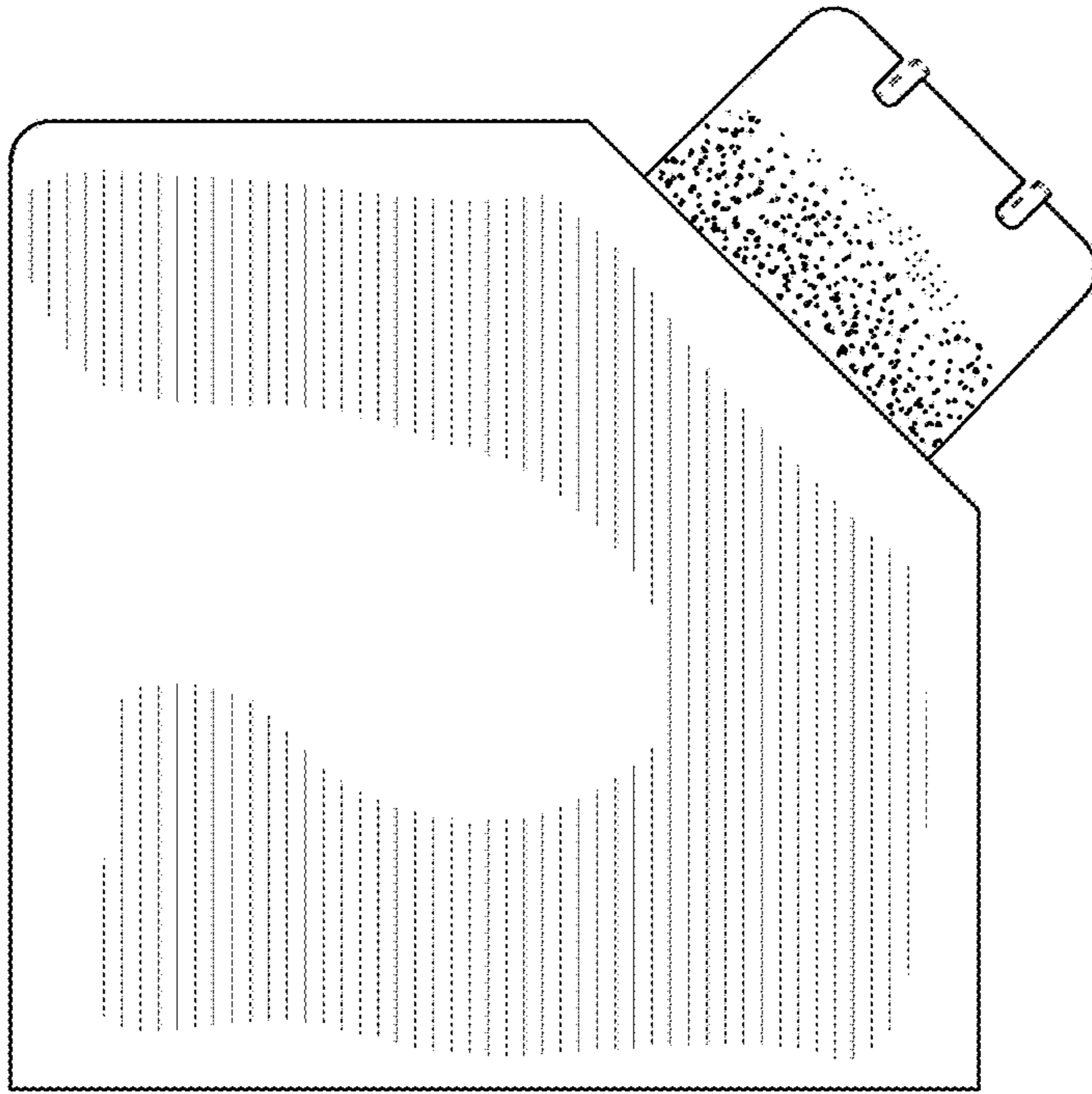


FIG. 11

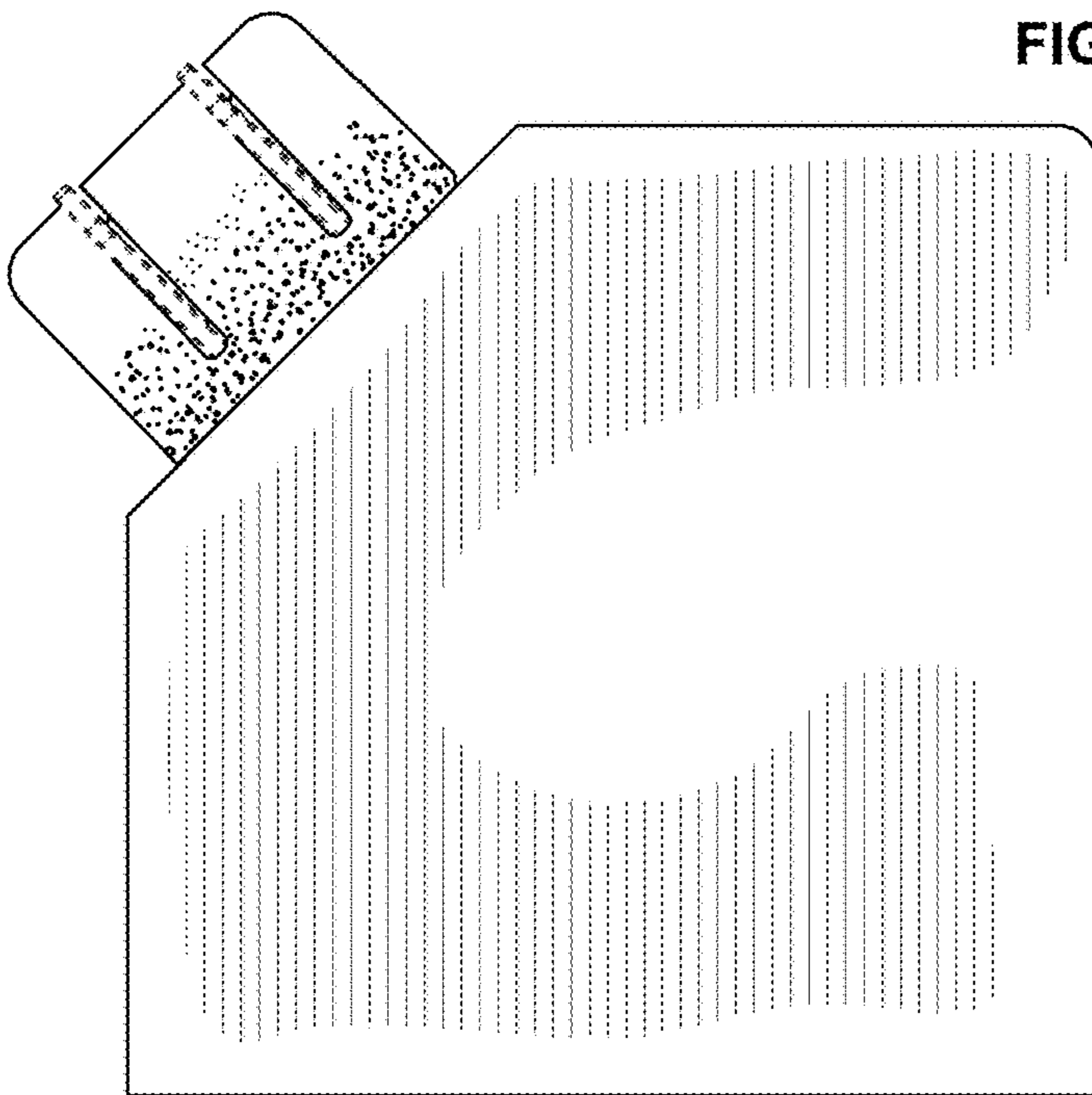


FIG. 12

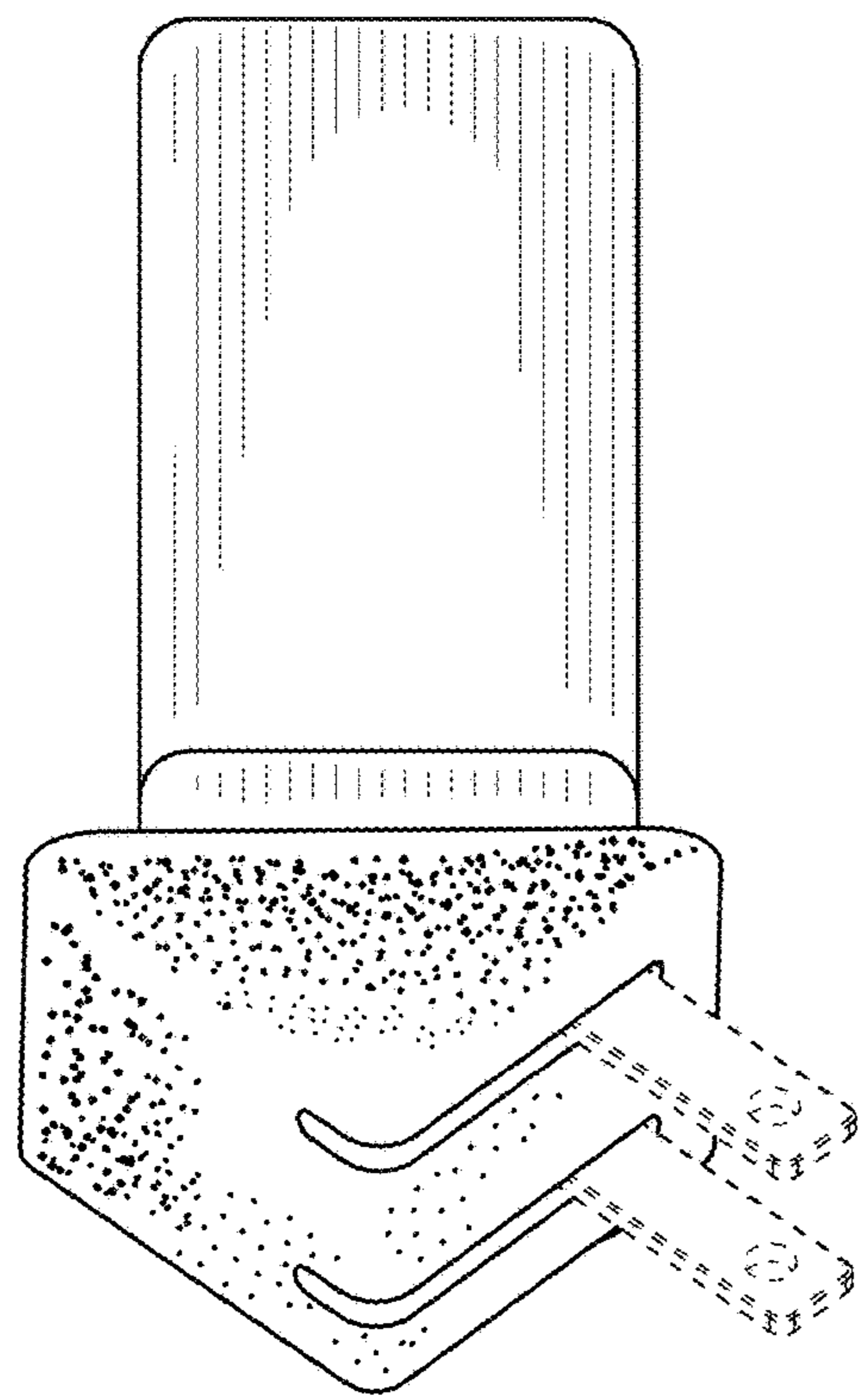


FIG. 13

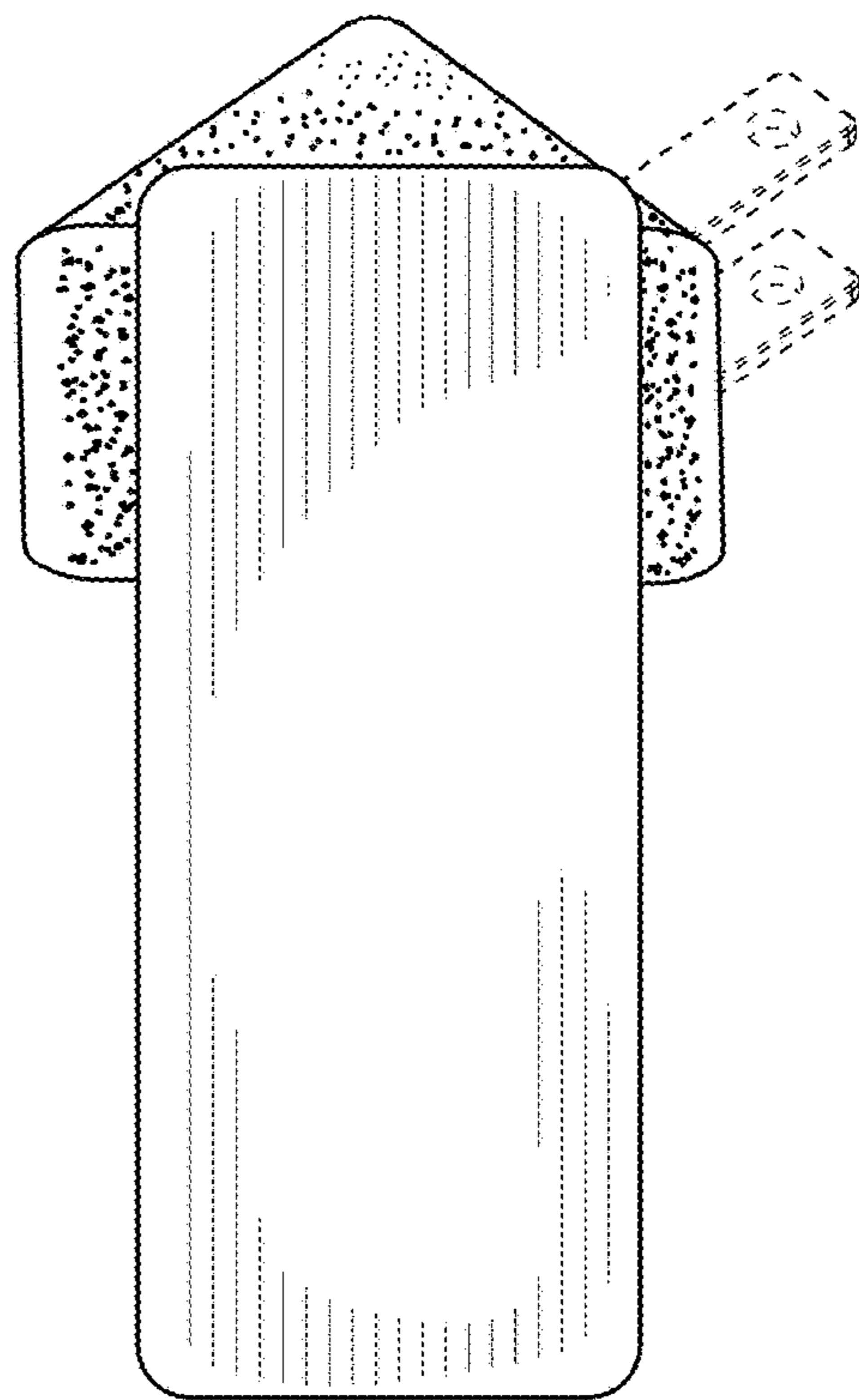


FIG. 14

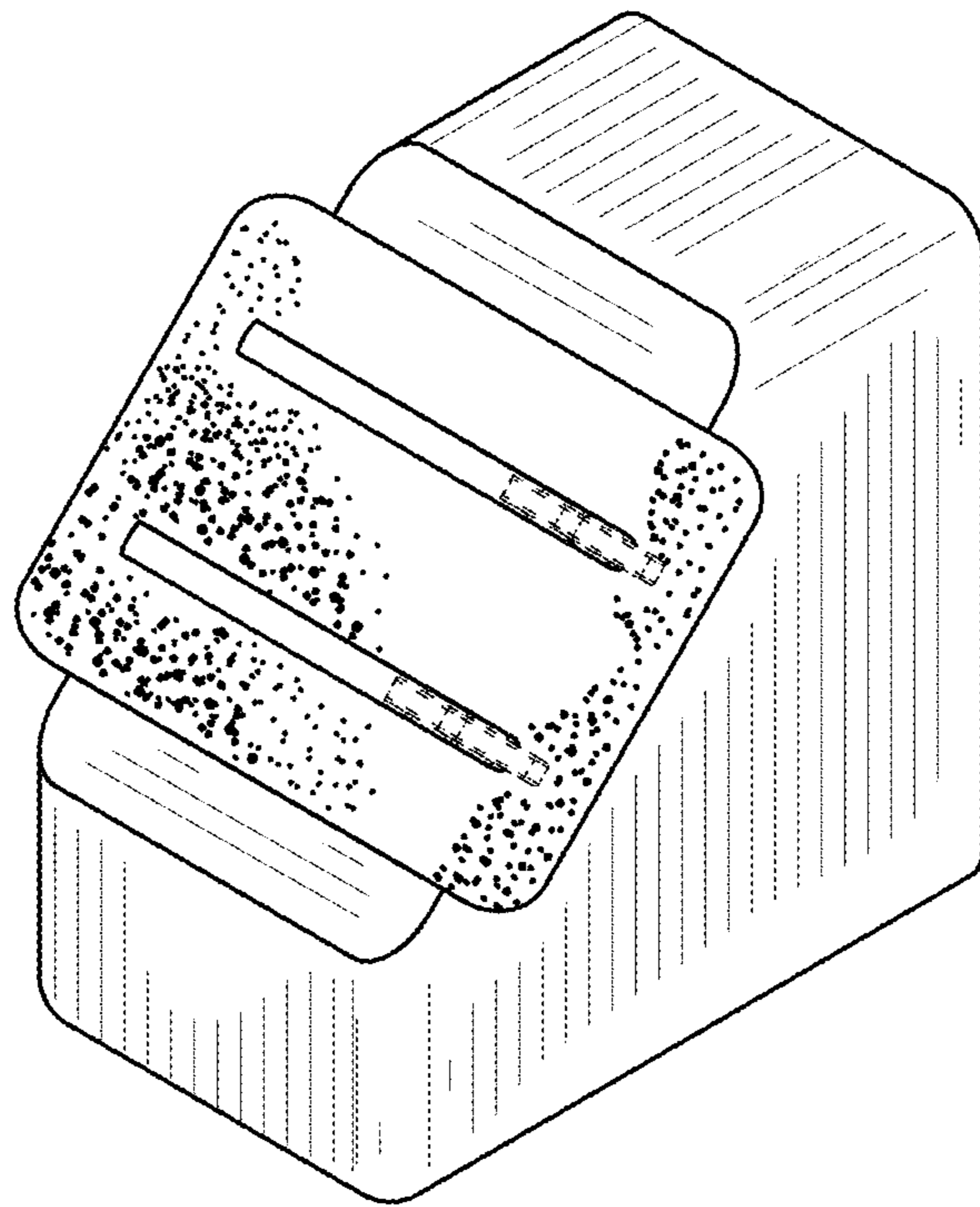


FIG. 15

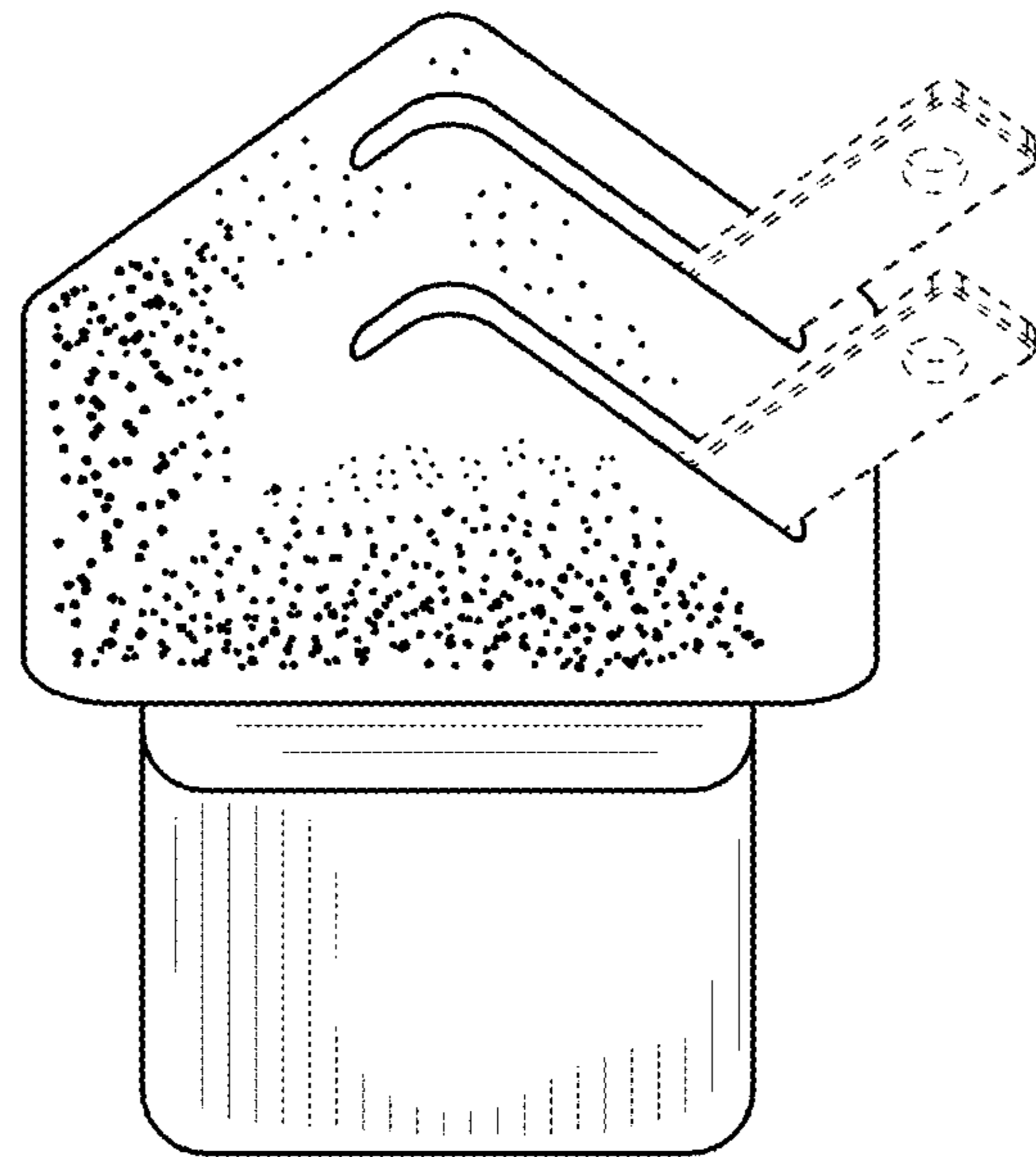


FIG. 16

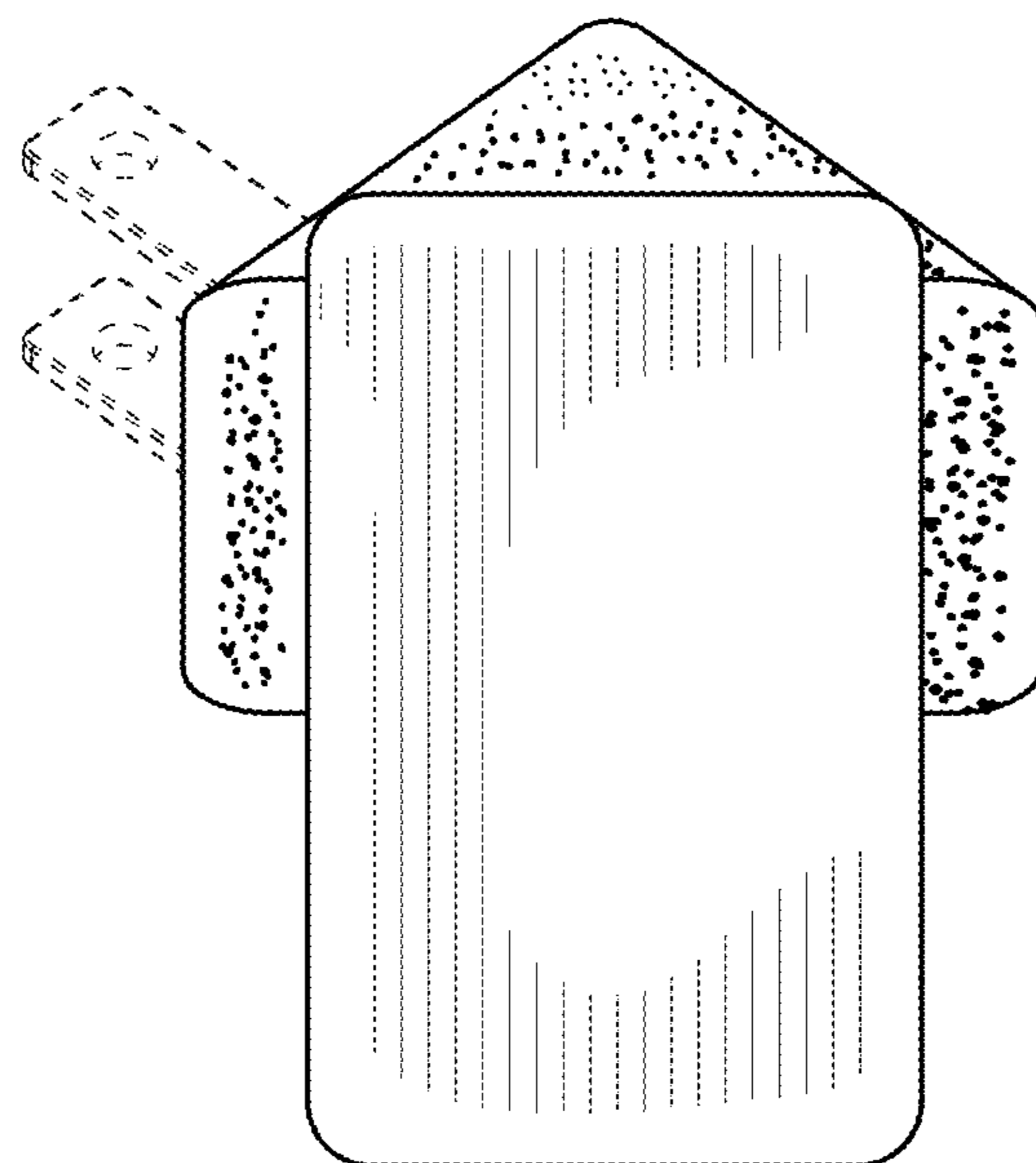


FIG. 17

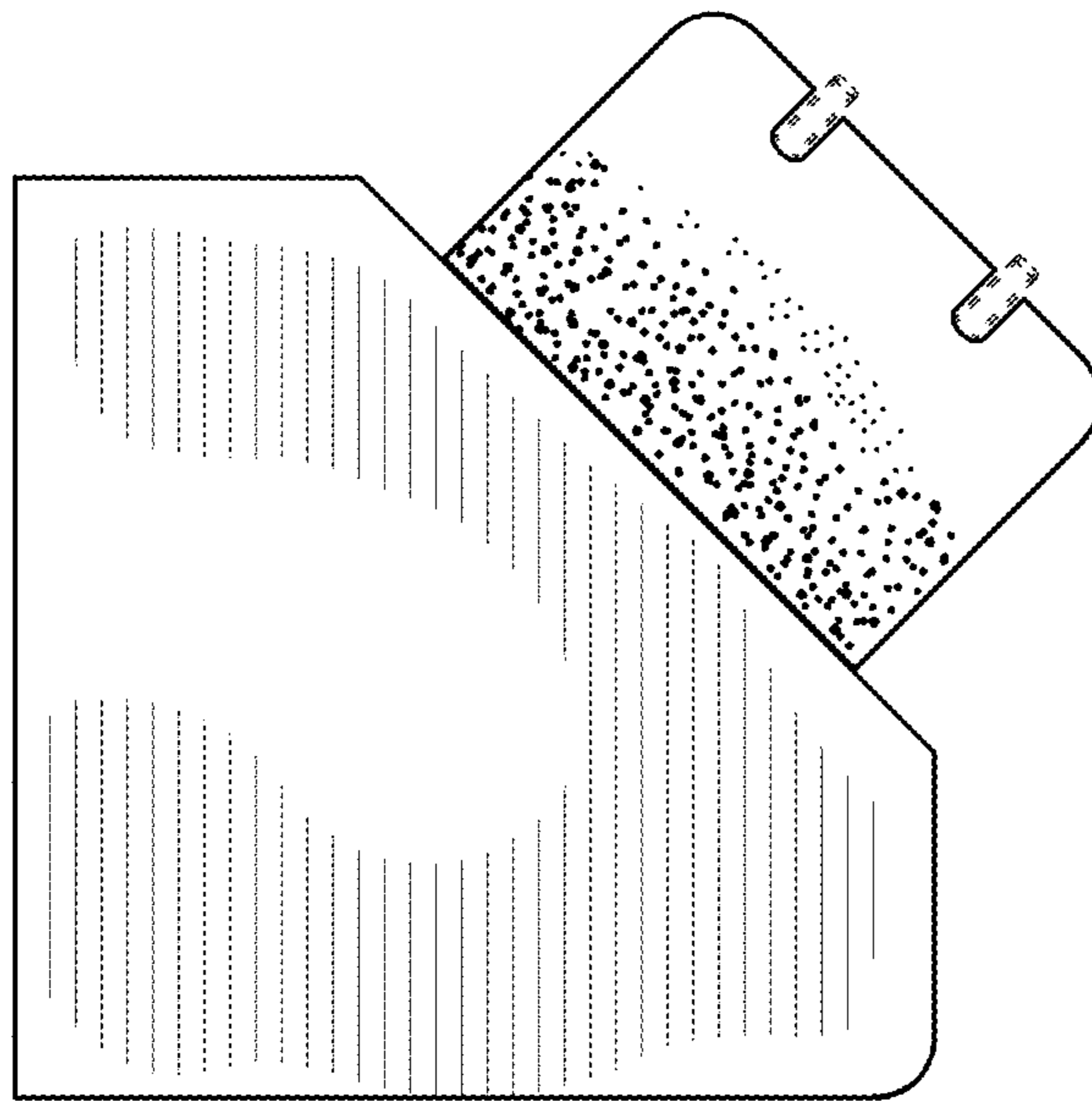


FIG. 18

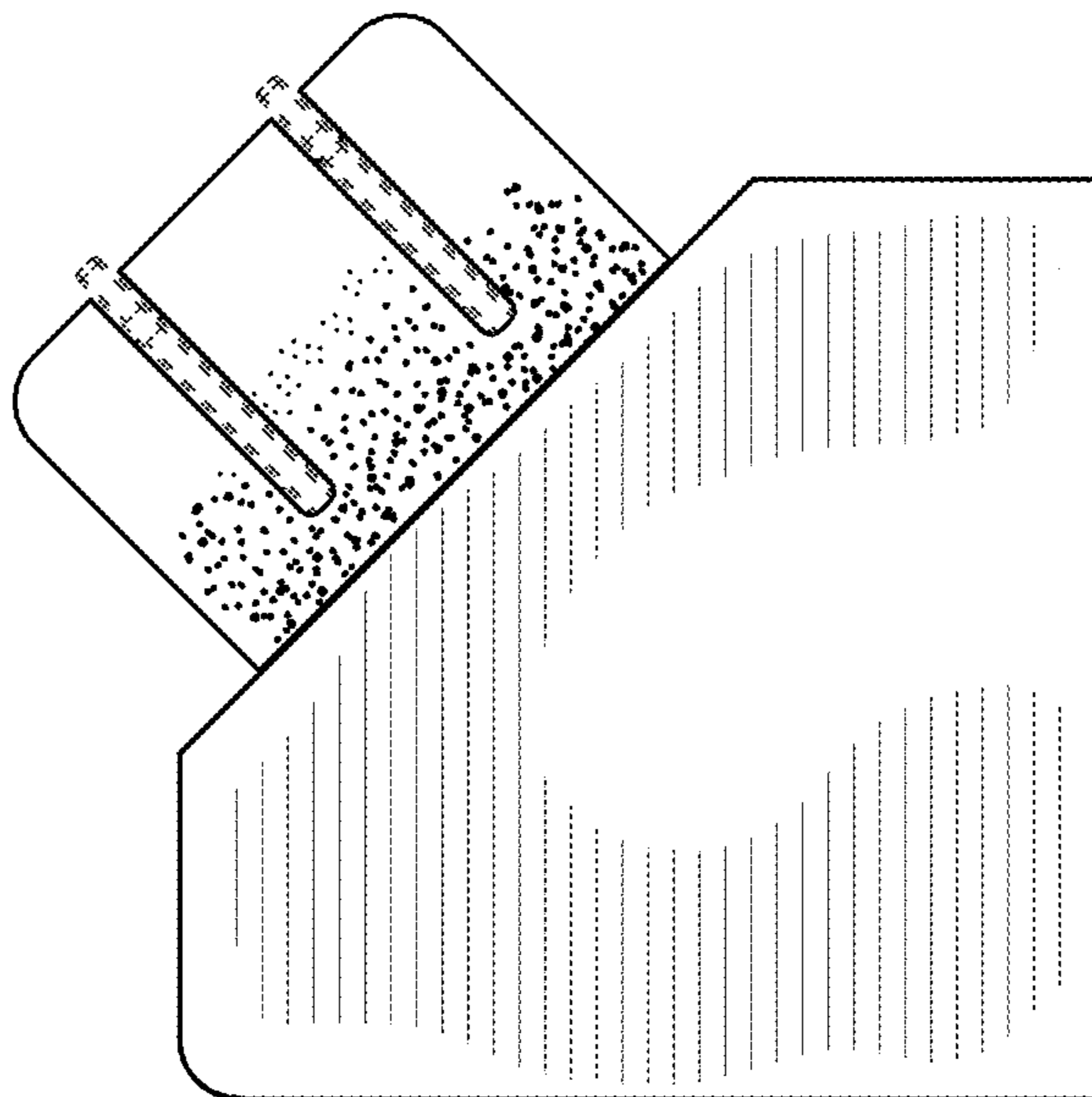


FIG. 19

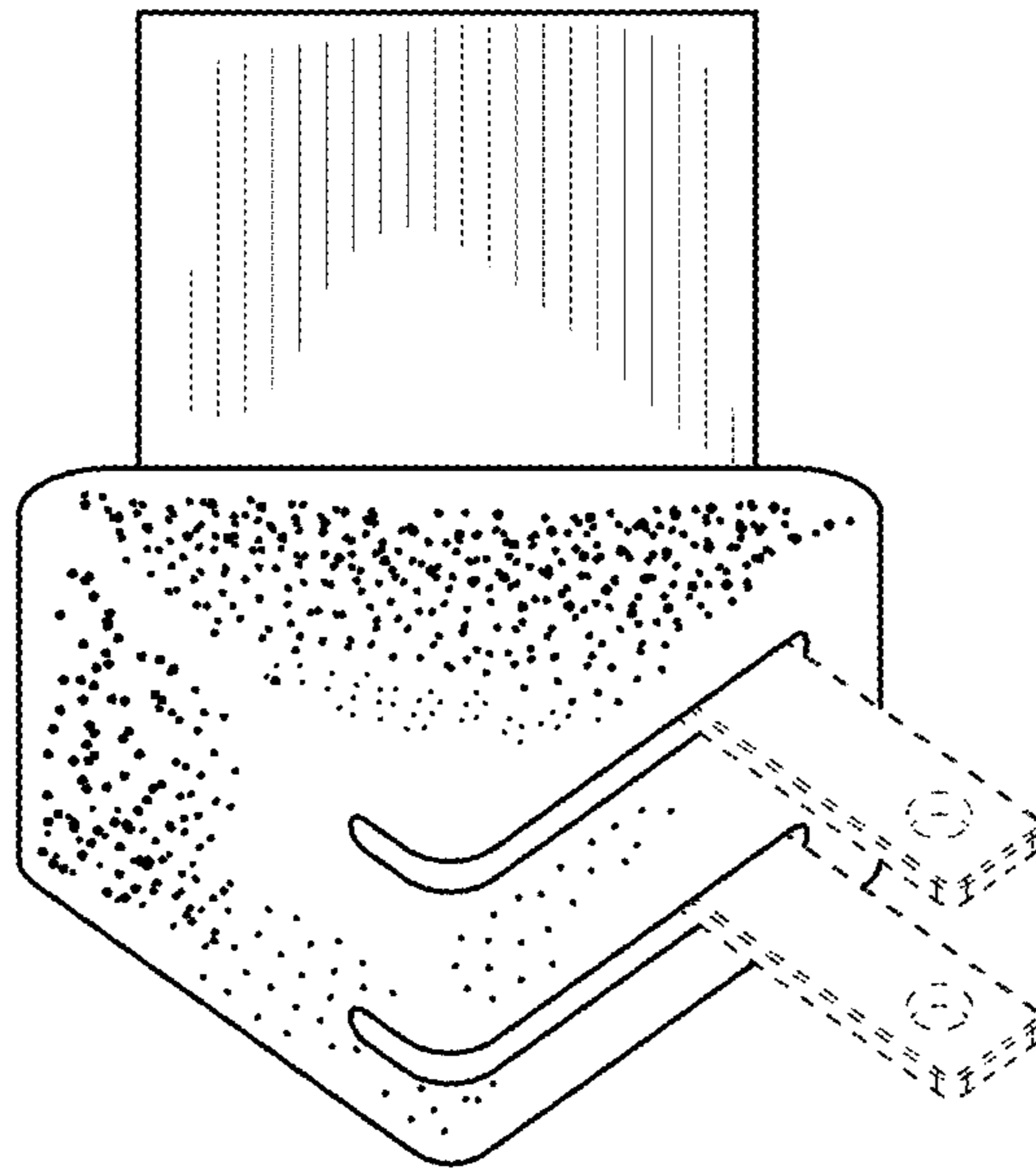


FIG. 20

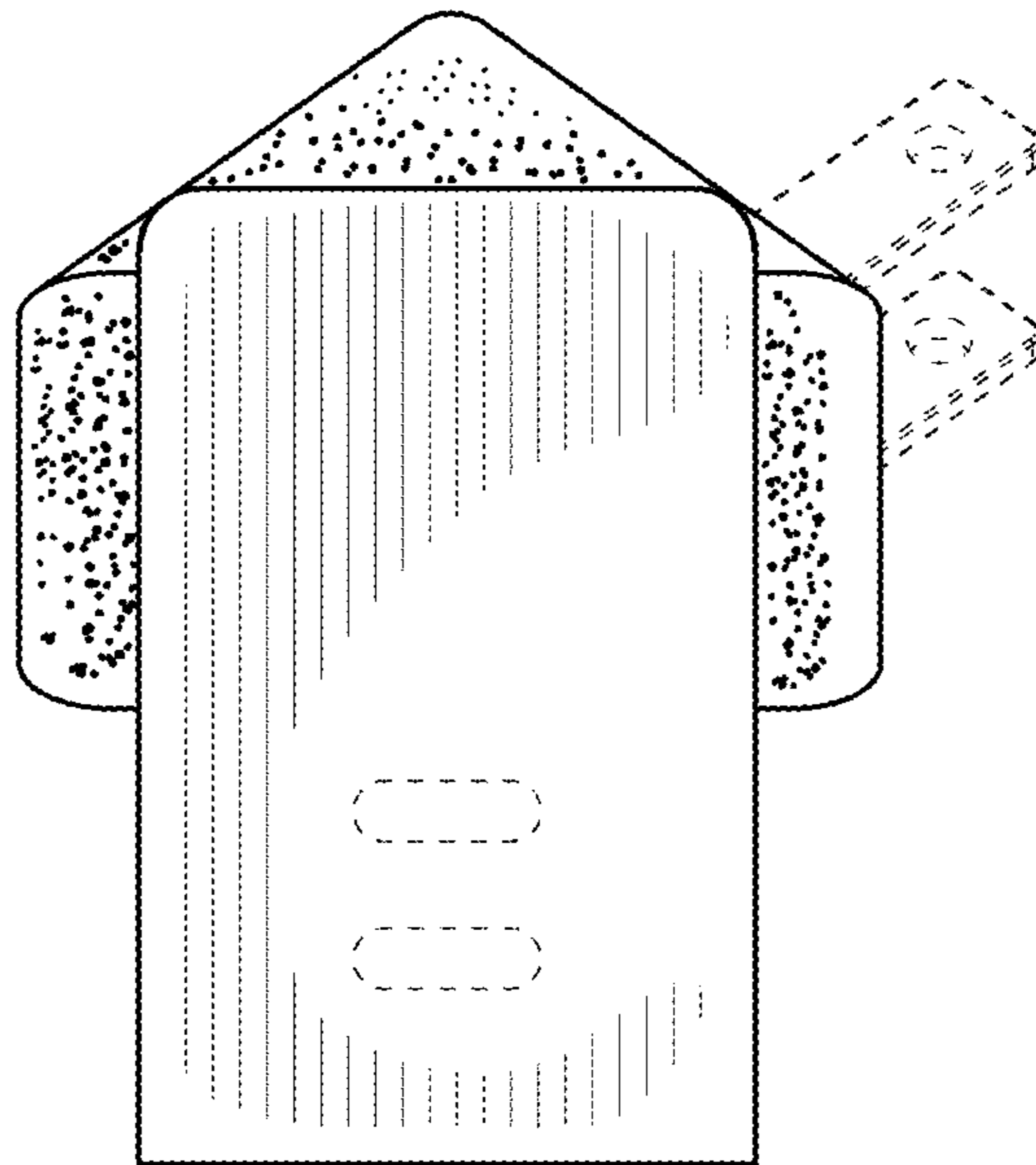


FIG. 21

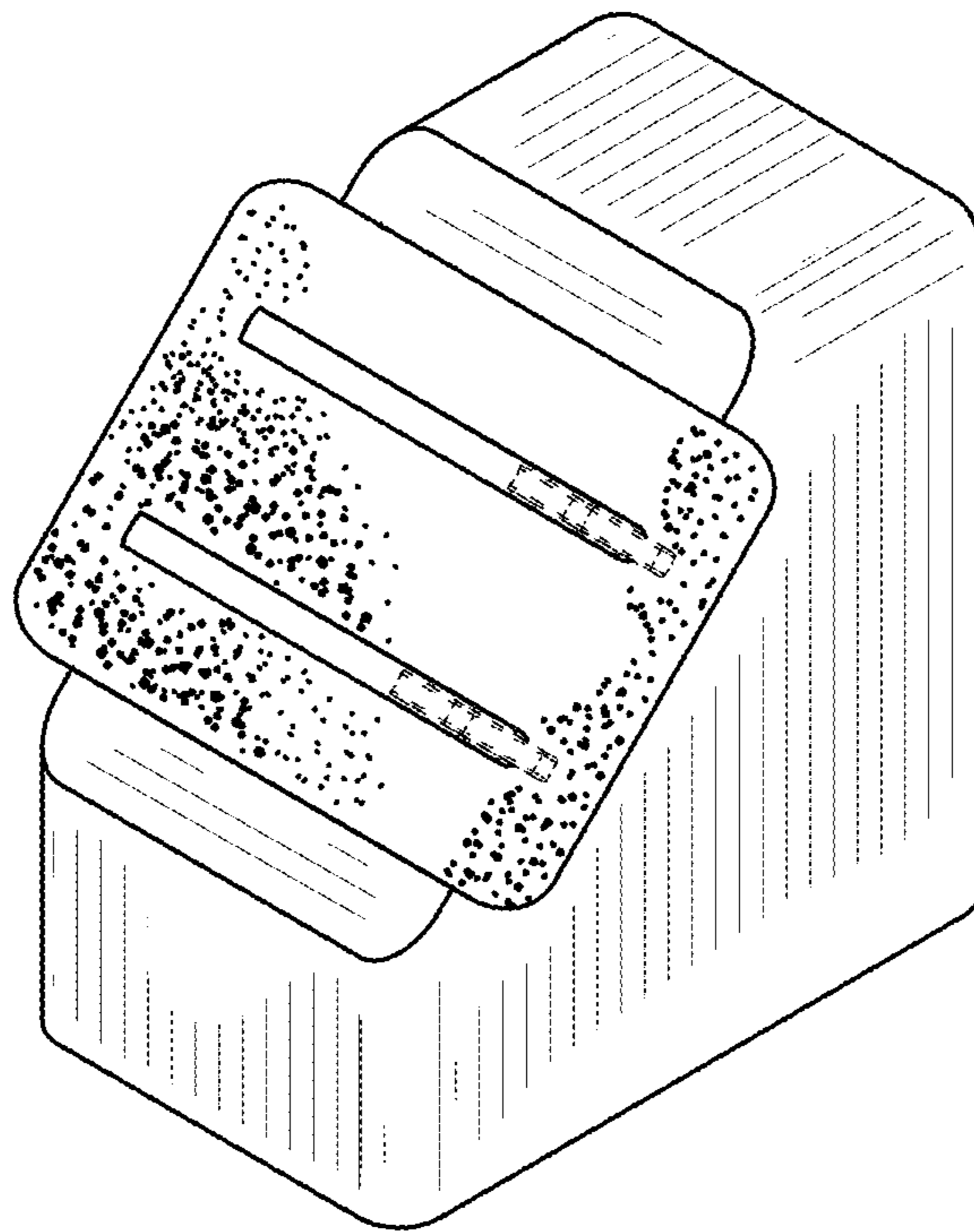


FIG. 22

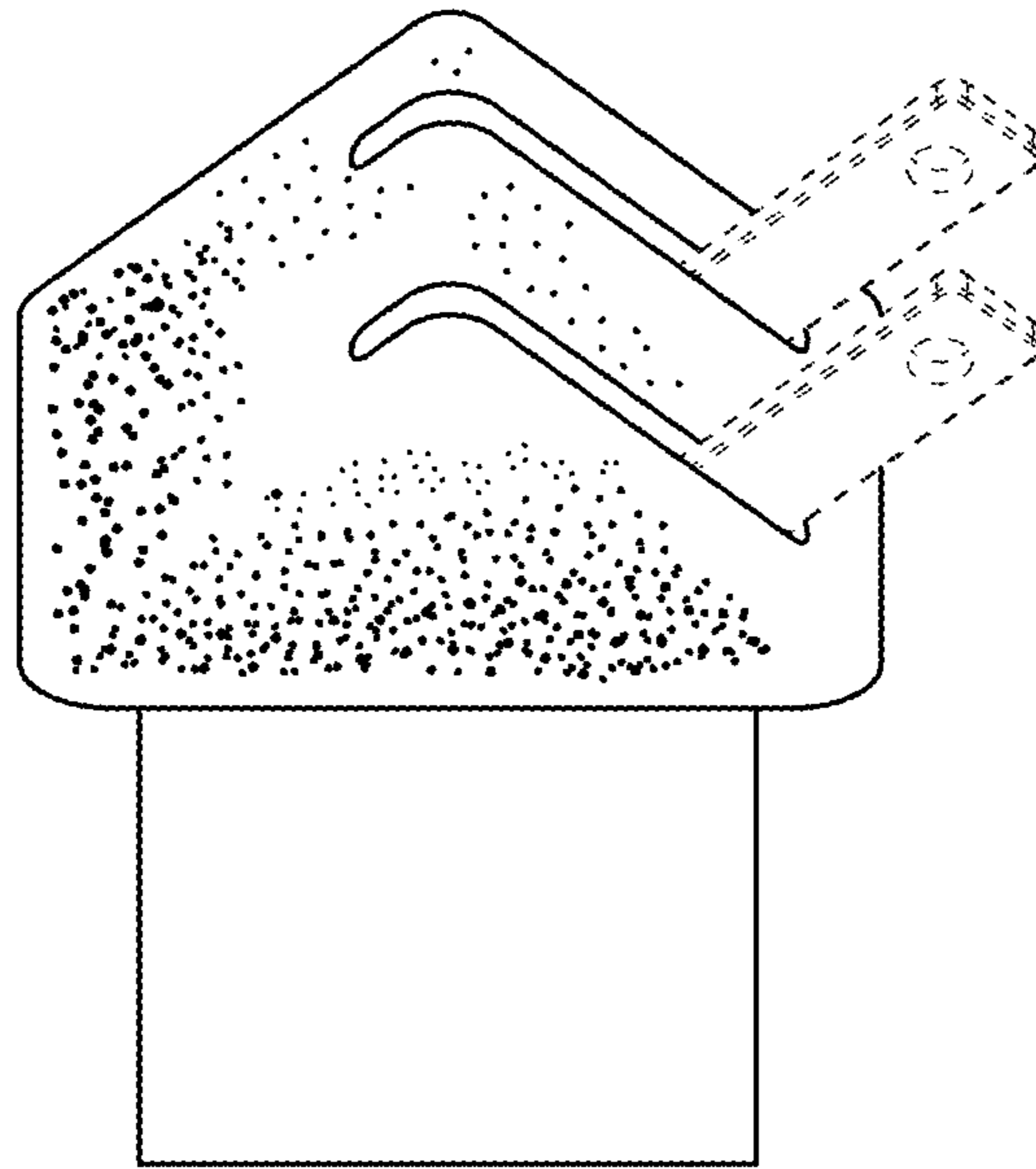


FIG. 23

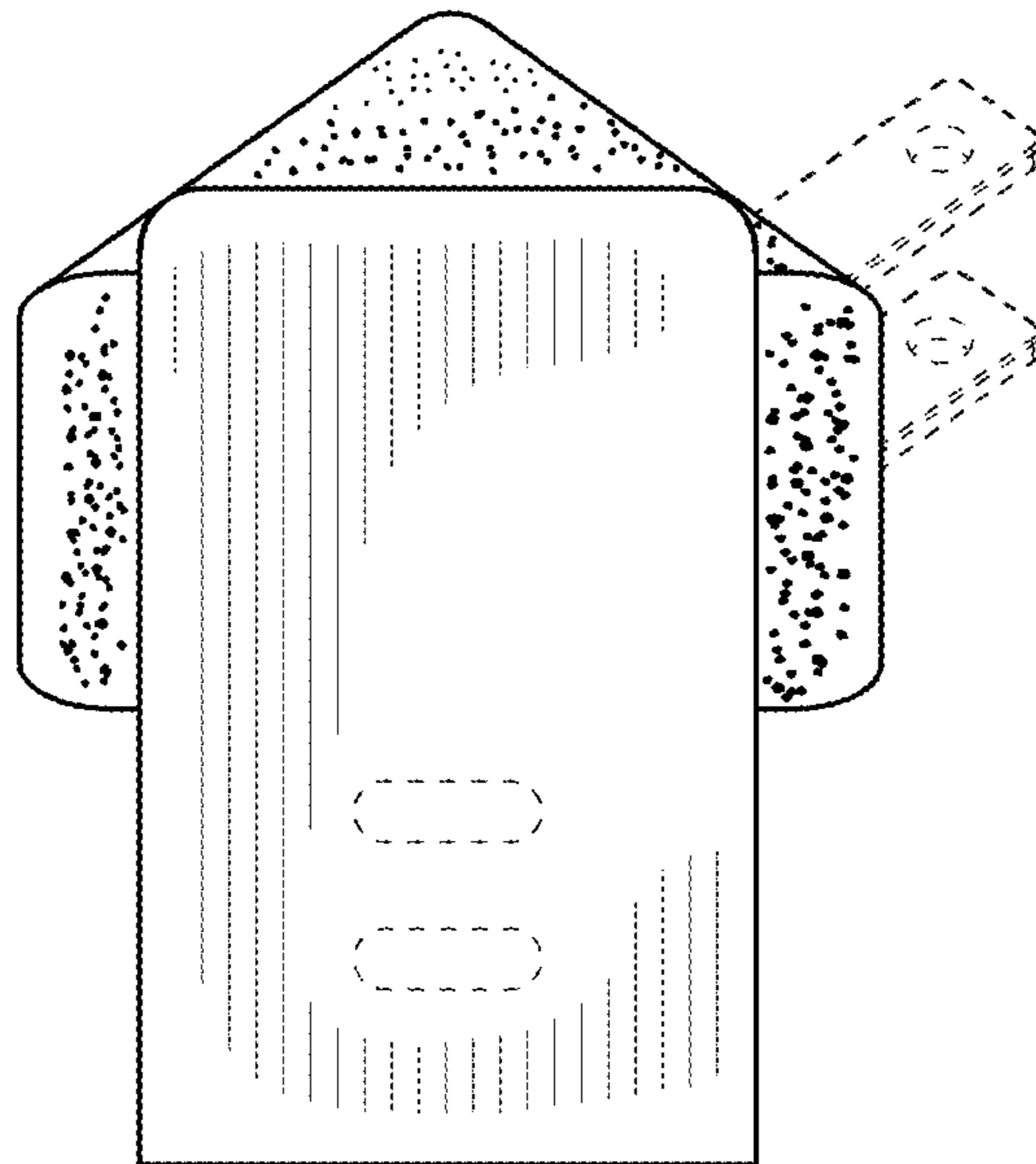


FIG. 24

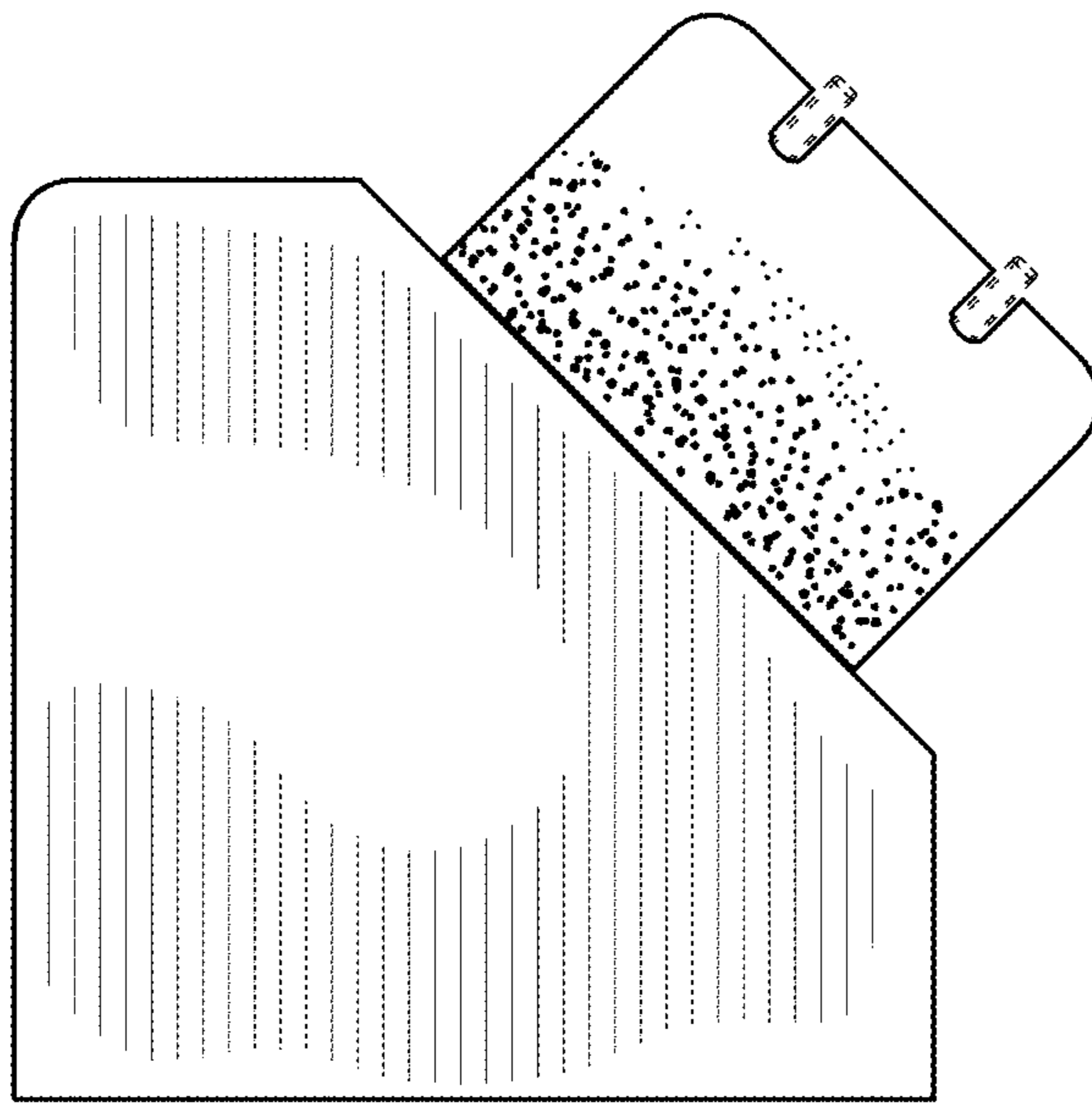


FIG. 25

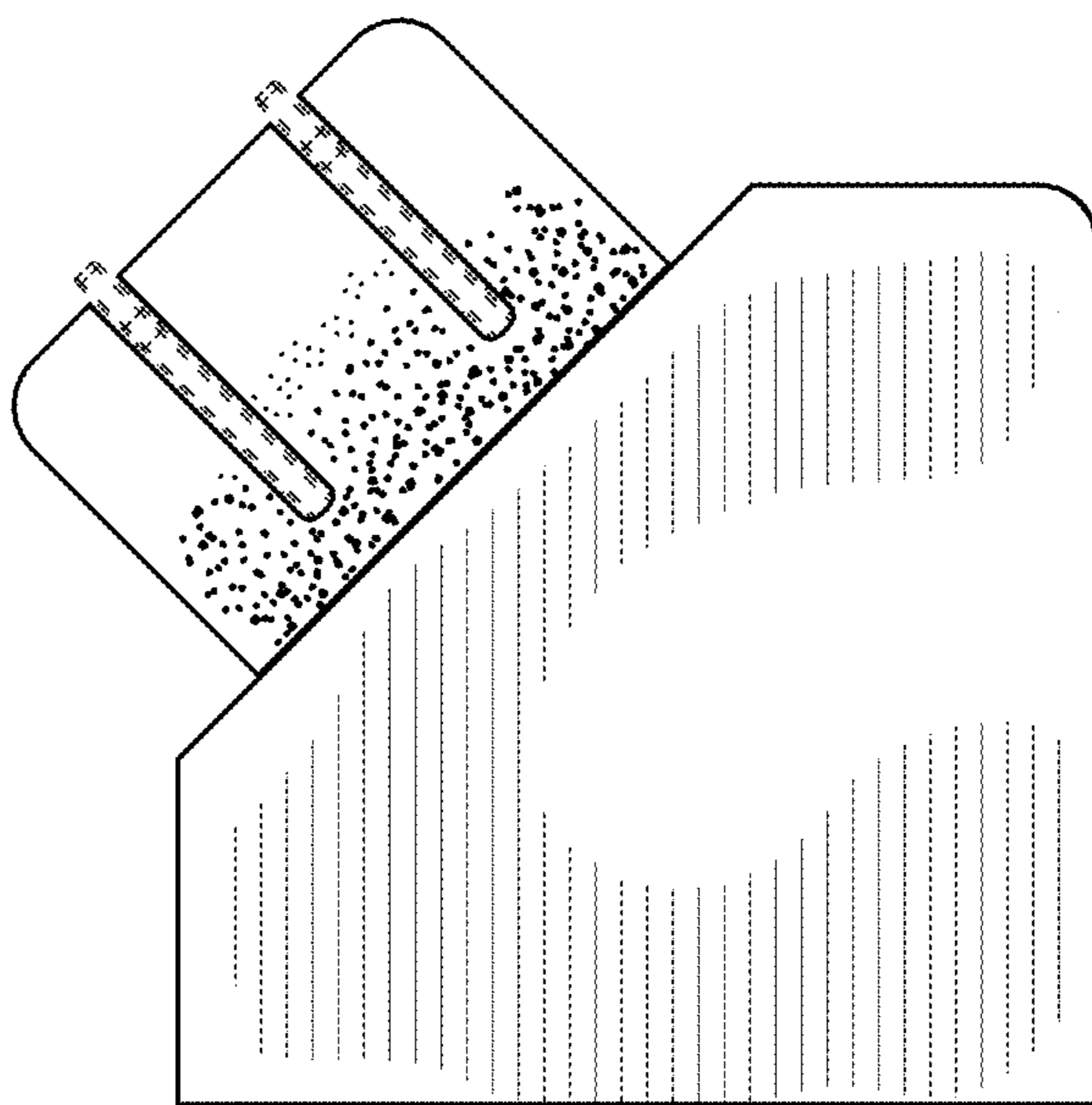


FIG. 26

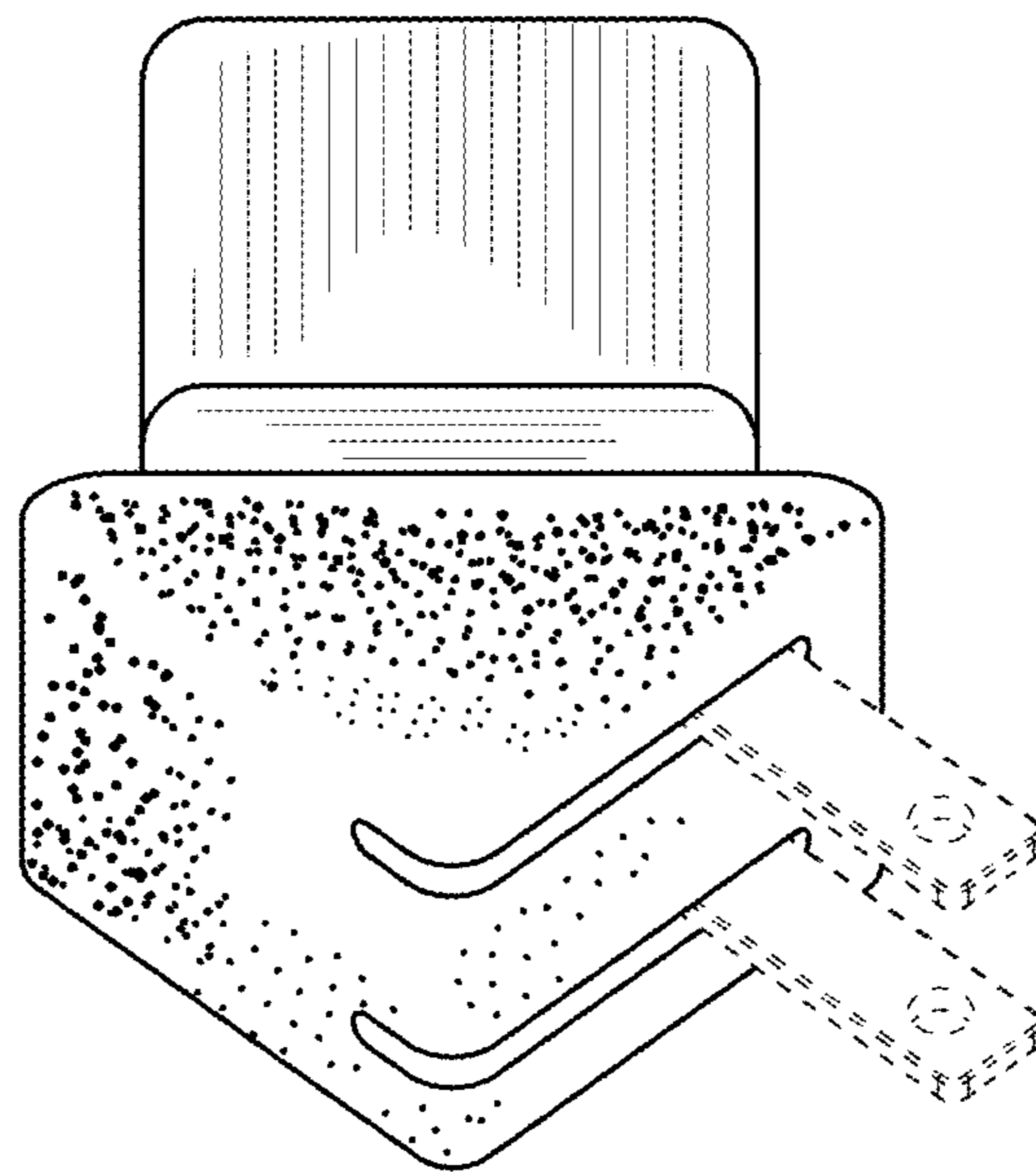


FIG. 27

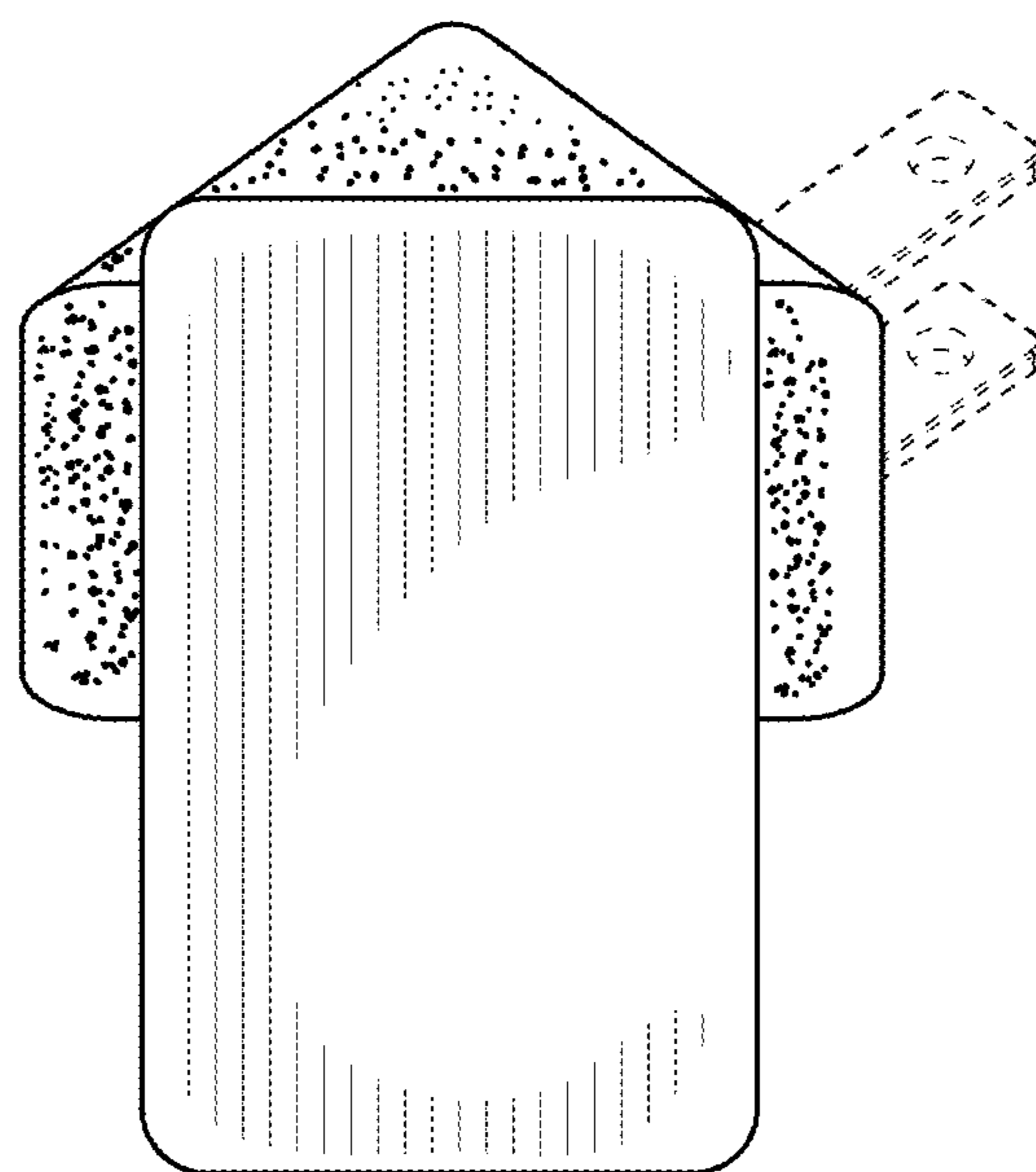


FIG. 28