



US00D811326S

(12) **United States Design Patent** (10) **Patent No.:** **US D811,326 S**
Woo (45) **Date of Patent:** **** Feb. 27, 2018**

(54) **WIRELESS CHARGER**
(71) Applicant: **Ricky Woo**, Shenzhen (CN)
(72) Inventor: **Ricky Woo**, Shenzhen (CN)
(**) Term: **15 Years**
(21) Appl. No.: **29/578,792**
(22) Filed: **Sep. 23, 2016**

9,306,406 B2 * 4/2016 Miklitsch H02J 7/0047
D755,792 S * 5/2016 Lessel D14/435
D762,571 S * 8/2016 Lee D13/108
D772,813 S * 11/2016 Wahl D13/108
D777,100 S * 1/2017 Price D13/103
D782,973 S * 4/2017 Zhou D13/108
D784,259 S * 4/2017 Huang D13/108
D792,220 S * 7/2017 Simons D7/396.2
2009/0102419 A1 * 4/2009 Gwon H01F 27/2871
320/108

(30) **Foreign Application Priority Data**

Jun. 6, 2016 (CN) 2016 3 0225511
(51) **LOC (11) Cl.** **13-02**
(52) **U.S. Cl.**
USPC **D13/108**
(58) **Field of Classification Search**
USPC D13/107-110, 118-119, 184; D14/252,
D14/253, 432, 434
CPC Y02E 60/12; Y02T 90/14; Y02T 90/122;
Y02T 90/128; Y02T 90/163; H02J 7/025;
H02J 7/0042; H02J 7/0044; H02J 7/0045;
H02J 7/0003; H01F 38/14; H01R
13/6675; H01M 2/1022; H01M 2/1055;
H01M 10/44; H01M 10/46; H01M
10/425; B60L 11/182
See application file for complete search history.

(56) **References Cited**

U.S. PATENT DOCUMENTS
D618,121 S * 6/2010 Penix D10/106.9
D627,306 S * 11/2010 Charleux D13/168
D725,088 S * 3/2015 Kwak D14/240
D749,504 S * 2/2016 Jeong D13/108

OTHER PUBLICATIONS

UGPine Wireless Charger, amazon.com, review posted on Sep. 18, 2016, retrieved on Aug. 22, 2017, retrieved from the Internet URL: <https://www.amazon.com/Wireless%ADCharger%ADUGpine%ADCharging%ADSamsung/dp/B01JRFJZI>.*

* cited by examiner

Primary Examiner — Rosemary K Tarcza
Assistant Examiner — Alison M Ofstun

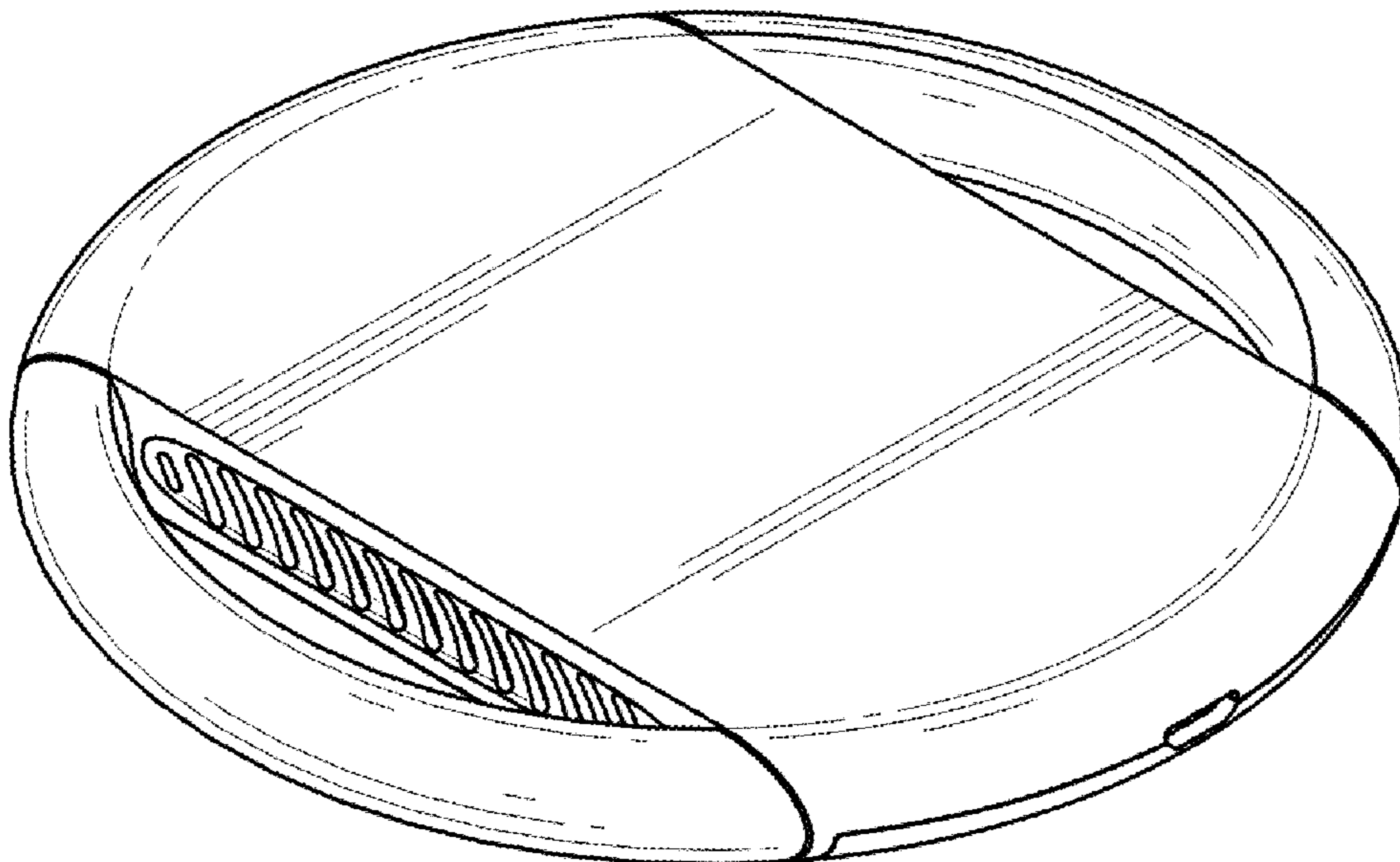
(57) **CLAIM**

The ornamental design for a wireless charger, as shown and described.

DESCRIPTION

FIG. 1 is a front perspective view of a wireless charger showing my new design;
FIG. 2 is a rear perspective view thereof;
FIG. 3 is a front elevational view thereof;
FIG. 4 is a rear elevational view thereof;
FIG. 5 is a left side elevational view thereof;
FIG. 6 is a right side elevational view thereof;
FIG. 7 is a top plan view thereof; and,
FIG. 8 is a bottom plan view thereof.

1 Claim, 8 Drawing Sheets



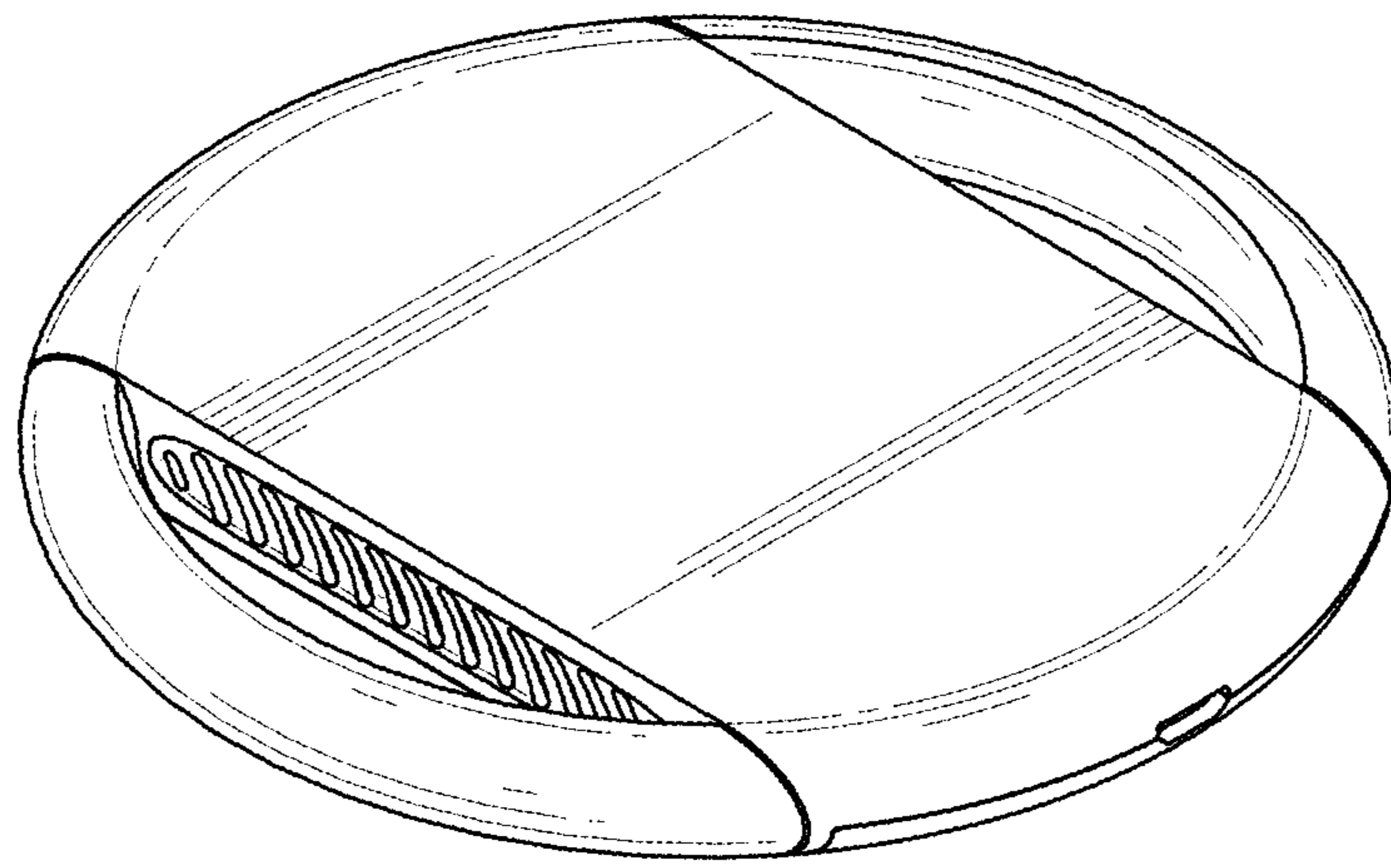


FIG. 1

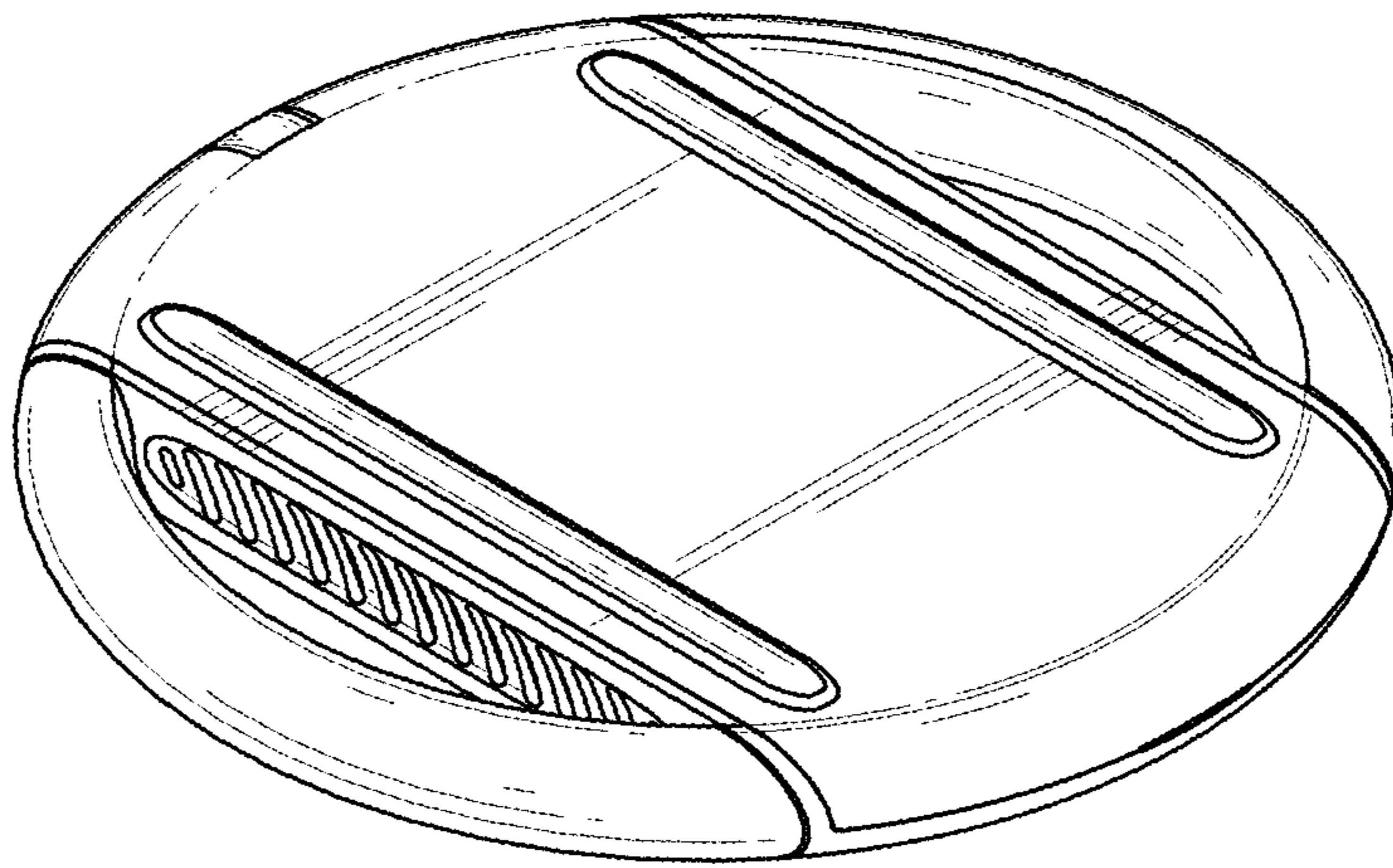


FIG. 2

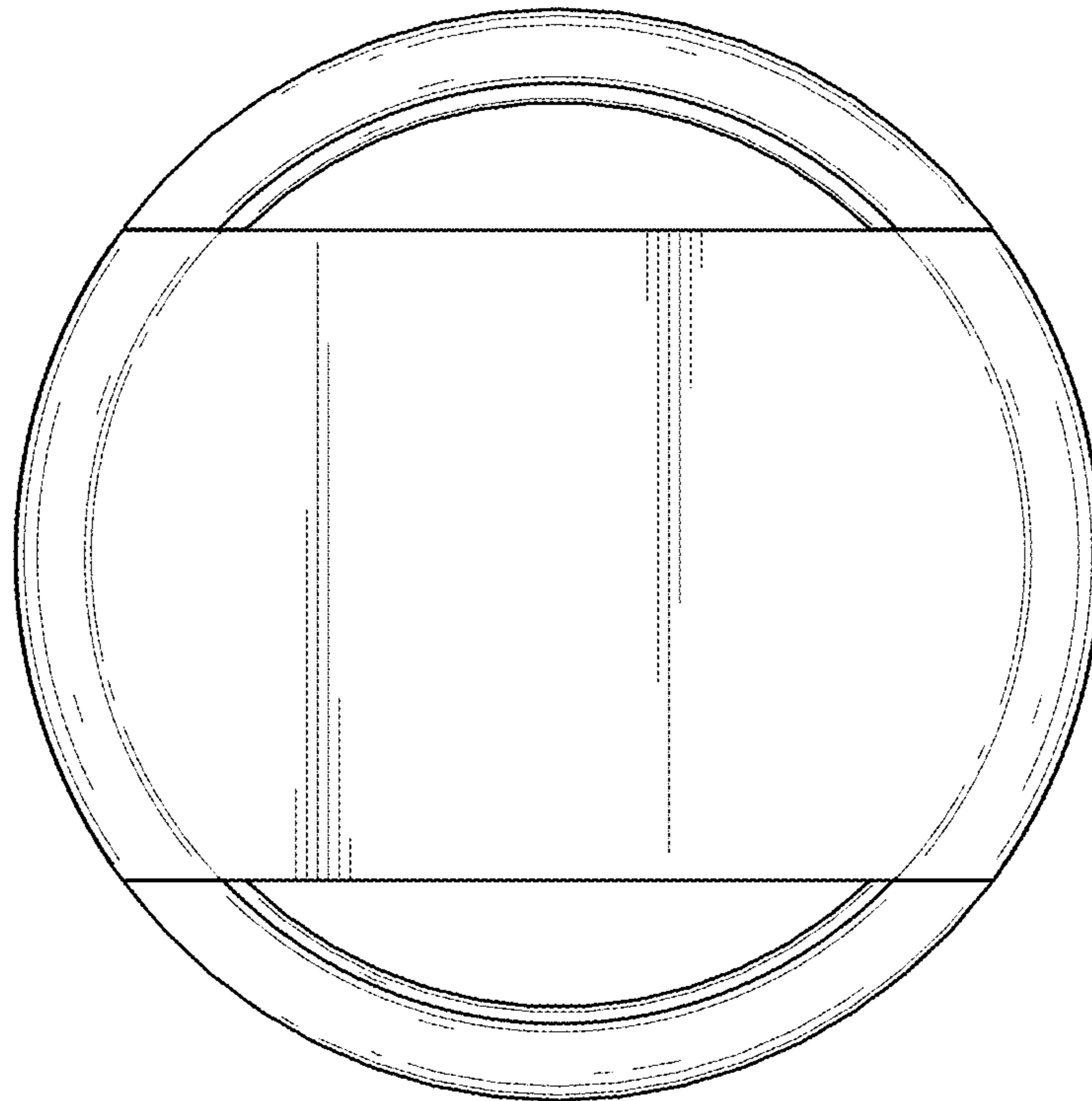


FIG. 3

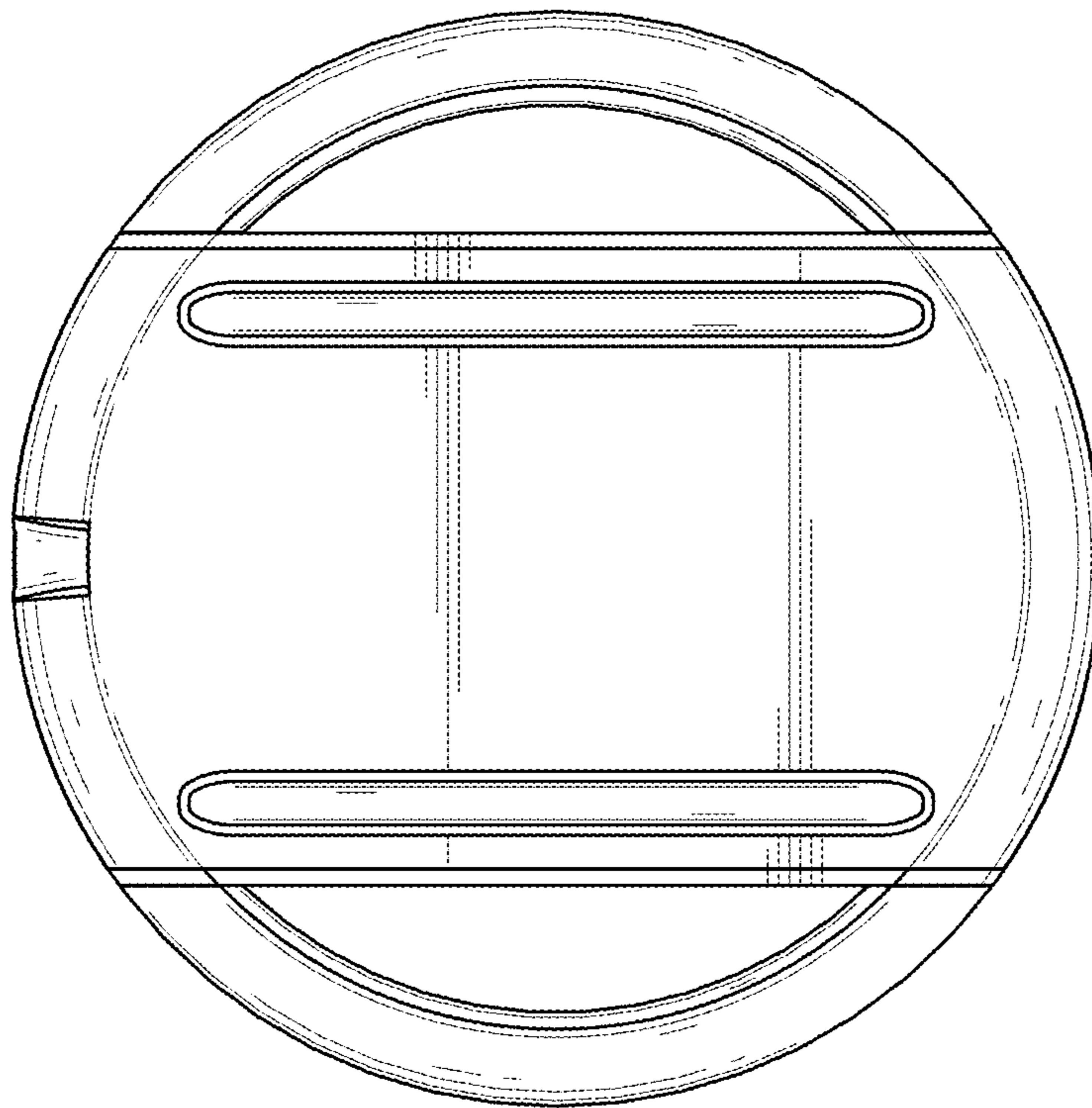


FIG. 4

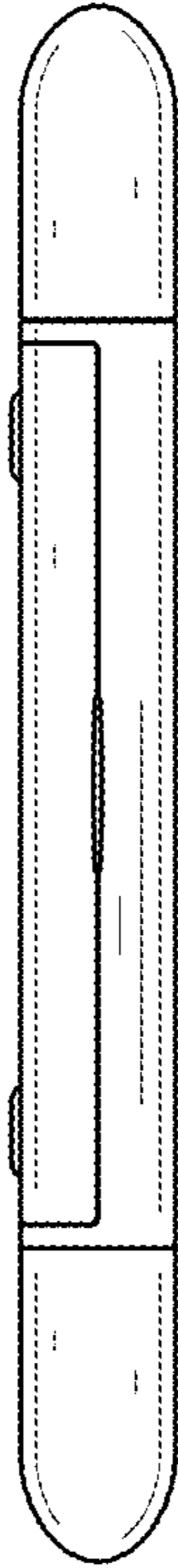


FIG. 5

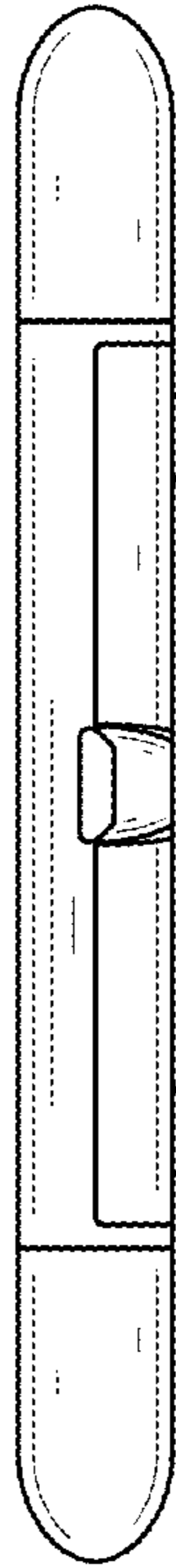


FIG. 6

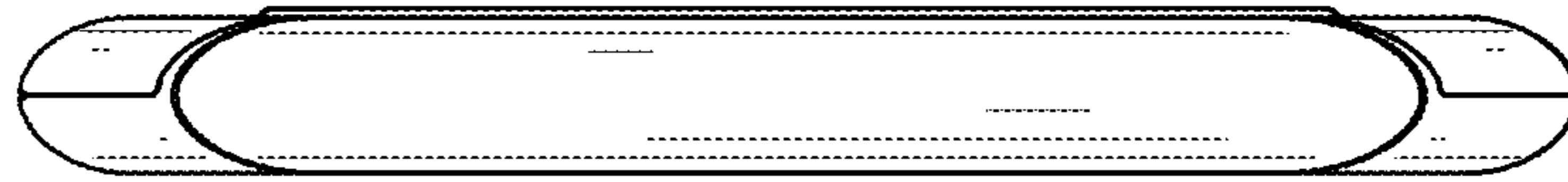


FIG. 7

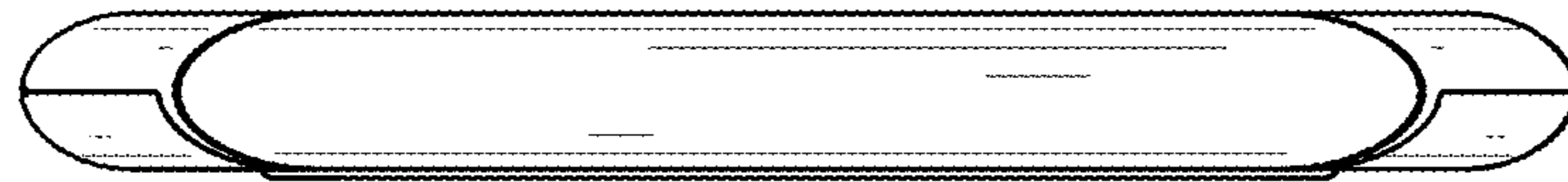


FIG. 8