

US00D811325S

(12) **United States Design Patent** (10) **Patent No.:** **US D811,325 S**  
**Inskeep** (45) **Date of Patent:** **\*\* Feb. 27, 2018**

(54) **BATTERY CHARGER**

(71) Applicant: **Mathew Inskeep**, Highland Beach, FL  
(US)

(72) Inventor: **Mathew Inskeep**, Highland Beach, FL  
(US)

(\*\*) Term: **15 Years**

(21) Appl. No.: **29/583,634**

(22) Filed: **Nov. 8, 2016**

(51) **LOC (11) Cl.** ..... **13-02**

(52) **U.S. Cl.**  
USPC ..... **D13/107; D15/9**

(58) **Field of Classification Search**  
USPC ..... D13/102-108, 110, 118-119, 184, 199;  
D14/251, 253, 432, 434; D15/9  
CPC ..... Y02E 60/12; Y02E 60/122; Y02E 60/124;  
Y02E 60/50; H01M 2/02; H01M 2/022;  
H01M 2/0202; H01M 2/0207; H01M  
2/0212; H01M 2/1061; H01M 2/1022;  
H01M 2/1055; H01M 2/1066; H01M  
2/105; H01M 2/204; H01M 10/4257;  
H01M 10/0436; H01M 10/48; H02J  
7/0034; H02J 7/0054; H02J 7/1423; H02J  
2001/006

See application file for complete search history.

(56) **References Cited**

**U.S. PATENT DOCUMENTS**

D601,495 S \* 10/2009 Shum ..... D13/107  
D609,633 S \* 2/2010 Daniels ..... D13/107

D653,204 S \* 1/2012 Whiting ..... D13/107  
D664,090 S \* 7/2012 Inskeep ..... D13/107  
D734,719 S \* 7/2015 Johnson ..... D13/109  
D742,308 S \* 11/2015 James ..... D13/107  
D754,755 S \* 4/2016 Suthmann ..... D15/9  
D802,530 S \* 11/2017 Adams ..... D13/109  
2009/0322100 A1\* 12/2009 Hiranuma ..... F02B 63/04  
290/1 R  
2017/0117726 A1\* 4/2017 Jore ..... H02J 7/0027

\* cited by examiner

*Primary Examiner* — Robert M. Spear  
*Assistant Examiner* — Alison M Ofstun

(57) **CLAIM**

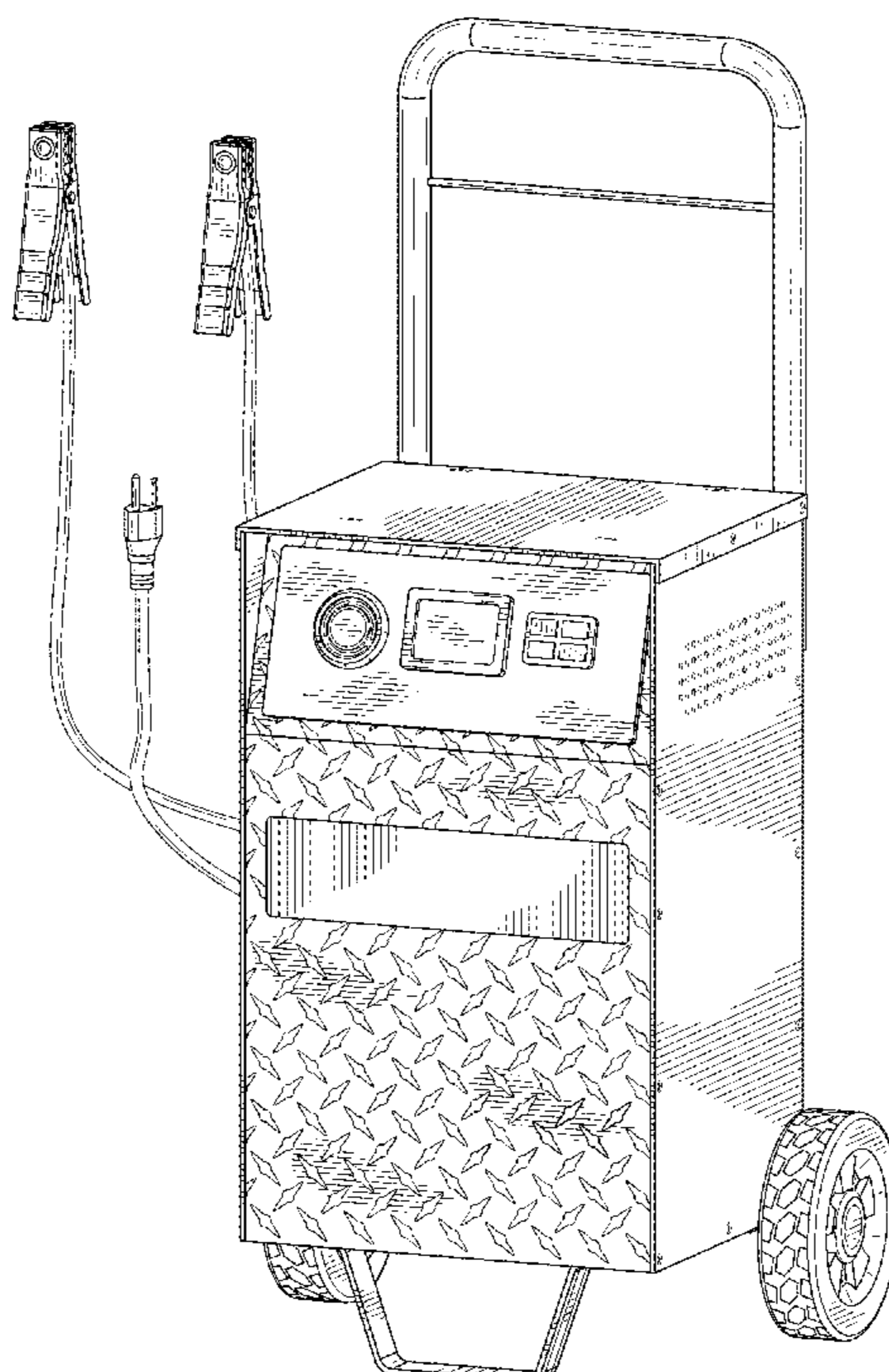
I claim the ornamental design for a battery charger, as shown and described.

**DESCRIPTION**

FIG. 1 is a perspective view of the battery charger showing my new design.  
FIG. 2 is a front facing bottom perspective view thereof.  
FIG. 3 is a back facing bottom perspective view thereof.  
FIG. 4 is a back view thereof.  
FIG. 5 is a top view thereof.  
FIG. 6 is a bottom view thereof.  
FIG. 7 is a left side view thereon.  
FIG. 8 is a right side view thereof.  
FIG. 9 is a front view thereof; and,  
FIG. 10 is back view thereof.

In the drawings, the broken lines illustrate environmental subject matter and form no part of the claimed design.

**1 Claim, 10 Drawing Sheets**



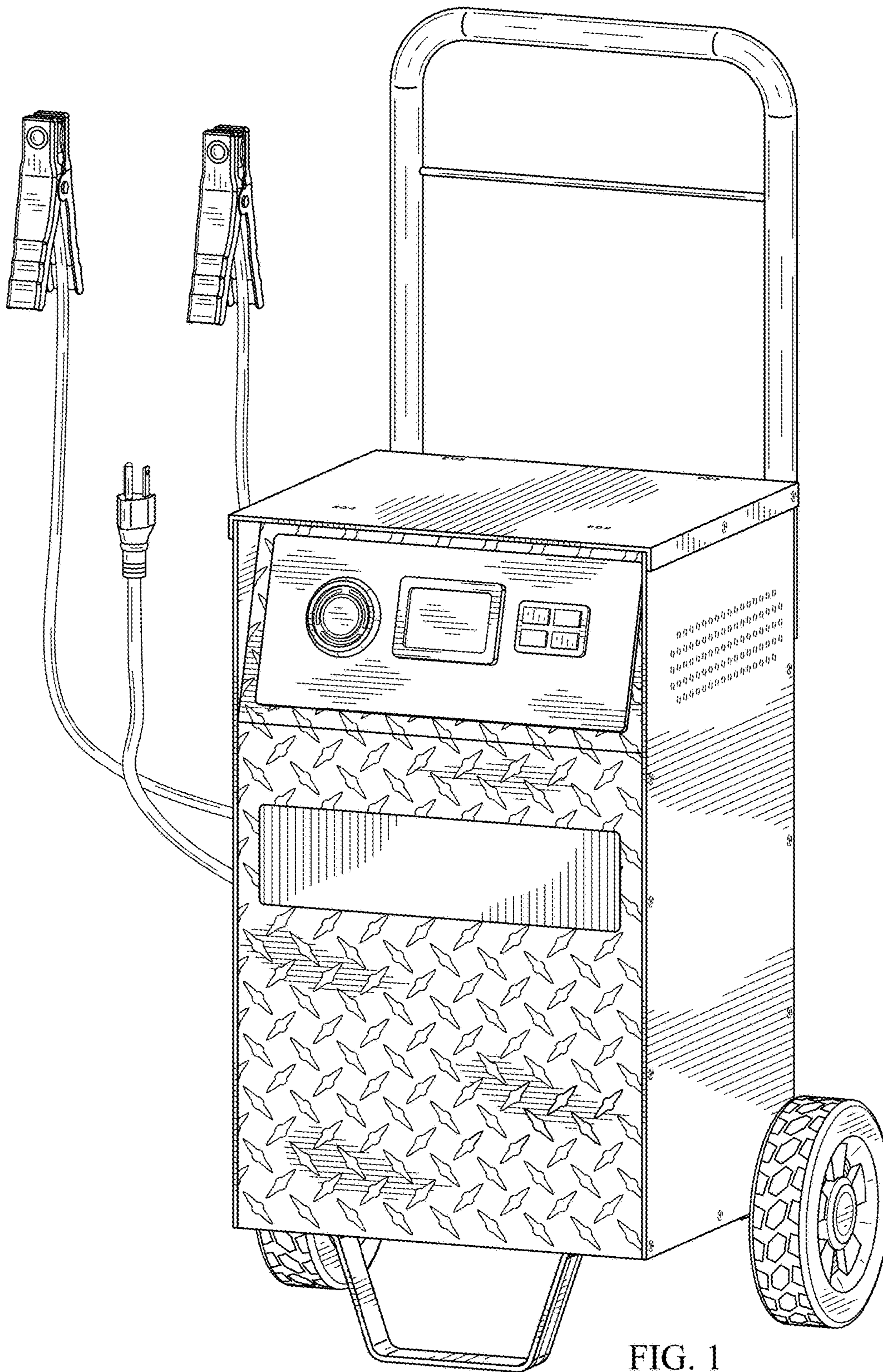


FIG. 1

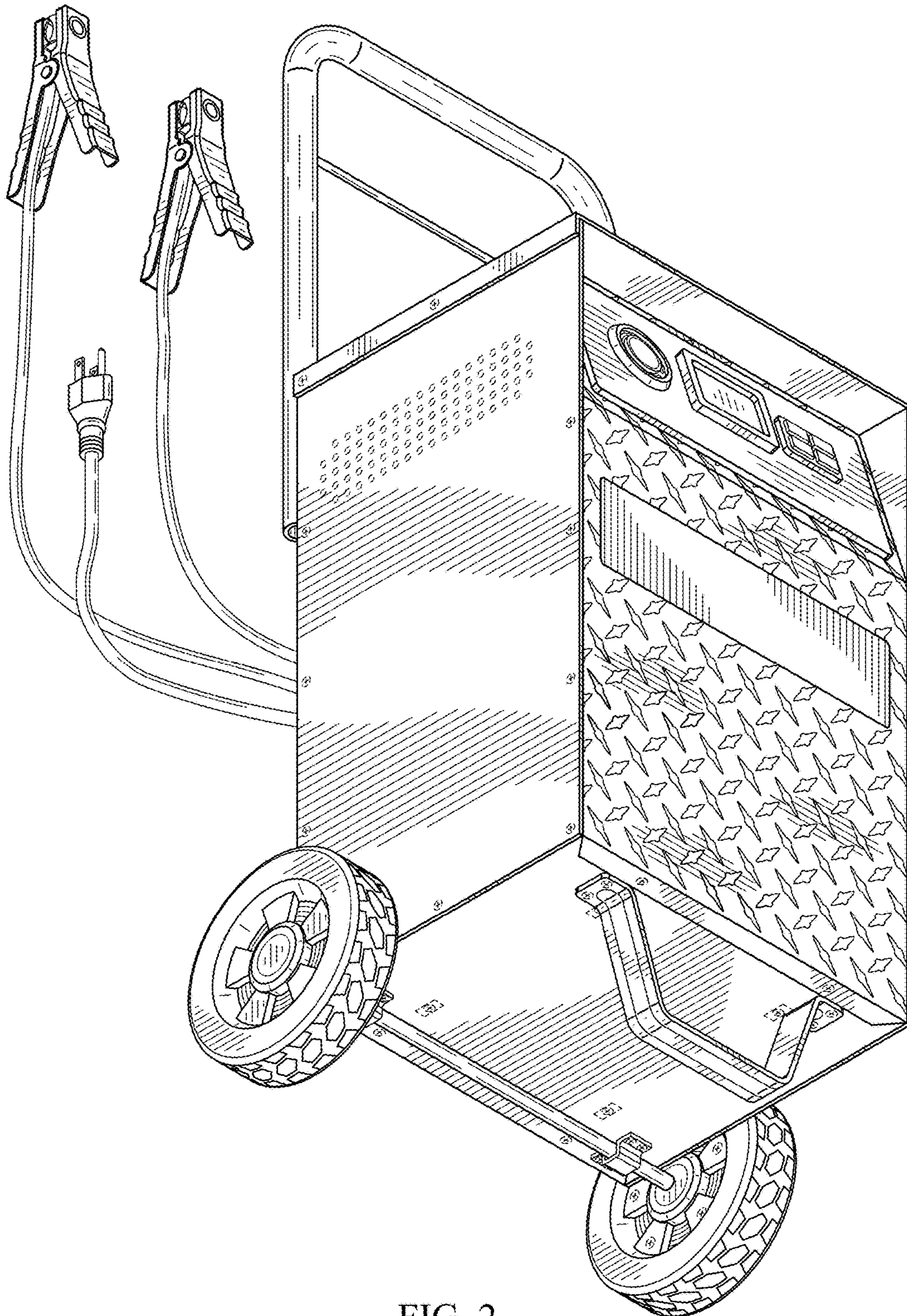


FIG. 2

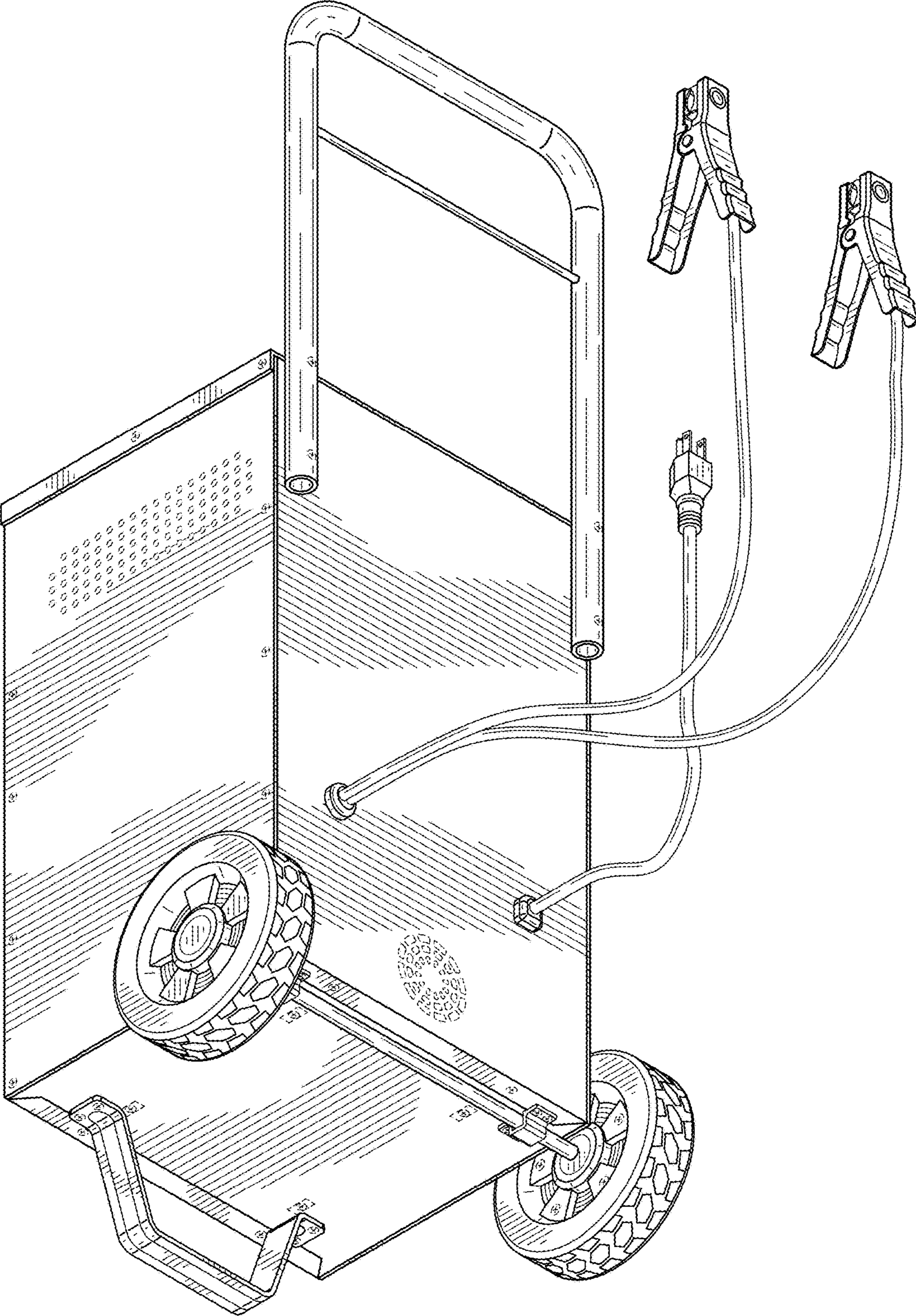


FIG. 3

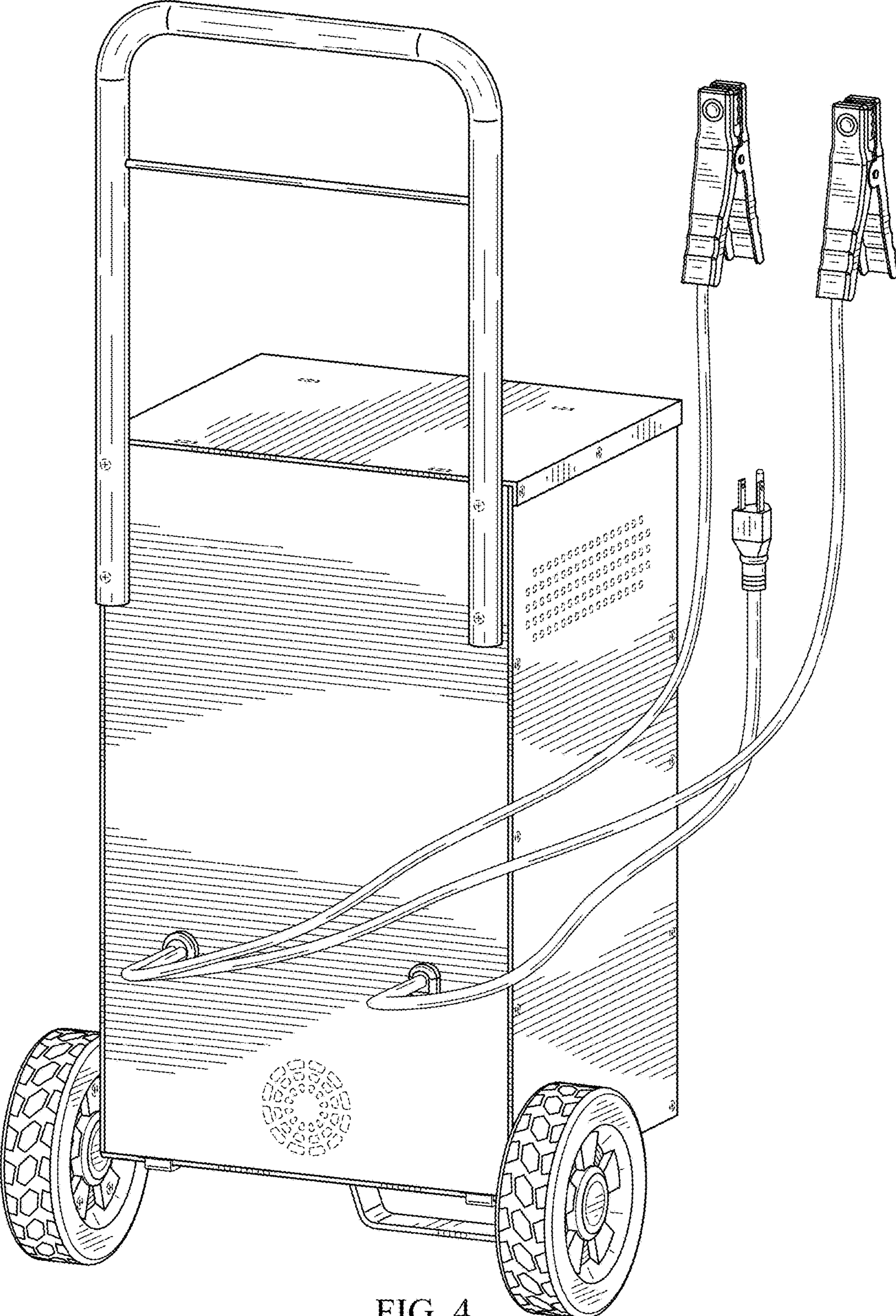


FIG. 4

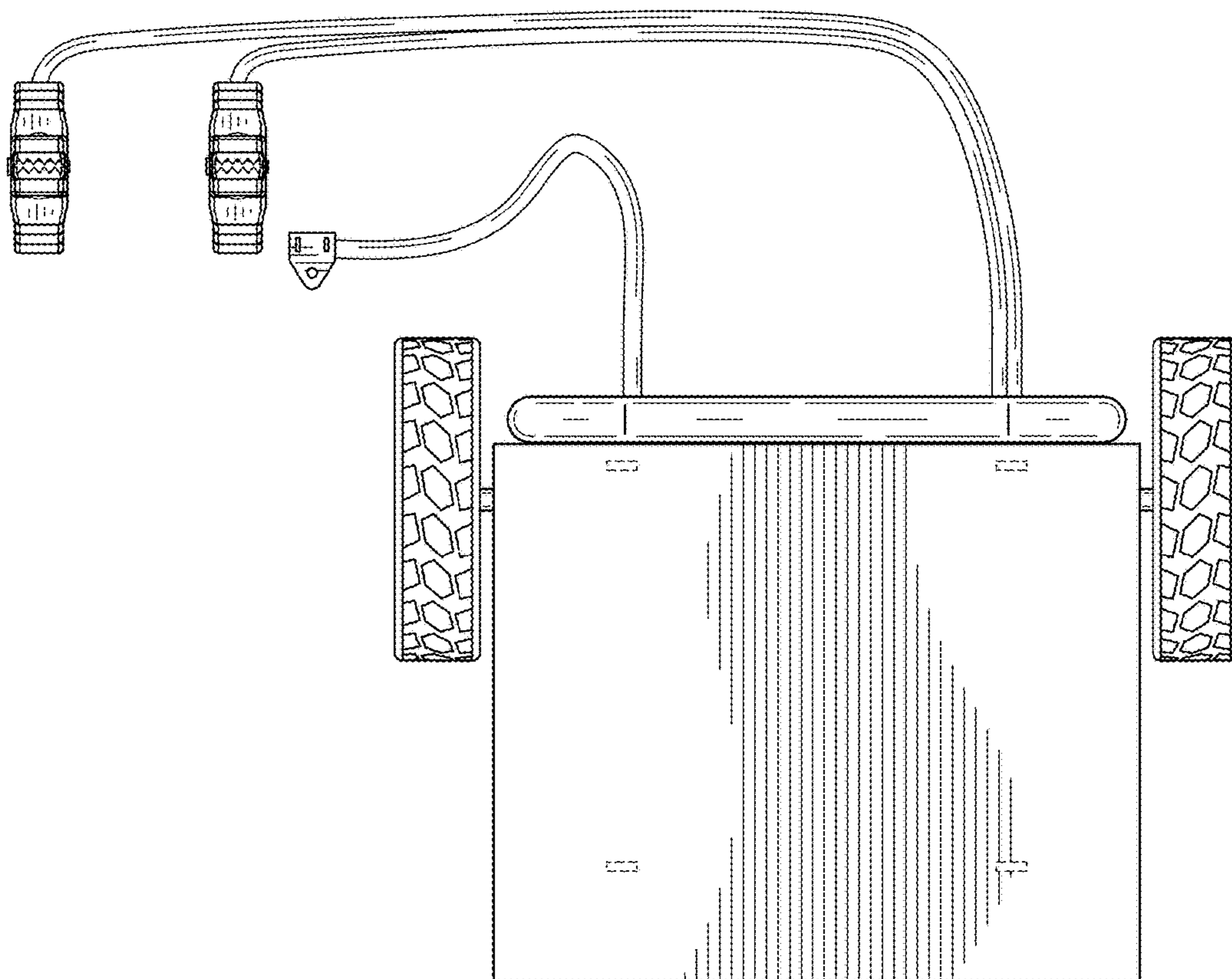


FIG. 5

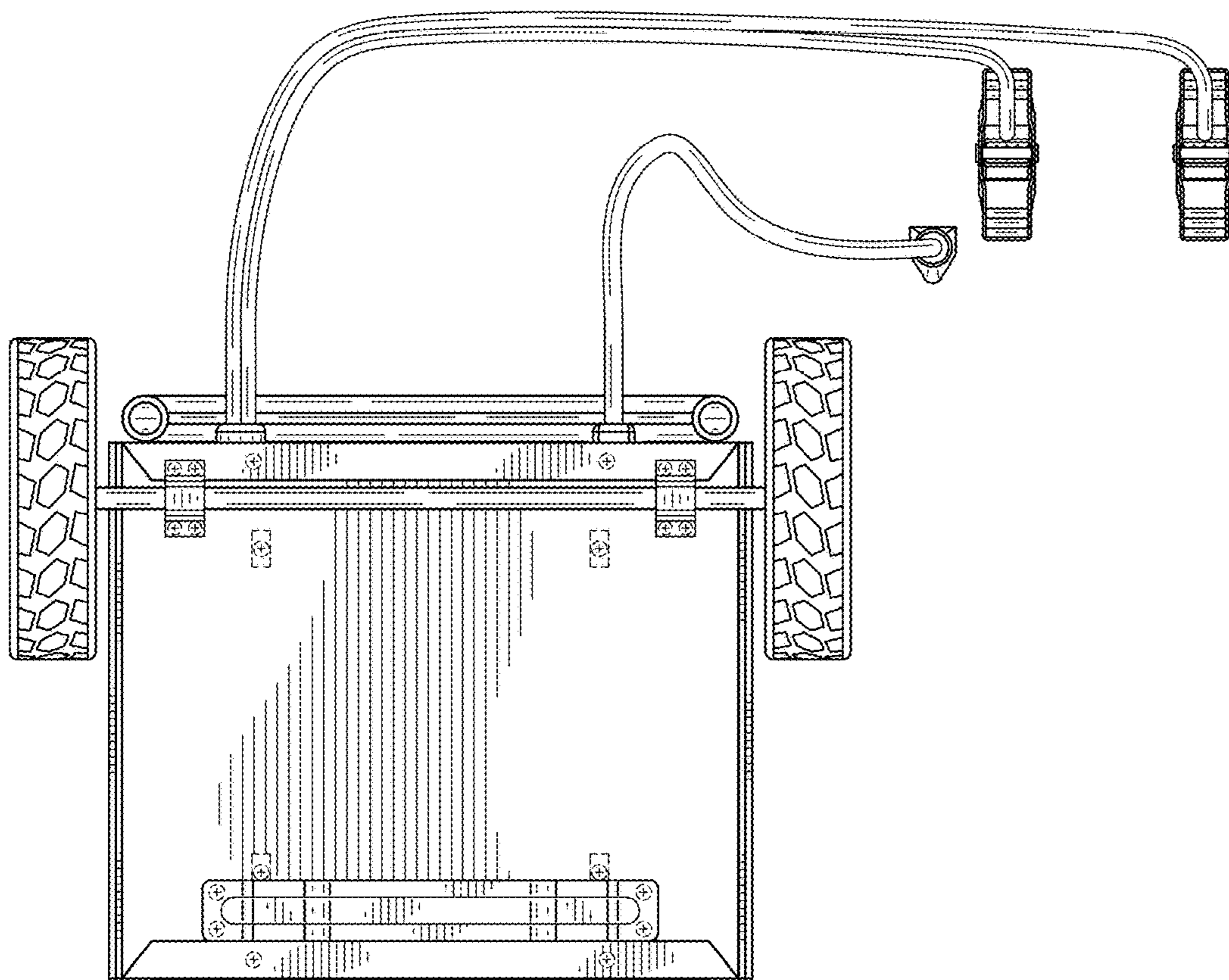


FIG. 6

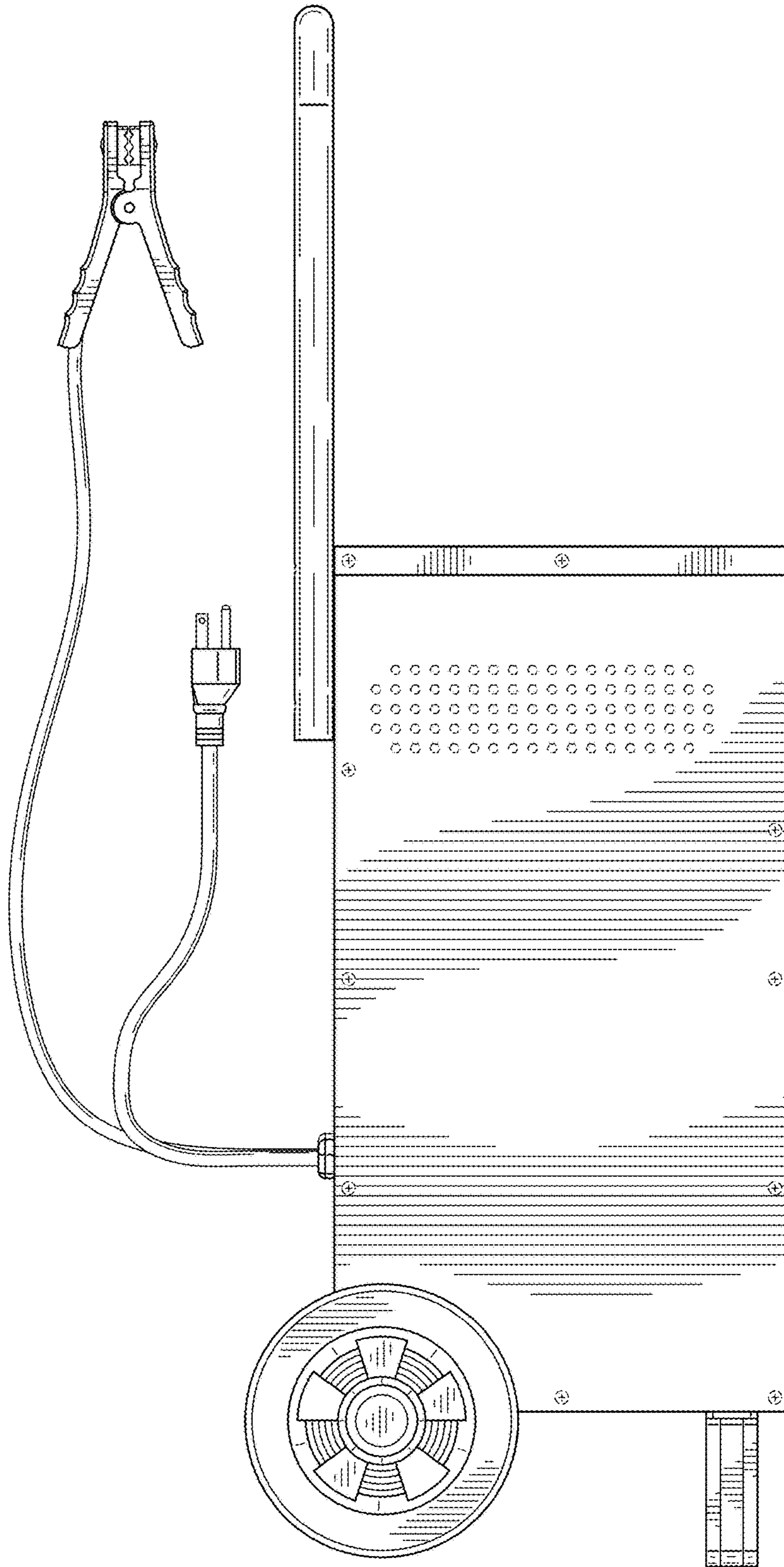


FIG. 7



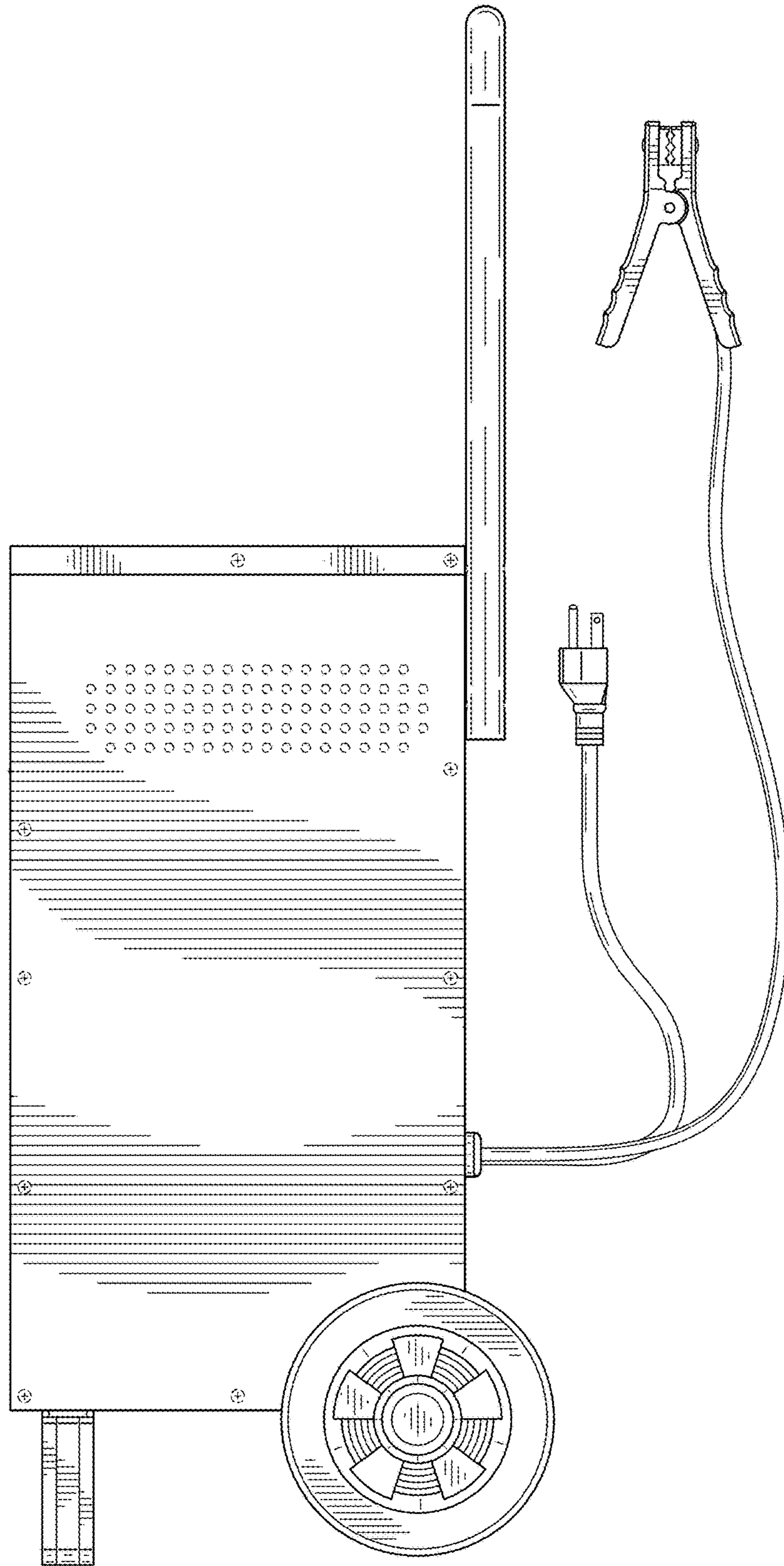


FIG. 8

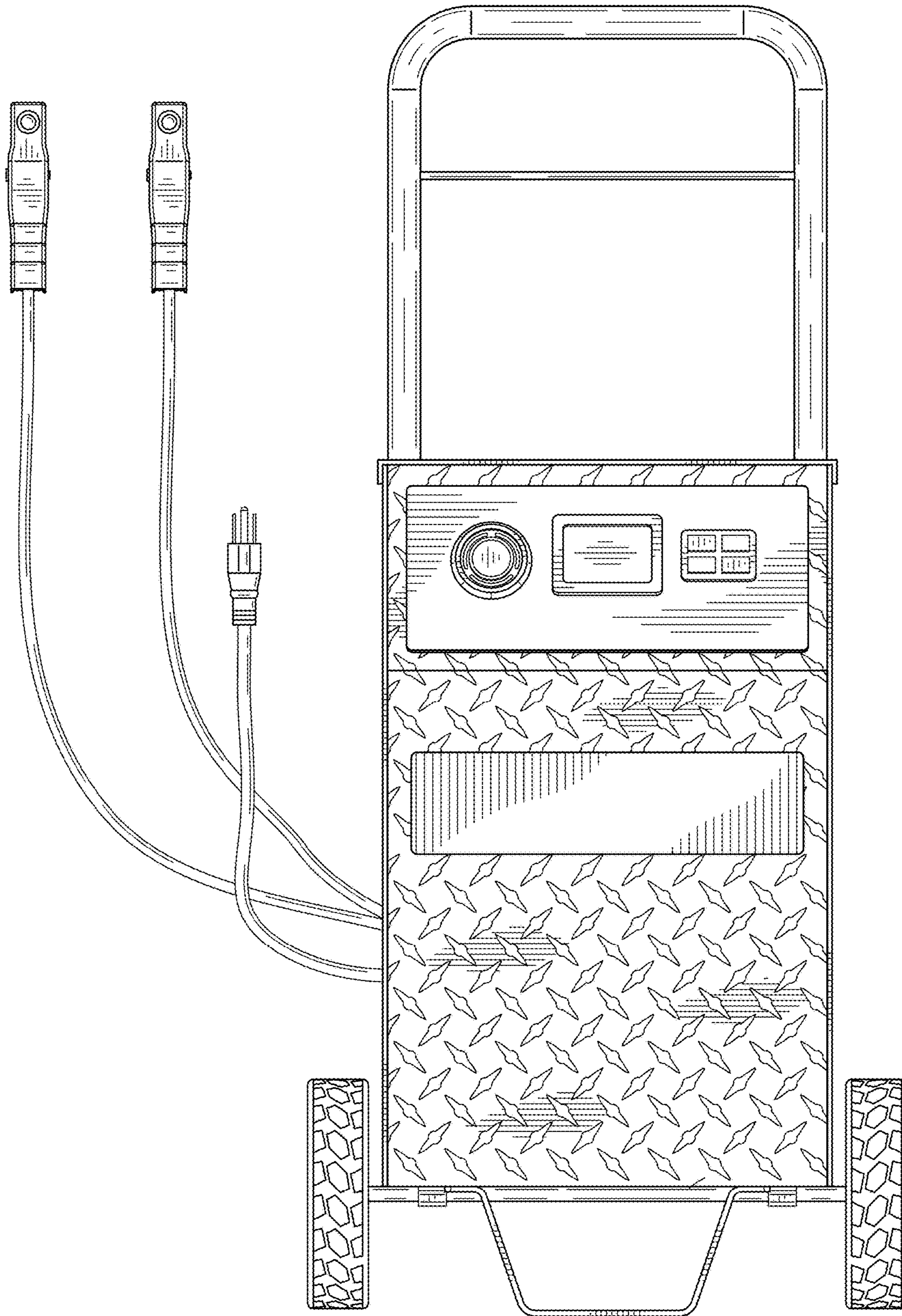


FIG. 9

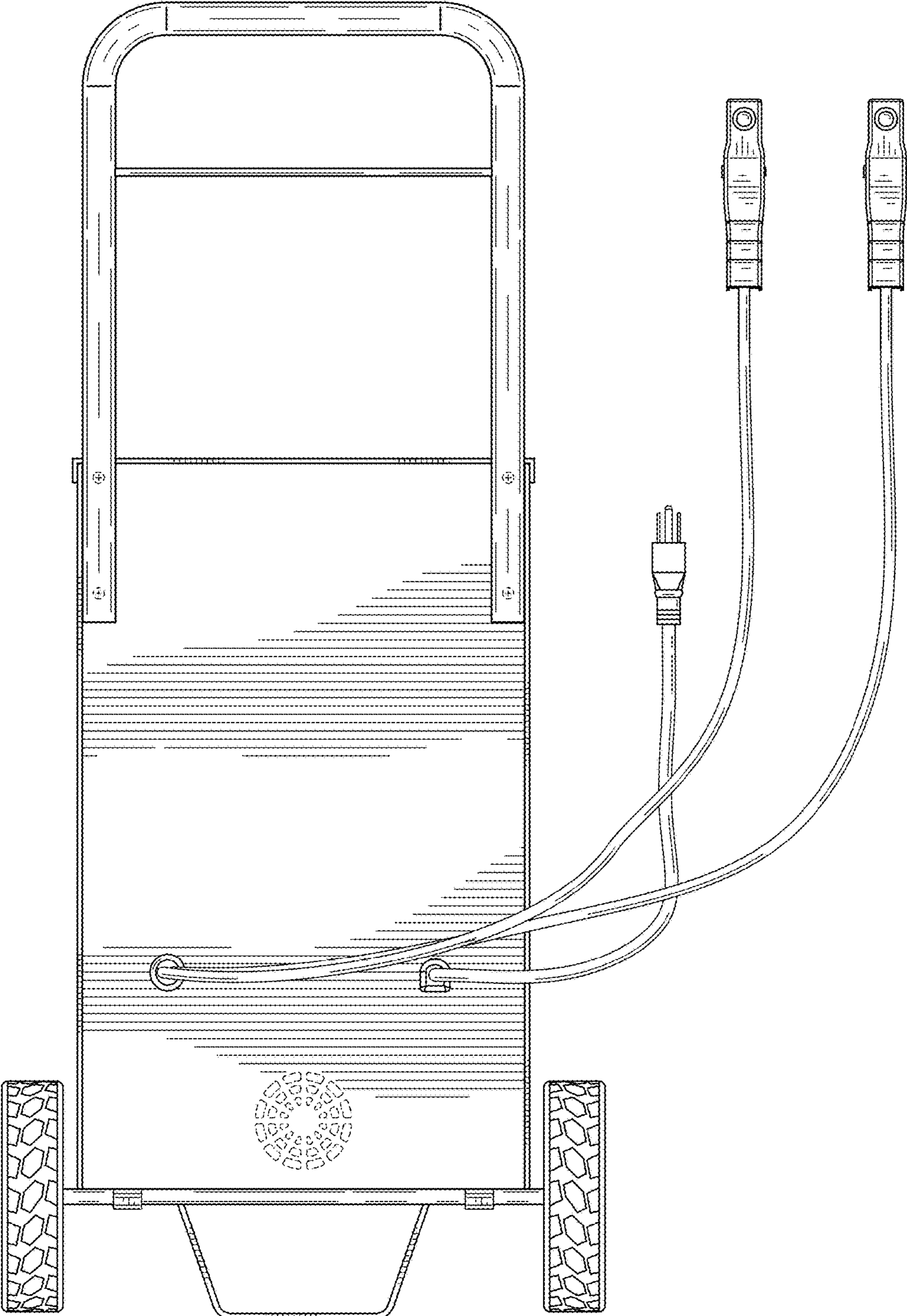


FIG. 10