



US00D811313S

(12) **United States Design Patent**
Bremmer

(10) **Patent No.:** **US D811,313 S**

(45) **Date of Patent:** **** Feb. 27, 2018**

(54) **TIRE**

(71) Applicant: **Apollo Tyres Global R&D B.V.**,
Enschede (NL)

(72) Inventor: **Paulus Bremmer**, Enschede (NL)

(73) Assignee: **Apollo Tyres Global R&D B.V.**,
Enschede (NL)

(**) Term: **15 Years**

(21) Appl. No.: **29/576,213**

(22) Filed: **Sep. 1, 2016**

(30) **Foreign Application Priority Data**

Mar. 2, 2016 (EM) 003010289-0001

(51) **LOC (11) Cl.** **12-15**

(52) **U.S. Cl.**
USPC **D12/523**

(58) **Field of Classification Search**
USPC D12/519, 521-523, 531-532
CPC B60C 1/0016; B60C 3/06; B60C 9/17;
B60C 11/0306; B60C 11/0302; B60C
11/11; B60C 2011/0346; B60C
2011/0365; B60C 2011/0369; B60C
2011/0381

See application file for complete search history.

(56) **References Cited**

U.S. PATENT DOCUMENTS

D716,217 S * 10/2014 Rittweger D12/523
D761,717 S * 7/2016 Fu D12/521

D780,091 S * 2/2017 Colletti D12/521
D783,507 S * 4/2017 Raatikainen D12/523
D785,547 S * 5/2017 Taniguchi D12/523
D786,776 S * 5/2017 Aoki D12/521
2013/0167997 A1* 7/2013 Hayashi B60C 11/04
152/209.18

* cited by examiner

Primary Examiner — Barbara Fox

Assistant Examiner — Messina L Smith

(74) *Attorney, Agent, or Firm* — Renner, Otto, Boisselle
and Sklar, LLP

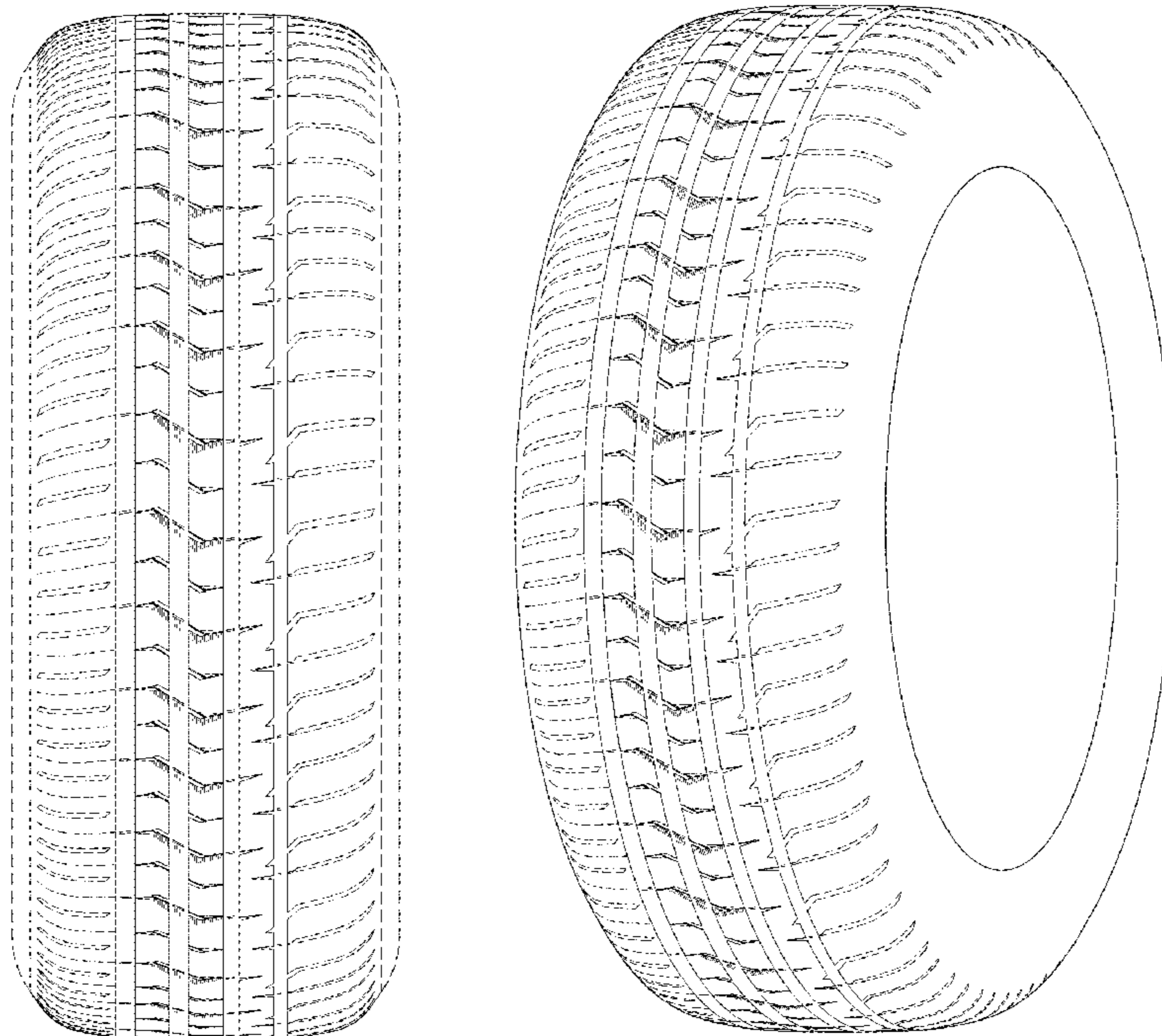
(57) **CLAIM**

The ornamental design for a tire, as shown and described.

DESCRIPTION

FIG. 1 is a front elevational view of a tire showing my new design, it being understood that the pattern repeats uniformly throughout the circumference of the tread;
FIG. 2 is a right side elevational view thereof;
FIG. 3 is a left side elevational view thereof;
FIG. 4 is a perspective view thereof;
FIG. 5 is a front elevational view of a second embodiment of a tire showing my new design, it being understood that the pattern repeats uniformly throughout the circumference of the tread;
FIG. 6 is a right side elevational view thereof;
FIG. 7 is a left side elevational view thereof; and,
FIG. 8 is a perspective view thereof.
In FIGS. 1-4, the broken line showing is intended to show portions of the tire that are not being claimed, and thus form no part of the claimed design.

1 Claim, 8 Drawing Sheets



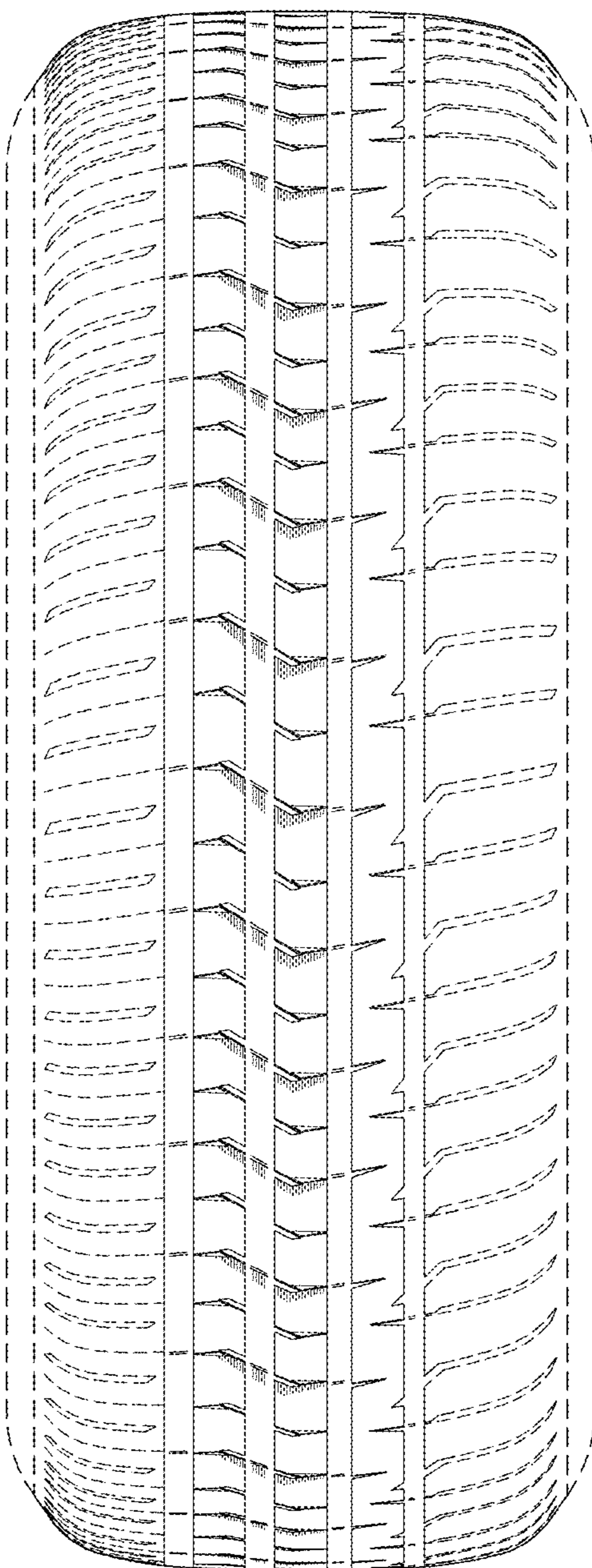


FIG. 1

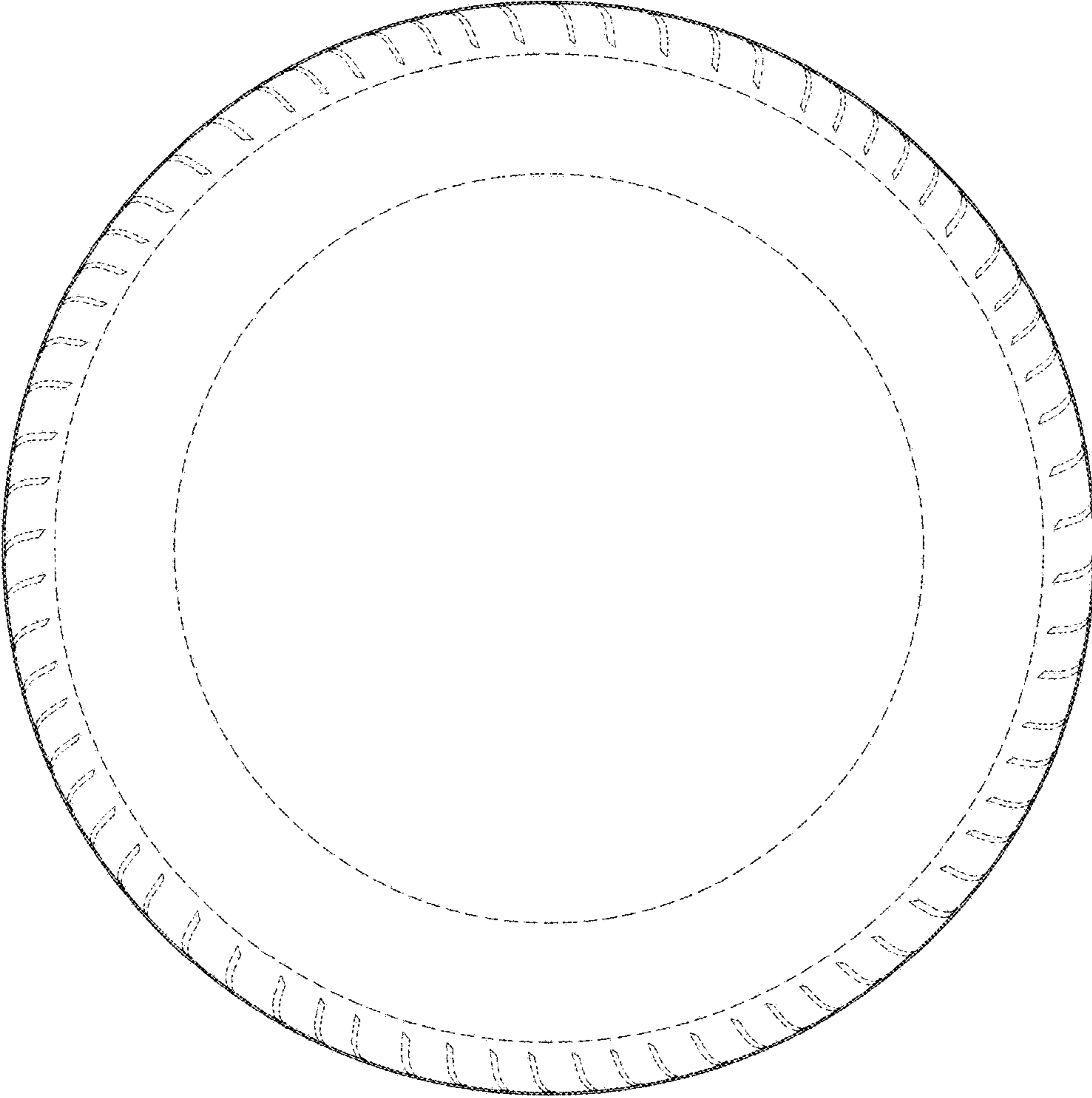


FIG. 2

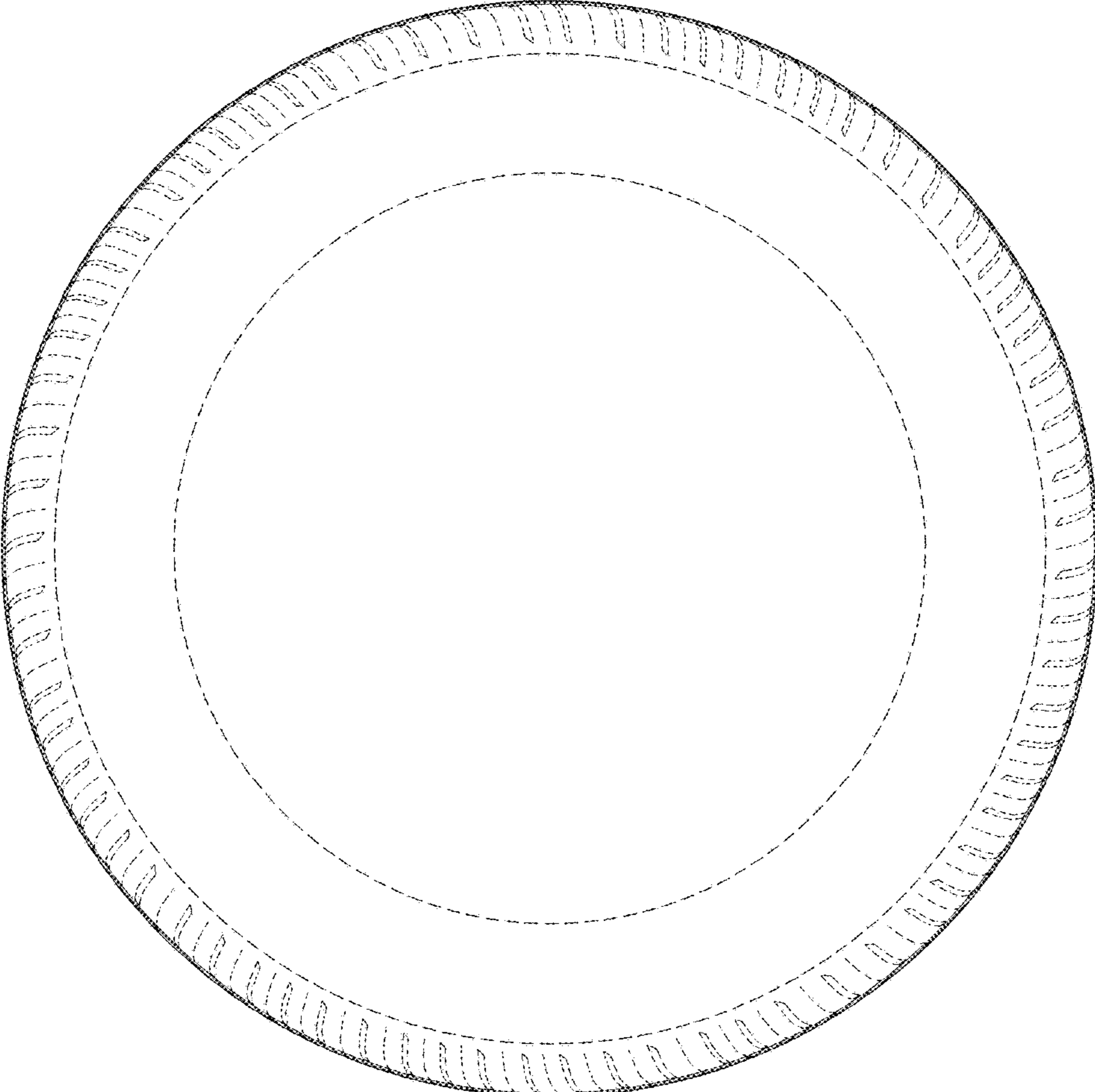


FIG. 3

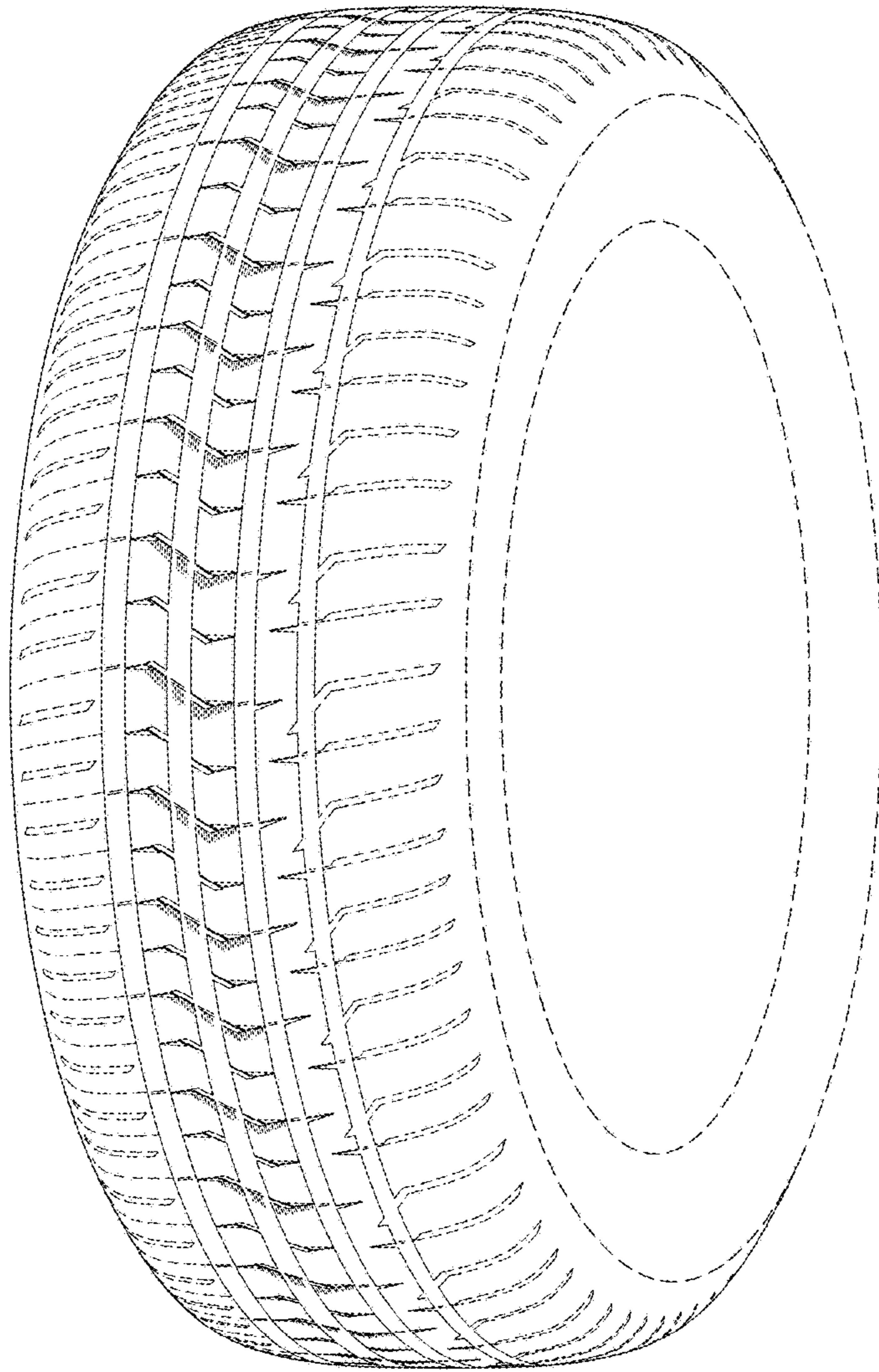


FIG. 4

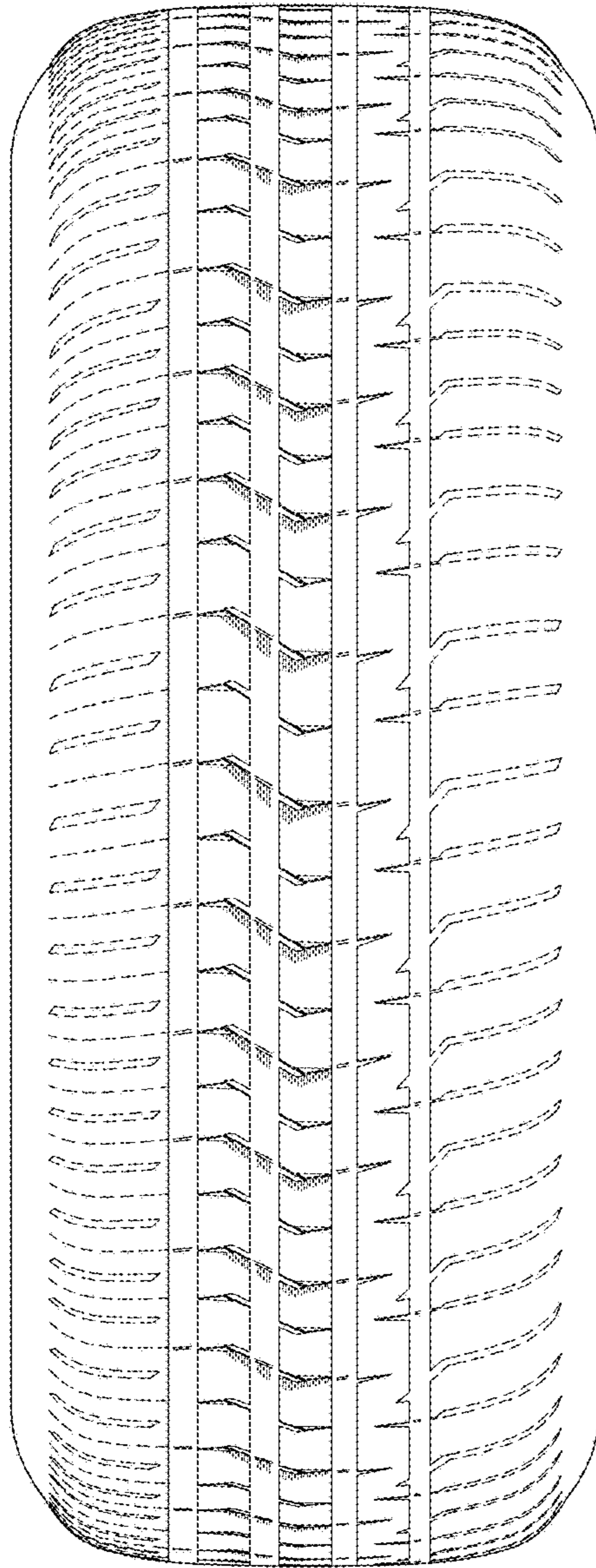


FIG. 5

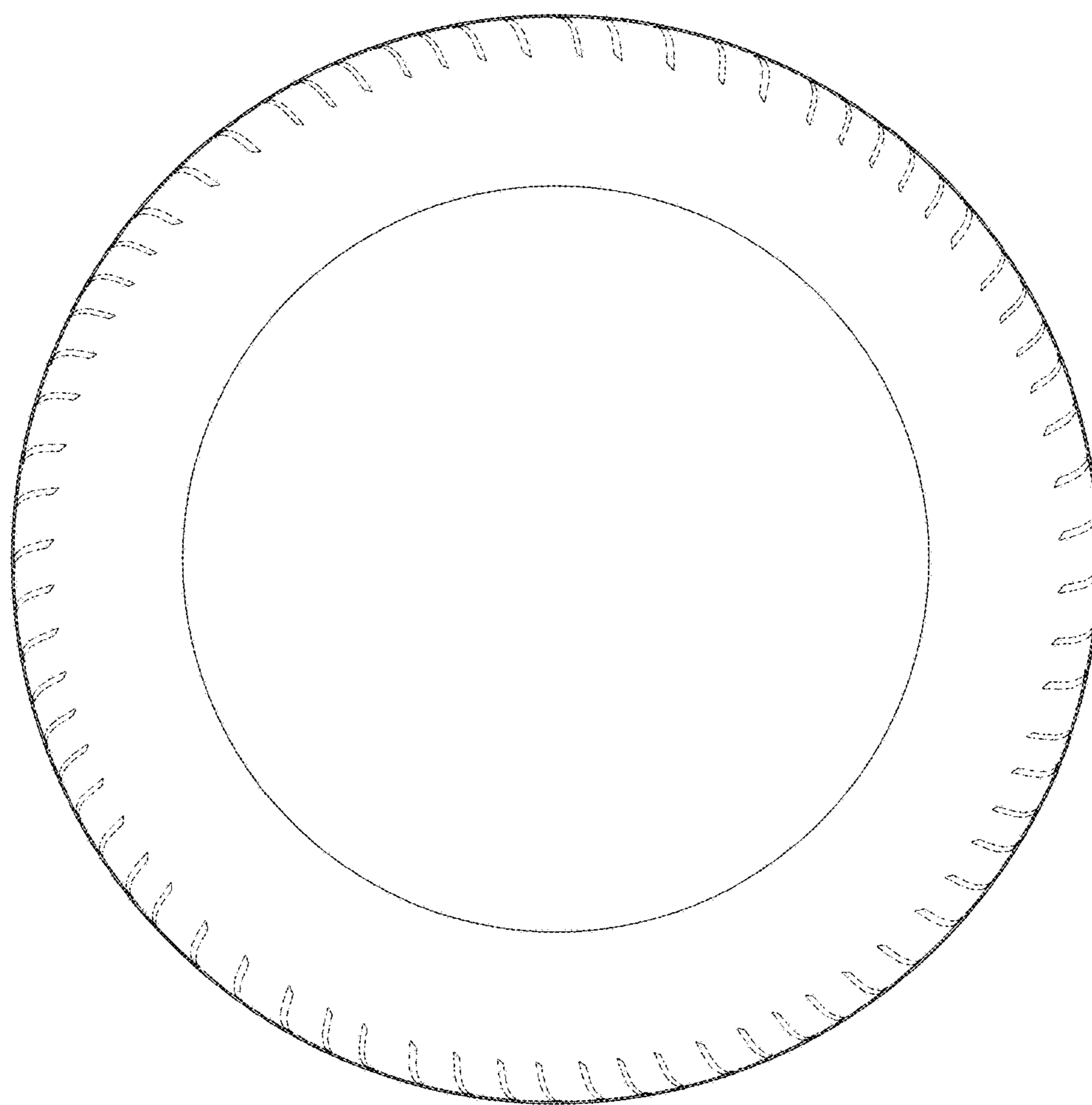


FIG. 6

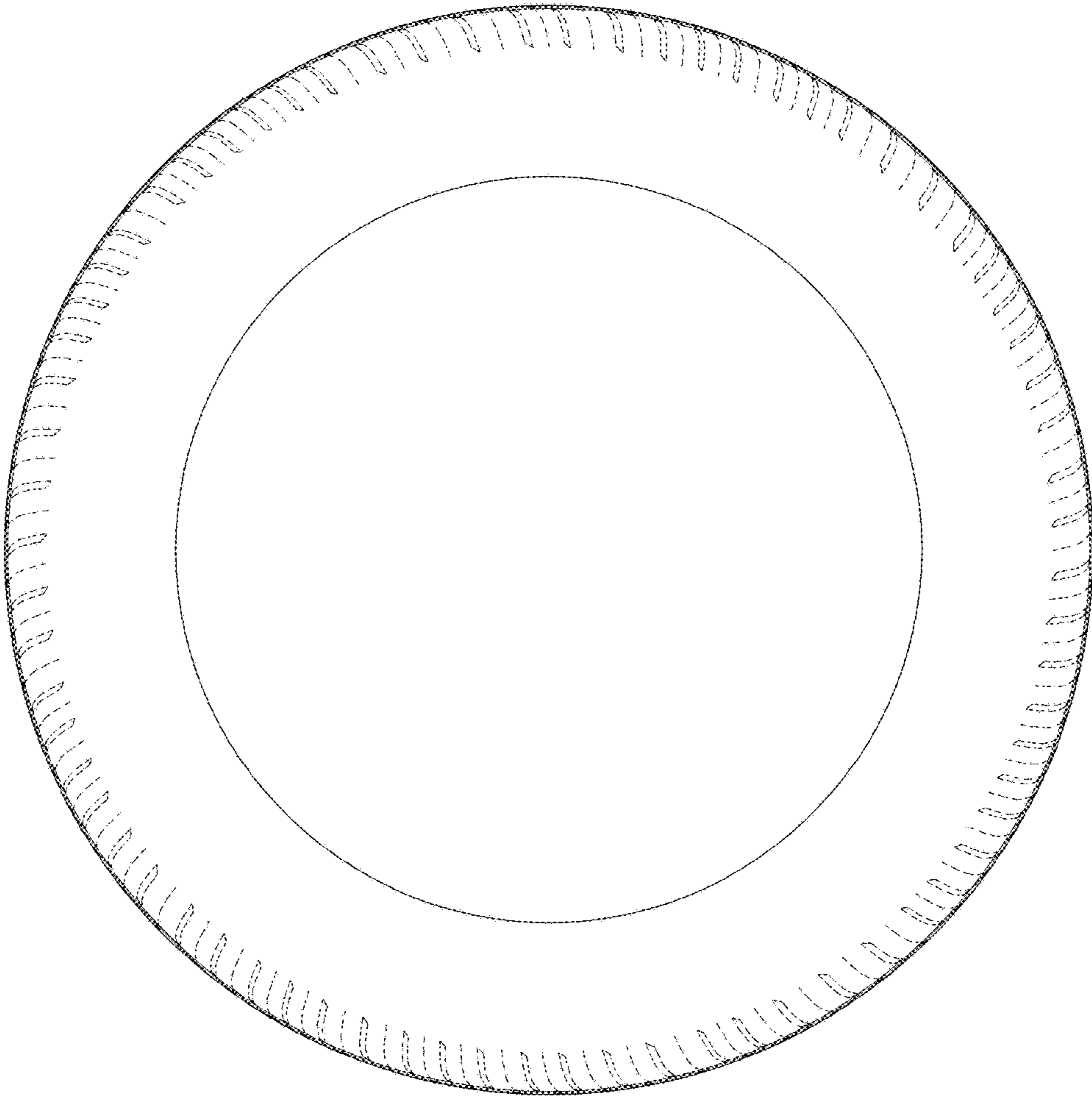


FIG. 7

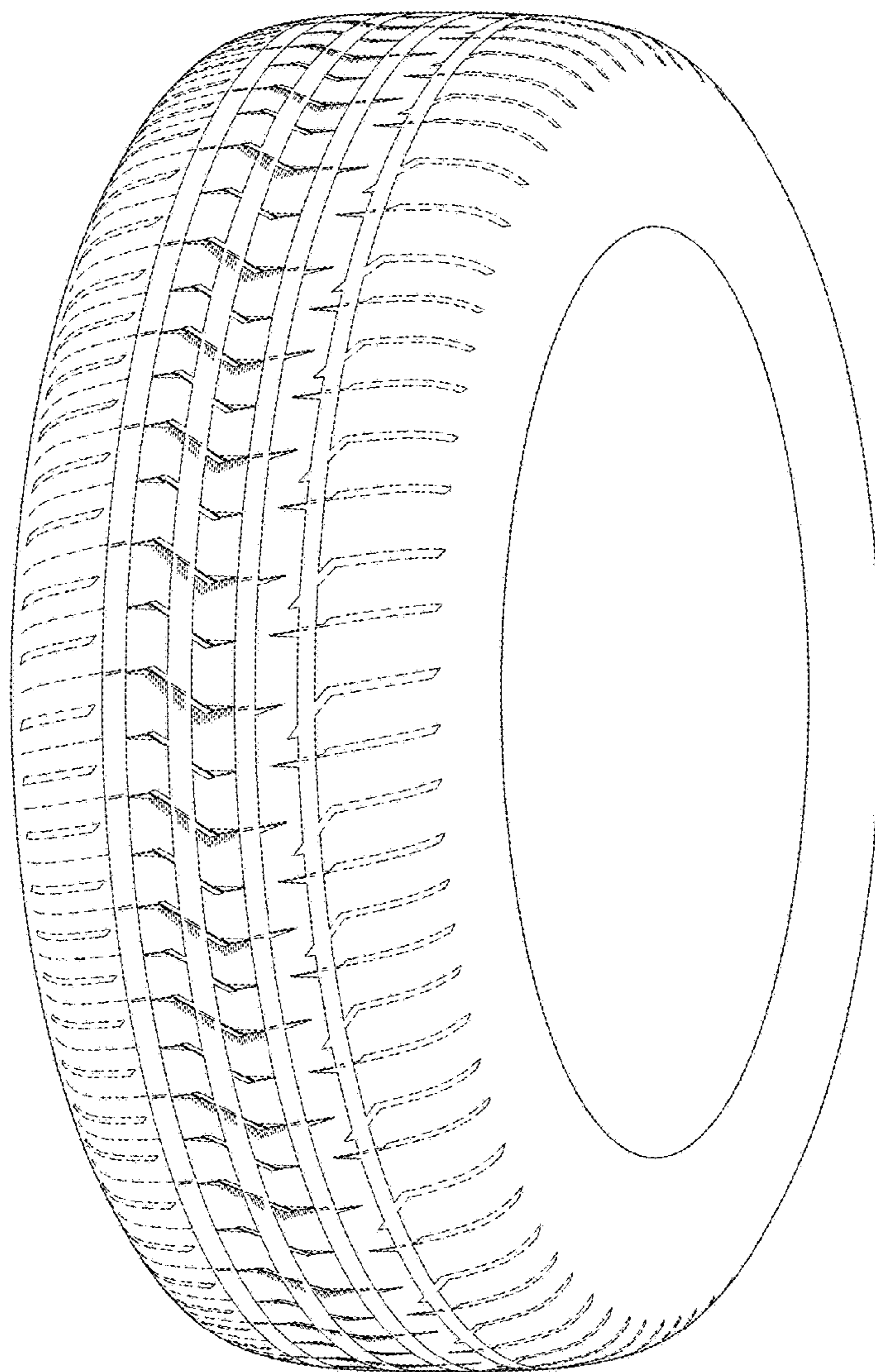


FIG. 8