

US00D811312S

(12) **United States Design Patent** (10) **Patent No.:** **US D811,312 S**  
**Yaegashi** (45) **Date of Patent:** **\*\* Feb. 27, 2018**

(54) **AUTOMOBILE TIRE**

(71) Applicant: **THE YOKOHAMA RUBBER CO., LTD.**, Minato-ku, Tokyo (JP)  
(72) Inventor: **Tsuyoshi Yaegashi**, Hiratsuka (JP)  
(73) Assignee: **THE YOKOHAMA RUBBER CO., LTD.**, Minato-ku, Tokyo (JP)

(\*\*) Term: **15 Years**

(21) Appl. No.: **29/537,568**

(22) Filed: **Aug. 27, 2015**

(30) **Foreign Application Priority Data**

Feb. 27, 2015 (JP) ..... 2015-004223

(51) **LOC (11) Cl.** ..... **12-15**

(52) **U.S. Cl.**  
USPC ..... **D12/523**

(58) **Field of Classification Search**  
USPC ..... D12/500-532, 584, 593, 594, 595, 601, D12/604  
CPC ..... B60C 11/0311; B60C 11/0309; B60C 11/0304; B60C 11/03; B60C 11/0327; B60C 11/0316; B60C 11/042; B60C 11/04; B60C 11/1323; B60C 2011/0344; B60C 2011/0341; B60C 2011/0339; B60C 2011/0388; B60C 2011/0386; B60C 2011/0358; B60C 2011/0351; B60C

(Continued)

(56) **References Cited**

**U.S. PATENT DOCUMENTS**

D315,129 S \* 3/1991 Graas ..... D12/532  
D403,282 S \* 12/1998 Aull ..... D12/523

(Continued)

**FOREIGN PATENT DOCUMENTS**

JP D1514041 S 12/2014

**OTHER PUBLICATIONS**

Michelin Pilot Super Sport, posted at TireRack, review posting date May 8, 2011. [online], [site visited Dec. 8, 2016]. Available from Internet, <URL: <http://www.tirerack.com/survey/SurveyComments.jsp?&category=tire&additionalComments=y&commentStatus=P&tireMake=Michelin&tireModel=Pilot+Super+Sport&fromTireDetail=true&tirePageLocQty=>>>.\*

(Continued)

*Primary Examiner* — Kevin Rudzinski  
(74) *Attorney, Agent, or Firm* — Banner & Witcoff, Ltd.

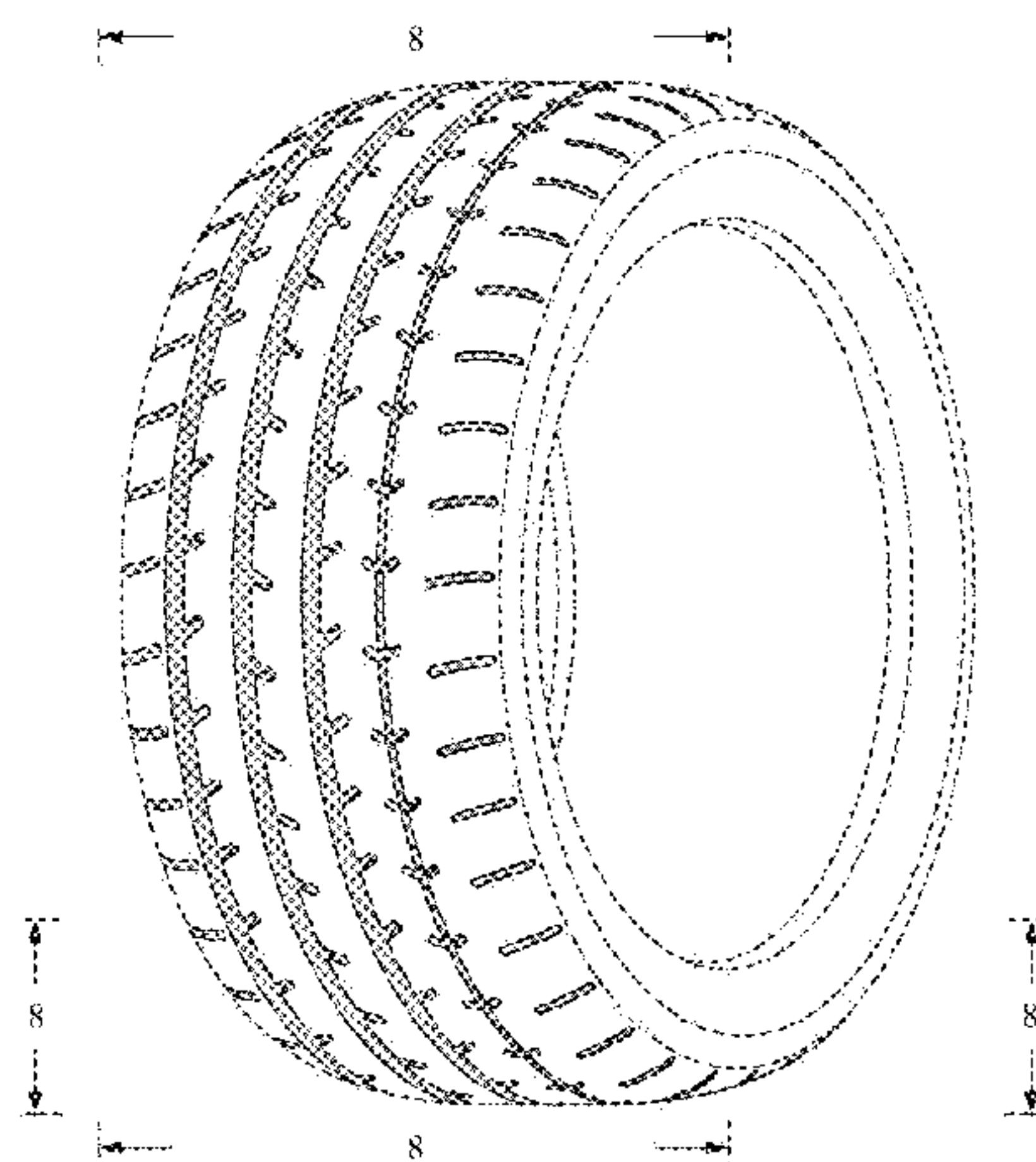
(57) **CLAIM**

The ornamental design for an automobile tire, as shown and described.

**DESCRIPTION**

FIG. 1 is a perspective view of an automobile tire showing our new design;  
FIG. 2 is a front view thereof;  
FIG. 3 is a rear view thereof;  
FIG. 4 is a left side view thereof;  
FIG. 5 is a right side view thereof;  
FIG. 6 is a top view thereof;  
FIG. 7 is a bottom view thereof;  
FIG. 8 is a partially enlarged view of a portion defined by lines 8-8 shown in FIG. 1;  
FIG. 9 is a partially enlarged view of a portion defined by lines 9-9 shown in FIG. 2;  
FIG. 10 is a partially enlarged view of a portion defined by lines 10-10 shown in FIG. 6;  
FIG. 11 is a cross sectional view of a portion defined by lines 11-11 shown in FIG. 9;  
FIG. 12 is a cross sectional view of a portion defined by lines 12-12 shown in FIG. 9; and,  
FIG. 13 is a cross sectional view of a portion defined by lines 13-13 shown in FIG. 9.

(Continued)



The broken lines in the drawings are included for the purpose of illustrating portions of the article and form no part of the claimed design.

**1 Claim, 11 Drawing Sheets**

(58) **Field of Classification Search**

CPC ..... 2011/0348; B60C 2011/1231; B60C 2011/1209

See application file for complete search history.

(56)

**References Cited**

U.S. PATENT DOCUMENTS

D423,422	S	*	4/2000	Selover	.....	D12/523
D453,729	S	*	2/2002	Demagall	.....	D12/523
D571,282	S	*	6/2008	Murata	.....	D12/519
D583,302	S	*	12/2008	Shavers	.....	D12/518
D609,627	S	*	2/2010	Frappart	.....	D12/523
D668,598	S	*	10/2012	Hughes	.....	D12/521
D708,116	S	*	7/2014	Caron	.....	D12/523
D728,453	S	*	5/2015	Maxwell	.....	D12/523
D734,708	S	*	7/2015	Kang	.....	D12/520
D743,874	S	*	11/2015	Philipot	.....	D12/518
D757,635	S	*	5/2016	Yaegashi	.....	D12/519
D758,954	S	*	6/2016	Albouy	.....	D12/518
D761,716	S	*	7/2016	Albouy	.....	D12/518
D772,143	S	*	11/2016	Kaneko	.....	D12/519

D772,785	S	*	11/2016	Kaneko	.....	D12/519
D774,443	S	*	12/2016	Yaegashi	.....	D12/507
D777,644	S	*	1/2017	Niwa	.....	D12/515
D786,773	S	*	5/2017	Raatikainen	.....	D12/519
D789,280	S	*	6/2017	Sanae	.....	D12/527
2013/0167997	A1	*	7/2013	Hayashi	.....	B60C 11/04 152/209.18
2016/0144664	A1	*	5/2016	Kimura	.....	B60C 11/04 152/209.22
2017/0036487	A1	*	2/2017	Kodaka	.....	B60C 11/0302
2017/0100966	A1	*	4/2017	Matsunaga	.....	B60C 11/1323

OTHER PUBLICATIONS

Pirelli P Zero Trofeo, posted at Tire Size, posting date Apr. 22, 2014. [online], [site visited Dec. 8, 2016]. Available from Internet, <URL: <https://tiresize.com/tires/Pirelli/P-Zero-Trofeo.htm>>.\*

Pirelli New P7 Corsa Classic Tyre, posted at Demon Tweaks, review posting date Nov. 17, 2013. [online], [site visited Dec. 8, 2016]. Available from Internet, <URL: <http://www.demon-tweaks.co.uk/motorsport/competition-tyres/pirelli-new-p7-corsa-classic-tyre>>.\*

A008, posted at Yokohama Europe, posting date Jul. 29, 2013. [online], [site visited Dec. 8, 2016]. Available from Internet, <URL: [https://web.archive.org/web/20130729051921/http://www.yokohama-online.com/Tyres/Car-Tyres/Passenger-Car-Summer-Tyres/\(product\)/A008](https://web.archive.org/web/20130729051921/http://www.yokohama-online.com/Tyres/Car-Tyres/Passenger-Car-Summer-Tyres/(product)/A008)>.\*

Jul. 28, 2015—(JP) Notification of Reasons for Refusal—App JP2015-004223.

\* cited by examiner



FIG. 1

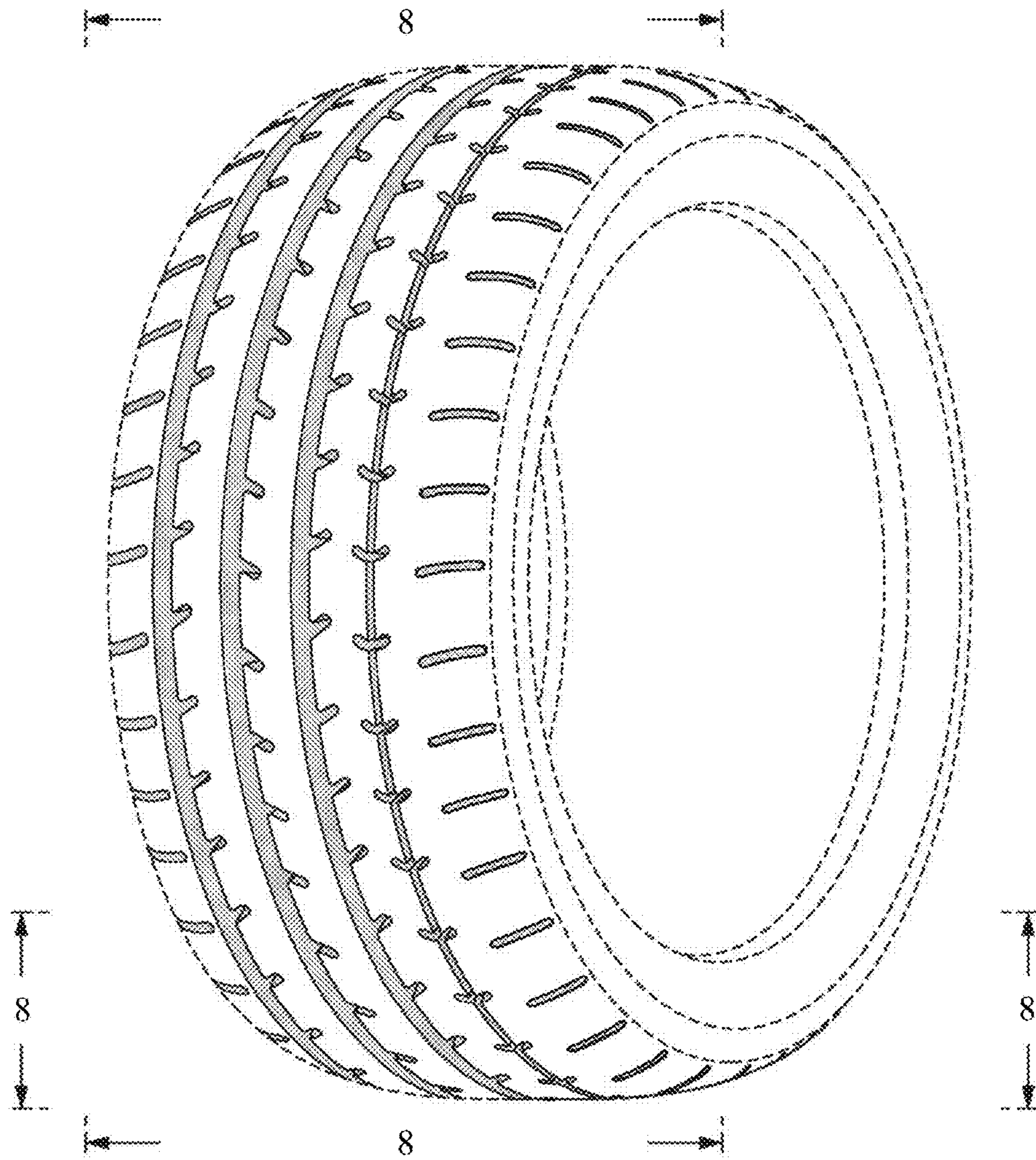
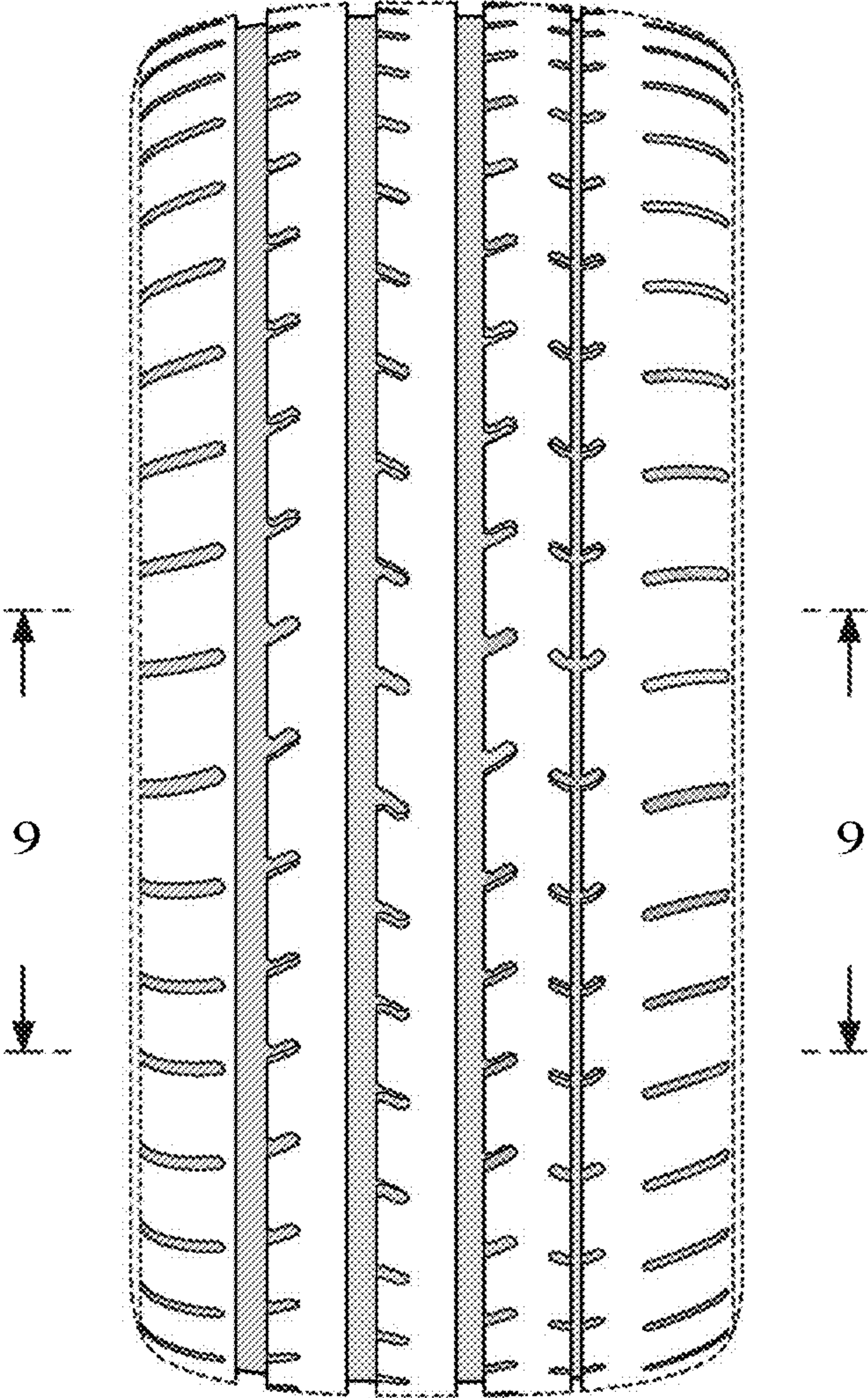
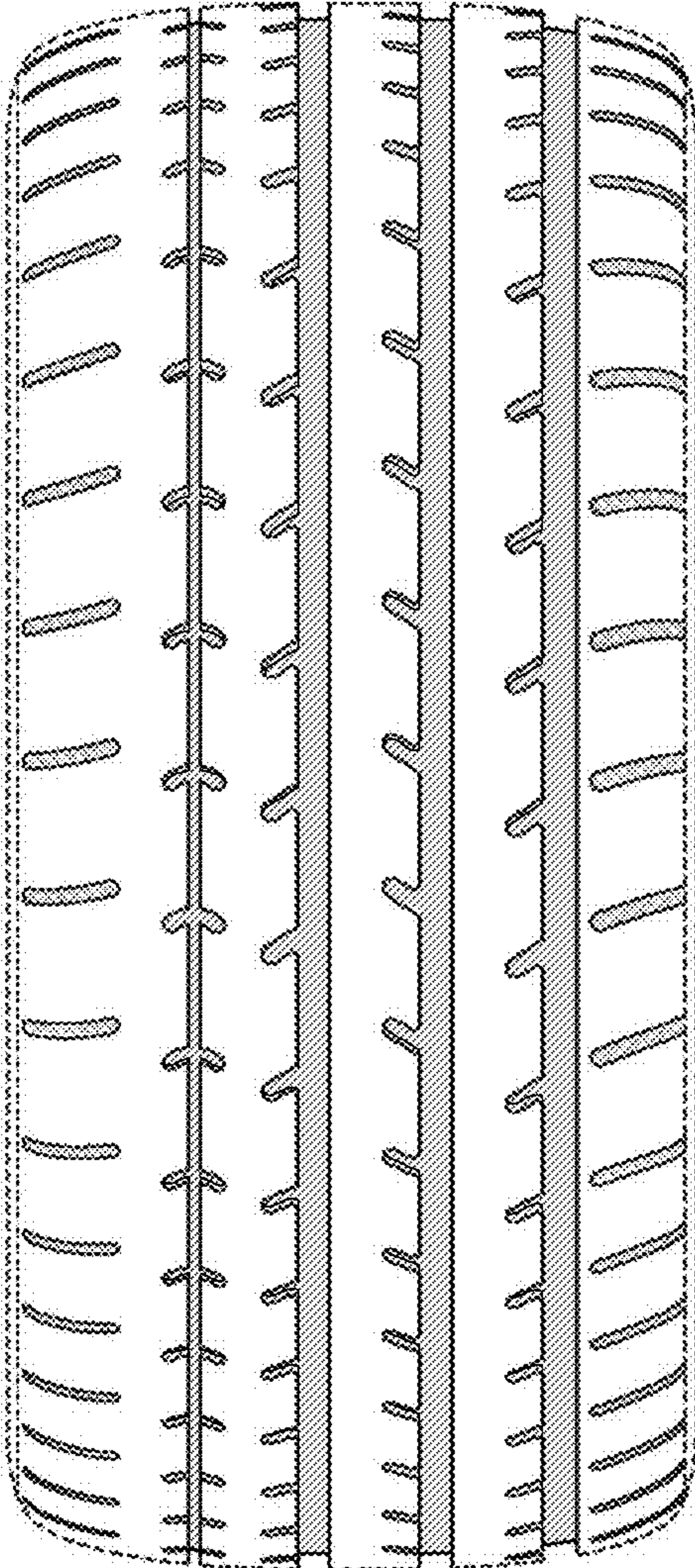


FIG. 2

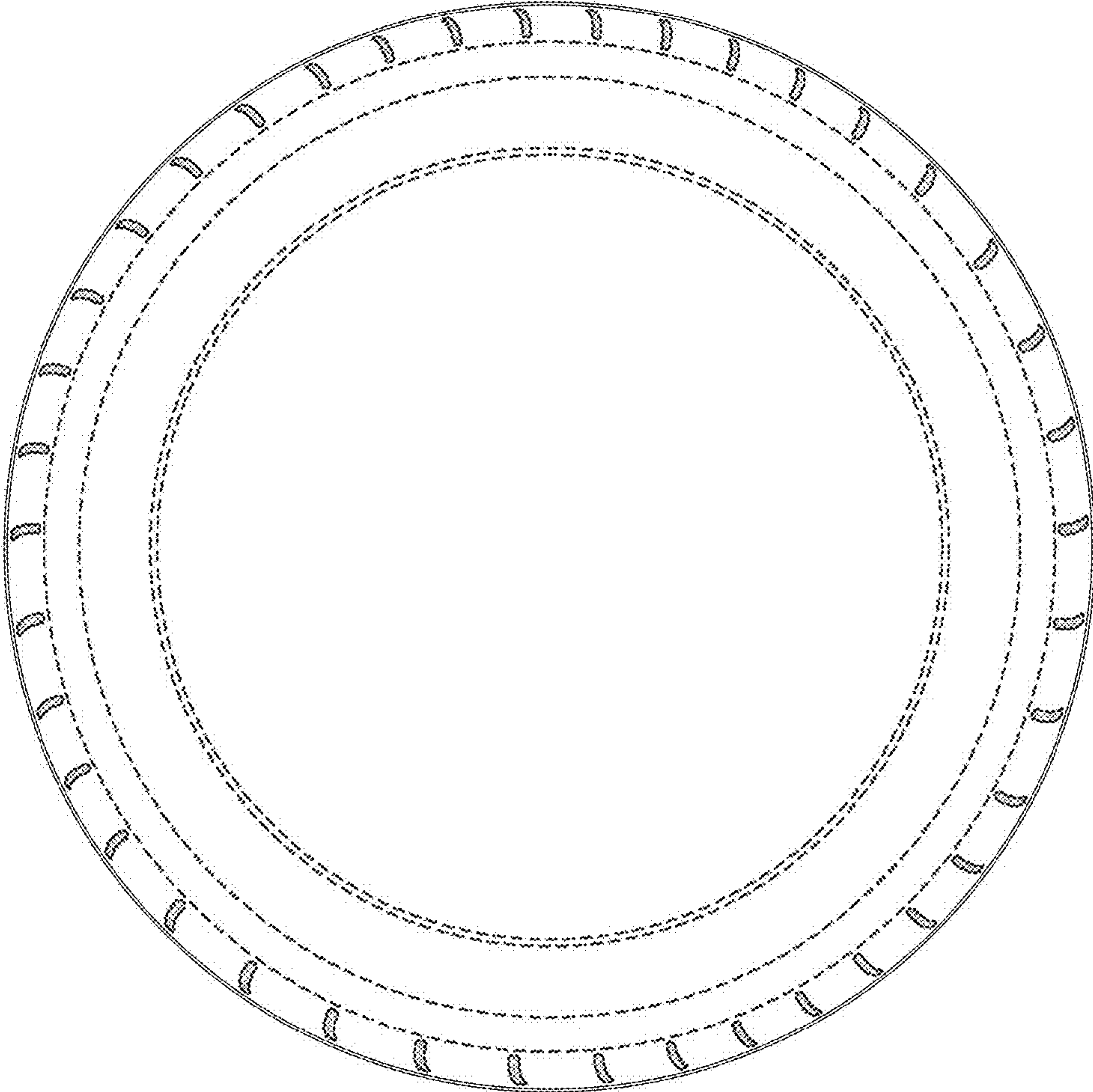




**FIG. 3**



**FIG. 4**



**FIG. 5**

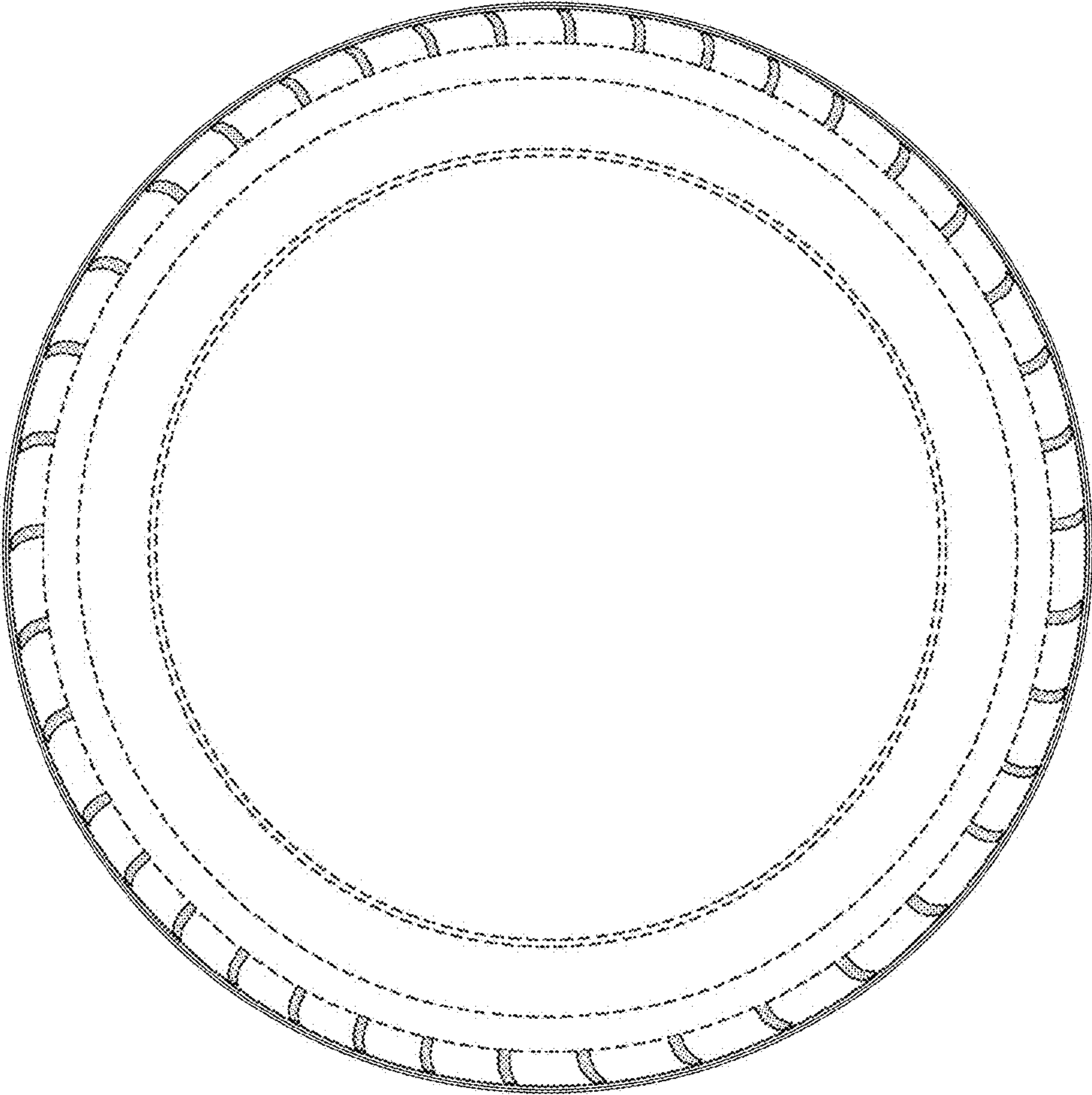
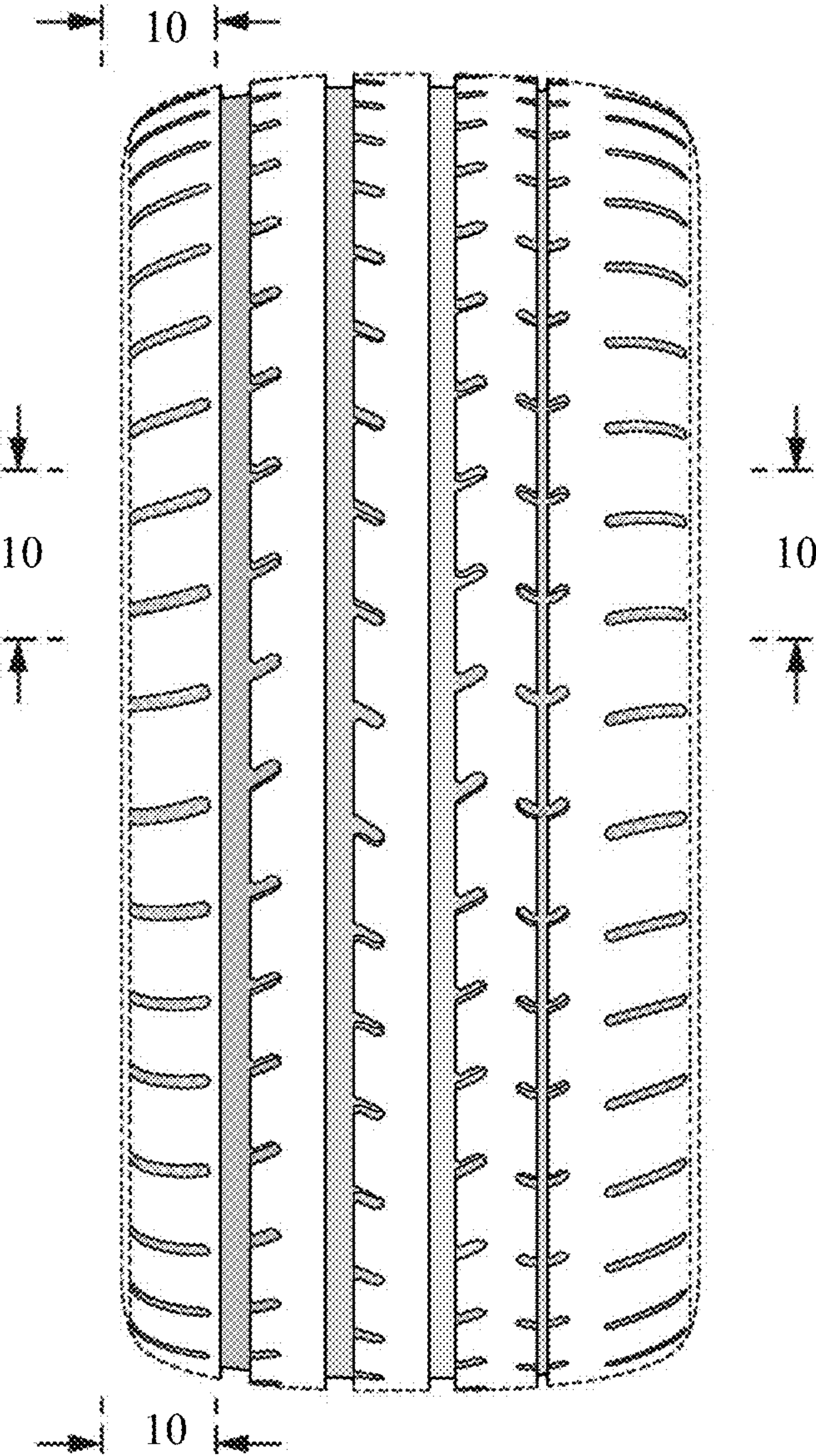


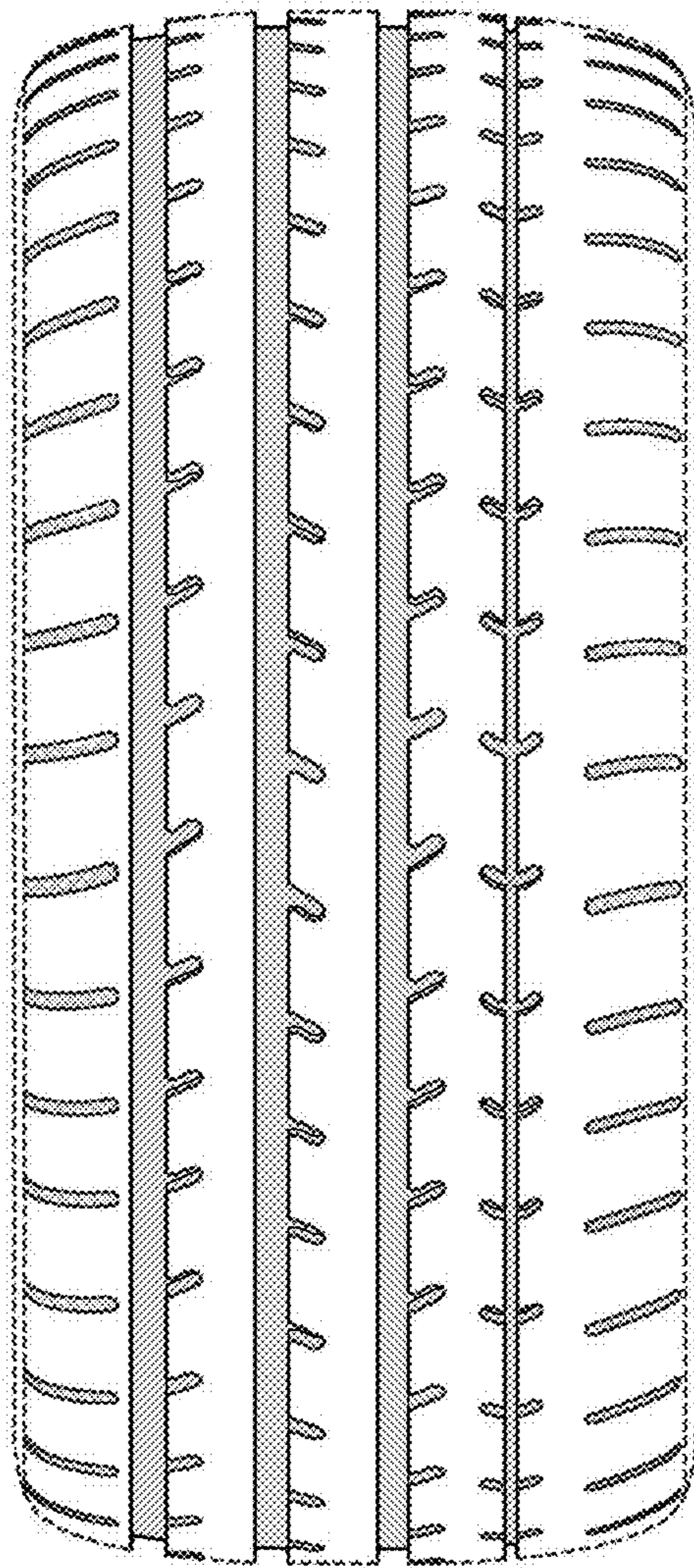


FIG. 6





**FIG. 7**



**FIG. 8**

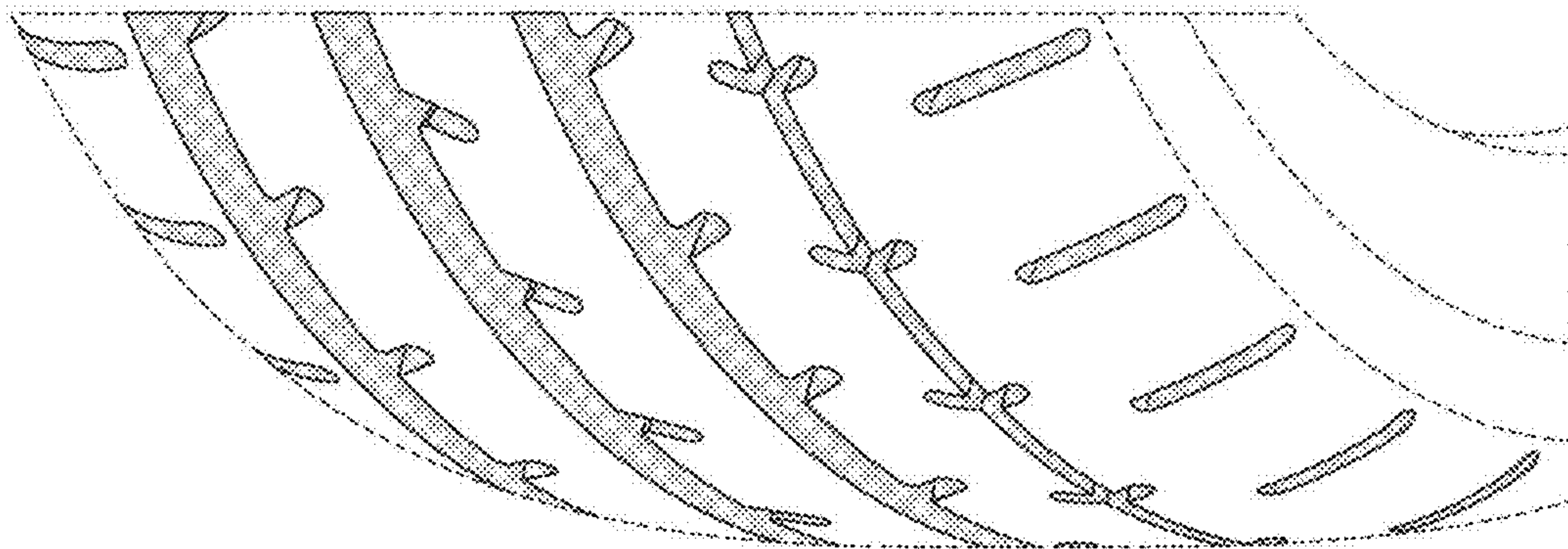
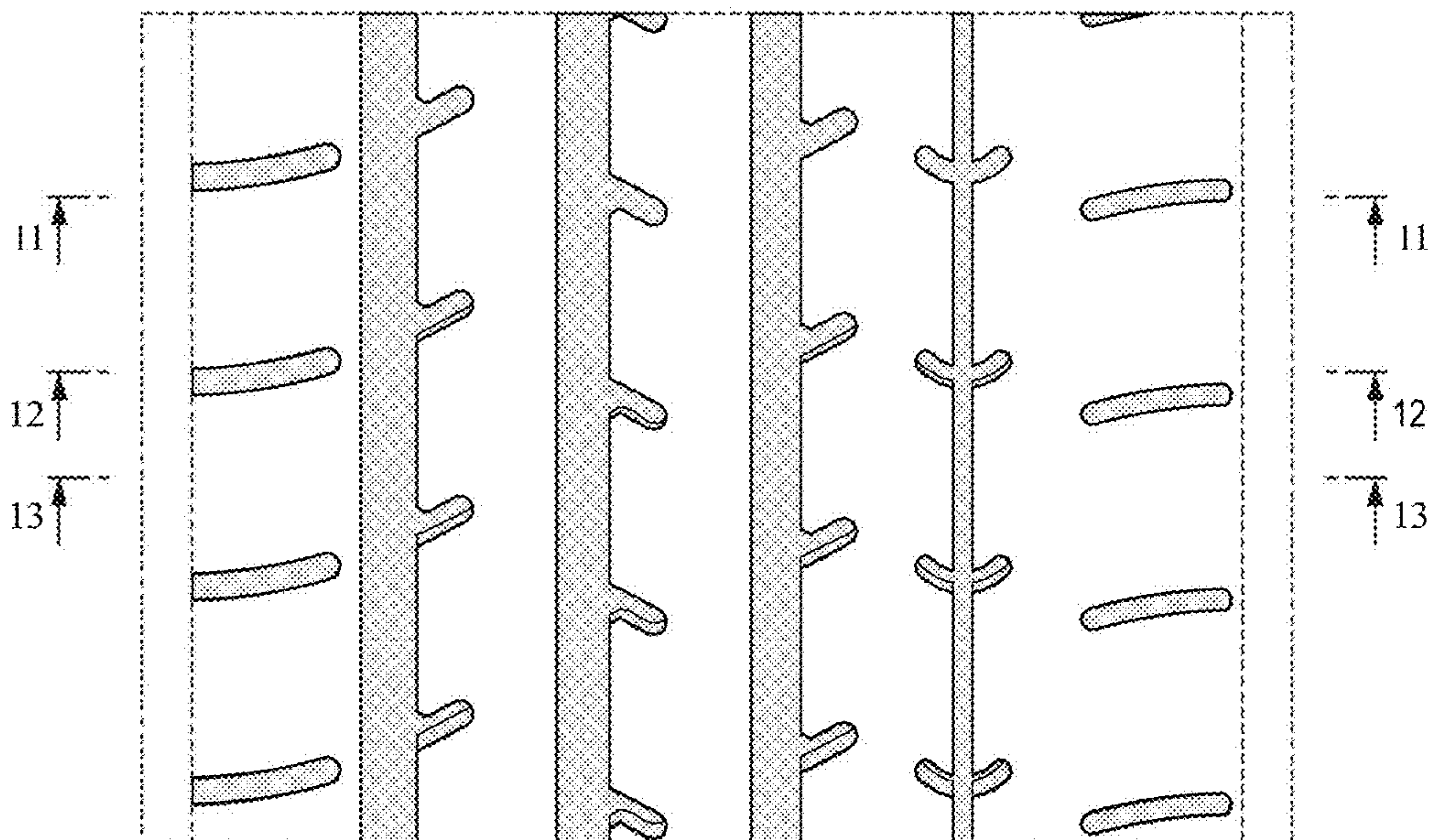
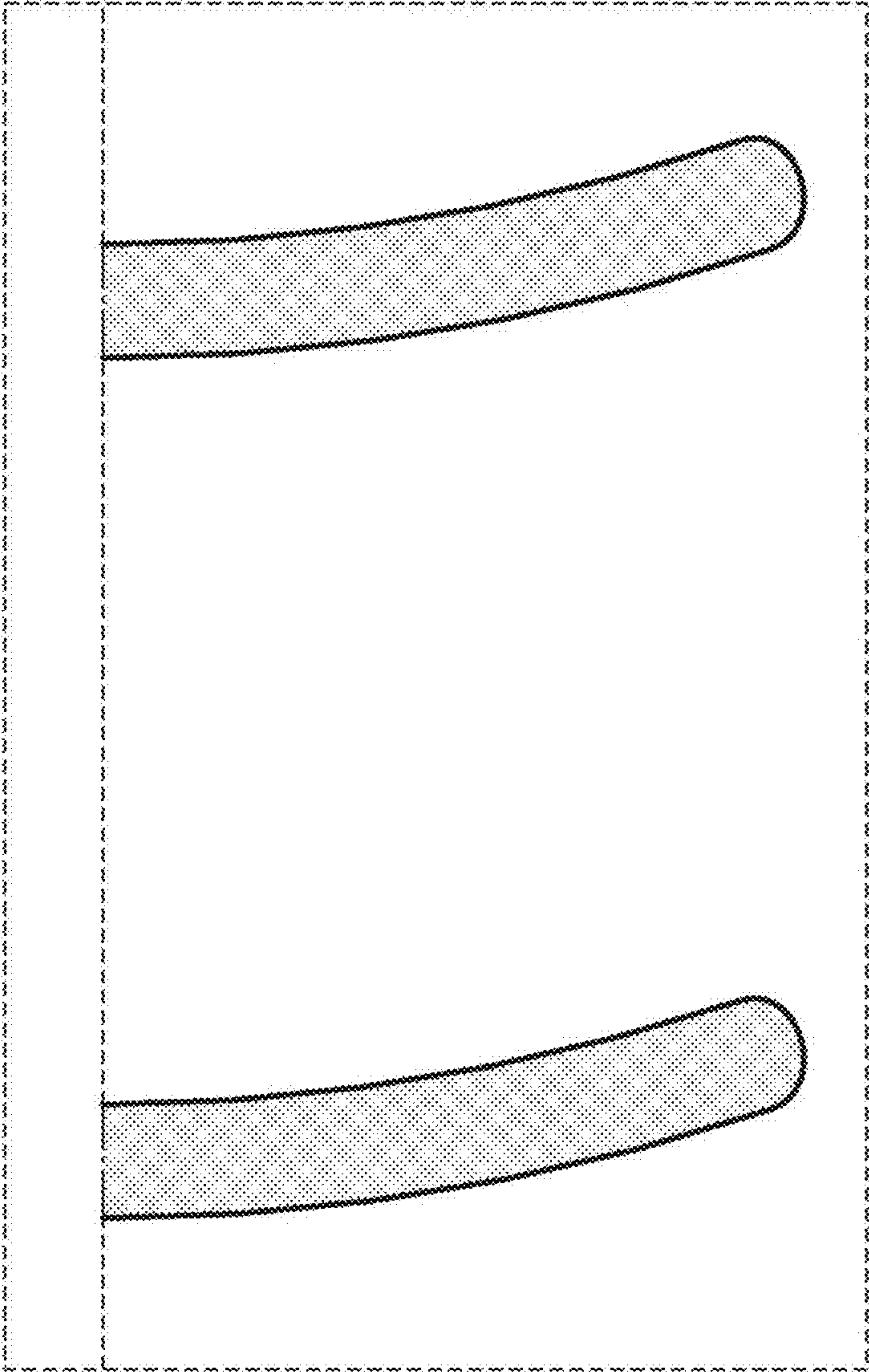


FIG. 9

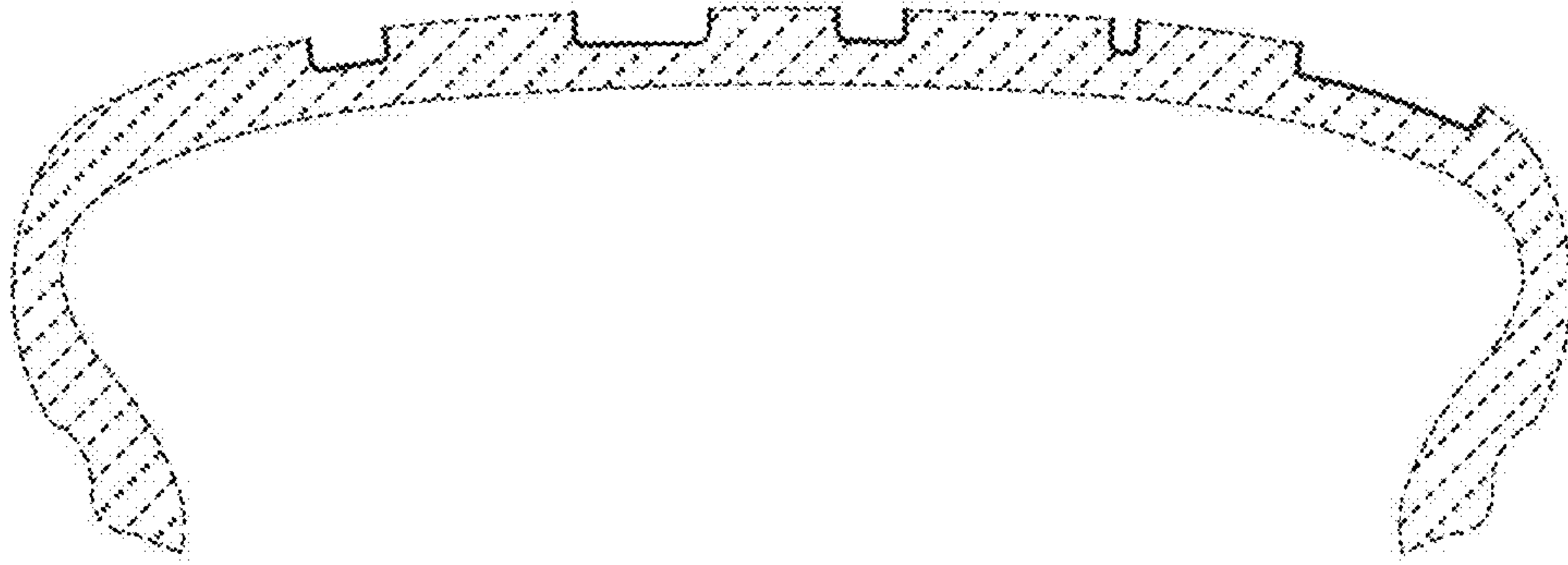




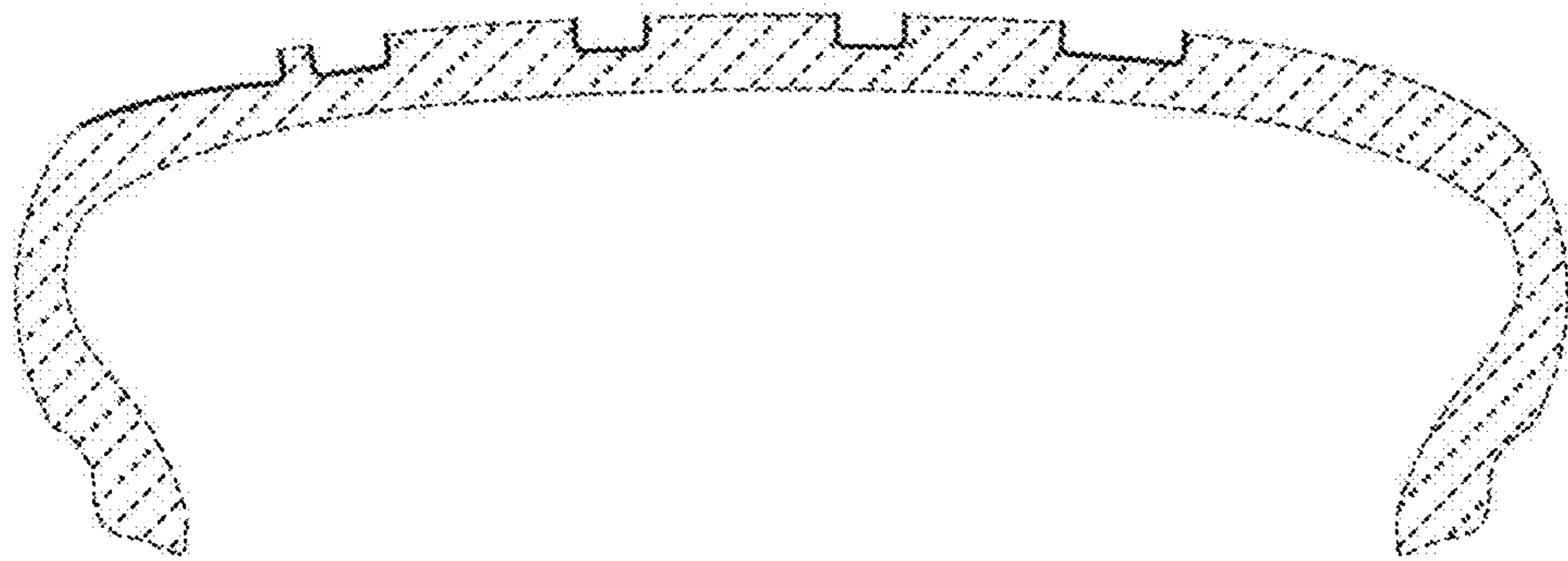
**FIG. 10**



**FIG. 11**



**FIG. 12**



**FIG. 13**

