

US00D811311S

(12) **United States Design Patent** (10) **Patent No.:** **US D811,311 S**  
**Badillo** (45) **Date of Patent:** **\*\* Feb. 27, 2018**

- (54) **VEHICLE RACK**
- (71) Applicant: **Intelligent Designs 2000 Corp.**,  
Aurora, CO (US)
- (72) Inventor: **Paul Badillo**, Littleton, CO (US)
- (73) Assignee: **INTELLIGENT DESIGNS 2000**  
**CORP.**, Aurora, CO (US)
- (\*\*) Term: **15 Years**
- (21) Appl. No.: **29/534,977**
- (22) Filed: **Aug. 3, 2015**
- (51) **LOC (11) Cl.** ..... **12-16**
- (52) **U.S. Cl.**  
USPC ..... **D12/412**
- (58) **Field of Classification Search**  
USPC ..... D12/412, 406, 413, 414, 414.1; D6/552;  
D3/304-306  
CPC .... B60R 9/00; B60R 9/02; B60R 9/04; B60R  
9/08; B60R 9/055; B60R 9/058; B60R  
9/06; B60R 9/065; B60R 9/10; B60R  
9/12  
See application file for complete search history.

- 3,260,929 A 7/1966 Hedgepeth
- 3,330,454 A 7/1967 Bott
- 3,531,006 A 9/1970 Farchmin
- 3,765,713 A 10/1973 Suitt
- 3,902,642 A 9/1975 McNeece
- 4,336,897 A 6/1982 Luck
- 4,350,471 A 9/1982 Lehman
- 4,817,834 A 4/1989 Weiler
- 4,948,024 A 8/1990 Warner et al.
- 5,171,083 A 12/1992 Rich
- 5,381,939 A 1/1995 Tippets
- D359,134 S 6/1995 Toews
- 5,560,525 A 10/1996 Grohmann et al.
- D406,557 S 3/1999 Bentley
- D413,562 S 9/1999 Van Dusen et al.

(Continued)

**OTHER PUBLICATIONS**

U.S. Appl. No. 29/535,865, filed Aug. 11, 2015, Badillo.  
(Continued)

*Primary Examiner* — Katrina A Betton  
(74) *Attorney, Agent, or Firm* — Sheridan Ross PC

(57) **CLAIM**

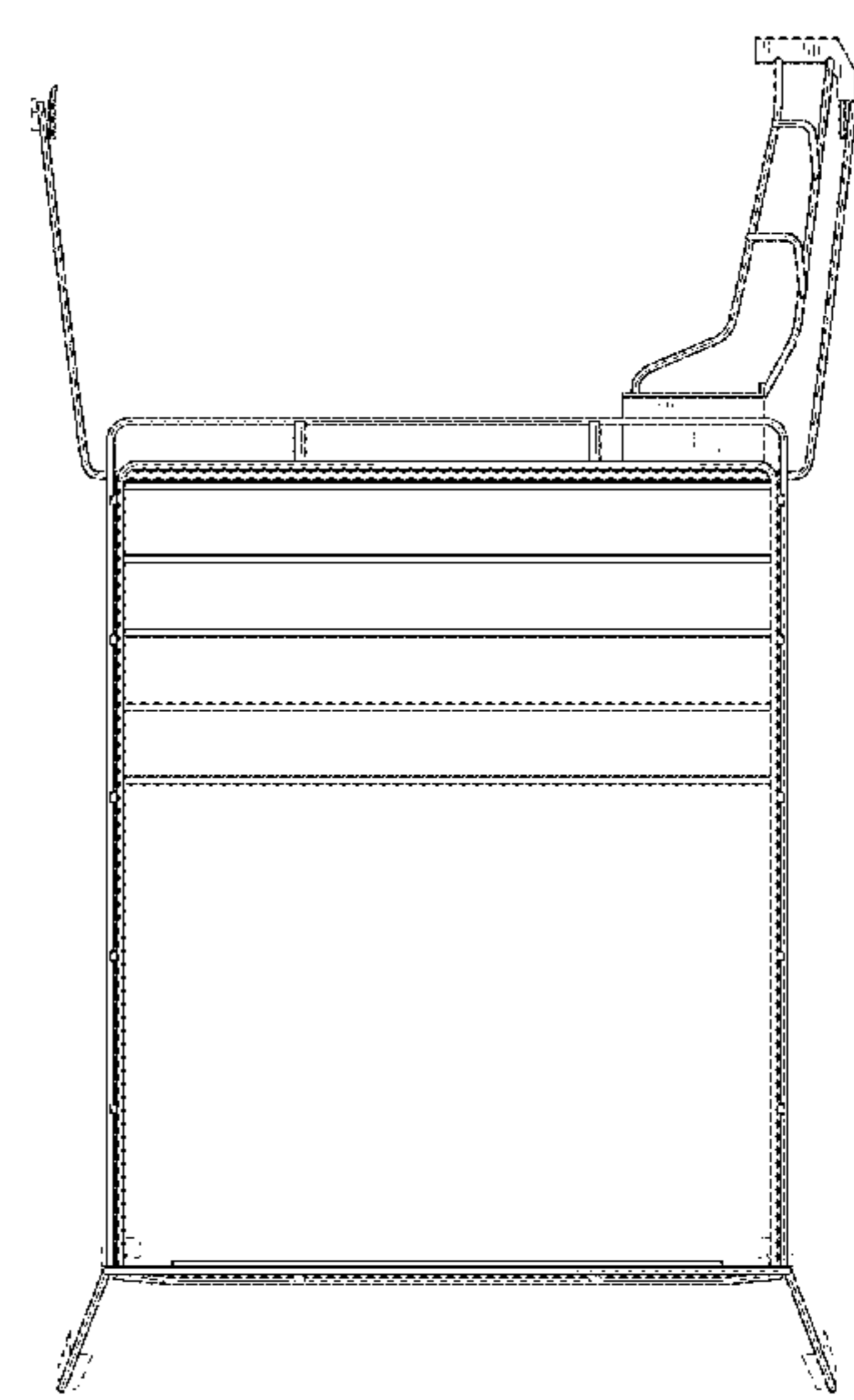
The ornamental design for a vehicle rack, as shown and described.

**DESCRIPTION**

FIG. 1 is a perspective view of a rack for a sport utility vehicle;  
FIG. 2 is a front elevation view thereof;  
FIG. 3 is a rear elevation view thereof;  
FIG. 4 is a right elevation view thereof;  
FIG. 5 is a left elevation view thereof;  
FIG. 6 is a top plan view thereof; and,  
FIG. 7 is a bottom plan view thereof.  
In the drawings, the broken lines in FIG. 1 depict a vehicle, and the broken lines in FIGS. 2-7 depict portions of the article that form no part of the claimed design.

**1 Claim, 7 Drawing Sheets**

- (56) **References Cited**
- U.S. PATENT DOCUMENTS
- 704,436 A 7/1902 Cluff
- 744,113 A 11/1903 Rye
- 1,564,776 A 12/1925 Green
- 1,606,954 A 11/1926 Moen et al.
- 2,387,779 A 10/1945 Strauss
- 2,492,841 A 12/1949 Burkey
- 2,521,815 A 9/1950 Will
- 2,663,472 A 12/1953 Belgau
- 2,784,888 A 3/1957 Lecanu-Deschamps
- 2,800,264 A 7/1957 McFadyen
- 2,967,635 A 1/1961 Barnett
- 3,158,301 A 11/1964 Hedgepeth
- 3,215,323 A 11/1965 Bonitt



(56)

References Cited

U.S. PATENT DOCUMENTS

6,003,633 A 12/1999 Roison  
 6,015,074 A 1/2000 Snavely et al.  
 D422,553 S 4/2000 VonDuyke  
 6,116,378 A 9/2000 Barrow  
 D434,364 S 11/2000 Bauer et al.  
 6,152,339 A 11/2000 Kreisler  
 D434,718 S 12/2000 Kreisler  
 D435,510 S 12/2000 Quidort  
 6,179,180 B1 1/2001 Walker et al.  
 D442,289 S 5/2001 Ziaylek et al.  
 6,425,508 B1 7/2002 Cole et al.  
 D463,358 S \* 9/2002 Thomas ..... D12/406  
 D470,451 S 2/2003 Bushart et al.  
 6,561,397 B1 5/2003 Bauer et al.  
 6,581,813 B2 6/2003 Bove et al.  
 D477,562 S \* 7/2003 McCoy ..... D12/406  
 6,604,606 B1 8/2003 McDougal et al.  
 D479,884 S 9/2003 Berryman  
 D481,003 S 10/2003 Bauer et al.  
 D490,163 S 5/2004 Thurston  
 6,739,349 B2 5/2004 Kastenschmid et al.  
 6,755,332 B2 6/2004 Crane et al.  
 D508,015 S 8/2005 Badillo  
 D512,783 S 12/2005 Badillo  
 D520,938 S 5/2006 Badillo  
 7,055,454 B1 6/2006 Whiting et al.  
 D537,404 S 2/2007 Bauer et al.  
 7,226,266 B2 6/2007 Henderson et al.  
 7,249,927 B2 7/2007 Wooten et al.  
 D549,838 S 8/2007 Badillo  
 D558,123 S 12/2007 Murillo  
 D578,952 S 10/2008 Badillo  
 D603,321 S \* 11/2009 Kramer ..... D12/412  
 D621,328 S \* 8/2010 Sistare ..... D12/222  
 D624,005 S \* 9/2010 Winner ..... D12/412  
 D638,333 S \* 5/2011 Freeman ..... D12/412  
 8,496,146 B2 7/2013 Badillo  
 D765,577 S \* 9/2016 Kmita ..... D12/412  
 D772,783 S \* 11/2016 Schleef ..... D12/412  
 2005/0082326 A1 4/2005 Badillo  
 2005/0092796 A1 5/2005 Essig

2005/0095102 A1 5/2005 Watson  
 2011/0101056 A1 5/2011 Barkey  
 2013/0299538 A1 11/2013 Badillo

OTHER PUBLICATIONS

U.S. Appl. No. 29/535,597, filed Aug. 12, 2015, Badillo.  
 U.S. Appl. No. 29/542,039, filed Oct. 9, 2015, Badillo.  
 U.S. Appl. No. 29/543,871, filed Oct. 29, 2015, Badillo.  
 Advertisement: Yakima Spare Tire Carrier, Cargo Basket for Roof Racks, available at [http://www.rackoutfitters.com/catalog/yakima\\_spare\\_tire\\_carrier\\_1836640.htm](http://www.rackoutfitters.com/catalog/yakima_spare_tire_carrier_1836640.htm), dated Jul. 7, 2003, 1 page.  
 Advertisement: Thule 840-Playpen Basket, Cargo Basket for Roof Racks, available at [http://www.rackoutfitters.com/catalog/thule\\_840\\_-\\_playpen\\_basket\\_1885452.htm](http://www.rackoutfitters.com/catalog/thule_840_-_playpen_basket_1885452.htm), dated Jul. 7, 2003, 1 page.  
 Advertisement: SURCO, Products, Inc., "Basket rack-it just fiat out carries what you need to take," available at [http://www.everythingsuv.com/surco\\_safari\\_roof\\_racks-esuv.asp](http://www.everythingsuv.com/surco_safari_roof_racks-esuv.asp), dated Jul. 7, 2003, 10 pages.  
 Advertisement: KargoMaster, Kargo Master Safari Racks, available at [http://www.kargomaster.com/jeep23.asp?rack=sport\\_jeep](http://www.kargomaster.com/jeep23.asp?rack=sport_jeep), Jul. 7, 2007, 1 page.  
 Advertisement: KargoMaster, The Bushman Steel Rack, available at <http://www.kargomaster.com/bushman.asp?type=Jeep>, dated Jul. 7, 2003, 1 page.  
 Advertisement: KargoMaster, Seregenti Telescoping Steel Rack, available at <http://www.kargomaster.com/seregenti.asp?type=Jeep>, dated Jul. 7, 2003, 1 page.  
 Advertisement: Bauer Vehicle Gear Roof Racks, Roof Storage, Bike Storage & Pet Barriers from Eve, available at [http://www.everythingsuv.com/bvg\\_products-esuv.asp](http://www.everythingsuv.com/bvg_products-esuv.asp), Jul. 7, 2003, 2 pages.  
 Advertisement: Congo Cage Jeep Rack, available at <http://www.kargomaster.com/item.asp?id=62>, printed Apr. 17, 2009, 13 pages.  
 Advertisement: 921—Daves Rack, Olympic 4x4 Products for over 60 years, available at <http://olympic4X4products.com/utility-racks/921-daves-rack>, printed Jan. 14, 2011, 3 pages.  
 "Full Length 4th Gen Rack," Whitson Metalworks, 2015, retrieved from <http://web.archive.org/web/20150704141048/http://whitsonmetalworks.com/product/full-length-4th-gen-rack/>, retrieved on Dec. 10, 2015, 5 pages.

\* cited by examiner

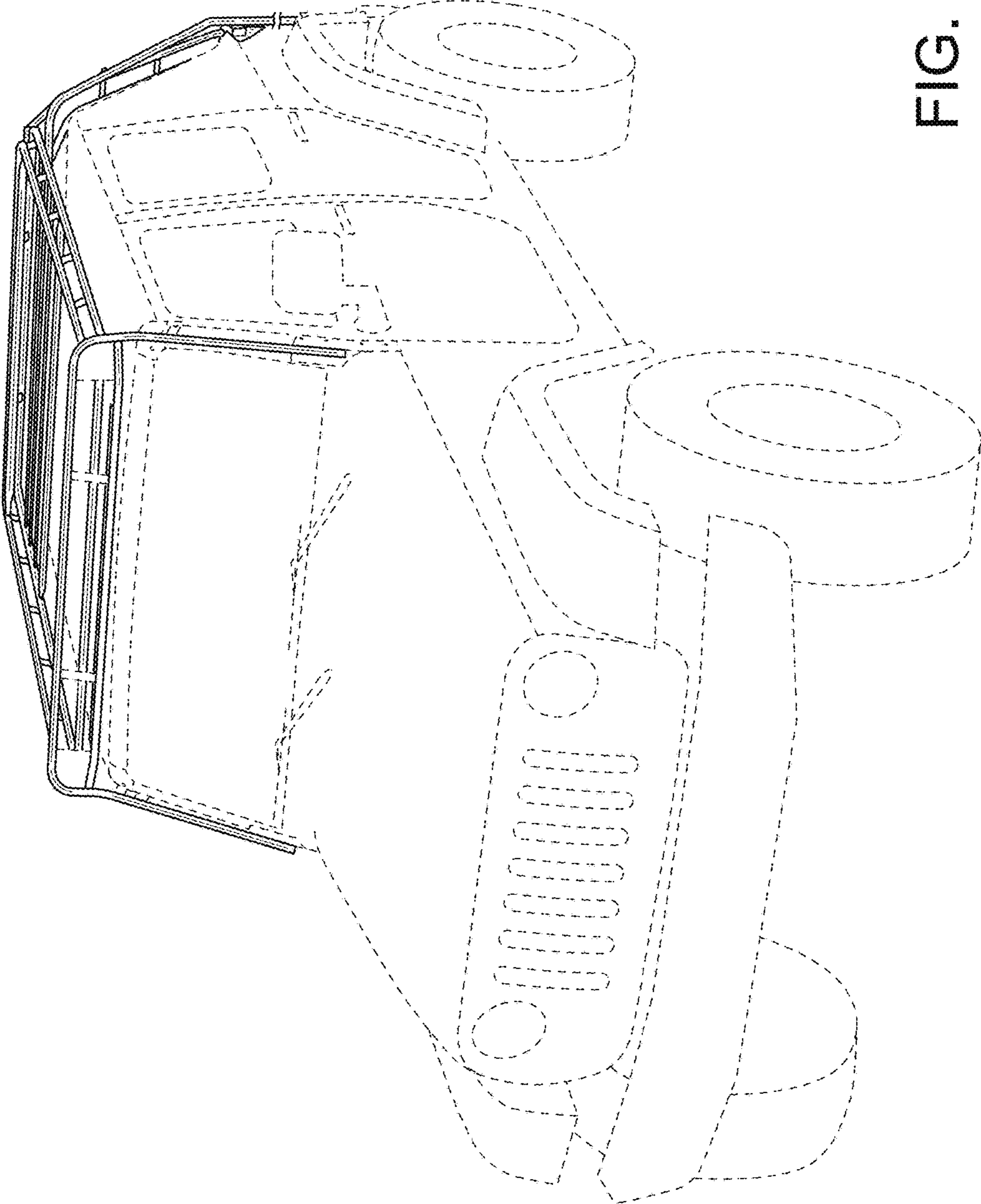


FIG. 1

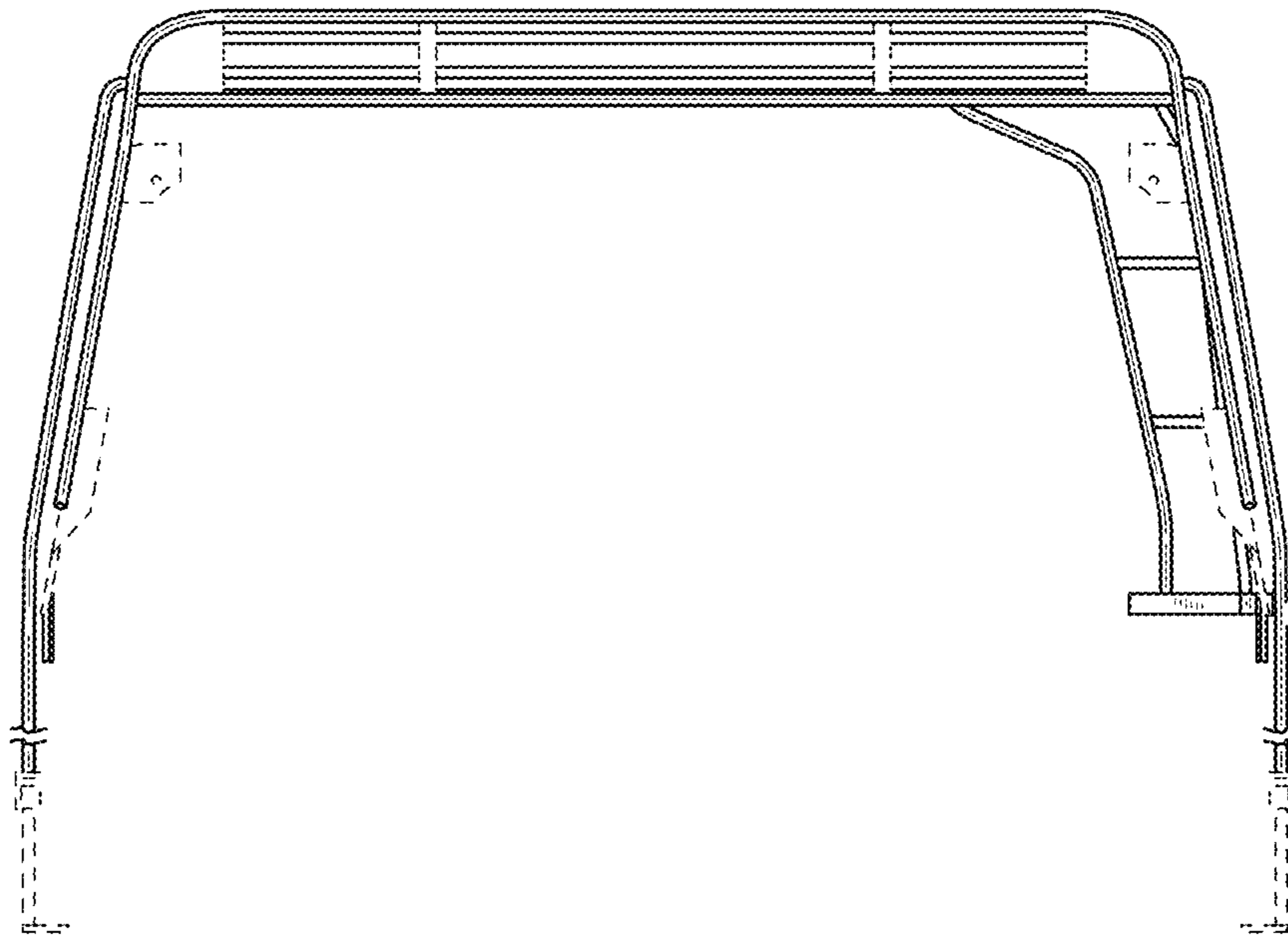


FIG. 2

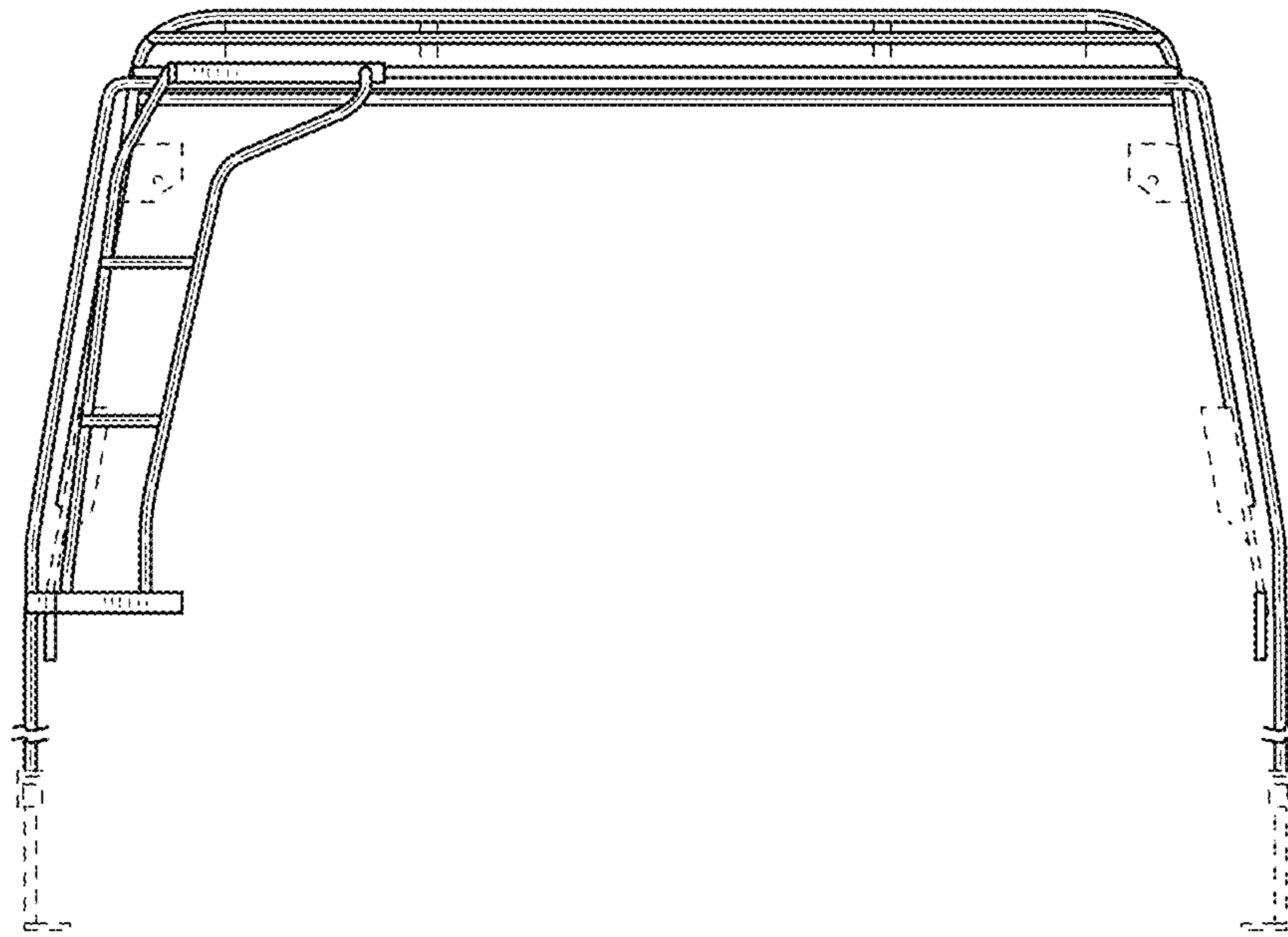


FIG. 3

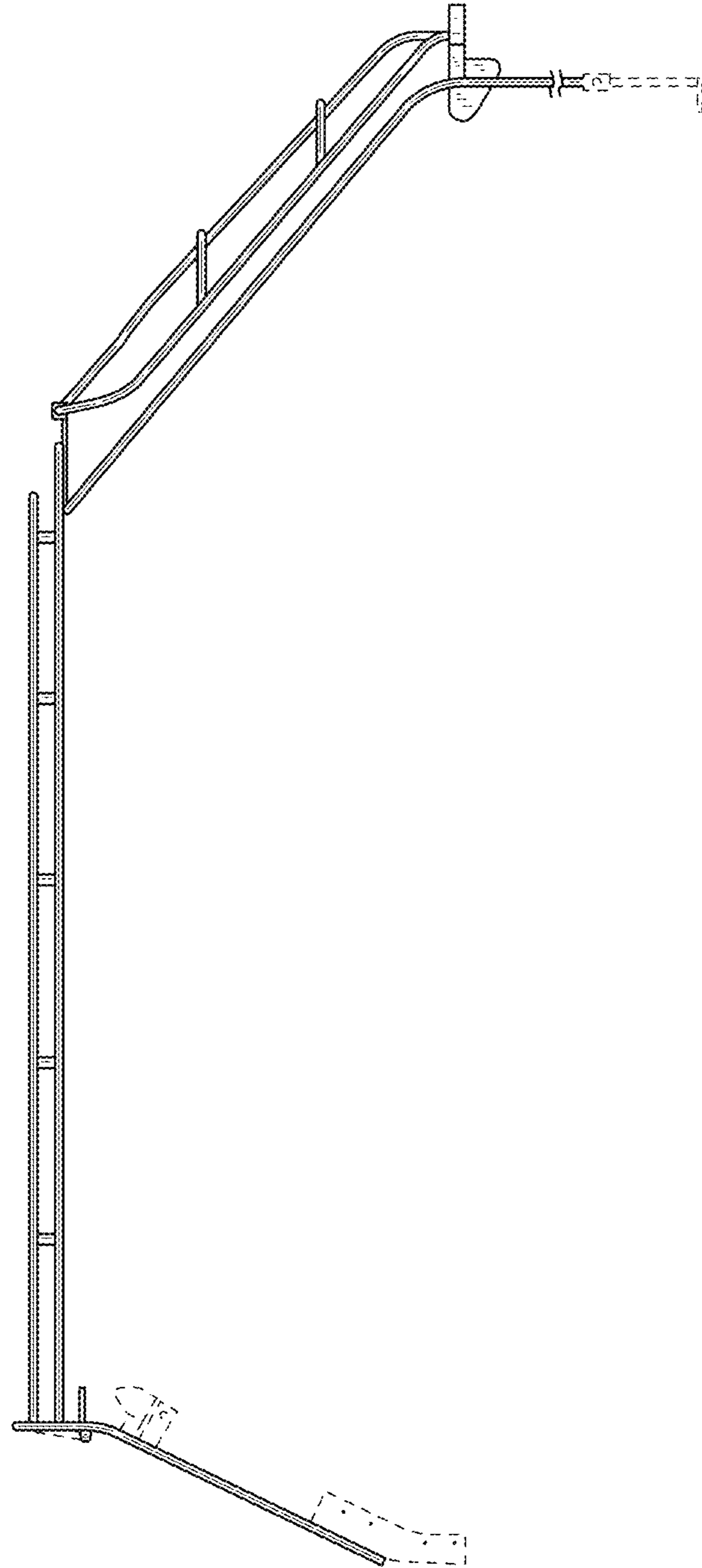


FIG. 4

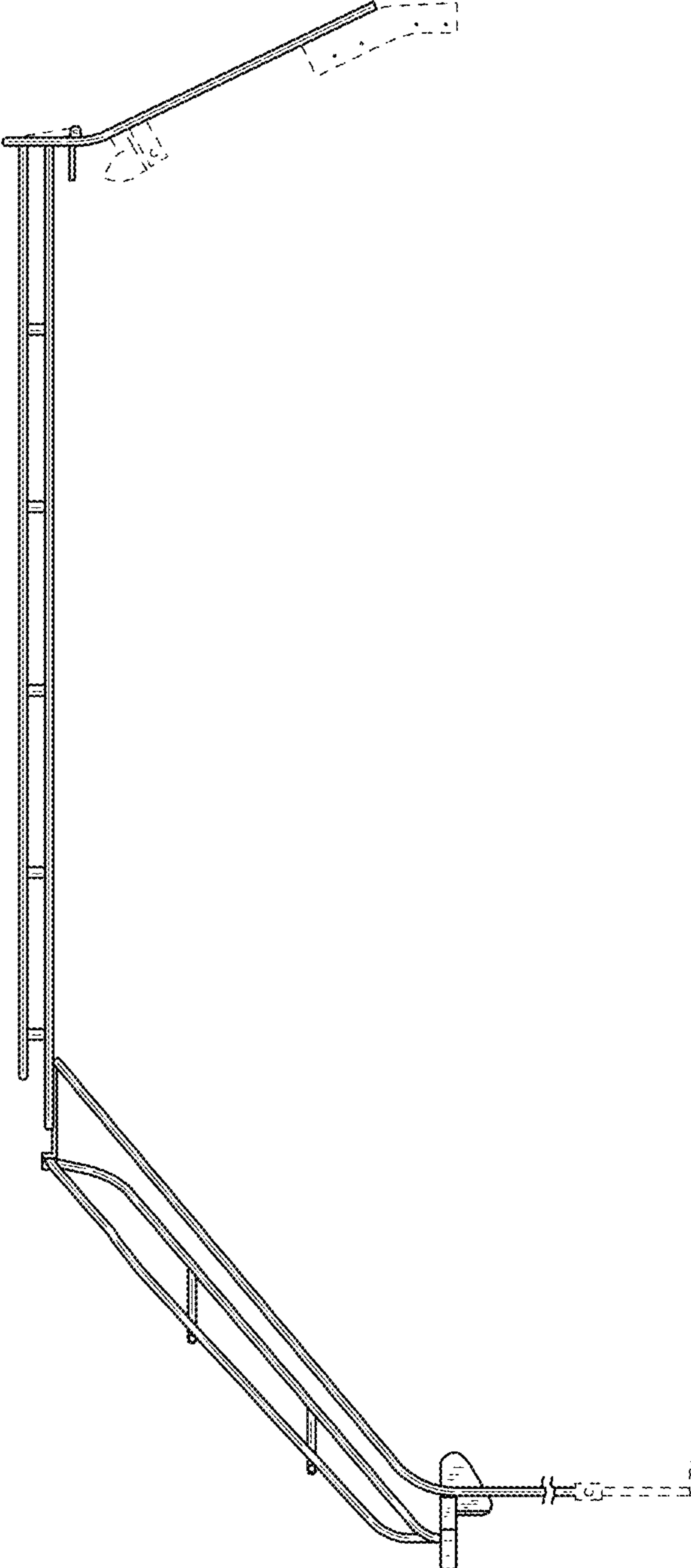


FIG. 5

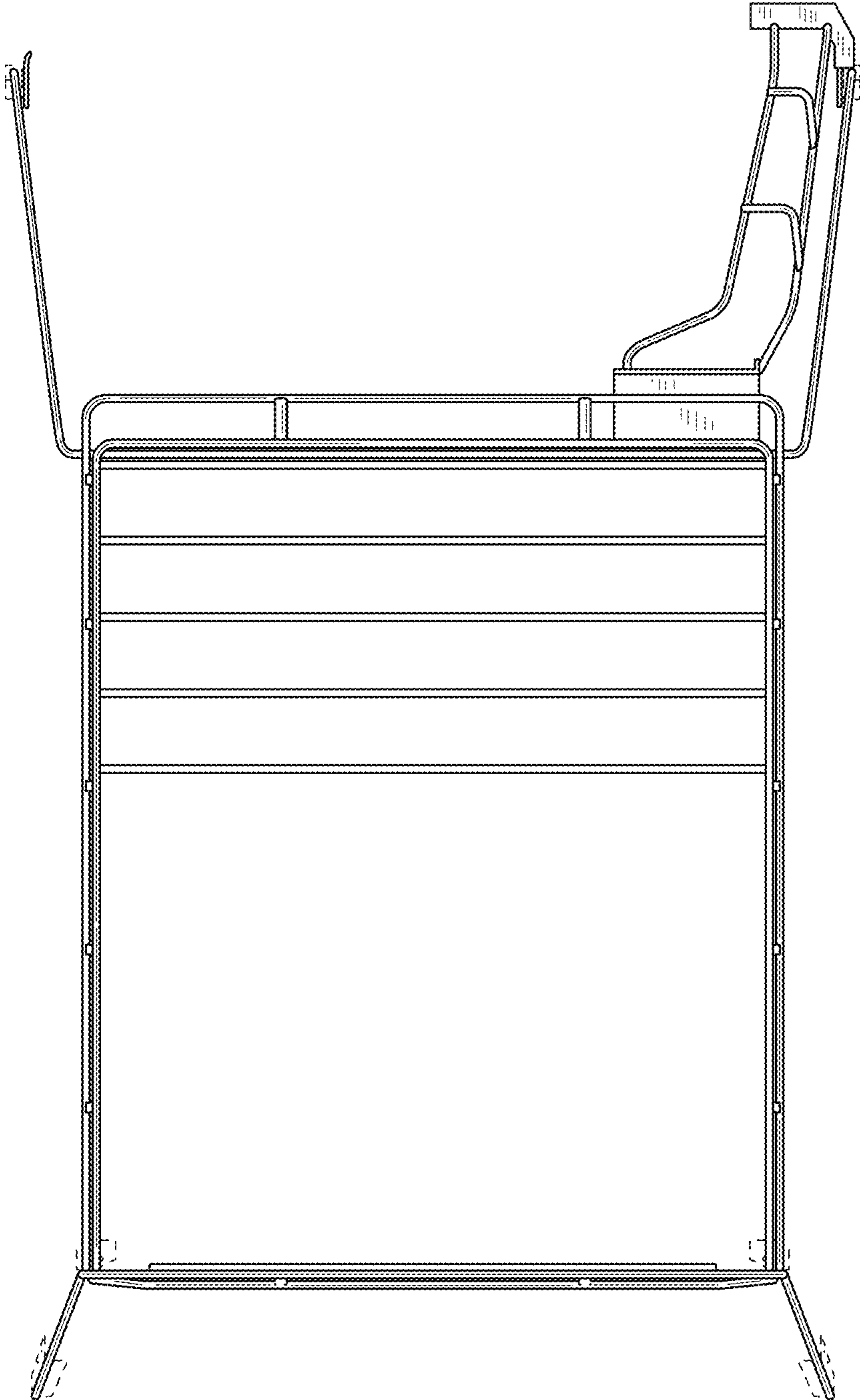


FIG.6



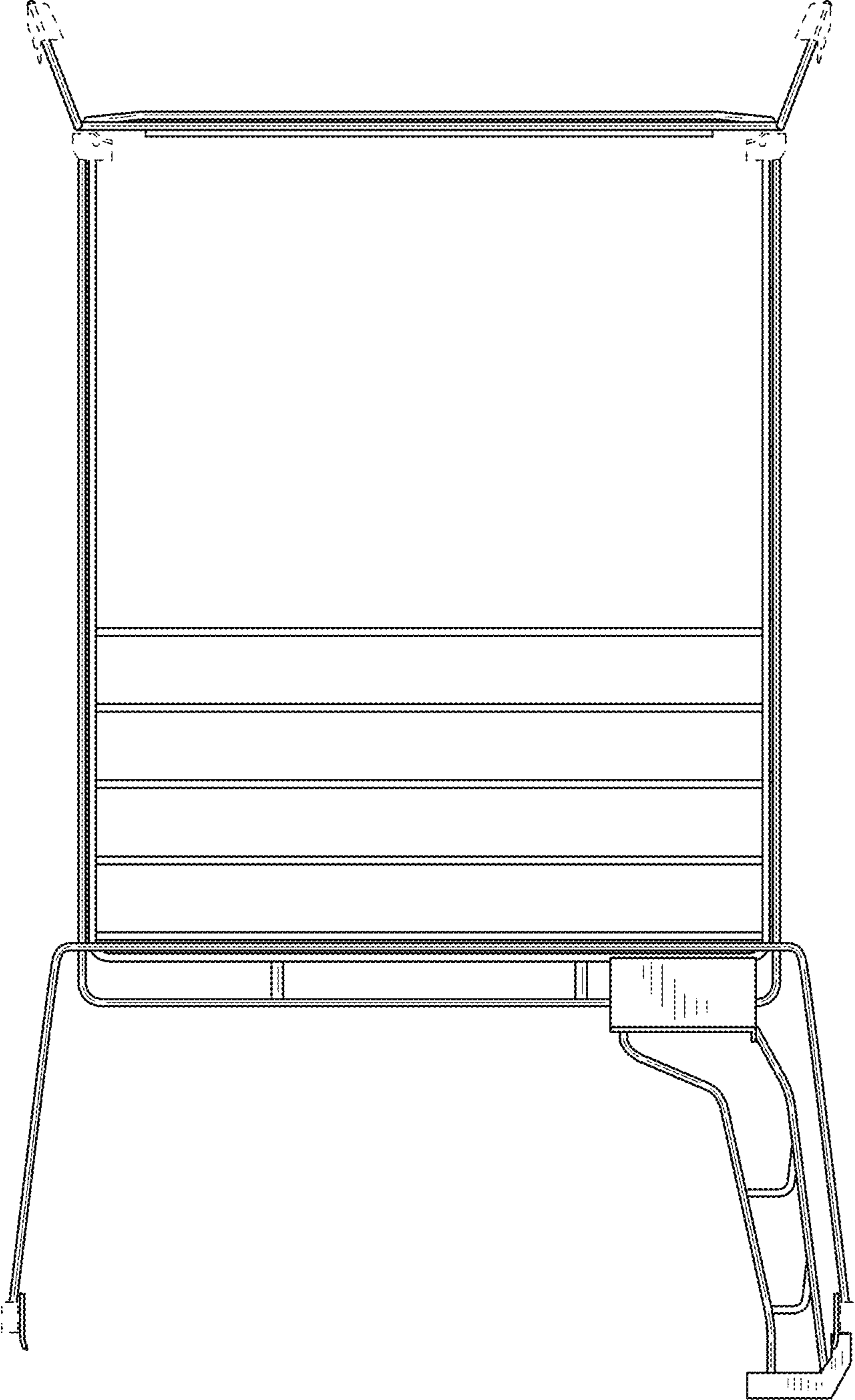


FIG. 7