



US00D811308S

(12) **United States Design Patent**  
**Kim**

(10) **Patent No.:** **US D811,308 S**

(45) **Date of Patent:** **\*\* Feb. 27, 2018**

(54) **FIXING BRACKET OF ROOM MIRROR FOR A CAR**

(71) Applicant: **Jae Hwa Co, Ltd.**, Bucheon-si, Gyeonggi-do (KR)

(72) Inventor: **Nam Sub Kim**, Seoul (KR)

(73) Assignee: **JAE HWA CO, LTD.**, Bucheon-si (KR)

(\*\*) Term: **15 Years**

(21) Appl. No.: **29/586,559**

(22) Filed: **Dec. 5, 2016**

(30) **Foreign Application Priority Data**

Aug. 22, 2016 (KR) ..... 30-2016-0040841

(51) **LOC (11) Cl.** ..... **12-06**

(52) **U.S. Cl.**  
USPC ..... **D12/223**

(58) **Field of Classification Search**  
USPC ..... D8/71, 349, 354, 373, 380, 381, 382, D8/394; D6/702, 512, 572, 573, 587, D6/320, 325, 328; D12/223, 415, 420, D12/187, 188, 189; D14/217, 251, 256  
CPC .... B60R 1/04; B60R 1/08; B60R 1/12; B60R 2011/0033; B60R 2001/1292; B60R 2001/1215

See application file for complete search history.

(56) **References Cited**

**U.S. PATENT DOCUMENTS**

4,486,075 A \* 12/1984 Cohen ..... B60R 1/081 359/840  
4,930,742 A \* 6/1990 Schofield ..... B60R 1/04 248/225.11  
D375,718 S \* 11/1996 Lazzeroni ..... D12/114  
5,820,097 A \* 10/1998 Spooner ..... B60R 1/04 248/475.1

6,812,854 B1 \* 11/2004 Edwin ..... B60R 1/12 340/901  
D590,700 S \* 4/2009 Brockington ..... D8/373  
D671,390 S \* 11/2012 Ibarra ..... D8/349  
D712,727 S \* 9/2014 Geiger ..... D8/382  
D727,719 S \* 4/2015 Ribeiro ..... D8/382  
D747,225 S \* 1/2016 Decook ..... D10/60  
2001/0012165 A1 \* 8/2001 Miyabukuro ..... B60R 1/04 359/879  
2009/0096235 A1 \* 4/2009 Tanaka ..... B60R 1/04 296/1.11  
2011/0141595 A1 \* 6/2011 Carnevali ..... B60R 1/04 359/871  
2012/0098718 A1 \* 4/2012 Yoo ..... B60R 1/12 343/713

(Continued)

*Primary Examiner* — Sandra S Snapp

*Assistant Examiner* — Ieisha N Price

(74) *Attorney, Agent, or Firm* — Birch, Stewart, Kolasch & Birch, LLP

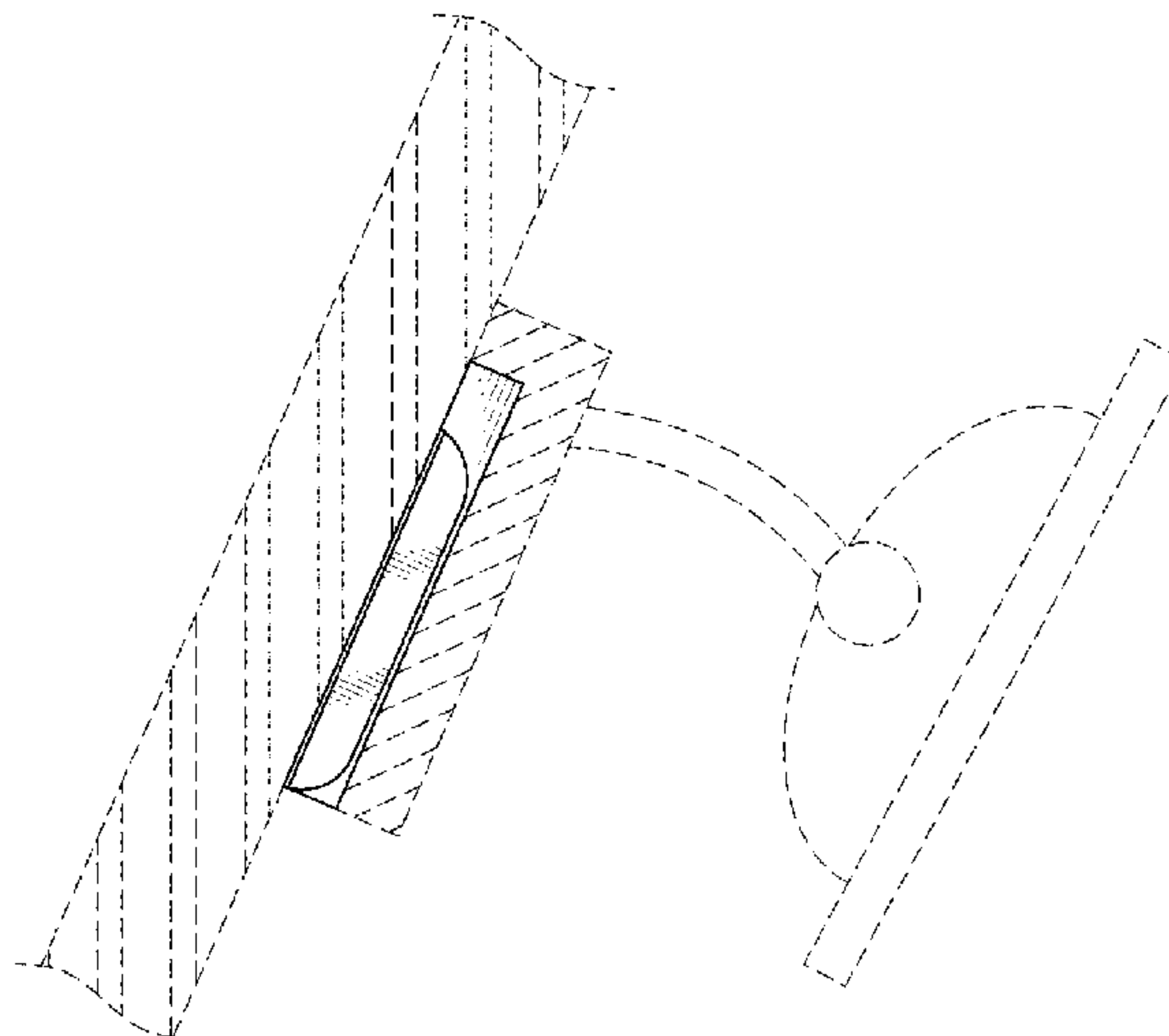
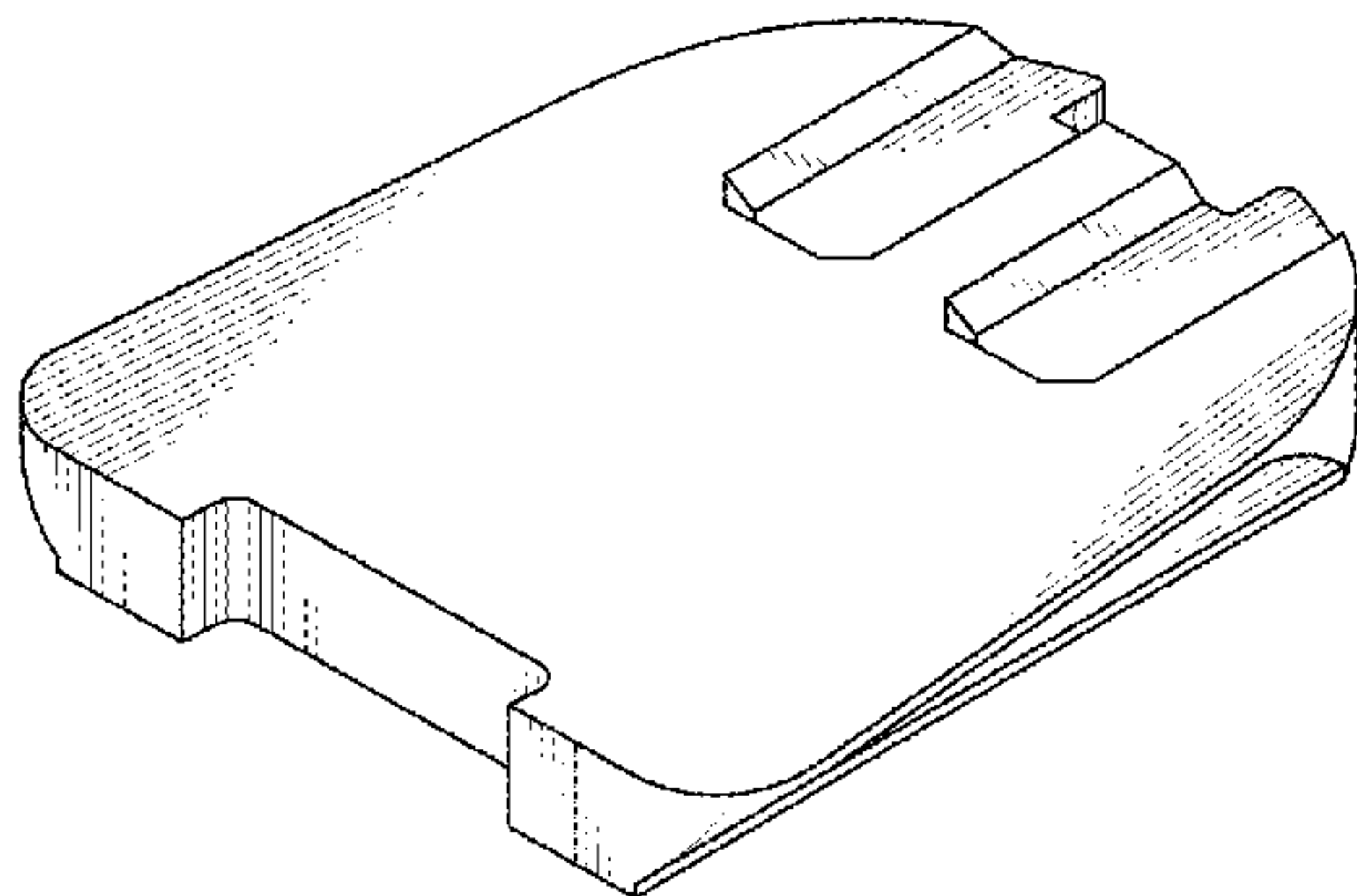
(57) **CLAIM**

The ornamental design for a fixing bracket of room mirror for a car, as shown.

**DESCRIPTION**

FIG. 1 is a front, right perspective view of the fixing bracket of room mirror for a car showing my new design; FIG. 2 is a front view thereof; FIG. 3 is a rear view thereof; FIG. 4 is a left side view thereof; FIG. 5 is a right side view thereof; FIG. 6 is a top plan view thereof; FIG. 7 is a bottom plan view thereof; FIG. 8 is bottom, left perspective view; and, FIG. 9 is a view shown in use thereof. The broken lines showing of the car window and room mirror represents the environment of the claimed design and forms no part thereof.

**1 Claim, 4 Drawing Sheets**



(56)

**References Cited**

U.S. PATENT DOCUMENTS

2016/0207462 A1\* 7/2016 Maeda ..... B60R 1/04

\* cited by examiner

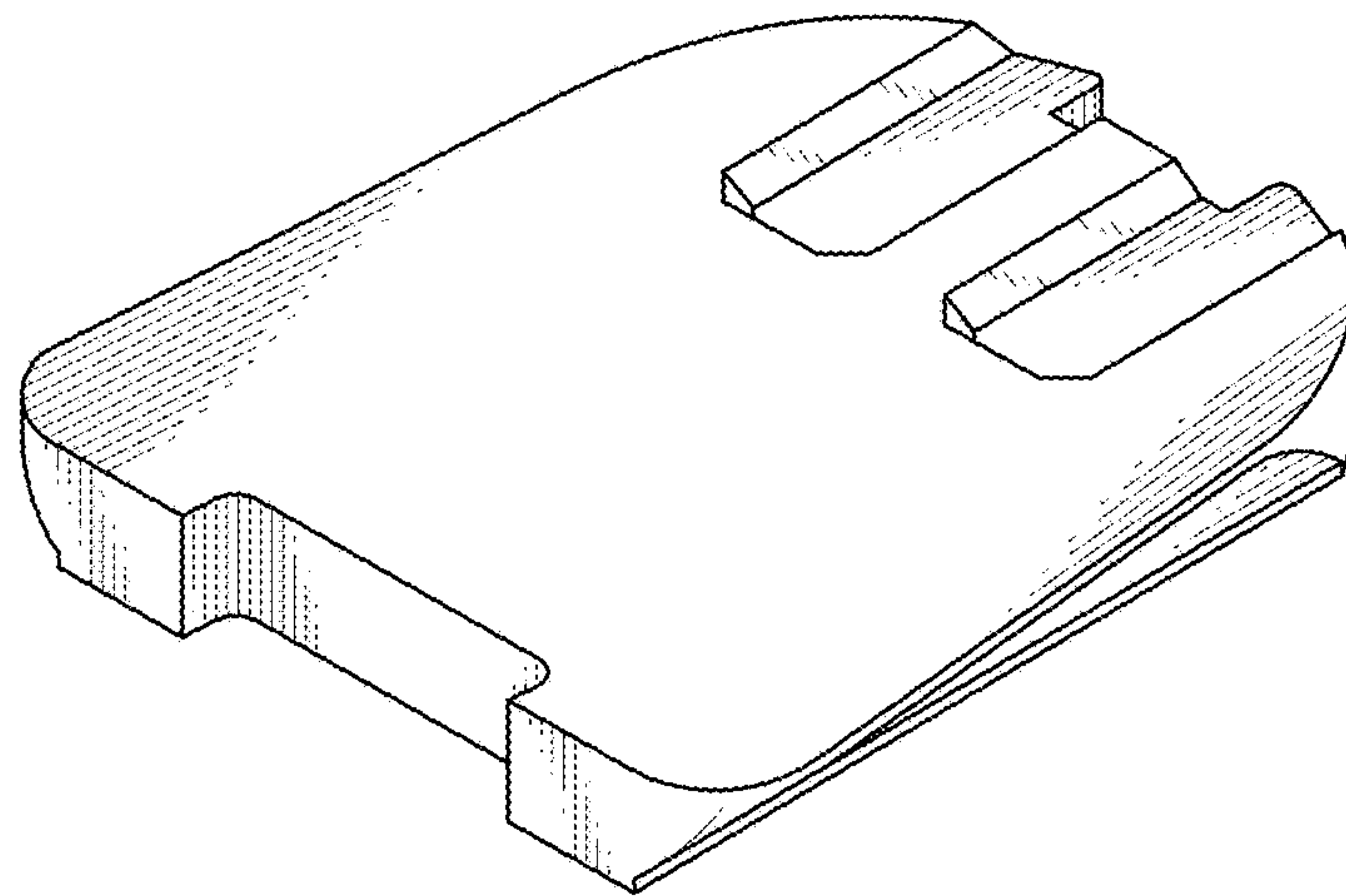


FIG.1

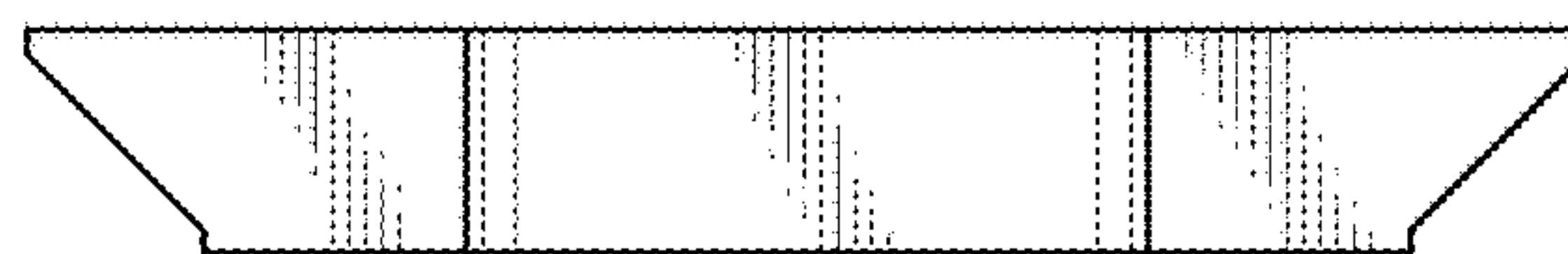


FIG.2

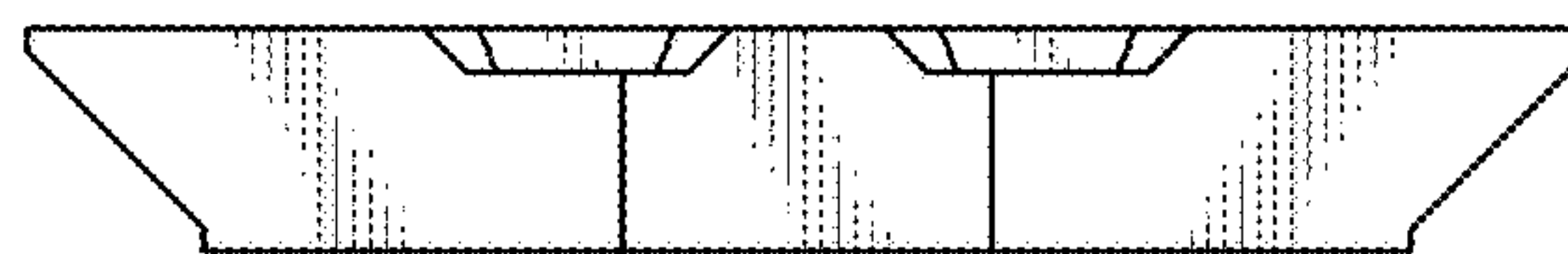


FIG.3

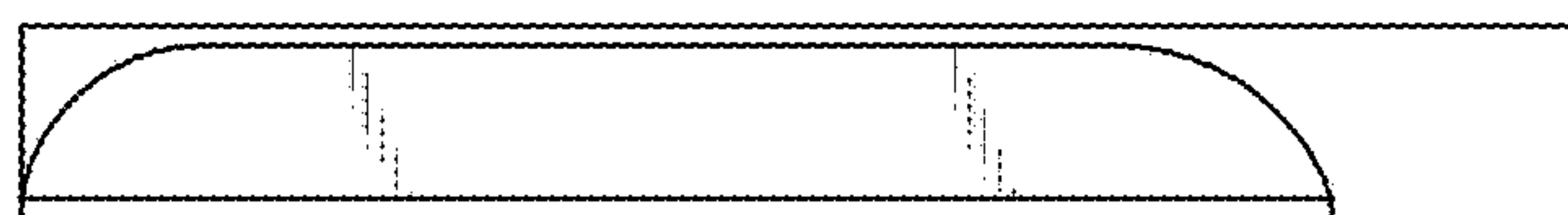


FIG.4



FIG. 5

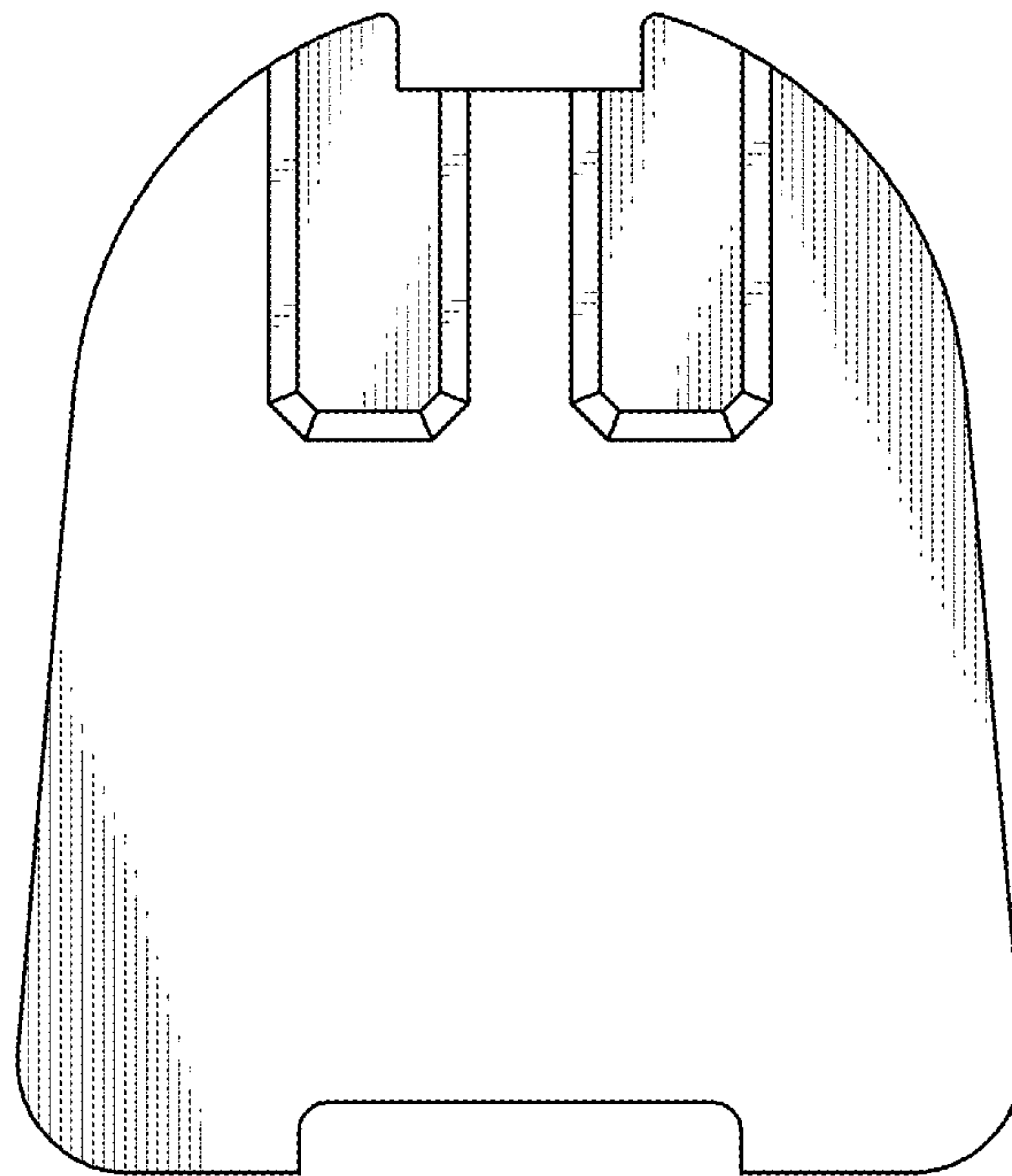


FIG. 6

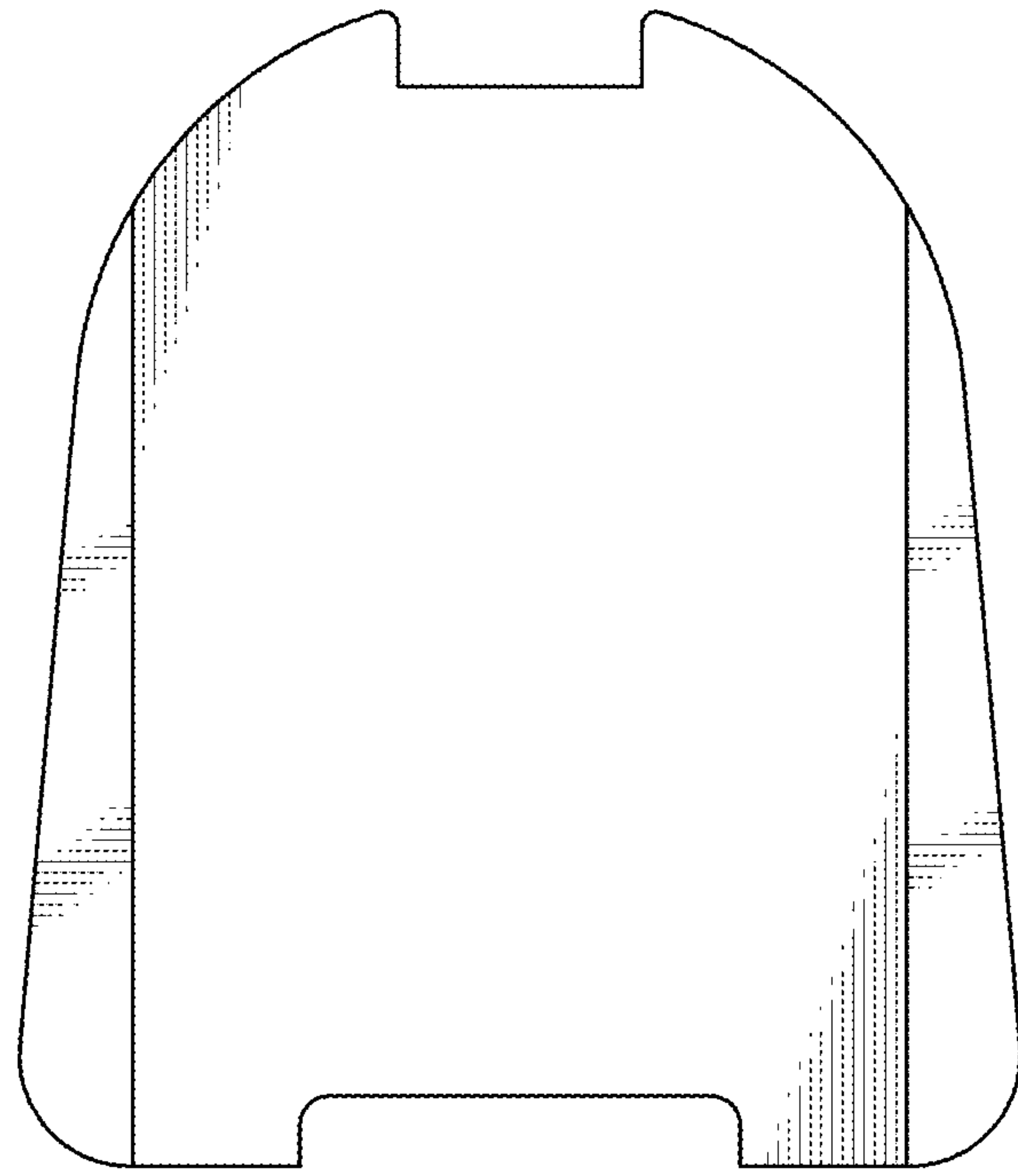


FIG. 7

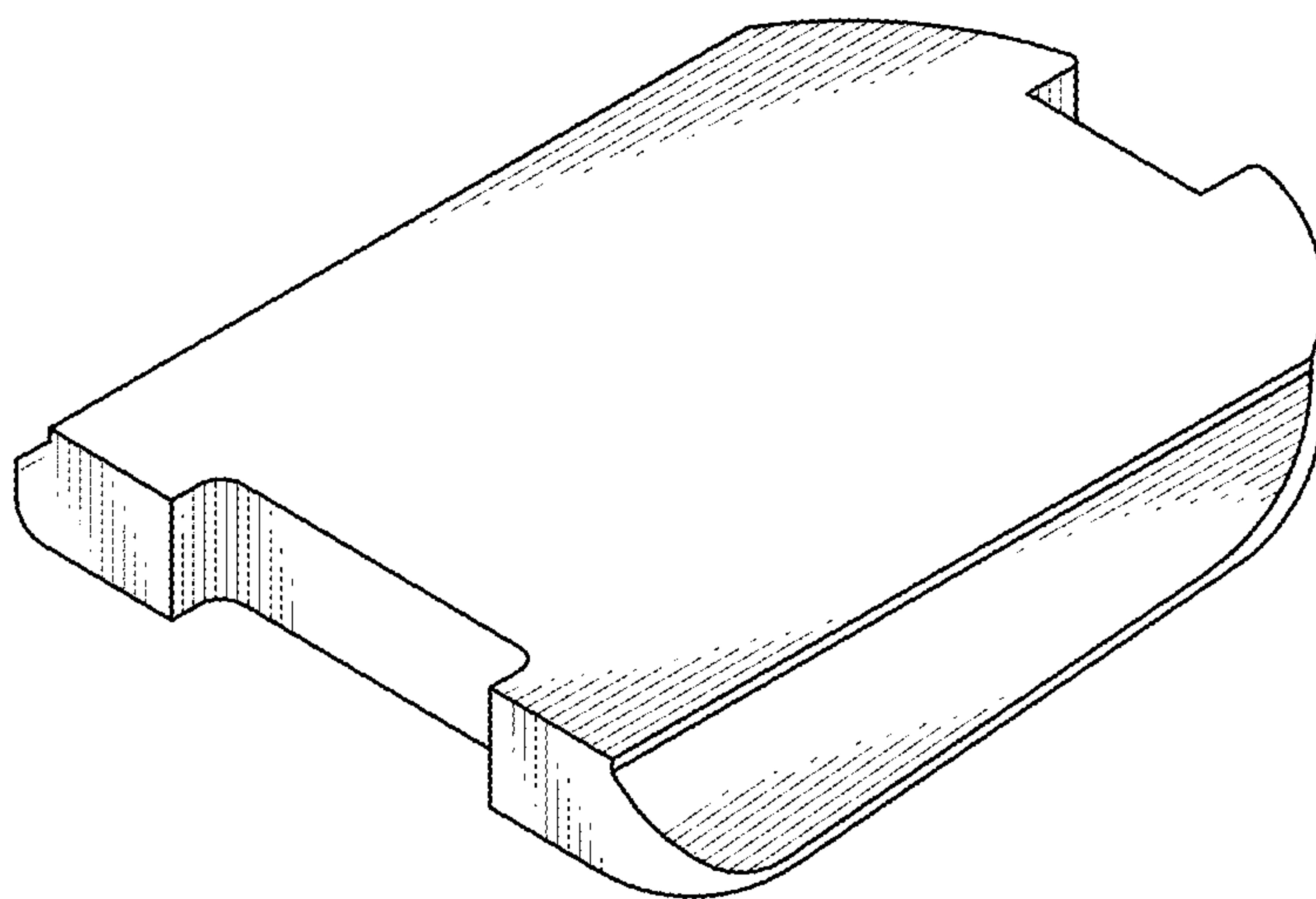


FIG. 8

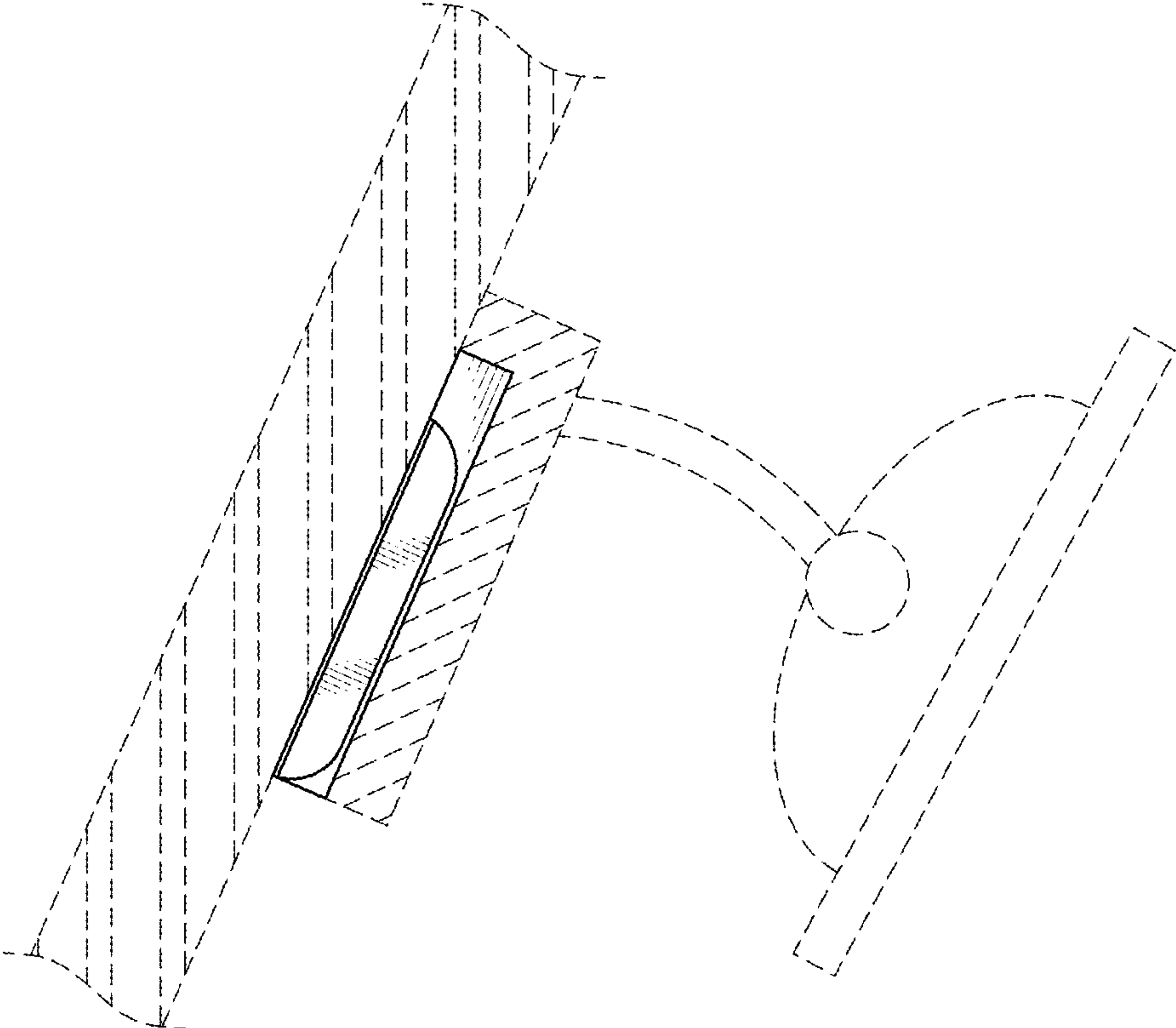


FIG.9