



US00D811306S

(12) **United States Design Patent**
Schlup, Jr.

(10) **Patent No.:** **US D811,306 S**
(45) **Date of Patent:** **** Feb. 27, 2018**

(54) **ROLL-OVER PROTECTION STRUCTURE
HAVING DIAMOND FRAME**

D783,503 S * 4/2017 Hensley D12/222
D784,899 S * 4/2017 McConnell D12/222

* cited by examiner

(71) Applicant: **Full Vision, Inc.**, Newton, KS (US)

Primary Examiner — Katrina A Betton

(72) Inventor: **Kenneth G. Schlup, Jr.**, Newton, KS
(US)

(74) *Attorney, Agent, or Firm* — Hovey Williams LLP

(73) Assignee: **Full Vision, Inc.**, Newton, KS (US)

(57) **CLAIM**

The ornamental design for a roll-over protection structure having diamond frame, as shown and described.

(**) Term: **15 Years**

DESCRIPTION

(21) Appl. No.: **29/547,319**

FIG. 1 is a rear perspective view of a roll-over protection structure having a diamond frame showing my new design; FIG. 2 is an enlarged rear perspective view of a roll-over protection structure having a diamond frame shown in FIG. 1

(22) Filed: **Dec. 2, 2015**

(51) **LOC (11) Cl.** **12-16**

(52) **U.S. Cl.**
USPC **D12/222**

(58) **Field of Classification Search**
USPC D12/222, 400, 401, 404, 406, 412, 414,
D12/223, 86, 93, 101; D6/552
CPC B60R 27/00; B60J 1/06
See application file for complete search history.

FIG. 3 is an enlarged front perspective view of the roll-over protection structure having a diamond frame shown in FIGS. 1 and 2;

FIG. 4 is a rear elevation view of the roll-over protection structure having a diamond frame shown in FIGS. 1-3;

FIG. 5 is a right side elevation view of the roll-over protection structure having a diamond frame shown in FIGS. 1-4, with the left side elevation view being a mirror image thereof;

FIG. 6 is a front elevation view of the roll-over protection structure having a diamond frame shown in FIGS. 1-5;

FIG. 7 is a top elevation view of the roll-over protection structure having a diamond frame shown in FIGS. 1-6; and, FIG. 8 is a bottom elevation view of the roll-over protection structure having a diamond frame shown in FIGS. 1-7.

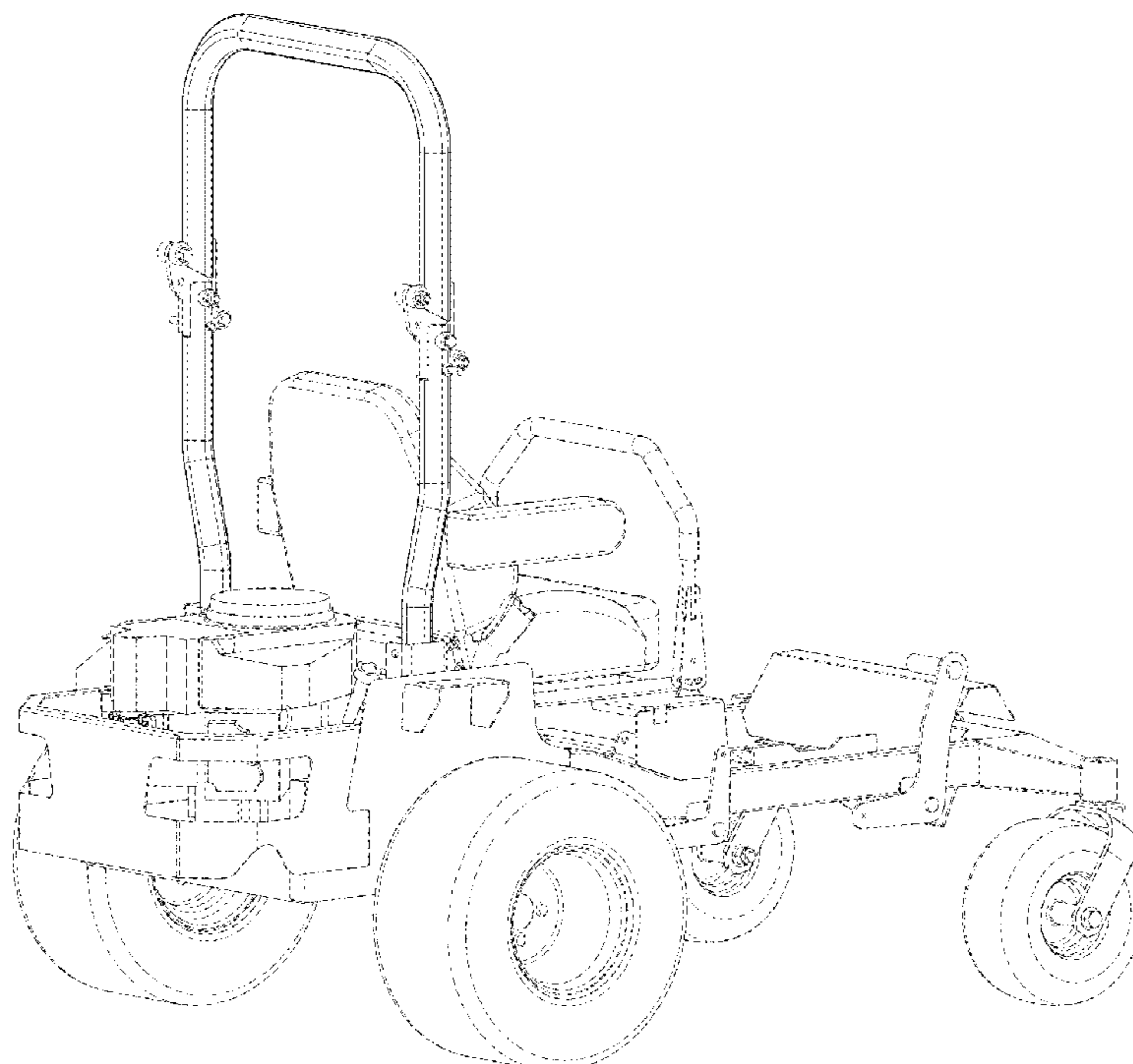
In the drawings, the broken lines depict portions of the article that form no part of the claimed design.

(56) **References Cited**

U.S. PATENT DOCUMENTS

D536,656 S	*	2/2007	Foster	D12/222
D621,328 S	*	8/2010	Sistare	D12/222
D681,542 S	*	5/2013	Oliver	D12/222
D758,281 S	*	6/2016	Galloway	D12/222
D761,713 S	*	7/2016	Hensley	D12/222
D766,157 S	*	9/2016	Reynolds	D12/222
D781,207 S	*	3/2017	Johnson	D12/222
D783,502 S	*	4/2017	Hensley	D12/222

1 Claim, 7 Drawing Sheets



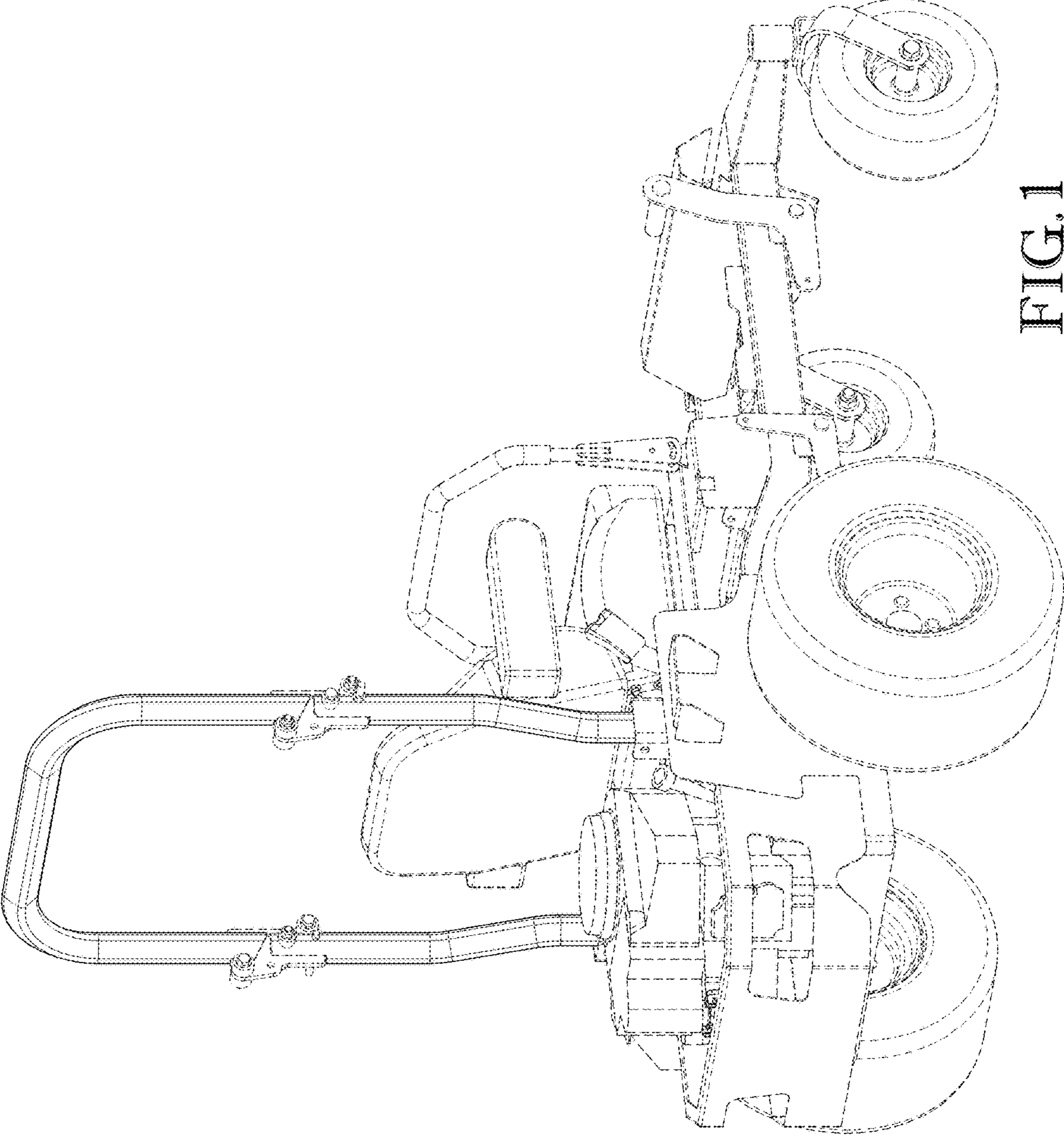


FIG. 1

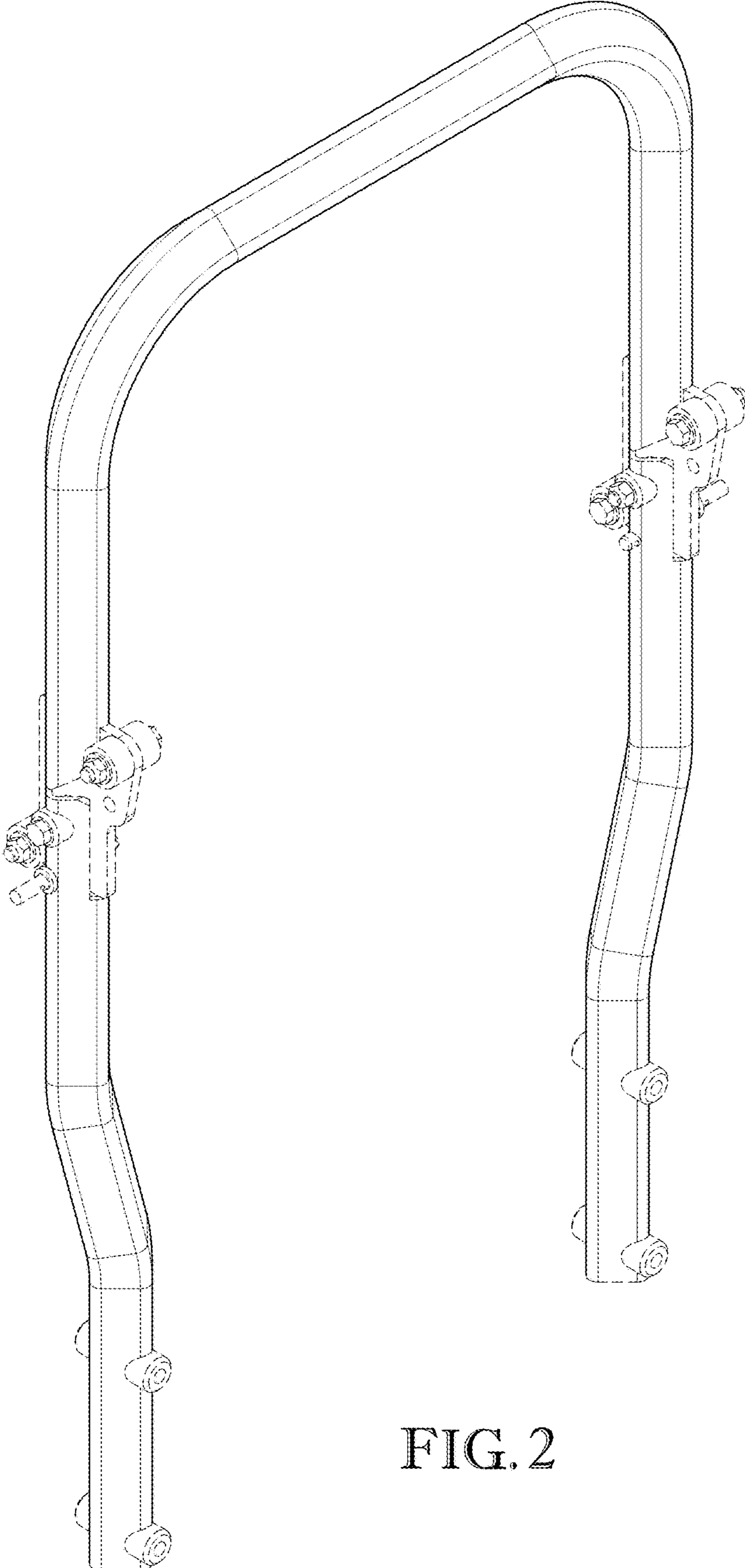


FIG. 2

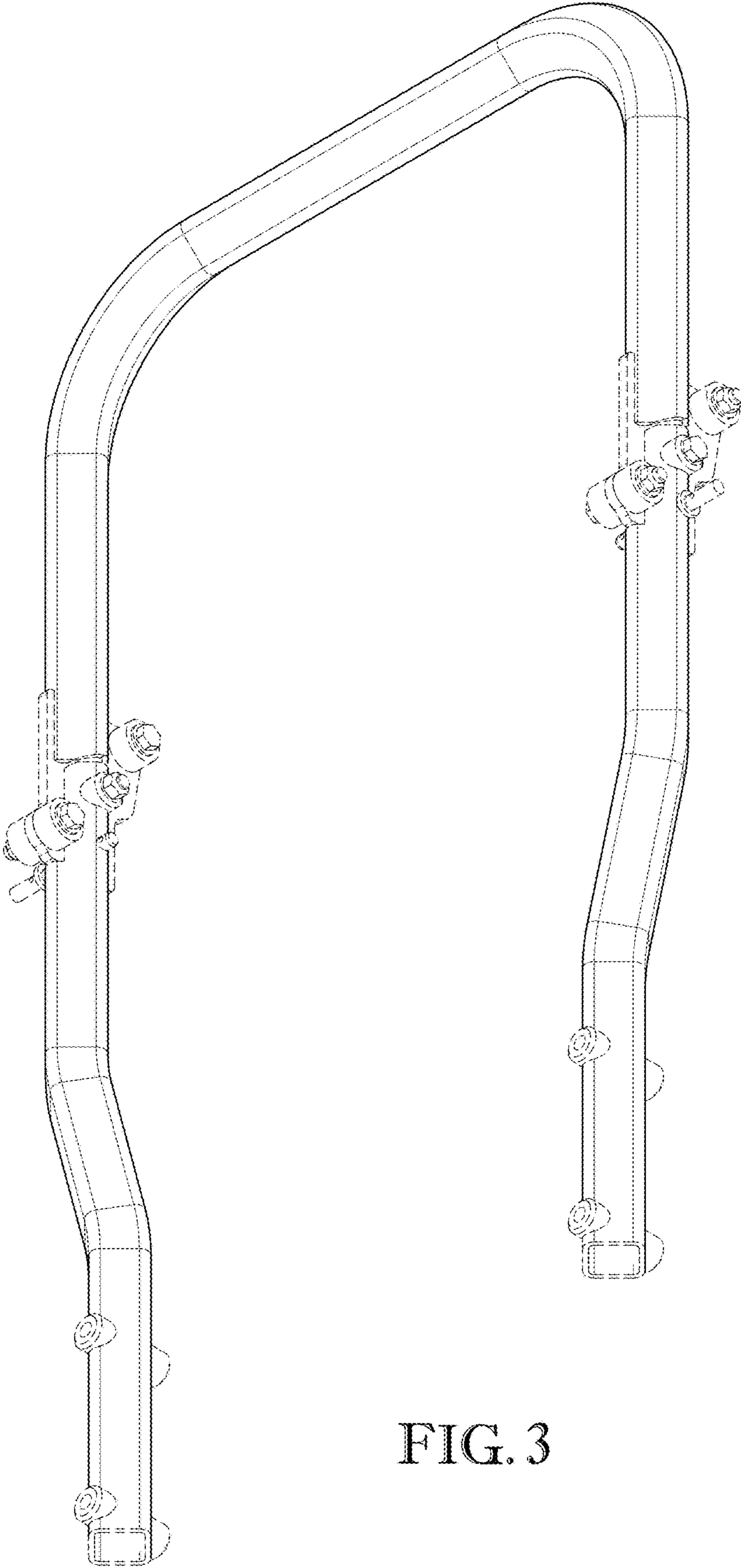


FIG. 3

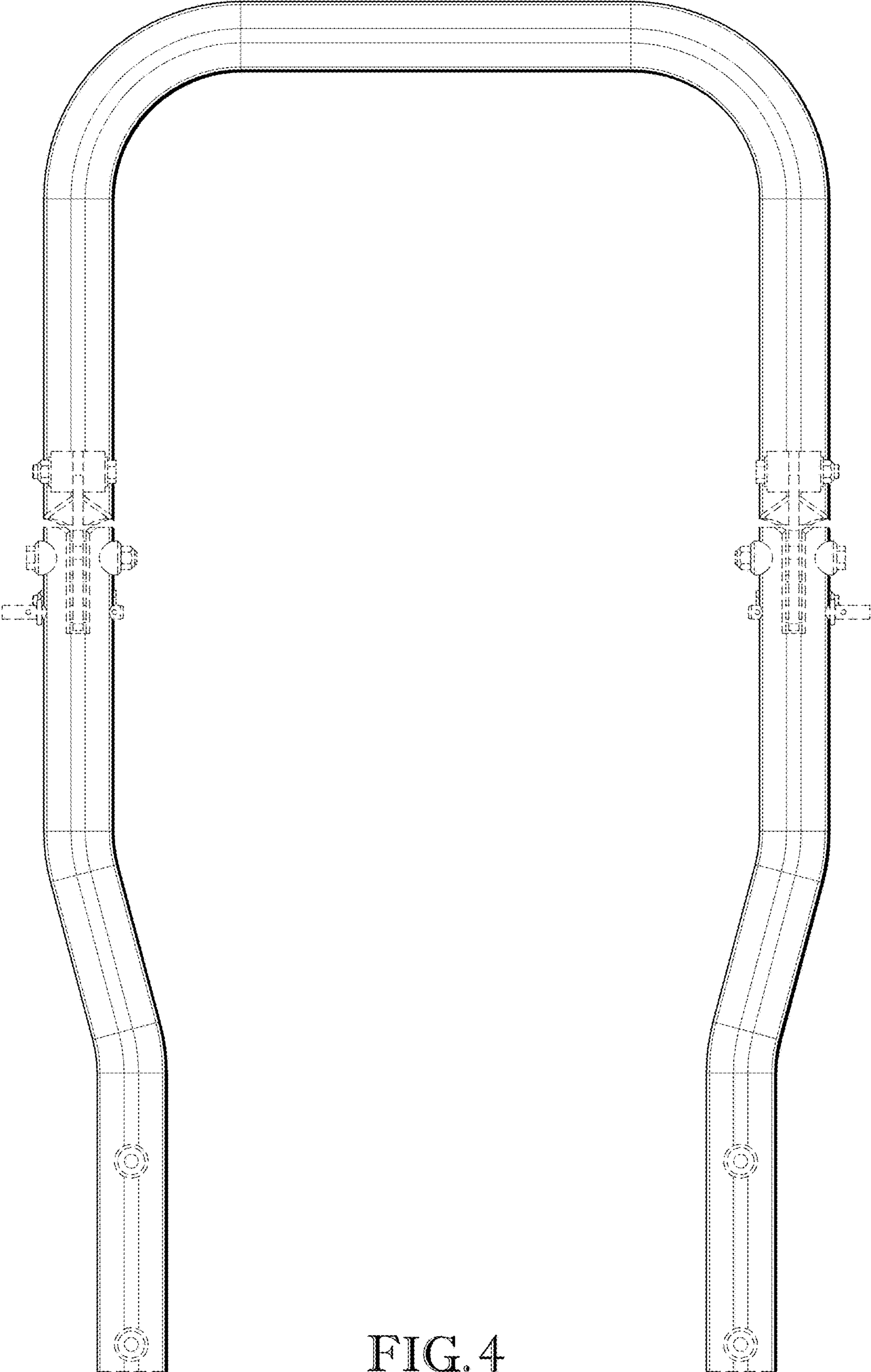


FIG. 4

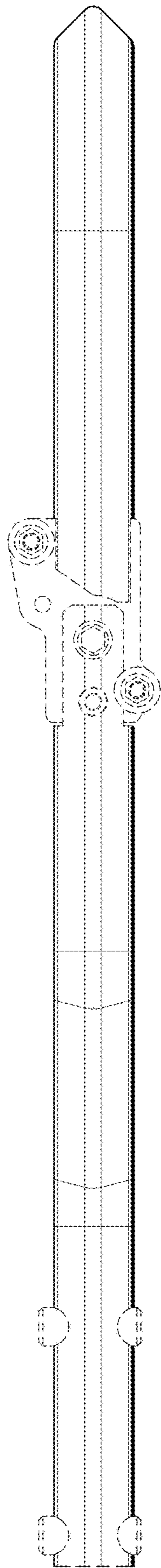


FIG. 5

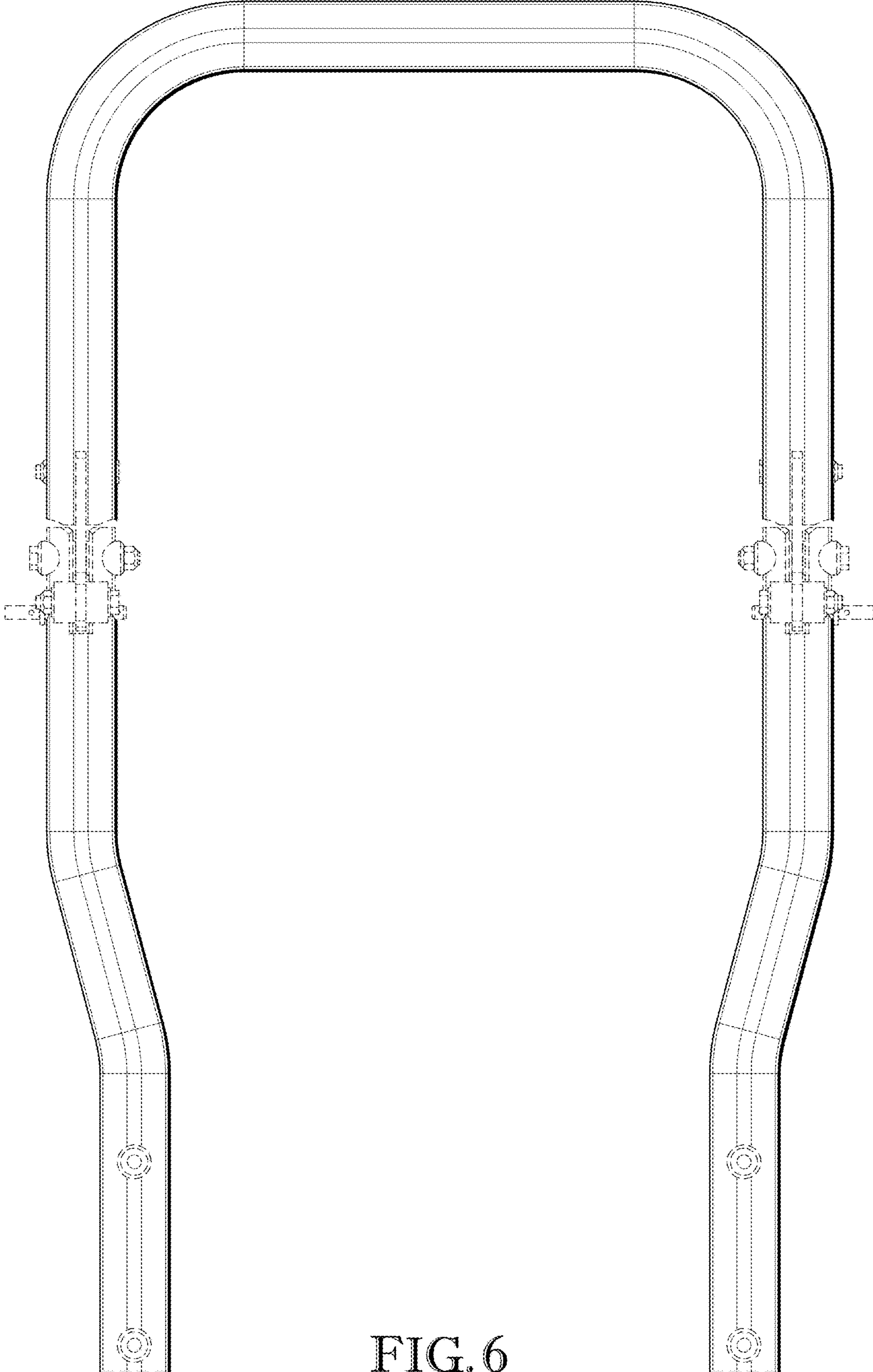


FIG. 6

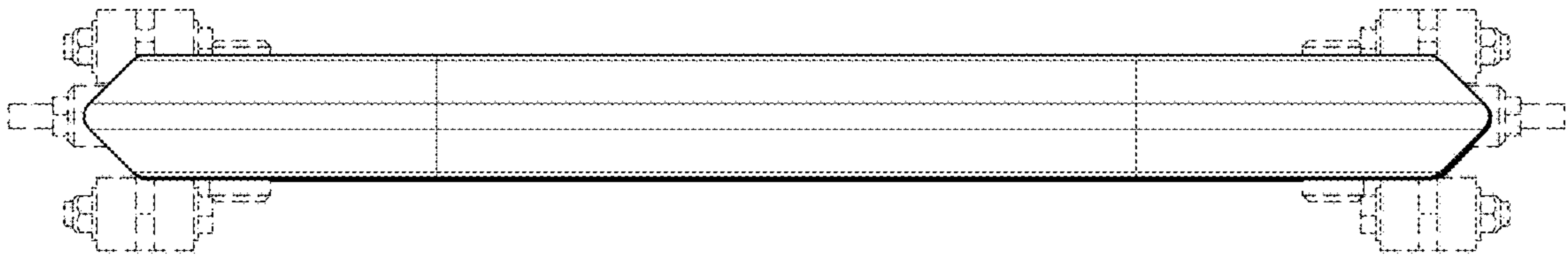


FIG. 7

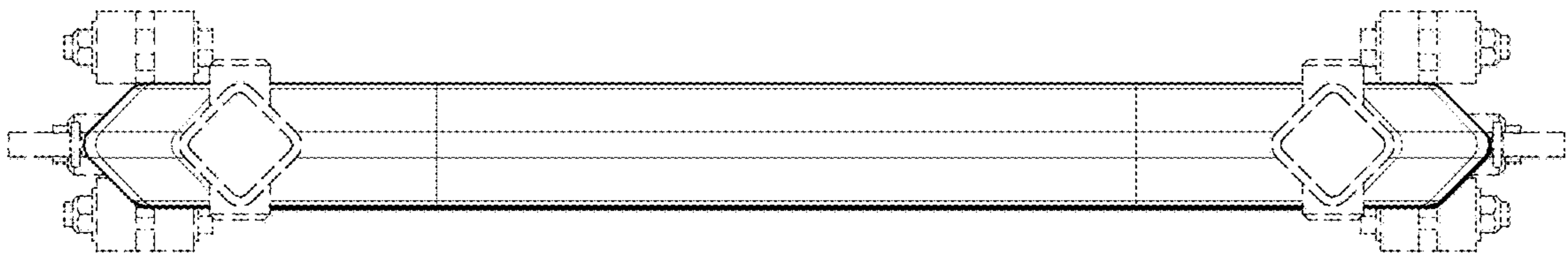


FIG. 8