



US00D811305S

(12) **United States Design Patent**
Hodges

(10) **Patent No.:** **US D811,305 S**

(45) **Date of Patent:** **** *Feb. 27, 2018**

(54) **WHEEL**

(71) Applicant: **Frank J. Hodges**, Corona, CA (US)

(72) Inventor: **Frank J. Hodges**, Corona, CA (US)

(*) Notice: This patent is subject to a terminal disclaimer.

(**) Term: **15 Years**

(21) Appl. No.: **29/547,159**

(22) Filed: **Dec. 1, 2015**

(51) **LOC (11) Cl.** **12-16**

(52) **U.S. Cl.**
USPC **D12/211**

(58) **Field of Classification Search**
USPC D12/204–213
CPC B60B 7/00; B60B 7/02; B60B 7/04; B60B 7/01; B60B 7/06; B60B 3/02; B60B 3/04; B60B 3/06; B60B 3/10; B60B 1/00; B60B 1/08; B60B 1/10; B60B 1/12
See application file for complete search history.

(56) **References Cited**

U.S. PATENT DOCUMENTS

D258,504 S * 3/1981 Schinella D12/211
D275,193 S * 8/1984 Schinella D12/211

D404,700 S * 1/1999 Celeste D12/209
D440,933 S * 4/2001 Vian D12/209
D441,707 S * 5/2001 Hussaini D12/209
D464,009 S * 10/2002 Laengerer D12/211
D531,952 S * 11/2006 Sands D12/211
D549,632 S * 8/2007 Sands D12/209
D596,551 S * 7/2009 Futschik D12/211
D630,565 S * 1/2011 Ebel D12/209
D655,662 S * 3/2012 Stucki D12/211
D680,486 S * 4/2013 Zhao D12/211
D686,964 S * 7/2013 Baum D12/211
D706,693 S * 6/2014 Stolz D12/209
D712,814 S * 9/2014 Starr, Jr. D12/209
D714,206 S * 9/2014 Starr, Jr. D12/209
D722,000 S * 2/2015 Kern D12/209
D745,841 S * 12/2015 Ferrett D12/209

* cited by examiner

Primary Examiner — Stacia Cadmus

(74) *Attorney, Agent, or Firm* — Eric B. Alspaugh

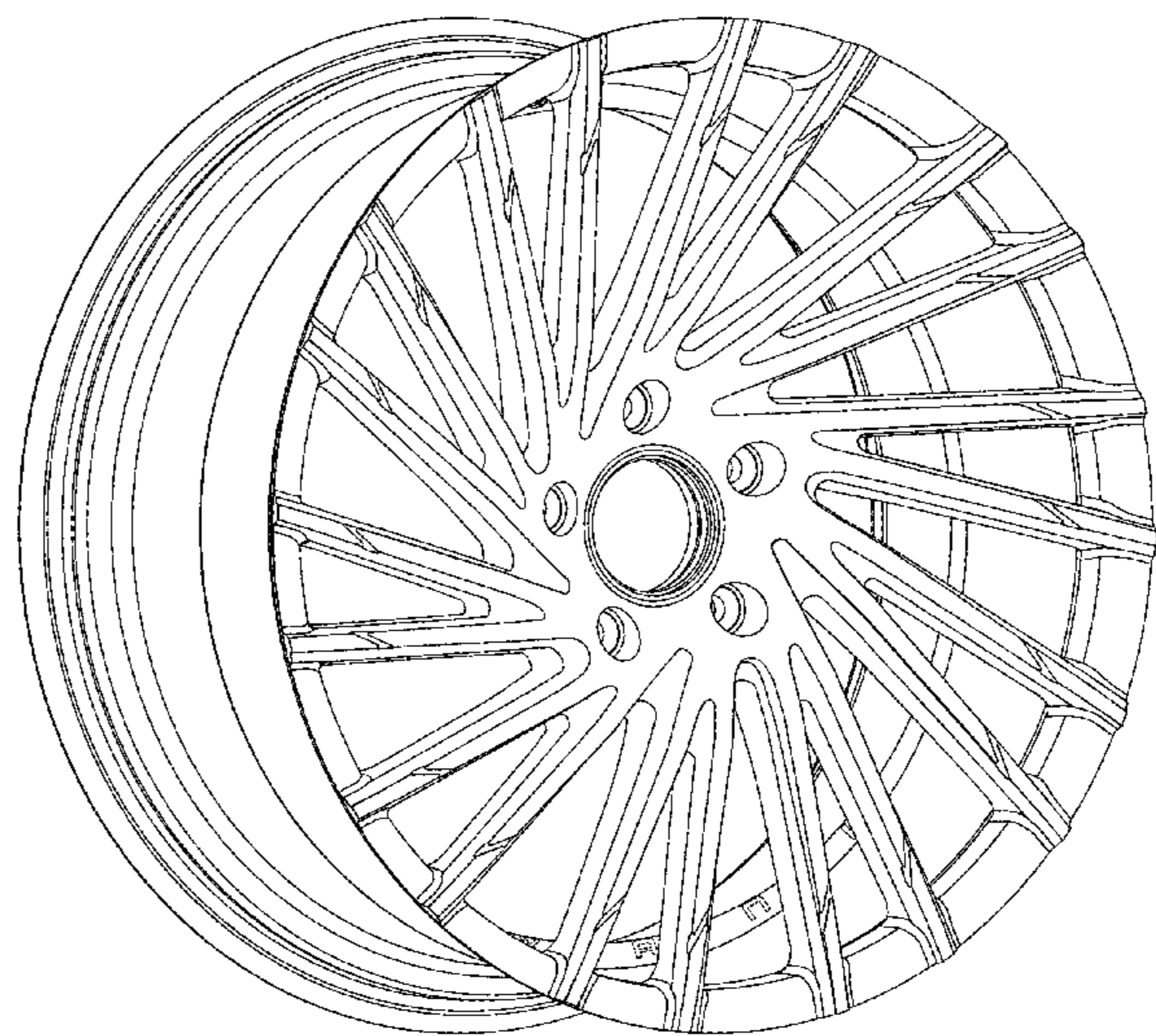
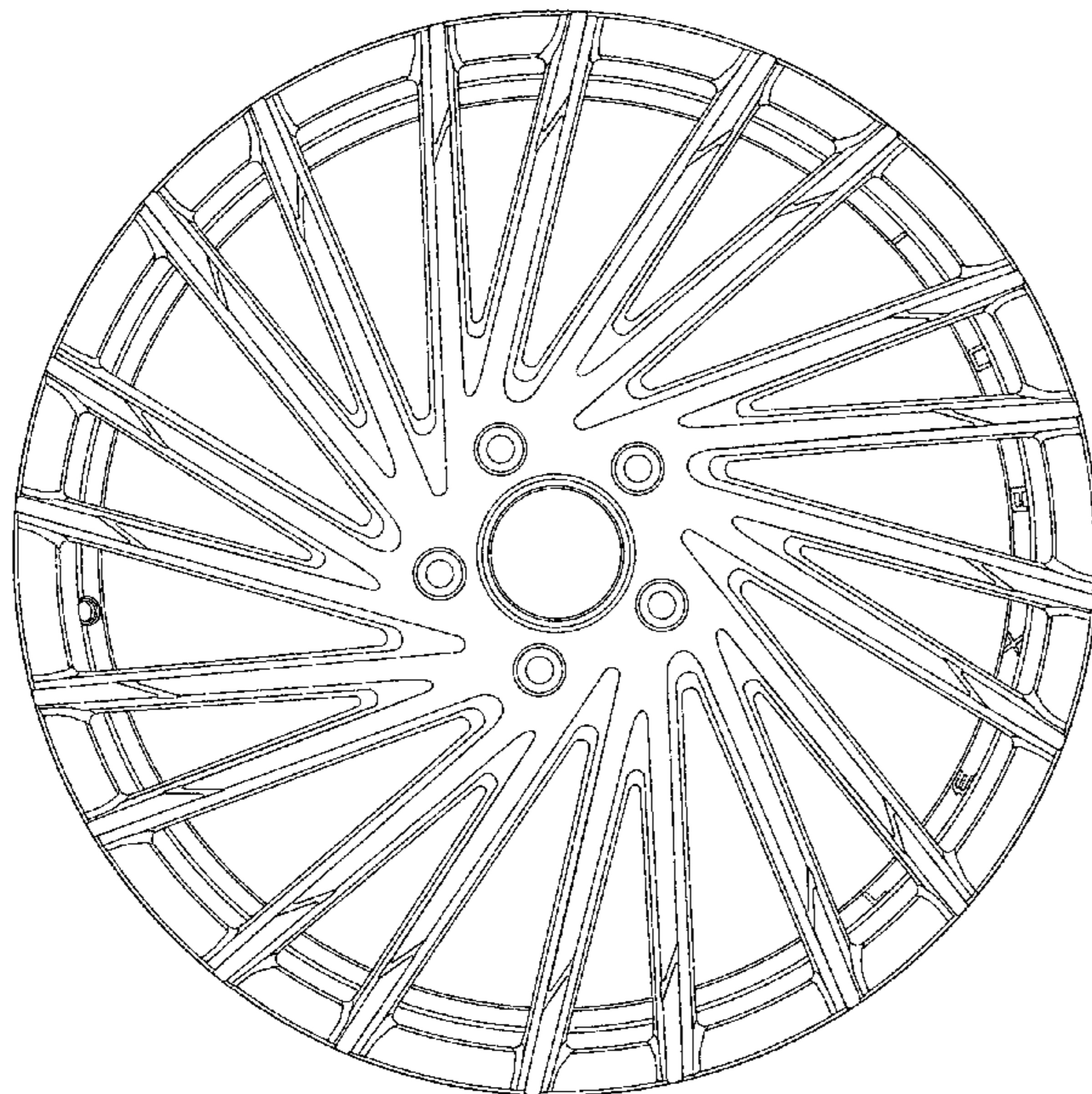
(57) **CLAIM**

The ornamental design for a wheel, as shown and described.

DESCRIPTION

FIG. 1 is a front view of a wheel showing my new design; and,
FIG. 2 is an oblique view thereof.

1 Claim, 2 Drawing Sheets



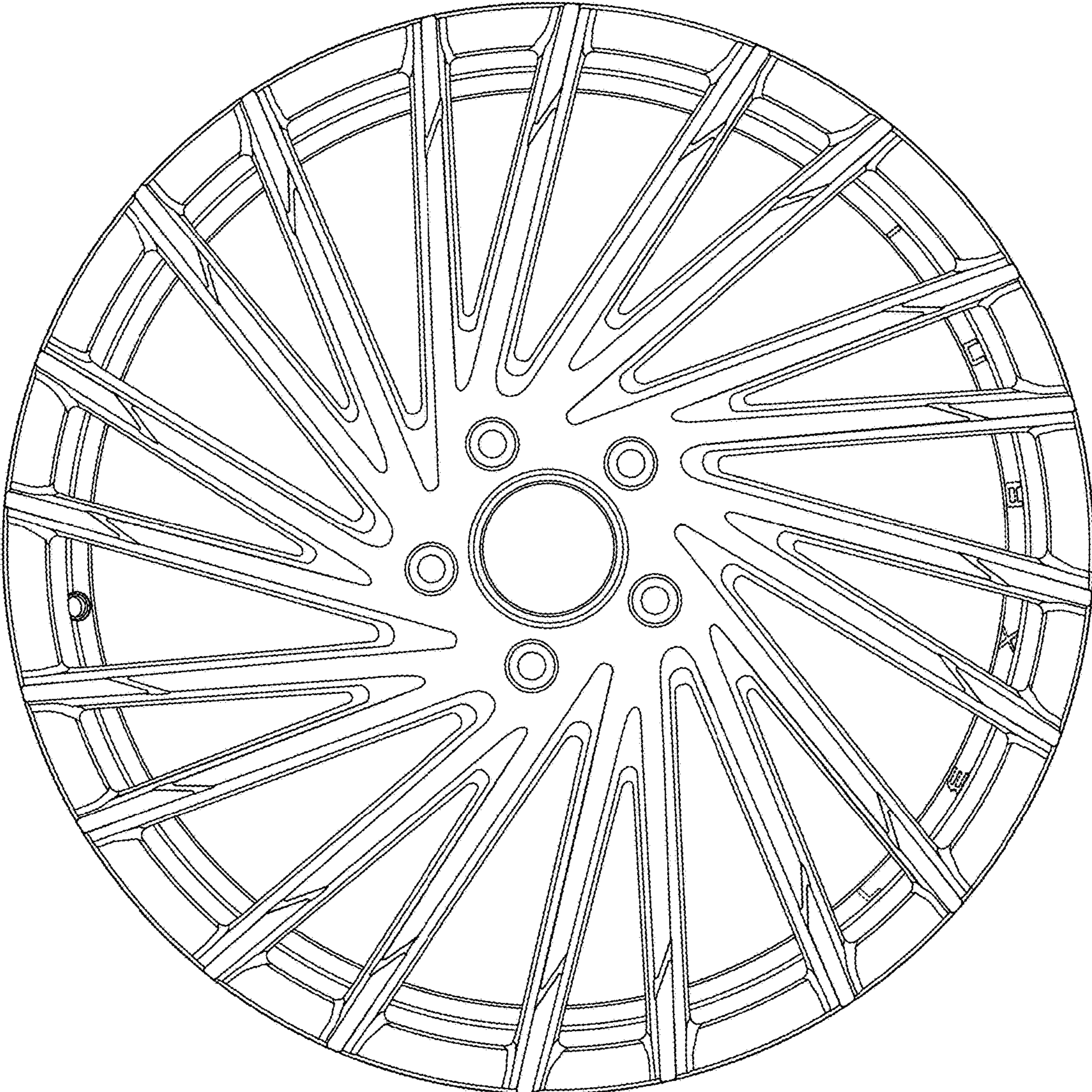


Fig. 1

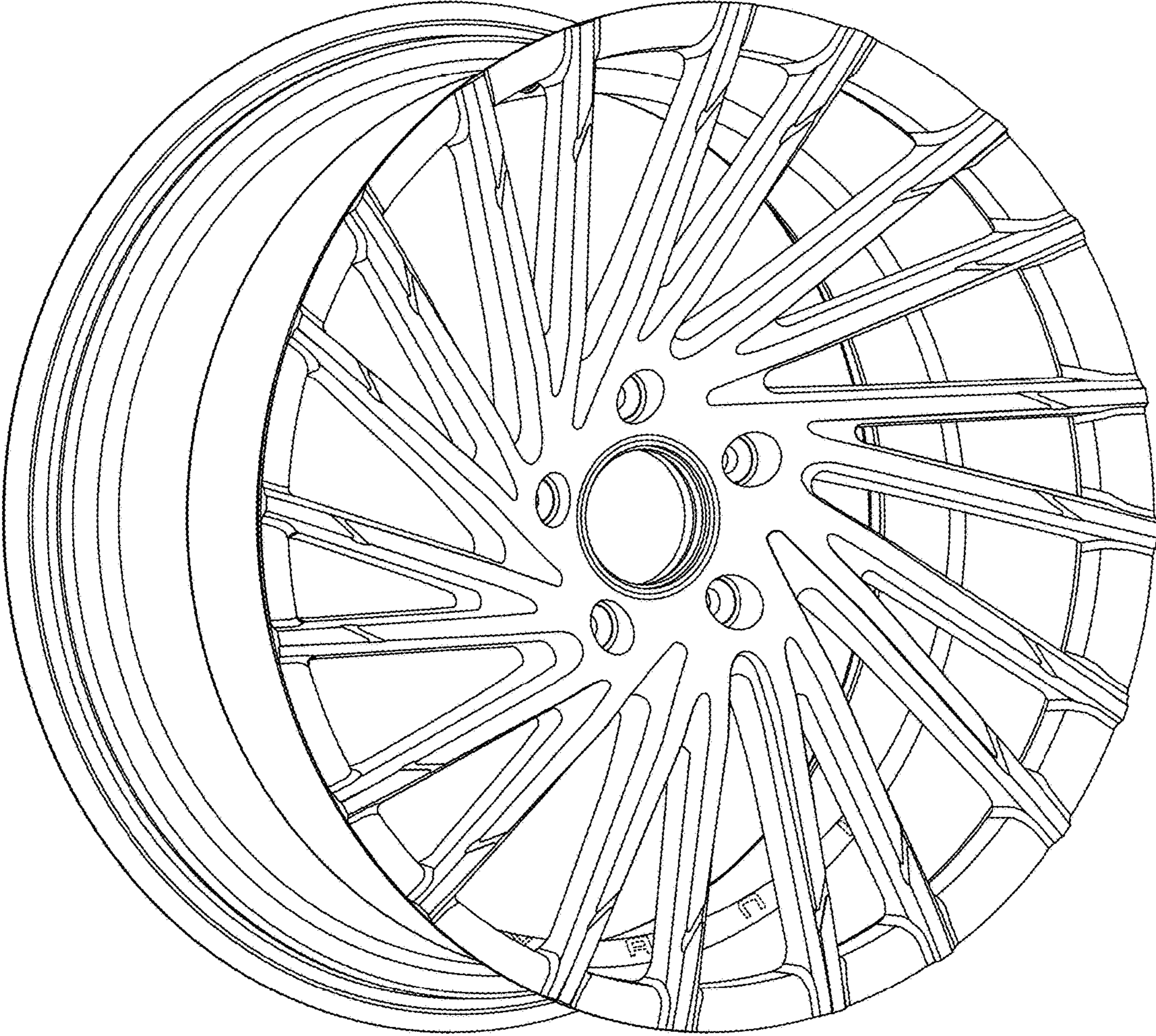


Fig. 2