



US00D811303S

(12) **United States Design Patent**  
**Calfee**

(10) **Patent No.:** **US D811,303 S**

(45) **Date of Patent:** **\*\* Feb. 27, 2018**

(54) **ADAPTER FOR CONNECTING A FUNNEL  
TO FILLING PORT OF A VEHICLE  
RADIATOR**

(71) Applicant: **Lisle Corporation**, Clarinda, IA (US)

(72) Inventor: **Kyle Shane Calfee**, Clarinda, IA (US)

(73) Assignee: **Lisle Corporation**, Clarinda, IA (US)

(\*\*) Term: **15 Years**

(21) Appl. No.: **29/593,040**

(22) Filed: **Feb. 6, 2017**

(51) **LOC (11) Cl.** ..... **12-16**

(52) **U.S. Cl.**  
USPC ..... **D12/197**

(58) **Field of Classification Search**  
USPC ..... D12/197, 198–201, 110, 114, 218;  
D7/398; D9/435, 451–454, 443–444;  
D8/310–312; D23/260; D15/150  
CPC ..... B63B 3/66; B60H 1/34  
See application file for complete search history.

(56) **References Cited**

**U.S. PATENT DOCUMENTS**

D477,554 S \* 7/2003 Kefer ..... D12/197  
D488,397 S \* 4/2004 Morelock ..... D10/68

D544,424 S \* 6/2007 Bauer ..... D12/197  
D585,348 S \* 1/2009 Yan ..... D12/197  
D594,395 S \* 6/2009 Yoshii ..... D12/197  
D617,459 S \* 6/2010 Bogue ..... D12/197  
D649,099 S \* 11/2011 Nakamura ..... D12/197  
D687,755 S \* 8/2013 Griffin ..... D12/197  
D756,280 S \* 5/2016 Davito ..... D12/197  
D773,972 S \* 12/2016 Cloete ..... D12/197

\* cited by examiner

*Primary Examiner* — Katrina A Betton

(74) *Attorney, Agent, or Firm* — Banner & Witcoff, Ltd.

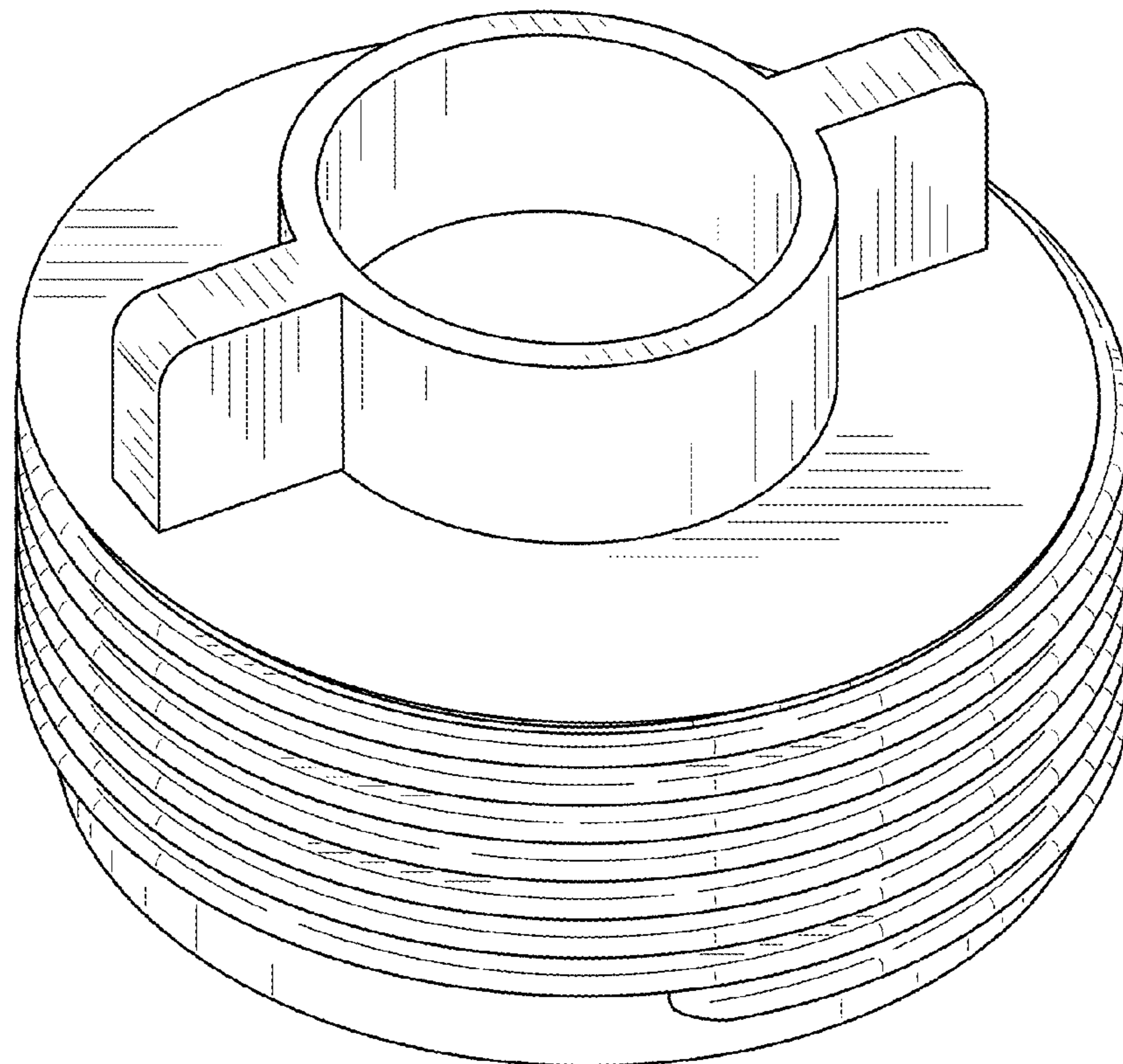
(57) **CLAIM**

The ornamental design for an adapter for connecting a funnel to filling port of a vehicle radiator, as shown and described.

**DESCRIPTION**

FIG. 1 is a top, front, right perspective view of an adapter for connecting a funnel to filling port of a vehicle radiator showing my new design;  
FIG. 2 is a right side view thereof;  
FIG. 3 is a left side view thereof;  
FIG. 4 is a rear view thereof;  
FIG. 5 is a front view thereof;  
FIG. 6 is a top view thereof; and,  
FIG. 7 is a bottom view thereof.

**1 Claim, 4 Drawing Sheets**



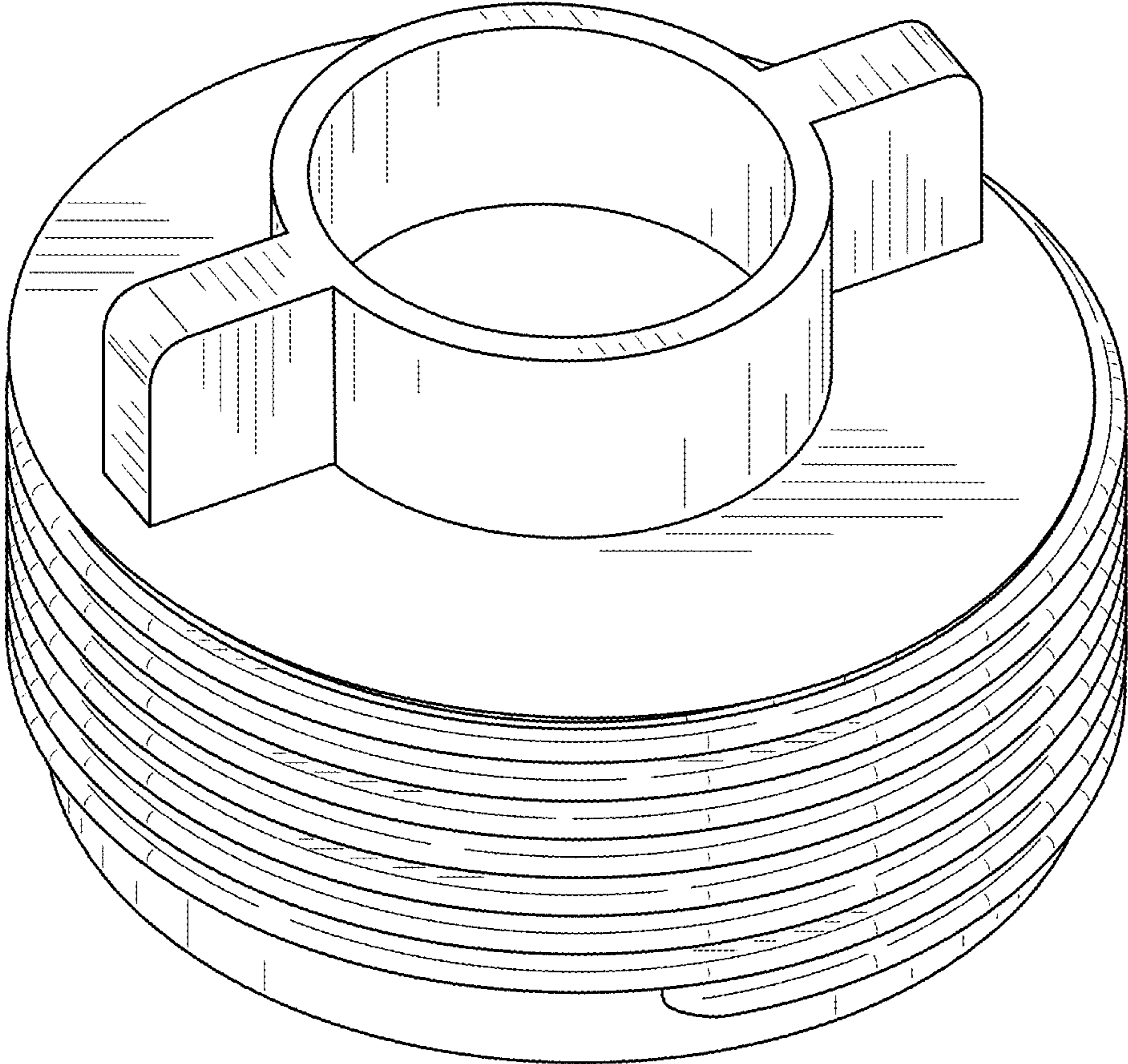


FIG. 1

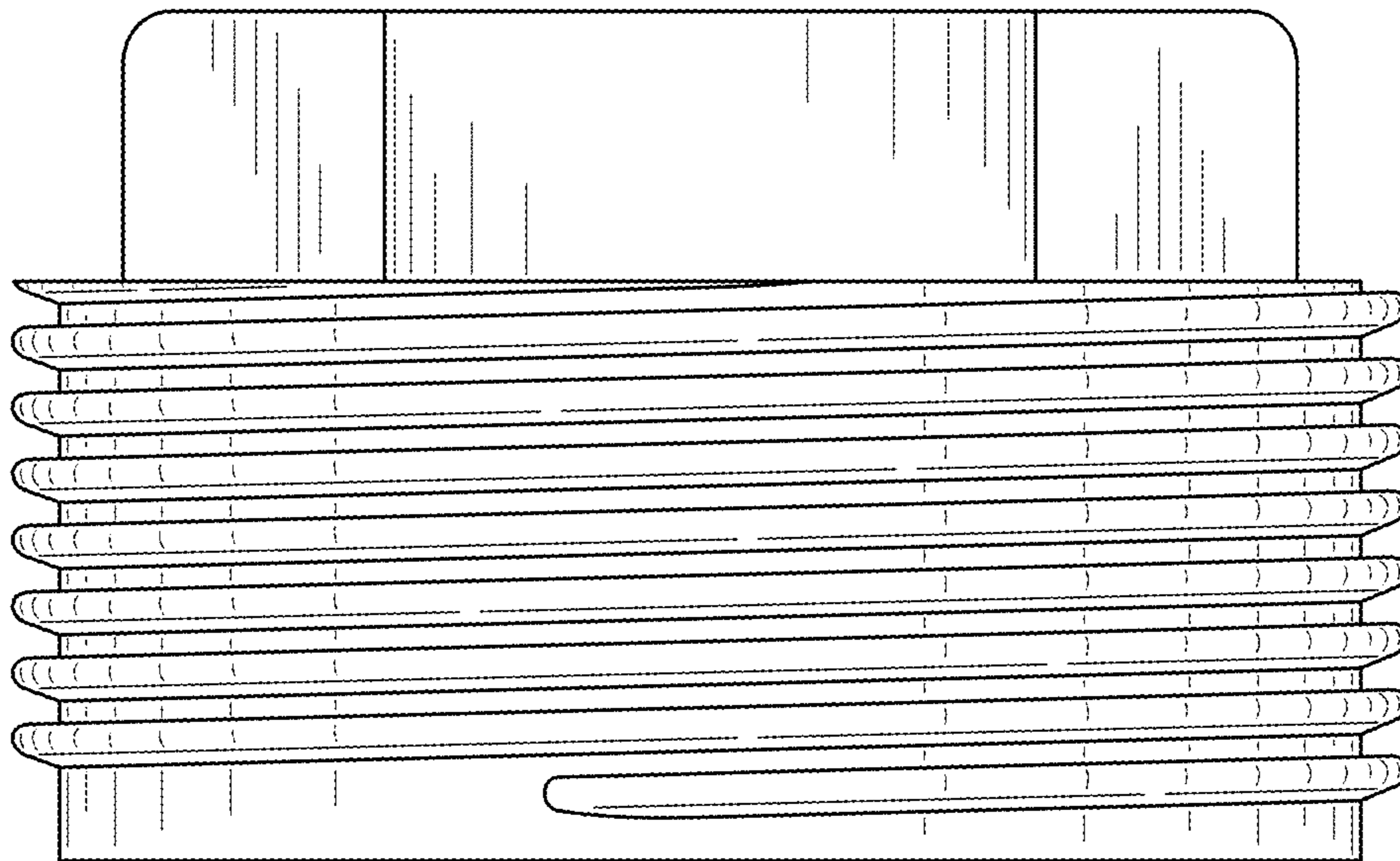


FIG. 2

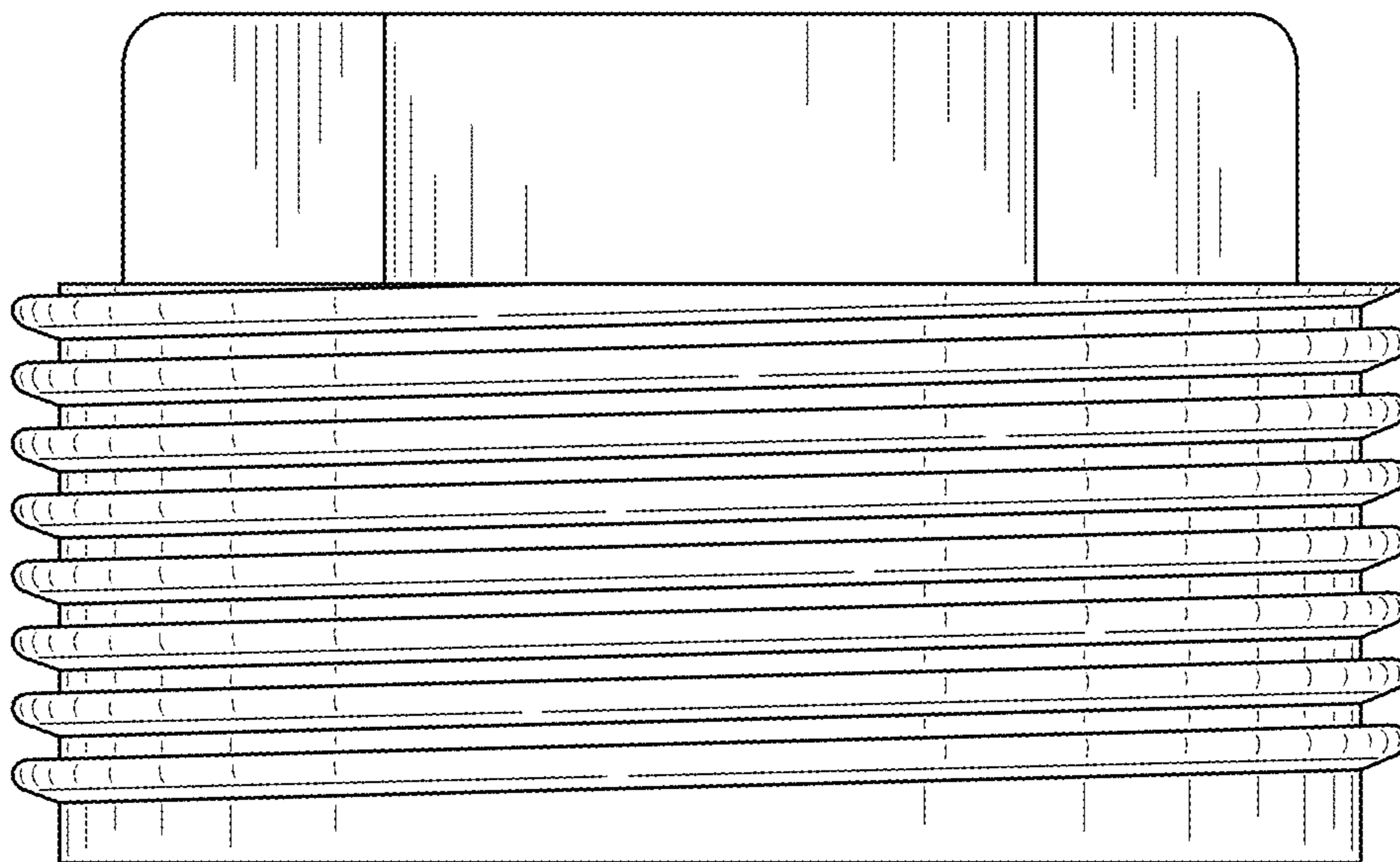


FIG. 3



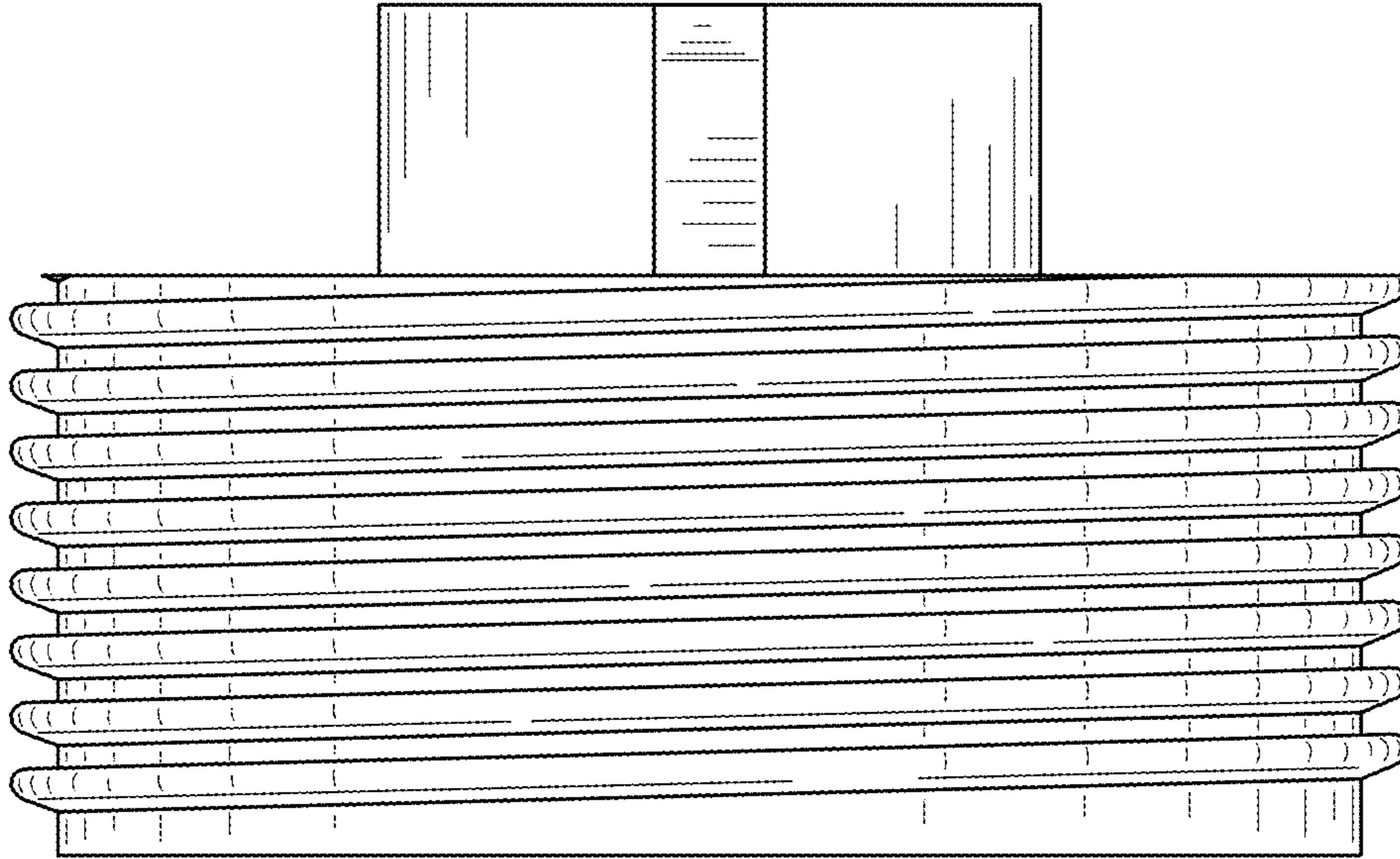


FIG. 4

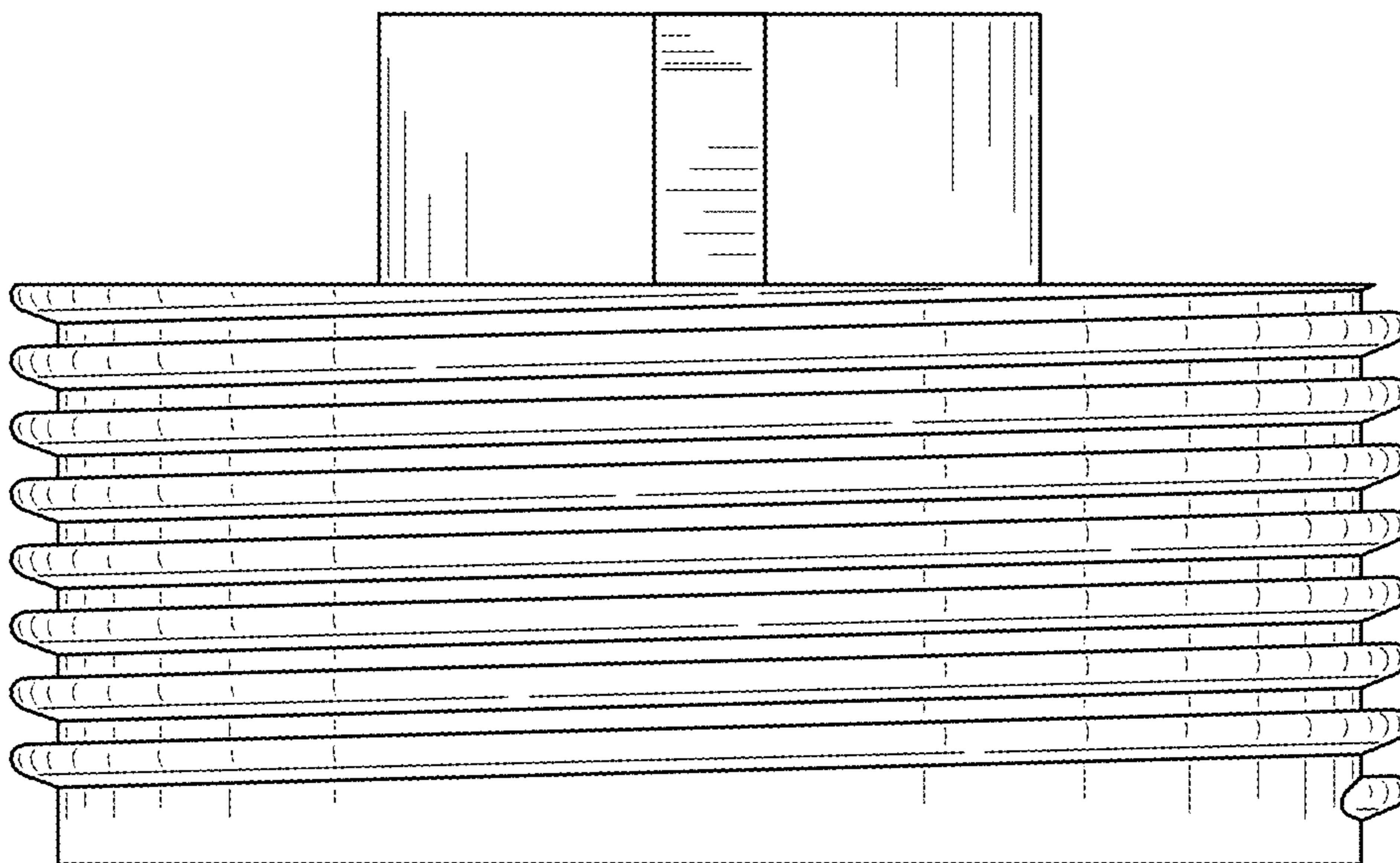


FIG. 5

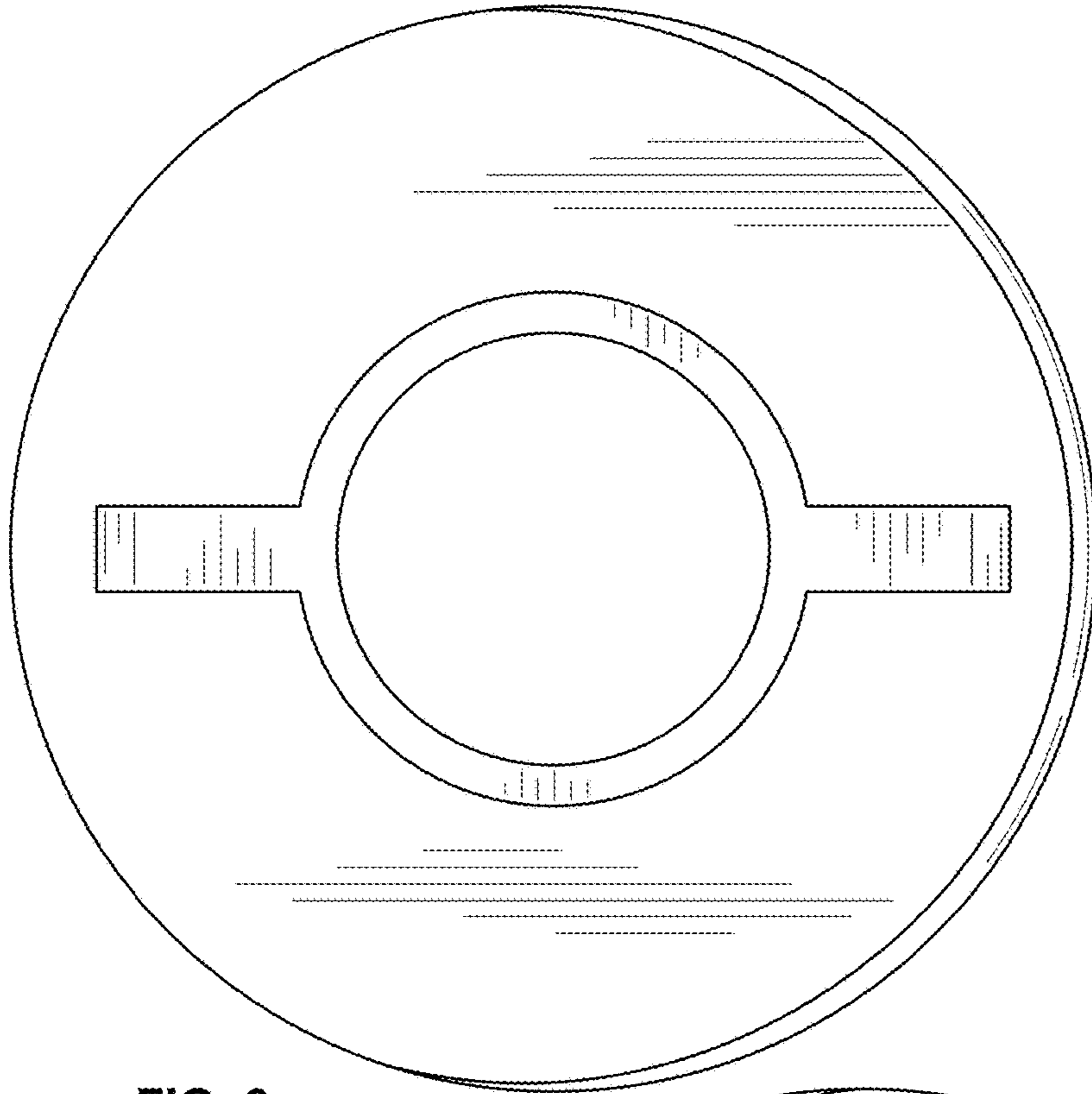


FIG. 6

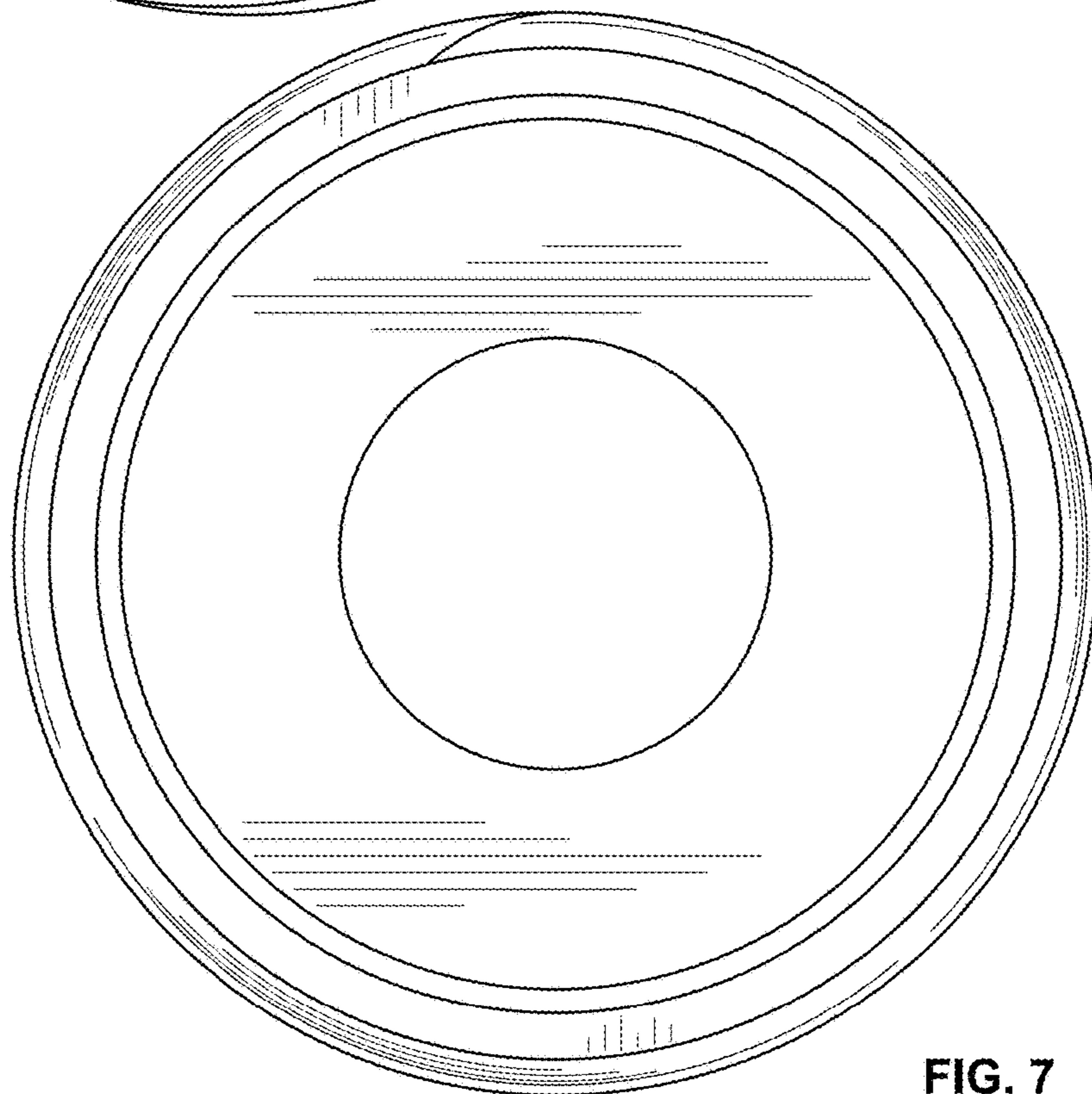


FIG. 7