



US00D811296S

(12) **United States Design Patent** (10) **Patent No.:** **US D811,296 S**
Cadalora et al. (45) **Date of Patent:** **** Feb. 27, 2018**

(54) **PORTABLE ELECTRONIC DEVICE MOUNT FOR A VEHICLE STEERING WHEEL**

D771,044 S * 11/2016 Nguyen D14/385
D771,760 S * 11/2016 Riddiford D21/694
D772,739 S * 11/2016 Browning D10/74

(71) Applicant: **CNH Industrial America LLC**, New Holland, PA (US)

OTHER PUBLICATIONS

(72) Inventors: **Alessio Cadalora**, Modena (IT); **Armando Gabriele**, Corigliano Calabro (IT); **Simone Molesini**, Carpi (IT); **Tiziano Salvini**, Tribiano Mi (IT)

U.S. Appl. No. 29/553,992, filed Feb. 5, 2016, Alessio Cadalora.
U.S. Appl. No. 29/553,996, filed Feb. 5, 2016, Alessio Cadalora.
U.S. Appl. No. 29/553,999, filed Feb. 5, 2016, Alessio Cadalora.
U.S. Appl. No. 29/554,003, filed Feb. 5, 2016, Alessio Cadalora.
U.S. Appl. No. 29/554,004, filed Feb. 5, 2016, Alessio Cadalora.

(73) Assignee: **CNH Industrial America LLC**, New Holland, PA (US)

* cited by examiner

(**) Term: **15 Years**

Primary Examiner — Daniel Bui

Assistant Examiner — Andrew Kerr

(21) Appl. No.: **29/554,001**

(74) *Attorney, Agent, or Firm* — Rickard K. DeMille; Rebecca L. Henkel

(22) Filed: **Feb. 5, 2016**

(51) **LOC (11) Cl.** **12-16**

(52) **U.S. Cl.**
USPC **D12/177**

(58) **Field of Classification Search**
USPC D10/74; D12/175, 177; D14/447, 448, D14/451; D21/694; 74/552, 484 R
CPC A47B 21/00; A47B 21/04; F16M 13/00; F16M 13/005

See application file for complete search history.

(56) **References Cited**

U.S. PATENT DOCUMENTS

D342,474 S * 12/1993 Oki D12/176
D346,997 S * 5/1994 Kurtis D12/176
D463,336 S * 9/2002 Prather D12/176
D708,187 S * 7/2014 Xiang D14/447
D724,598 S * 3/2015 Gelsomini D14/447
9,090,282 B2 * 7/2015 Salvini B62D 1/065

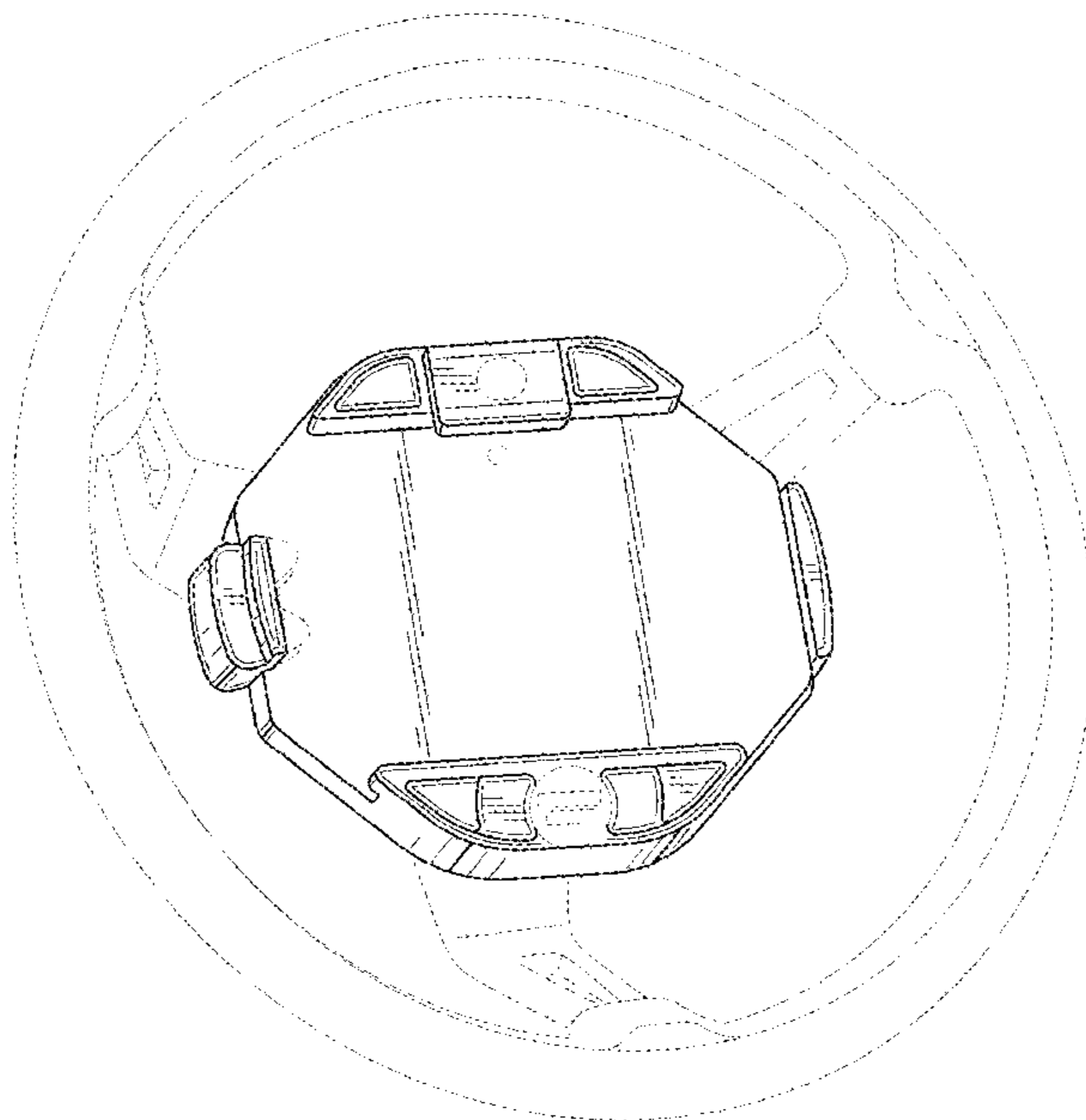
(57) **CLAIM**

The ornamental design for a portable electronic device mount for a vehicle steering wheel, as shown and described.

DESCRIPTION

FIG. 1 is a perspective view of a portable electronic device mount for a vehicle steering wheel;
FIG. 2 is a front view of the portable electronic device mount;
FIG. 3 is a left side view of the portable electronic device mount;
FIG. 4 is a right side view of the portable electronic device mount;
FIG. 5 is a top view of the portable electronic device mount; and,
FIG. 6 is a bottom view of the portable electronic device mount.
Phantom lines, where utilized, are for illustrative purposes only and form no part of the claimed design.

1 Claim, 4 Drawing Sheets



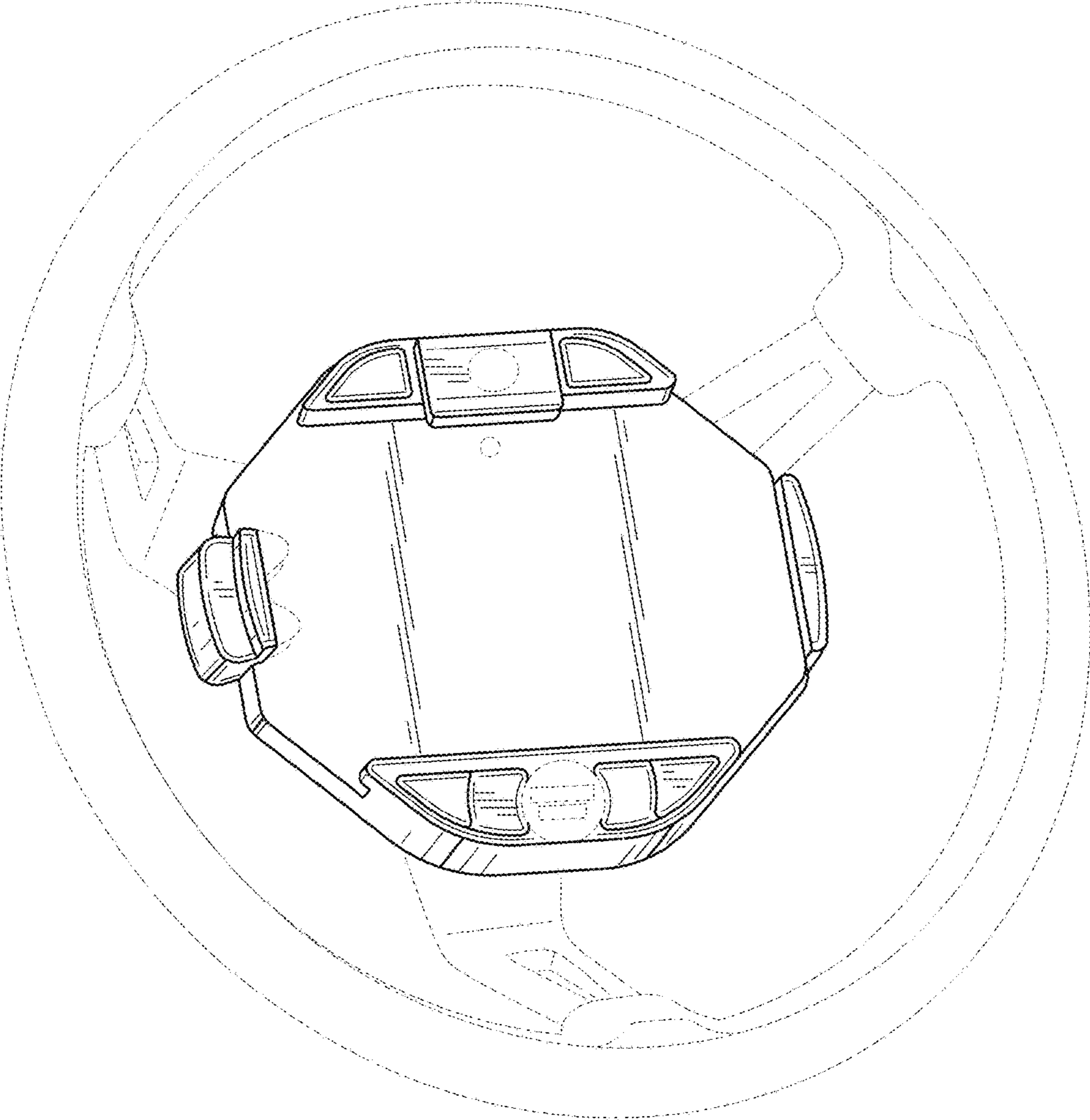


FIG. 1

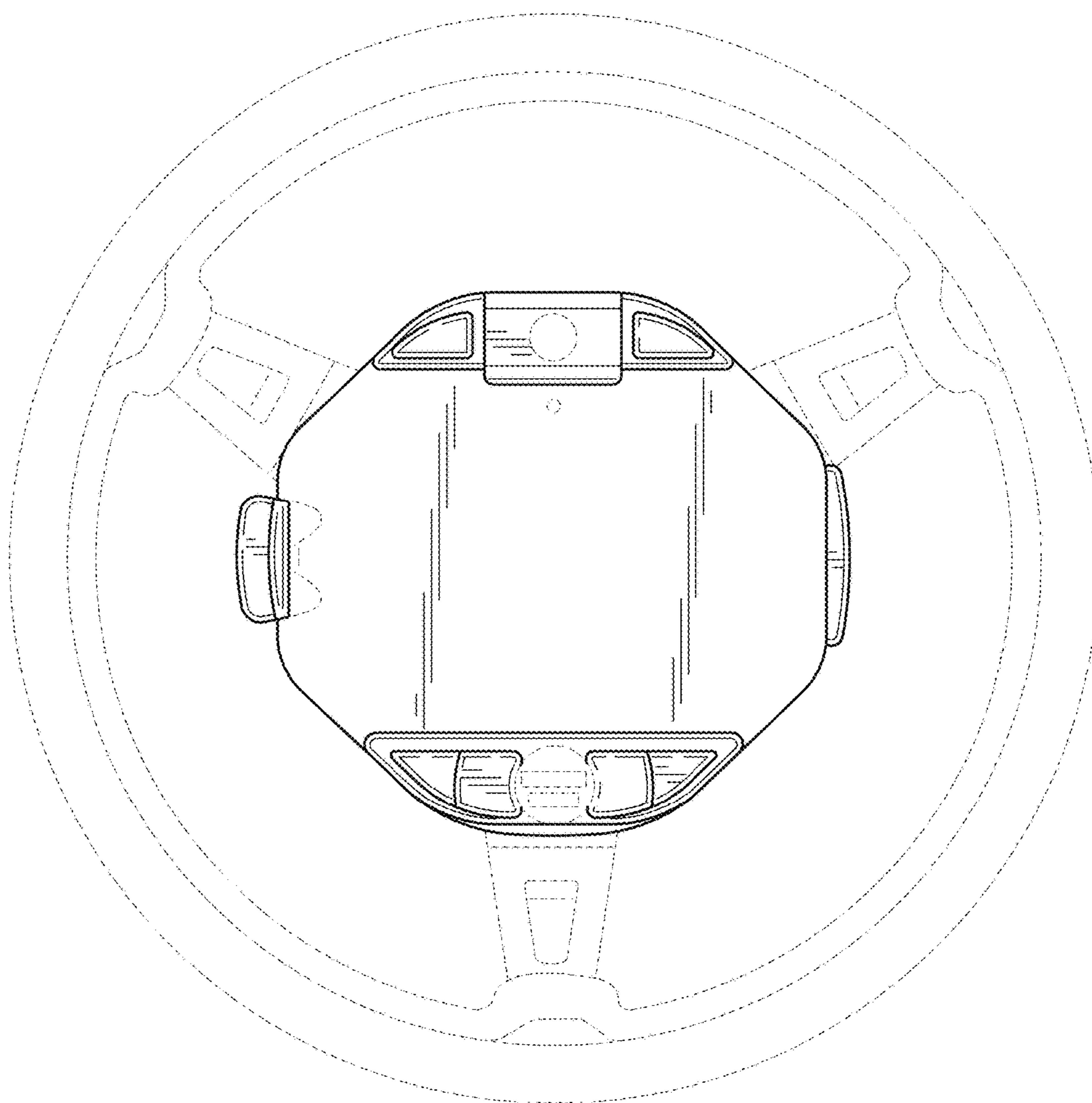


FIG. 2

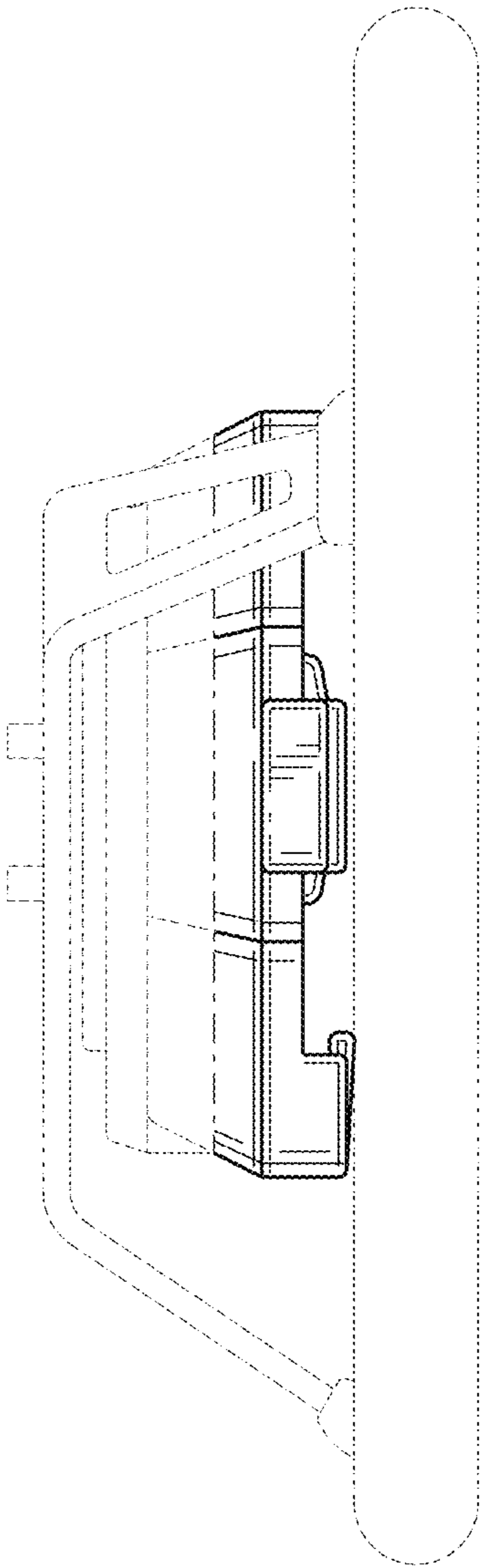


FIG. 3

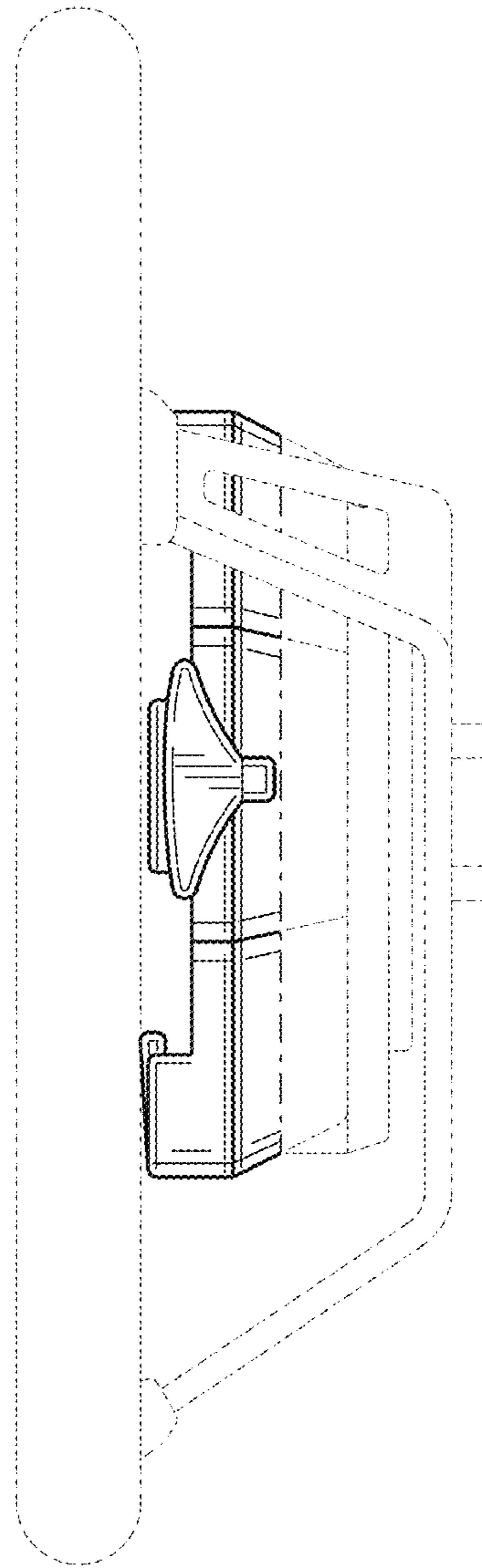


FIG. 4

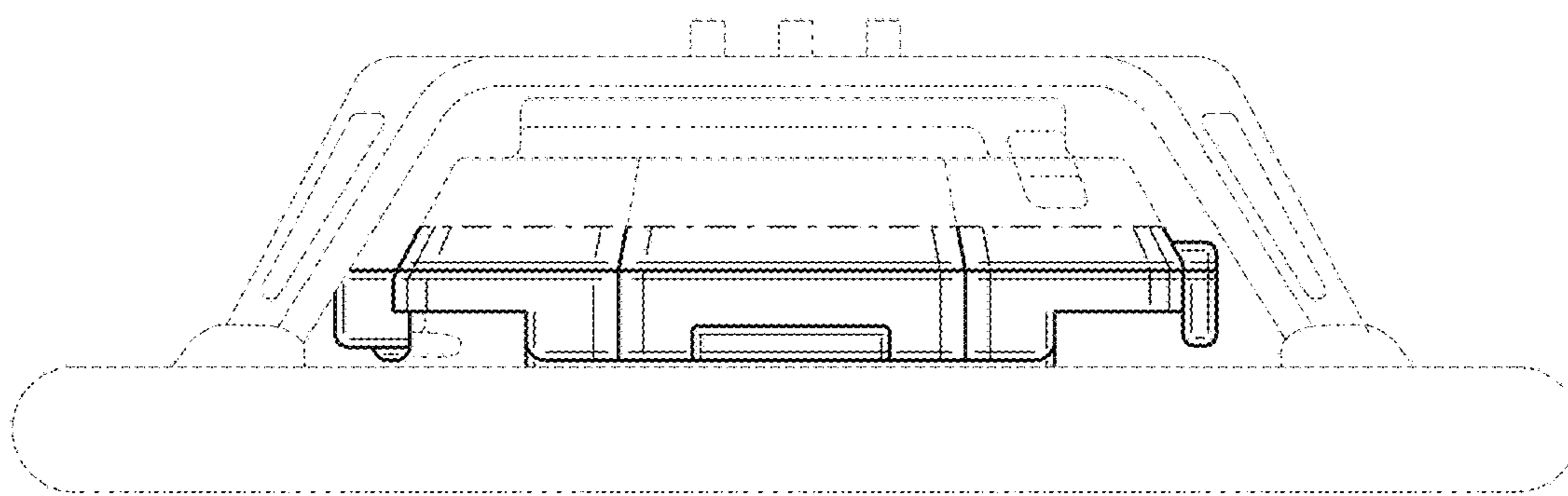


FIG. 5

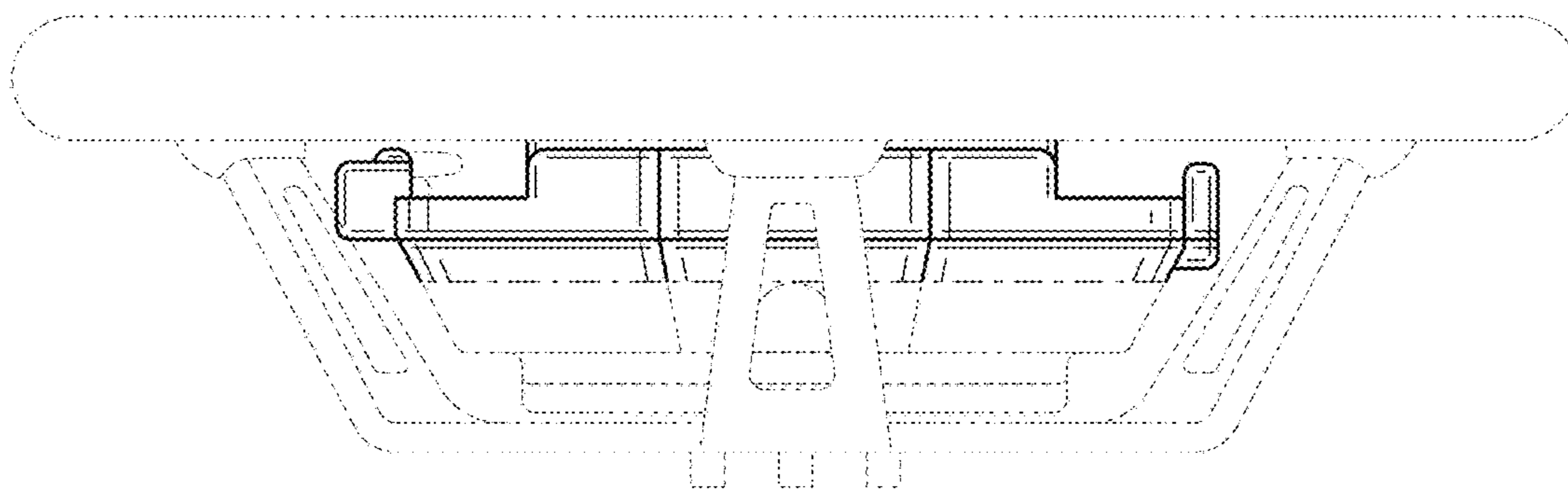


FIG. 6