



US00D811295S

(12) **United States Design Patent** (10) **Patent No.:** **US D811,295 S**  
**Drever** (45) **Date of Patent:** **\*\* Feb. 27, 2018**

(54) **VEHICLE GRILLE GUARD**  
(71) Applicant: **Excel Concepts**, Ankeny, IA (US)  
(72) Inventor: **Jeremy Drever**, Ankeny, IA (US)  
(73) Assignee: **Excel Concepts**, Ankeny, IA (US)  
(\*\*) Term: **15 Years**  
(21) Appl. No.: **29/555,466**  
(22) Filed: **Feb. 22, 2016**  
(51) **LOC (11) Cl.** ..... **12-16**  
(52) **U.S. Cl.**  
USPC ..... **D12/171**  
(58) **Field of Classification Search**  
USPC ..... D12/90-92, 98, 163, 169, 171, 172  
CPC ..... B60R 19/52; B60R 2019/522  
See application file for complete search history.

D416,219 S \* 11/1999 Waagenaar ..... D12/171  
D422,952 S \* 4/2000 Waagenaar ..... D12/171  
D422,953 S \* 4/2000 Waagenaar ..... D12/171  
D440,530 S \* 4/2001 Geisler ..... D12/171  
D483,708 S \* 12/2003 Roehmer ..... D12/171  
D523,383 S \* 6/2006 Fox ..... D12/171  
D528,481 S \* 9/2006 Taveras ..... D12/171  
D572,180 S \* 7/2008 Storer ..... D12/171  
D606,913 S \* 12/2009 Robertson ..... D12/171

\* cited by examiner

*Primary Examiner* — Darlington Ly  
(74) *Attorney, Agent, or Firm* — Davis, Brown, Koehn,  
Shors & Roberts, P.C.

(57) **CLAIM**

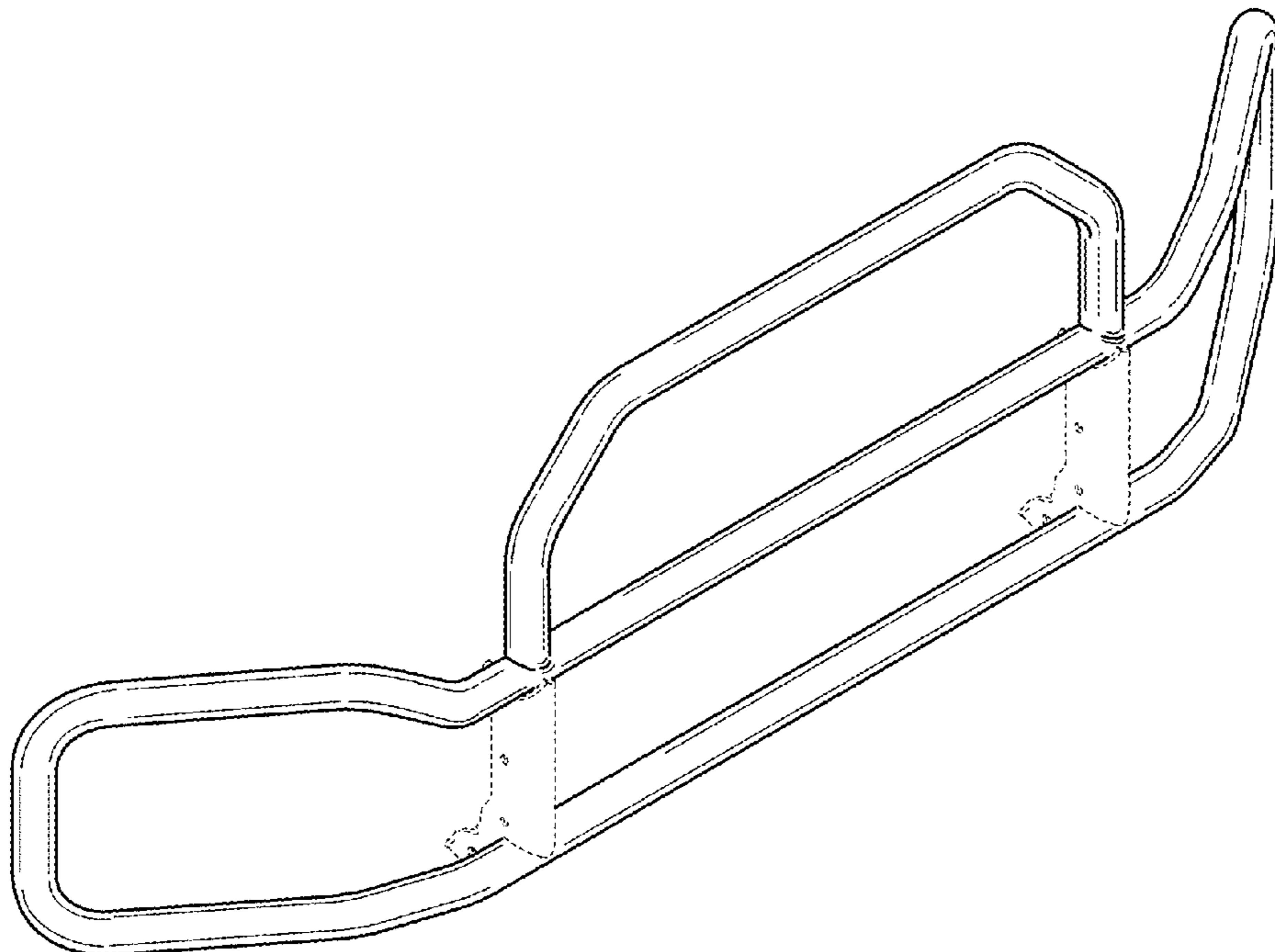
The ornamental design for a vehicle grille guard, as shown and described.

**DESCRIPTION**

FIG. 1 is a top, front, and right side perspective view of a vehicle grille guard showing my new design; FIG. 2 is a top, rear, and right side perspective view thereof; FIG. 3 is a right side elevational view thereof; FIG. 4 is a left side elevational view thereof; FIG. 5 is a front elevational view thereof; FIG. 6 is a rear elevational view thereof; FIG. 7 is a top plan view thereof; and, FIG. 8 is a bottom plan view thereof. The broken lines illustrate portions of the vehicle grille guard that form no part of the claimed design.

**1 Claim, 6 Drawing Sheets**

(56) **References Cited**  
U.S. PATENT DOCUMENTS  
D280,398 S \* 9/1985 Milton ..... D12/171  
D307,256 S \* 4/1990 Holland ..... D12/171  
D333,457 S \* 2/1993 La Foe ..... D12/171  
D361,316 S \* 8/1995 Orth, Sr. .... D12/171  
D383,719 S \* 9/1997 Thorne ..... D12/171  
D384,625 S \* 10/1997 Thorne ..... D12/171  
D388,042 S \* 12/1997 Thorne ..... D12/171  
D396,678 S \* 8/1998 Shklyaver ..... D12/171  
D410,879 S \* 6/1999 Orth, Sr. .... D12/171



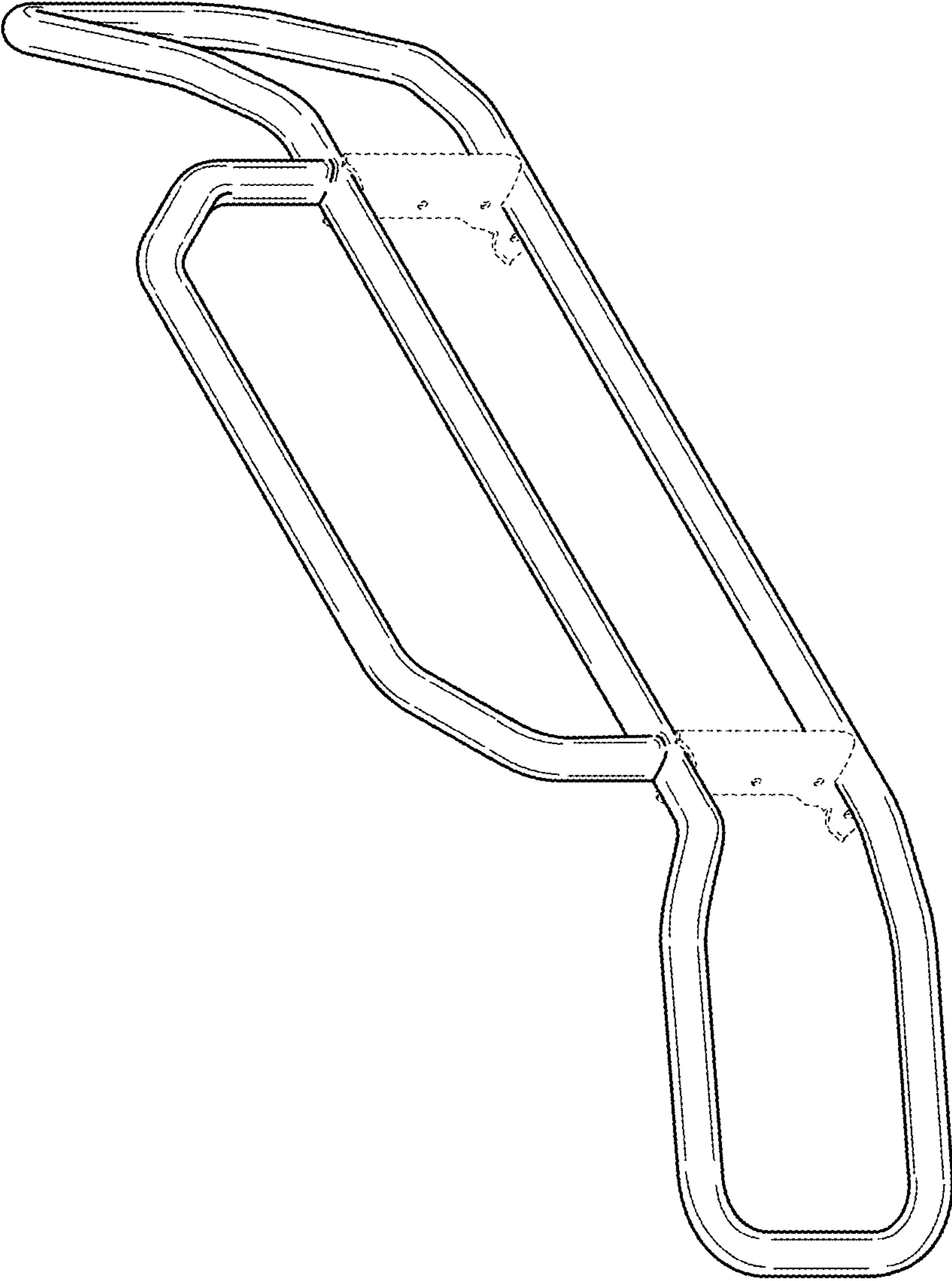


Fig. 1

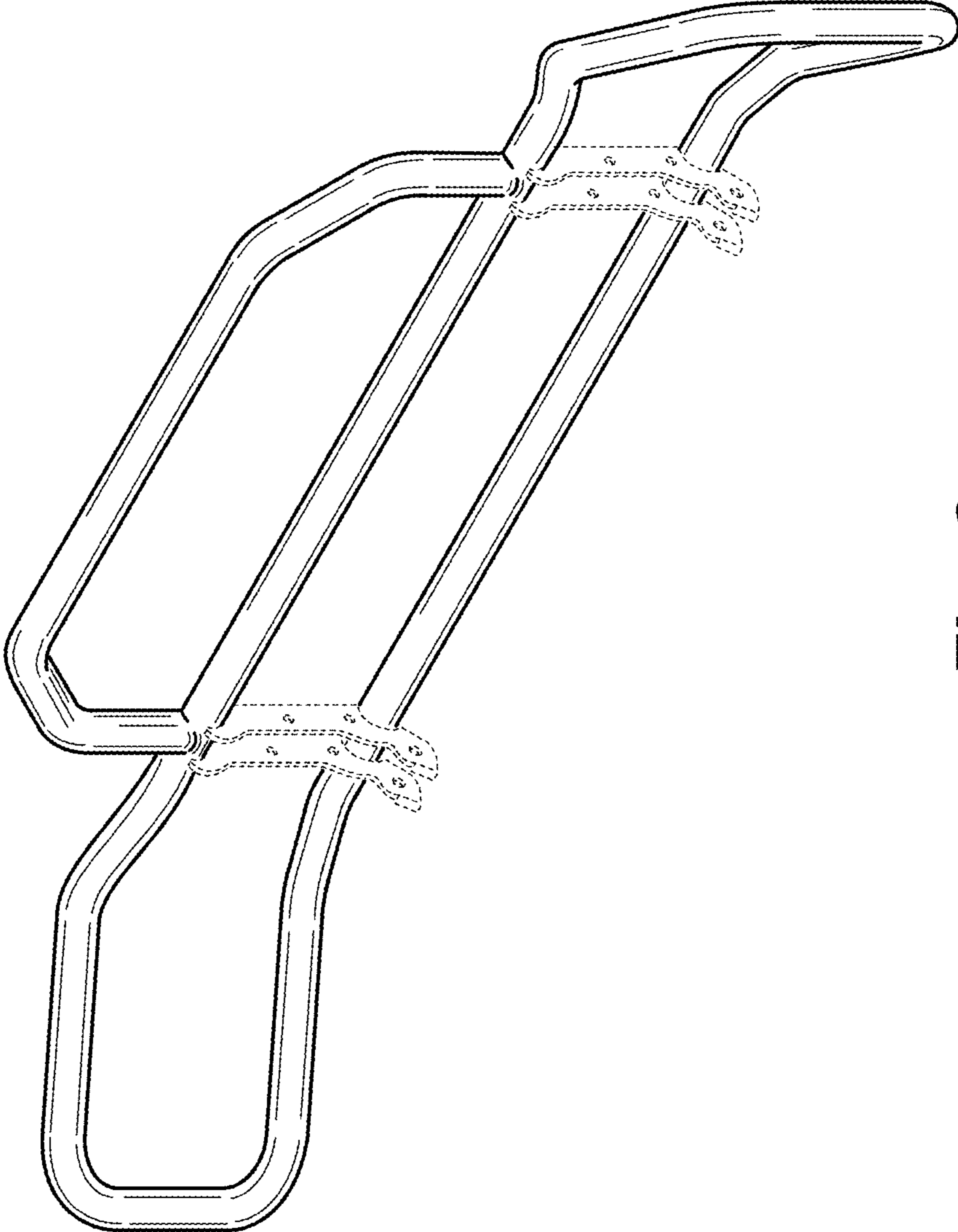


Fig. 2

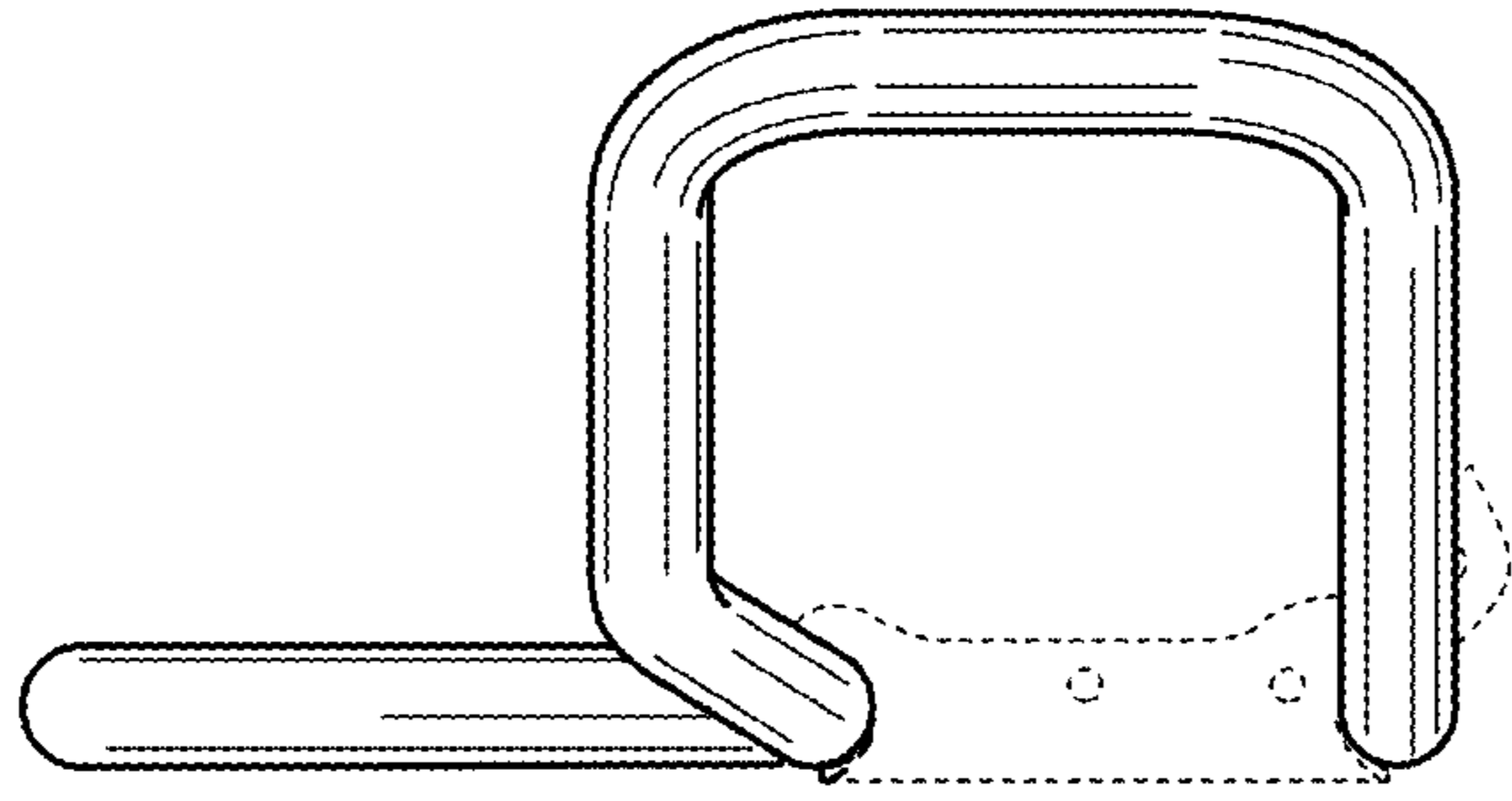


Fig. 4

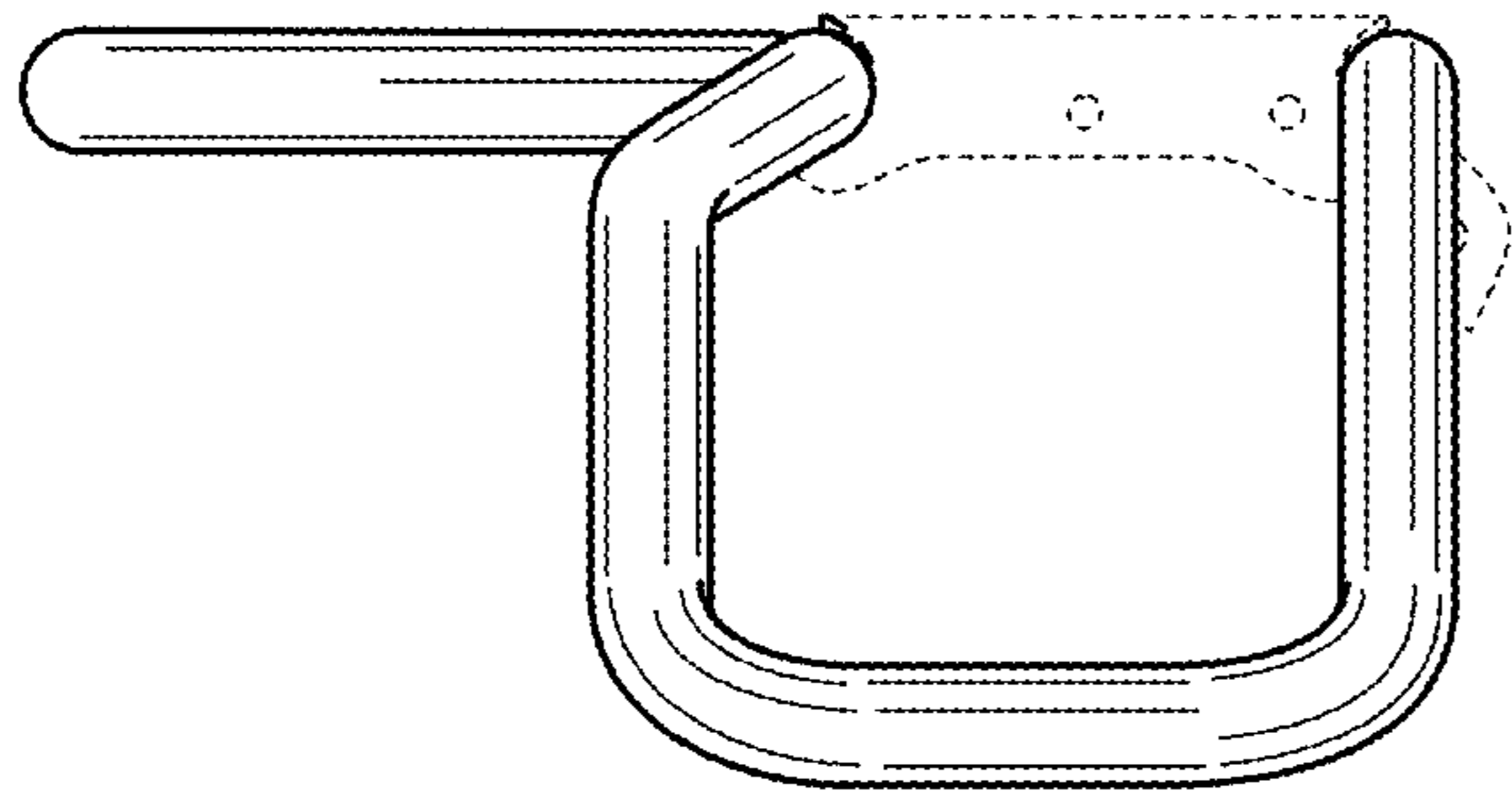


Fig. 3

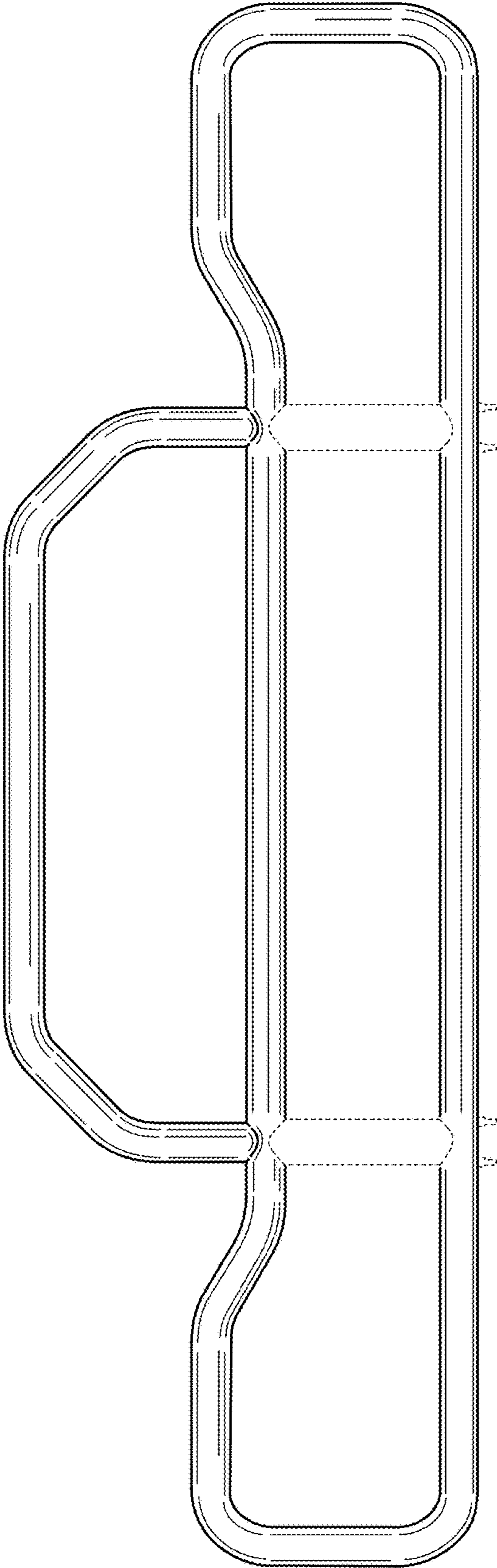


Fig. 5

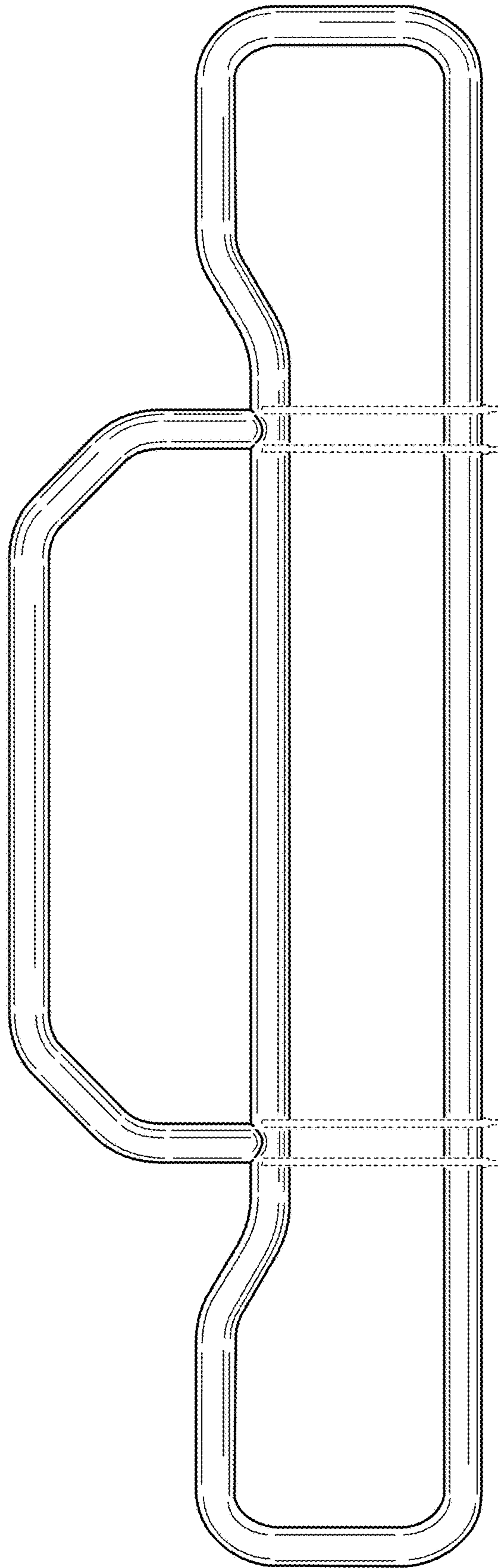


Fig. 6

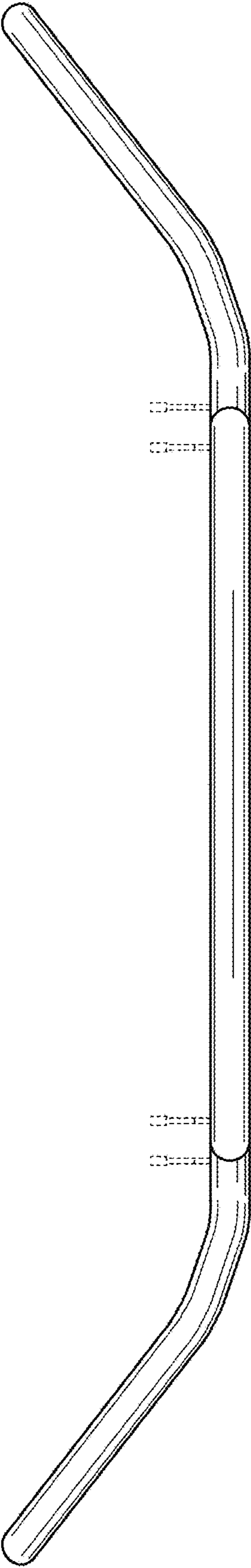


Fig. 7

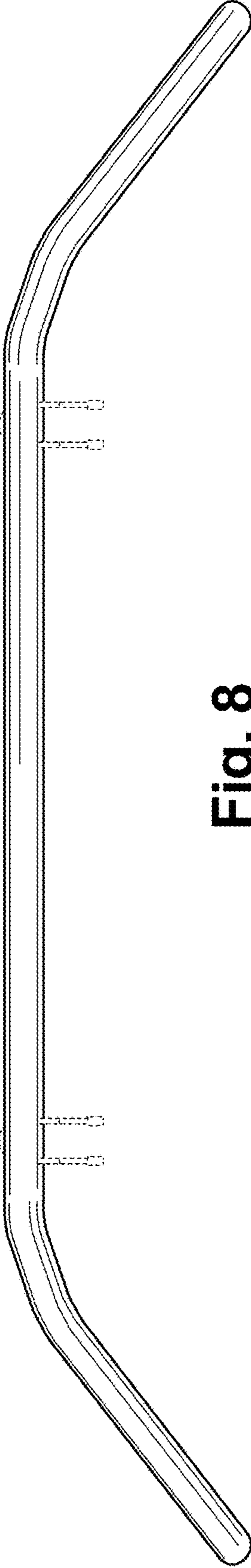


Fig. 8