



US00D811291S

(12) **United States Design Patent**
Ishigaki

(10) **Patent No.:** **US D811,291 S**

(45) **Date of Patent:** **** Feb. 27, 2018**

(54) **FRONT BUMPER FOR AUTOMOBILE**

(71) Applicant: **Honda Motor Co., Ltd.**, Tokyo (JP)

(72) Inventor: **Shingo Ishigaki**, Wako (JP)

(73) Assignee: **Honda Motor Co., Ltd.**, Tokyo (JP)

(**) Term: **15 Years**

(21) Appl. No.: **29/589,580**

(22) Filed: **Jan. 3, 2017**

(30) **Foreign Application Priority Data**

Jul. 8, 2016 (JP) 2016-014573

(51) **LOC (11) Cl.** **12-16**

(52) **U.S. Cl.**
USPC **D12/169**

(58) **Field of Classification Search**
USPC D12/169, 216, 90-92, 86, 171, 196, 163;
293/102, 113, 115, 117, 120; 296/180.1,
296/180.2

CPC B60R 19/02; B60R 19/04; B62D 25/08
See application file for complete search history.

(56) **References Cited**

U.S. PATENT DOCUMENTS

D641,296 S * 7/2011 Schell D12/169
D682,166 S * 5/2013 Minami D12/169
D700,114 S * 2/2014 Wada D12/169
D701,152 S * 3/2014 Saracoglu D12/169

D703,117 S * 4/2014 Osborne D12/169
D712,801 S * 9/2014 Kobayashi D12/169
D717,219 S * 11/2014 Murakawa D12/169
D719,072 S * 12/2014 Robinson D12/169
D721,021 S * 1/2015 Hanaoka D12/169
D733,624 S * 7/2015 Morikawa D12/169
D738,270 S * 9/2015 Blanski D12/169
D743,854 S * 11/2015 Miyazawa D12/169
D743,855 S * 11/2015 Miyazawa D12/169
D750,000 S * 2/2016 Han D12/169
D760,631 S * 7/2016 Choi D12/169
D772,117 S * 11/2016 Davidson D12/169

* cited by examiner

Primary Examiner — Melody N Brown

(74) *Attorney, Agent, or Firm* — Plumsea Law Group, LLC

(57) **CLAIM**

The ornamental design for a front bumper for automobile, as shown and described.

DESCRIPTION

FIG. 1 is a front perspective view of a front bumper for automobile.

FIG. 2 is a front elevation view thereof.

FIG. 3 is a top plan view thereof.

FIG. 4 is a bottom plan view thereof.

FIG. 5 is a right side elevation view thereof; and,

FIG. 6 is a left side elevation view thereof.

The broken lines in the drawings illustrate portions of the front bumper for automobile that form no part of the claimed design.

1 Claim, 6 Drawing Sheets

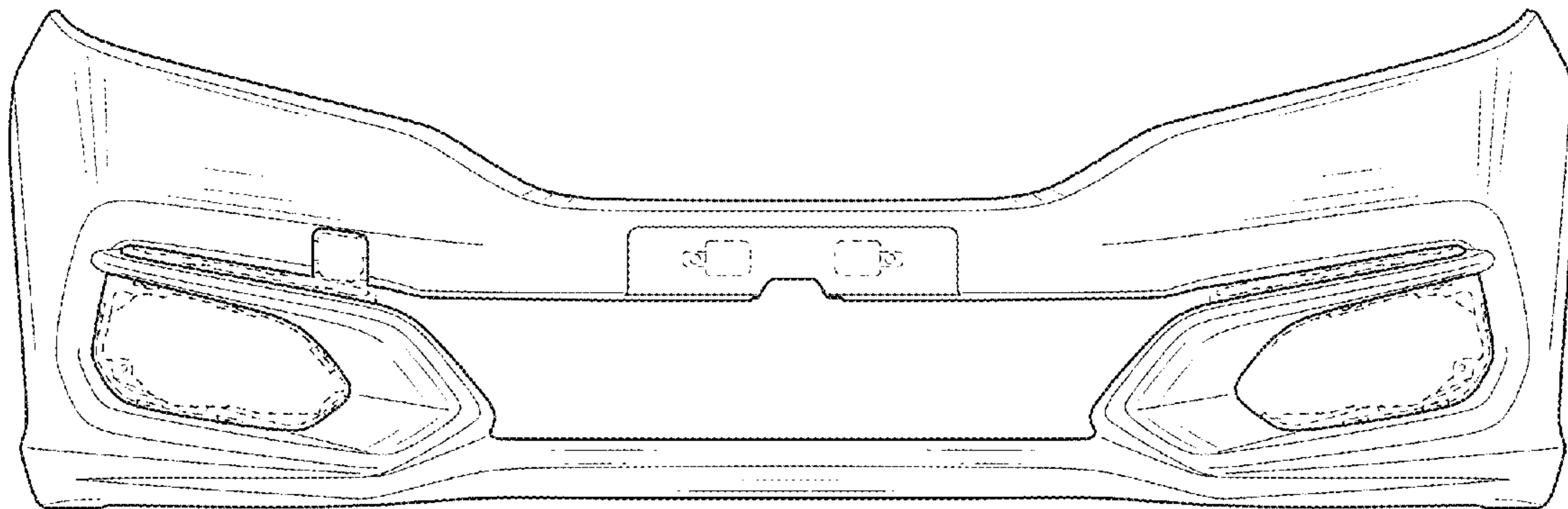


FIG. 1

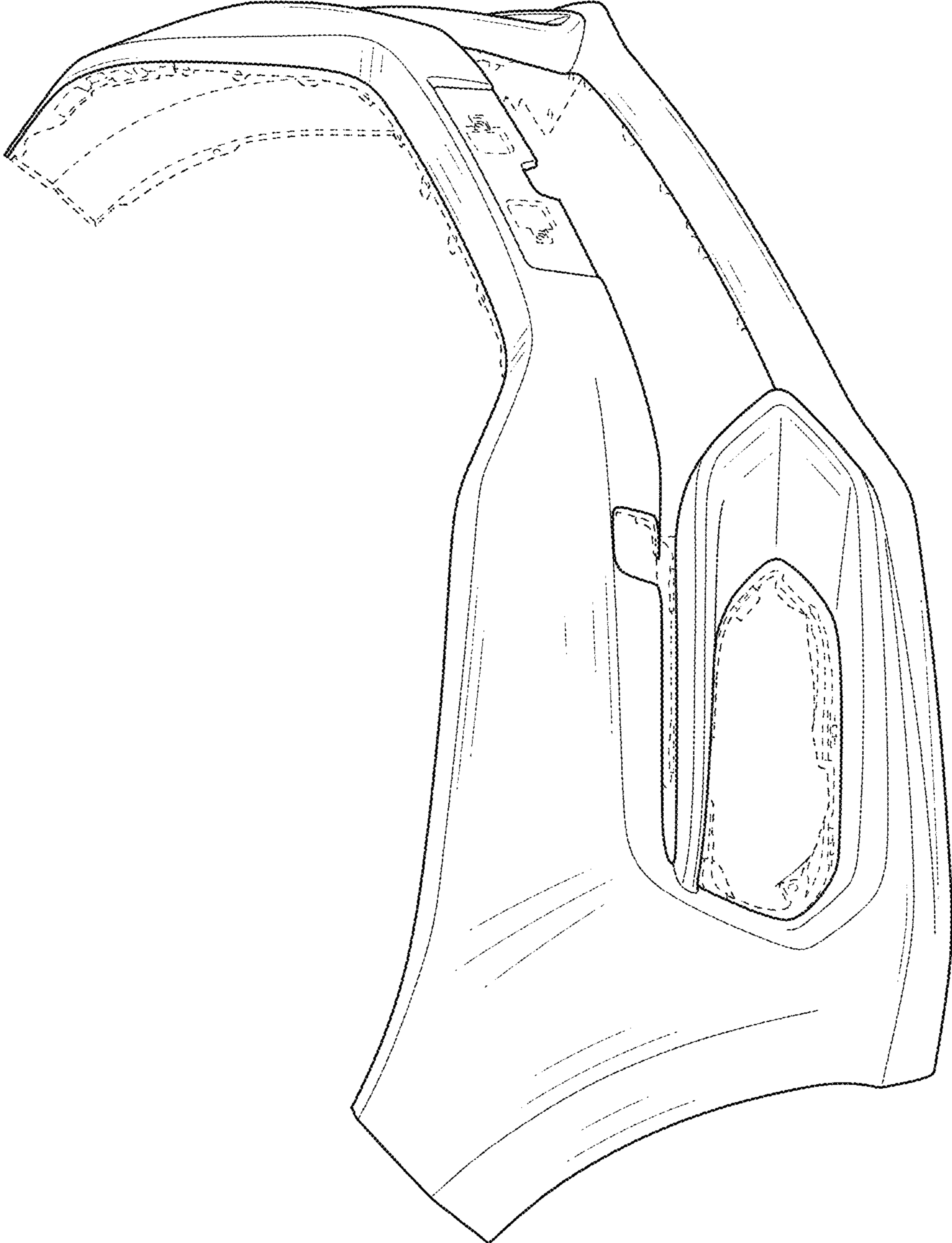


FIG. 2

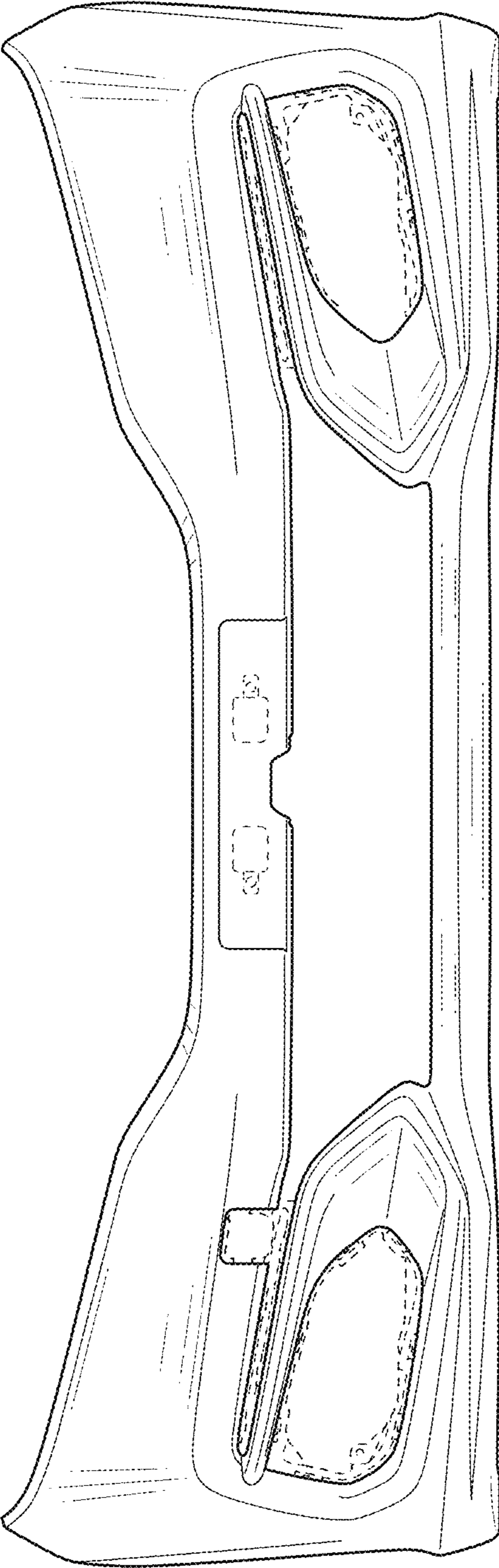


FIG. 3

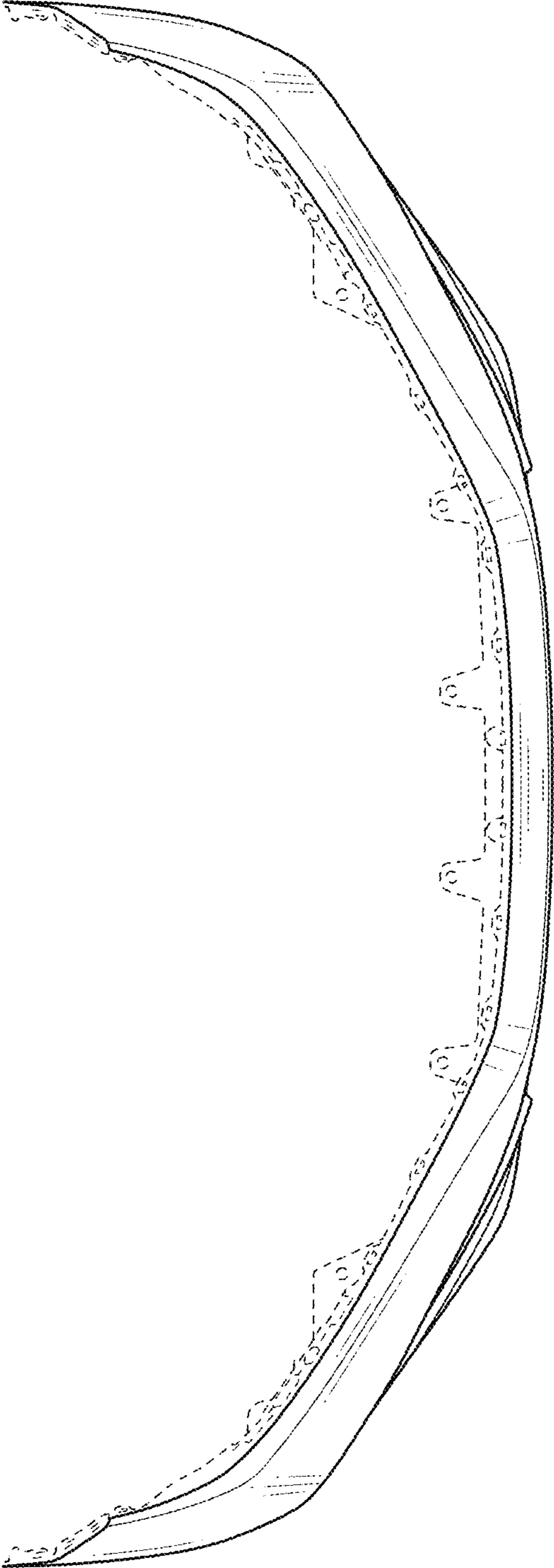


FIG. 4

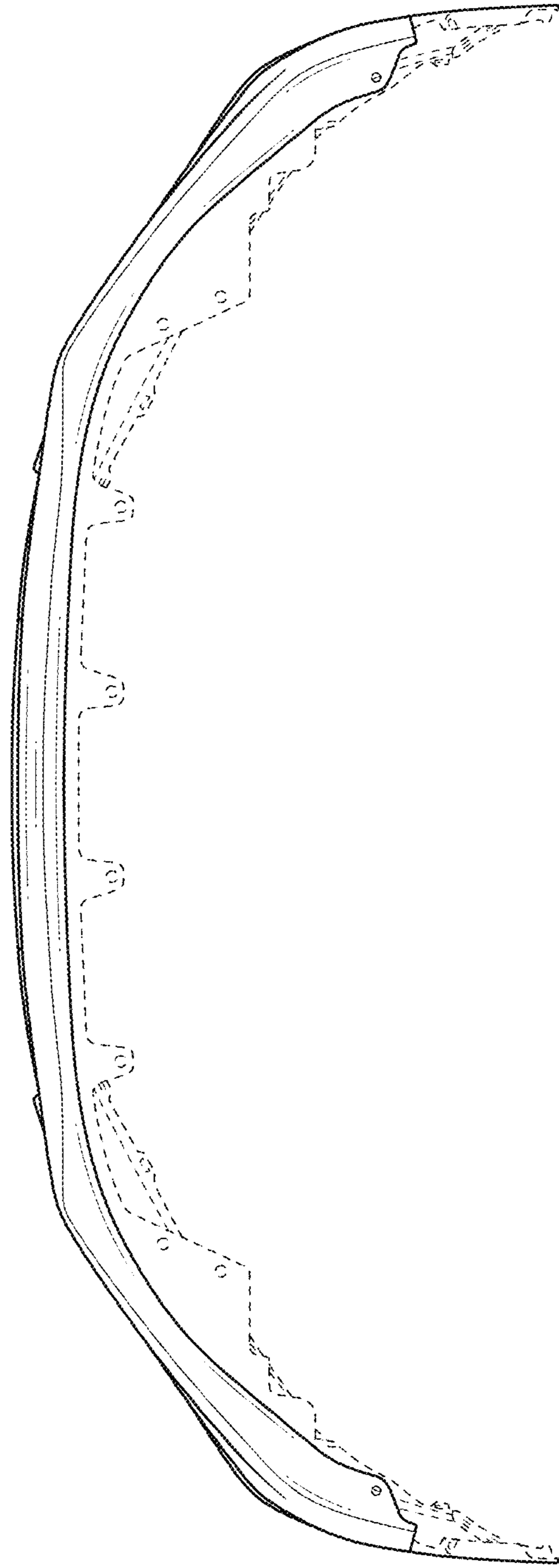


FIG. 5

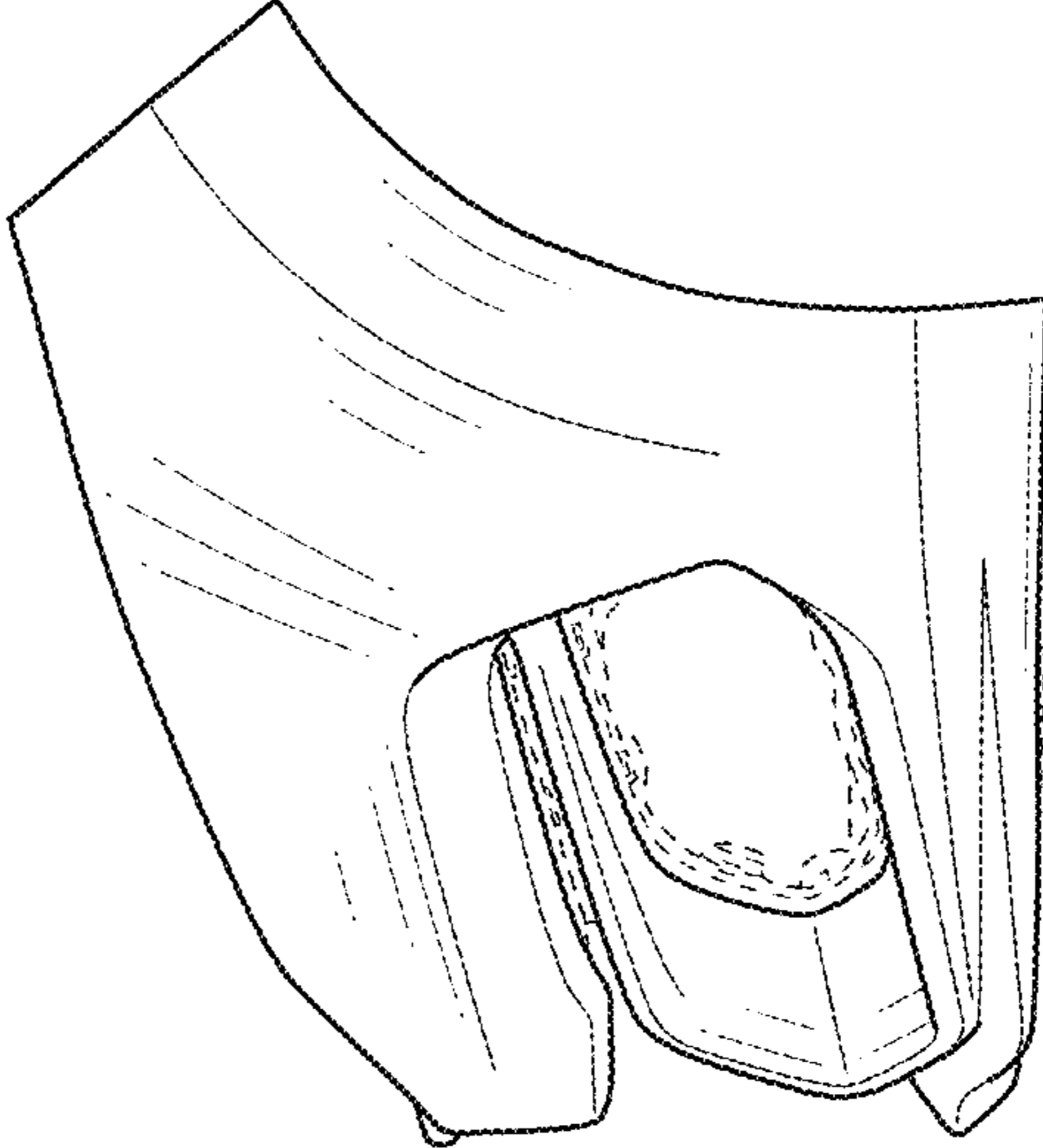


FIG. 6

