



US00D811289S

(12) **United States Design Patent** (10) **Patent No.:** **US D811,289 S**  
**Bucher et al.** (45) **Date of Patent:** **\*\* Feb. 27, 2018**

(54) **VEHICLE REAR LOWER BUMPER COVER**

(71) Applicant: **Ford Global Technologies, LLC**,  
Dearborn, MI (US)

(72) Inventors: **George Bucher**, Dearborn, MI (US);  
**Dean Carbis**, Bloomfield Hills, MI  
(US); **Shawn Yu**, Canton, MI (US)

(73) Assignee: **Ford Global Technologies, LLC**,  
Dearborn, MI (US)

(\*\*) Term: **15 Years**

(21) Appl. No.: **29/583,162**

(22) Filed: **Nov. 2, 2016**

(51) **LOC (11) Cl.** ..... **12-16**

(52) **U.S. Cl.**  
USPC ..... **D12/169**; D12/167

(58) **Field of Classification Search**  
USPC ..... D12/86, 90, 91, 92, 163, 164, 167, 169,  
D12/171, 196, 216  
CPC ..... B60R 19/02; B60R 19/18; B60R 19/24;  
B60R 19/56; B60R 2019/007  
See application file for complete search history.

(56) **References Cited**

**U.S. PATENT DOCUMENTS**

D576,927 S *	9/2008	Hettler	.....	D12/169
D578,448 S *	10/2008	Sawai	.....	D12/169
D583,730 S *	12/2008	Tonello	.....	D12/169
D605,568 S *	12/2009	Ward	.....	D12/169
D607,788 S *	1/2010	Kulla	.....	D12/169
D610,056 S *	2/2010	Ishibashi	.....	D12/169
D610,498 S *	2/2010	Truebsbach	.....	D12/169
D639,215 S *	6/2011	Faghihzadeh	.....	D12/169
D659,610 S *	5/2012	Tanaka	.....	D12/169
D663,658 S *	7/2012	Karras	.....	D12/169
D670,625 S *	11/2012	Frei	.....	D12/169
D673,088 S *	12/2012	Thompson	.....	D12/169
D674,731 S *	1/2013	Nagafuchi	.....	D12/169

D684,905 S *	6/2013	Tase	.....	D12/169
D687,752 S *	8/2013	Fetherston	.....	D12/169
D688,605 S *	8/2013	Futschik	.....	D12/169
D695,162 S *	12/2013	Scheinhutte	.....	D12/169
D701,806 S *	4/2014	Hildebrand	.....	D12/169
D702,160 S *	4/2014	Miyazawa	.....	D12/169
D721,993 S *	2/2015	Nordmann	.....	D12/169
D724,504 S *	3/2015	Hall	.....	D12/169

(Continued)

**FOREIGN PATENT DOCUMENTS**

CN 201130310745.5 3/2012

**OTHER PUBLICATIONS**

Brad Anderson <http://www.carscoops.com/2016/02/ford-ecosport-tipped-to-reach-us-shores.html> Ford EcoSport Tipped to Reach US Shores, dated Feb. 13, 2016.

(Continued)

*Primary Examiner* — Darlington Ly

(74) *Attorney, Agent, or Firm* — James Dottavio

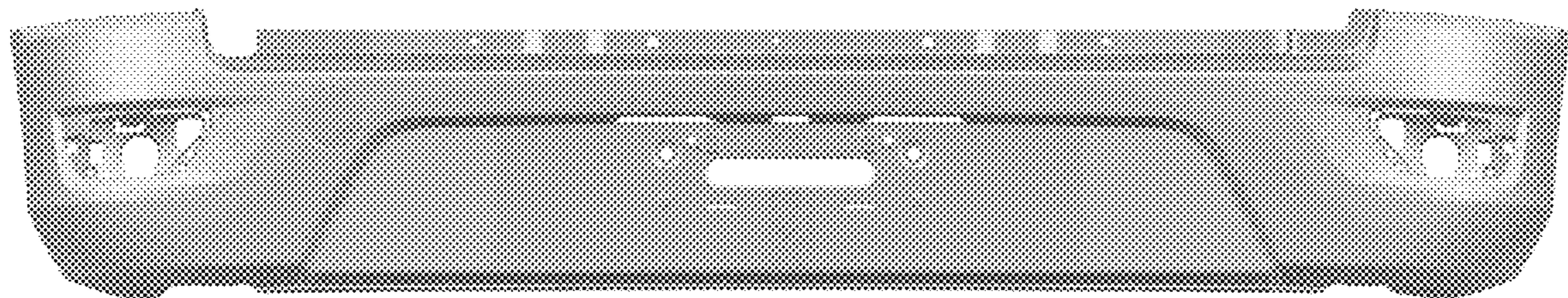
(57) **CLAIM**

The ornamental design for a vehicle rear lower bumper cover, as shown and described.

**DESCRIPTION**

FIG. 1 is a top, front, and left side perspective view of a vehicle rear lower bumper cover showing our new design; FIG. 2 is a bottom, front, and left side perspective view thereof; FIG. 3 is a top, rear, and left side perspective view thereof; FIG. 4 is a front elevational view thereof; FIG. 5 is a rear elevational view thereof; FIG. 6 is a left side elevational view thereof; FIG. 7 is a right side elevational view thereof; FIG. 8 is a top plan view thereof; and, FIG. 9 is a bottom plan view thereof.

**1 Claim, 9 Drawing Sheets**



(56)

**References Cited**

U.S. PATENT DOCUMENTS

D734,222 S \* 7/2015 Duff ..... D12/169  
 D735,097 S \* 7/2015 Nissl ..... D12/169  
 D735,624 S \* 8/2015 Sperling ..... D12/169  
 D745,838 S \* 12/2015 Yamamoto ..... D12/169  
 D746,188 S \* 12/2015 Nakagawa ..... D12/169  
 D753,032 S \* 4/2016 Smith ..... D12/169  
 D753,035 S \* 4/2016 Boniface ..... D12/169  
 D766,146 S \* 9/2016 Kapitonov ..... D12/169  
 D766,786 S \* 9/2016 Varga ..... D12/169  
 D766,789 S \* 9/2016 Kapitonov ..... D12/169  
 D767,453 S \* 9/2016 Kim ..... D12/169  
 D772,118 S \* 11/2016 Schneider ..... D12/169  
 D773,351 S \* 12/2016 Munakata ..... D12/169  
 D773,353 S \* 12/2016 Munakata ..... D12/169  
 D773,354 S \* 12/2016 Liu ..... D12/169  
 D773,355 S \* 12/2016 Kawaguchi ..... D12/169  
 D773,966 S \* 12/2016 Choi ..... D12/169

D776,021 S \* 1/2017 Kapitonov ..... D12/169  
 D779,395 S \* 2/2017 Horie ..... D12/169  
 D793,299 S \* 8/2017 Krieg ..... D12/169  
 D800,031 S \* 10/2017 Jung ..... D12/169

OTHER PUBLICATIONS

Unknown <http://www.2017suv.net/2018-ford-ecosport-release-2017-in-usa/> 2018 Ford EcoSport Release 2017 in USA dated Feb. 20, 2016.  
 Brandon Turkus <http://www.autoblog.com/2016/04/25/ford-ecosport-spy-shots-us/> Ford EcoSport spotted in US with Escape-inspired face dated Apr. 25, 2016.  
 Unknown <http://www.oncars.in/car-news/spoted-2017-ford-ecosport-reveals-front-facia-india-launch-by-next-year/10372> Spotted: 2017 Ford EcoSport reveals front facia; India launch by next year dated Apr. 28, 2016.

\* cited by examiner



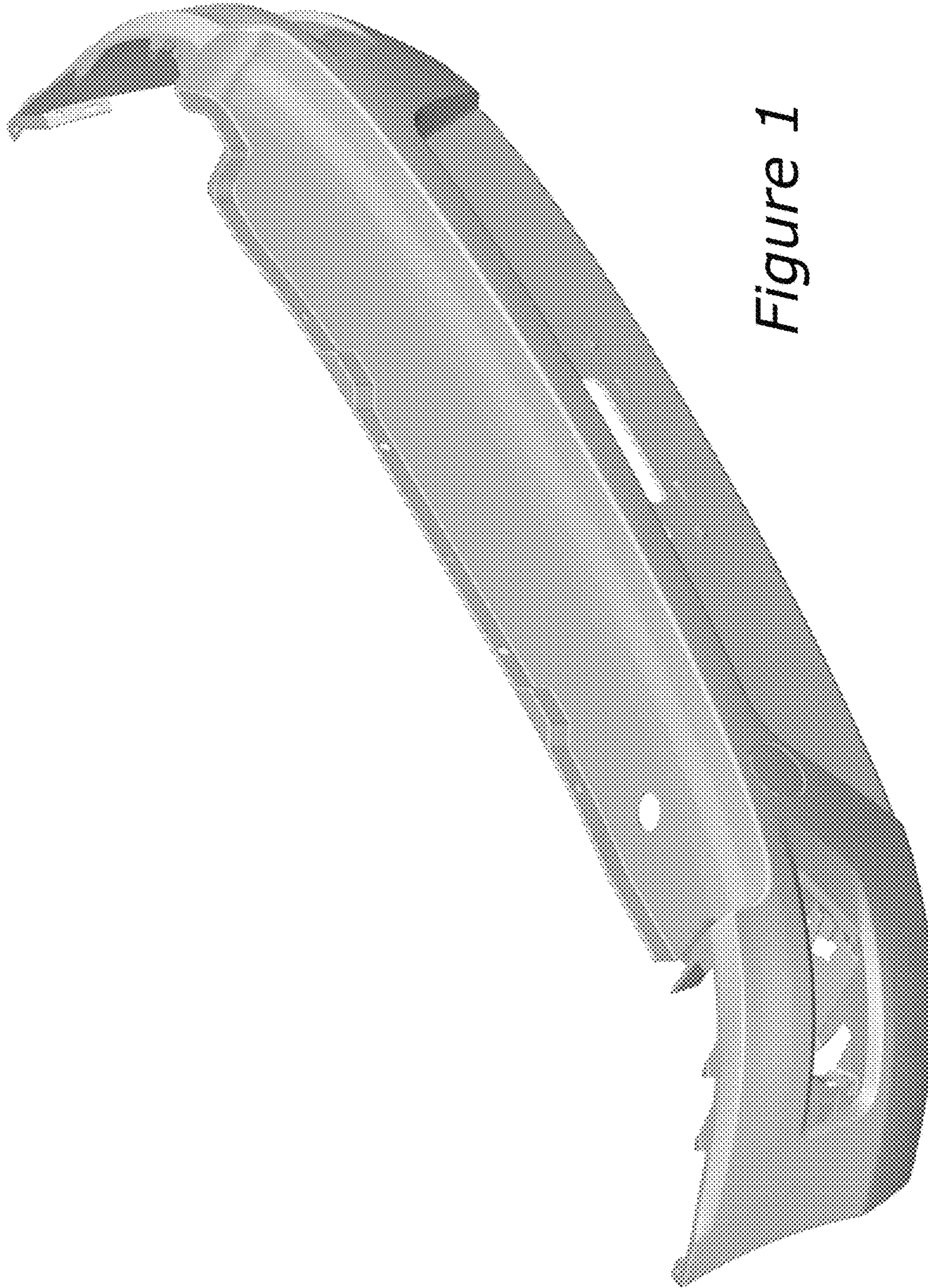


Figure 1





Figure 2

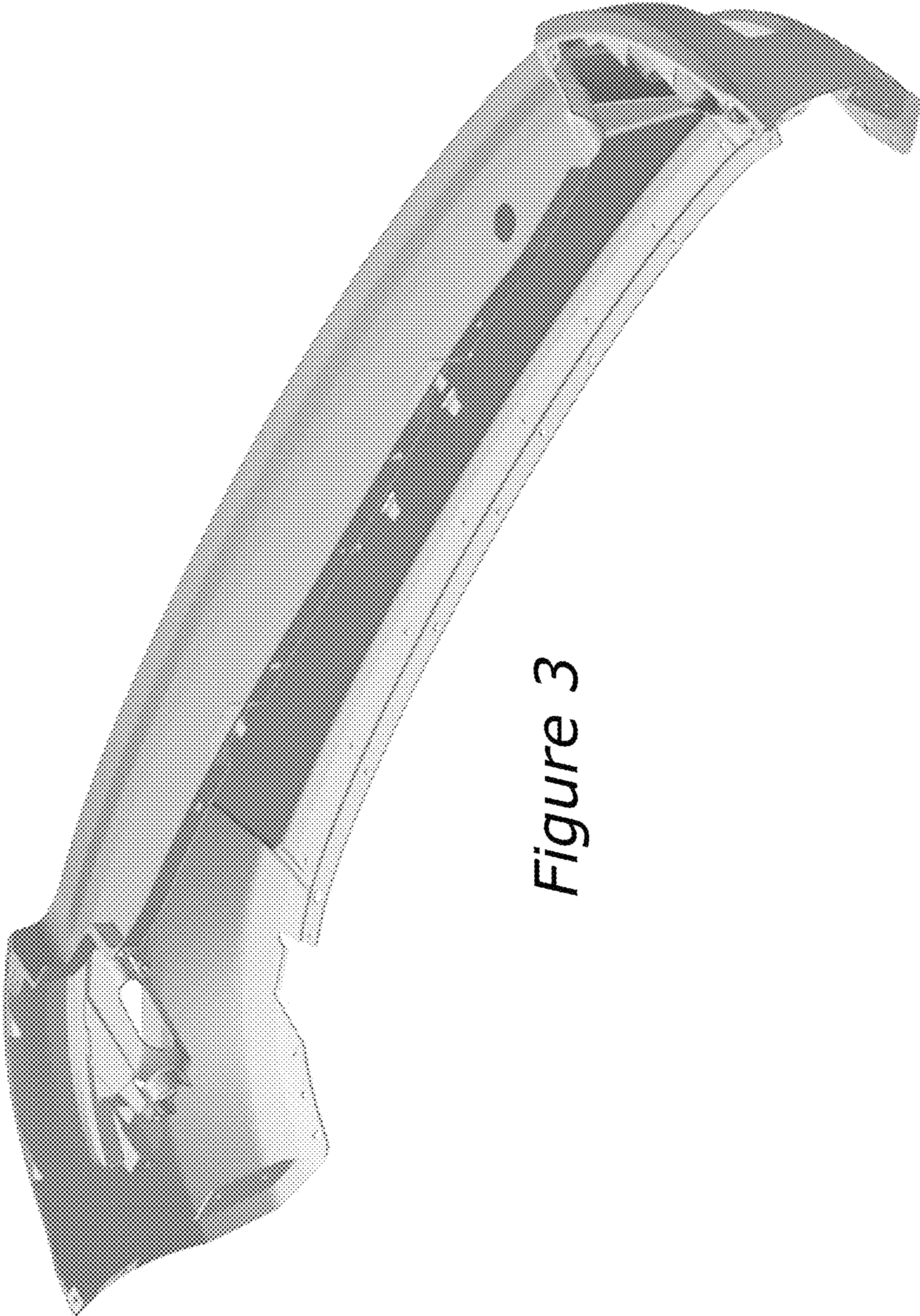


Figure 3



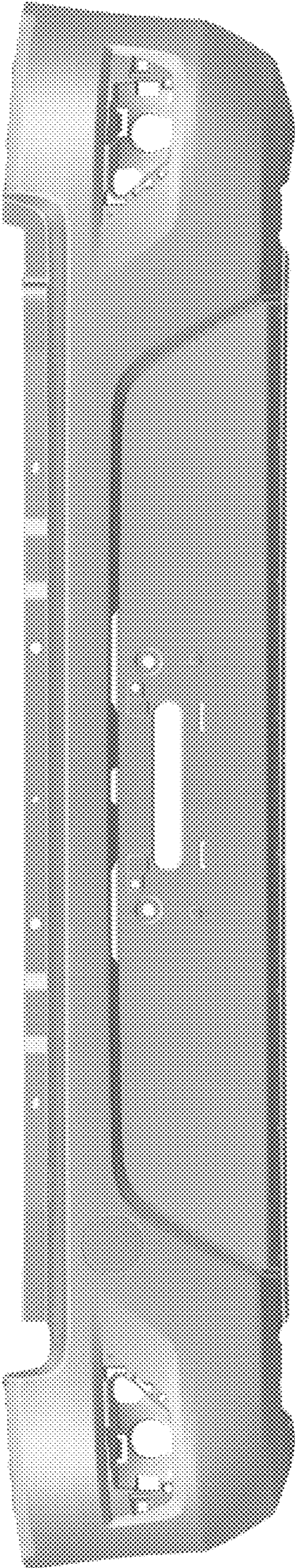


Figure 4



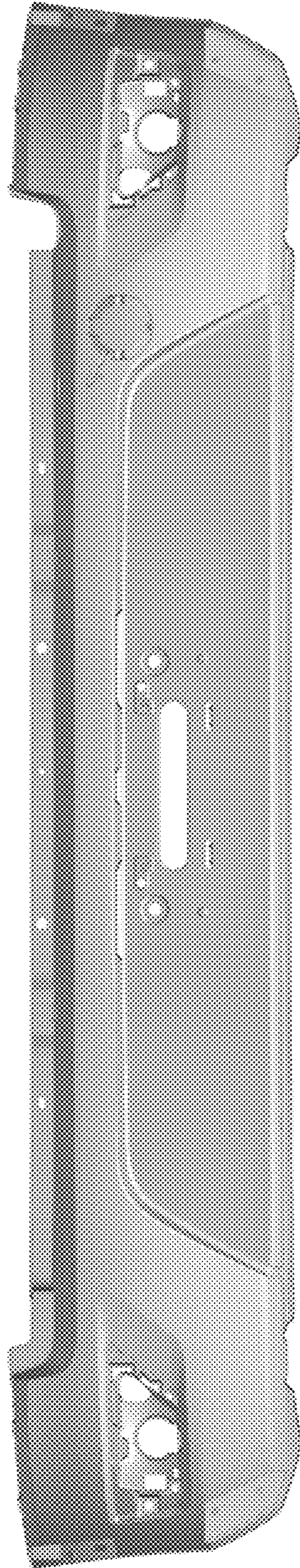
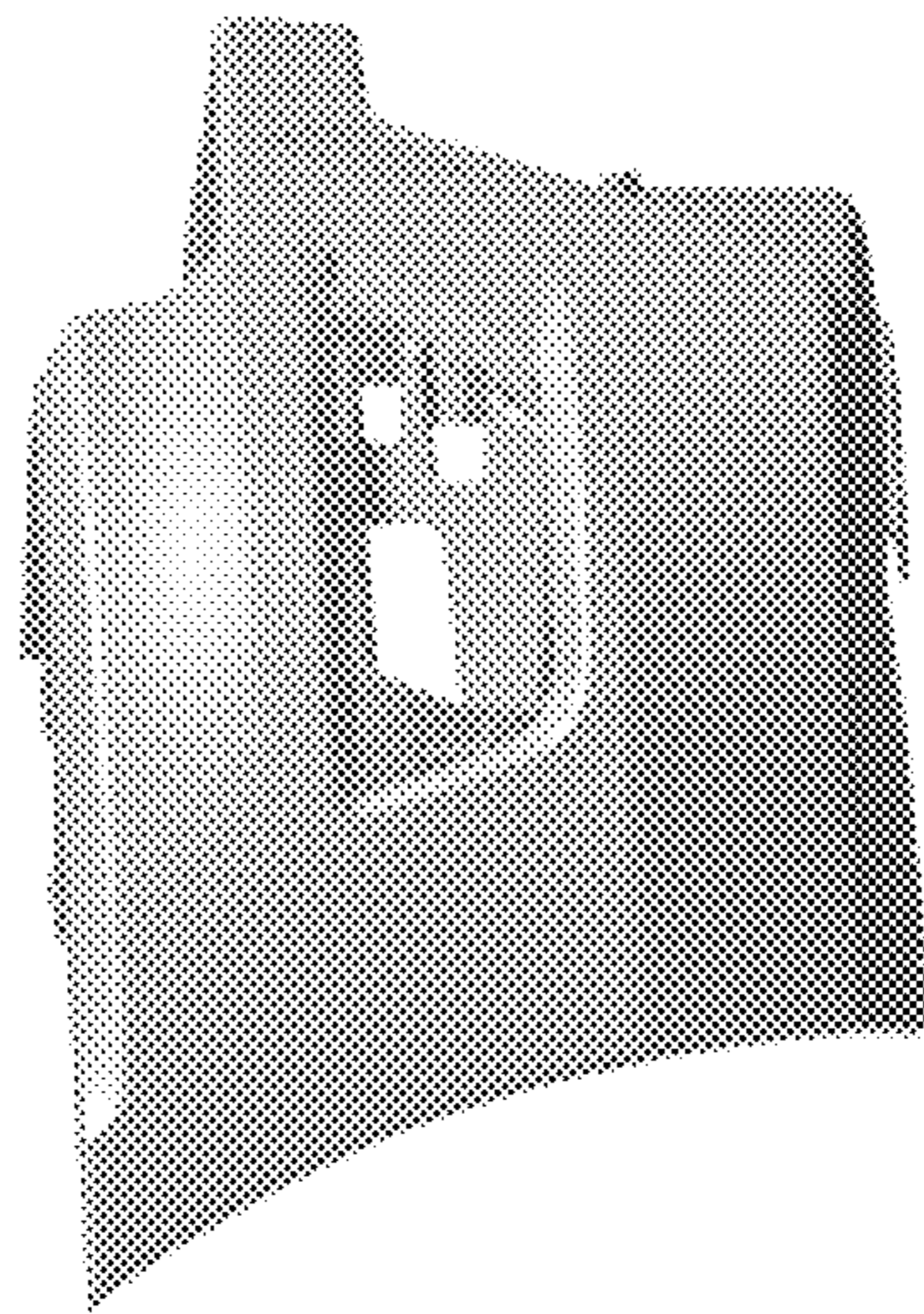
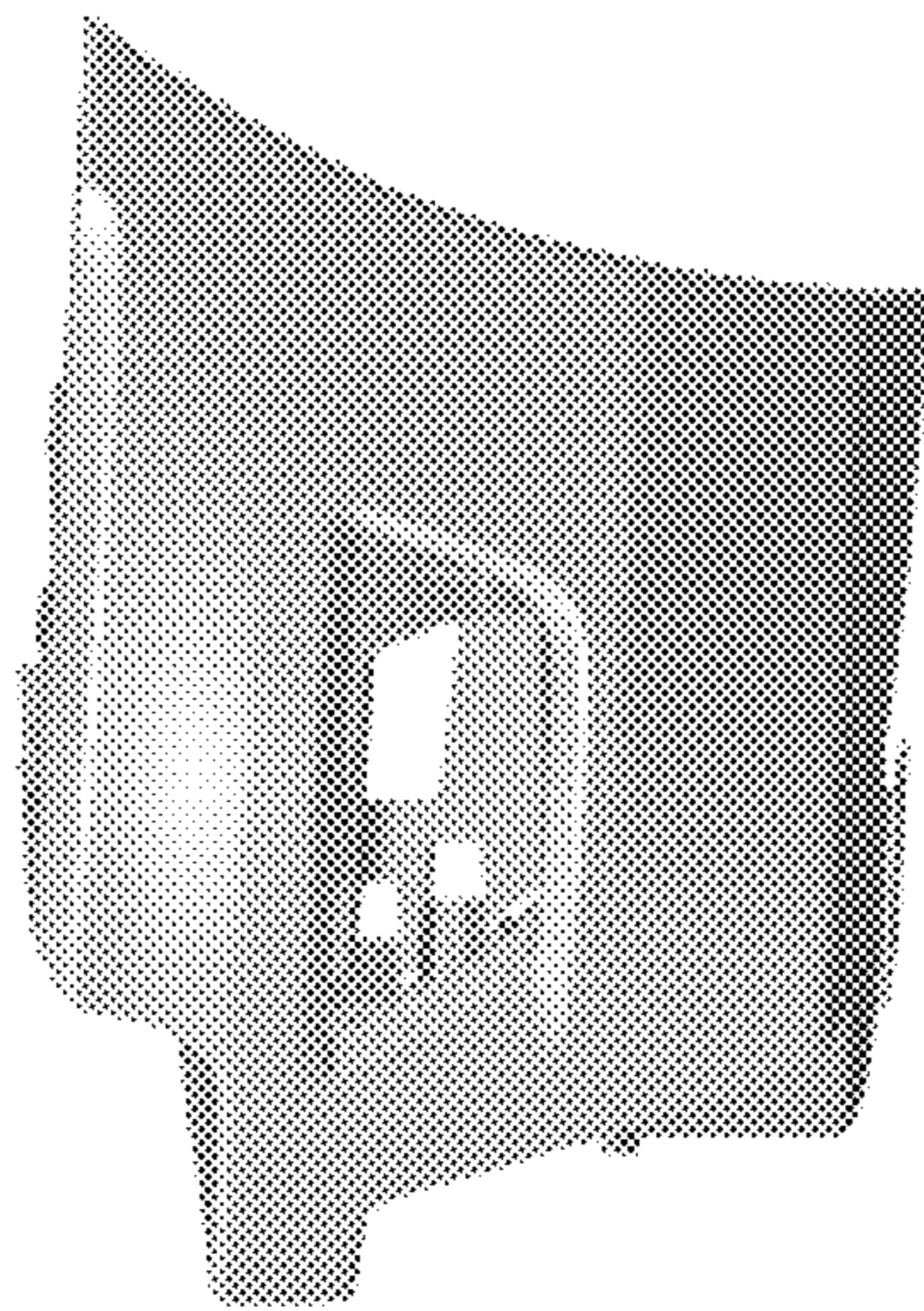


Figure 5



*Figure 6*





*Figure 7*

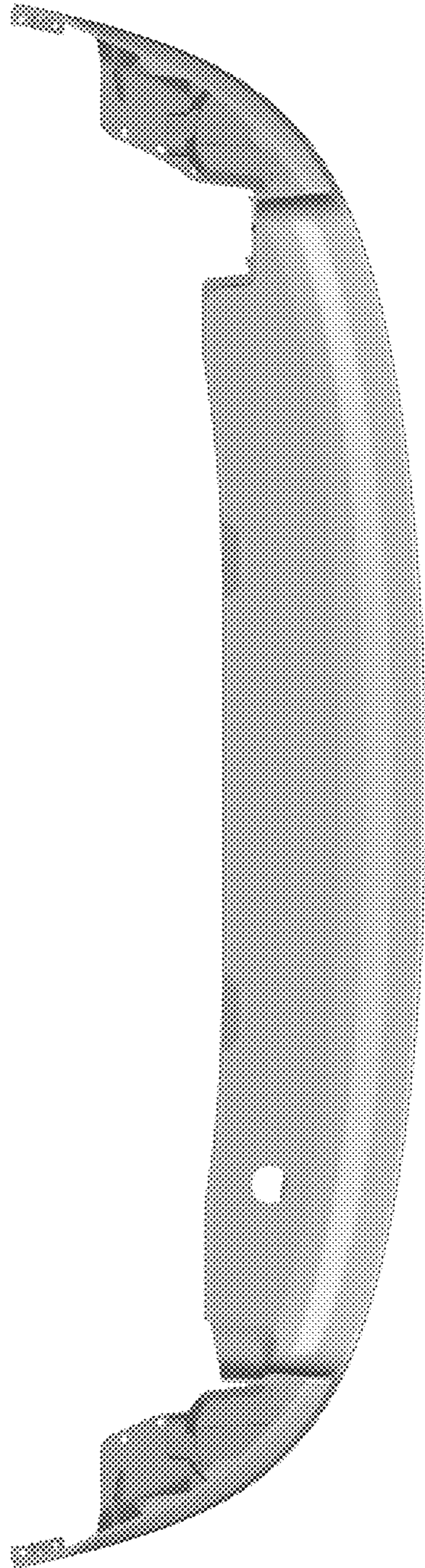


Figure 8



Figure 9

