



US00D811288S

(12) **United States Design Patent** (10) **Patent No.:** **US D811,288 S**
Bucher et al. (45) **Date of Patent:** **** Feb. 27, 2018**

(54) **VEHICLE FRONT UPPER BUMPER COVER**

(71) Applicant: **Ford Global Technologies, LLC,**
Dearborn, MI (US)

(72) Inventors: **George Bucher,** Dearborn, MI (US);
Dean Carbis, Bloomfield Hills, MI
(US); **Shawn Yu,** Canton, MI (US)

(73) Assignee: **Ford Global Technologies, LLC,**
Dearborn, MI (US)

(**) Term: **15 Years**

(21) Appl. No.: **29/583,156**

(22) Filed: **Nov. 2, 2016**

(51) **LOC (11) Cl.** **12-16**

(52) **U.S. Cl.**
USPC **D12/169; 12/167**

(58) **Field of Classification Search**
USPC D12/86, 90, 91, 92, 163, 164, 167, 169,
D12/171, 196, 216
CPC B60R 19/02; B60R 19/18; B60R 19/24;
B60R 19/56; B60R 2019/007
See application file for complete search history.

(56) **References Cited**

U.S. PATENT DOCUMENTS

D626,469 S *	11/2010	Yanase	D12/169
D626,473 S *	11/2010	Mueller	D12/169
D708,997 S *	7/2014	Koizumi	D12/169
D717,703 S *	11/2014	Munson	D12/169
D718,677 S *	12/2014	Whang	D12/169
D745,446 S *	12/2015	Takahashi	D12/169
D749,997 S *	2/2016	McMahan	D12/169
D760,130 S *	6/2016	Arroba	D12/169
D760,132 S *	6/2016	Choi	D12/169

D760,631 S *	7/2016	Choi	D12/169
D770,950 S *	11/2016	Bucher	D12/169
D773,349 S *	12/2016	Munakata	D12/169
D775,010 S *	12/2016	Kim	D12/169
D781,190 S *	3/2017	Choi	D12/169
D789,846 S *	6/2017	Curic	D12/169
D793,926 S *	8/2017	Potter	D12/169
D800,035 S *	10/2017	Takamatsu	D12/169

OTHER PUBLICATIONS

Brad Anderson <http://www.carscoops.com/2016/02/ford-ecosport-tipped-to-reach-us-shores.html> Ford EcoSport Tipped to Reach U.S. Shores, dated Feb. 13, 2016.

Unknown <http://www.2017suv.net/2018-ford-ecosport-release-2017-in-usa/> 2018 Ford EcoSport Release 2017 in USA dated Feb. 20, 2016.

(Continued)

Primary Examiner — Darlington Ly

(74) *Attorney, Agent, or Firm* — James Dottavio

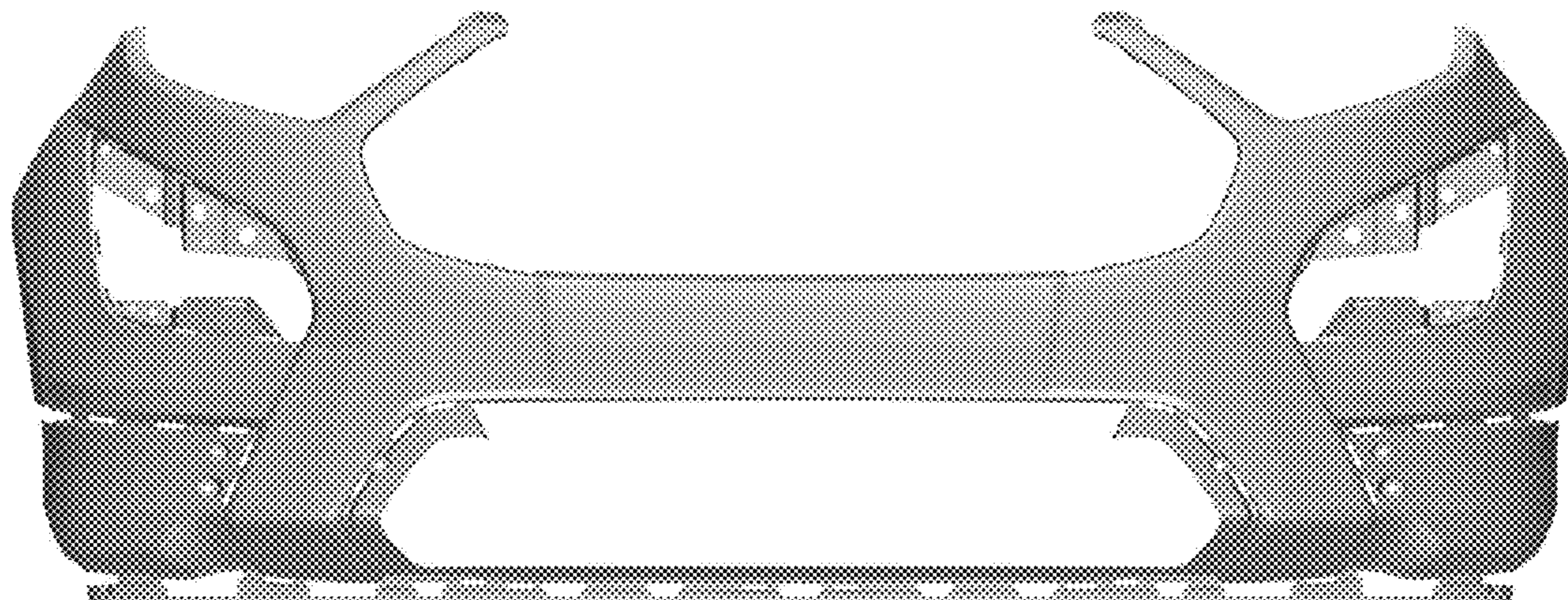
(57) **CLAIM**

The ornamental design for a vehicle front upper bumper cover, as shown and described.

DESCRIPTION

FIG. 1 is a top, front, and left side perspective view of a vehicle front upper bumper cover showing our new design; FIG. 2 is a bottom, front, and left side perspective view thereof; FIG. 3 is a top, rear, and left side perspective view thereof; FIG. 4 is a front elevational view thereof; FIG. 5 is a rear elevational view thereof; FIG. 6 is a left side elevational view thereof; FIG. 7 is a right side elevational view thereof; FIG. 8 is a top plan view thereof; and, FIG. 9 is a bottom plan view thereof.

1 Claim, 9 Drawing Sheets



(56)

References Cited

OTHER PUBLICATIONS

Brandon Turkus <http://www.autoblog.com/2016/04/25/ford-ecosport-spy-shots-us/> Ford EcoSport spotted in U.S. with Escape-inspired face dated Apr. 25, 2016.

Unknown <http://www.oncars.in/car-news/spotod-2017-ford-ecosport-reveals-front-facia-india-launch-by-next-year/10372>

Spotted: 2017 Ford EcoSport reveals front facia; India launch by next year dated Apr. 28, 2016.

* cited by examiner

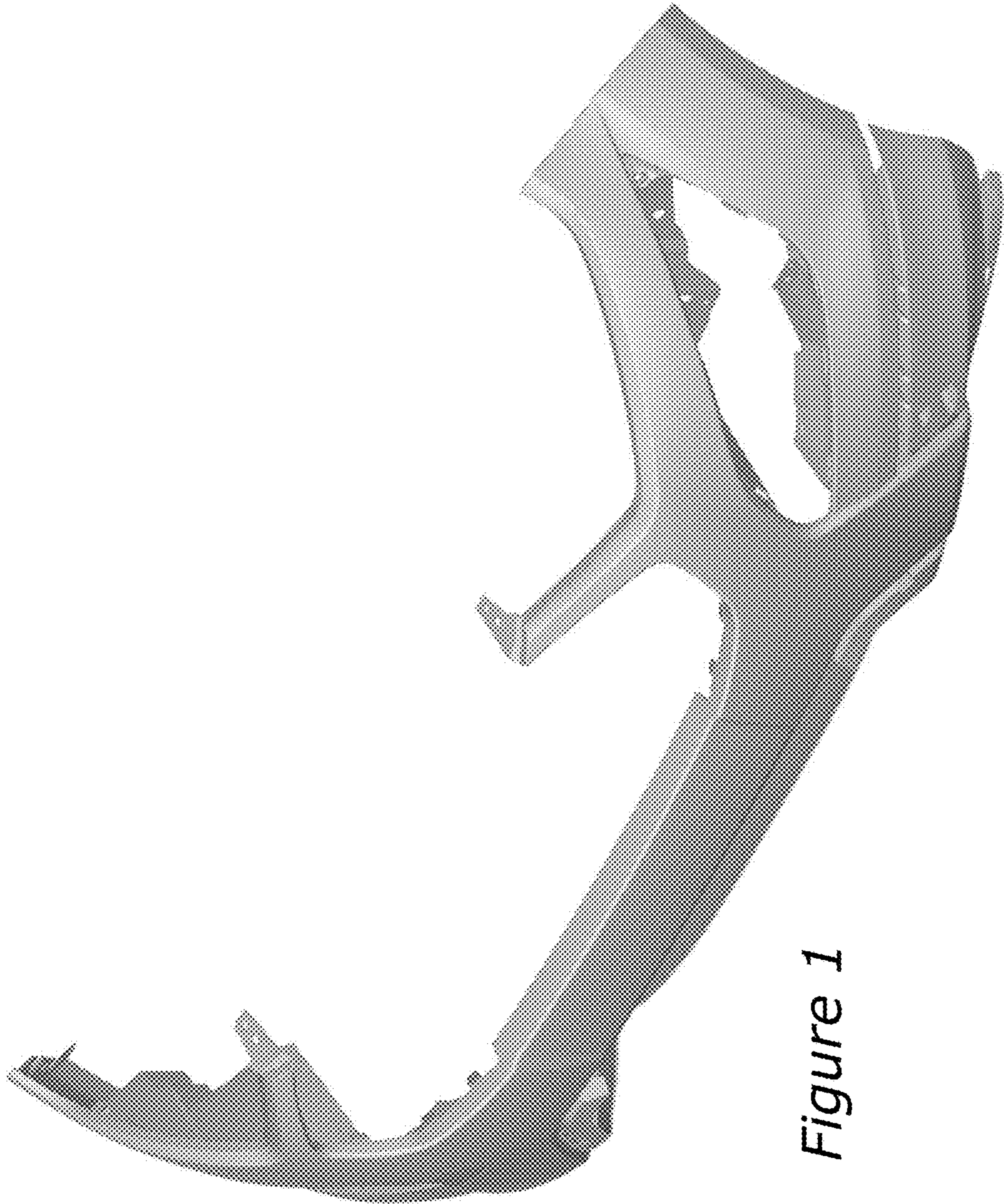


Figure 1



Figure 2

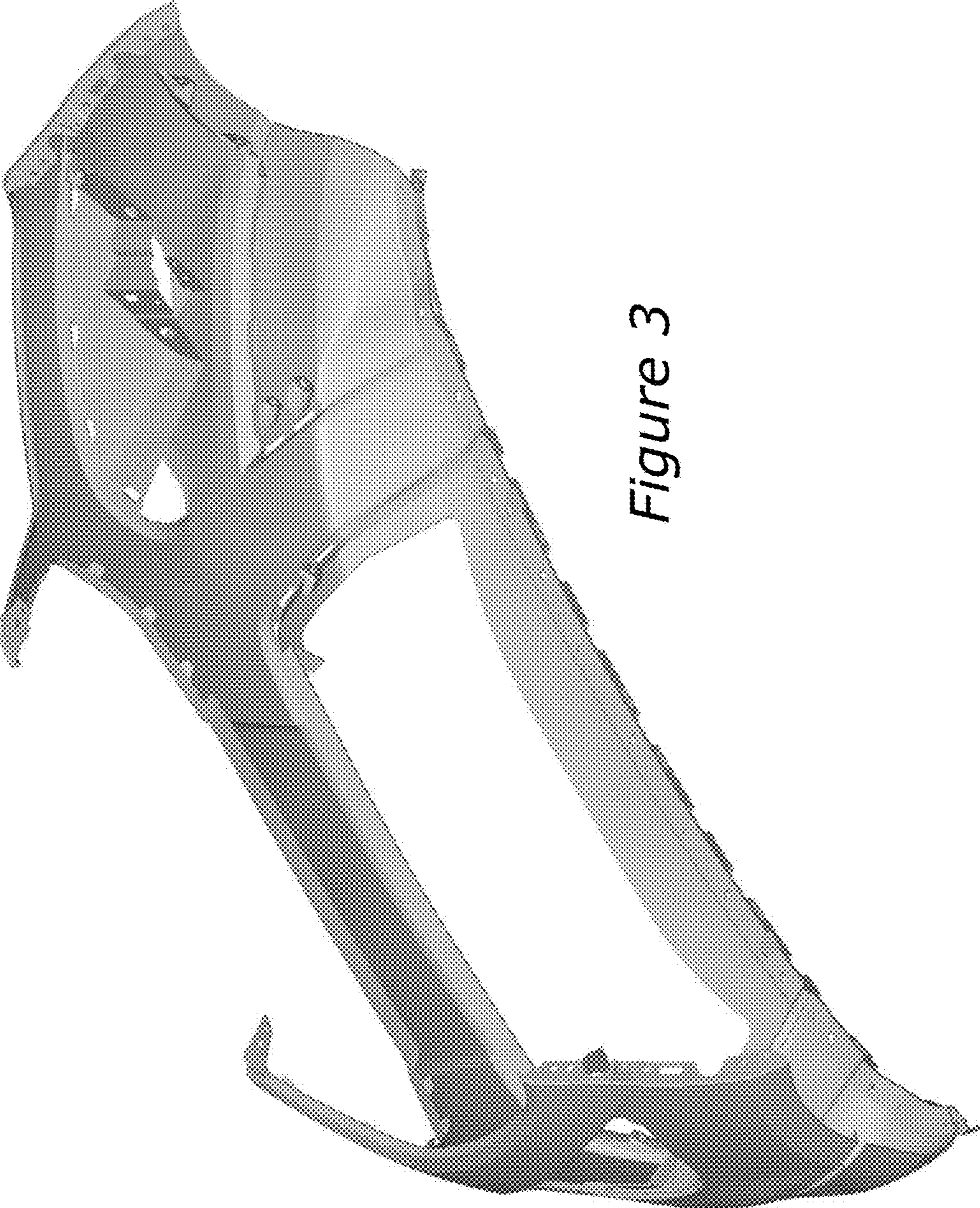


Figure 3

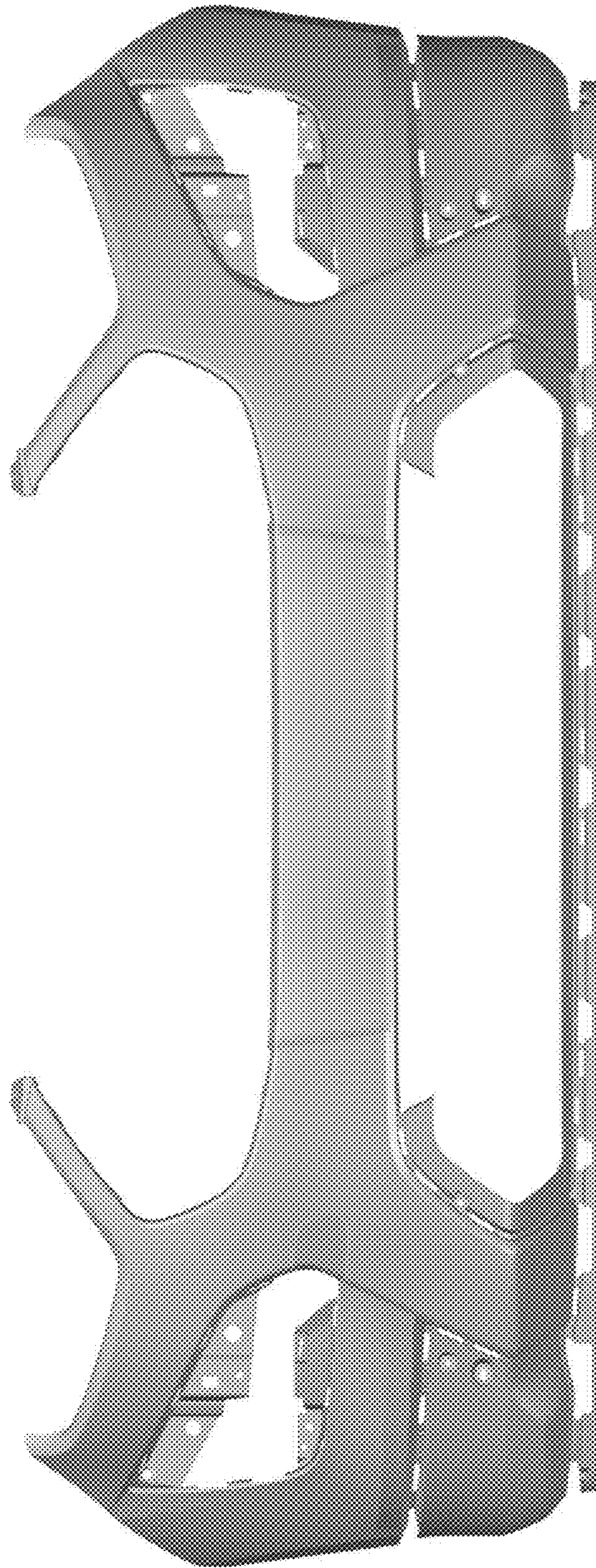


Figure 4

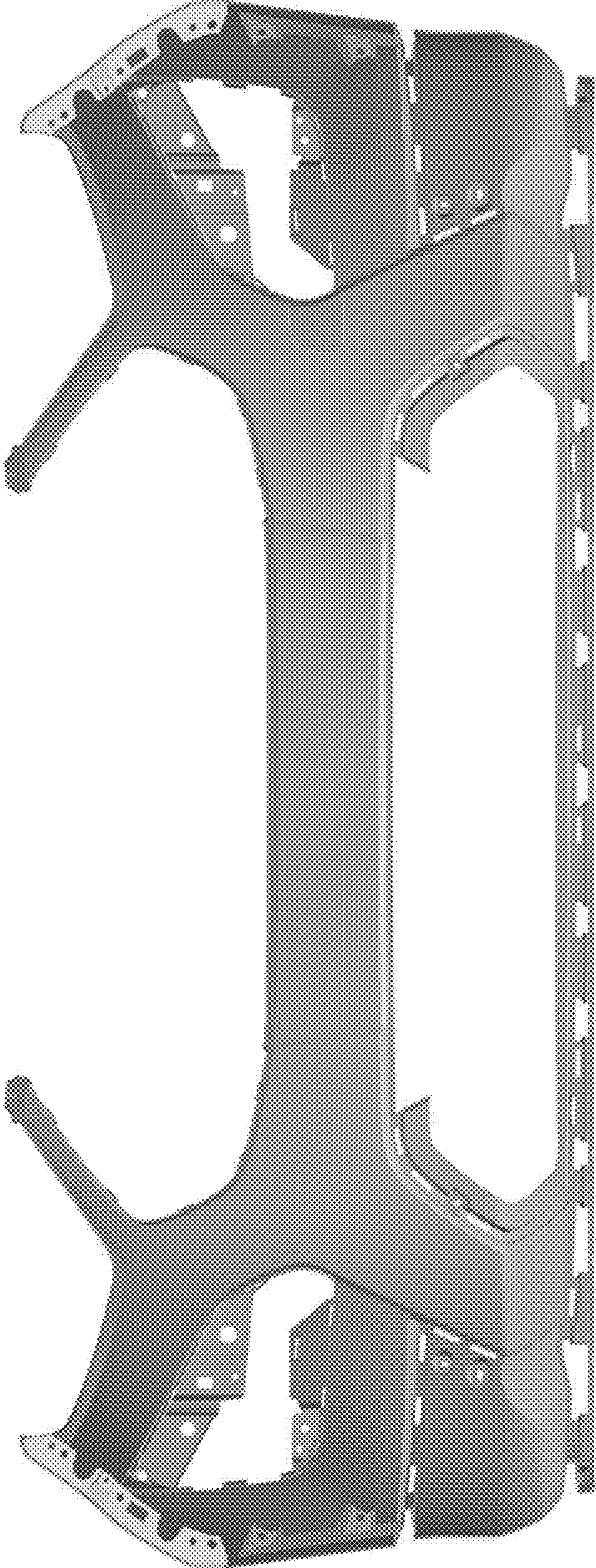


Figure 5

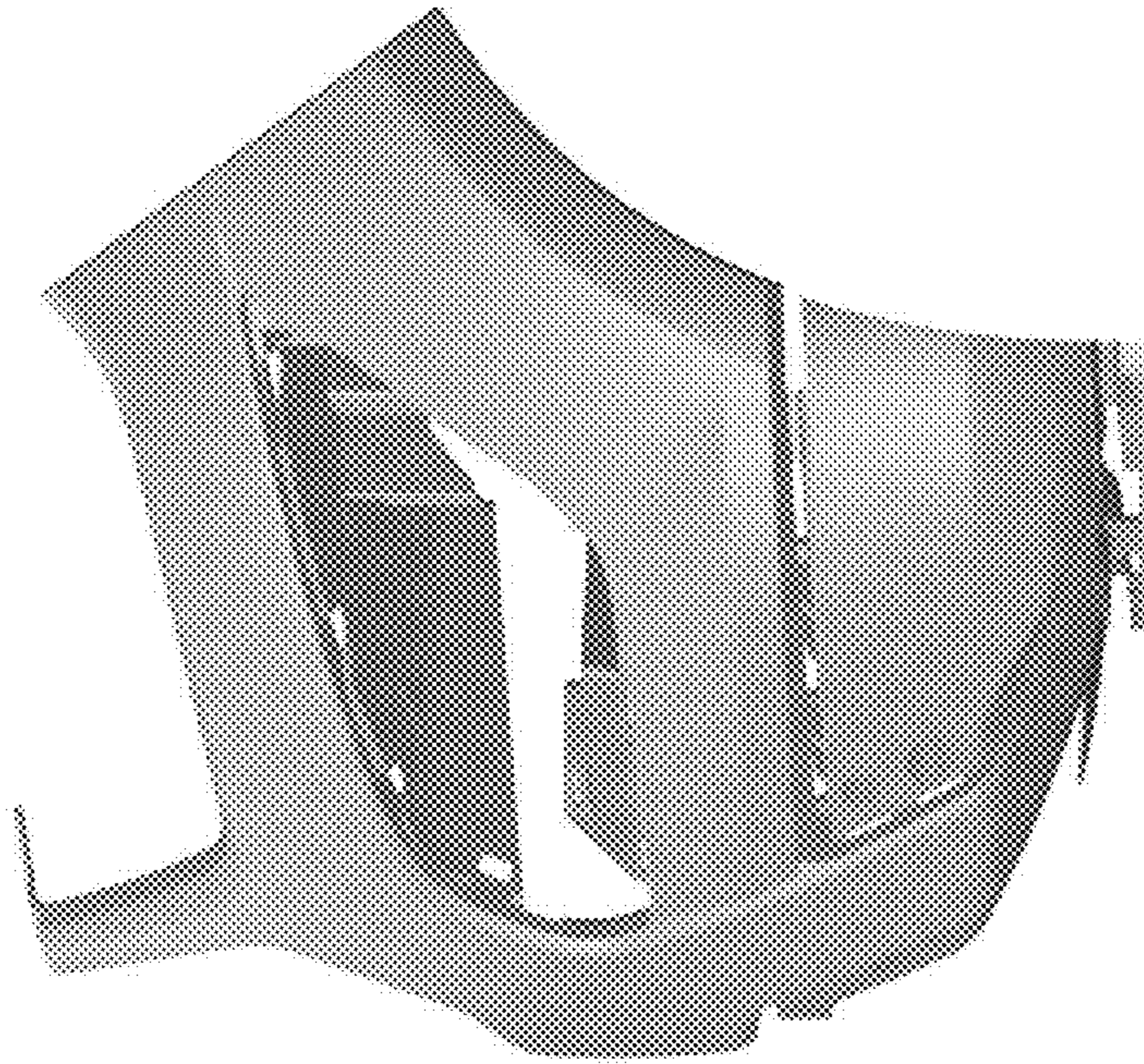


Figure 6

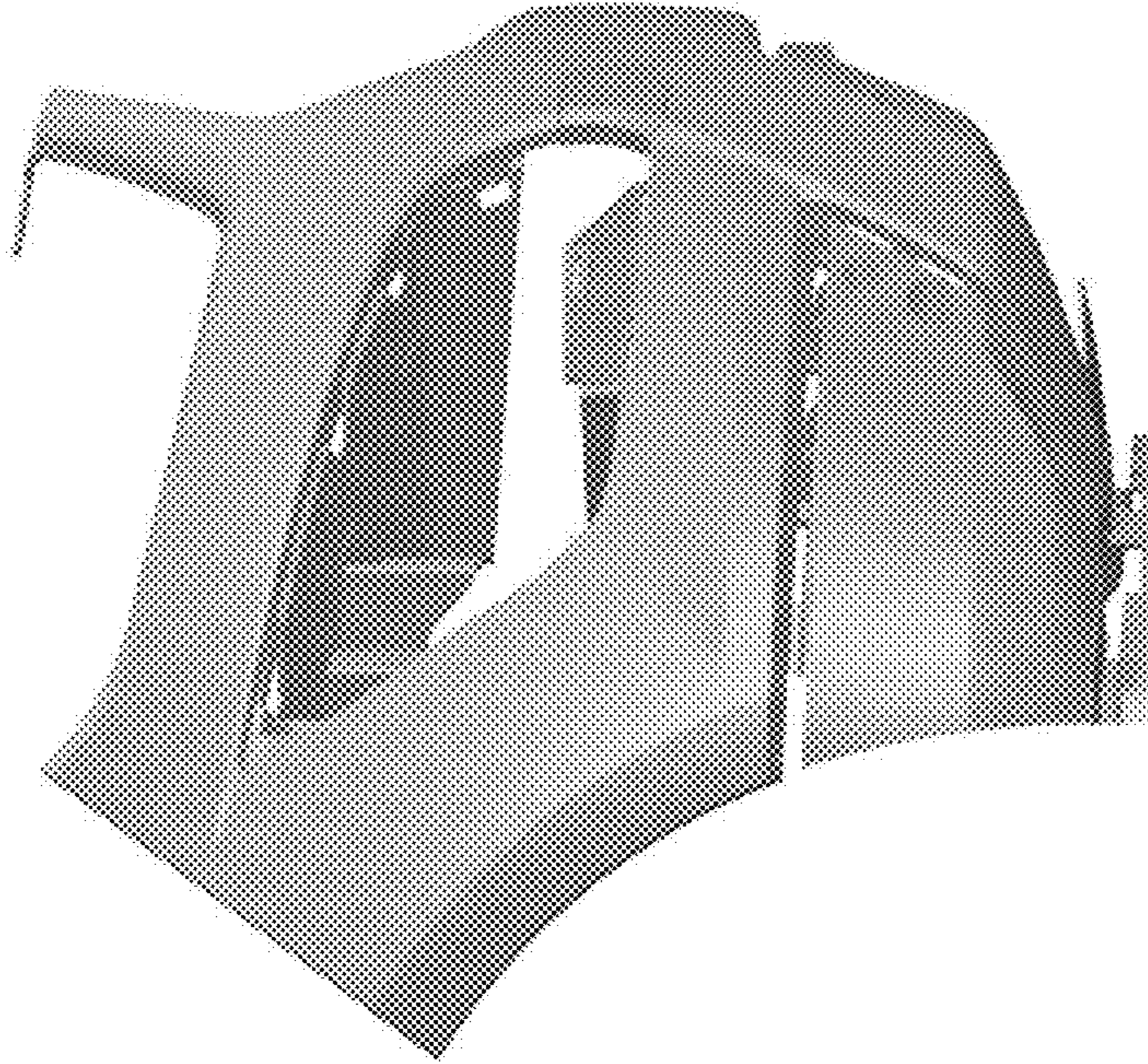


Figure 7

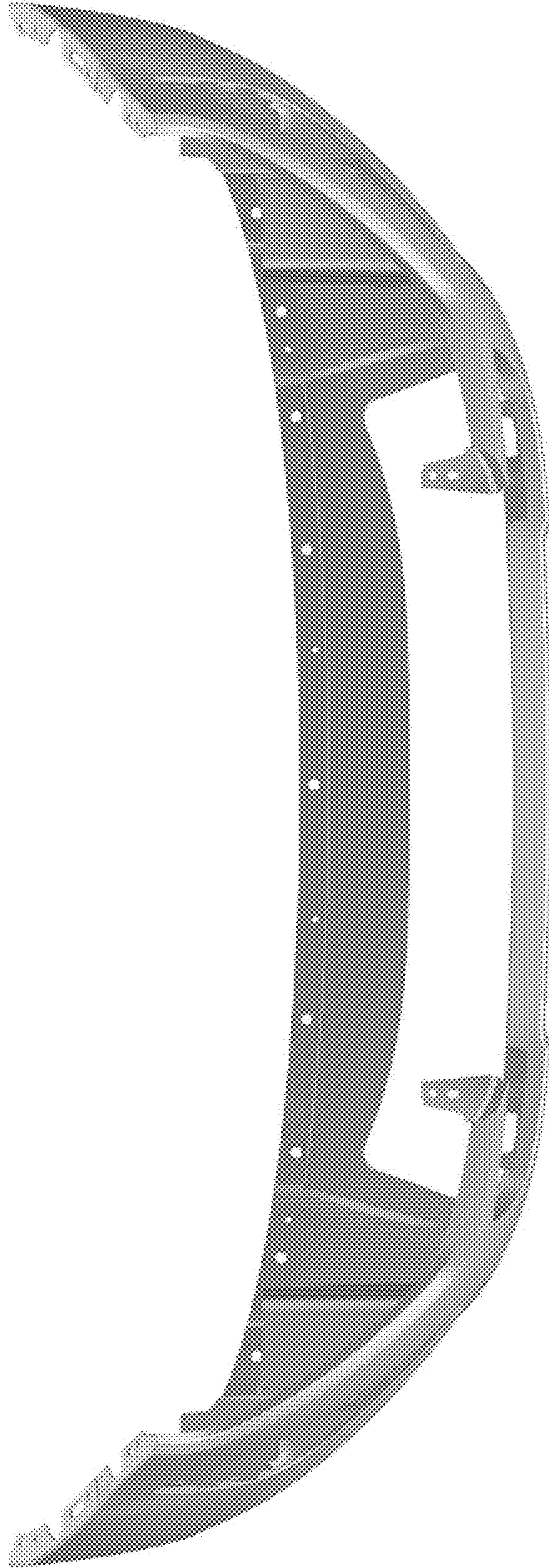


Figure 8

Figure 9

