



US00D811284S

(12) **United States Design Patent** (10) **Patent No.:** **US D811,284 S**
Granlund (45) **Date of Patent:** **** Feb. 27, 2018**

(54) **VEHICLE BUMPER**

Primary Examiner — Melody N Brown

(71) Applicant: **CHINA-EURO VEHICLE TECHNOLOGY AKTIEBOLAG**, Gothenburg (SE)

(74) *Attorney, Agent, or Firm* — Lee & Hayes, PLLC

(72) Inventor: **Ola Granlund**, Gothenburg (SE)

(57) **CLAIM**

(73) Assignee: **CHINA-EURO VEHICLE TECHNOLOGY**, Gothenburg (SE)

The ornamental design for a vehicle bumper, as shown and described.

(**) Term: **15 Years**

(21) Appl. No.: **29/577,969**

DESCRIPTION

(22) Filed: **Sep. 16, 2016**

(30) **Foreign Application Priority Data**

The patent or patent application file contains at least one drawing executed in color. Copies of this patent or patent application publication with color drawing(s) will be provided by the Office upon request and payment of the necessary fee.

Mar. 18, 2016 (WO) DM/092 114

(51) **LOC (11) Cl.** **12-16**

(52) **U.S. Cl.**
USPC **D12/169**

(58) **Field of Classification Search**
USPC D12/169, 216, 90-92, 86, 171, 196, 163;
293/102, 113, 115, 117, 120; 296/180.1,
296/180.2

FIG. 1 is a front perspective view of a vehicle bumper showing my new design;
FIG. 2 is a front elevational view thereof;
FIG. 3 is a right side elevational view thereof;
FIG. 4 is a rear elevational view thereof;
FIG. 5 is a left side elevational view thereof;
FIG. 6 is a top plan view thereof; and,
FIG. 7 is a bottom plan view thereof.

CPC B60R 19/02; B60R 19/04; B62D 25/08
See application file for complete search history.

(56) **References Cited**

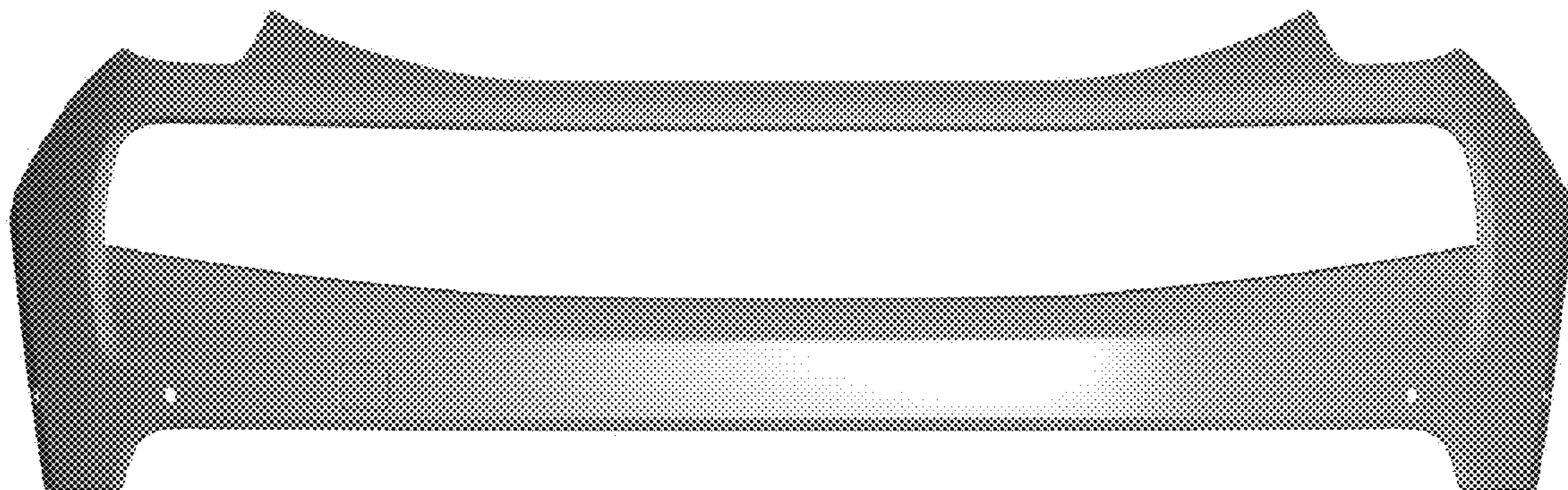
U.S. PATENT DOCUMENTS

D732,444 S * 6/2015 Burki D12/169
D732,445 S * 6/2015 Burki D12/169
D733,019 S * 6/2015 Burki D12/169
D796,396 S * 9/2017 Badstuebner D12/169

The color shown on the claimed design forms no part thereof.

1 Claim, 7 Drawing Sheets
(7 of 7 Drawing Sheet(s) Filed in Color)

* cited by examiner



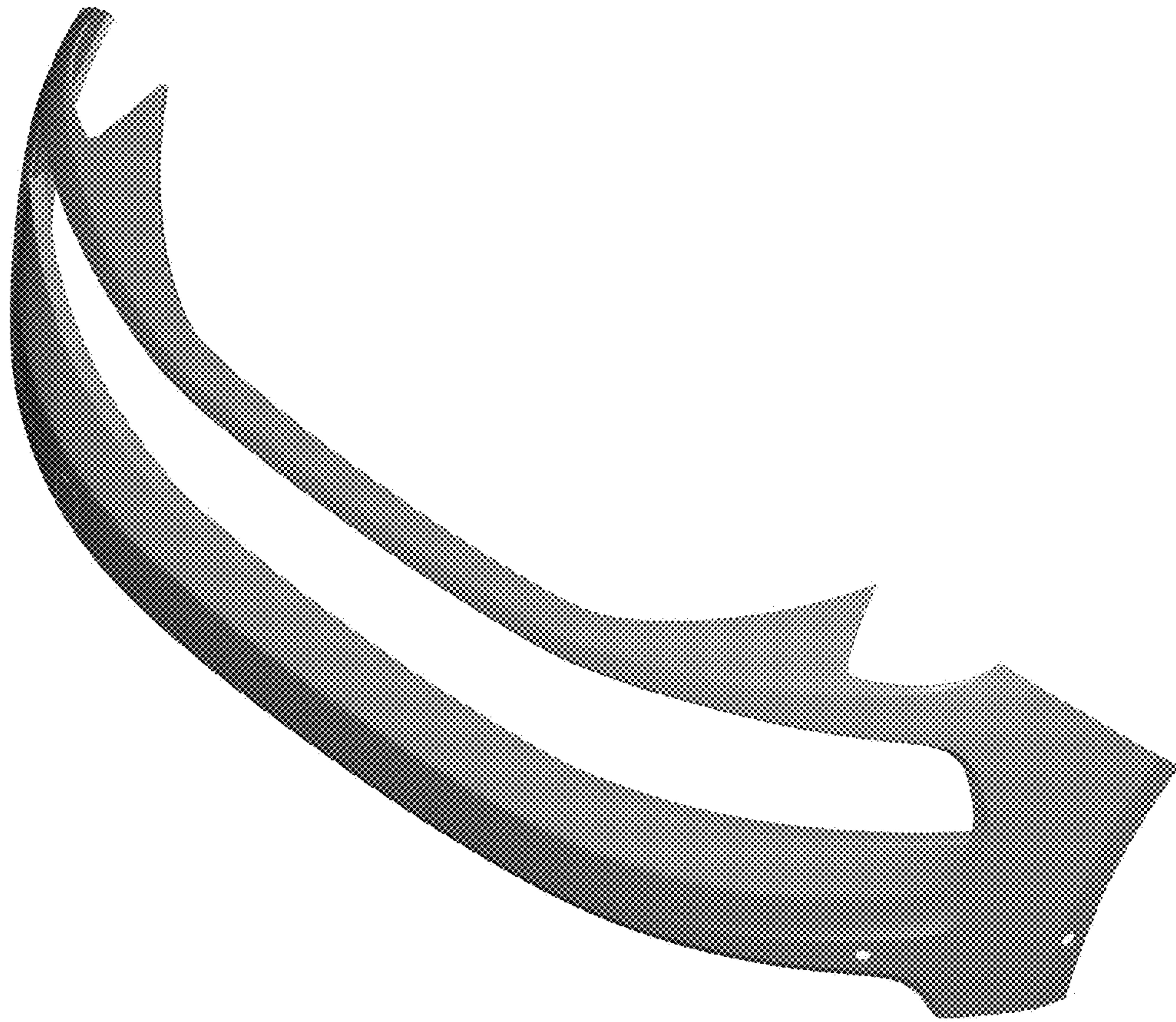


FIG. 1

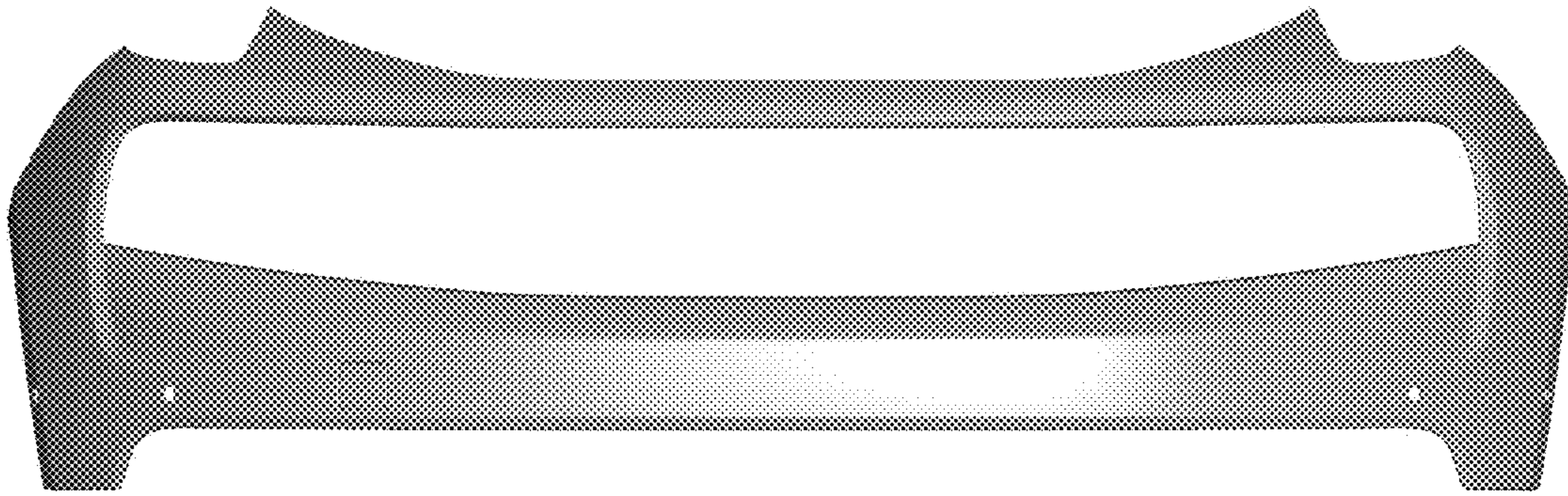


FIG. 2

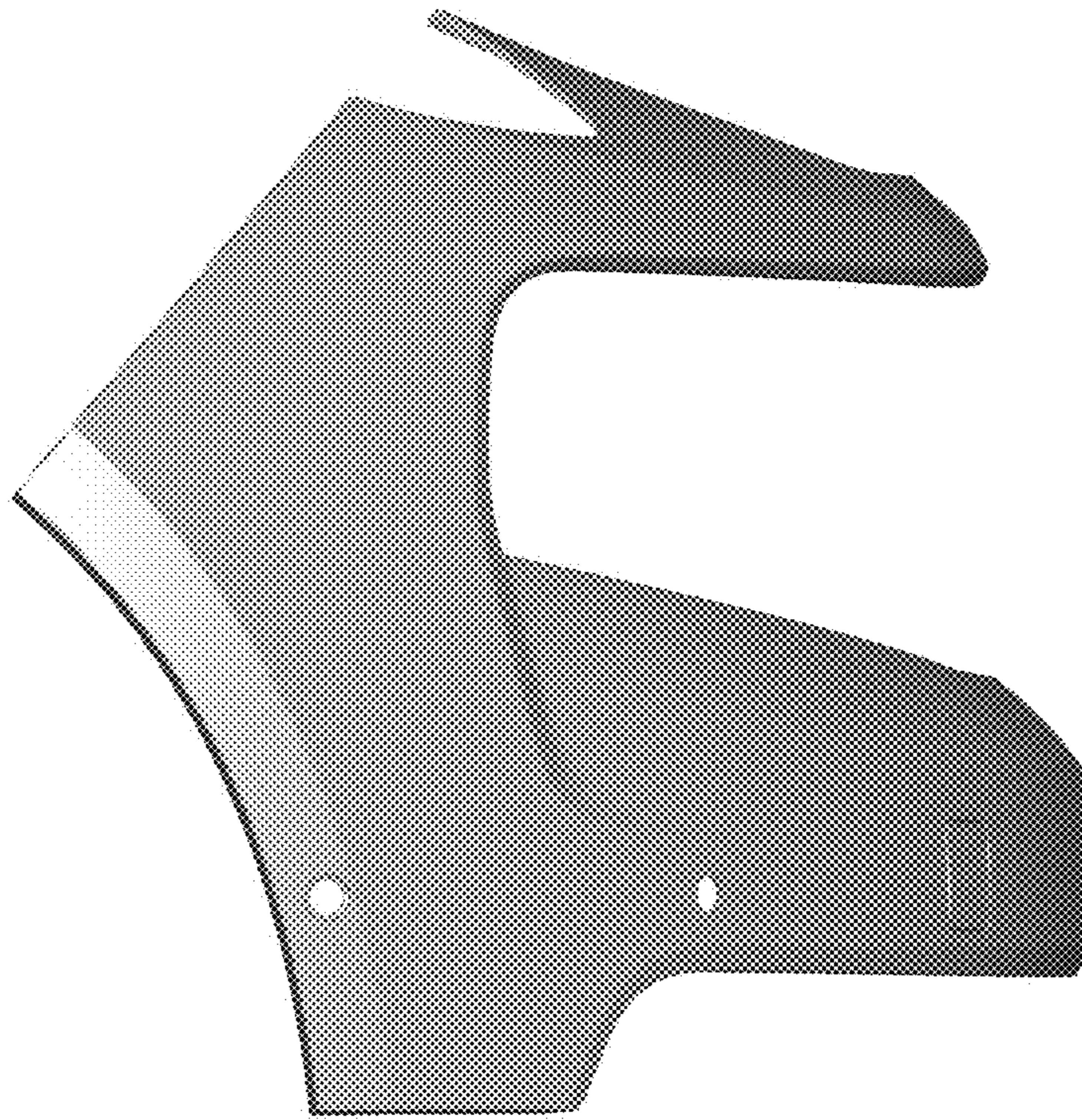


FIG. 3

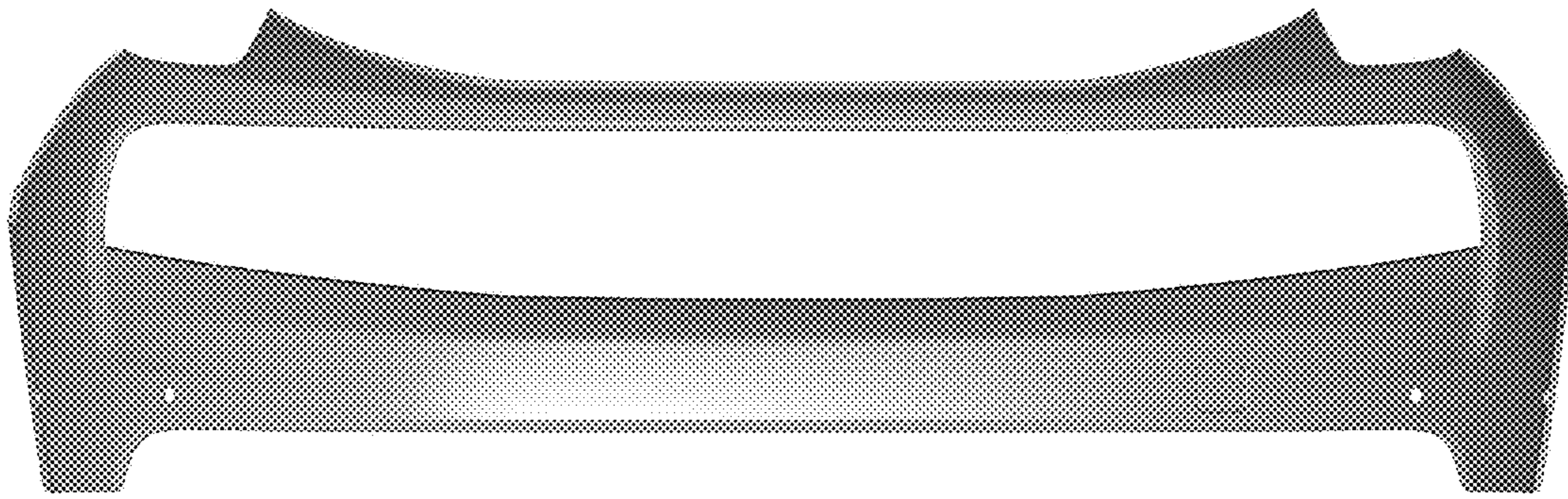


FIG. 4

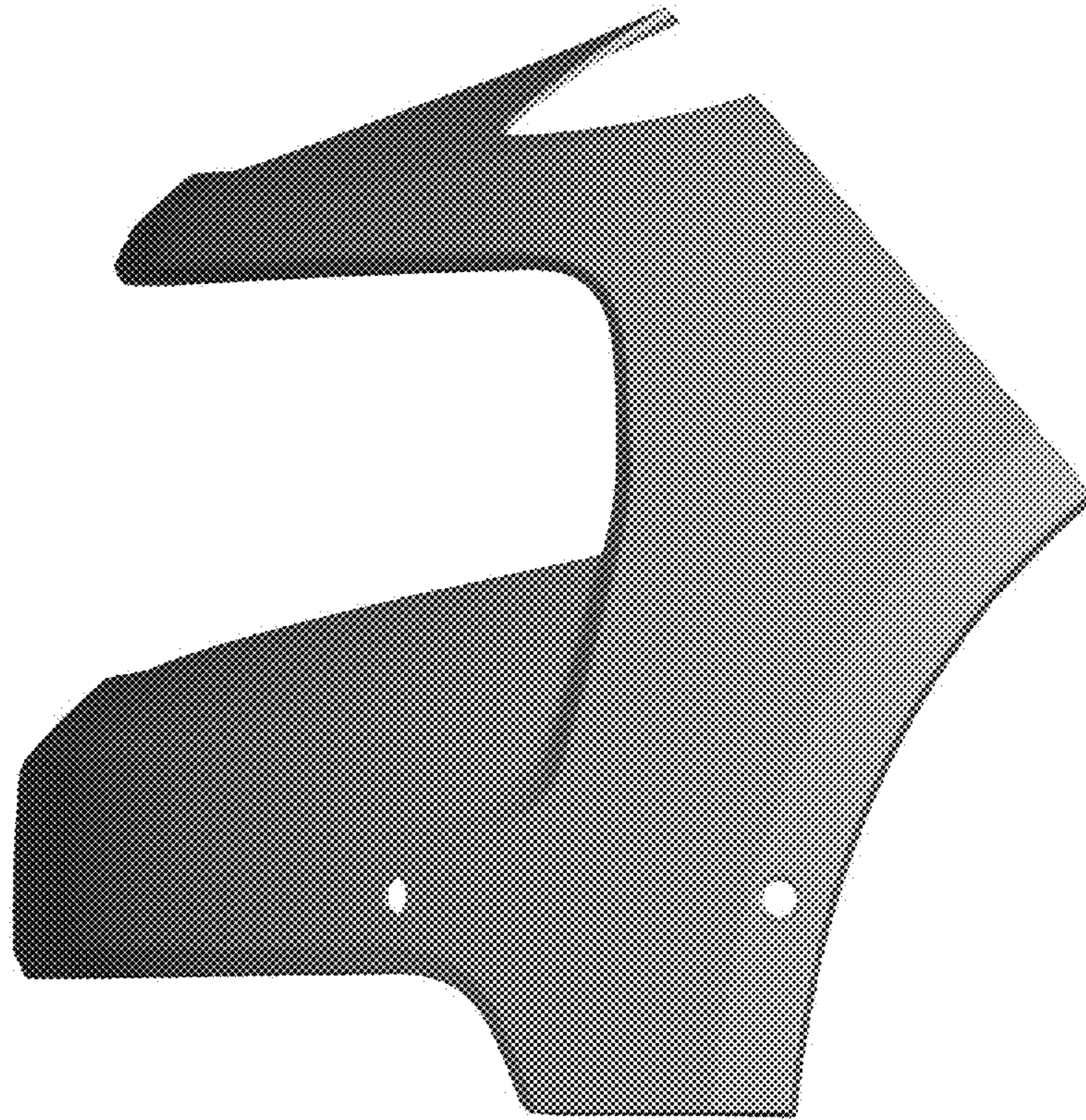


FIG. 5

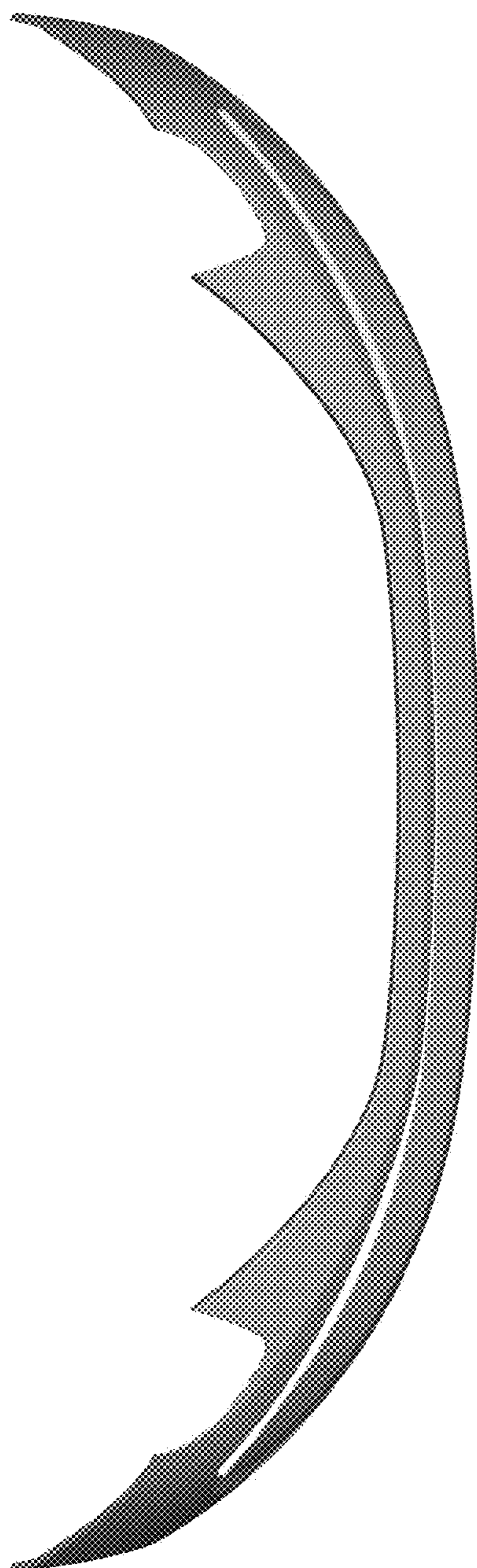


FIG. 6

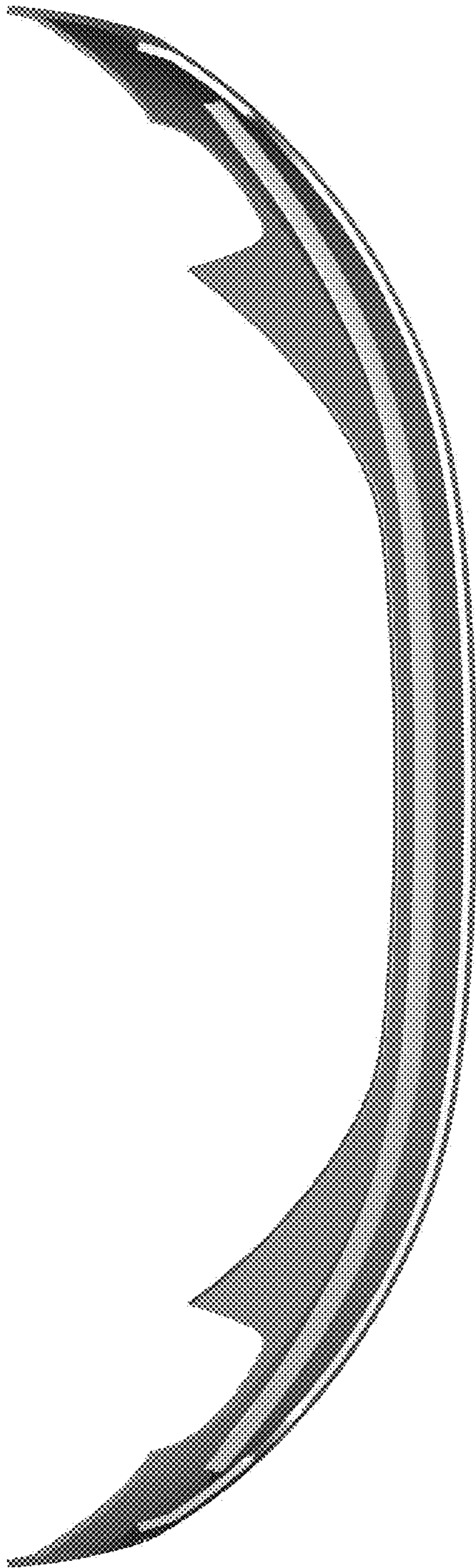


FIG. 7