



US00D811281S

(12) **United States Design Patent**
Panichgasem

(10) **Patent No.:** **US D811,281 S**

(45) **Date of Patent:** **** Feb. 27, 2018**

(54) **SHOCK ABSORBER**

(71) Applicant: **Y.S.S. (THAILAND) CO., LTD.**,
Samutprakarn (TH)

(72) Inventor: **Pinyo Panichgasem**, Samutprakarn
(TH)

(73) Assignee: **Y.S.S. (THAILAND) CO., LTD.**,
Samutprakarn (TH)

(**) Term: **15 Years**

(21) Appl. No.: **29/549,320**

(22) Filed: **Dec. 21, 2015**

(51) **LOC (11) Cl.** **12-16**

(52) **U.S. Cl.**
USPC **D12/159**

(58) **Field of Classification Search**
USPC D12/87-88, 93, 159-161, 400-401, 406,
D12/412, 414, 414.1
CPC .. B60R 9/00; B60R 9/06; B60R 3/005; B60R
13/00; Y10T 70/7638; Y10T 70/7655;
Y10T 70/7667; F16F 9/3242; F16F
9/0218; F16F 9/0227; F16F 9/3221; F16F
9/3235; B60G 11/22; B60G 2204/125;
B60G 2204/41; B60G 2202/143; B60G
2202/142; B60G 2202/14; B60P 9/00;
B60P 3/40

See application file for complete search history.

(56) **References Cited**

U.S. PATENT DOCUMENTS

1,602,539 A	10/1926	McElroy	
2,039,135 A	4/1936	Waugh et al.	
2,774,446 A	12/1956	Louis	
3,970,292 A	7/1976	Dachicourt et al.	
4,082,255 A	4/1978	Maslet et al.	
4,153,237 A	5/1979	Supalla	
D277,952 S *	3/1985	Nakano	D12/159
4,506,869 A	3/1985	Maslet et al.	
4,795,009 A	1/1989	Tanahashi et al.	

4,881,750 A	11/1989	Hartmann	
4,995,597 A	2/1991	Hatton	
D329,629 S *	9/1992	Ciccone	D12/168
5,195,619 A	3/1993	Dourson et al.	
D346,780 S *	5/1994	Homme	D12/159
D346,781 S *	5/1994	Homme	D12/159
D357,951 S *	5/1995	Chen	D12/159
D399,462 S *	10/1998	Toffolo	D12/159

(Continued)

FOREIGN PATENT DOCUMENTS

JP	60179314 A	9/1985
JP	63235737 A	9/1988

OTHER PUBLICATIONS

What's inside a spring shock absorber?, posted at Mechanics.
stackexchange.com, posted on Feb. 5, 2016, site visited Apr. 28,
2017, <[https://mechanics.stackexchange.com/questions/25722/
whats-inside-a-spring-shock-absorber](https://mechanics.stackexchange.com/questions/25722/whats-inside-a-spring-shock-absorber)>.*

(Continued)

Primary Examiner — Barbara Fox
Assistant Examiner — Messina L Smith
(74) *Attorney, Agent, or Firm* — Pearne & Gordon LLP

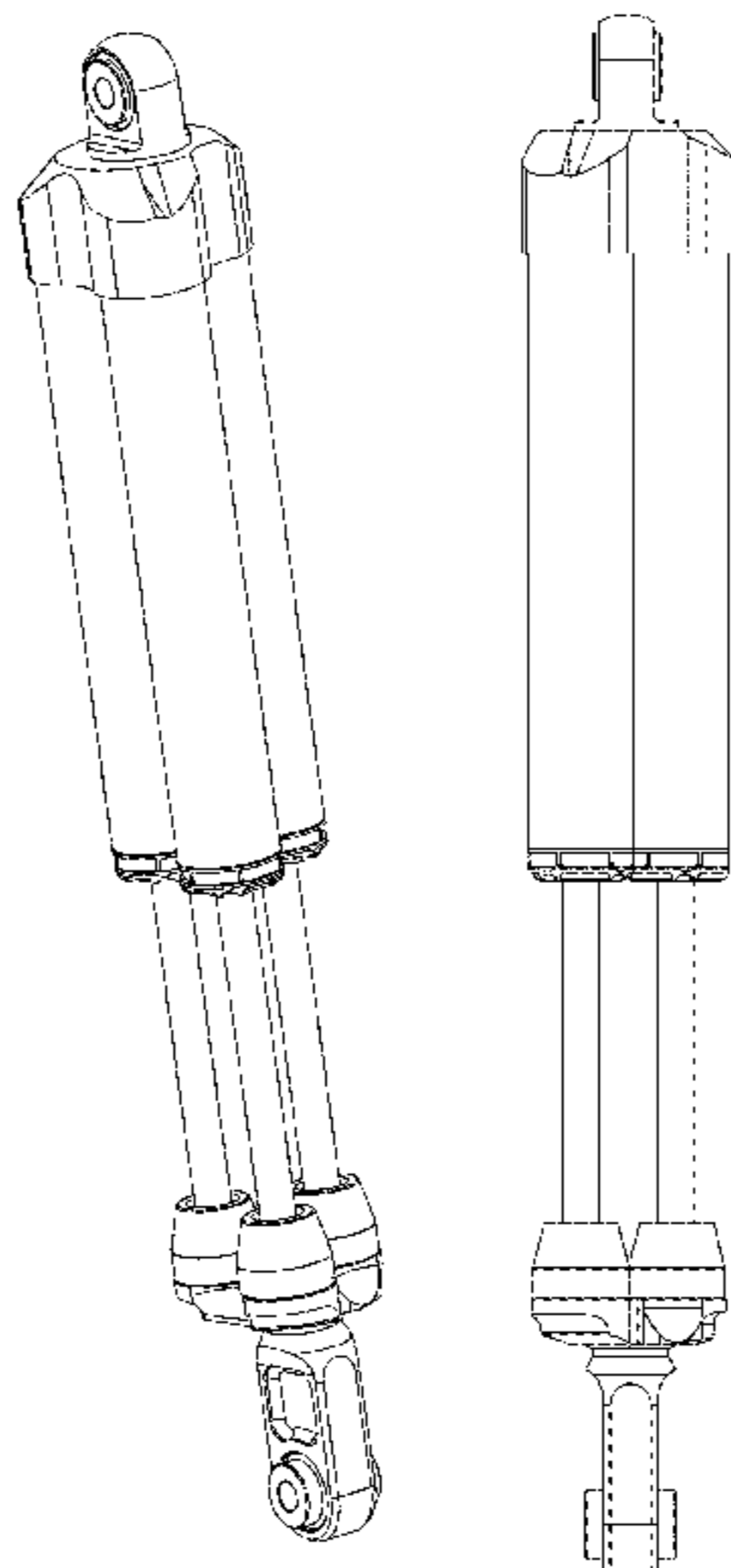
(57) **CLAIM**

The ornamental design for a shock absorber, as shown and
described.

DESCRIPTION

FIG. 1 is a perspective view of a shock absorber, showing
my new design;
FIG. 2 is a top view thereof;
FIG. 3 is a bottom view thereof;
FIG. 4 is a back view thereof, the front view being a mirror
image thereof;
FIG. 5 is a left side view thereof;
FIG. 6 is a right side view thereof; and,
FIG. 7 is a second perspective view thereof.

1 Claim, 6 Drawing Sheets



(56)

References Cited

U.S. PATENT DOCUMENTS

5,860,497 A 1/1999 Takahashi
 5,957,252 A 9/1999 Berthold
 6,135,434 A 10/2000 Marking
 6,491,146 B1 10/2002 Yi et al.
 6,814,193 B2 11/2004 Grundei
 7,219,780 B2 5/2007 Thurmann et al.
 D553,545 S * 10/2007 Nygren D12/159
 7,308,976 B2 12/2007 Turner
 D563,287 S * 3/2008 Falter D12/159
 7,628,259 B2 12/2009 Norgaard et al.
 2002/0121416 A1 9/2002 Katayama et al.
 2004/0129516 A1 7/2004 Umezawa
 2006/0096816 A1* 5/2006 Norgaard F16F 9/3235
 188/274
 2007/0051573 A1* 3/2007 Norgaard F16F 9/3235
 188/314
 2008/0179795 A1 7/2008 Fox
 2010/0320656 A1 12/2010 Achenbach
 2011/0101585 A1* 5/2011 Kamae F16F 9/3242
 267/226

2012/0048665 A1* 3/2012 Marking B60G 13/08
 188/287
 2012/0091638 A1* 4/2012 Panichgasem F16F 9/363
 267/64.26
 2014/0090938 A1* 4/2014 Nishimura F16F 9/062
 188/269
 2014/0131969 A1* 5/2014 Rowe B60G 21/055
 280/124.106
 2014/0262651 A1* 9/2014 Luczak F16F 9/3235
 188/297
 2016/0052361 A1* 2/2016 Yamashita B60G 13/08
 188/266.1

OTHER PUBLICATIONS

What Causes Leakage in the Shock Absorbers?, posted at Yourmechanic.com, posted on Nov. 17, 2015, site visited Apr. 28, 2017, <<https://www.yourmechanic.com/article/what-causes-leakage-in-the-shock-absorbers>>.*
 Shock Absorber PDS, posted at Fatcatwpsuspensionuk.com, no posting date given, site visited Apr. 28, 2017, <http://fatcatwpsuspensionuk.com/shock_absorber_pds.php>.*

* cited by examiner

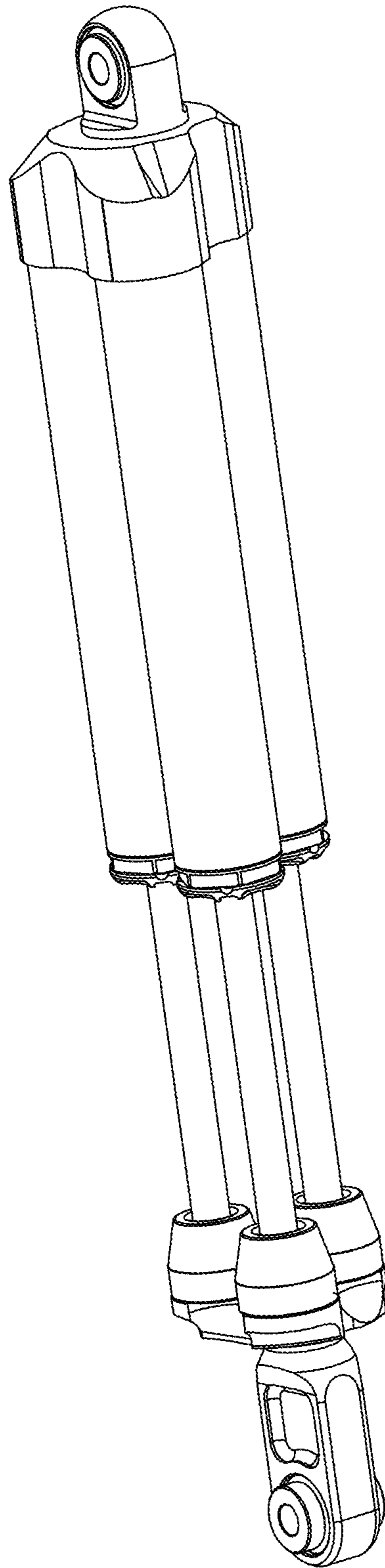


FIG. 1

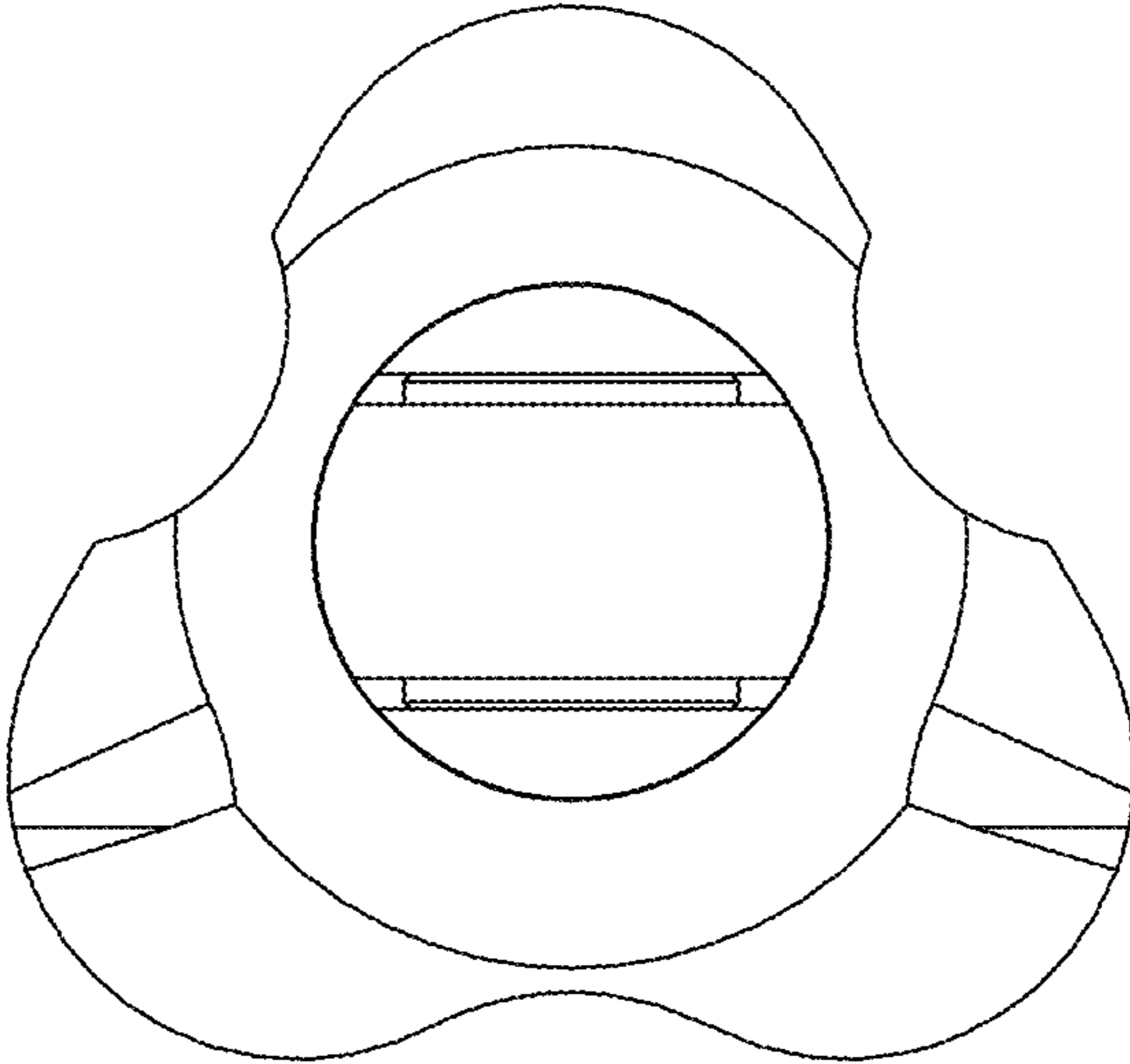


FIG. 2

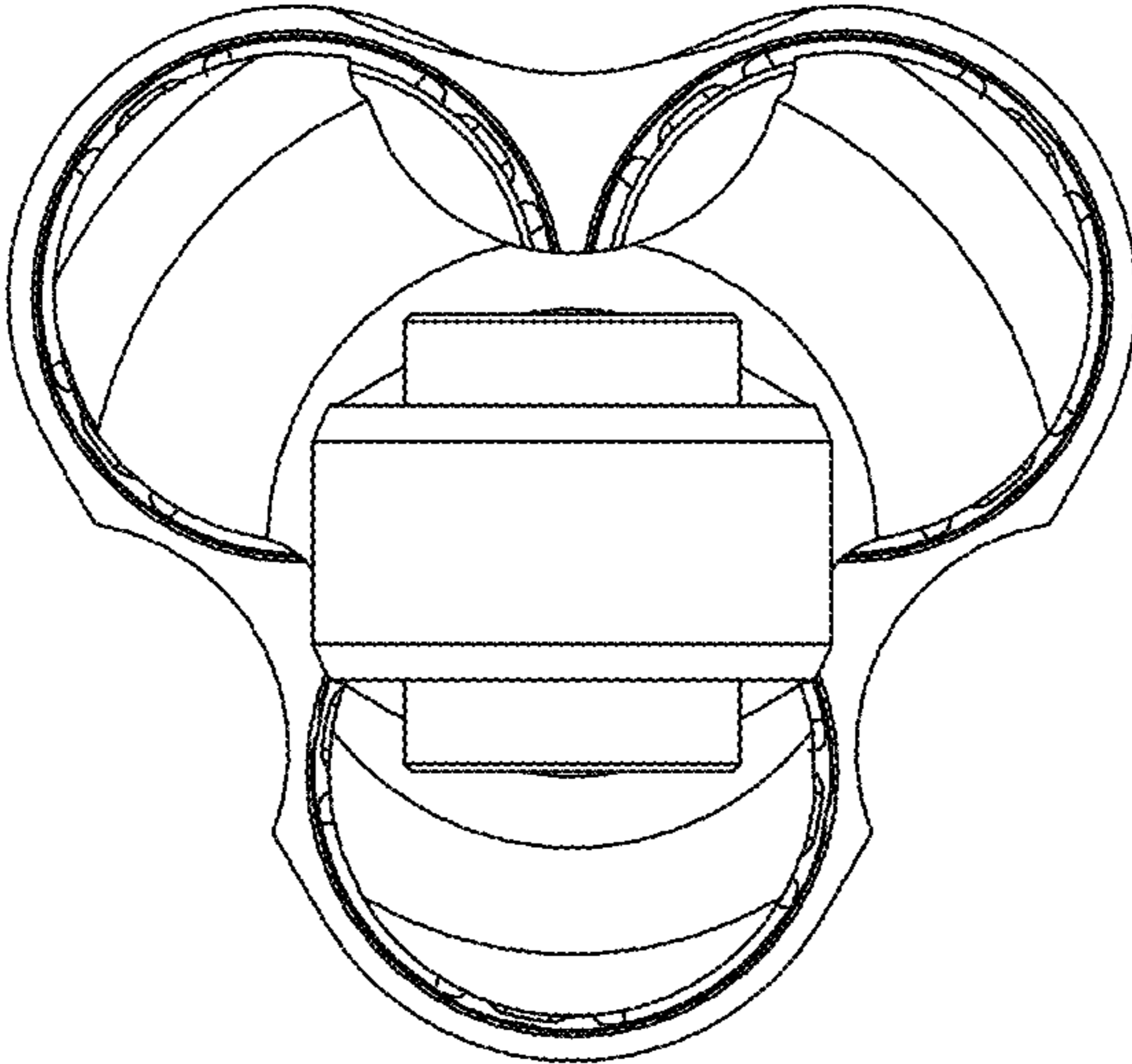


FIG. 3

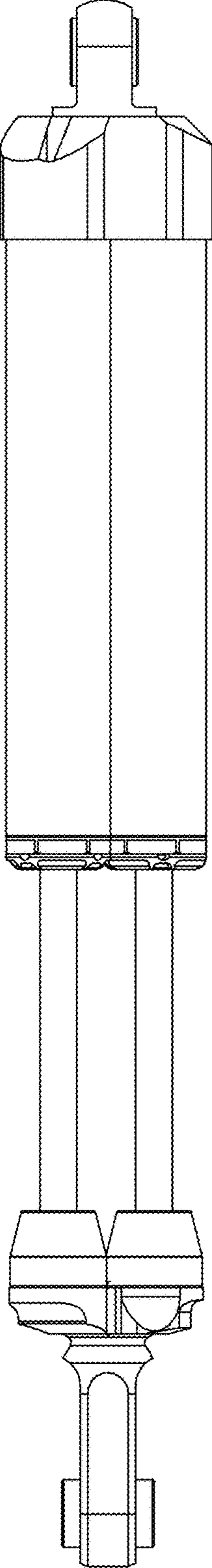


FIG. 4

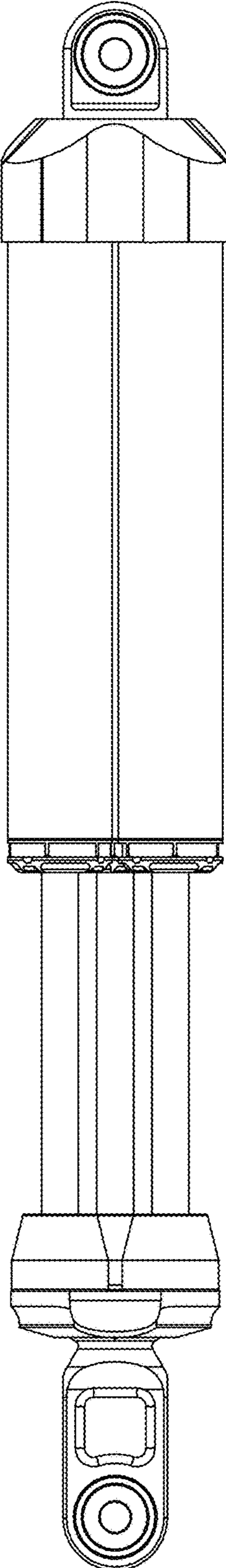


FIG. 5

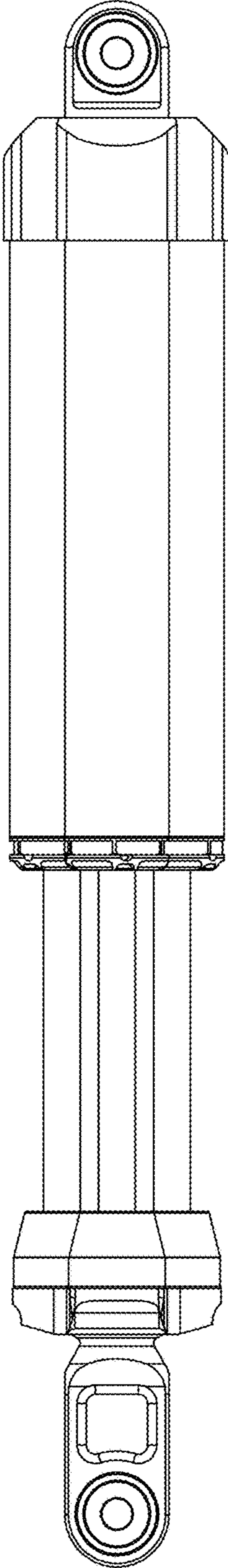


FIG. 6

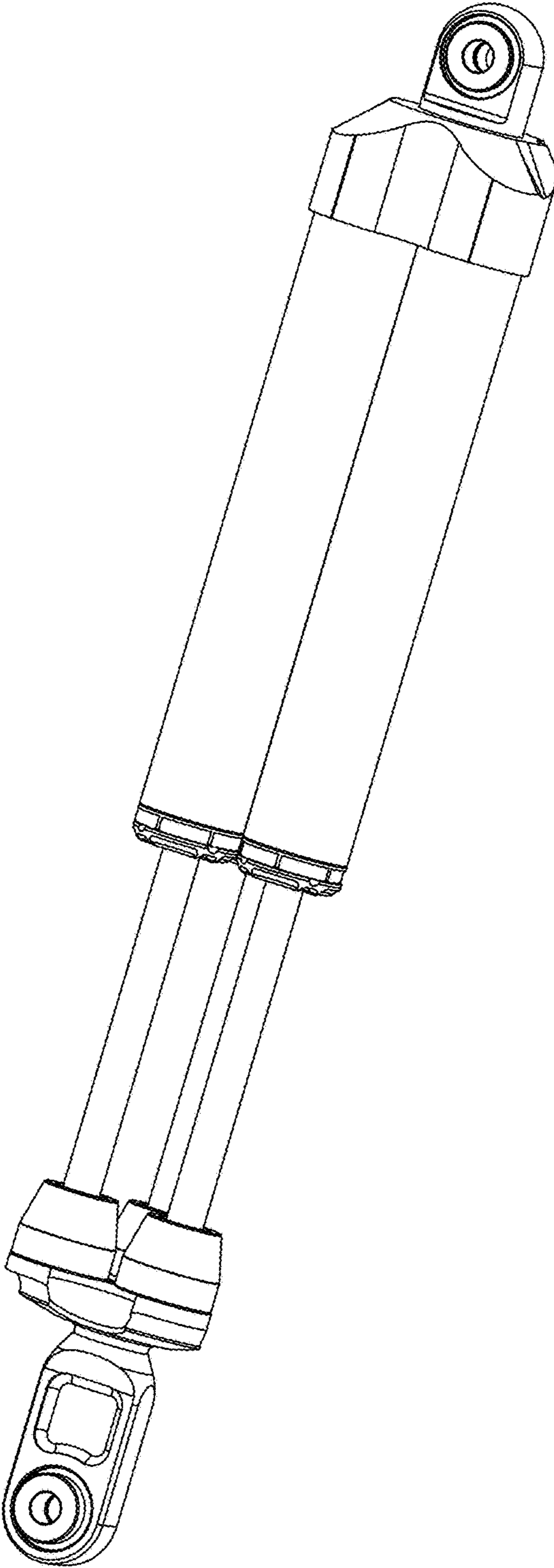


FIG. 7