



US00D811280S

(12) **United States Design Patent** (10) **Patent No.:** **US D811,280 S**  
**Wang et al.** (45) **Date of Patent:** **\*\* Feb. 27, 2018**

- (54) **WALKER SEAT** 5,356,355 A \* 10/1994 Campbell ..... A47D 13/046  
 482/43
- (71) Applicant: **Medline Industries, Inc.**, Mundelein, IL (US) D355,629 S \* 2/1995 Kulesza ..... D12/130  
 D357,522 S \* 4/1995 Garneau ..... D12/130  
 D359,259 S \* 6/1995 Hokkanen ..... D12/130  
 D372,890 S \* 8/1996 Ferm ..... D12/130  
 D373,555 S 9/1996 Ward
- (72) Inventors: **Ben Wang**, Zhongshan (CN); **Brendan Fong**, Northbrook, IL (US); **Margaret Andersen**, Chicago, IL (US) 5,882,067 A 3/1999 Carbajal  
 6,371,142 B1 4/2002 Battiston  
 6,481,730 B2 11/2002 Sung  
 D479,164 S \* 9/2003 Wu ..... D12/130  
 D480,995 S 10/2003 Owens  
 D521,423 S 5/2006 Hsiao  
 D528,049 S \* 9/2006 Uribe ..... D12/130  
 D567,151 S \* 4/2008 Owens ..... D12/130  
 D700,872 S \* 3/2014 Mograbi ..... D12/130  
 D751,951 S \* 3/2016 Andersen ..... D12/130
- (73) Assignee: **MEDLINE INDUSTRIES, INC.**, Mundelein, IL (US)
- (\*\*) Term: **15 Years**
- (21) Appl. No.: **29/554,201**
- (22) Filed: **Feb. 9, 2016**

**Related U.S. Application Data**

- (63) Continuation of application No. 29/476,244, filed on Dec. 12, 2013, now Pat. No. Des. 749,017.
- (51) **LOC (11) Cl.** ..... **12-12**
- (52) **U.S. Cl.**  
 USPC ..... **D12/133**
- (58) **Field of Classification Search**  
 USPC ..... D12/128-133  
 CPC ..... A61H 3/00; A61H 3/04; A61H 2003/001-2003/007; A61H 2003/043; A61H 2003/046  
 See application file for complete search history.

**References Cited**

**U.S. PATENT DOCUMENTS**

- D75,715 S \* 7/1928 Boehm ..... D12/130  
 D136,745 S \* 11/1943 Simms ..... D12/130  
 4,902,000 A \* 2/1990 Starks ..... A63B 3/00  
 434/255

\* cited by examiner

*Primary Examiner* — Charles Hanson

(74) *Attorney, Agent, or Firm* — McAndrews, Held & Malloy, Ltd.

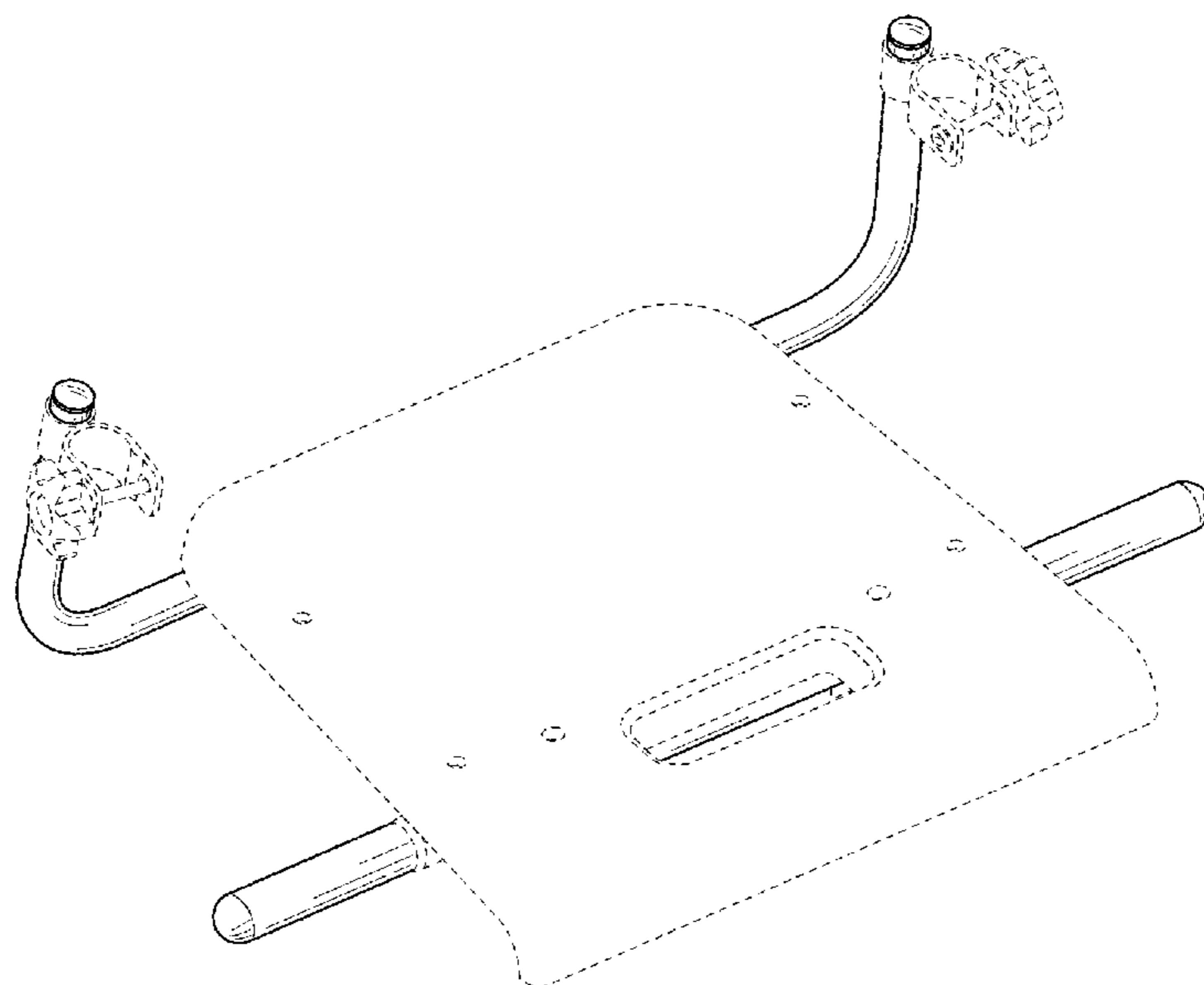
(57) **CLAIM**

The ornamental design for a walker seat, as shown and described.

**DESCRIPTION**

FIG. 1 is a front perspective view of a walker seat showing our new design;  
 FIG. 2 is a rear elevation view thereof;  
 FIG. 3 is a front elevation view thereof;  
 FIG. 4 is a left side elevation view thereof;  
 FIG. 5 is a right side elevation view thereof;  
 FIG. 6 is a top plan view thereof; and,  
 FIG. 7 is a bottom plan view thereof.  
 The dotted lines are for environmental purposes only and form no part of the claimed design.

**1 Claim, 4 Drawing Sheets**



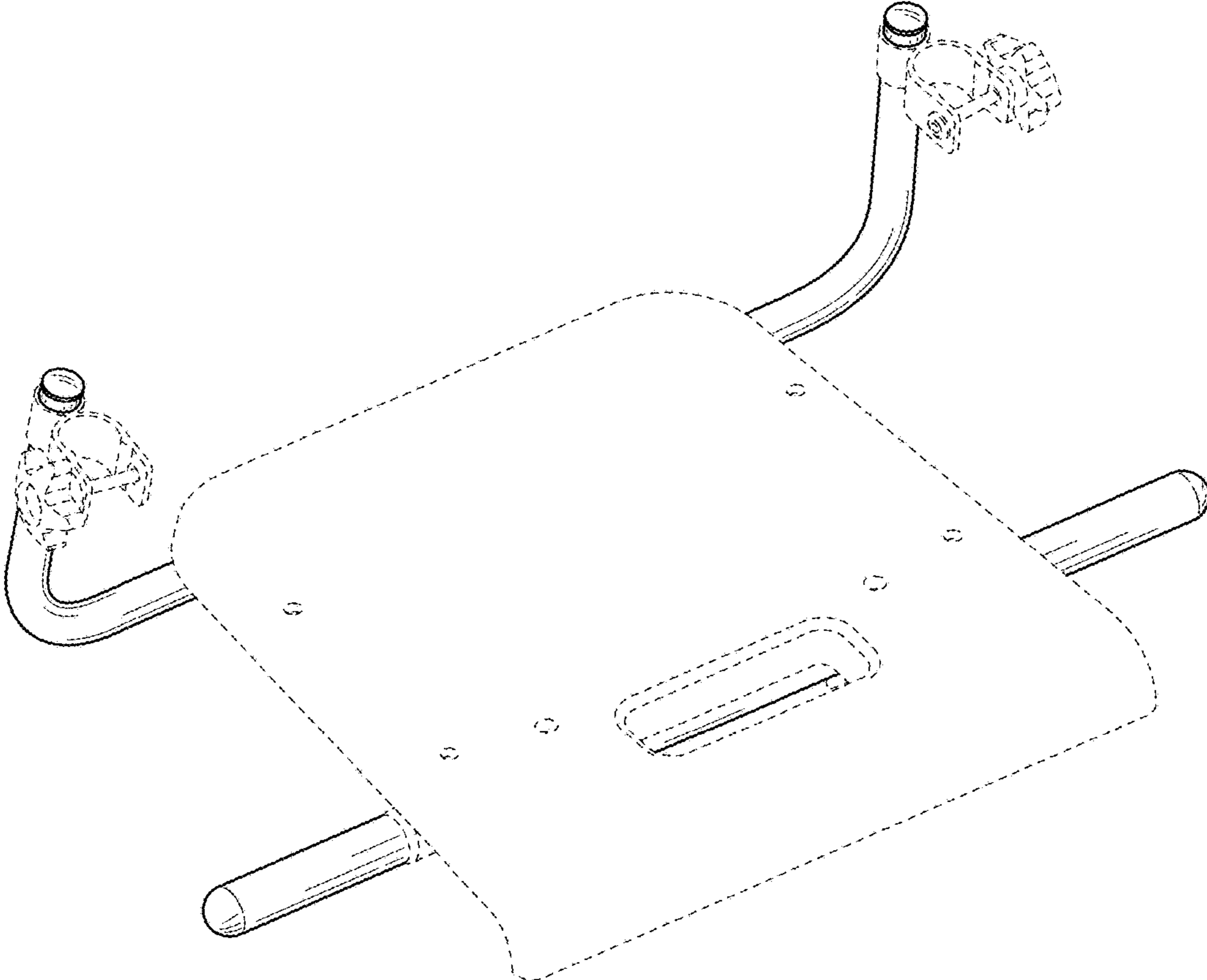


FIG. 1

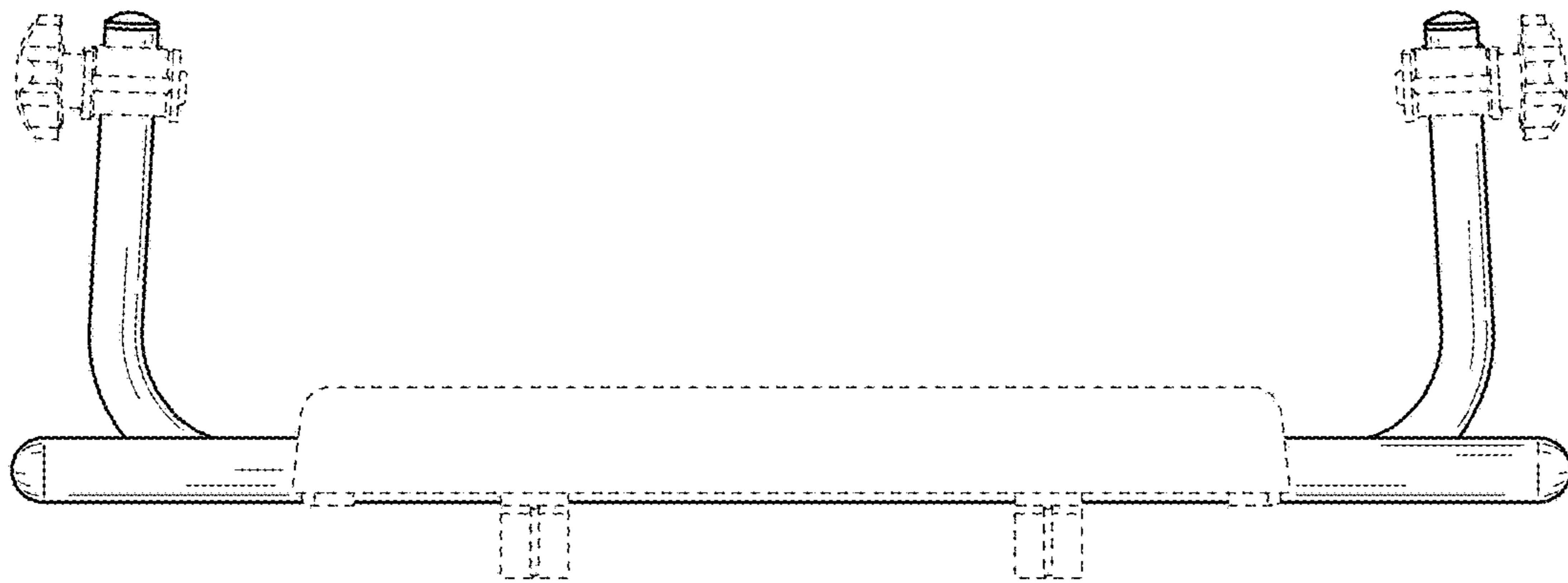


FIG. 2

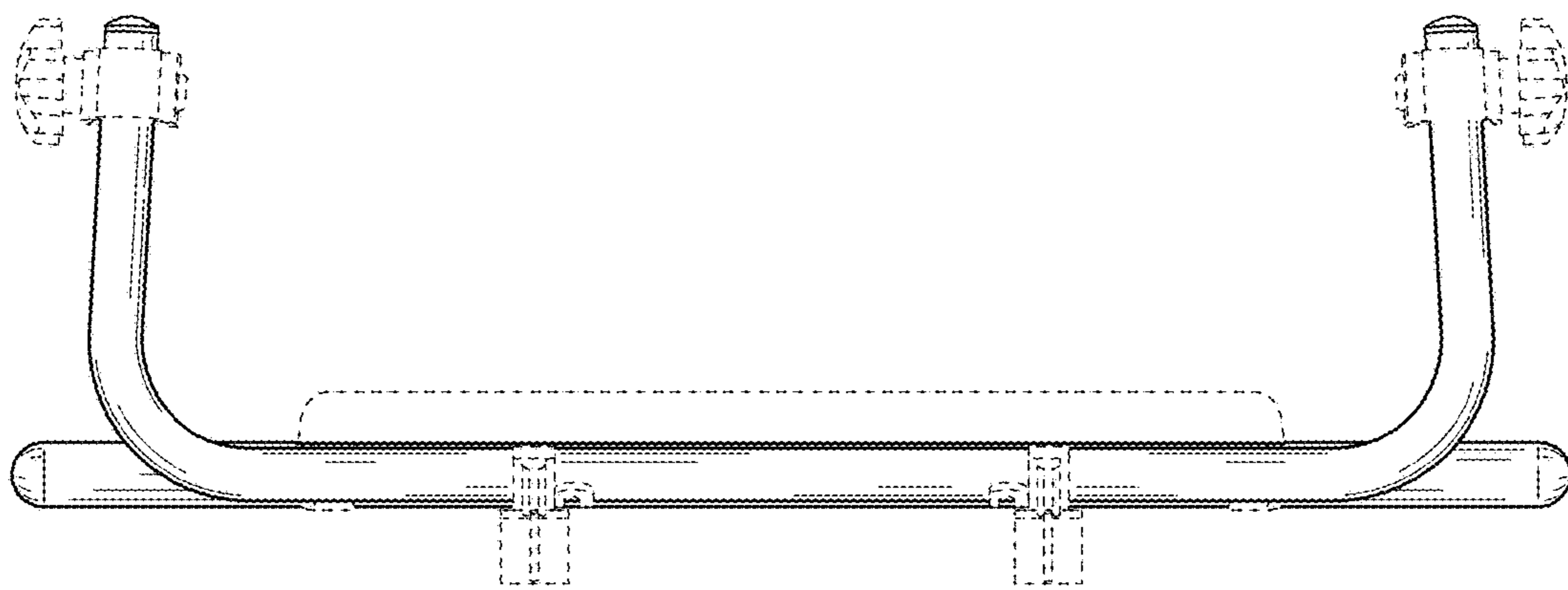


FIG. 3

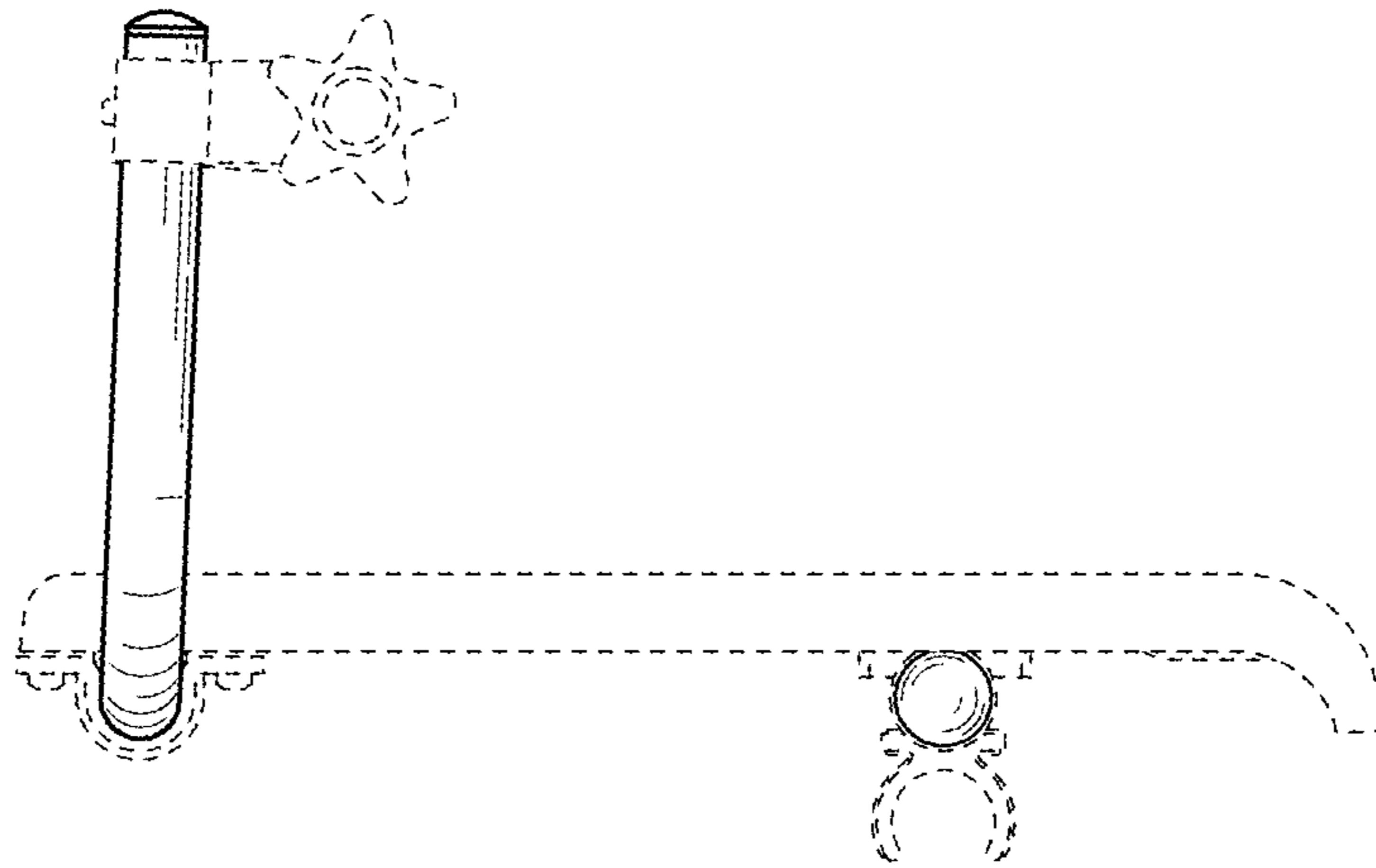


FIG. 4

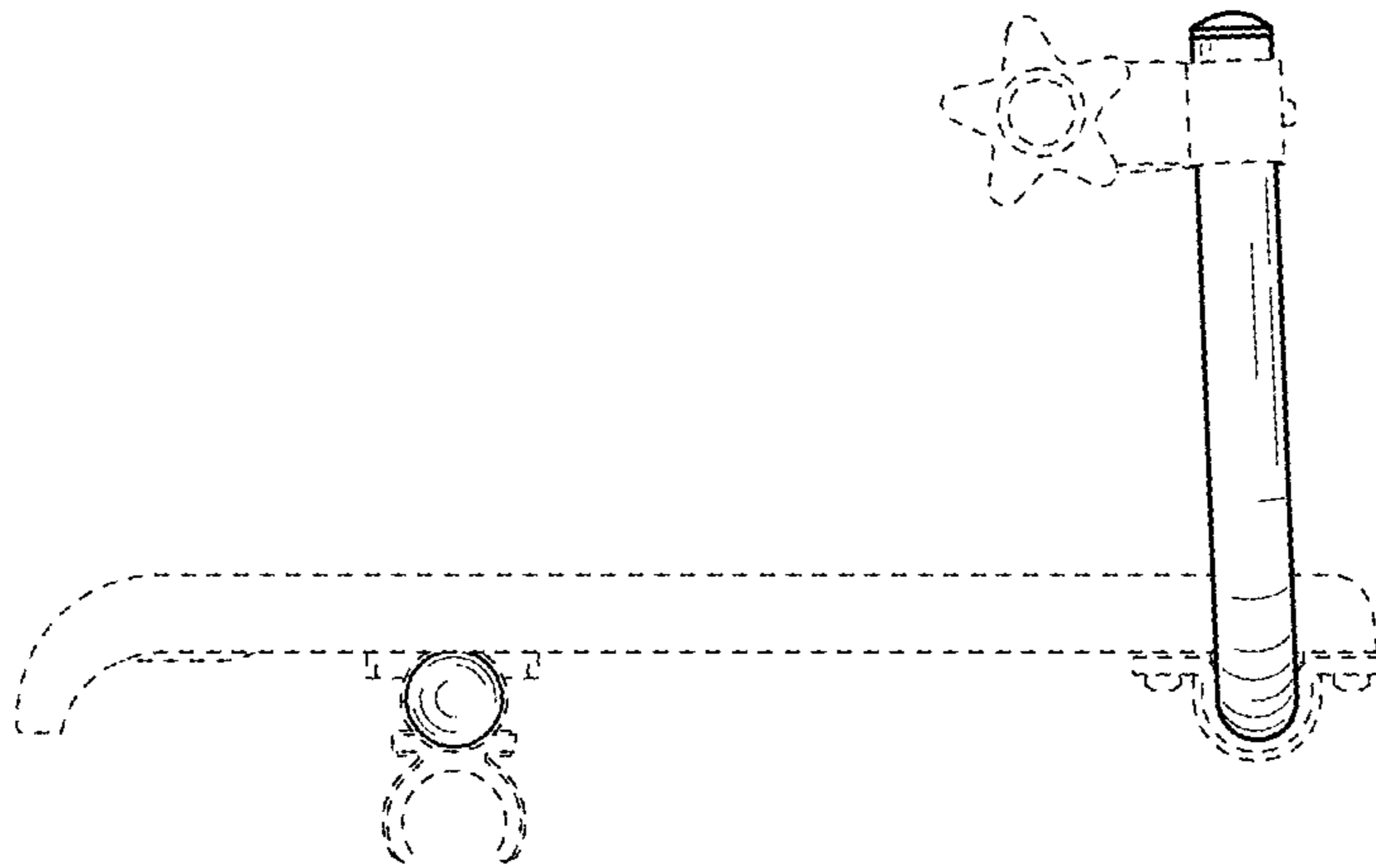


FIG. 5

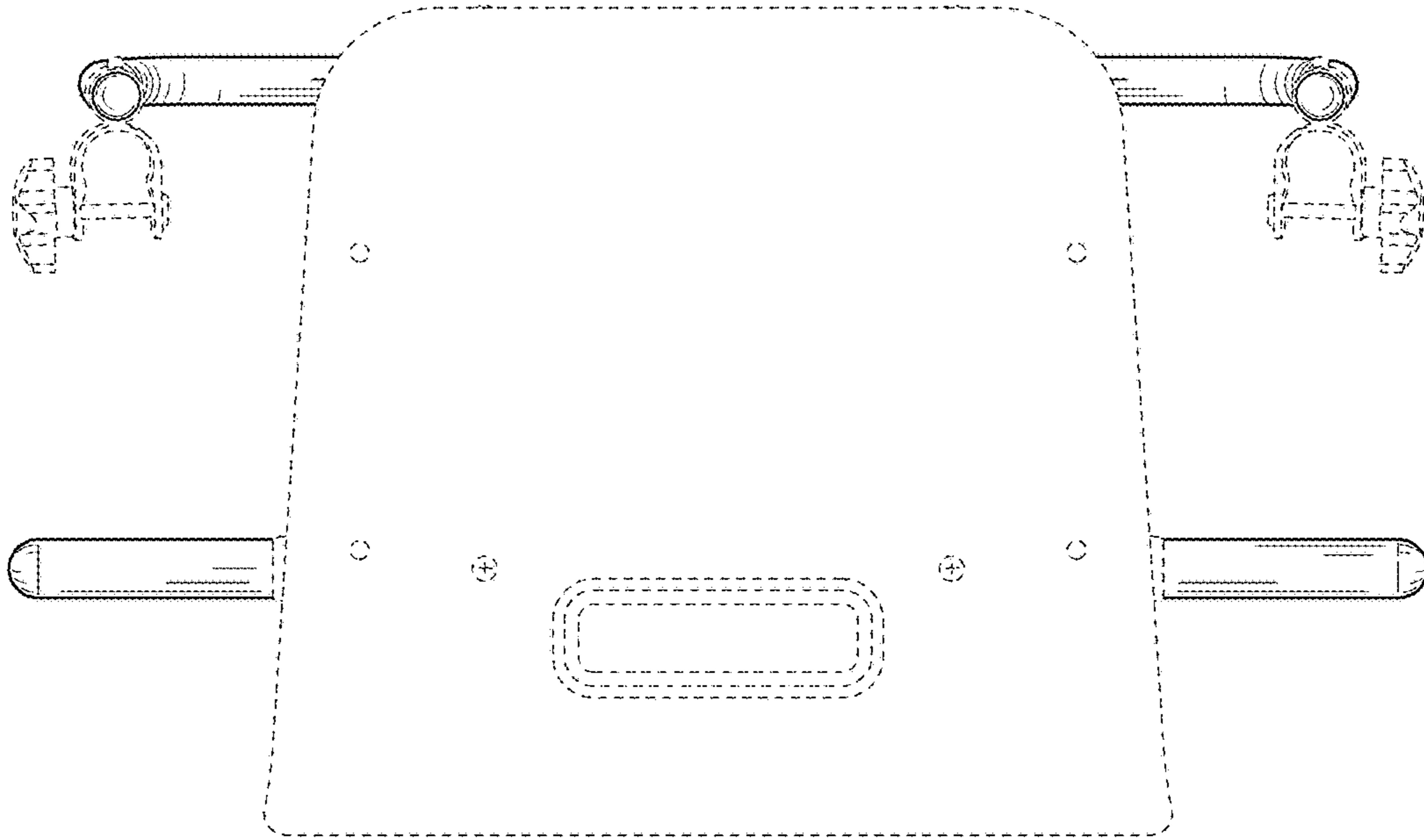


FIG. 6

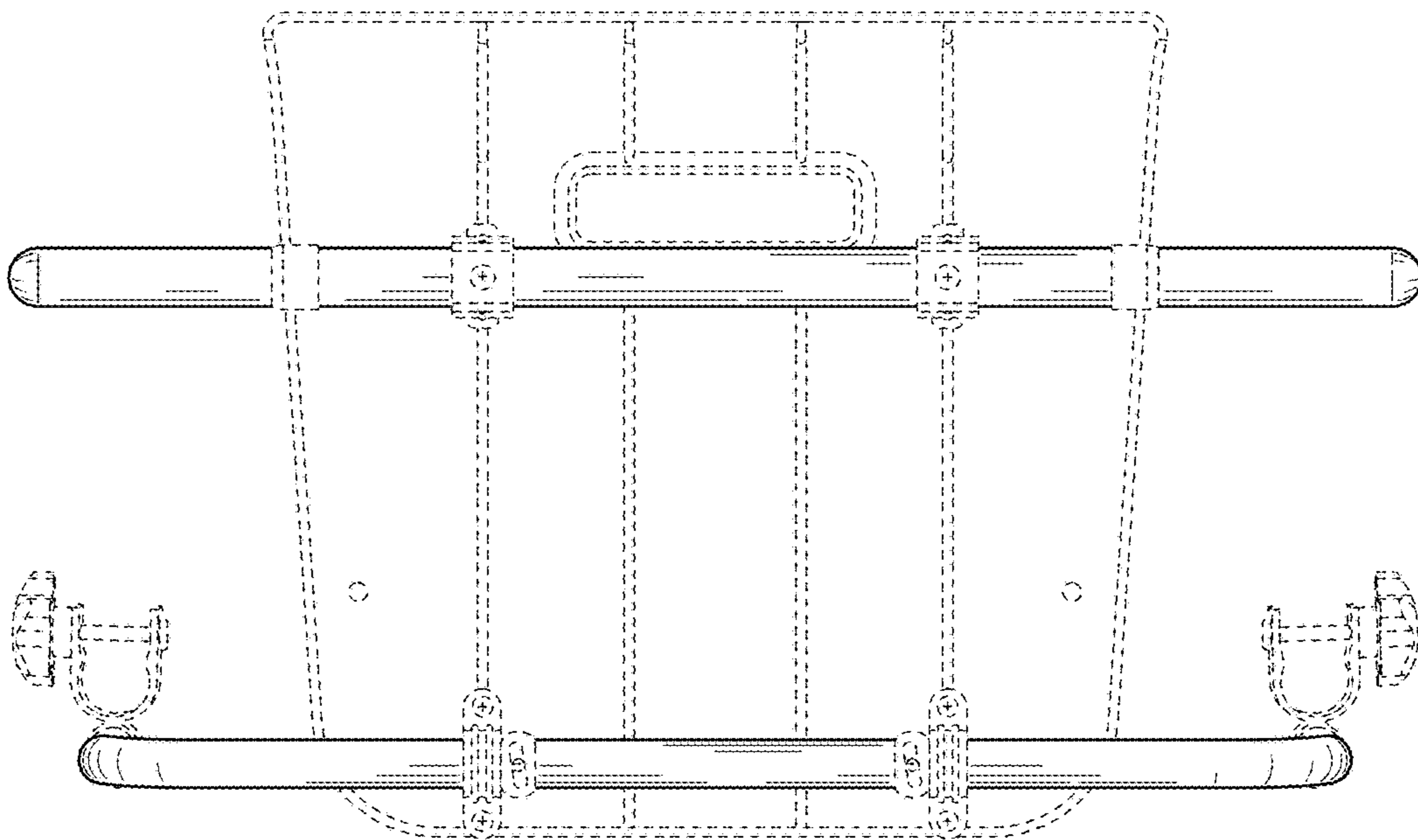


FIG. 7