



US00D811279S

(12) **United States Design Patent** (10) **Patent No.:** **US D811,279 S**
McCullough et al. (45) **Date of Patent:** **** Feb. 27, 2018**

(54) **ELECTRIC WHEELCHAIR**
(71) Applicant: **Pride Mobility Products Corporation**,
Exeter, PA (US)

D720,659 S * 1/2015 Tuckowski D12/131
D720,661 S * 1/2015 Siao D12/131
D720,663 S * 1/2015 Spalding D12/133

* cited by examiner

(72) Inventors: **Robert McCullough**, West Wyoming,
PA (US); **Kip Darrin Alder**, Harding,
PA (US)

Primary Examiner — Charles Hanson
(74) *Attorney, Agent, or Firm* — Morgan, Lewis &
Bockius LLP

(73) Assignee: **PRIDE MOBILITY PRODUCTS CORPORATION**, Exeter, PA (US)

(57) **CLAIM**

The ornamental design for an electric wheelchair, as shown and described.

(**) Term: **15 Years**

DESCRIPTION

(21) Appl. No.: **29/580,832**

(22) Filed: **Oct. 13, 2016**

(51) **LOC (11) Cl.** **12-12**

(52) **U.S. Cl.**
USPC **D12/131**

(58) **Field of Classification Search**
USPC D12/128–133
CPC A61G 5/00–5/14
See application file for complete search history.

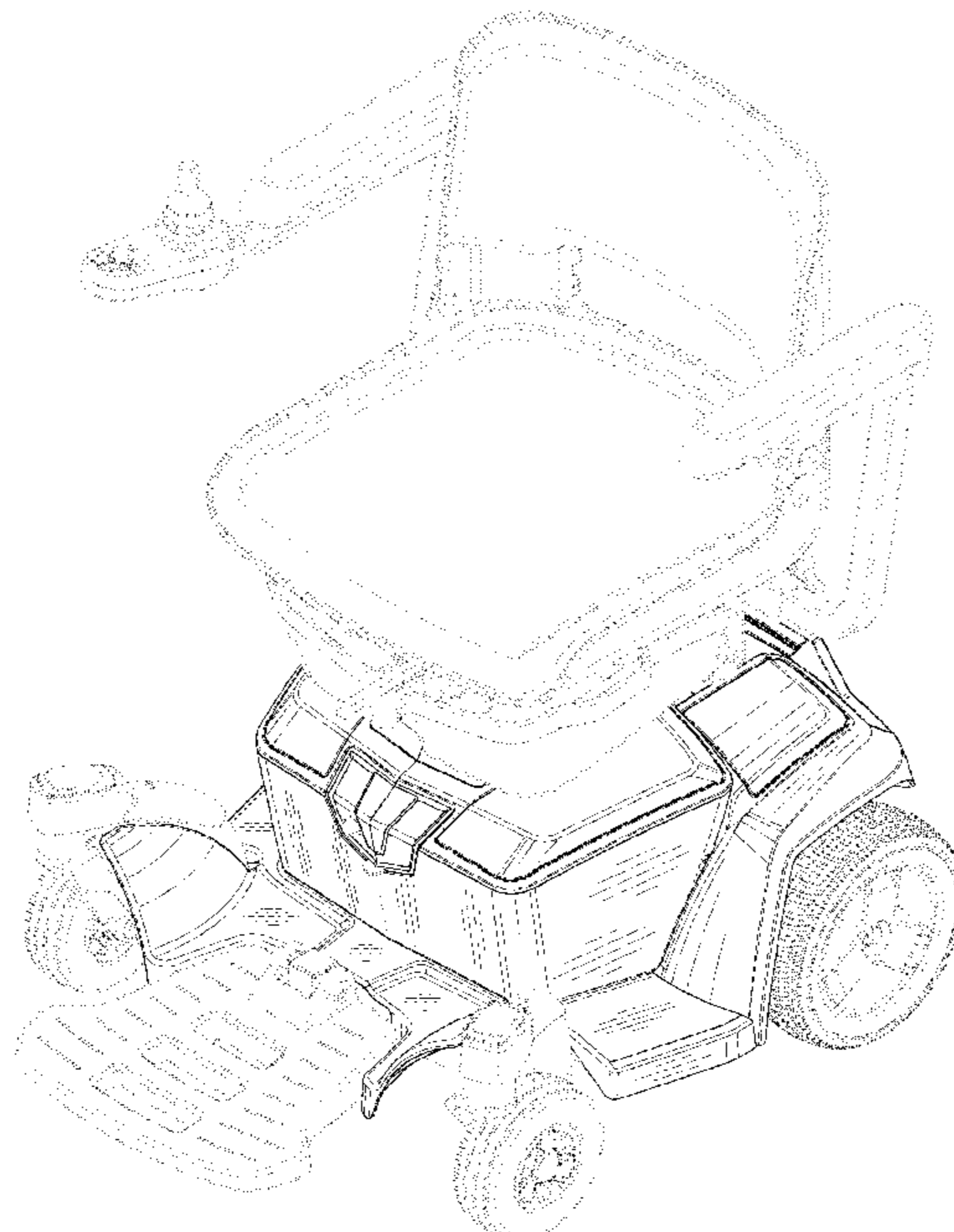
FIG. 1 is a front, top, left perspective view of an electric wheelchair showing our new design;
FIG. 2 is a rear, top, right perspective view of the electric wheelchair shown in FIG. 1;
FIG. 3 a front elevational view of the electric wheelchair shown in FIG. 1;
FIG. 4 is a rear elevational view of the electric wheelchair shown in FIG. 1;
FIG. 5 is a left-side elevational view of the electric wheelchair shown in FIG. 1;
FIG. 6 is a right-side elevational view of the electric wheelchair shown in FIG. 1;
FIG. 7 is a top plan view of the electric wheelchair shown in FIG. 1;
FIG. 8 is a top plan view of the electric wheelchair shown in FIG. 1 with the seat removed; and,
FIG. 9 is a bottom plan view of the electric wheelchair shown in FIG. 1.
The broken lines shown in the drawings represent portions of the electric wheelchair that form no part of the claimed design.

(56) **References Cited**

U.S. PATENT DOCUMENTS

D561,066 S * 2/2008 Cheng D12/133
D600,169 S * 9/2009 Chiu D12/133
D635,492 S * 4/2011 Art D12/133
D635,493 S * 4/2011 Art D12/133
D642,499 S * 8/2011 Tuckowski D12/133
D652,357 S * 1/2012 Jurkiewicz D12/128
D653,176 S * 1/2012 Jurkiewicz D12/131
D656,070 S * 3/2012 Spalding D12/131
D689,412 S * 9/2013 Mohan D12/133
D689,413 S * 9/2013 Mohan D12/133

1 Claim, 9 Drawing Sheets



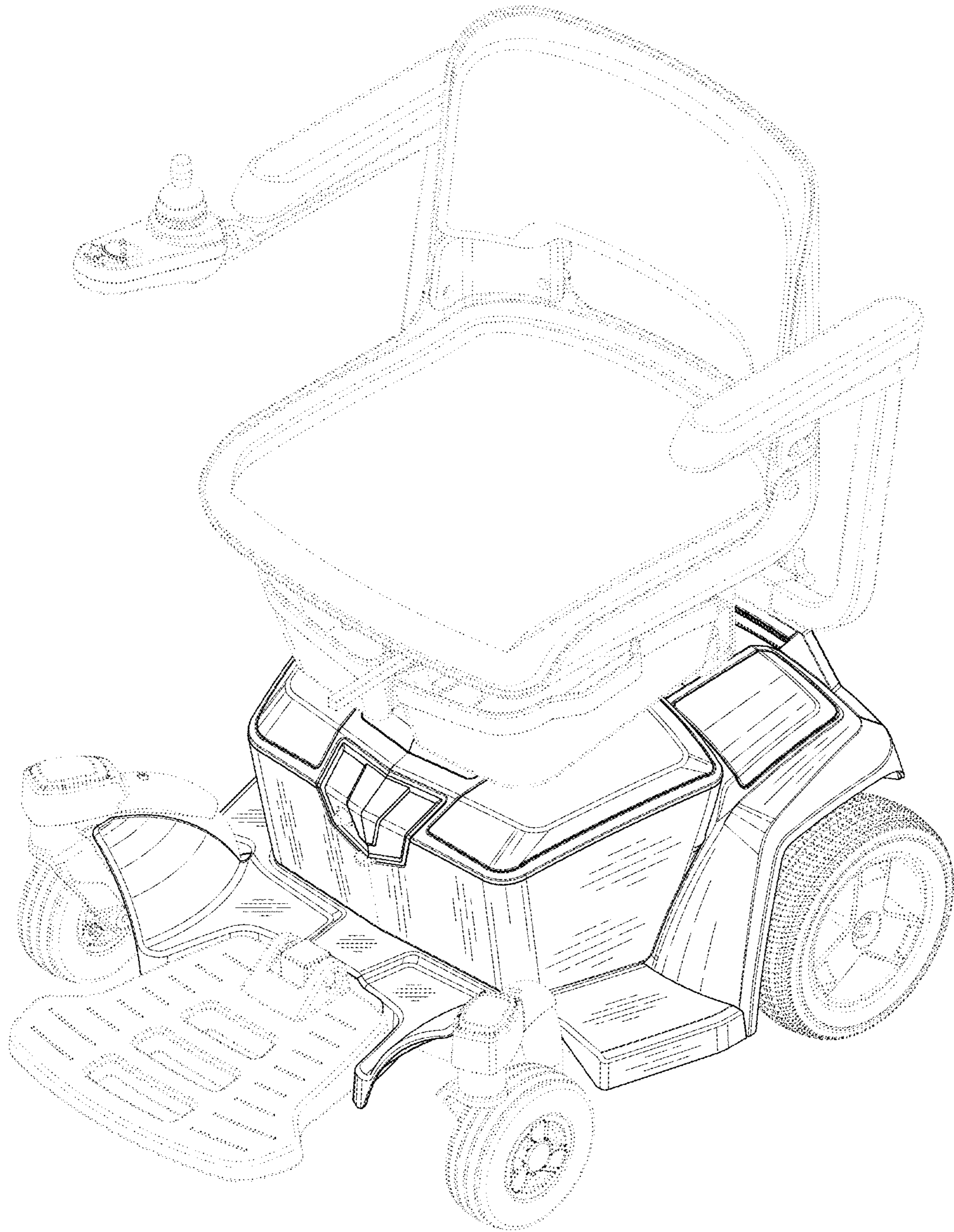


FIG. 1

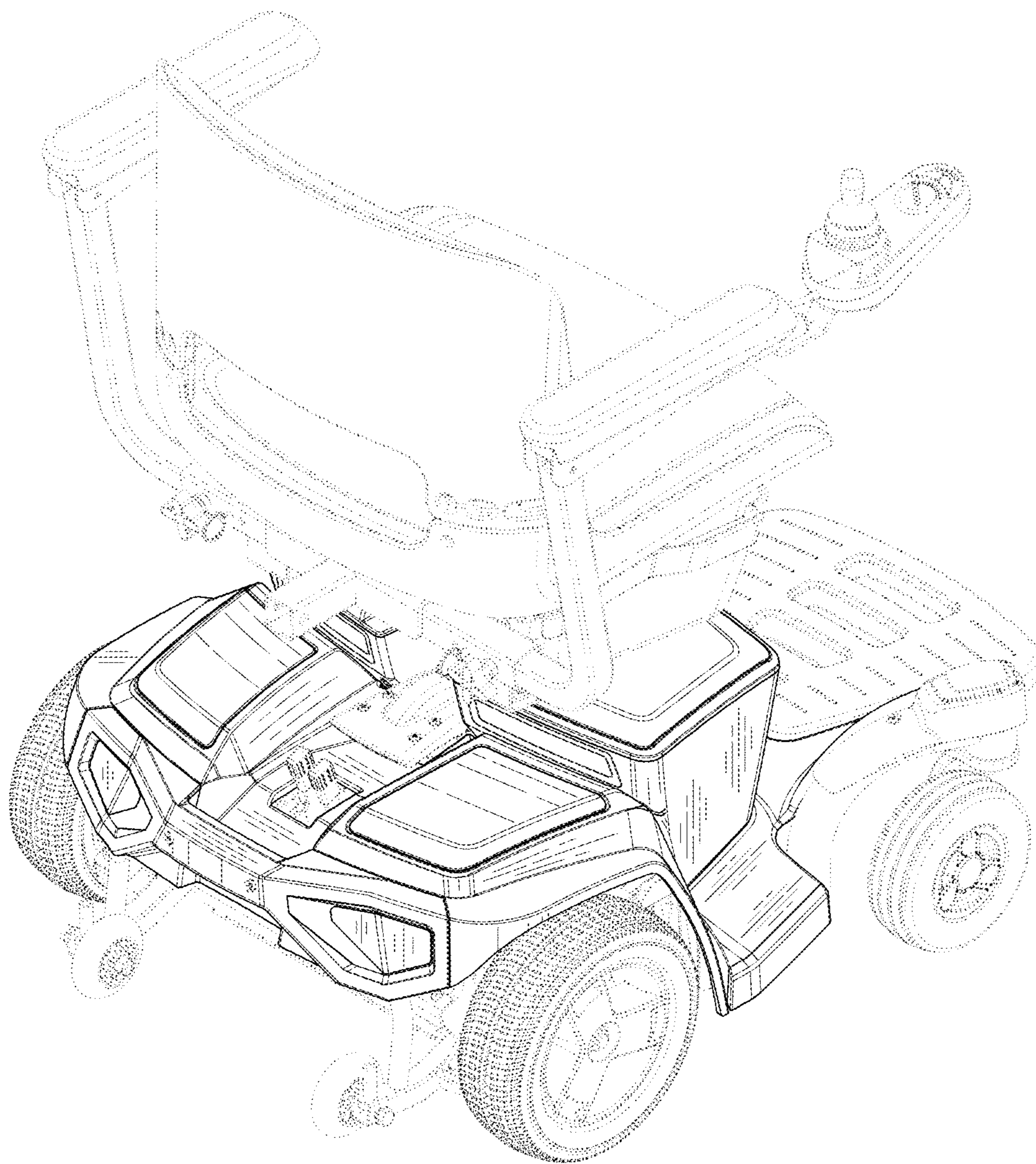


FIG. 2

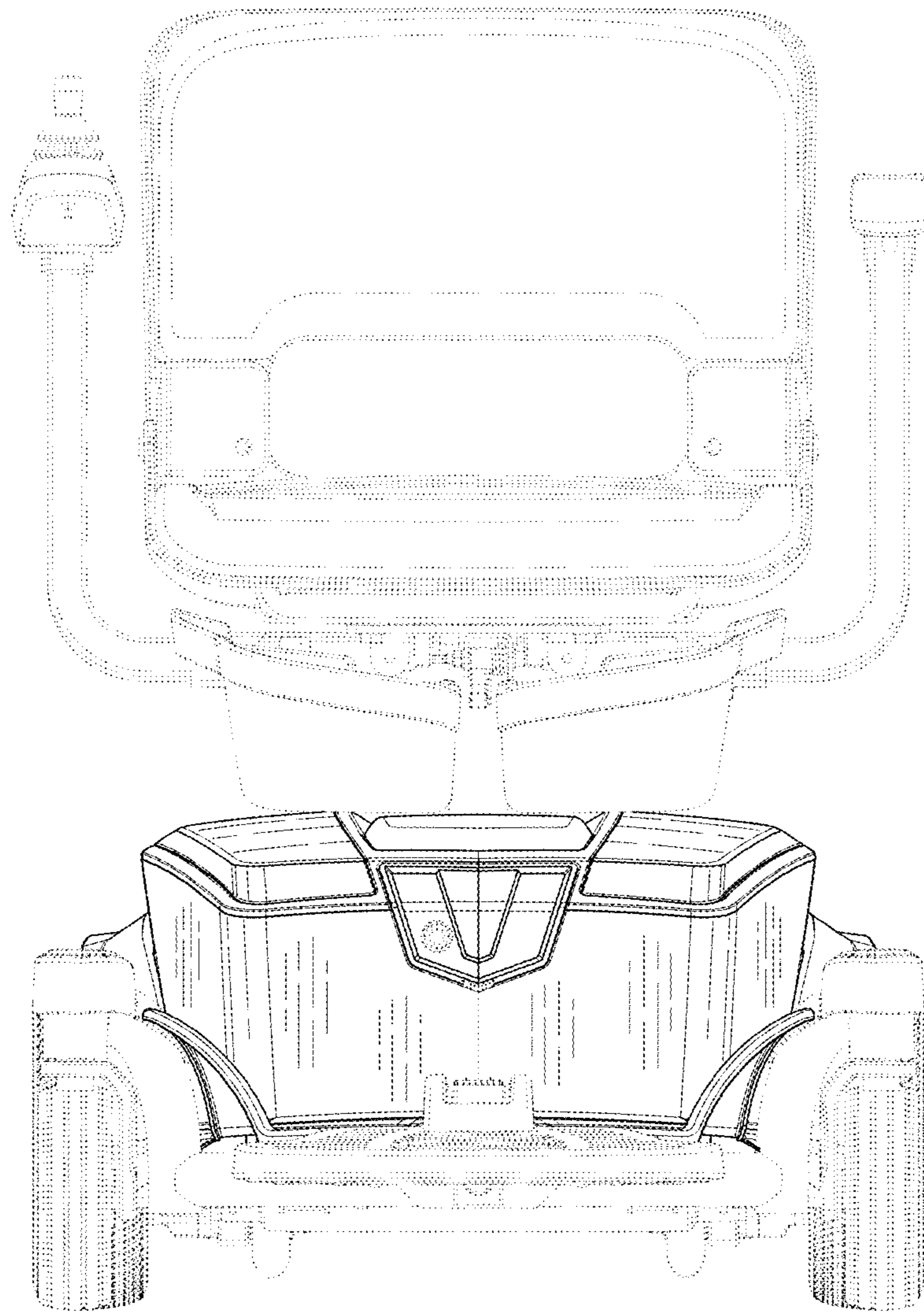


FIG. 3

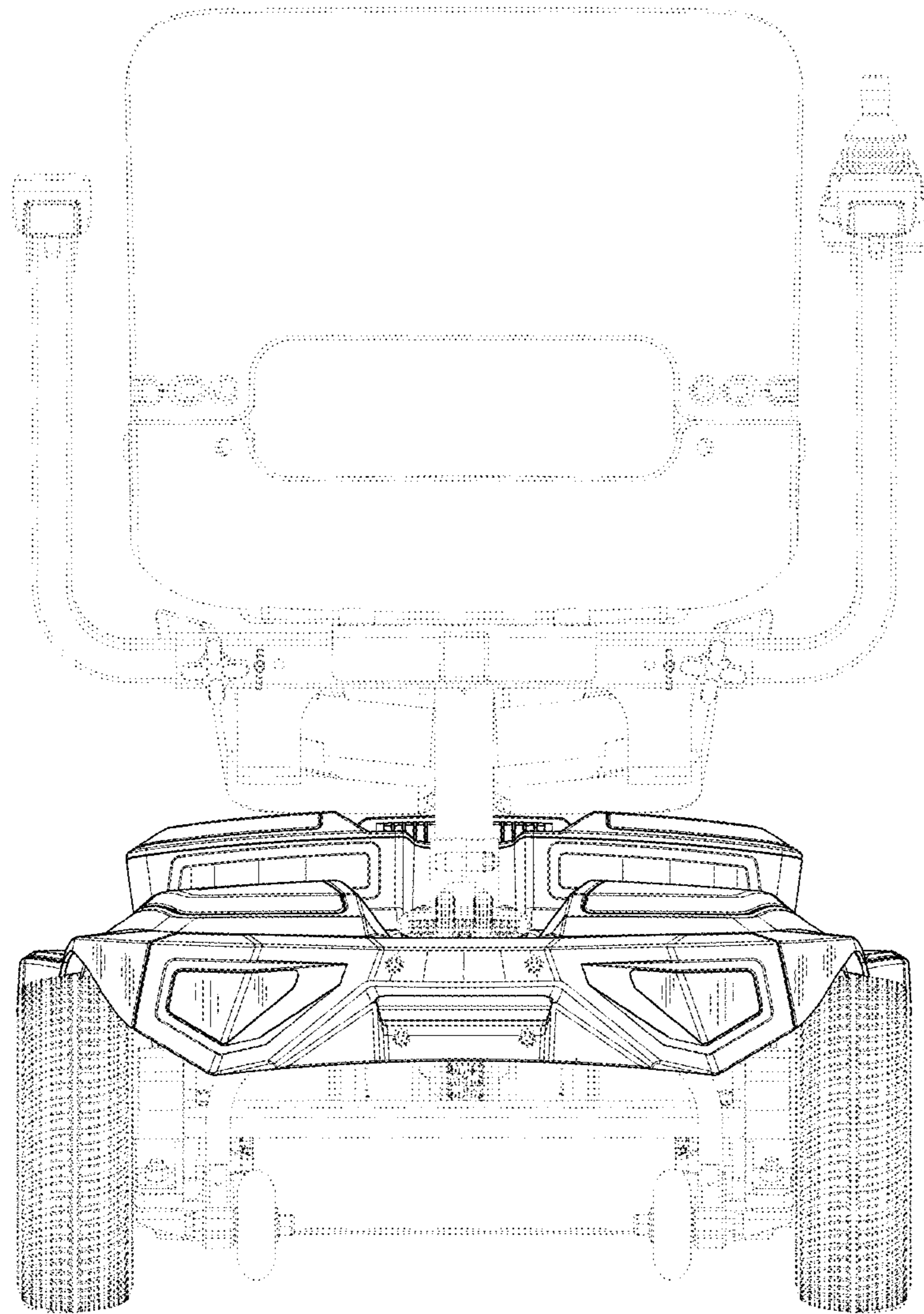


FIG. 4

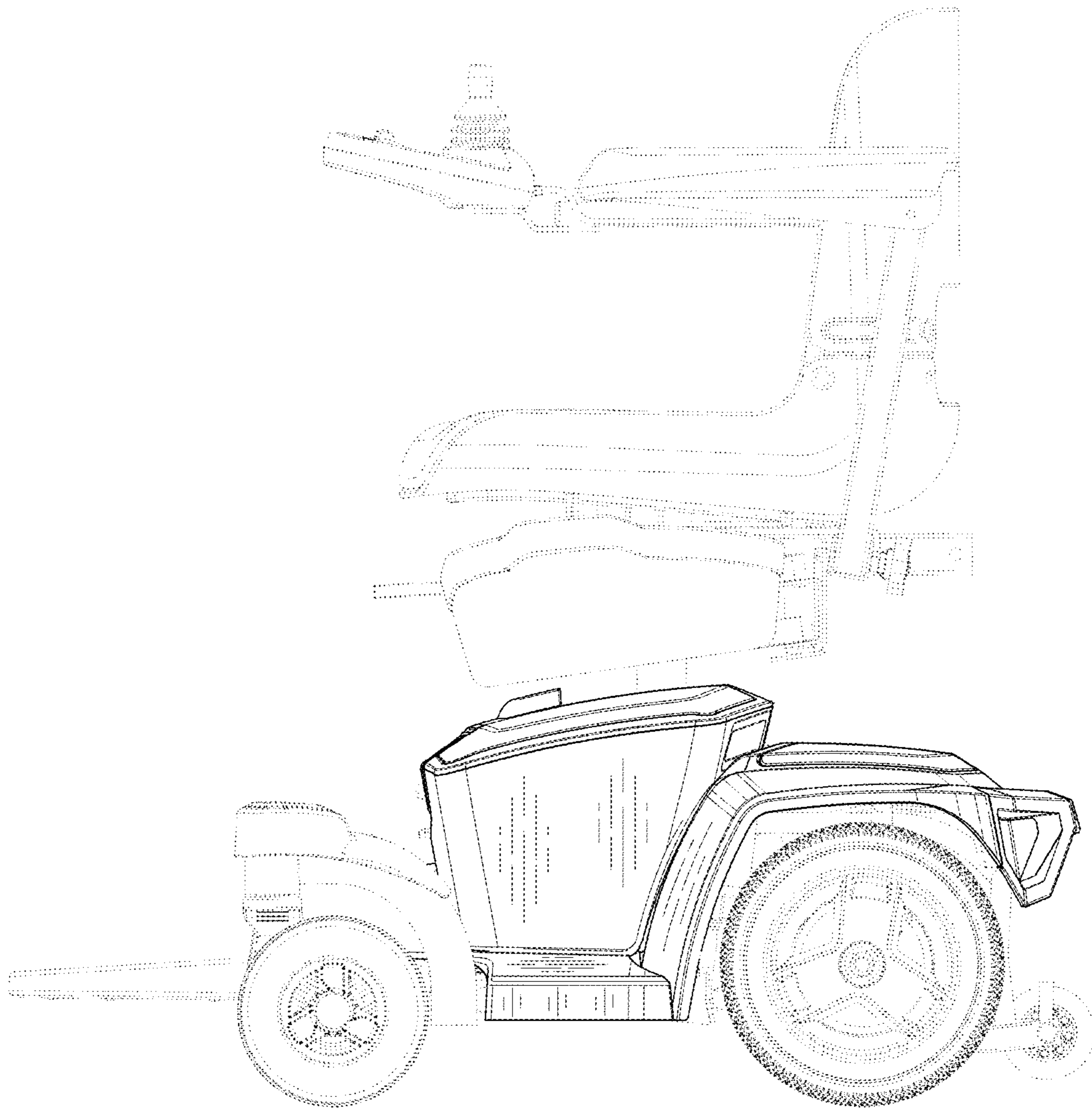


FIG. 5

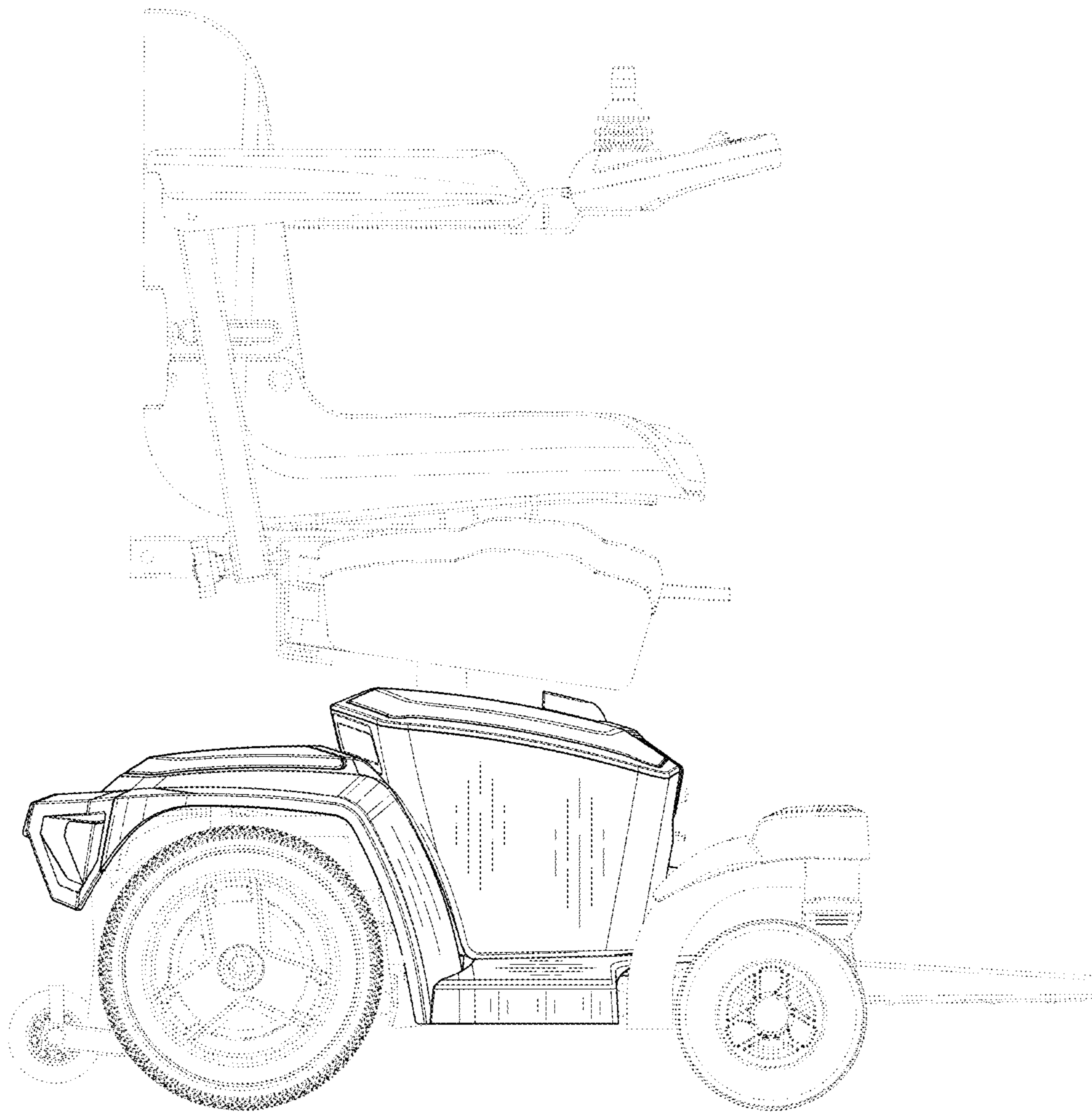


FIG. 6

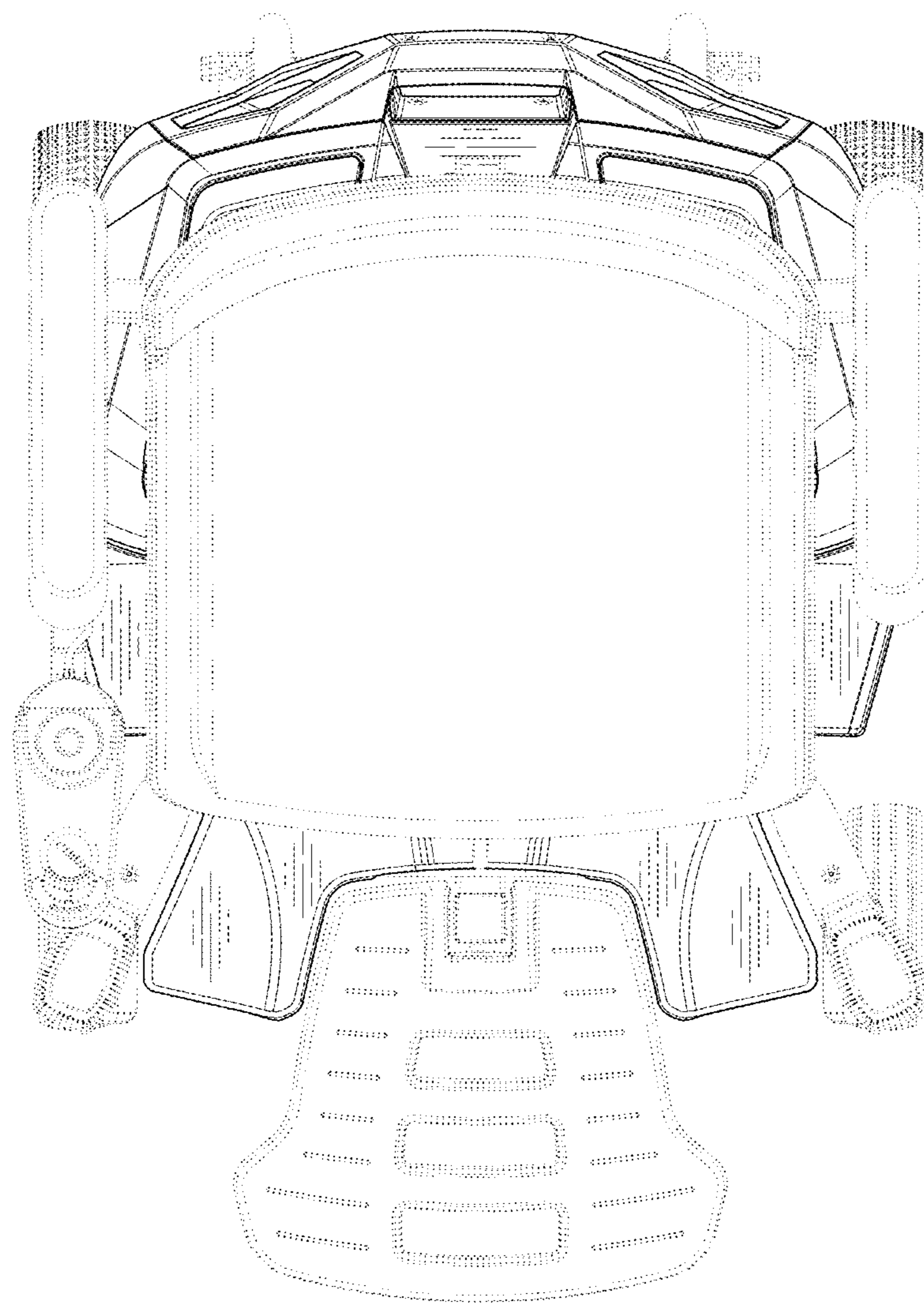


FIG. 7

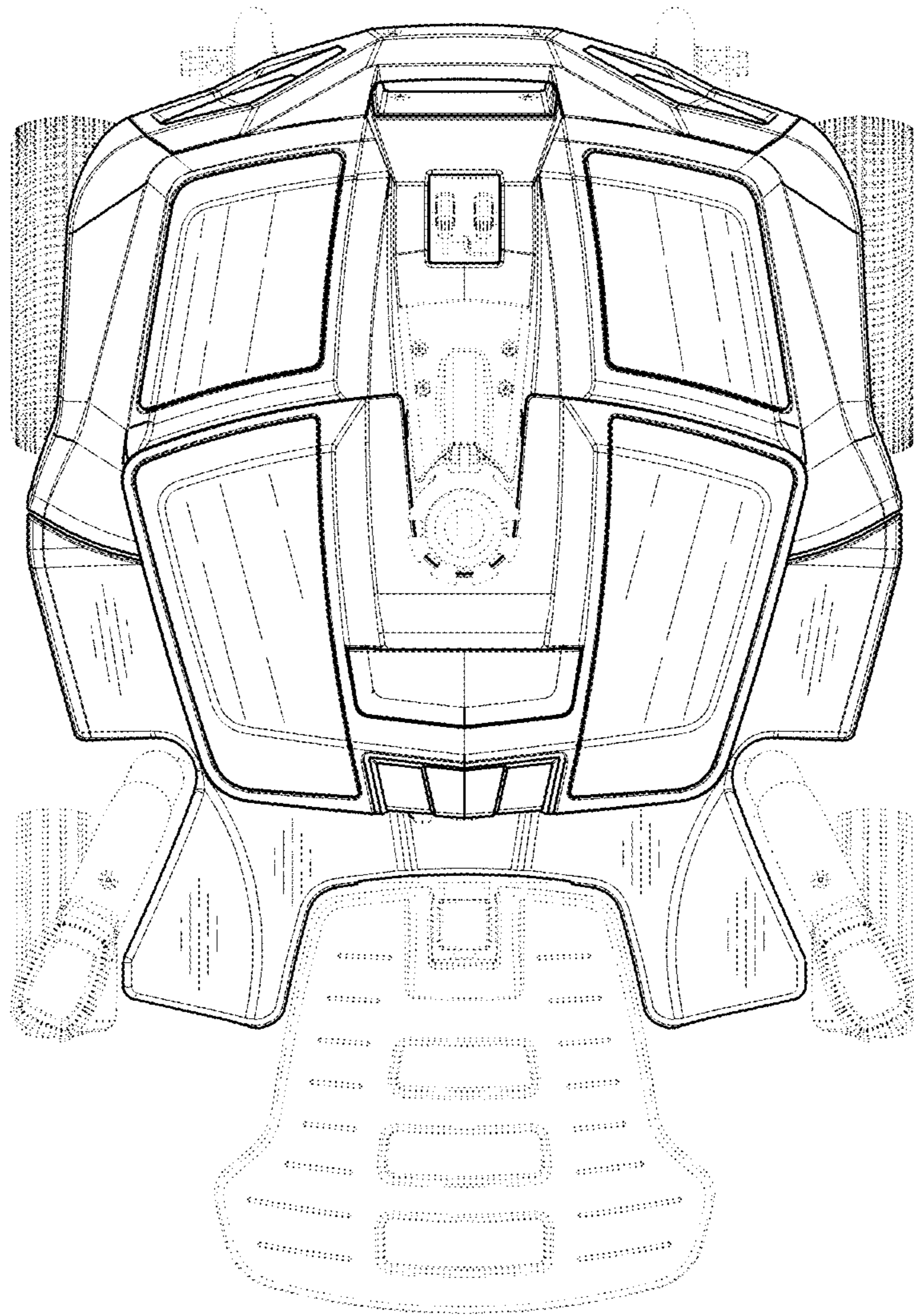


FIG. 8

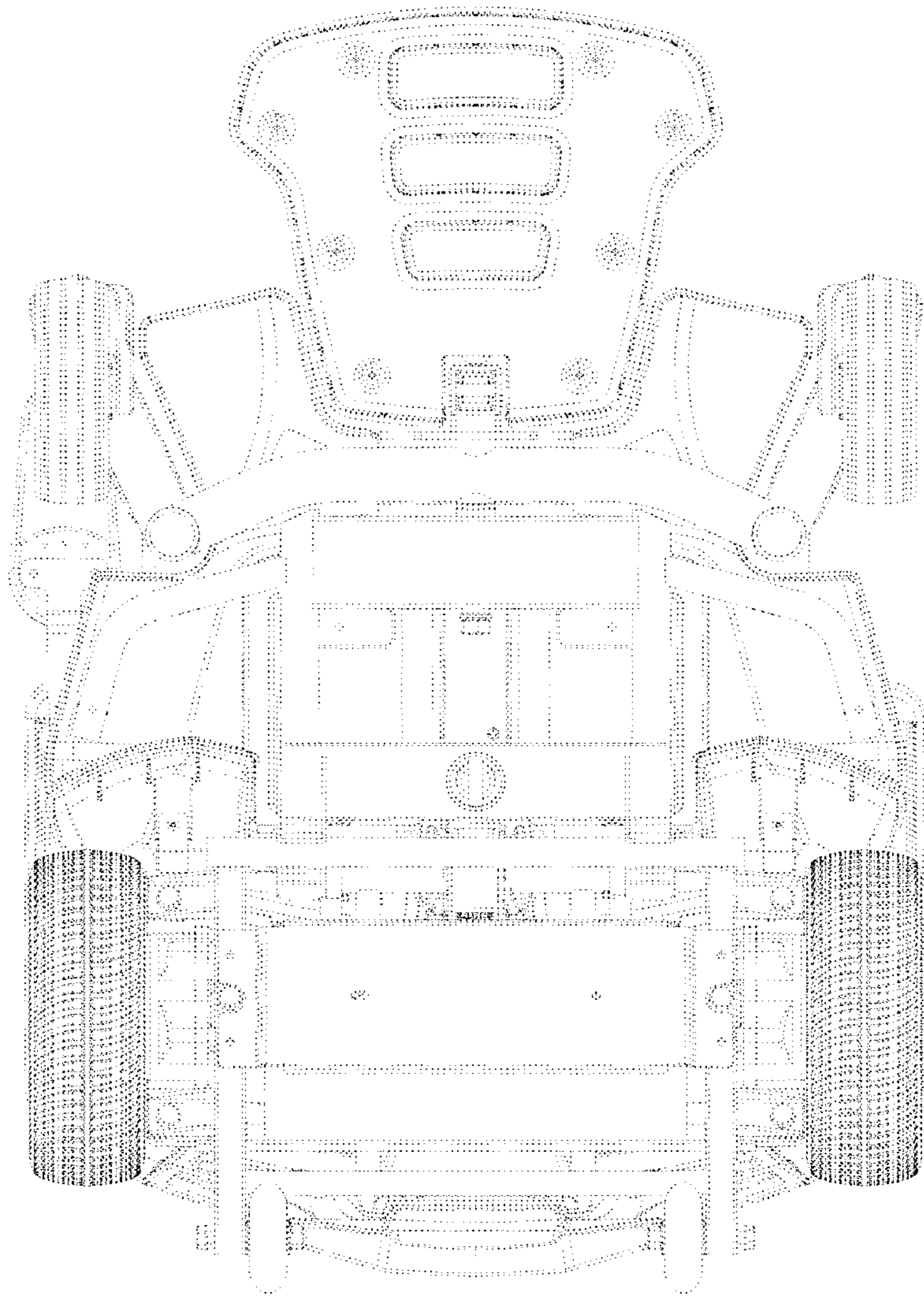


FIG. 9

UNITED STATES PATENT AND TRADEMARK OFFICE
CERTIFICATE OF CORRECTION

PATENT NO. : D811,279 S
APPLICATION NO. : 29/580832
DATED : February 27, 2018
INVENTOR(S) : Robert McCullough and Kip Darrin Alder

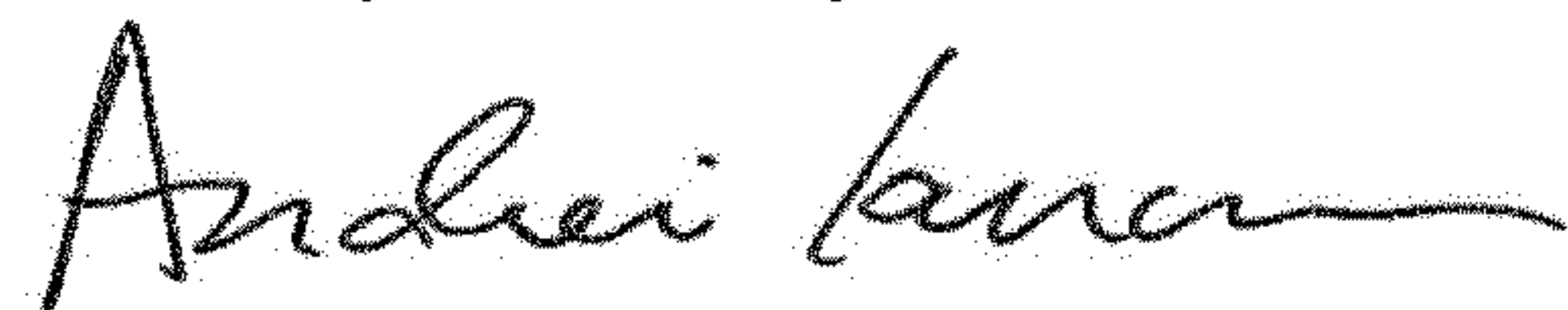
Page 1 of 1

It is certified that error appears in the above-identified patent and that said Letters Patent is hereby corrected as shown below:

On the Title Page

Item (72) Inventors is corrected to read:
-- Robert McCollough, West Wyoming, PA (US);
Kip Darrin Alder, Harding, PA (US) --.

Signed and Sealed this
Twenty-fifth Day of June, 2019



Andrei Iancu
Director of the United States Patent and Trademark Office