



US00D811278S

(12) **United States Design Patent** (10) **Patent No.:** **US D811,278 S**  
**Knopow et al.** (45) **Date of Patent:** **\*\* Feb. 27, 2018**

- (54) **AMBULATION AID**
- (71) Applicant: **Motivo, Inc.**, Franklin, WI (US)
- (72) Inventors: **Jeremy F. Knopow**, Burlington, WI (US); **Jennifer R. Harris**, Milwaukee, WI (US)
- (73) Assignee: **MOTIVO, INC.**, New Berlin, WI (US)
- (\*\*) Term: **15 Years**
- (21) Appl. No.: **29/576,506**
- (22) Filed: **Sep. 2, 2016**

**Related U.S. Application Data**

- (63) Continuation of application No. 29/495,383, filed on Jun. 30, 2014, now Pat. No. Des. 765,556.
- (51) **LOC (11) Cl.** ..... **12-12**
- (52) **U.S. Cl.**  
USPC ..... **D12/130**
- (58) **Field of Classification Search**  
USPC ..... **D12/128-133**

(Continued)

(56) **References Cited**

**U.S. PATENT DOCUMENTS**

- 268,238 A 11/1882 Johnson
- 320,462 A 6/1885 Cowing

(Continued)

**OTHER PUBLICATIONS**

United States Patent and Trademark Office, "Notice of Allowance", issued in connection with U.S. Appl. No. 29/478,130, dated May 9, 2016, 12 pages.

(Continued)

*Primary Examiner* — Charles Hanson

(74) *Attorney, Agent, or Firm* — Hanley, Flight and Zimmerman, LLC

(57) **CLAIM**

The ornamental design for an "ambulation aid," as shown and described.

**DESCRIPTION**

FIG. 1 is a first isometric view of an ambulation aid showing a storage compartment in an open position, a tray in a non-stored position and a seat in a non-stored position. FIG. 2 is a rear view of the ambulation aid of FIG. 1. FIG. 3 is a front view of the ambulation aid of FIG. 1. FIG. 4 is a first side view of the ambulation aid of FIG. 1. FIG. 5 is a second side view of the ambulation aid of FIG. 1. FIG. 6 is a top view of the ambulation aid of FIG. 1. FIG. 7 is a bottom view of the ambulation aid of FIG. 1. FIG. 8 is a second isometric view of the ambulation aid of FIG. 1. FIG. 9 is a first isometric view of an ambulation aid in a folded configuration. FIG. 10 is a rear view of the ambulation aid of FIG. 9. FIG. 11 is a front view of the ambulation aid of FIG. 9. FIG. 12 is a first side view of the ambulation aid of FIG. 9. FIG. 13 is a second side view of the ambulation aid of FIG. 9. FIG. 14 is a top view of the ambulation aid of FIG. 9. FIG. 15 is a bottom view of the ambulation aid of FIG. 9. FIG. 16 is a second isometric view of the ambulation aid of FIG. 9. FIG. 17 is a first isometric view of an ambulation aid showing a storage compartment in a closed position, a tray in a stored position and a seat in a stored position. FIG. 18 is a rear view of the ambulation aid of FIG. 17. FIG. 19 is a front view of the ambulation aid of FIG. 17. FIG. 20 is a first side view of the ambulation aid of FIG. 17. FIG. 21 is a second side view of the ambulation aid of FIG. 17. FIG. 22 is a top view of the ambulation aid of FIG. 17. FIG. 23 is a bottom view of the ambulation aid of FIG. 17.

(Continued)

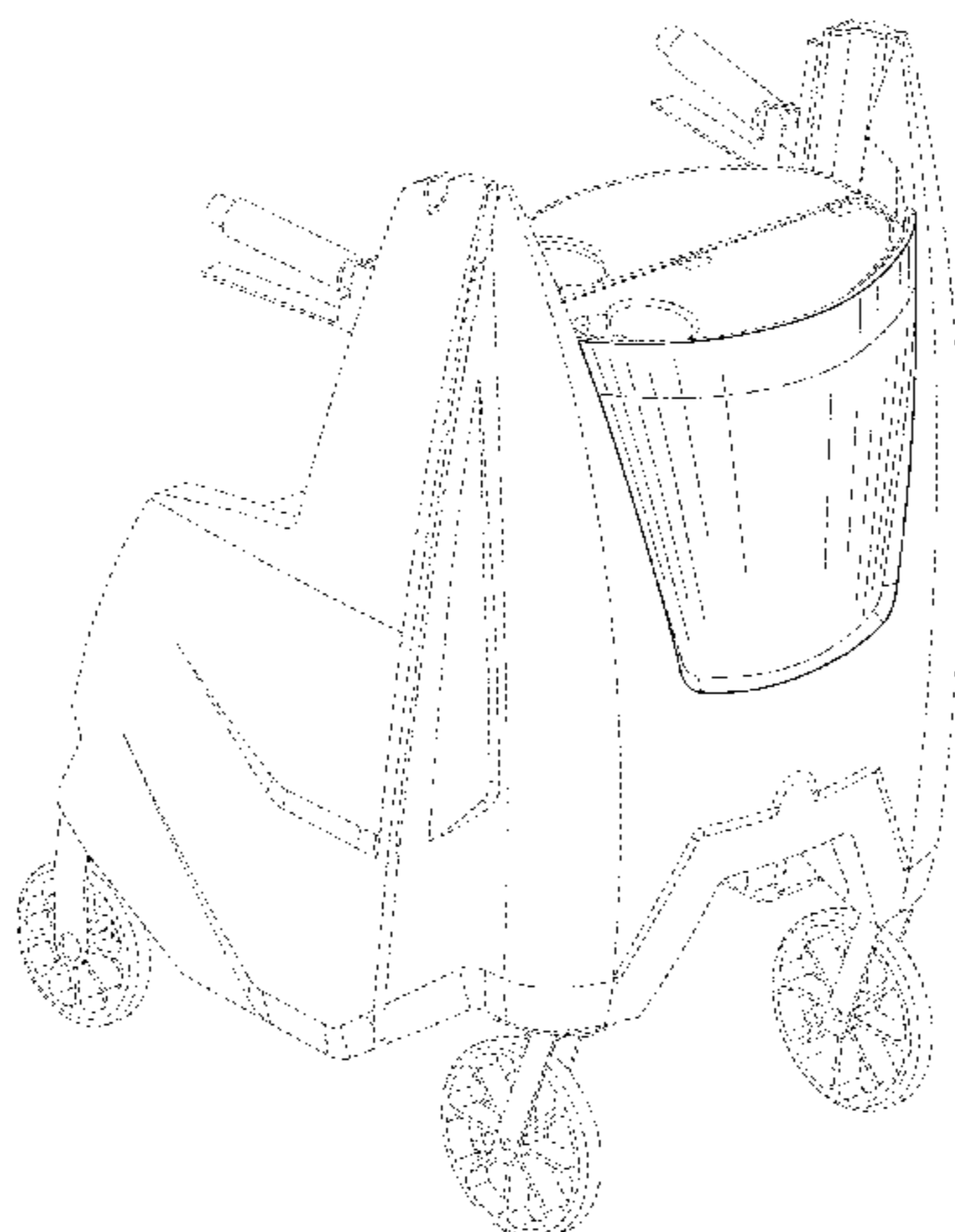


FIG. 24 is a second isometric view of the ambulation aid of FIG. 17.

FIG. 25 is a first isometric view of an ambulation aid showing a storage compartment in a closed position, a tray in a stored position and a seat in a non-stored position.

FIG. 26 is a rear view of the ambulation aid of FIG. 25.

FIG. 27 is a front view of the ambulation aid of FIG. 25.

FIG. 28 is a first side view of the ambulation aid of FIG. 25.

FIG. 29 is a second side view of the ambulation aid of FIG. 25.

FIG. 30 is a top view of the ambulation aid of FIG. 25.

FIG. 31 is a bottom view of the ambulation aid of FIG. 25.

FIG. 32 is a second isometric view of the ambulation aid of FIG. 25.

FIG. 33 is a first isometric view of an ambulation aid showing a storage compartment in an open position, a tray in a stored position and a seat in a stored position.

FIG. 34 is a rear view of the ambulation aid of FIG. 33.

FIG. 35 is a front view of the ambulation aid of FIG. 33.

FIG. 36 is a first side view of the ambulation aid of FIG. 33.

FIG. 37 is a second side view of the ambulation aid of FIG. 33.

FIG. 38 is a top view of the ambulation aid of FIG. 33.

FIG. 39 is a bottom view of the ambulation aid of FIG. 33.

FIG. 40 is a second isometric view of the ambulation aid of FIG. 33.

FIG. 41 is a first isometric view of an ambulation aid showing a storage compartment in a closed position, a tray in a non-stored position and a seat in a stored position.

FIG. 42 is a rear view of the ambulation aid of FIG. 41.

FIG. 43 is a front view of the ambulation aid of FIG. 41.

FIG. 44 is a first side view of the ambulation aid of FIG. 41.

FIG. 45 is a second side view of the ambulation aid of FIG. 41.

FIG. 46 is a top view of the ambulation aid of FIG. 41.

FIG. 47 is a bottom view of the ambulation aid of FIG. 41; and,

FIG. 48 is a second isometric view of the ambulation aid of FIG. 41.

The features shown in broken lines represent structural components of the ambulation aid, for example. The features shown in broken lines form no part of the claimed design. The features shown in dot/dashed lines represent contouring of the ambulation aid, for example. The features shown in dot/dashed lines form no part of the claimed design.

**1 Claim, 47 Drawing Sheets**

(58) **Field of Classification Search**

CPC ..... A61H 3/00; A61H 3/04; A61H 2003/001–2003/007; A61H 2003/043; A61H 2003/046

See application file for complete search history.

(56)

**References Cited**

U.S. PATENT DOCUMENTS

673,100 A	4/1901	Tyler	
1,394,224 A	10/1921	Scott	
1,448,783 A	3/1923	Blewitt et al.	
1,802,323 A	4/1931	Aulmann	
2,205,978 A *	6/1940	Hoag .....	A61H 3/04 297/5
2,278,901 A	4/1942	Smock	
2,305,249 A	12/1942	Frost	
2,437,778 A	3/1948	Ames	
2,667,914 A	2/1954	Forbes	
2,745,465 A	5/1956	Hogan	
2,796,916 A	6/1957	Womble	
2,817,387 A	12/1957	Blake	
4,029,311 A	6/1977	Chanslor et al.	
D315,702 S *	3/1991	Van Dyke .....	D12/133
5,529,425 A	6/1996	Spies et al.	
5,692,762 A	12/1997	Obitts	
D397,644 S	9/1998	Douglass	
6,014,981 A	1/2000	Douglass	
D503,130 S *	3/2005	Bourget .....	D12/130
7,040,637 B2	5/2006	Owens et al.	
7,108,004 B2	9/2006	Cowie et al.	
D533,814 S *	12/2006	Kende .....	D12/130
7,157,034 B2	1/2007	Bristow et al.	
7,198,284 B2	4/2007	Cerreto et al.	
7,559,560 B2	7/2009	Li et al.	
7,866,677 B1	1/2011	Rothstein et al.	
8,434,780 B2	5/2013	Li	
8,602,185 B1 *	12/2013	White .....	A61H 3/04 135/66

OTHER PUBLICATIONS

United States Patent and Trademark Office, “Final Office Action”, issued in connection with U.S. Appl. No. 29/478,130, dated Feb. 16, 2016, 13 pages.

United States Patent and Trademark Office, “Non-Final Office Action,” issued in connection with U.S. Appl. No. 29/478,130, dated Sep. 10, 2015, 17 pages.

Invacare Corporation, “Personal Care Products,” 2001, 32 Pages.

Scooterville, “Runabout Folding Rollator (SC808)” retrieved from the internet: <[http://www.scooterville.com/Scooterville\\_Runabout\\_Folding\\_Rollator\\_%28SC808%29/p/41726/c/669/](http://www.scooterville.com/Scooterville_Runabout_Folding_Rollator_%28SC808%29/p/41726/c/669/)>, last visited Jun. 27, 2014, 2 pages.

Eurovema, “Volaris 1422150 S7 Rollator,” p. 67, retrieved from the internet: <[http://www.volaris.se/en-gb/pdf/broschyr/broschyr\\_eurovema\\_1406\\_eng.pdf](http://www.volaris.se/en-gb/pdf/broschyr/broschyr_eurovema_1406_eng.pdf)>, last visited Jun. 27, 2014, 73 pages.

Breeze by Access, “Breeze,” published Nov. 22, 2012, [<http://www.breeze-walker.com/>], retrieved Jun. 27, 2014, 2 pages.

Active by Access, “The Active Design rollator,” published Jul. 22, 2009, [<http://www.active-walker.com/usa/home>], retrieved Jun. 27, 2014, 1 page.

Invacare Corporation, “Dolomite,” [<http://www.dolomite.biz>], retrieved Jun. 27, 2014, 1 page.

United States Patent and Trademark Office, “Notice of Allowance”, issued in connection with U.S. Appl. No. 29/495,383, dated Apr. 26, 2016, 12 pages.

United States Patent and Trademark Office, “Non-Final Office Action”, issued in connection with U.S. Appl. No. 29/495,383, dated Sep. 11, 2015, 18 pages.

United States Patent and Trademark Office, “Final Office Action”, issued in connection with U.S. Appl. No. 29/495,383, dated Feb. 9, 2016, 11 pages.

\* cited by examiner



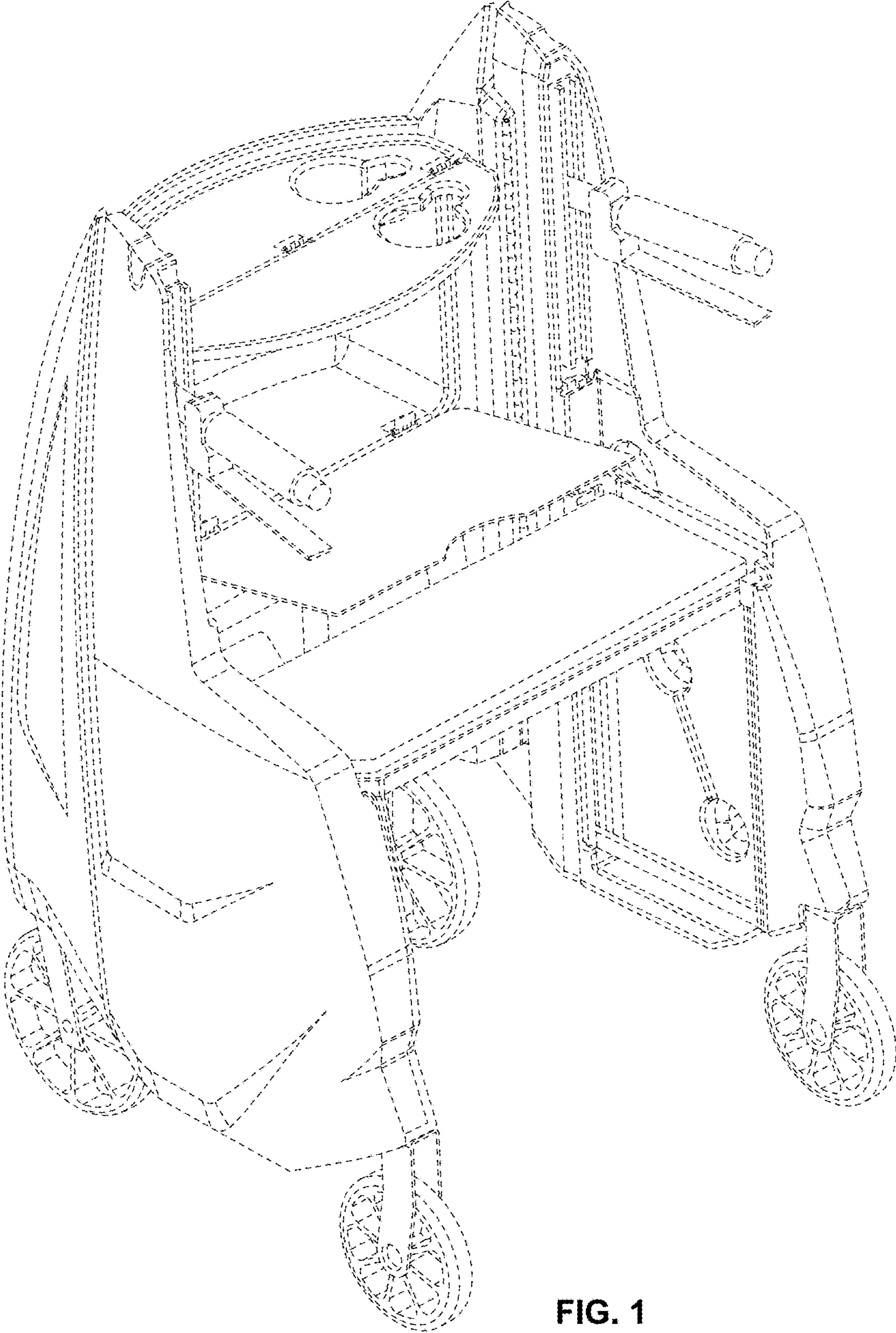


FIG. 1

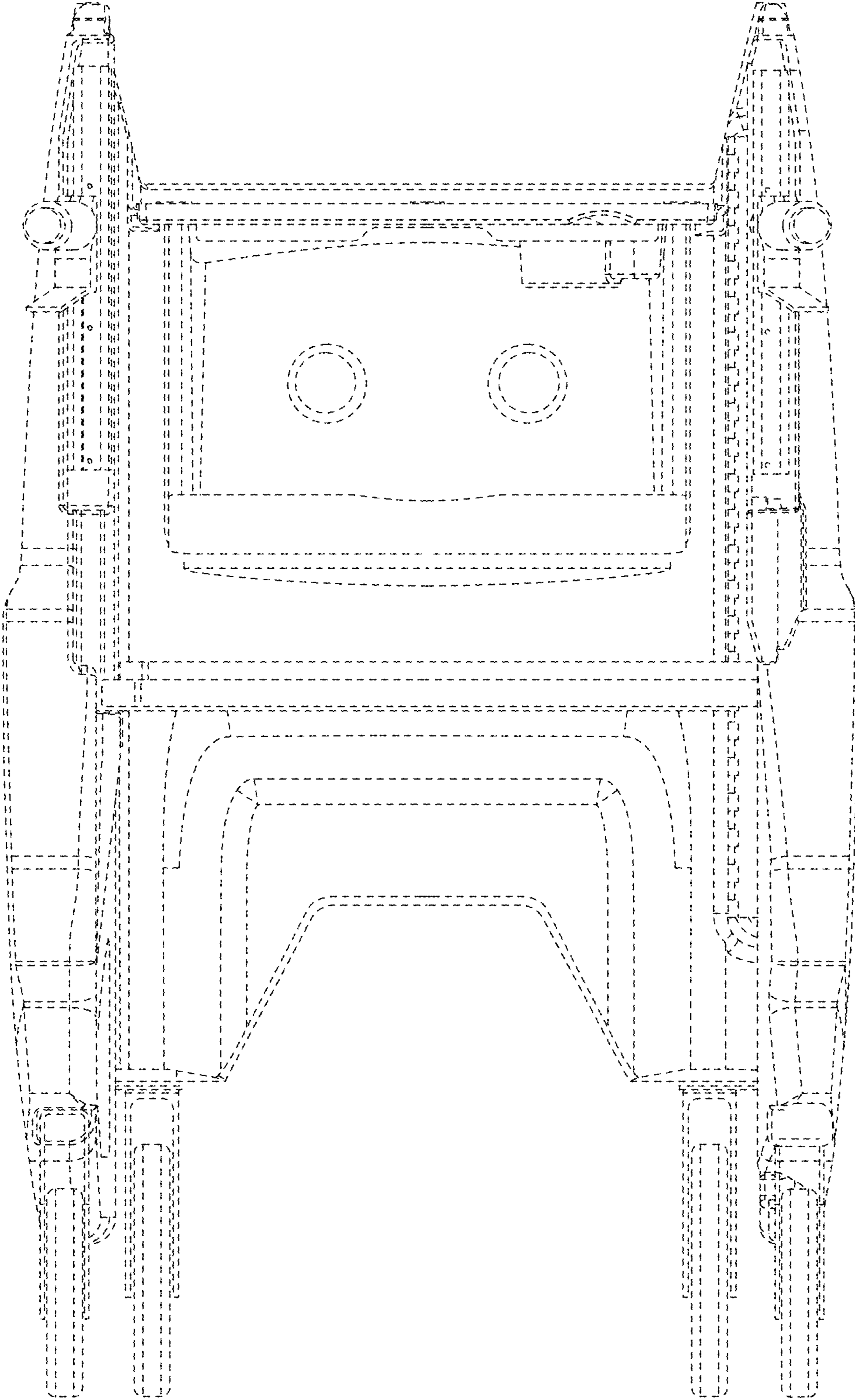


FIG. 2

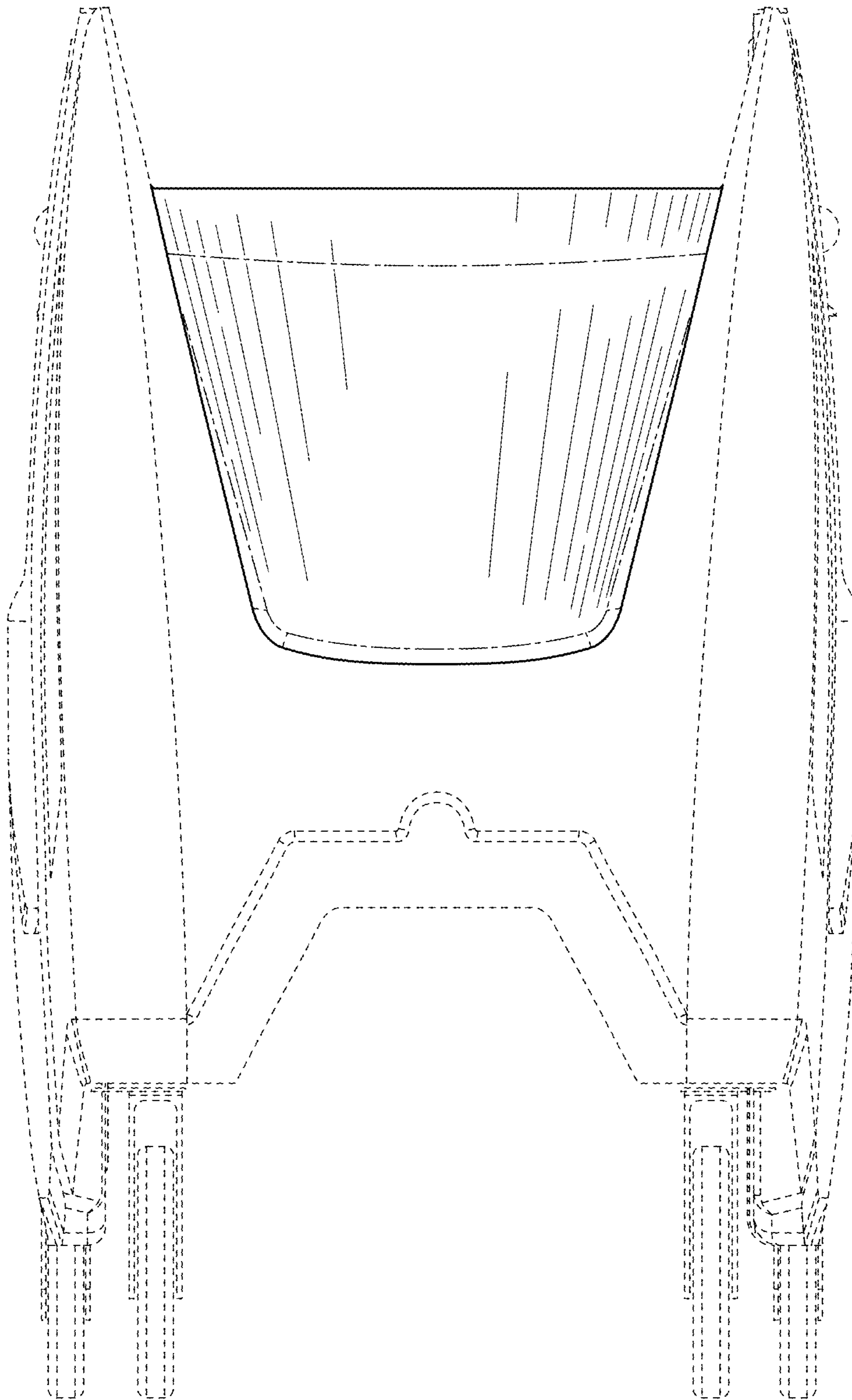


FIG. 3

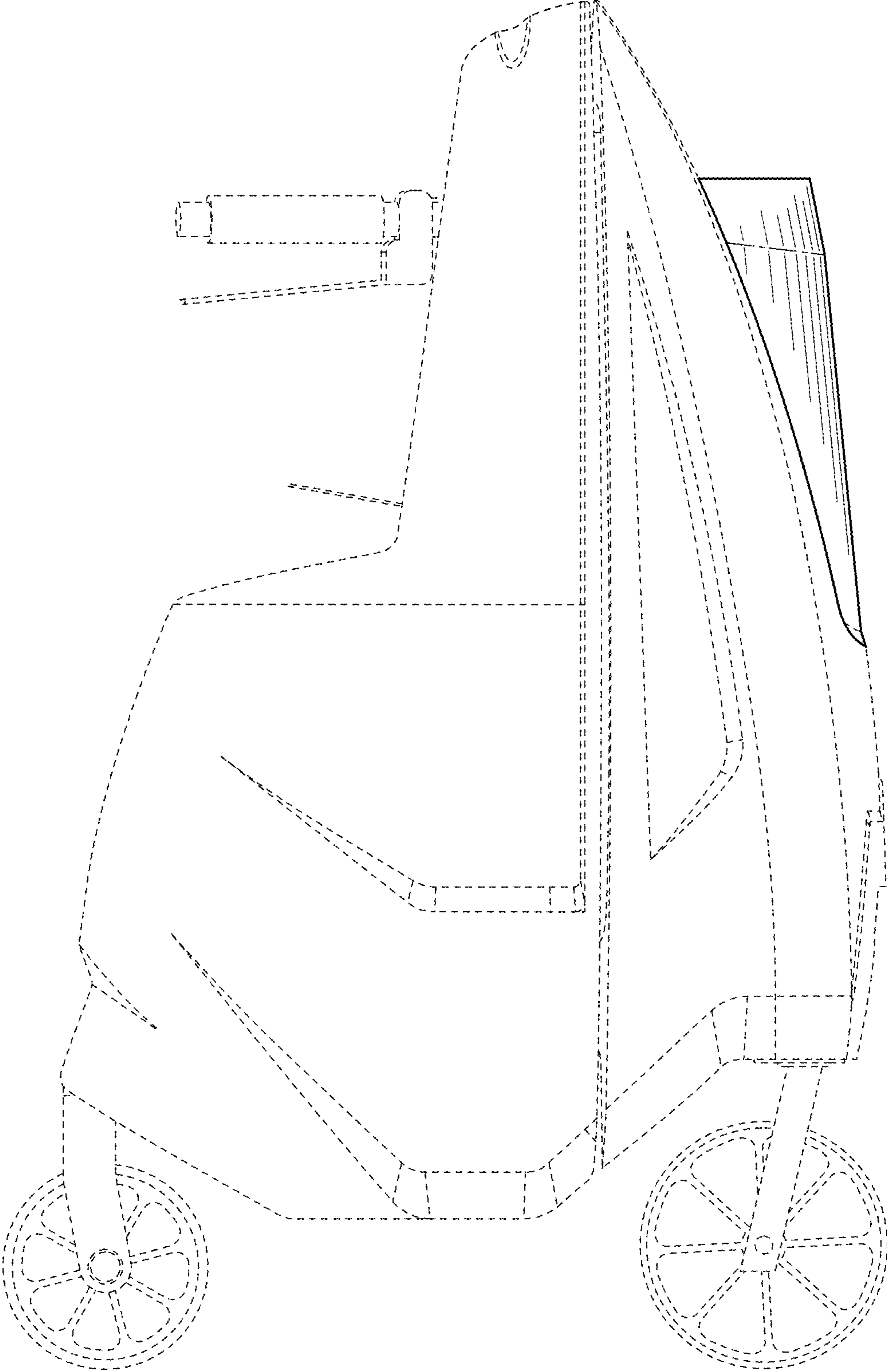


FIG. 4



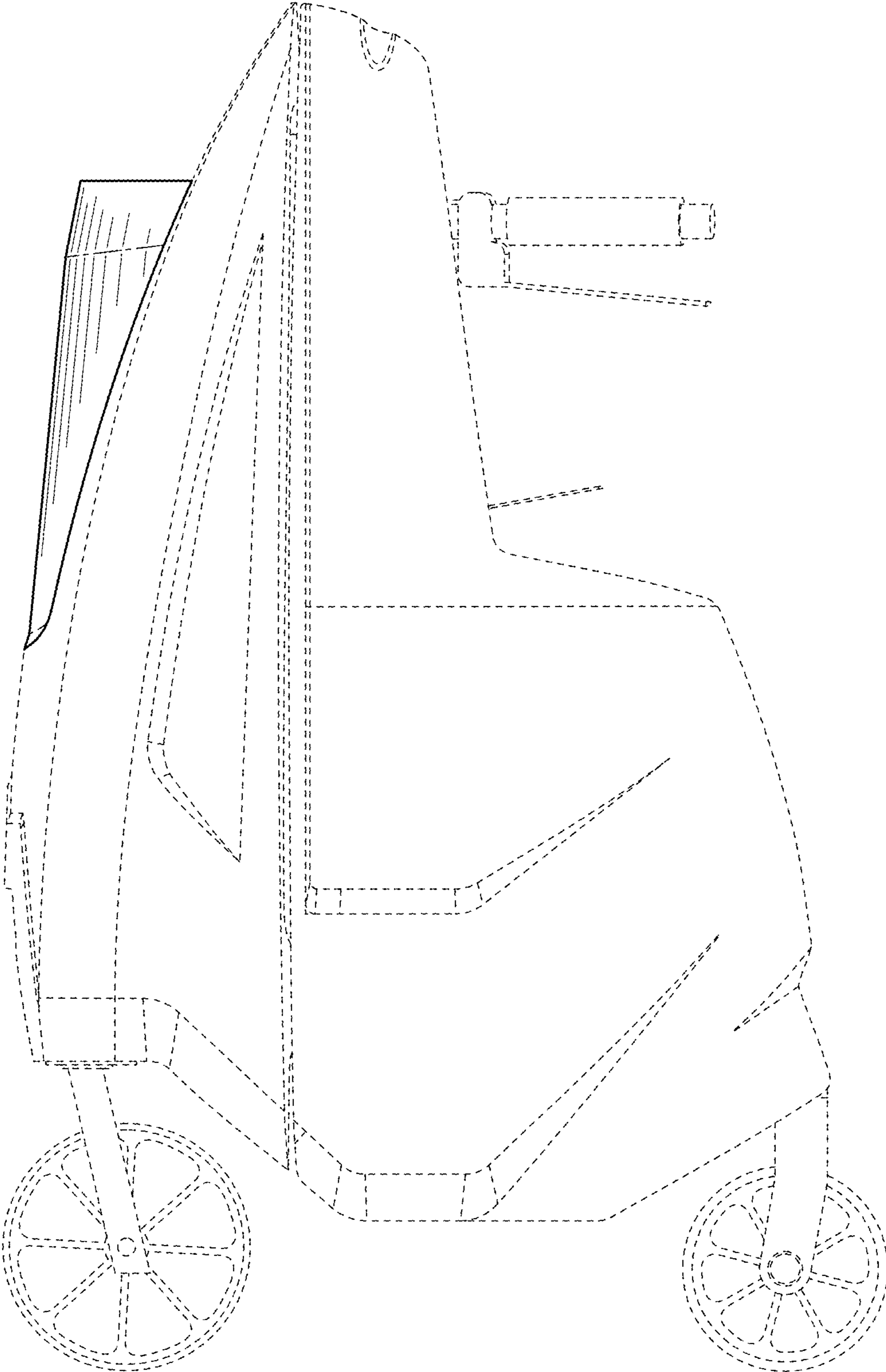


FIG. 5

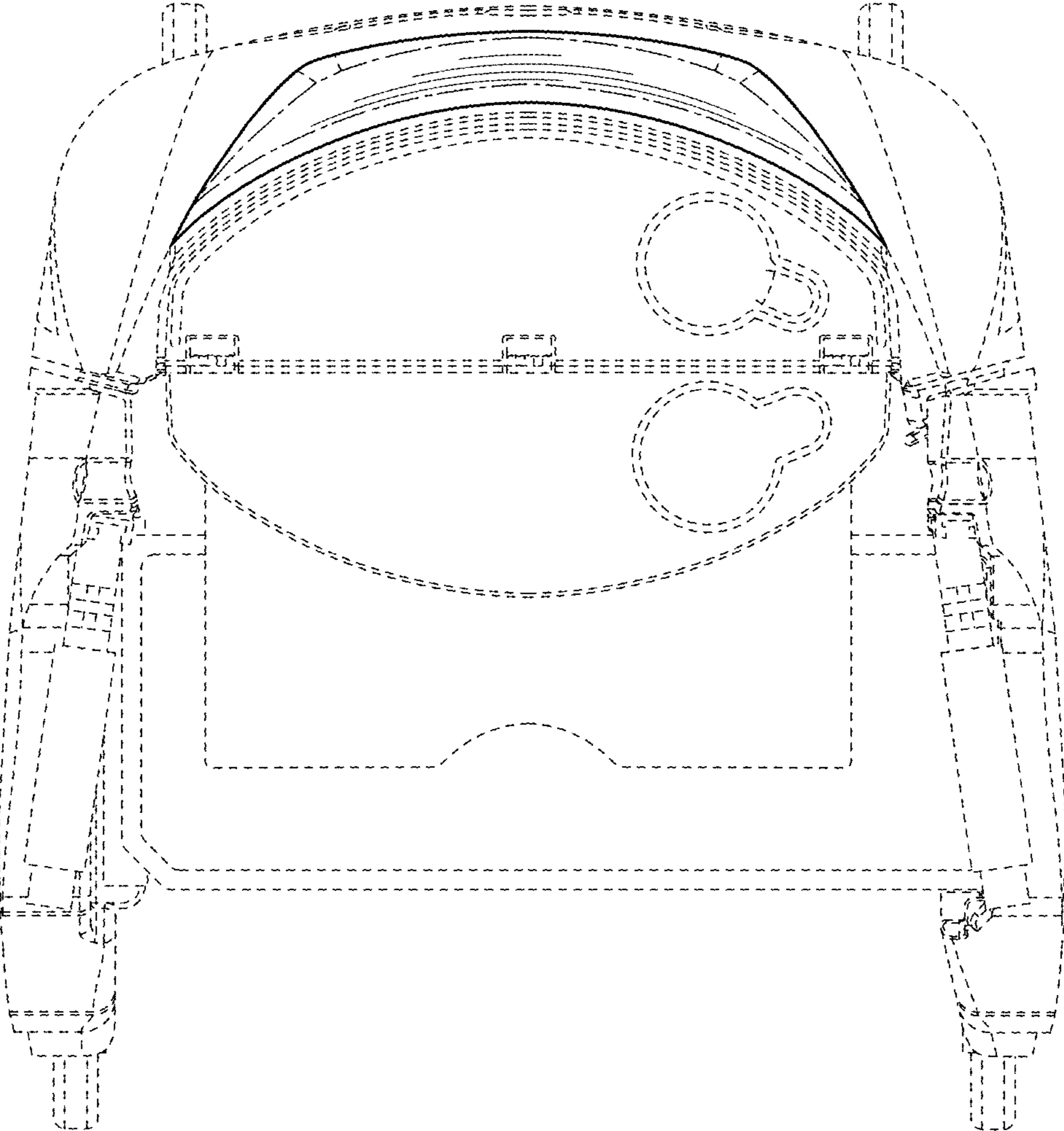


FIG. 6



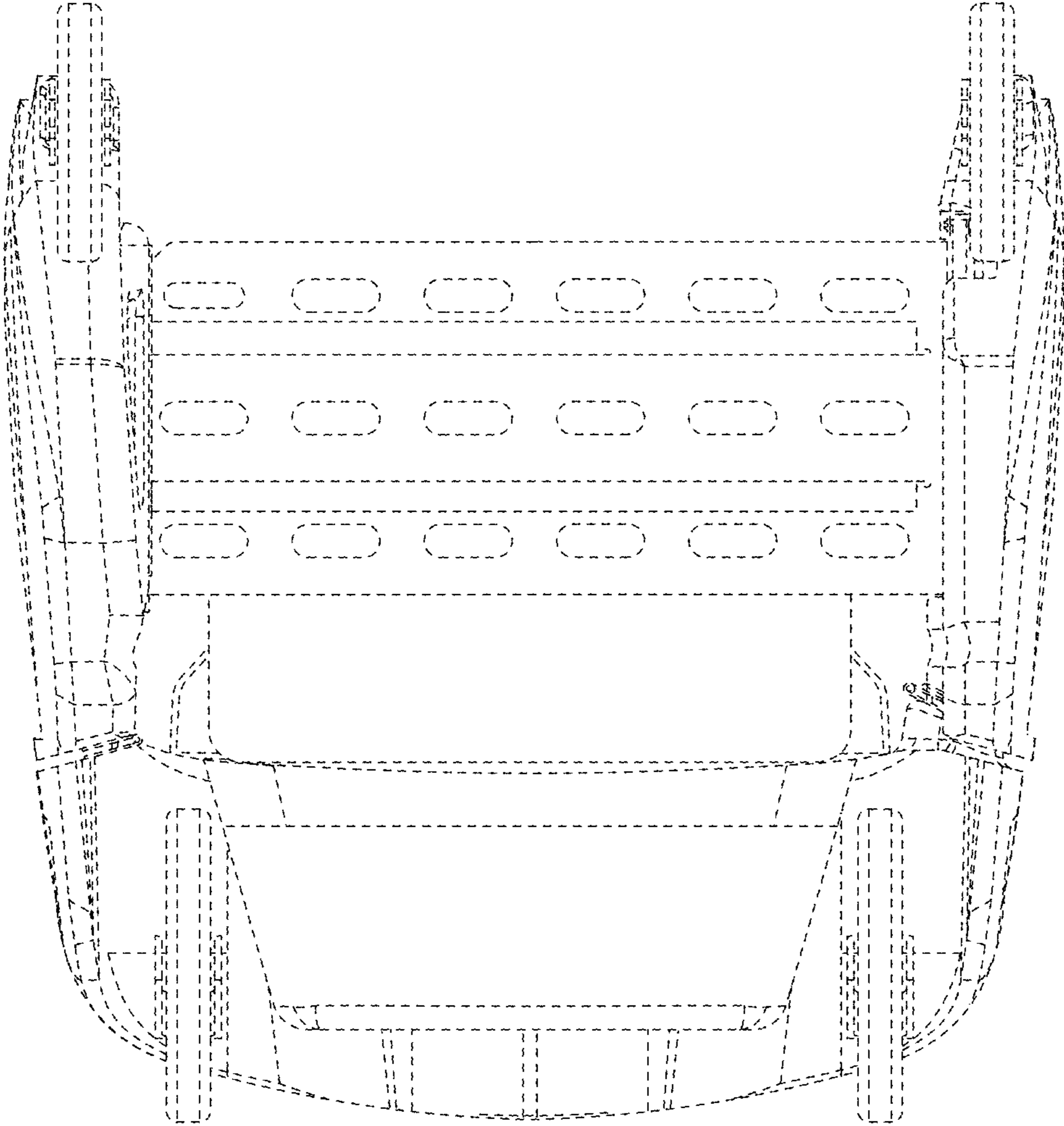


FIG. 7

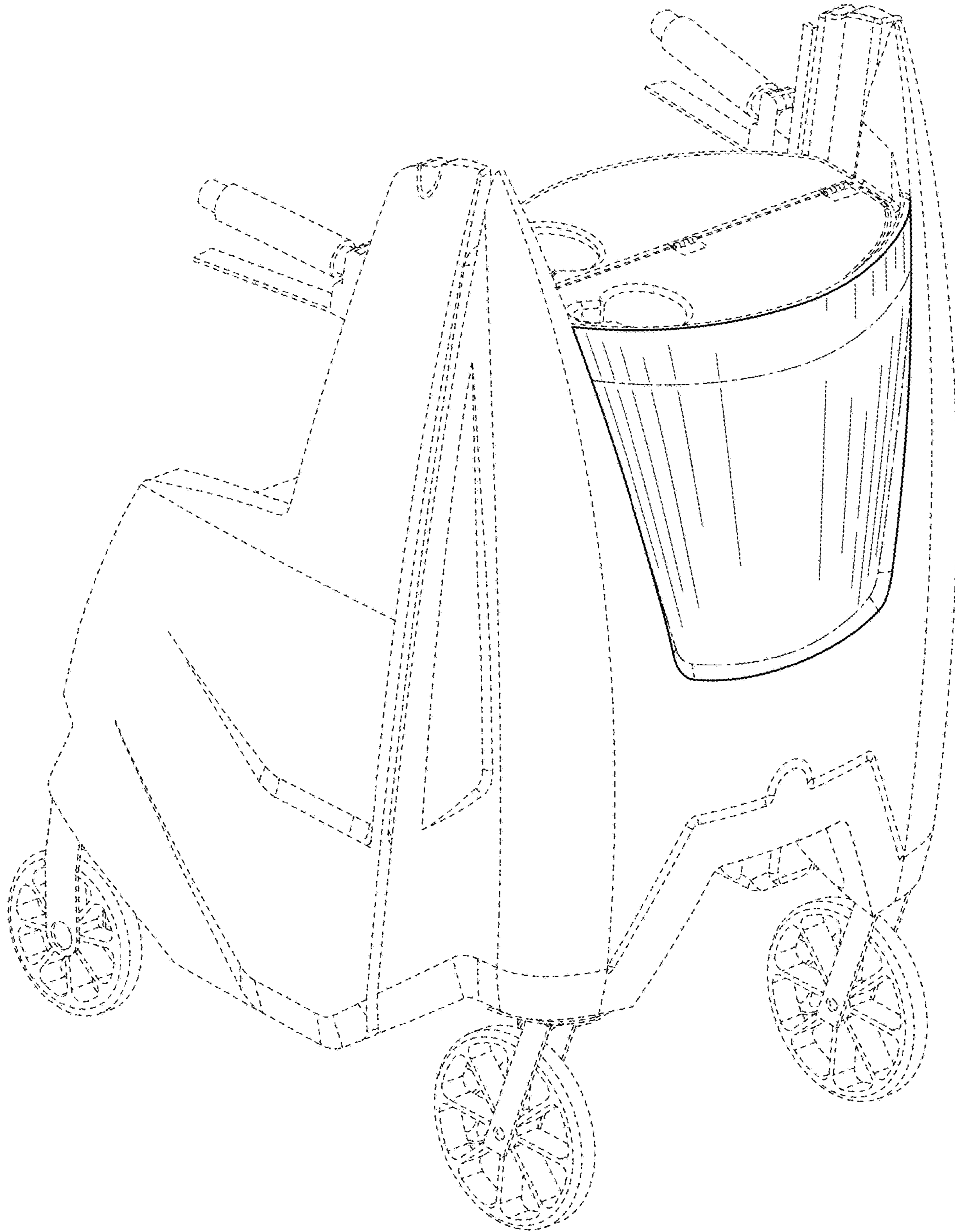


FIG. 8

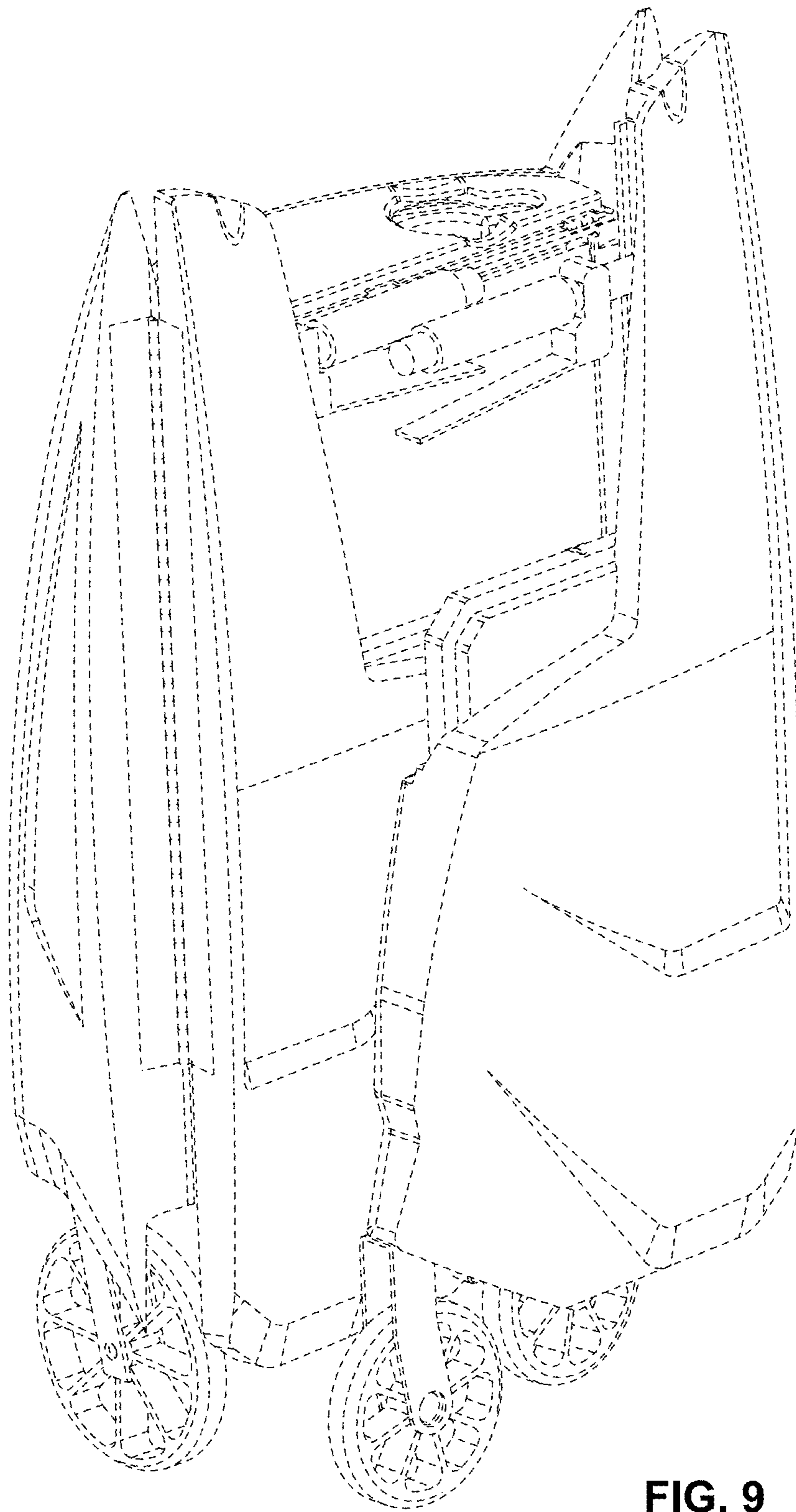


FIG. 9



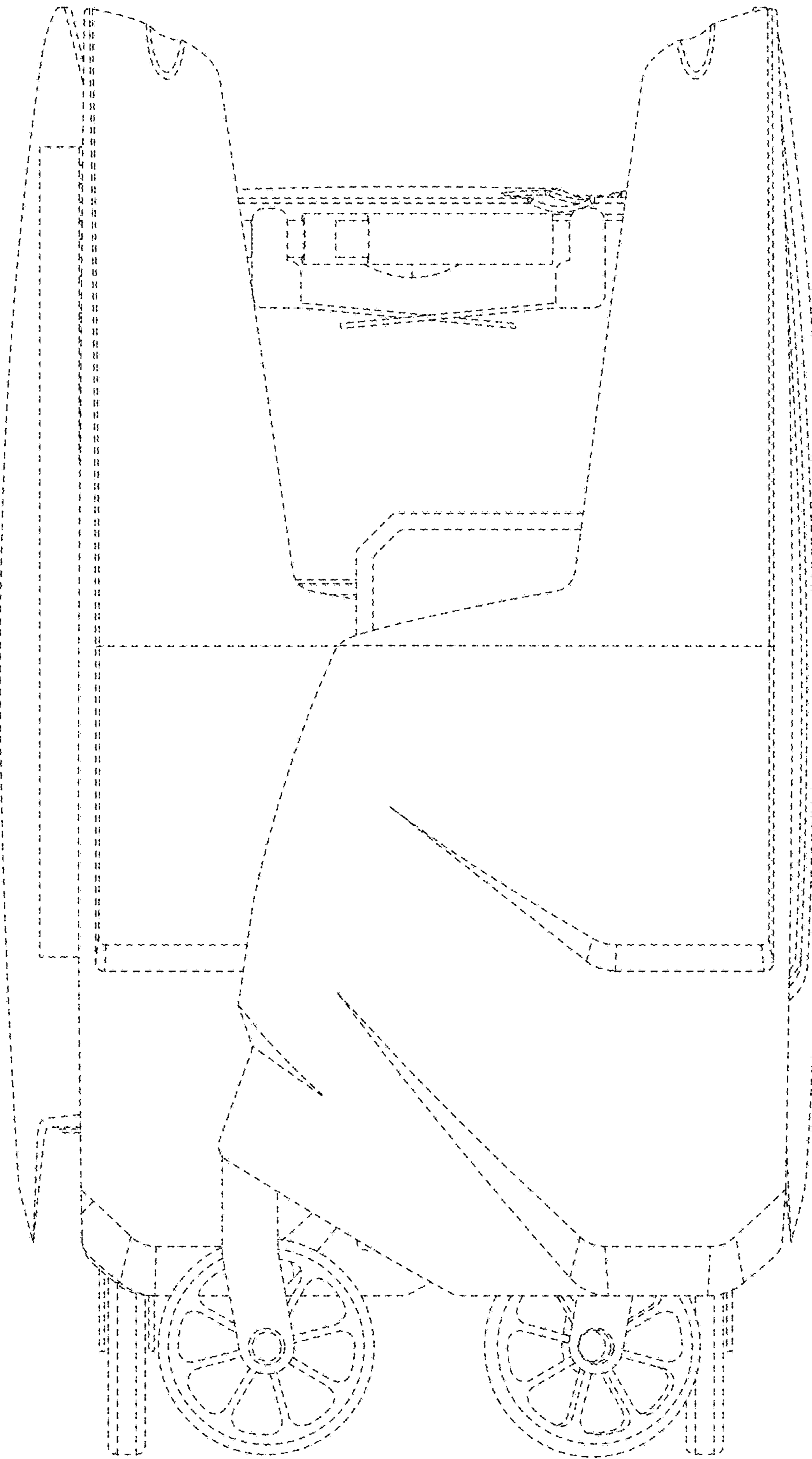


FIG. 10

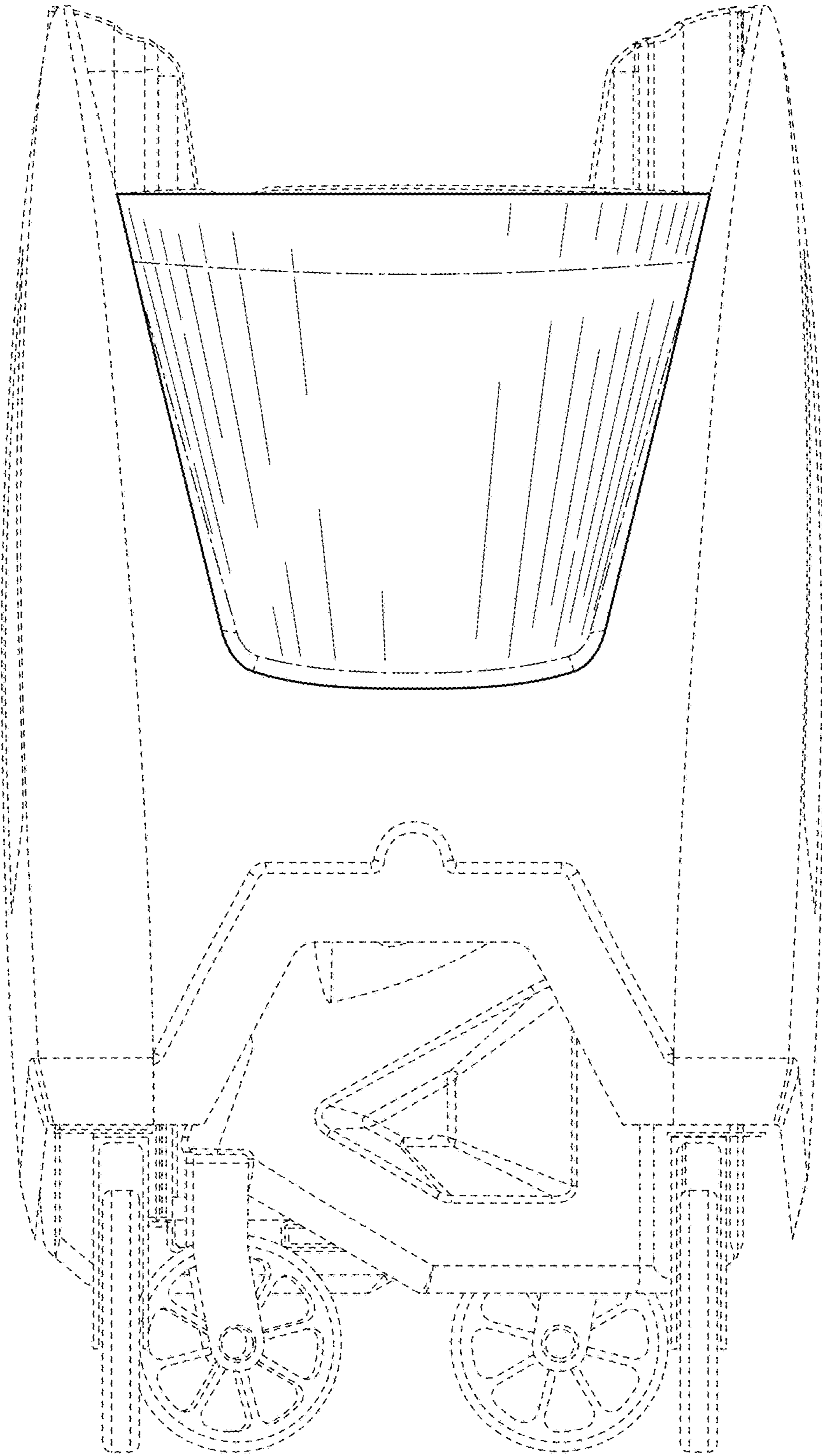


FIG. 11



FIG. 12



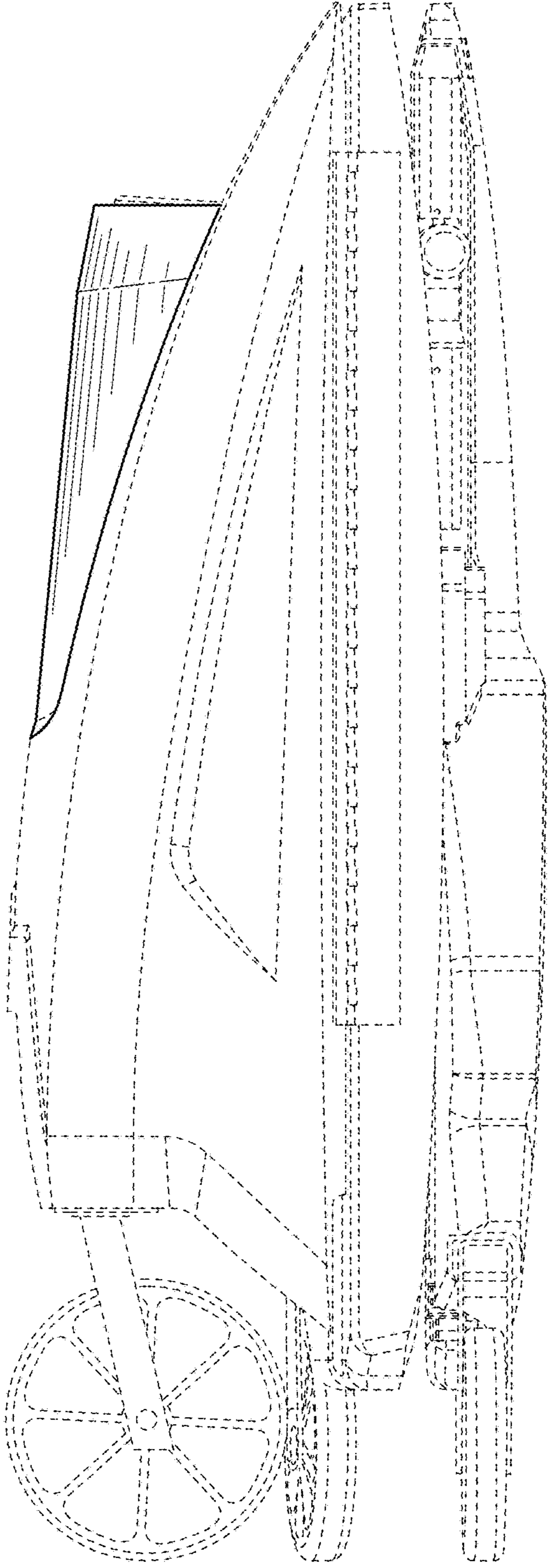


FIG. 13

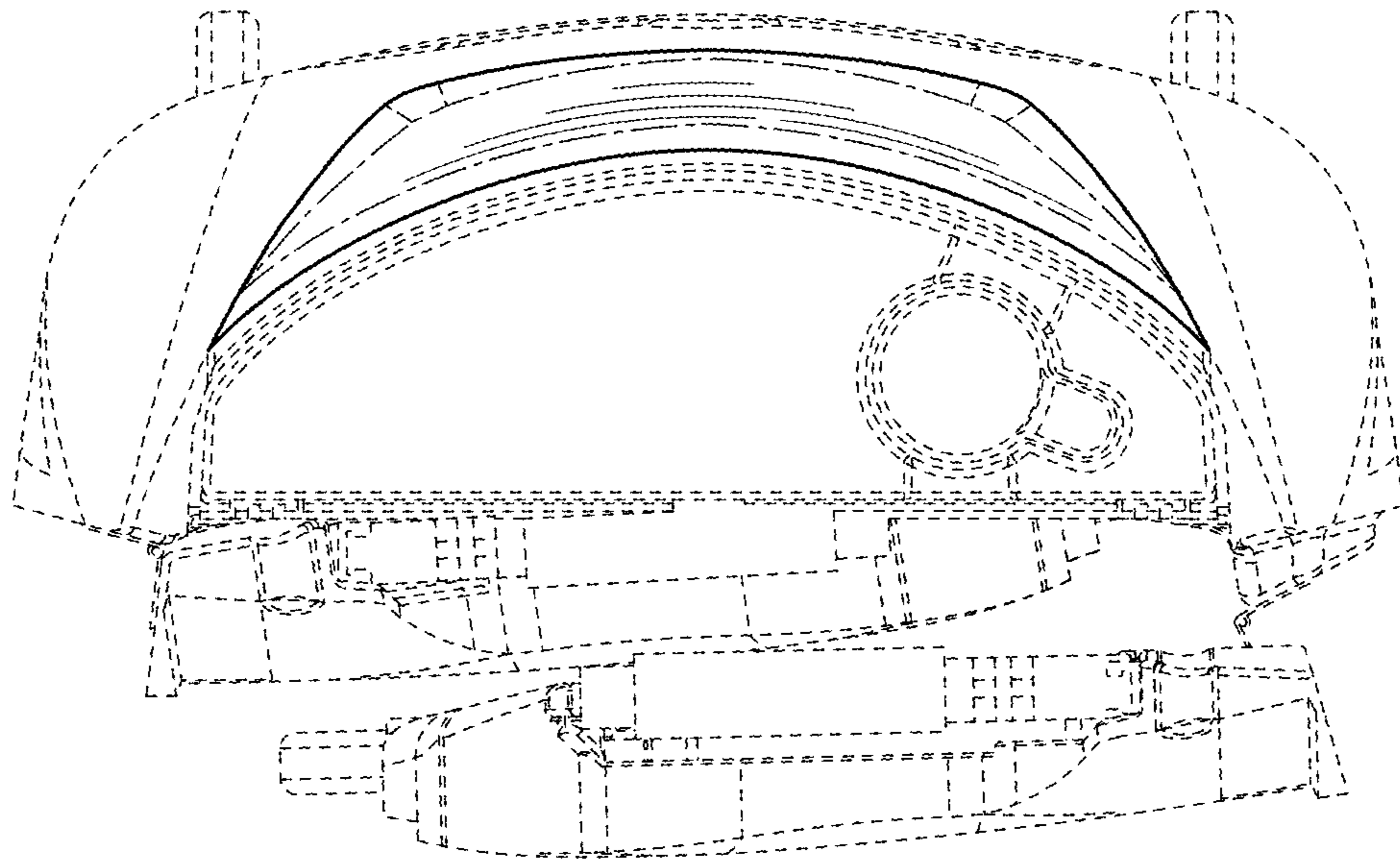


FIG. 14

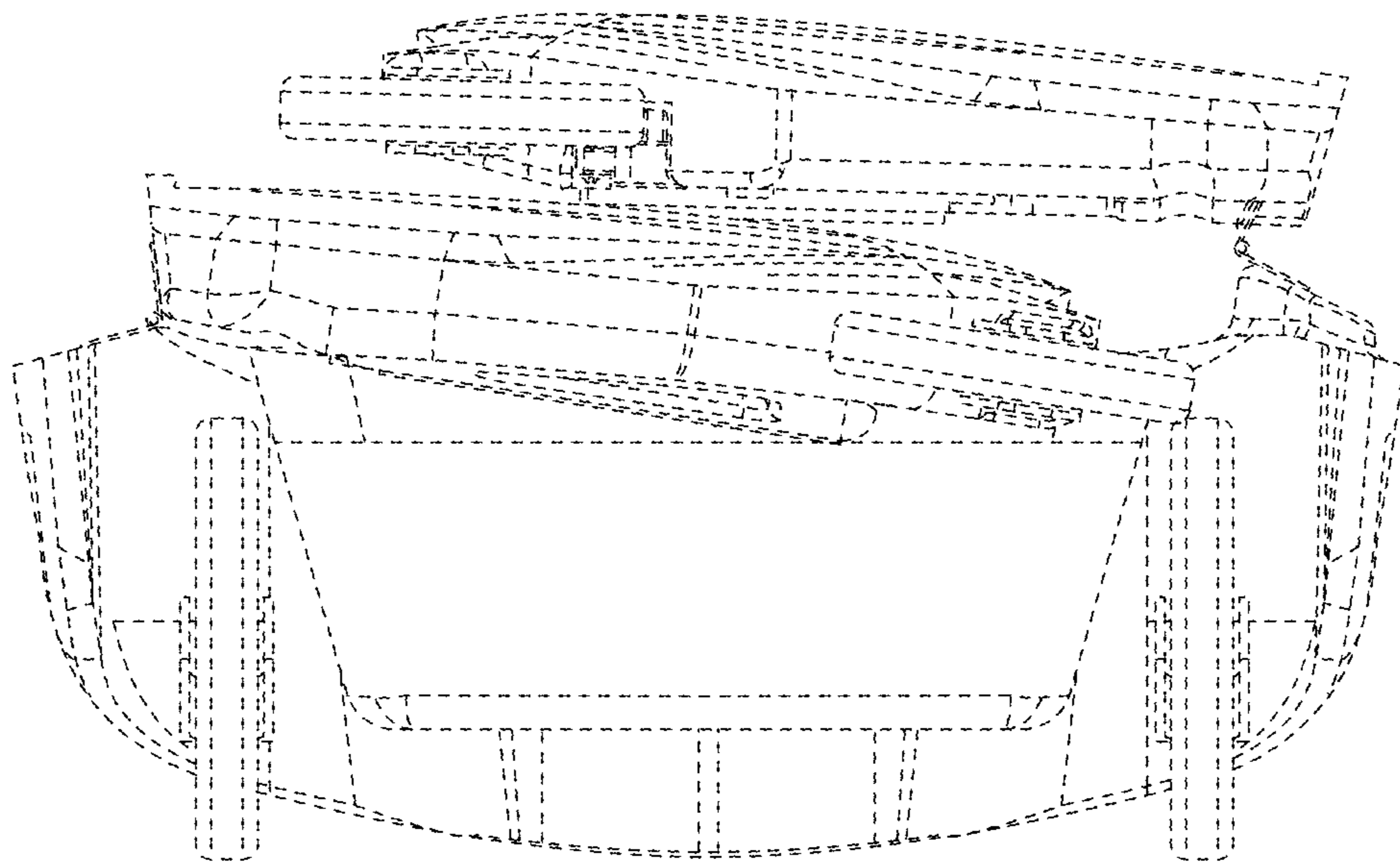


FIG. 15

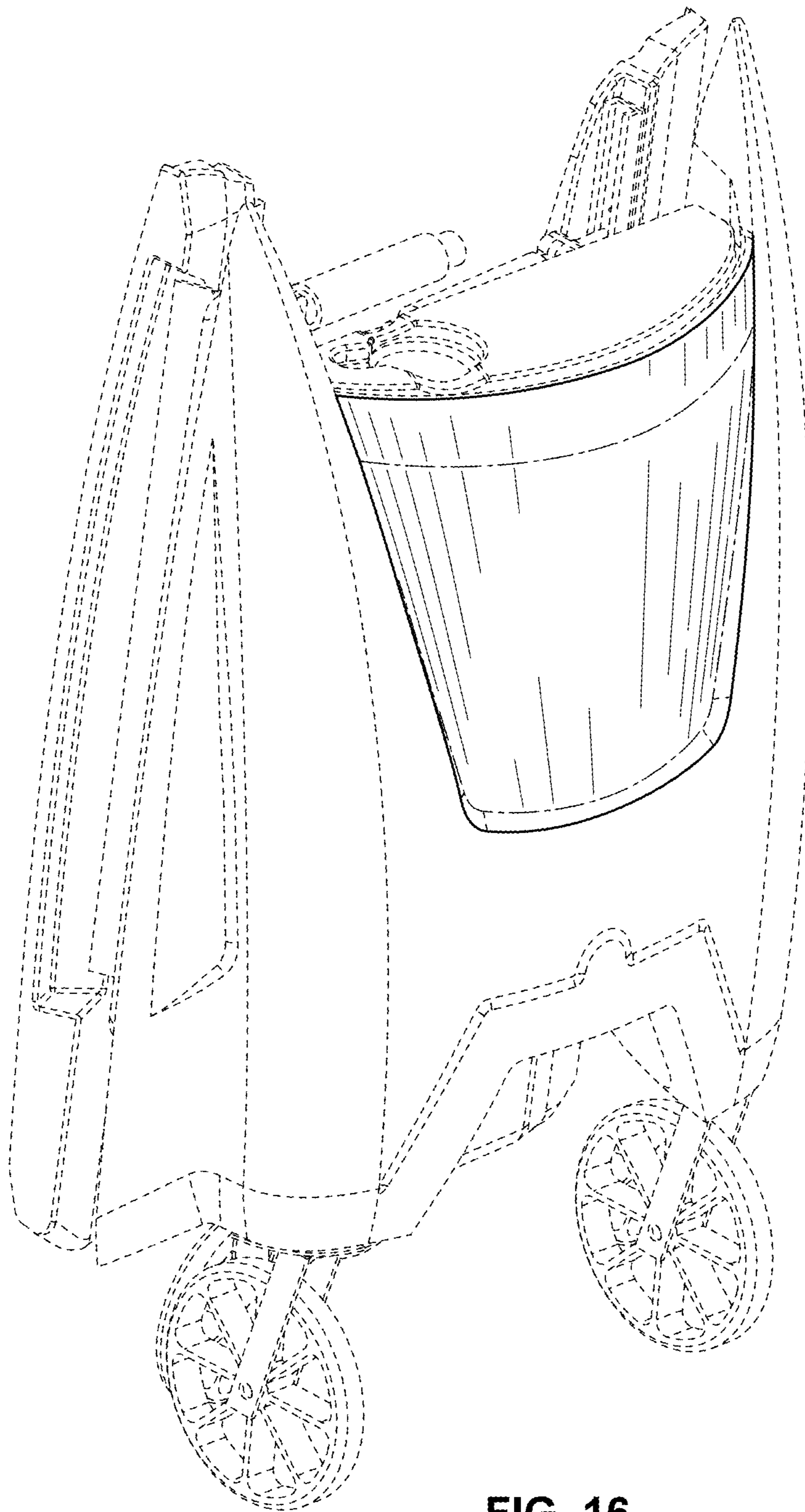


FIG. 16



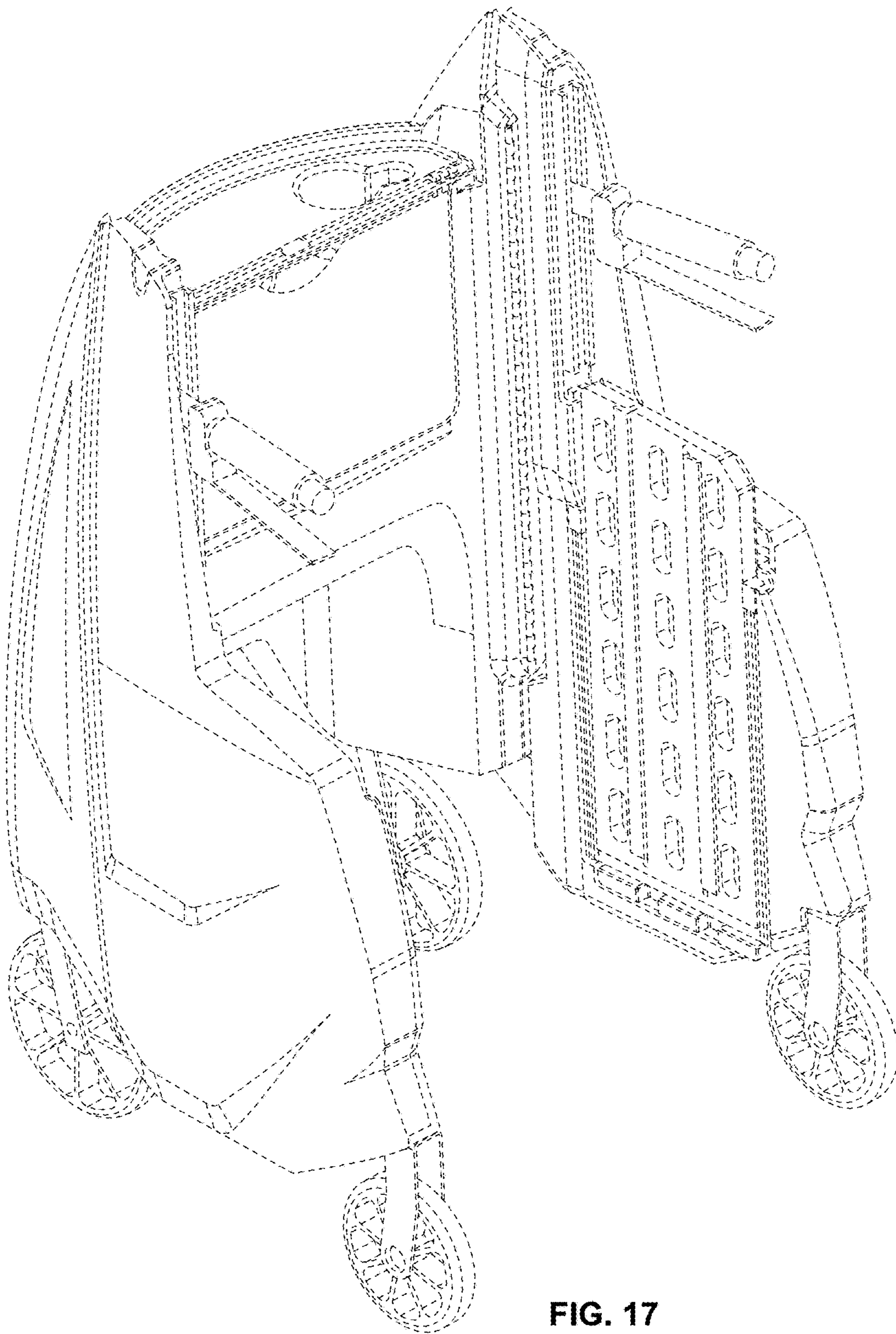


FIG. 17

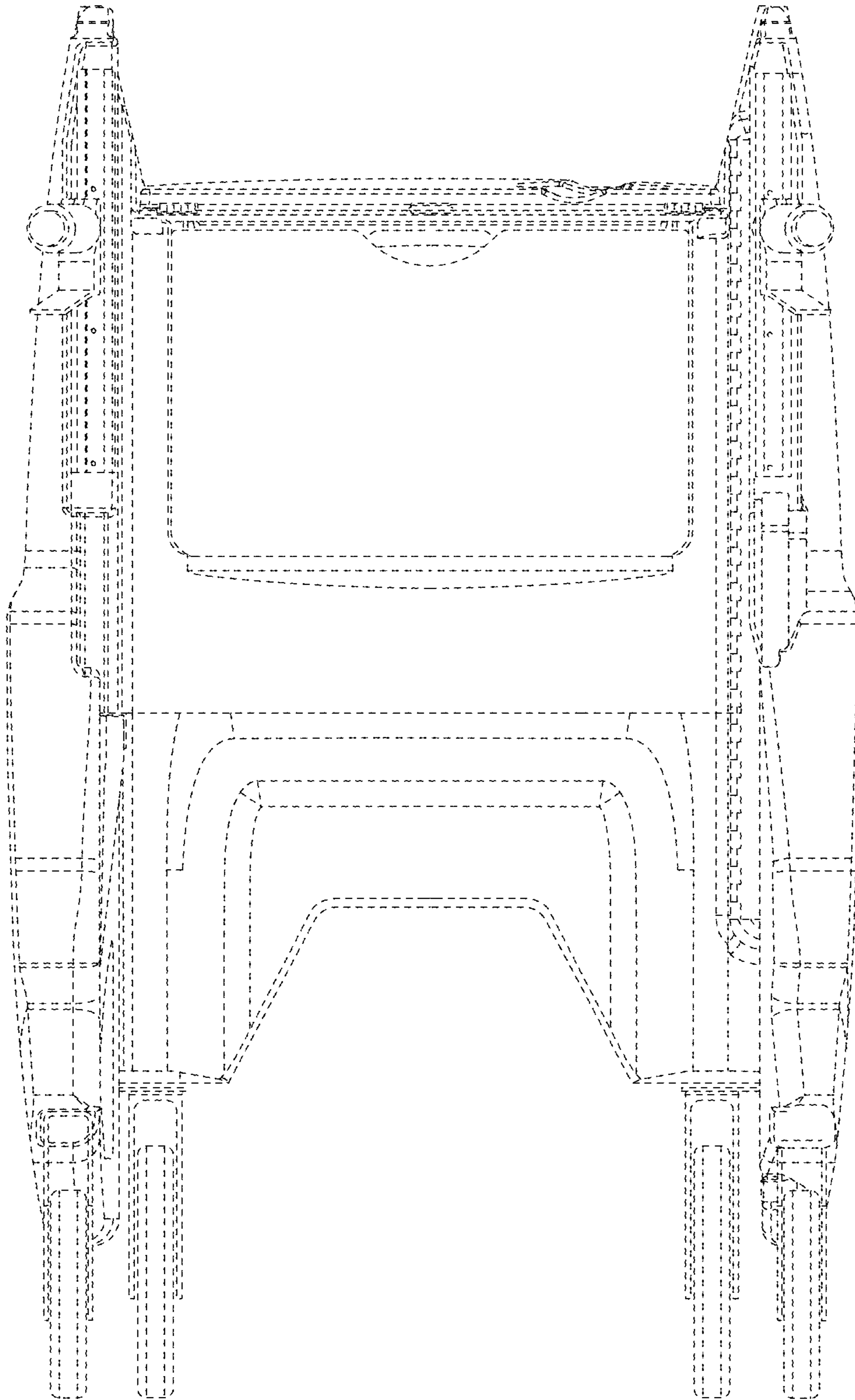


FIG. 18

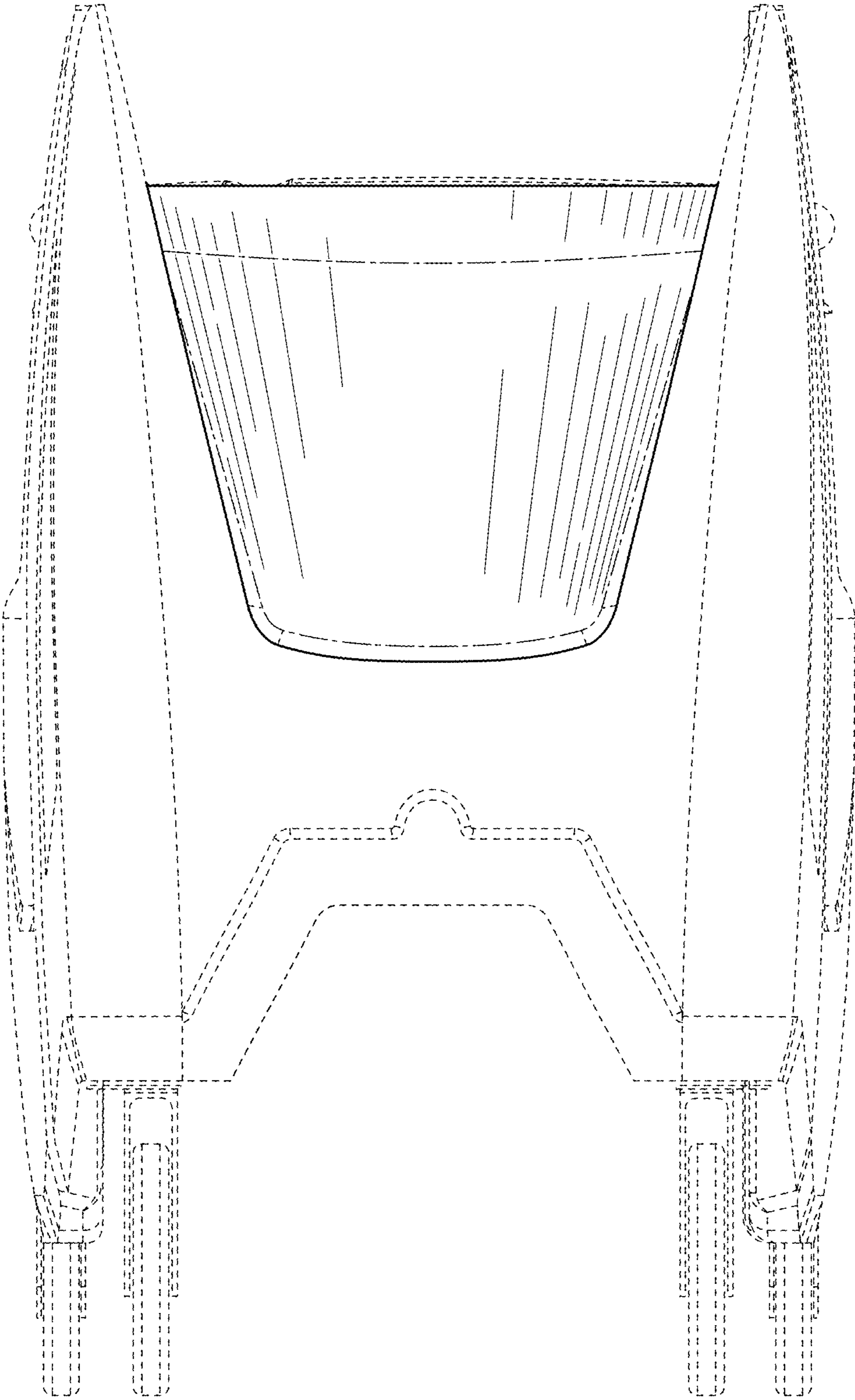


FIG. 19



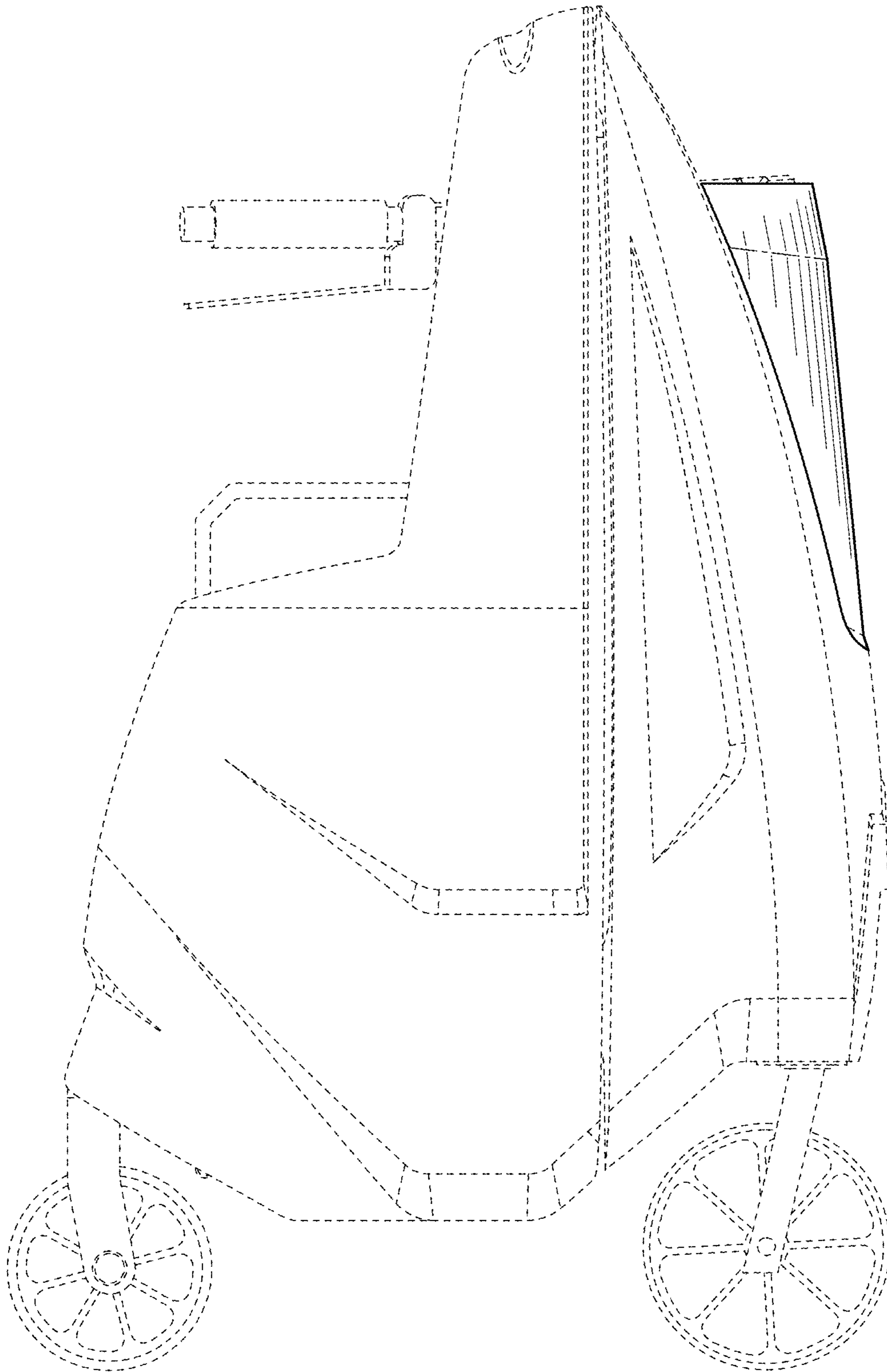


FIG. 20

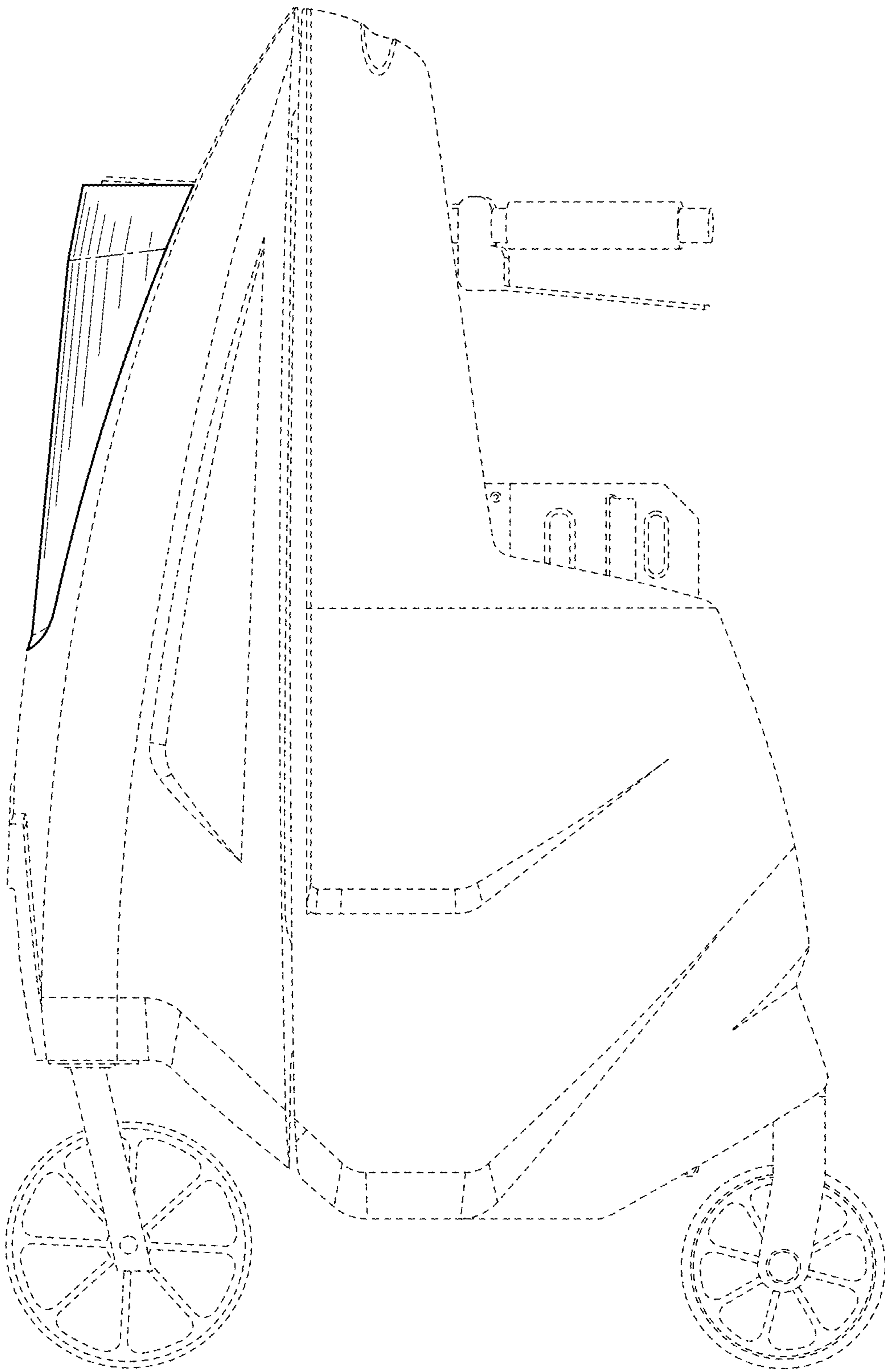


FIG. 21

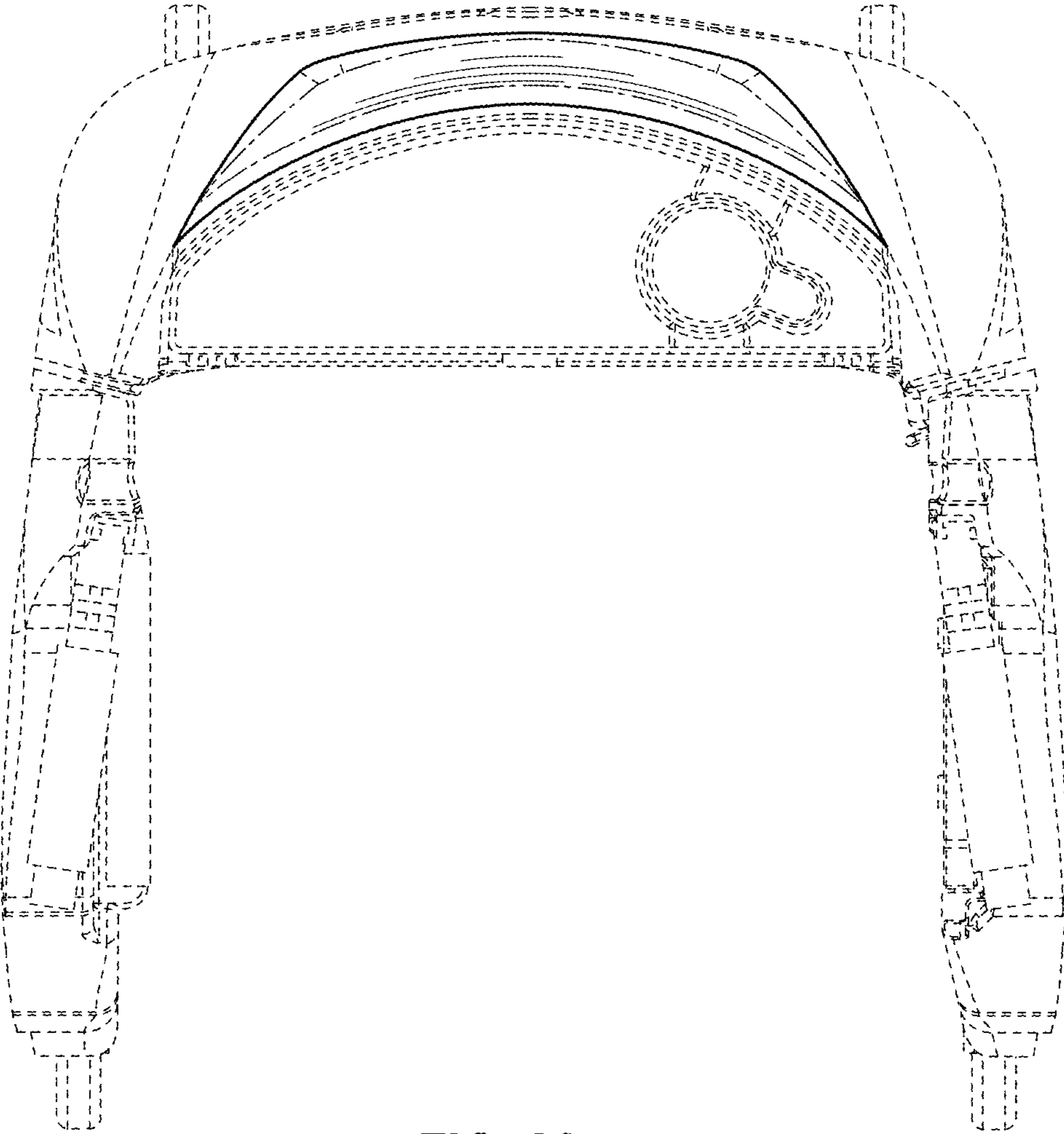


FIG. 22

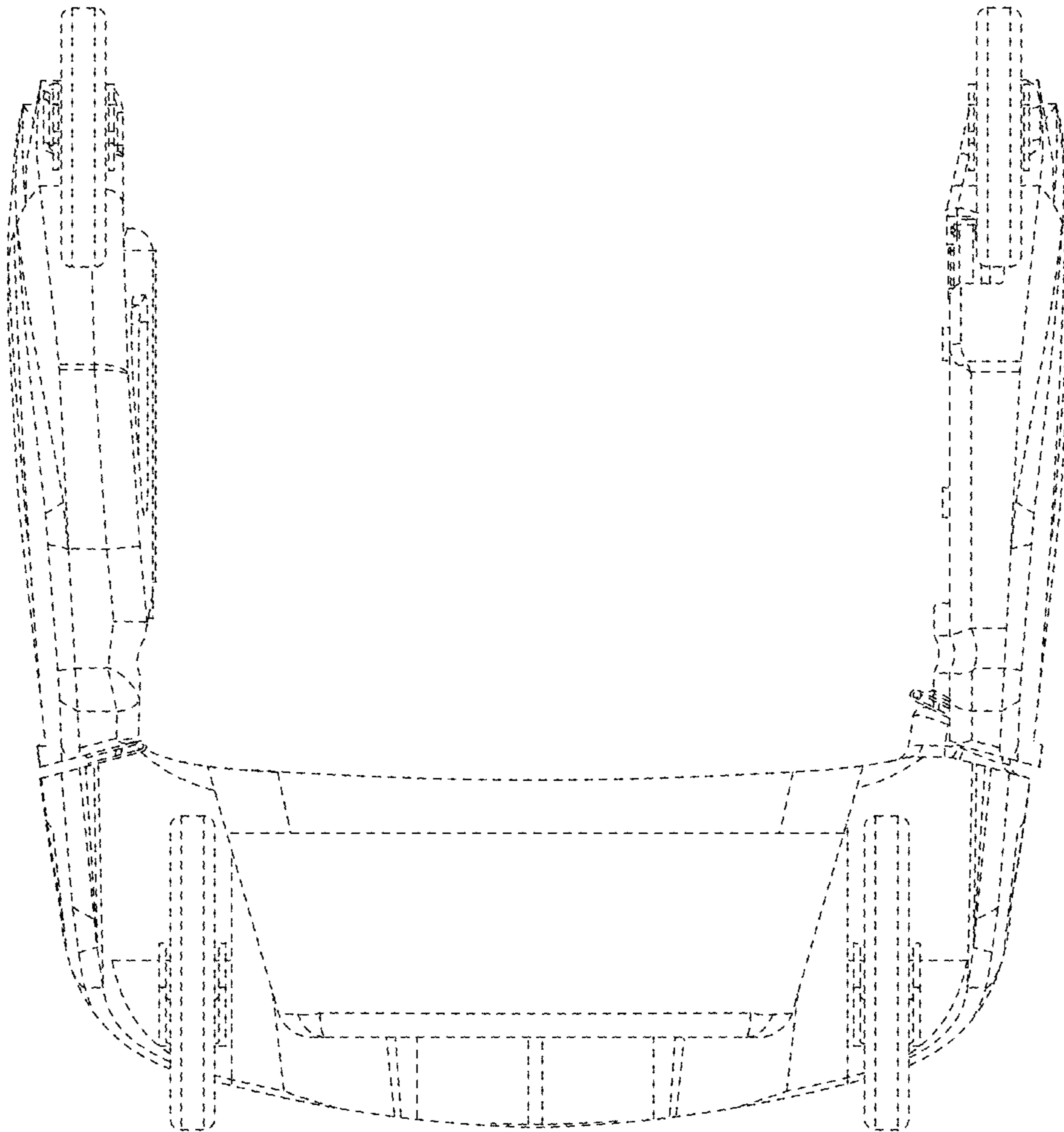


FIG. 23



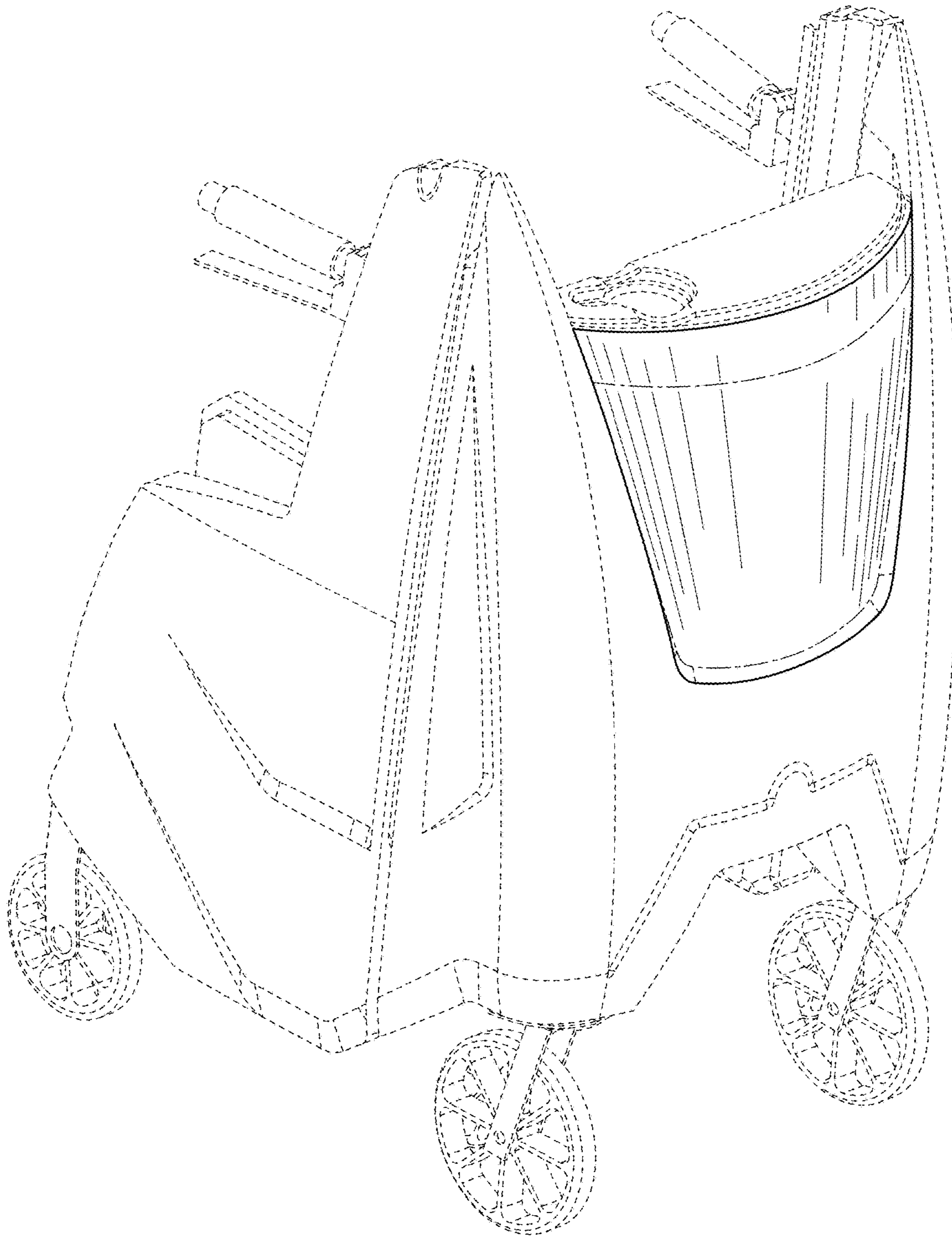


FIG. 24

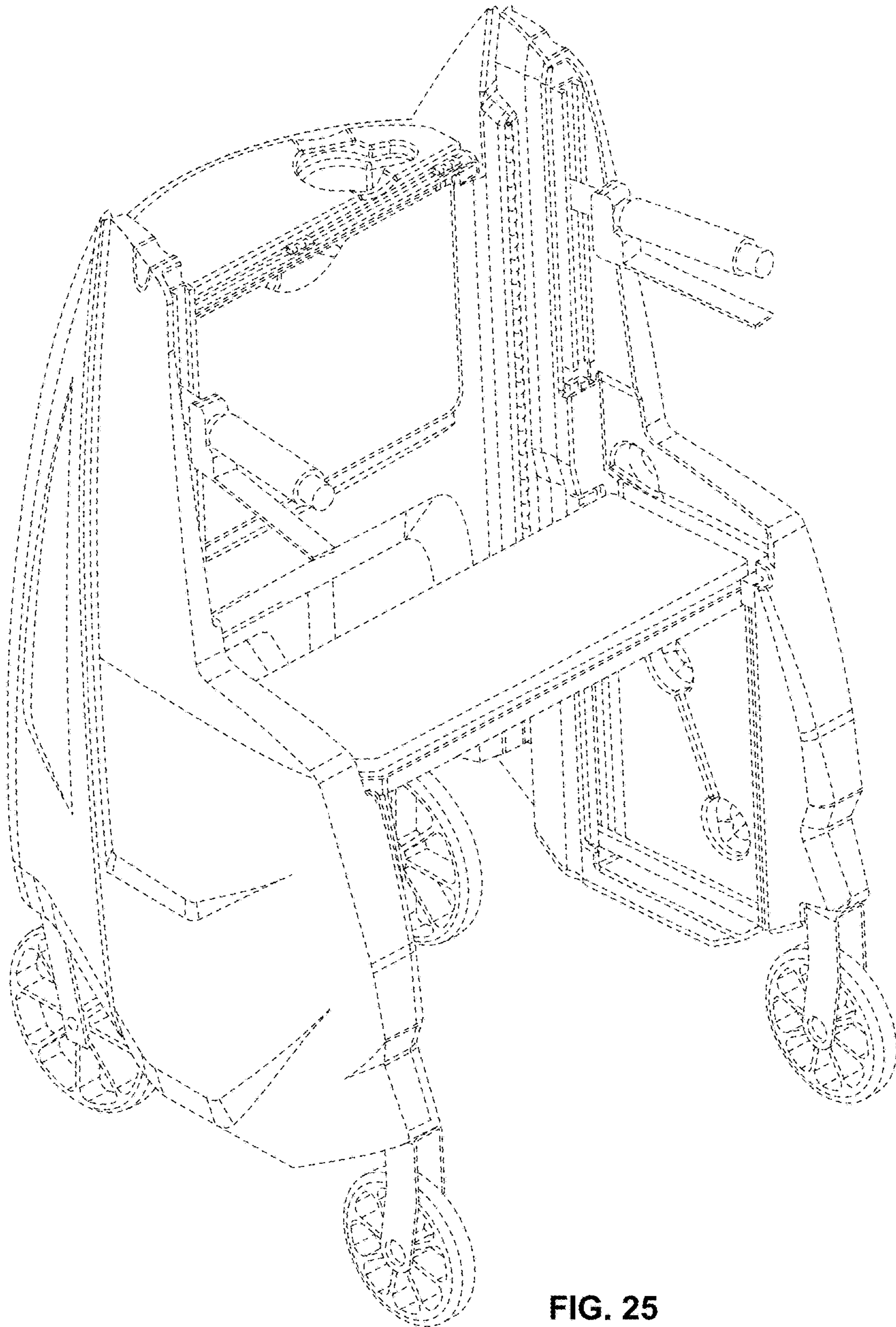


FIG. 25

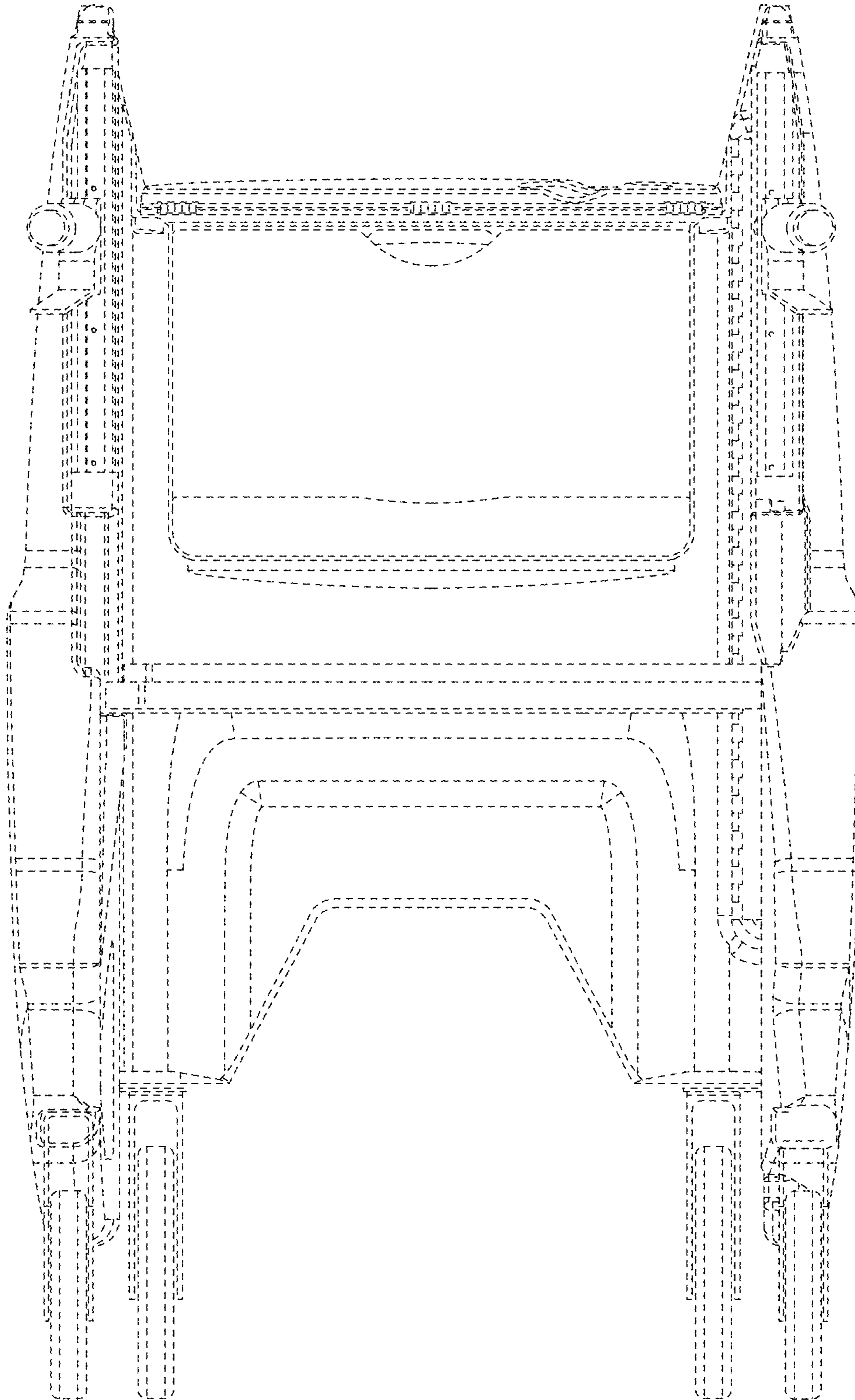


FIG. 26

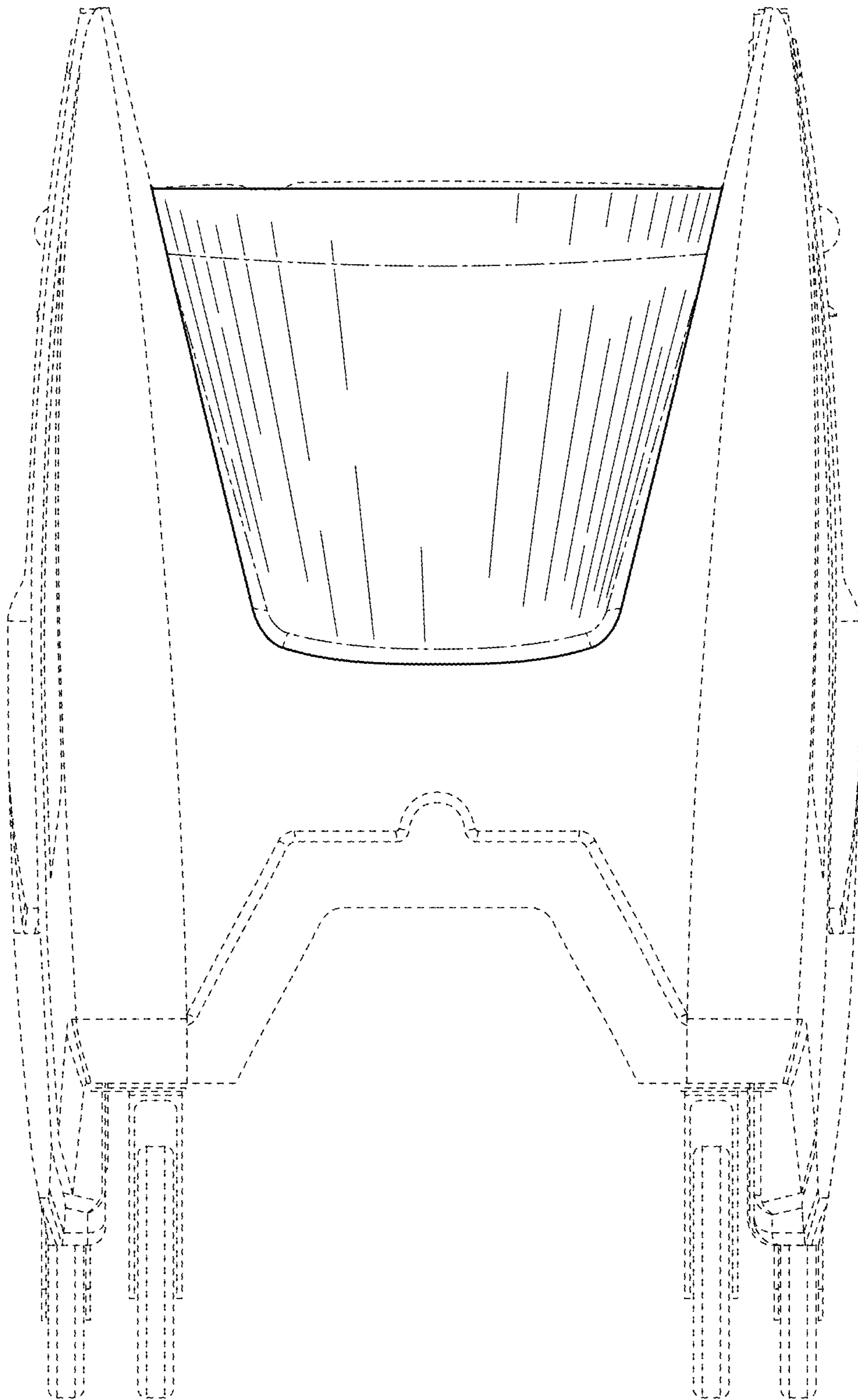


FIG. 27



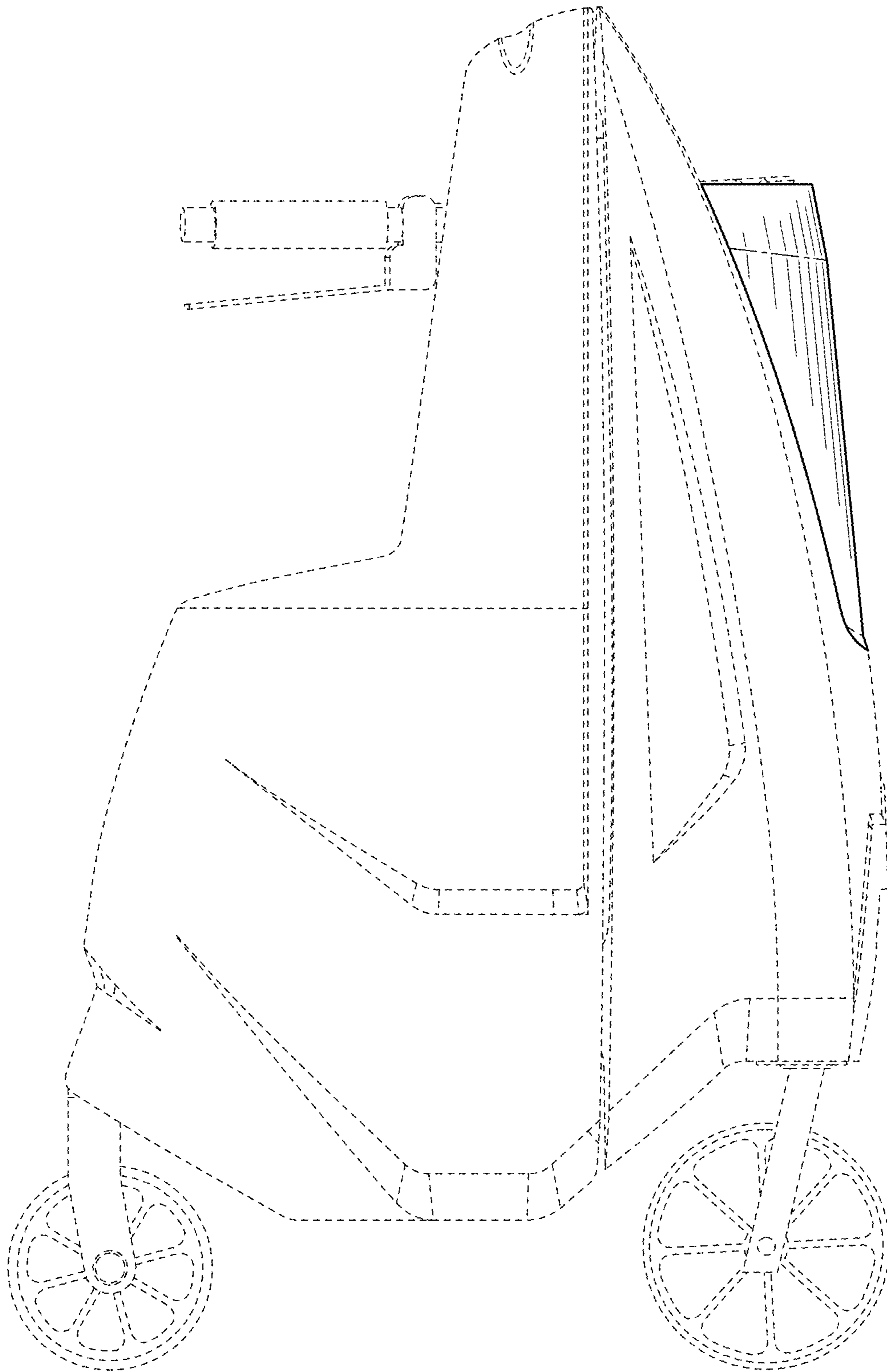


FIG. 28

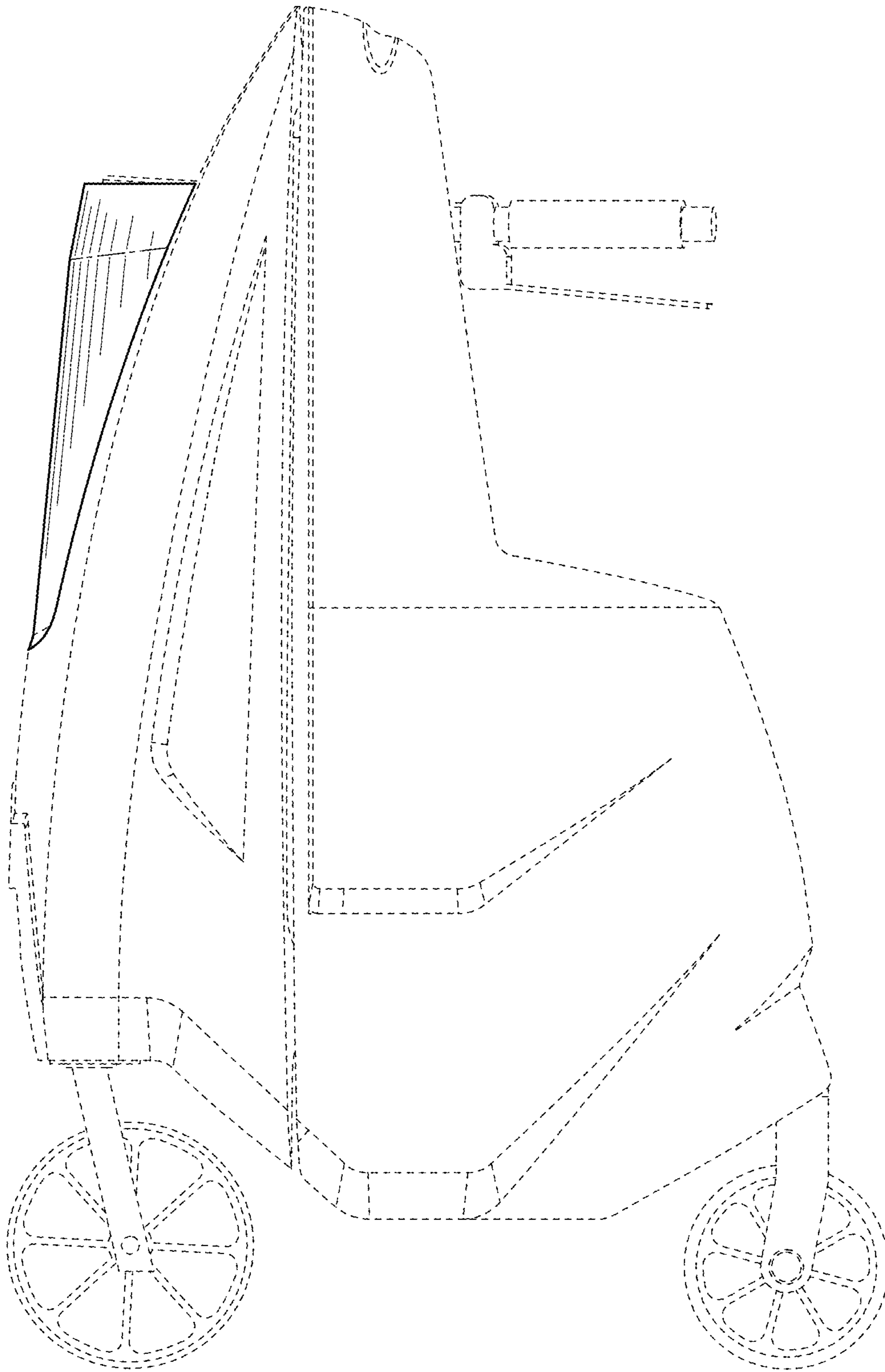


FIG. 29

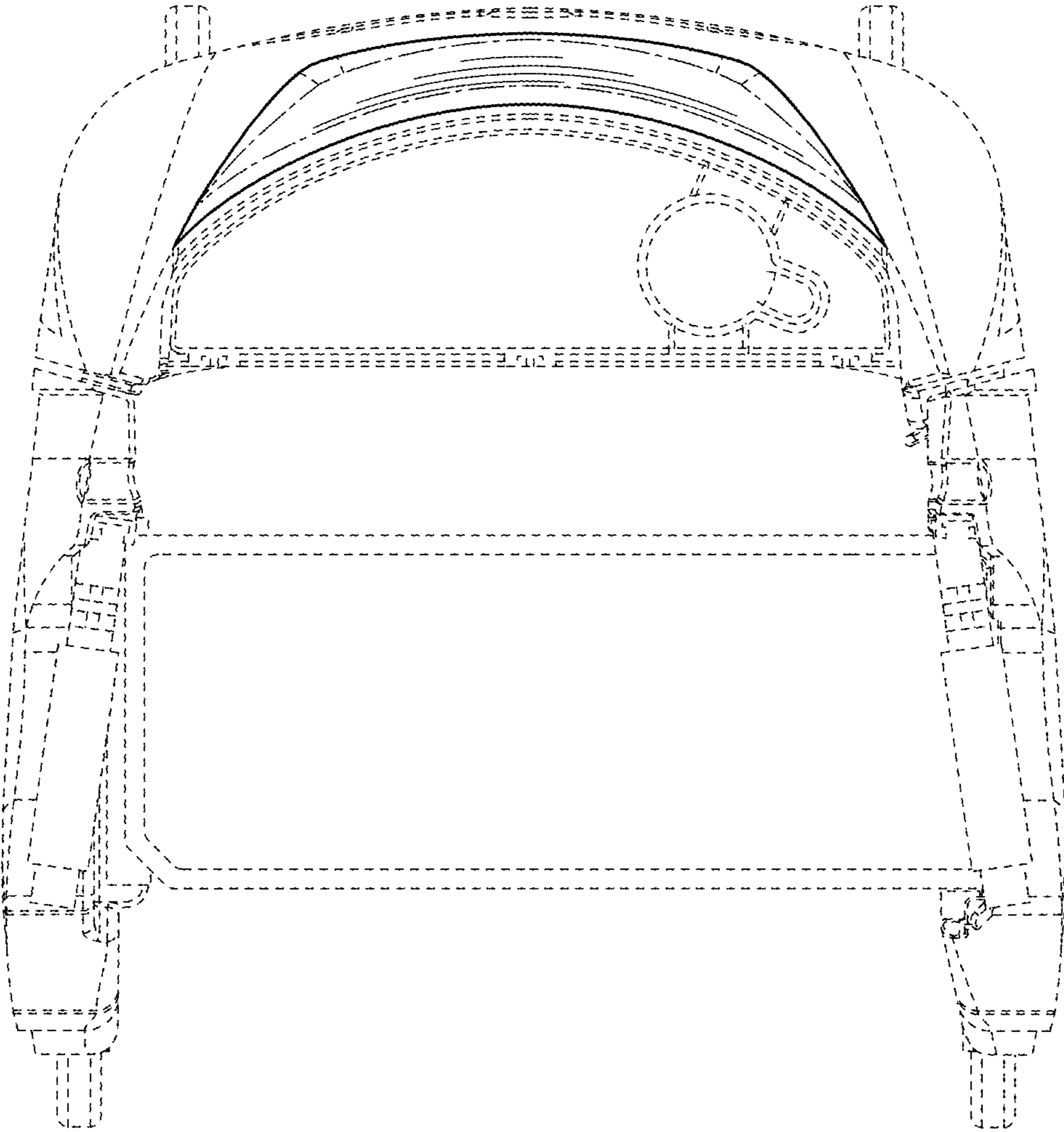


FIG. 30

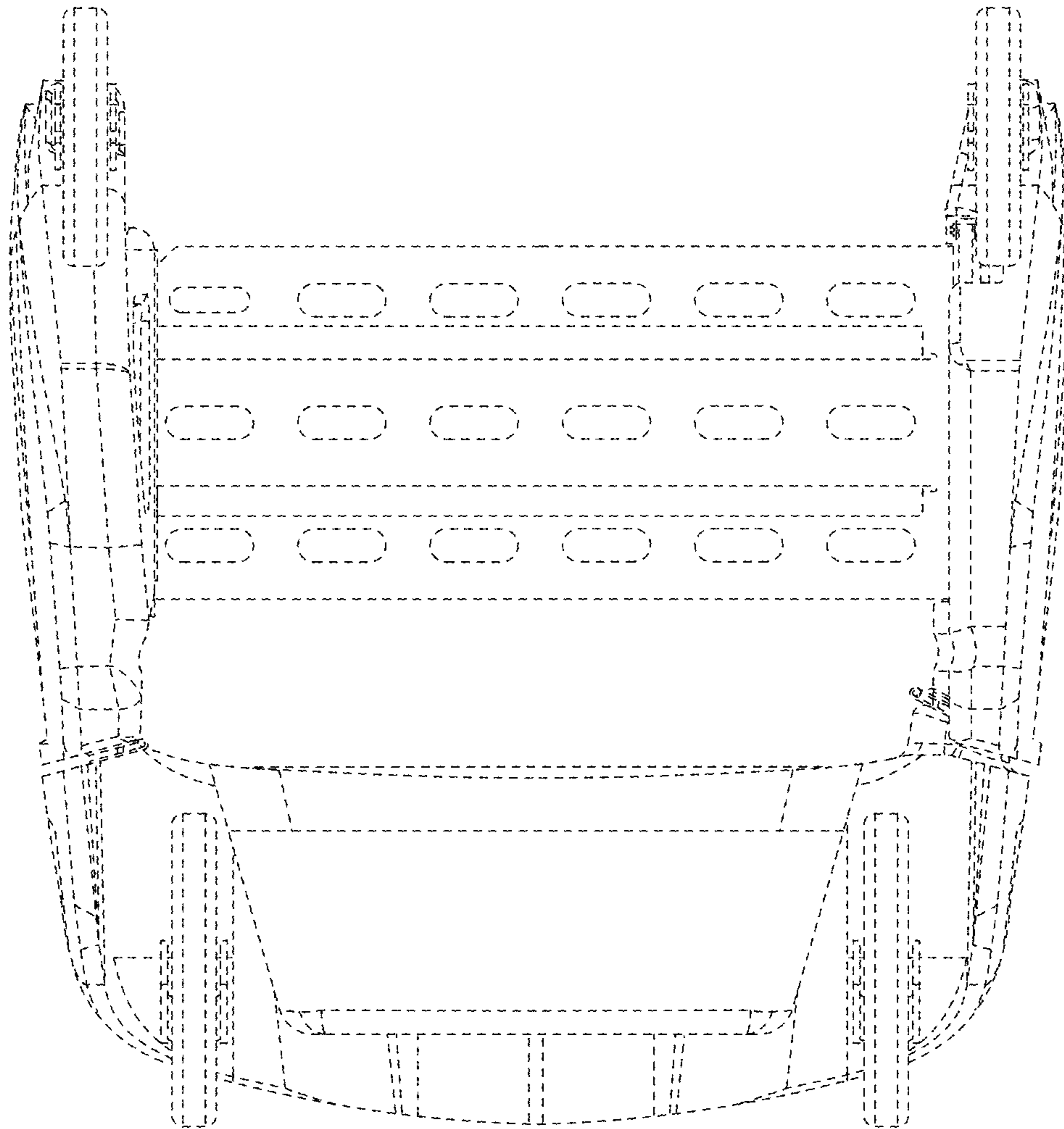


FIG. 31



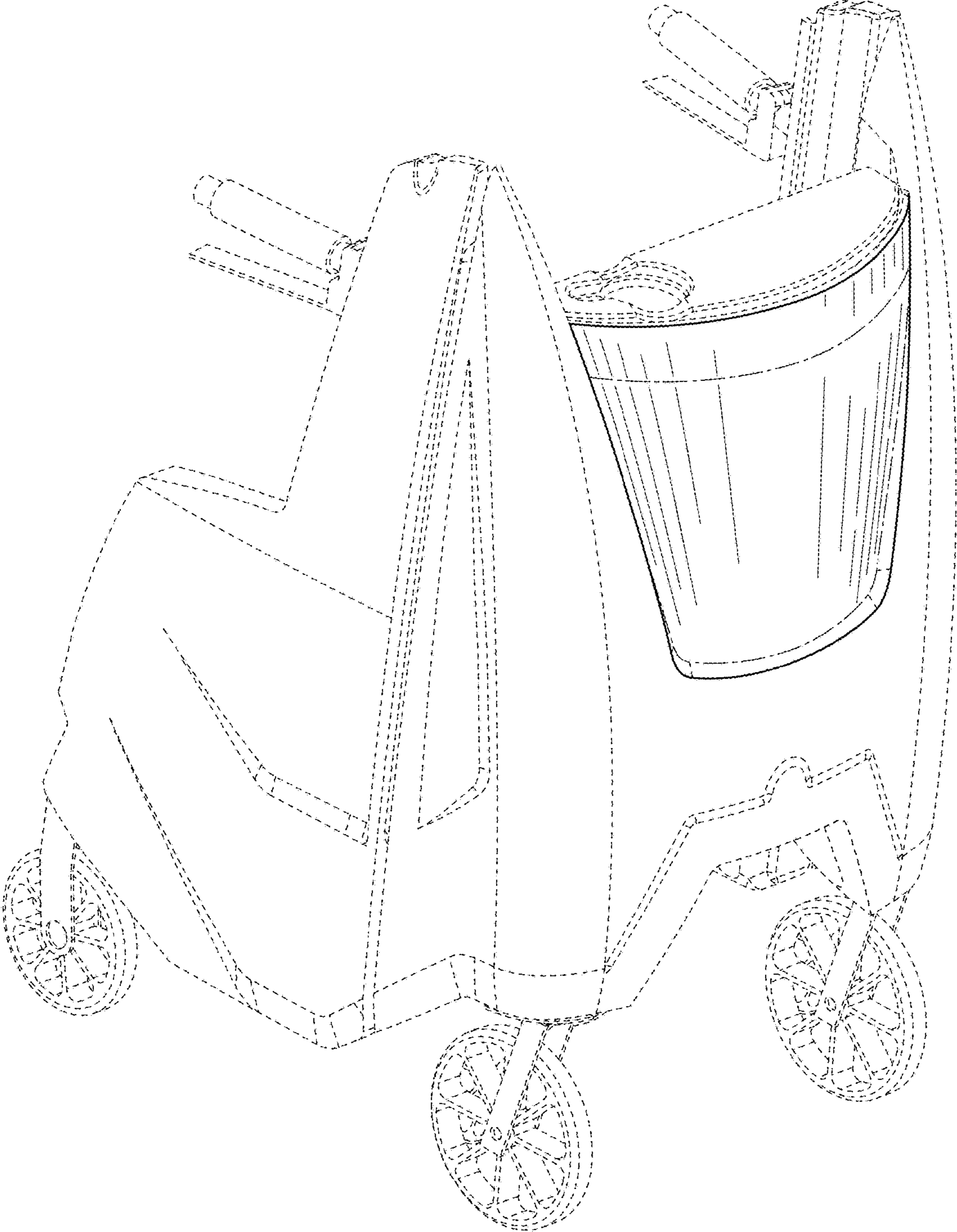


FIG. 32

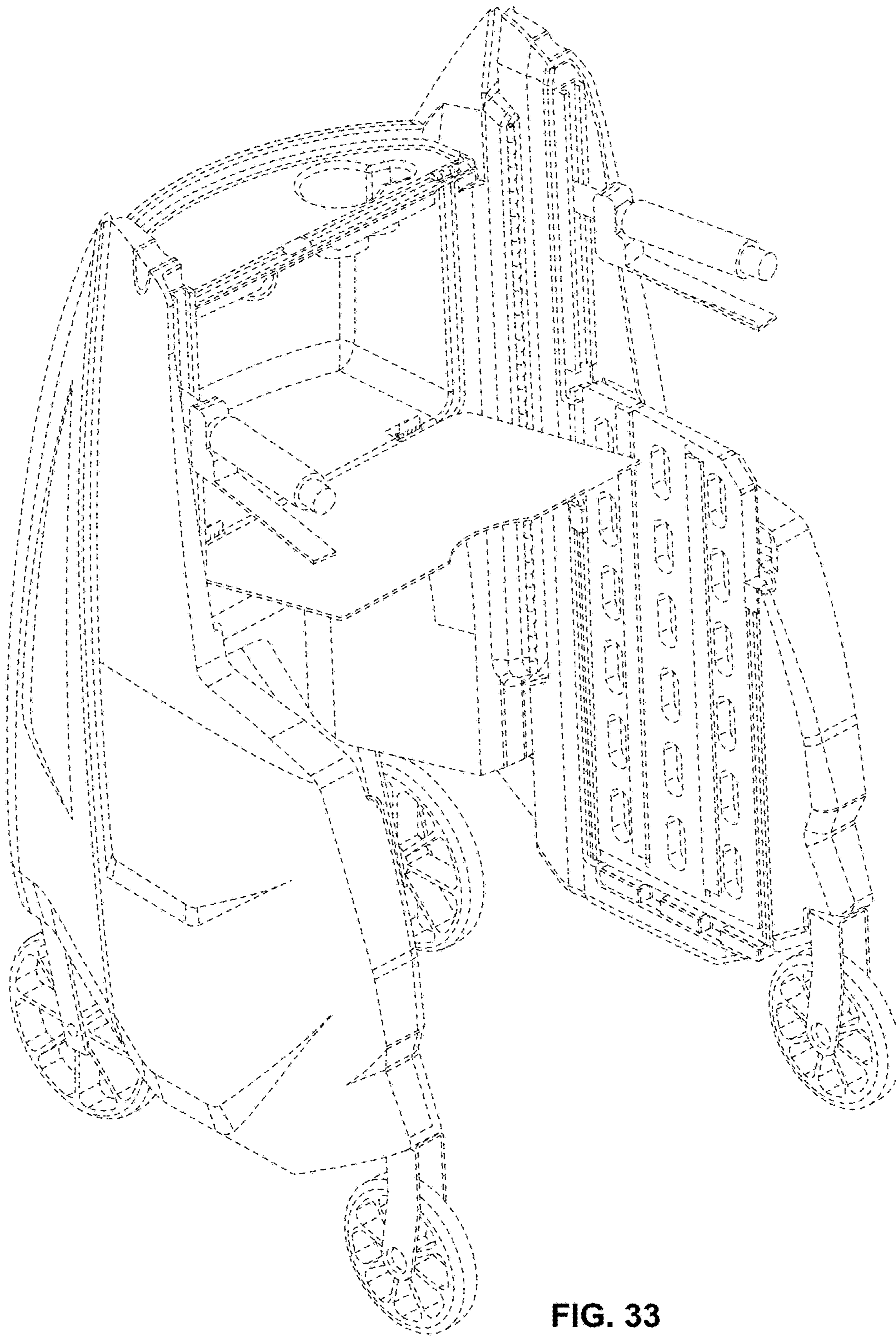


FIG. 33

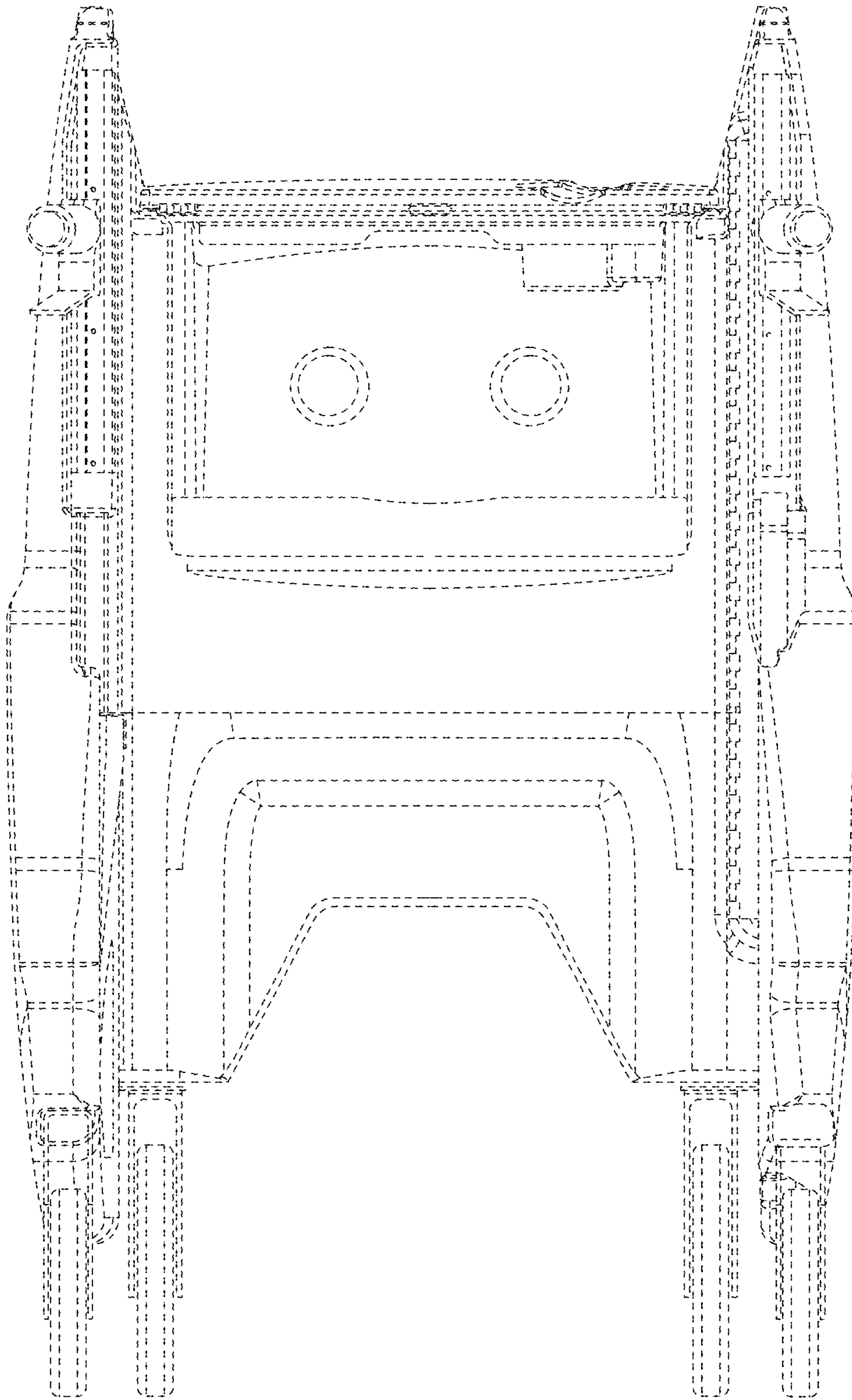


FIG. 34



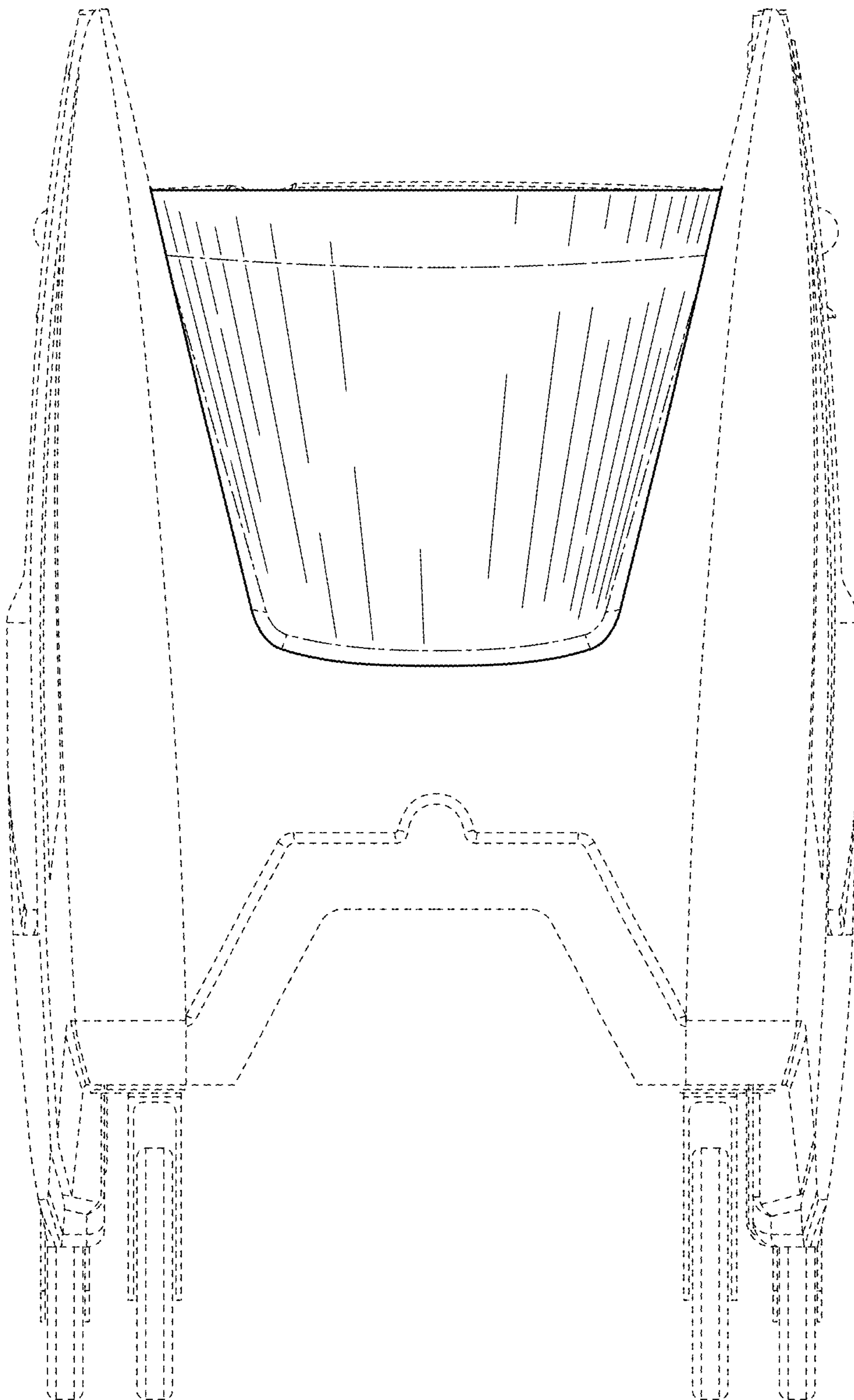


FIG. 35



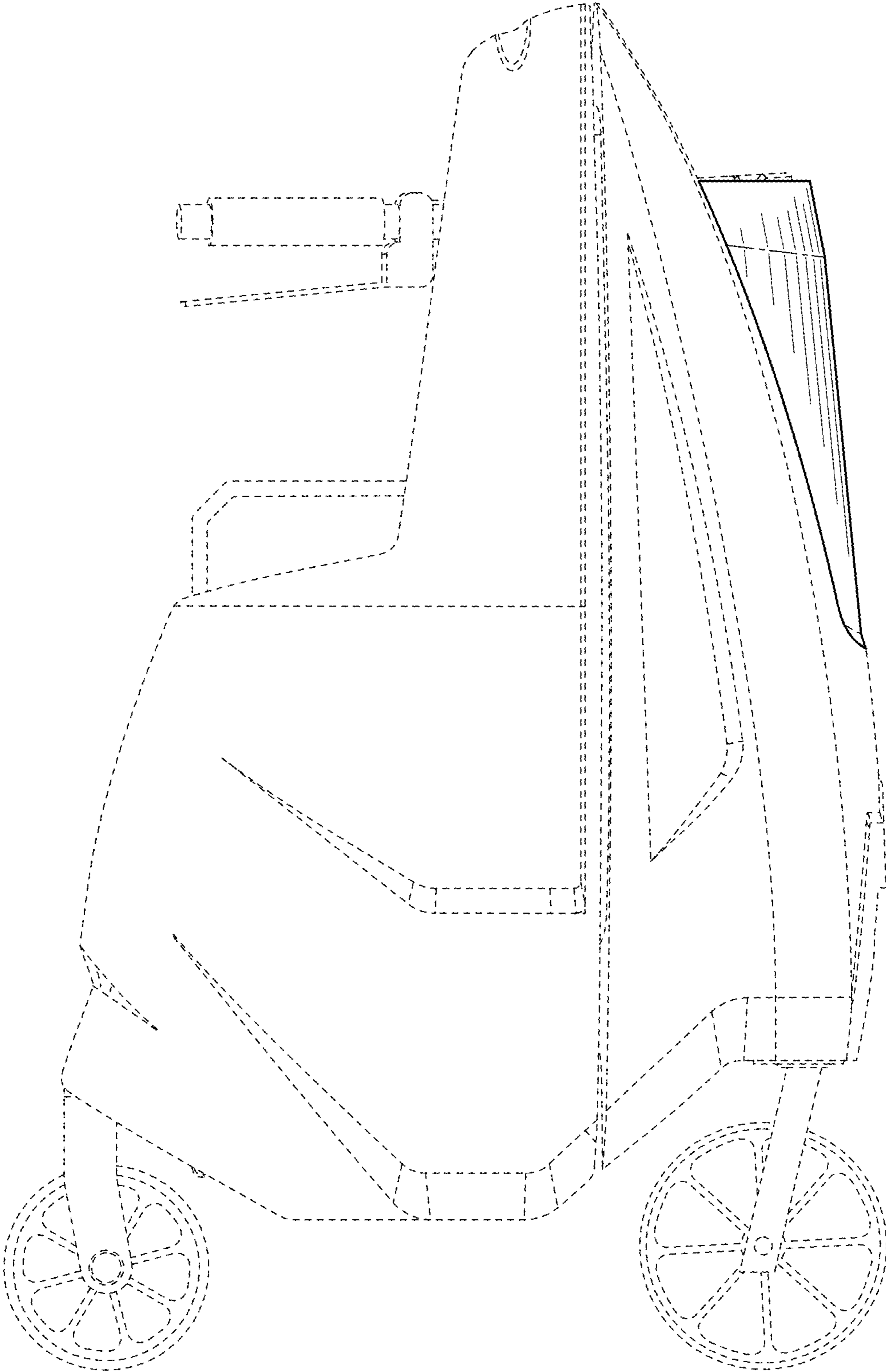


FIG. 36

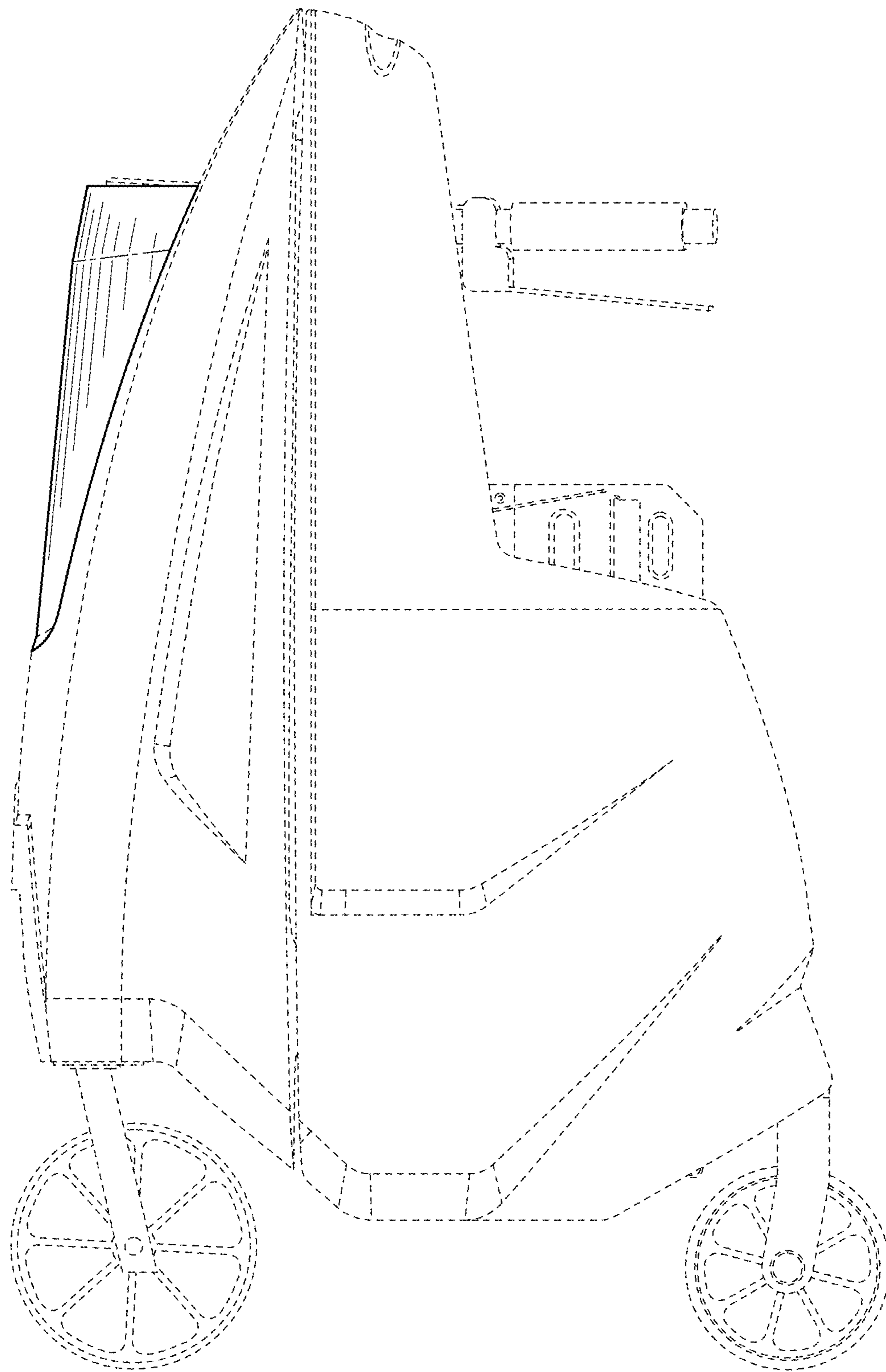


FIG. 37

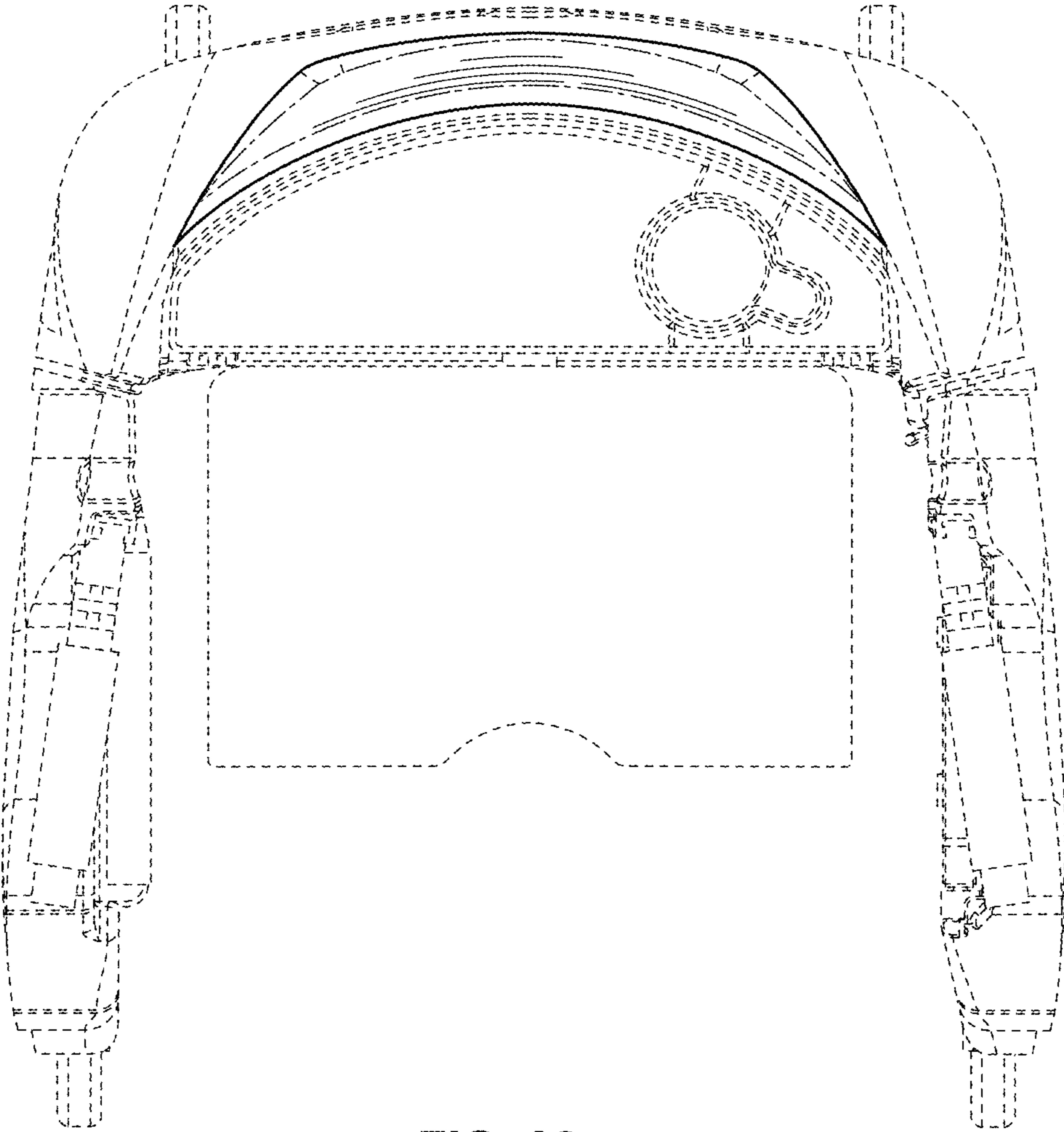


FIG. 38

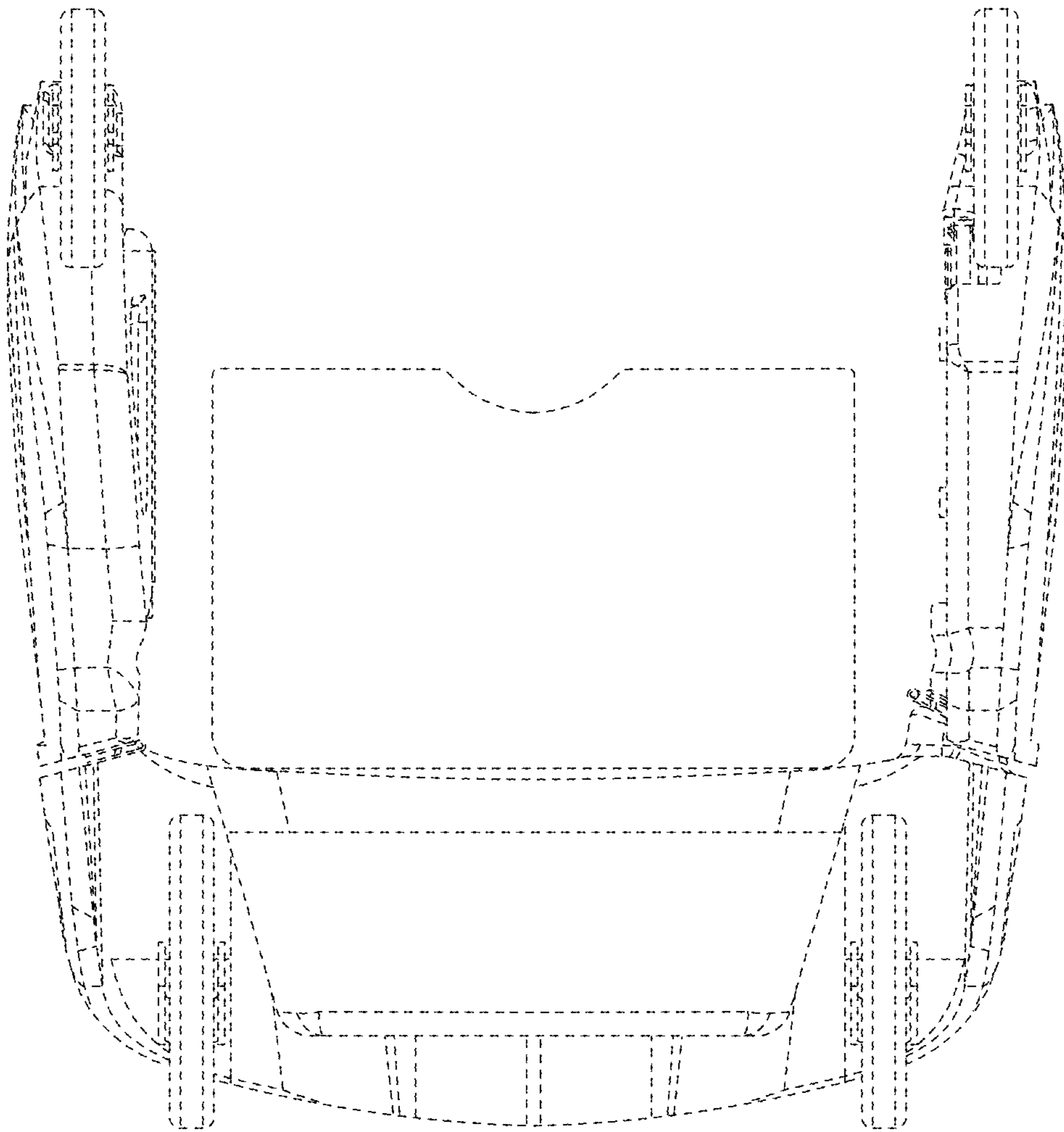


FIG. 39



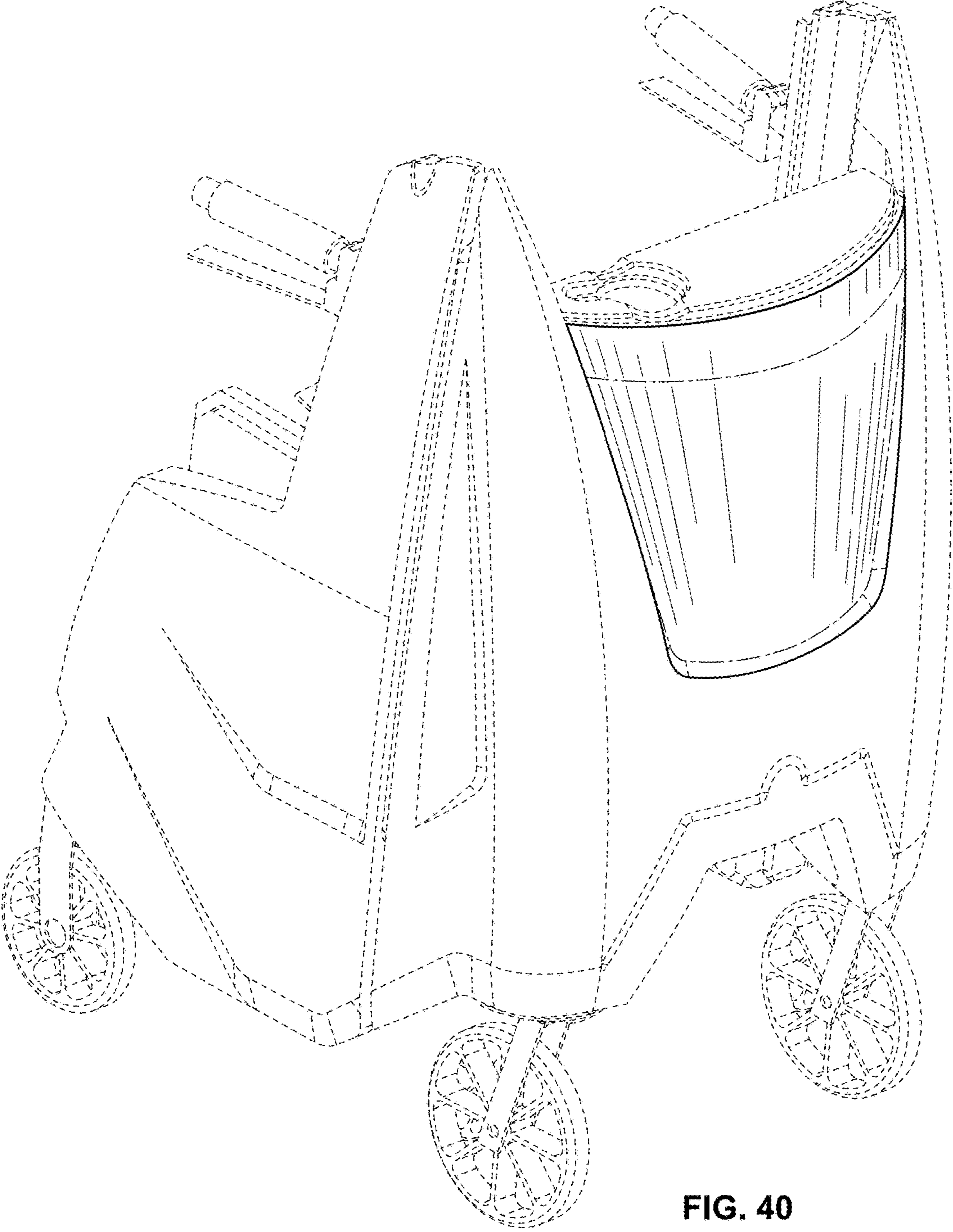


FIG. 40

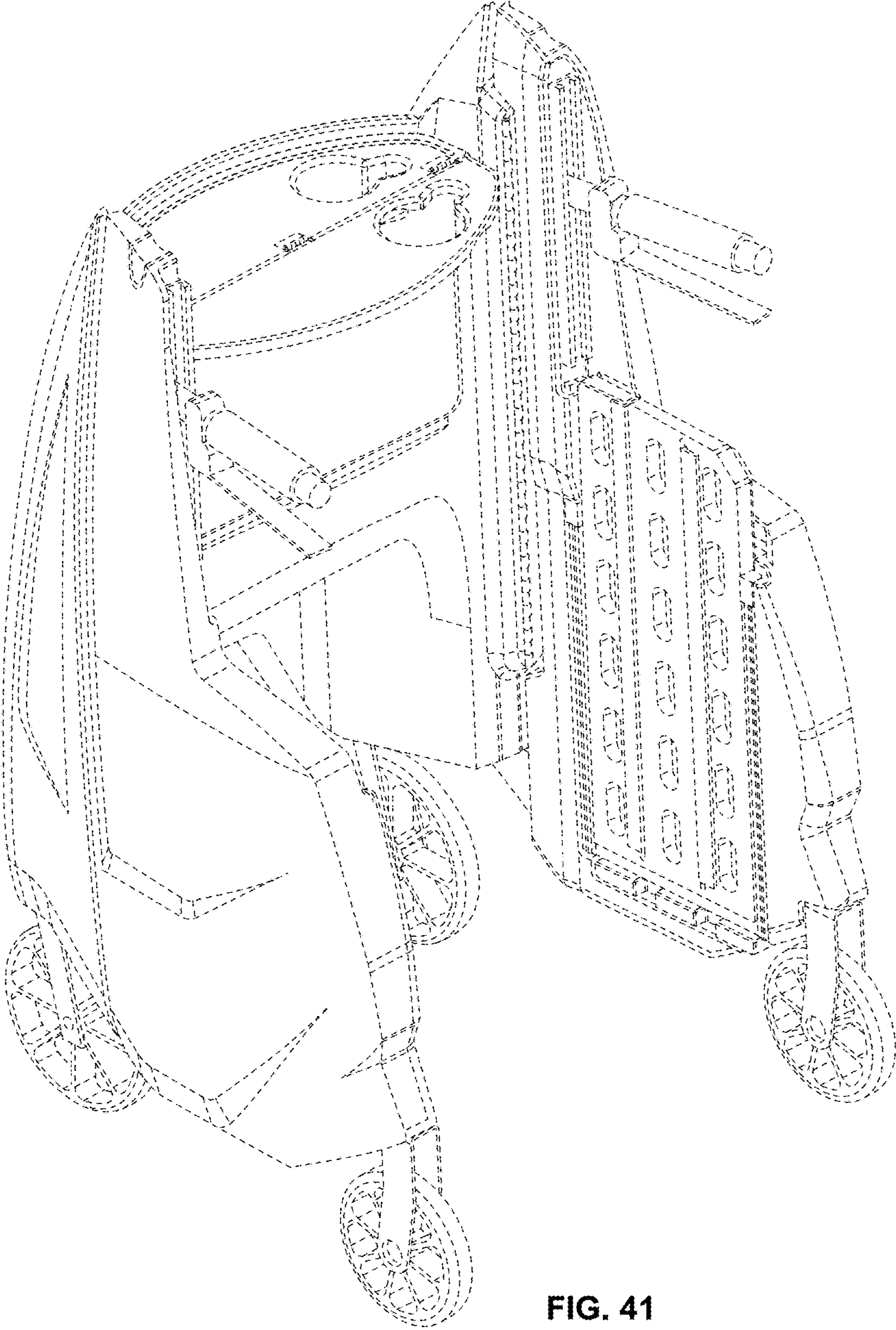


FIG. 41

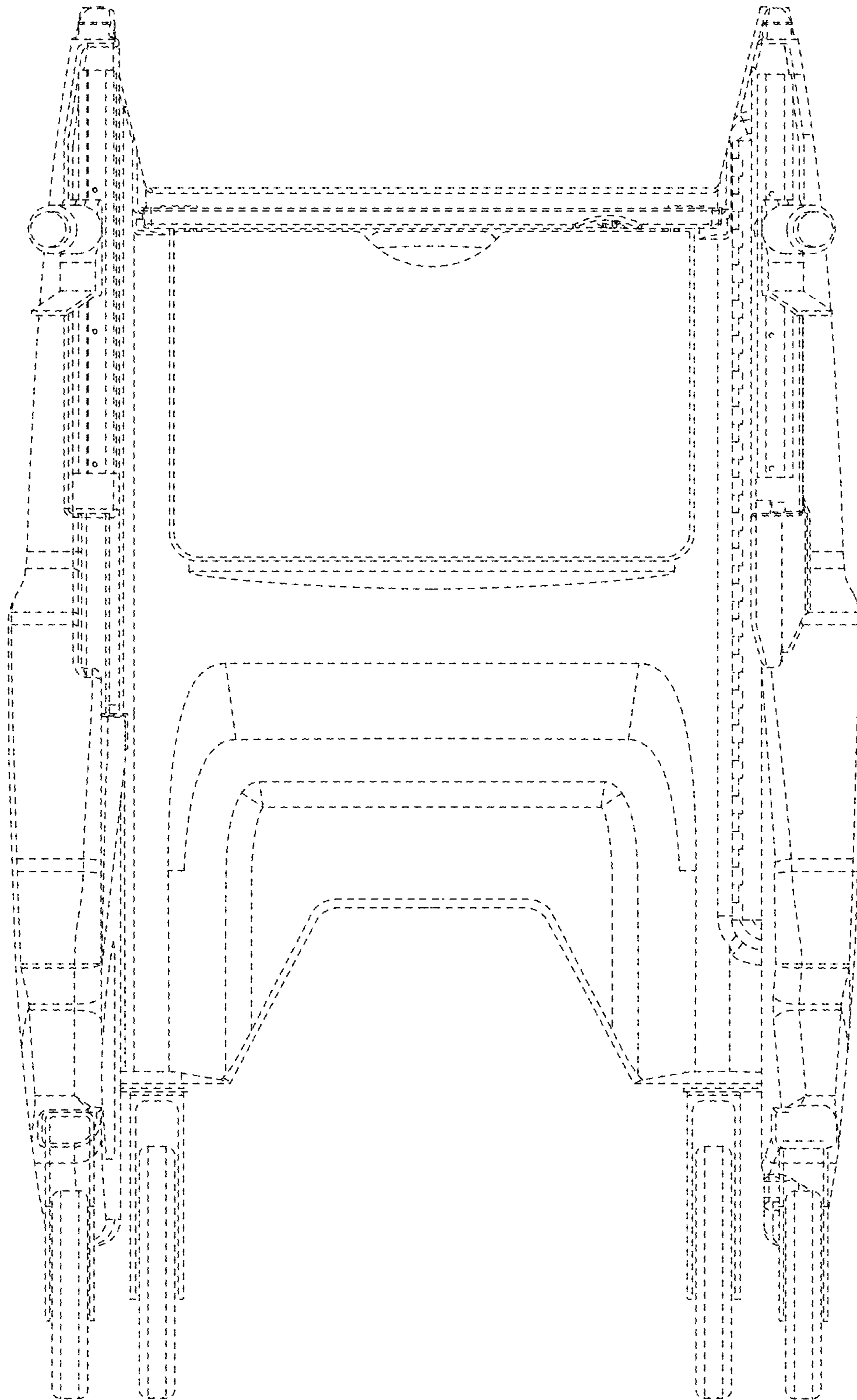


FIG. 42

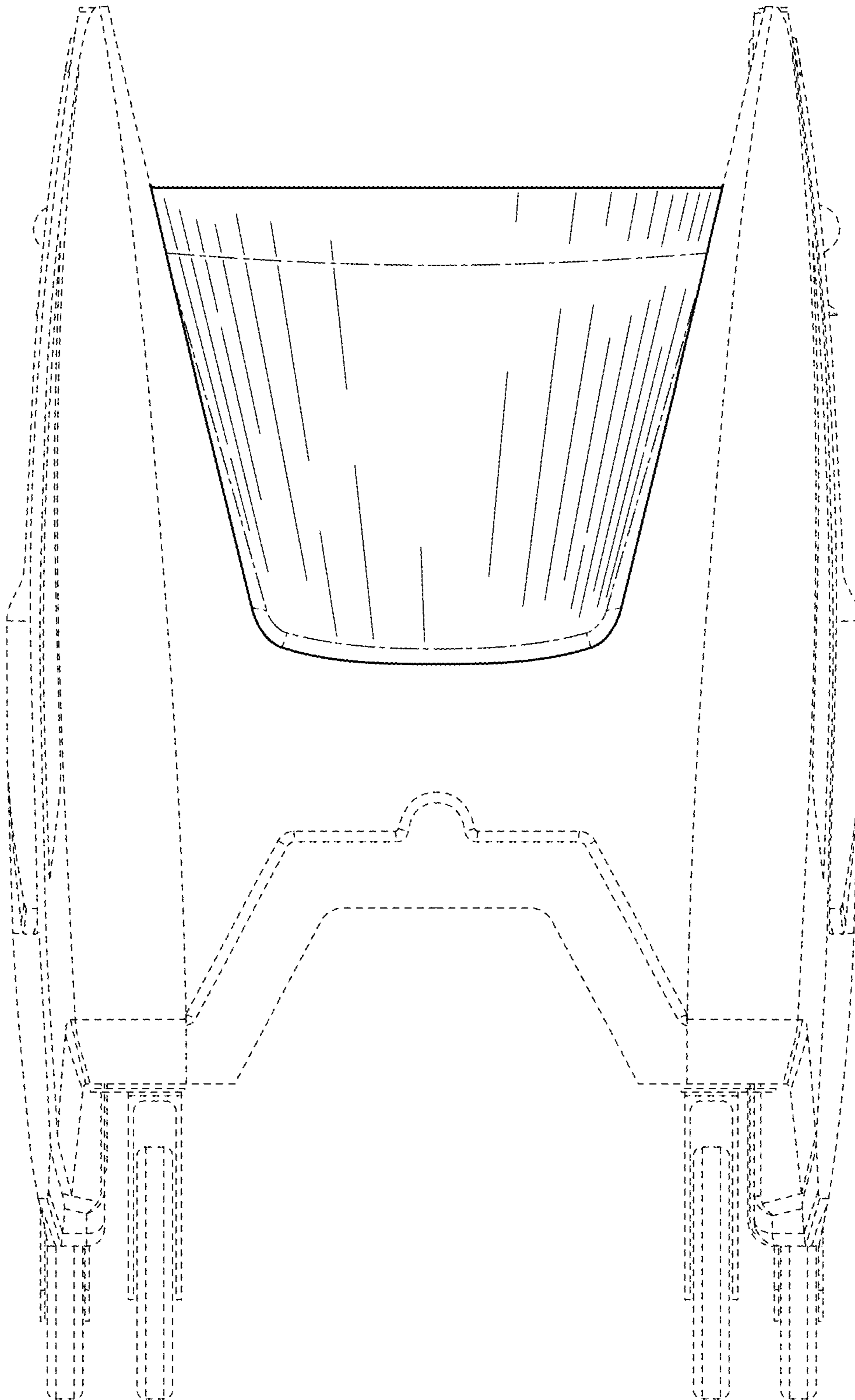


FIG. 43



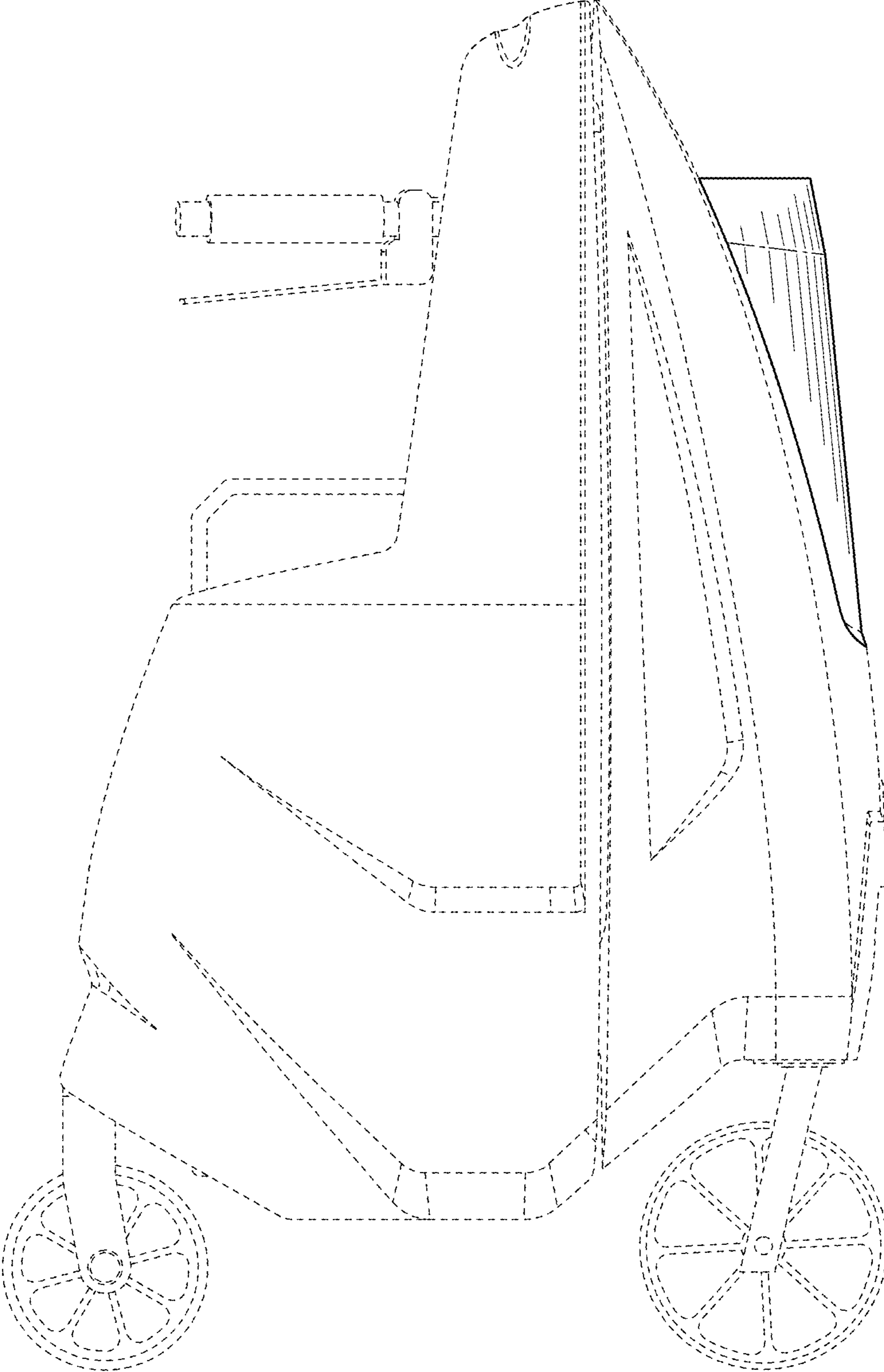


FIG. 44

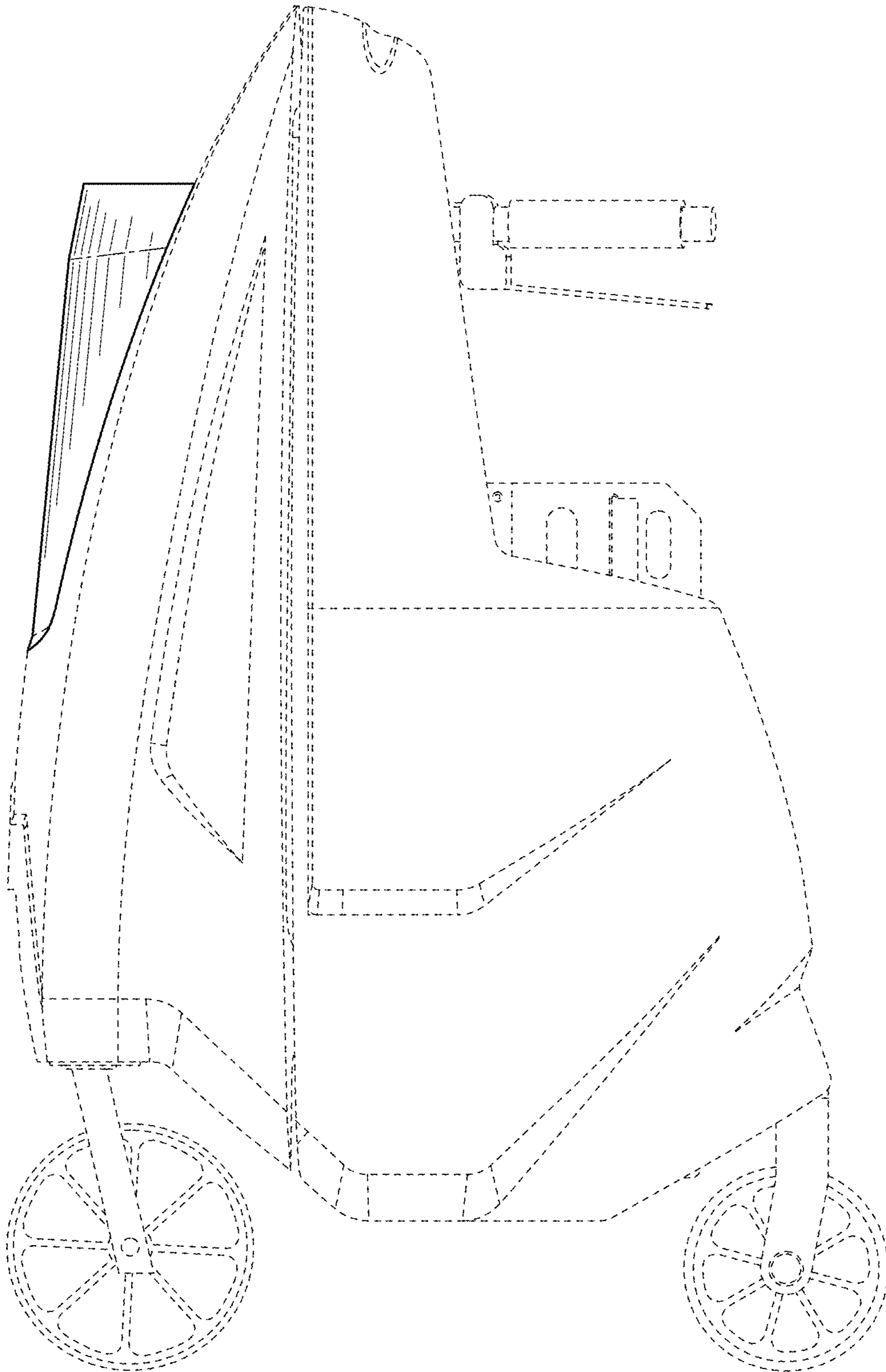


FIG. 45

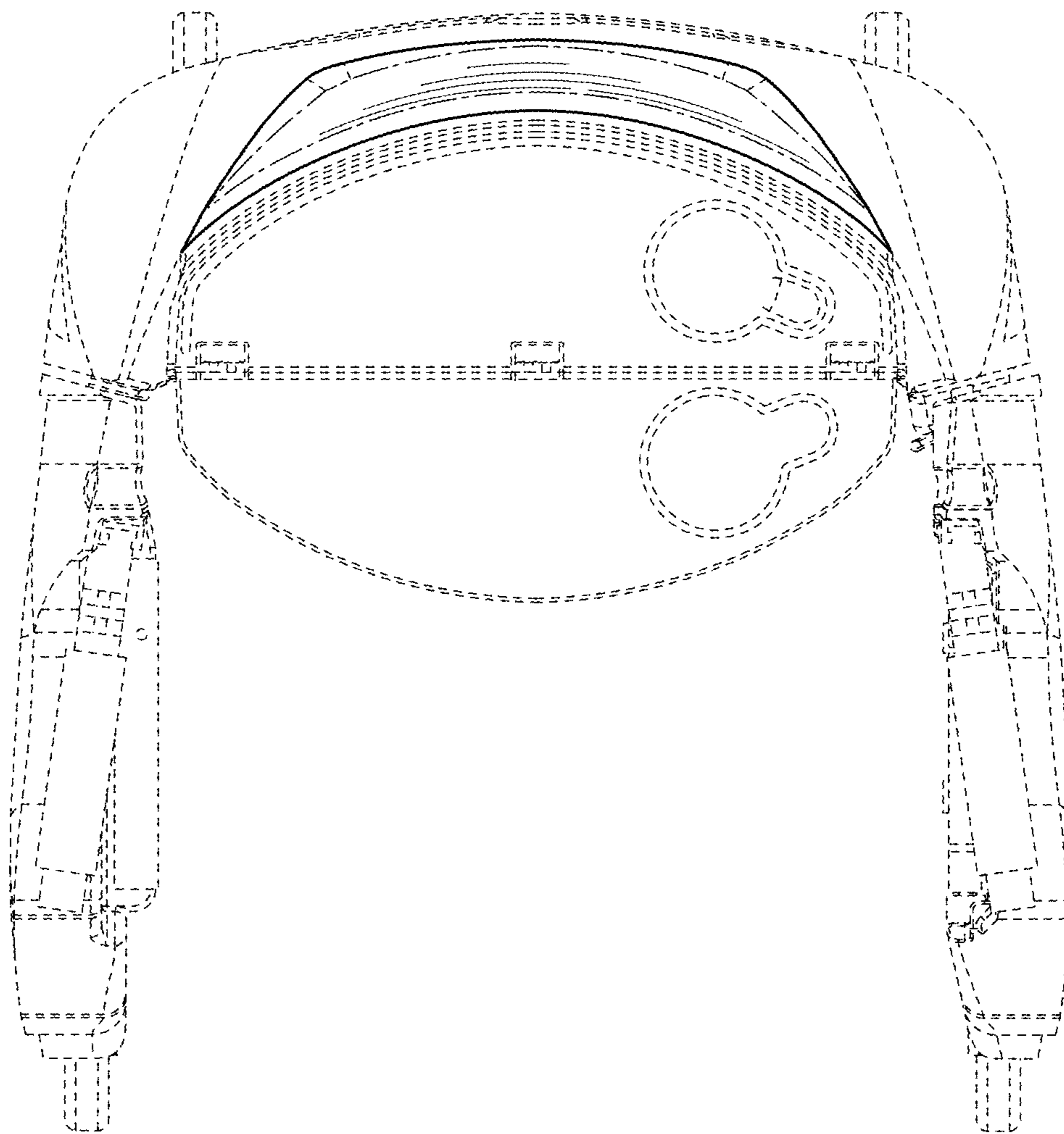


FIG. 46

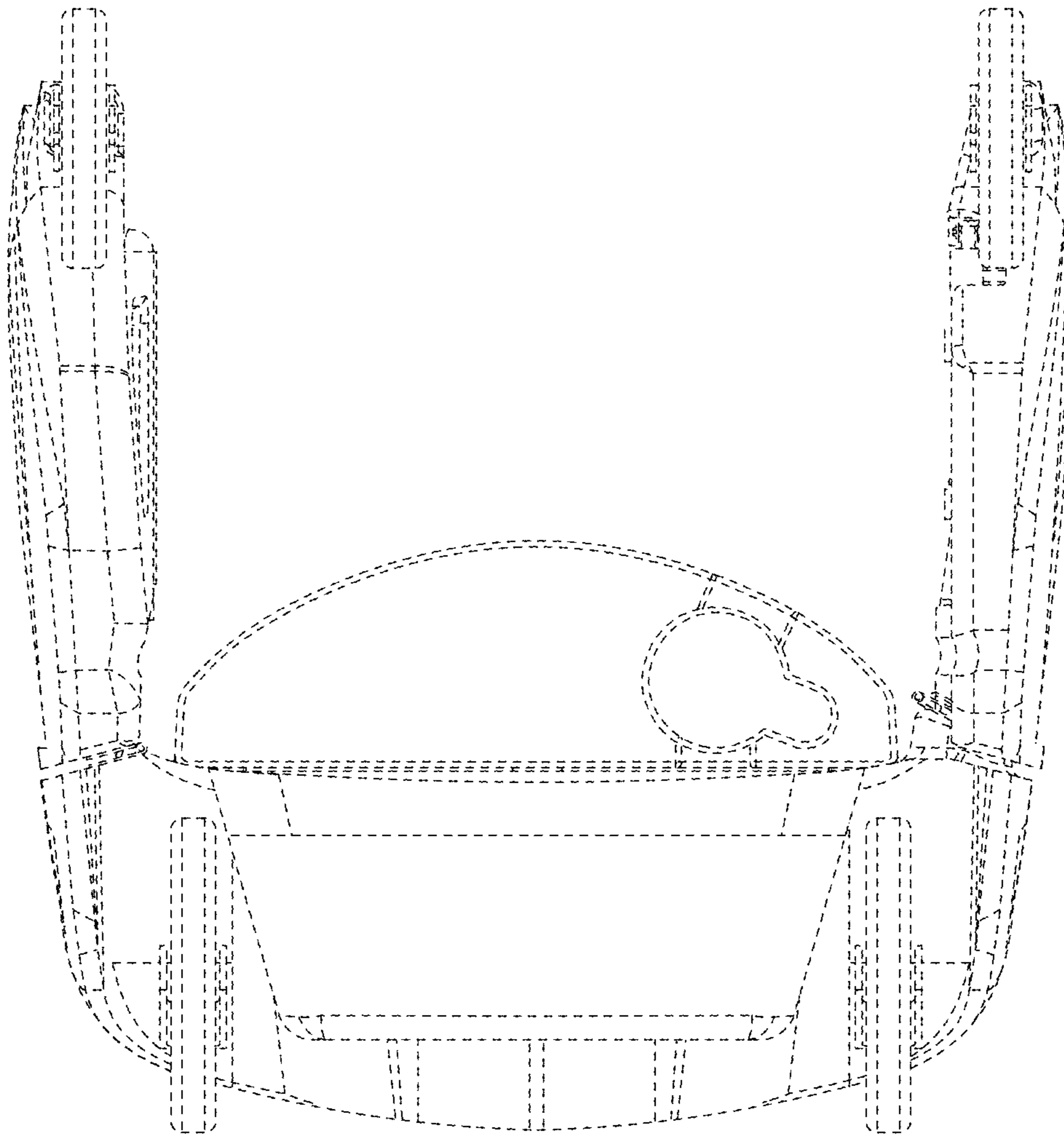


FIG. 47



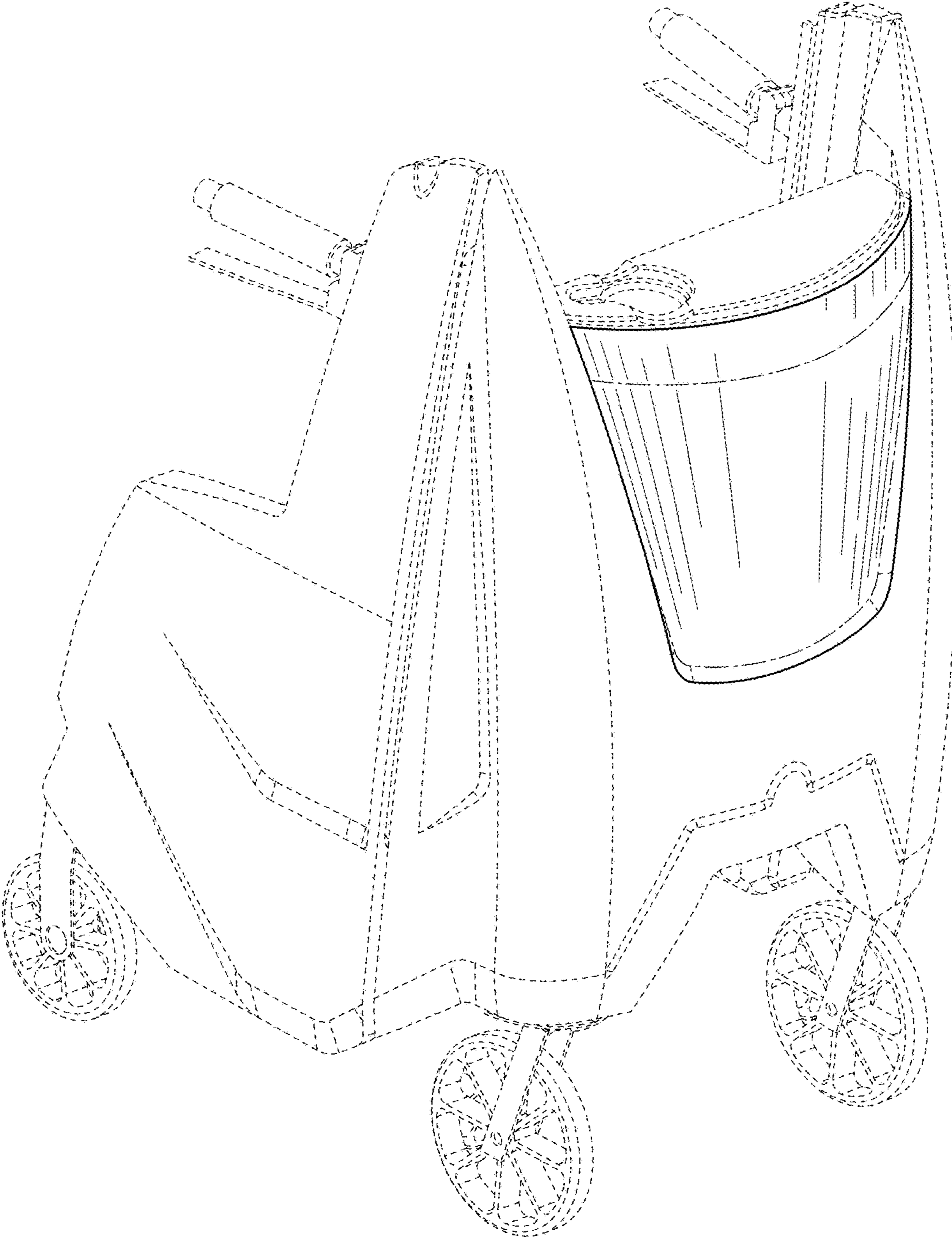


FIG. 48