



US00D811277S

(12) **United States Design Patent** (10) **Patent No.:** **US D811,277 S**
Migaszewski et al. (45) **Date of Patent:** **** Feb. 27, 2018**

(54) **PEDAL CRANK**
(71) Applicant: **Efneo Sp. z o.o.**, Warsaw (PL)
(72) Inventors: **Wiktor Migaszewski**, Warsaw (PL);
Stefan Migaszewski, Grodzisk Mazowiecki (PL); **Franciszek Migaszewski**, Warsaw (PL)
(73) Assignee: **Efneo Sp. z o.o.**, Warsaw (PL)
(**) Term: **15 Years**
(21) Appl. No.: **29/560,164**
(22) Filed: **Apr. 4, 2016**
(51) **LOC (11) Cl.** **12-11**
(52) **U.S. Cl.**
USPC **D12/123**
(58) **Field of Classification Search**
USPC D12/111, 122-127
CPC F16H 7/06; F16H 55/30; F16H 55/303;
F16F 55/12; B62M 9/105
See application file for complete search history.

D532,342 S * 11/2006 Arakawa D12/123
D553,055 S * 10/2007 Tokumoto D12/123
D555,048 S * 11/2007 Hanamura D12/123
D580,303 S * 11/2008 Okada D12/123
D600,166 S * 9/2009 Tokumoto D12/123
D607,784 S * 1/2010 Gisbert D12/123
D675,549 S * 2/2013 Noborio D12/123
D749,988 S * 2/2016 Sgreva D12/123
D751,950 S * 3/2016 Sgreva D12/123
D756,270 S * 5/2016 Sgreva D12/123
D756,271 S * 5/2016 Sgreva D12/123

* cited by examiner

Primary Examiner — Darlington Ly
(74) *Attorney, Agent, or Firm* — Stephen T. Olson;
Harness, Dickey & Pierce, P.L.C.

(57) **CLAIM**

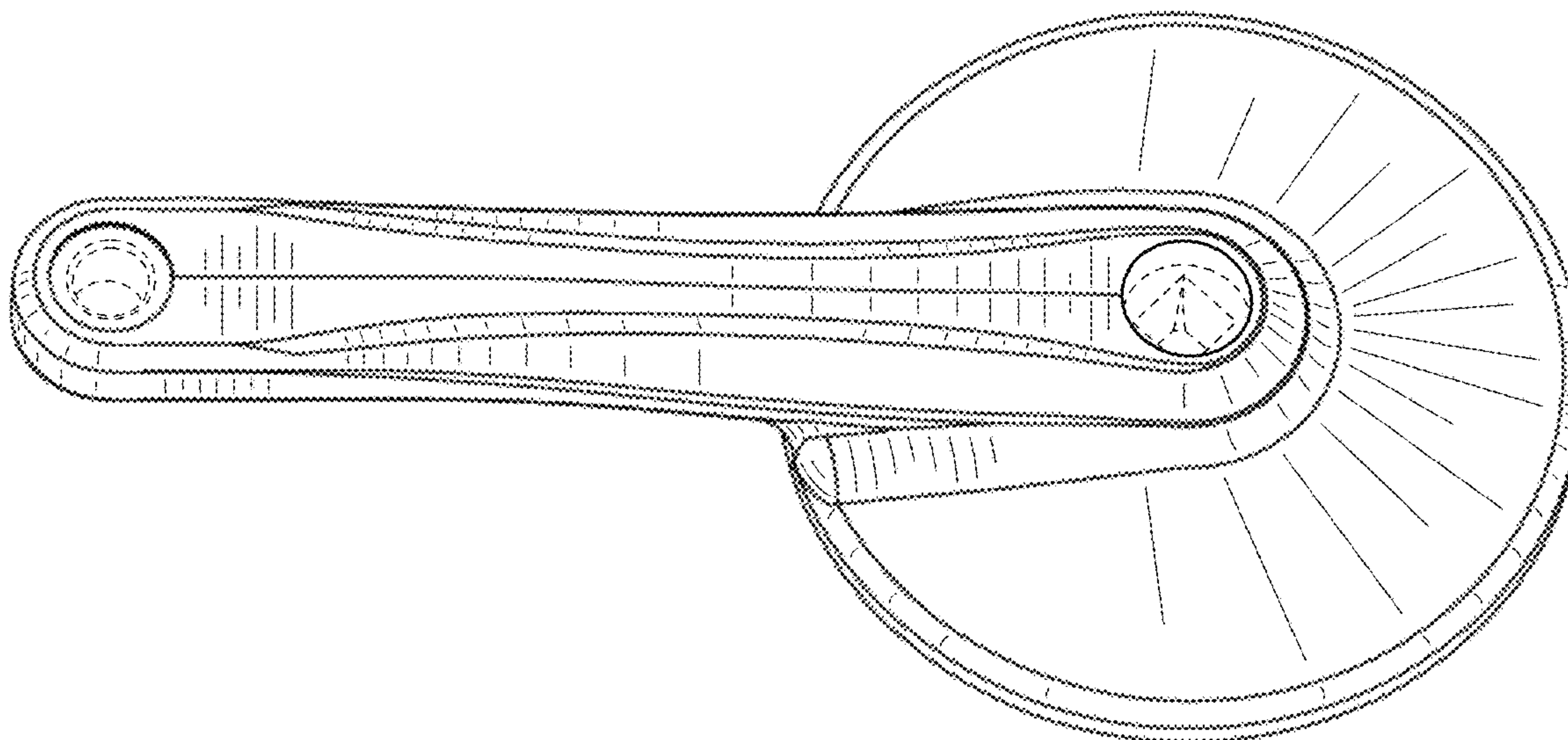
The ornamental design for a pedal crank, as shown and described.

DESCRIPTION

FIG. 1 is a front perspective view of a pedal crank showing our new design;
FIG. 2 is a left side elevation view thereof, to which the right side elevation view is a mirror image;
FIG. 3 is a top plan view thereof;
FIG. 4 is a bottom plan view thereof; and,
FIG. 5 is a front elevation view thereof.
The broken lines in the drawings illustrate portions of the pedal crank that form no part of the claimed design.

1 Claim, 3 Drawing Sheets

(56) **References Cited**
U.S. PATENT DOCUMENTS
D102,378 S * 12/1936 Kraeft D12/125
D299,221 S * 1/1989 Borromeo D12/123
D356,526 S * 3/1995 Burns D12/123
5,911,792 A * 6/1999 Jaimes B62M 1/10
74/594.1
D485,791 S * 1/2004 Mombrinie D12/123
D520,920 S * 5/2006 Okada D12/123



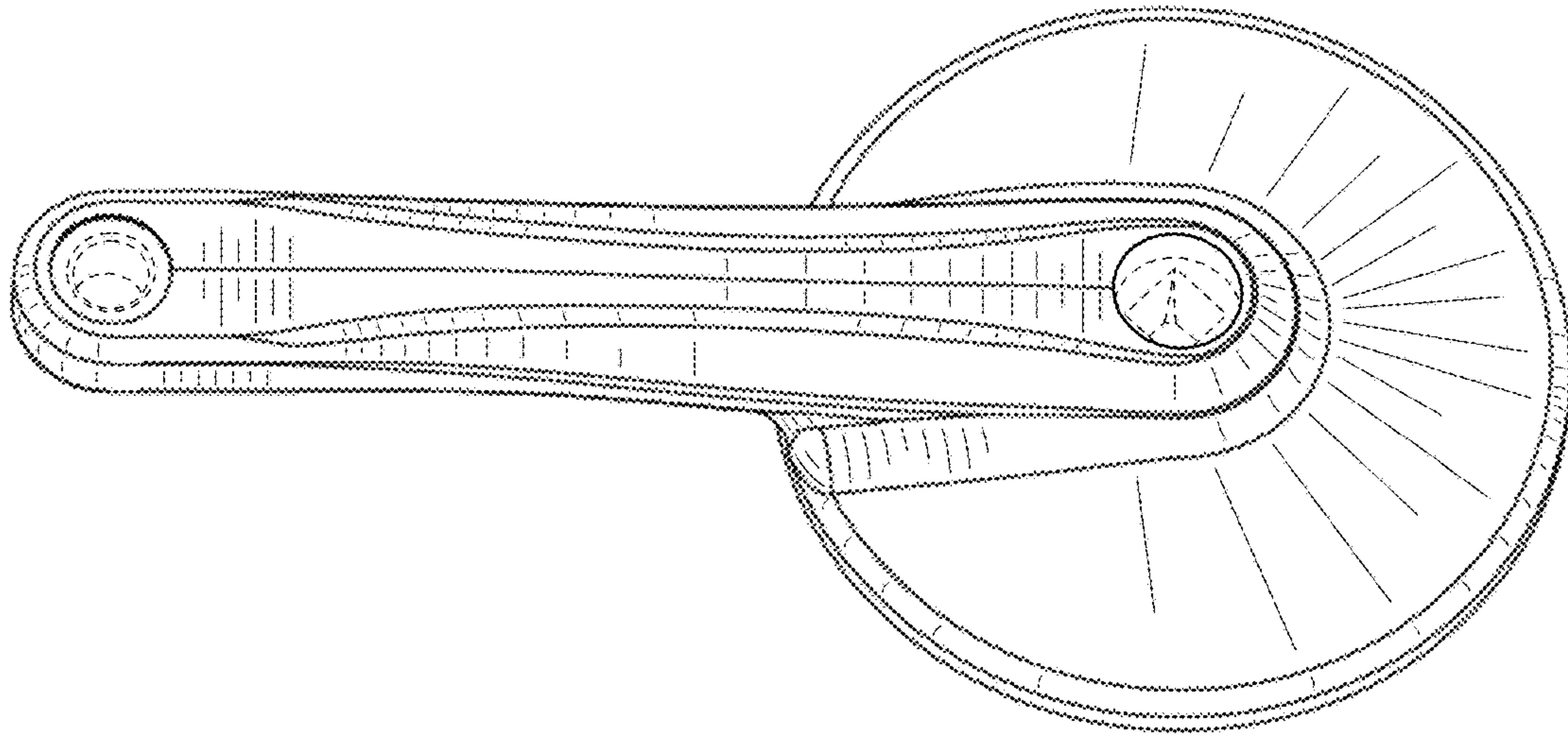


Fig. 1

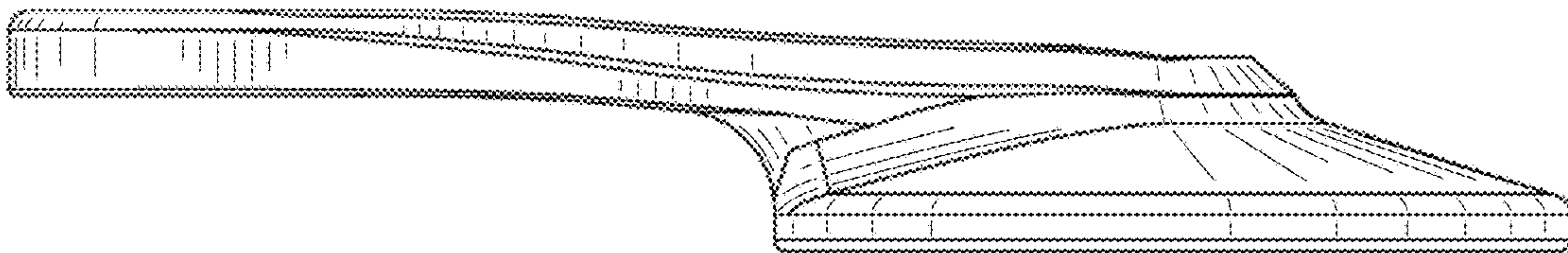


Fig. 2

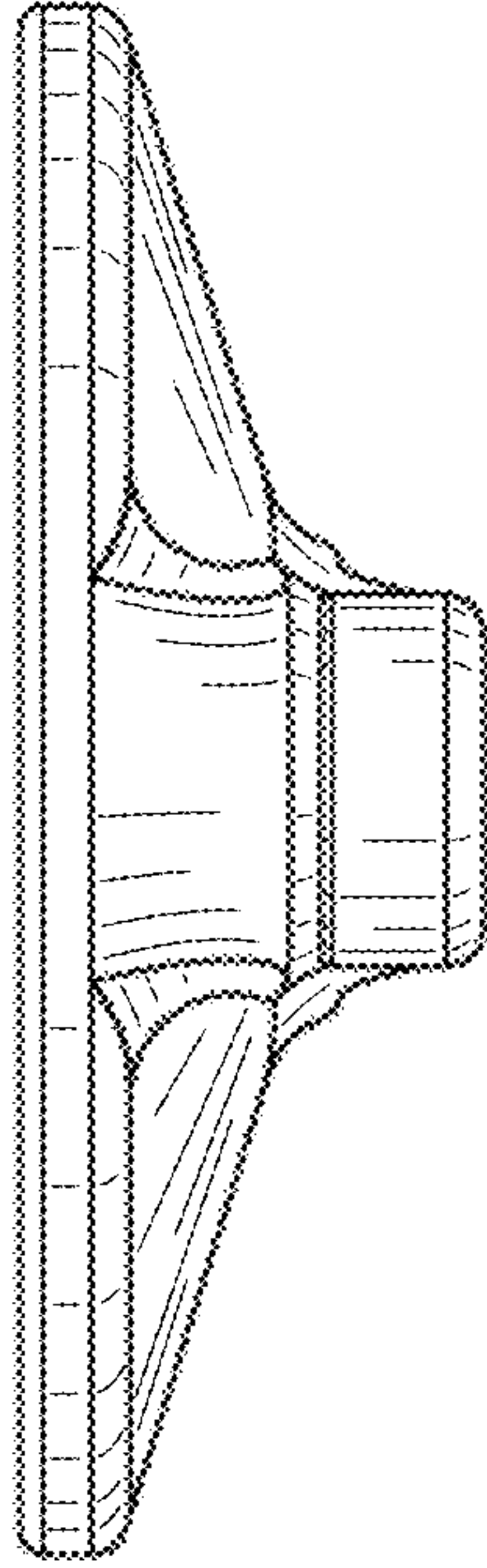


Fig. 3

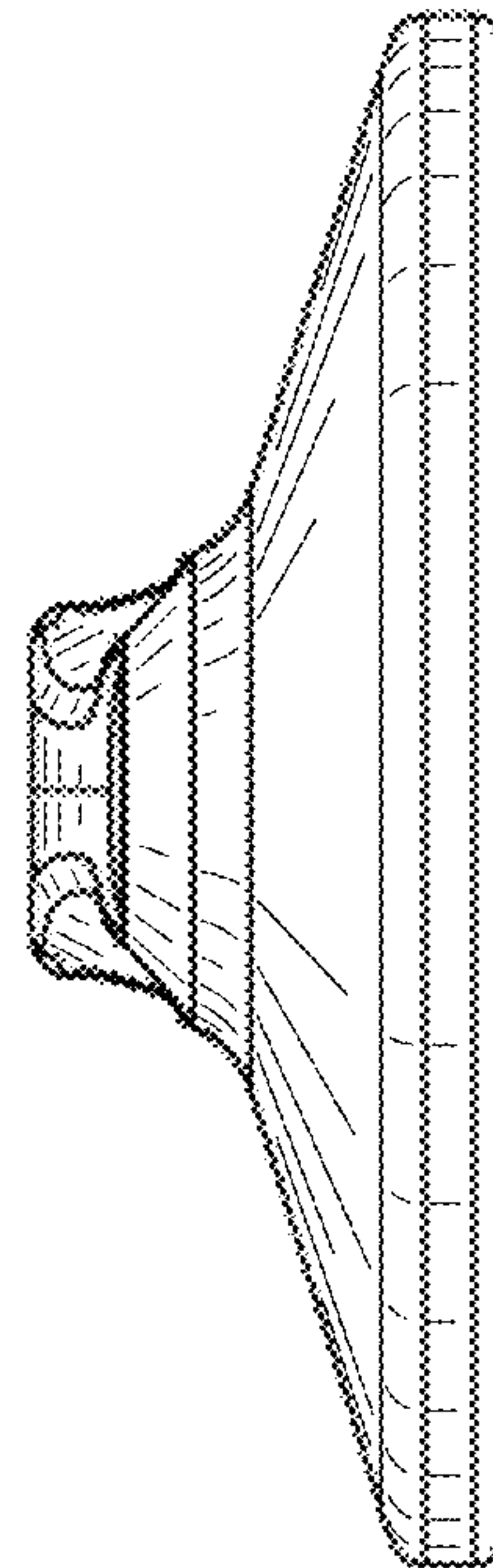


Fig. 4

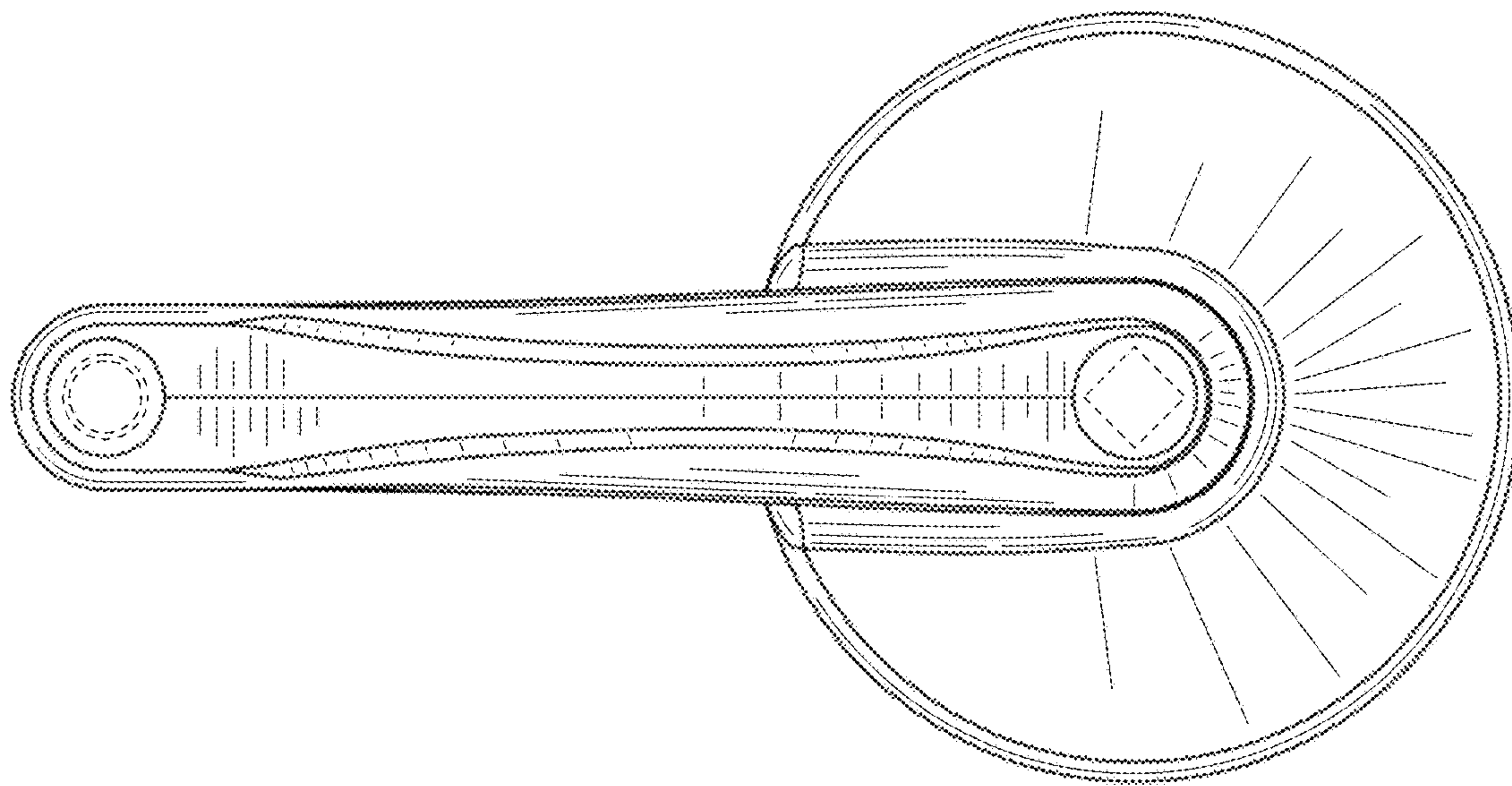


Fig. 5