



US00D811275S

(12) **United States Design Patent** (10) **Patent No.:** **US D811,275 S**  
**Hendey** (45) **Date of Patent:** **\*\* Feb. 27, 2018**

(54) **COMBINATION FRAME FOR AN ELECTRIC BICYCLE AND HOUSING FOR A MOTOR AND BATTERIES**

(71) Applicant: **Matthew Hendey**, Indianapolis, IN (US)

(72) Inventor: **Matthew Hendey**, Indianapolis, IN (US)

(\*\*) Term: **15 Years**

(21) Appl. No.: **29/560,385**

(22) Filed: **Apr. 6, 2016**

(51) **LOC (11) Cl.** ..... **12-11**

(52) **U.S. Cl.**  
USPC ..... **D12/111**

(58) **Field of Classification Search**  
USPC ..... D12/111, 117, 406, 407  
CPC . B62K 3/00; B62K 3/005; B62K 9/00; B62K 19/00; B62K 19/02; B62K 19/04; B62K 19/06; B62K 19/16

See application file for complete search history.

(56) **References Cited**

U.S. PATENT DOCUMENTS

D294,338 S *	2/1988	Yamada	.....	D12/110
5,934,401 A *	8/1999	Mayer	.....	B62M 6/60 180/206.1
D434,349 S *	11/2000	Currie	.....	D12/111
6,148,944 A *	11/2000	Adomi	.....	B62M 6/90 180/206.4
7,040,440 B2 *	5/2006	Kurita	.....	B62M 6/60 180/206.5
D548,141 S *	8/2007	Pizzi	.....	D12/111
D551,130 S *	9/2007	Pizzi	.....	D12/111
D614,084 S *	4/2010	Tanaka	.....	D12/111

D620,400 S *	7/2010	Haller	.....	D12/111
D620,401 S *	7/2010	Haller	.....	D12/111
D621,302 S *	8/2010	Tanaka	.....	D12/111
D621,303 S *	8/2010	Tanaka	.....	D12/111
D720,260 S *	12/2014	Yoshida	.....	D12/111
D727,214 S *	4/2015	Yang	.....	D12/111
D727,215 S *	4/2015	Yang	.....	D12/111
D730,779 S *	6/2015	Arbour	.....	D12/111
D774,971 S *	12/2016	Lambri	.....	D12/111
D774,972 S *	12/2016	Lambri	.....	D12/111
2011/0240391 A1 *	10/2011	Bonneville	.....	B62M 6/90 180/220

\* cited by examiner

*Primary Examiner* — Darlington Ly

(74) *Attorney, Agent, or Firm* — Roberts IP Law; John Roberts

(57) **CLAIM**

The ornamental design for a combination frame for an electric bicycle and housing for a motor and batteries, as shown and described.

**DESCRIPTION**

FIG. 1 is a front perspective view of a combination frame for an electric bicycle and housing for a motor and batteries, showing my new design;

FIG. 2 is a right side elevation view thereof;

FIG. 3 is a left side elevation view thereof;

FIG. 4 is a front elevation view thereof;

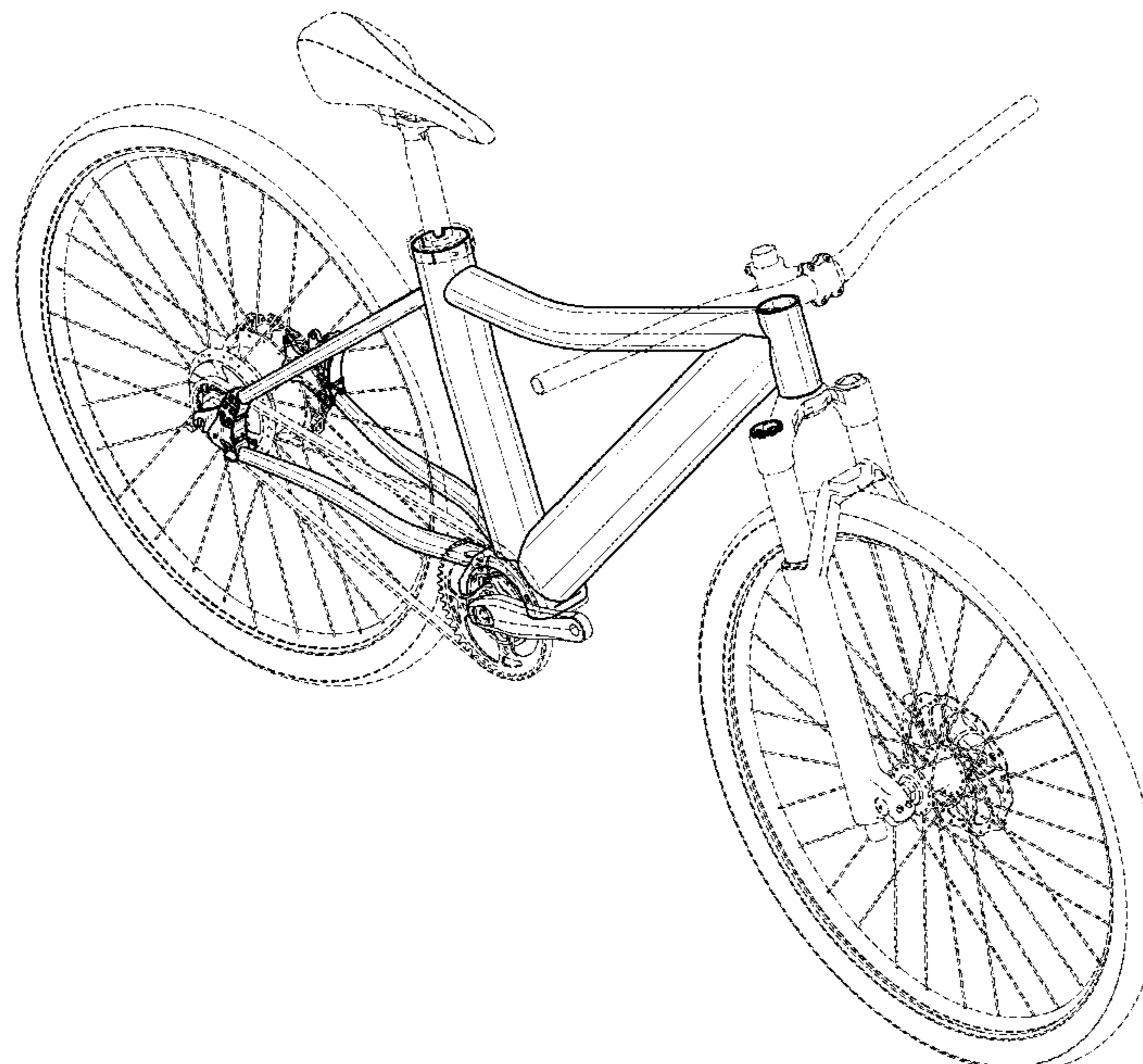
FIG. 5 is a top plan view thereof;

FIG. 6 is a rear elevation view thereof; and,

FIG. 7 is a bottom plan view thereof.

The broken line showing of the bicycle components is provided for the purpose of illustrating environmental structure and do not for part of the claimed design.

**1 Claim, 7 Drawing Sheets**



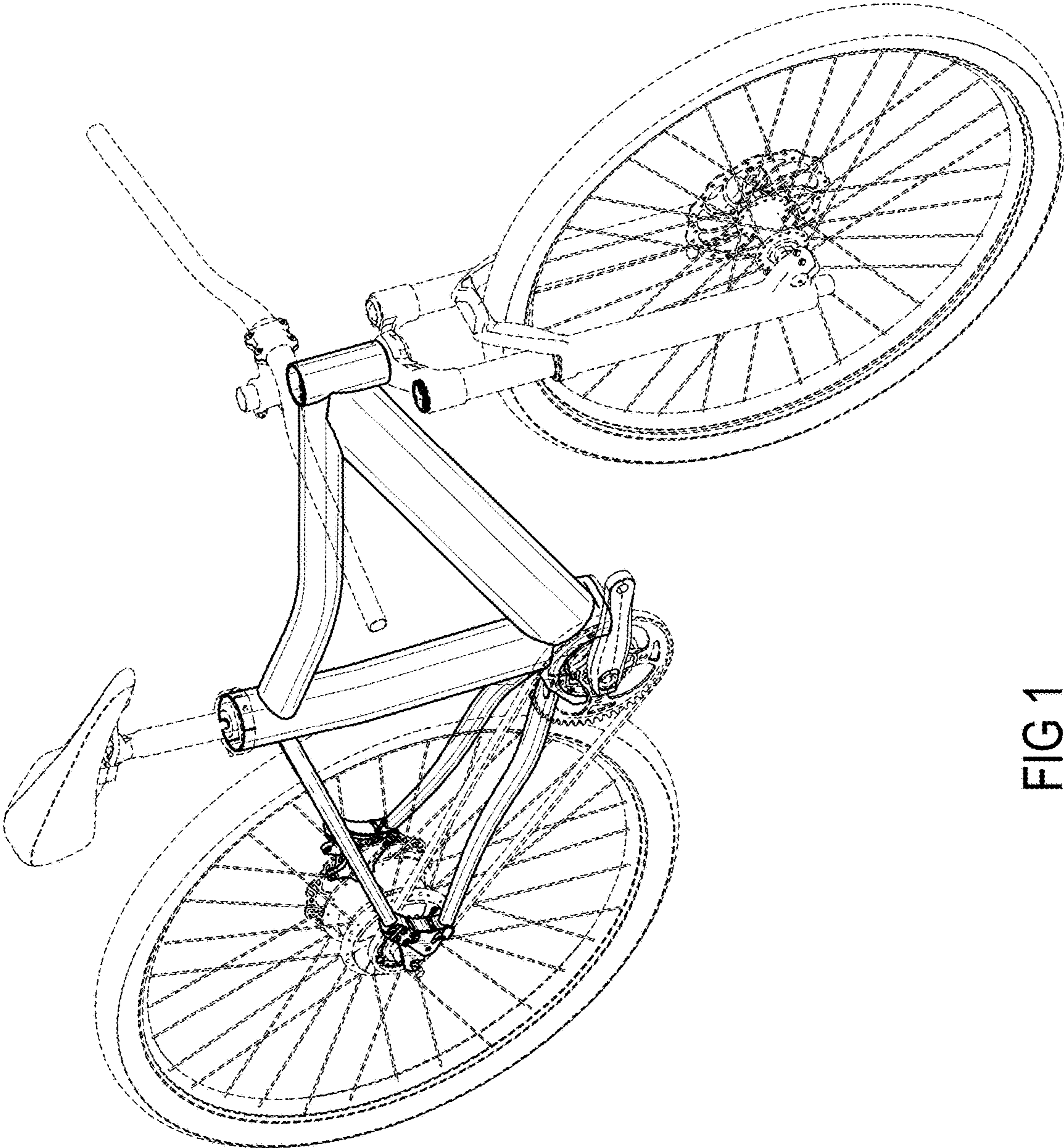


FIG 1



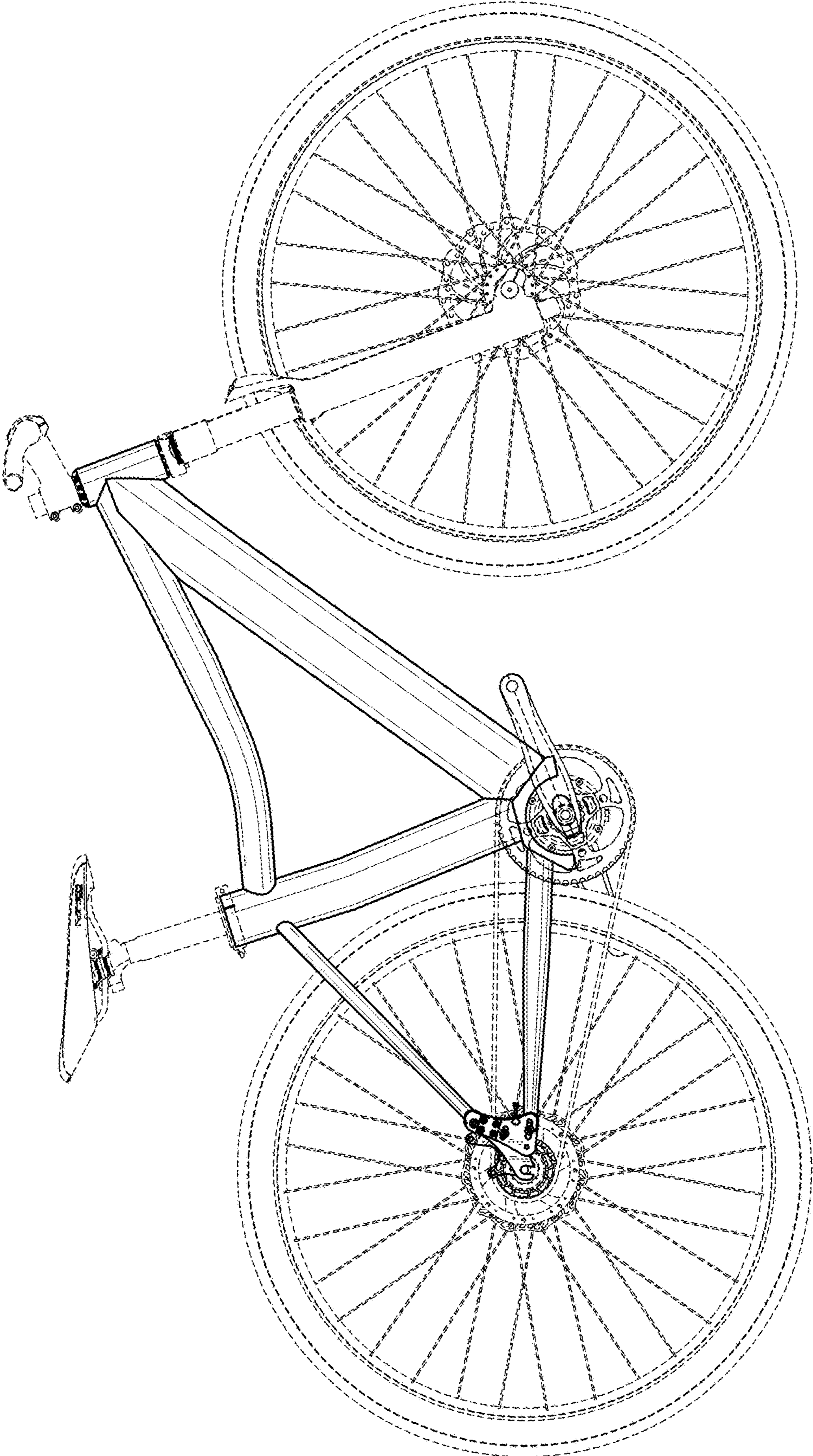


FIG 2

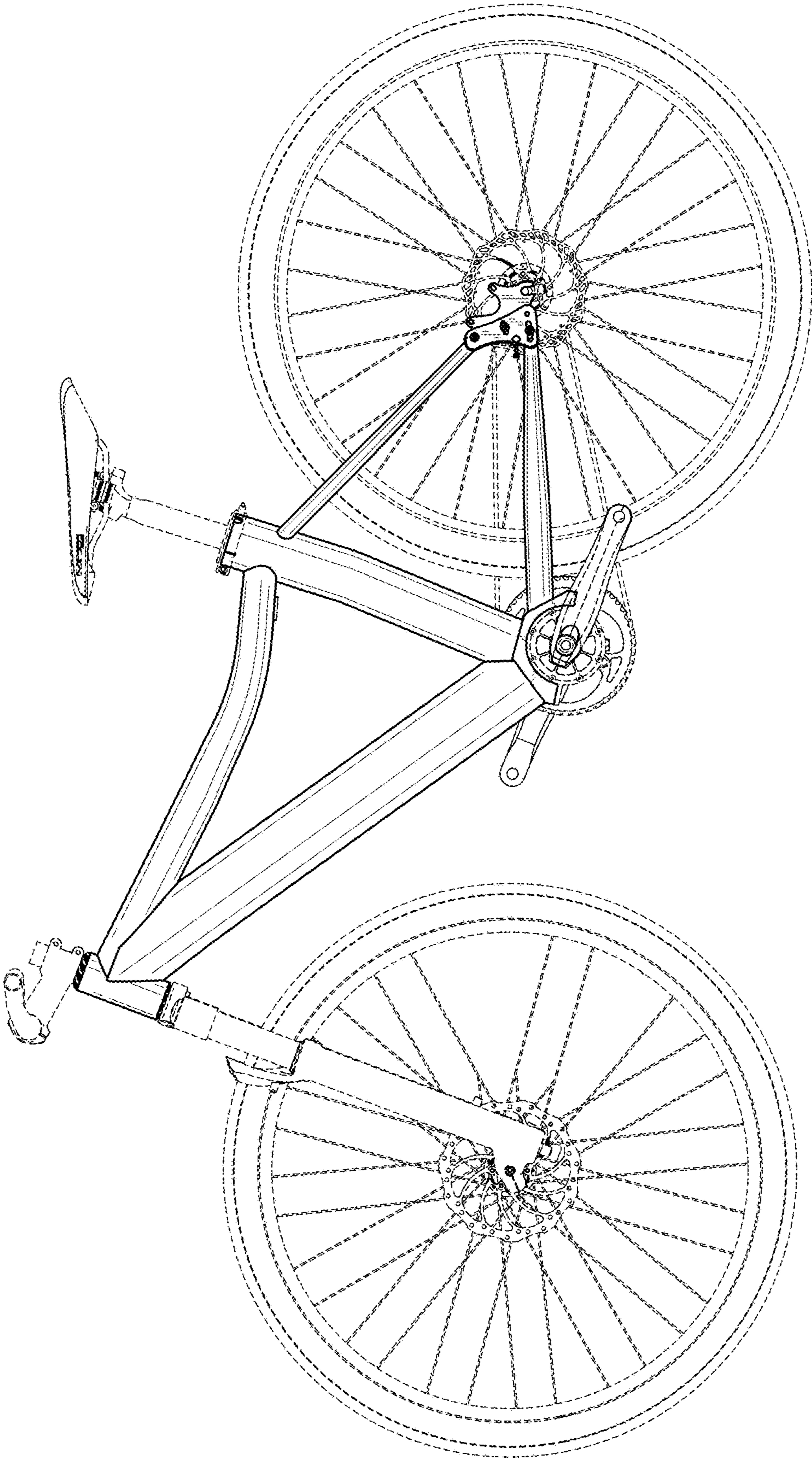


FIG 3



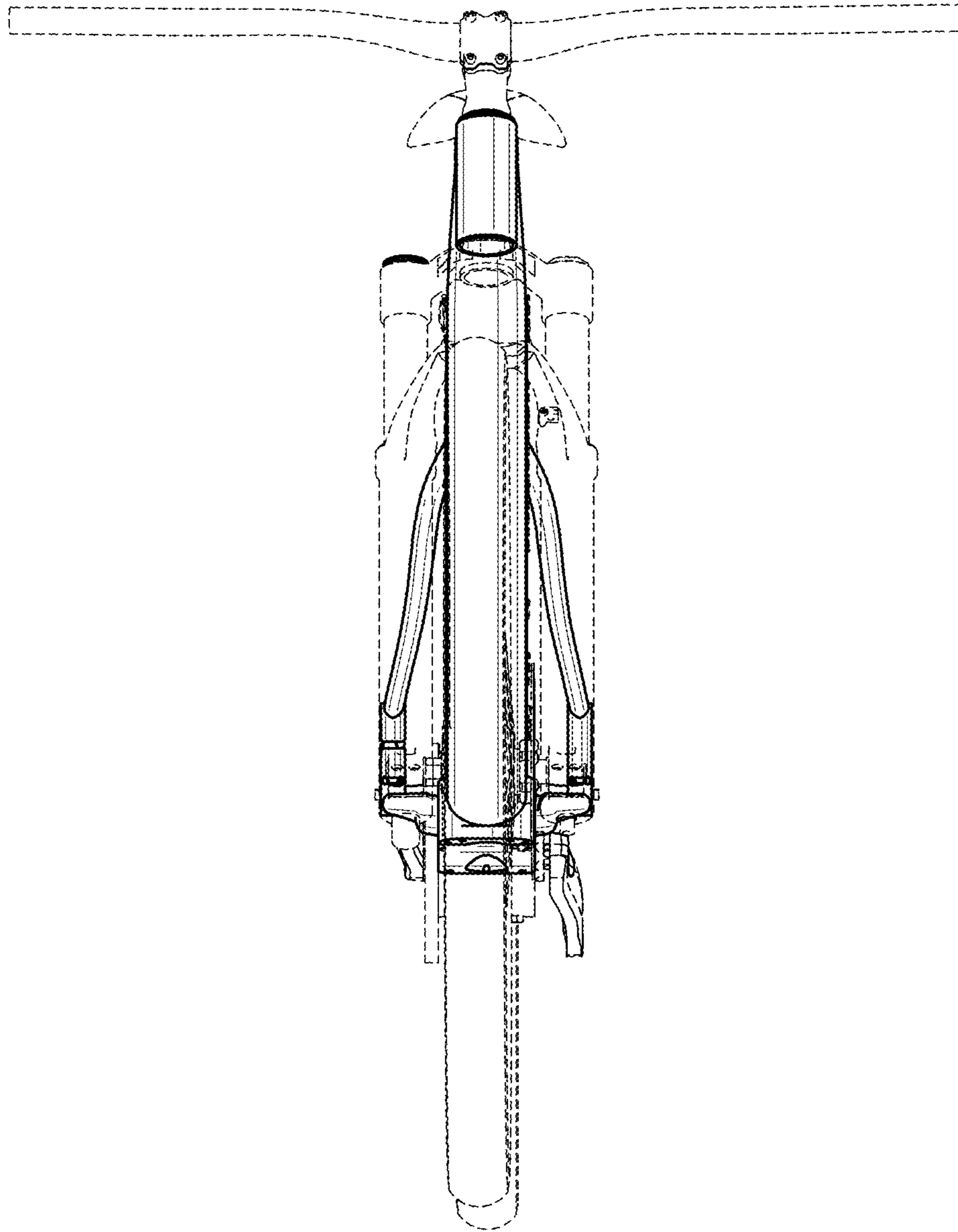


FIG 4

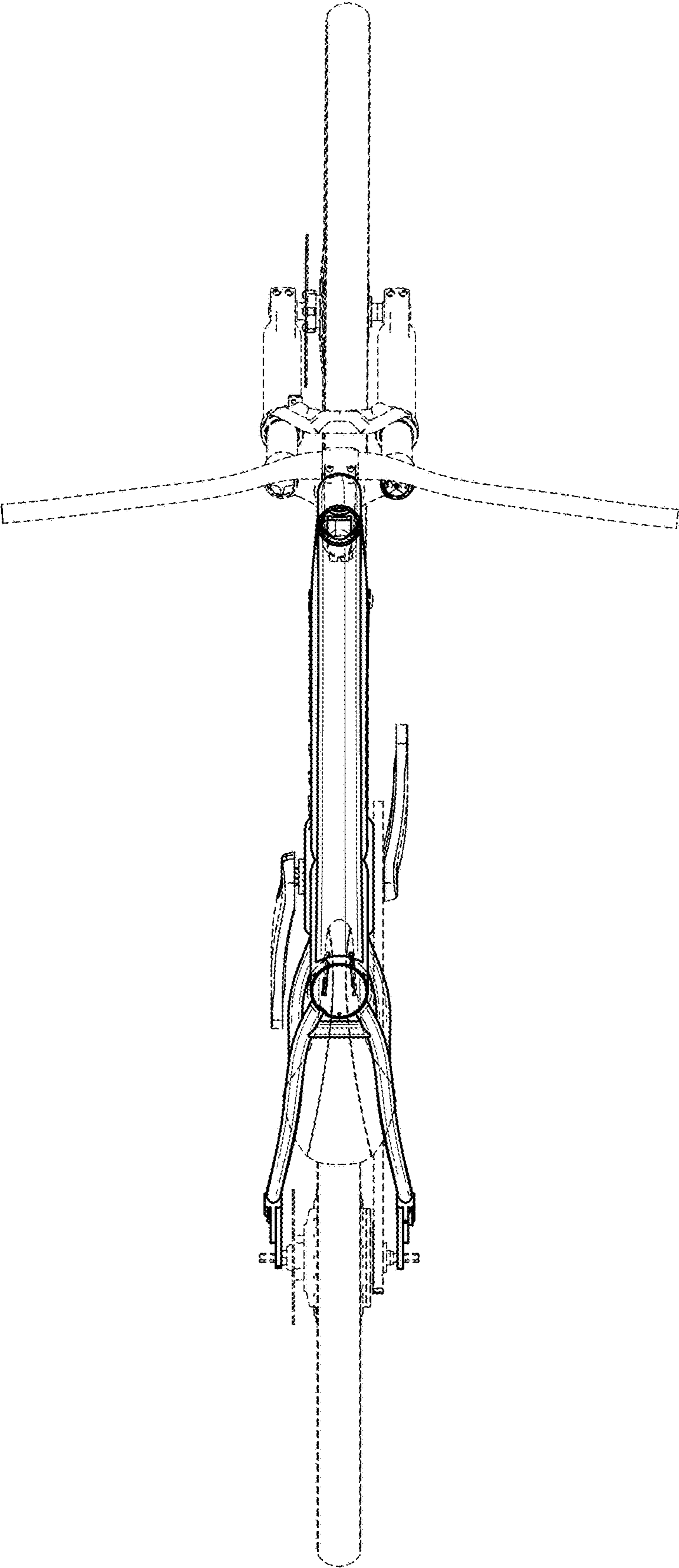


FIG 5

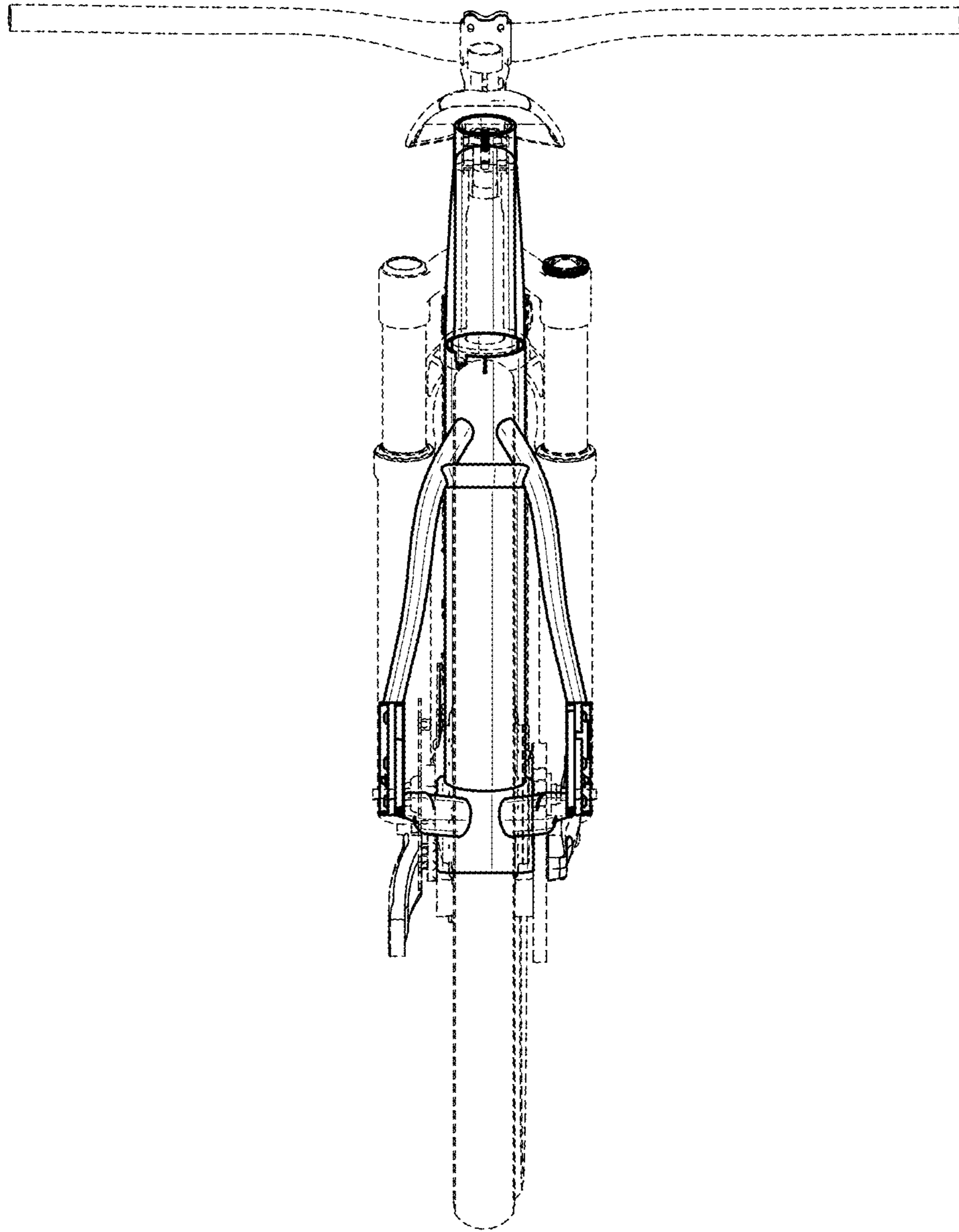


FIG 6

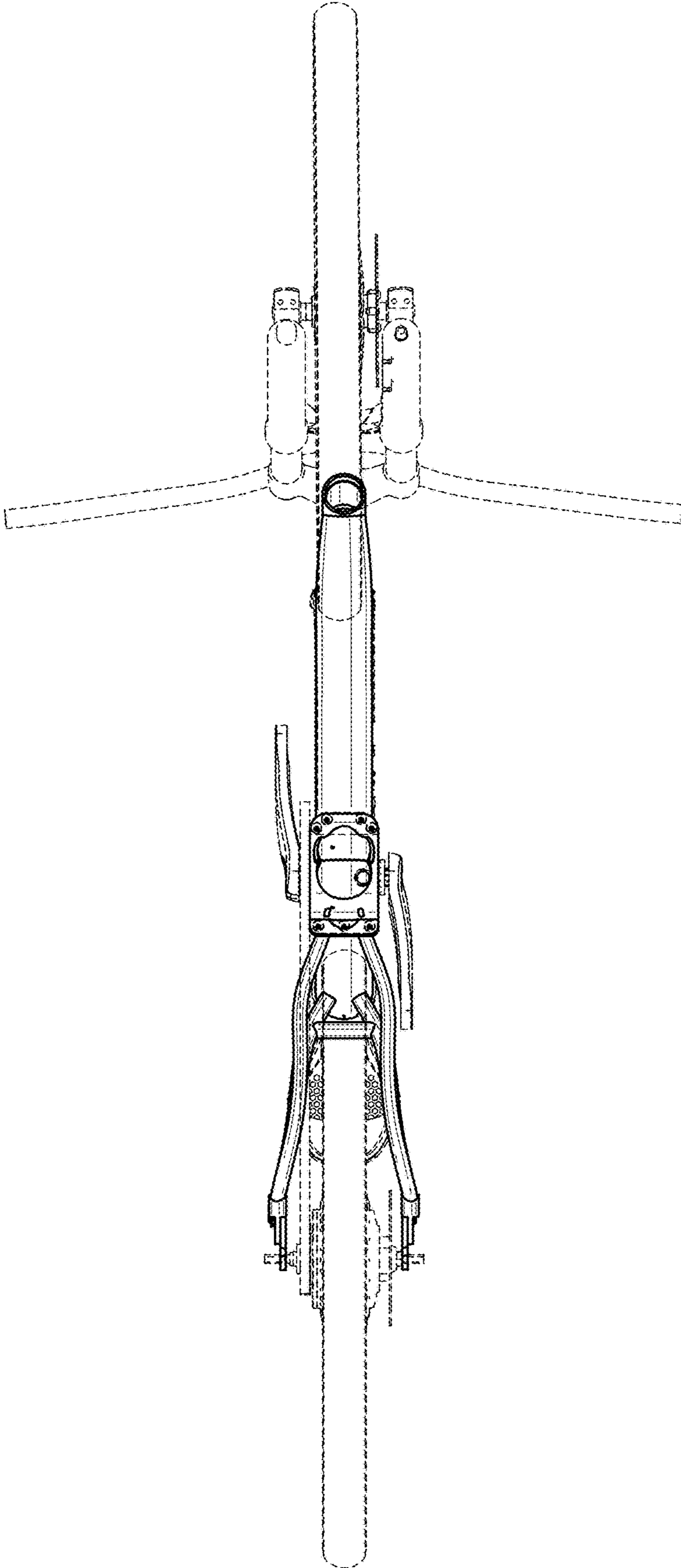


FIG 7